

Installation Instructions

Gas Dryer

*Keep instructions for future reference.
Be sure manual stays with dryer.*

*Questions?
See the User's Guide or
call*

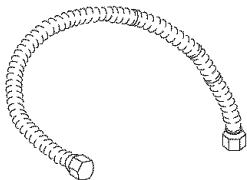
1-800-688-9900 USA

*1-800-688-2002
Canada*

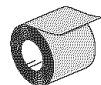
*1-800-688-2080
TTY USA Only*

You'll Need a Few Things Before You Begin

Stainless Steel
or Hard Pipe
Gas Connector



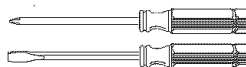
Duct Tape



Wrench



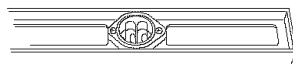
Screw
Drivers



Teflon Tape or
Joint Compound



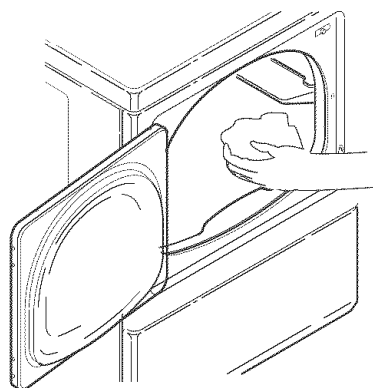
Level



1 REMOVE PARTS AND CLEAN DRYER DRUM

Wipe drum with clean rag and soap diluted in warm water to remove any oil used in manufacturing. Make a paste of laundry detergent and clean drum if necessary.

To reverse the direction that the door opens, see the User's Guide.



Optional Kits

Kits are available at extra cost through your Maytag dealer or Maytag Customer Assistance at 1-800-688-9900 USA 1-800-688-2002 Canada 1-800-688-2080 TTY USA Only

Directional Exhaust Kit

DK1 Sales Accessory (Directional Exhaust Kit #528P3).

Flexible Metal Vent Kit

Exhausting the dryer in hard-to-reach locations can be accomplished by installing Kit # 521P3.

Manufactured (Mobile) Home Installation Kit

Manufactured home anchor Kit #526P3.

Propane Gas Conversion Kit

LPK1 Sales Accessory (L.P./ Propane Kit # 649P3).

2 CONNECT DRYER TO EXHAUST SYSTEM

Secure all joints with clamps or duct tape. **DO NOT** use sheet metal screws or other fastening means which extend into the duct to attach exhaust pipe joints. They could catch lint and reduce the efficiency of the exhaust system.

IMPORTANT: Keep exhaust duct as short as possible.

Be sure old ducts are clean before installing your new dryer.

To prevent backdraft when dryer is not in operation, outer end of exhaust pipe must have a weather hood with hinged dampers (obtain locally).

Weather hood should be installed at least 12" (30.5 cm) above the ground. Higher clearances may be necessary in areas where heavy snowfall can occur.

No extra system length consideration is necessary when exhausting through the roof. Use **MAXIMUM EXHAUST LENGTH** table to calculate system length. Use a roof cap that provides air flow equal to weather hood.

Exhaust Directions

Dryer can be exhausted to the outdoors through the back, right, or bottom of the dryer. **Gas dryers cannot be vented out the left side because of the burner housing.**

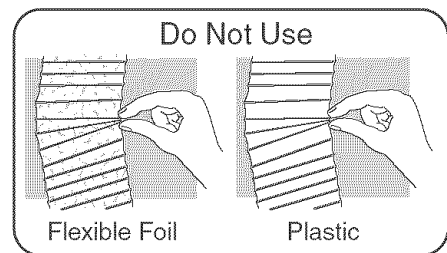
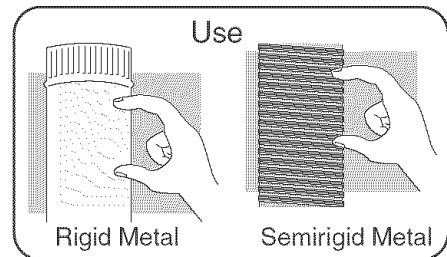
Dryer is shipped from factory ready for rear exhaust. No kits required.

To exhaust dryer through sides or bottom, install a DK1 Sales Accessory (Directional Exhaust Kit 528P3). Available as optional equipment at extra cost.

Exhaust System Materials

Exhaust duct must be four inches (10.2 cm) in diameter without obstructions. Rigid metal duct is recommended. Non-combustible semirigid flexible metal duct is acceptable.

DO NOT use plastic pipe, foil pipe, or flexible plastic pipe, because it contributes to poor drying performance and collects lint, which can lead to a fire hazard. To identify flexible foil or plastic duct, pinch the coils of the duct between your fingers. If the coils can be brought together, do not use the duct.



Maximum Exhaust Length

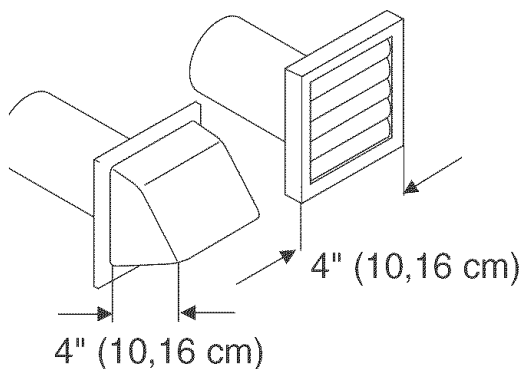
Rigid Metal Duct

Number of 90° Elbows	Weather Hood 4-inch Opening	Weather Hood 2½-inch Opening
0	44 feet (13.4 m)	34 feet (10.4 m)
1	34 feet (10.4 m)	26 feet (7.9 m)
2	26 feet (7.9 m)	20 feet (6.1 m)
3	20 feet (6.1 m)	14 feet (4.3 m)

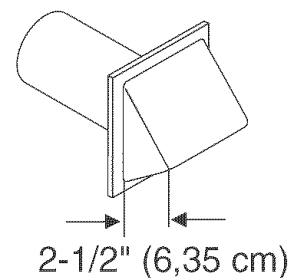
Flexible Metal Duct

Number of 90° Elbows	Weather Hood 4-inch Opening	Weather Hood 2½-inch Opening
0	24 feet (7.3 m)	20 feet (6.1 m)
1	20 feet (6.1 m)	16 feet (4.9 m)
2	16 feet (4.9 m)	12 feet (3.7 m)
3	12 feet (3.7 m)	8 feet (2.4 m)

Recommended Weather Hood



Recommended for Short Runs Only



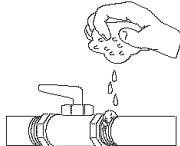
3 CONNECT GAS SUPPLY

L.P./Propane

DO NOT connect dryer to L.P./Propane gas service without converting the gas valve. An LPK1 Sales Accessory L.P./Propane Gas Conversion Kit 649P3 must be installed.

Test for Gas Leaks

After final gas connection is made, turn on manual gas valve and test all connections in gas supply piping for gas leaks. Leak testing of the appliance shall be conducted according to the manufacturer's instructions.



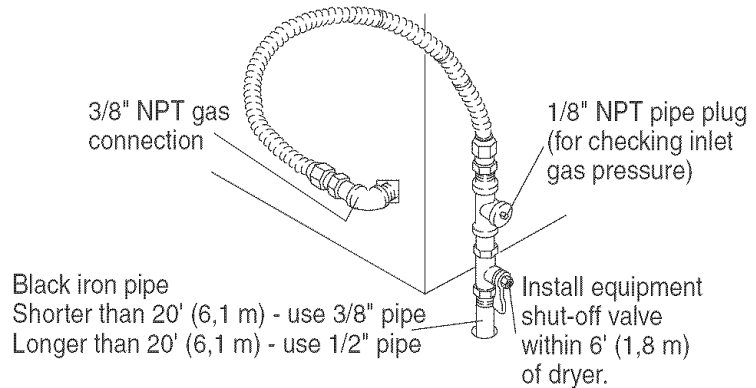
1. Place soap suds on connections.
2. If bubbles appear, a leak is present. Shut off gas supply valve.
3. Tighten joint if leak is at factory fitting.
 - If leak is not at factory fitting, unscrew, apply more joint compound, and tighten to correct leak.
4. Retest connection for leak after tightening or adding joint compound.
 - Retest any connections that were disturbed.

Connect gas supply to dryer using a new stainless steel flexible connector or hard pipe (check local codes) according to illustration. Test for leaks and check burner flame after gas supply is connected. See Checking Burner Flame section on back page.

- Dryer must be connected to type of gas as shown on nameplate located in the door recess.

- Use pipe joint compound insoluble on LP (propane) Gas, or Teflon tape, on all pipe threads.
- Purge air and sediment from gas supply line before connecting it to the dryer. Before tightening the connection, purge remaining air from gas line to dryer until odor of gas is detected. This step is required to prevent gas valve contamination.

Use new stainless steel flexible connector only if allowed by local codes (use Design A.G.A. certified connector)



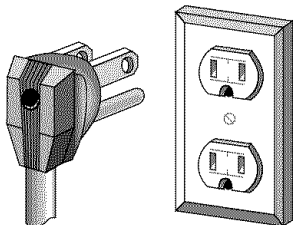
For proper operation at altitudes above 2,500 feet

The natural gas valve spud orifice size must be reduced to ensure complete combustion. See table.

Altitude Ft. (M)	Orifice Size #	Part Number
3000 (915)	43	503778
6000 (1830)	44	58719
8000 (2440)	45	503779
9000 (2740)	46	503780
10000 (3050)	47	503781

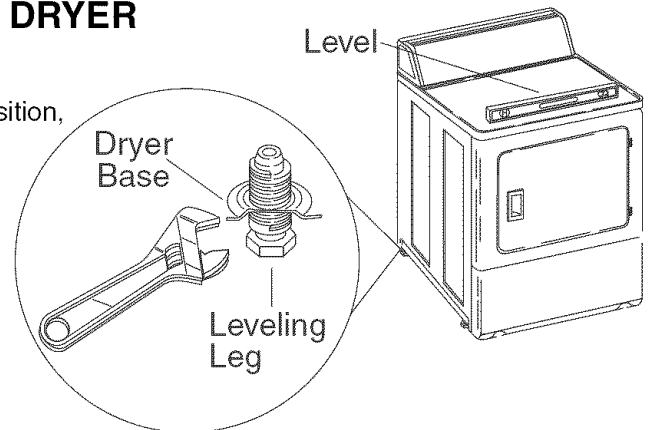
4 CONNECT POWER CORD TO ELECTRICITY

See Installation Requirements section. Plug dryer into **3-prong grounded outlet only**.



5 POSITION AND LEVEL DRYER

Place dryer in position, adjust all legs (4) until dryer is level side to side and front to back.



Important Safety Information

About Ground Wires

In the event of an electrical short circuit, a ground wire reduces the risk of electric shock by providing an escape wire for the electric current.

Standard accepted color coding for ground wires is **green** or **green with a yellow stripe**.

Grounding wires and wires colored like grounding wires are **NOT** to be used as current carrying conductors.

▲ WARNING

To reduce the risk of fire, the dryer **MUST** be exhausted to the outdoors. **DO NOT** exhaust dryer air into a window well, gas vent, chimney or enclosed, unventilated area, such as an attic, wall, ceiling, crawl space under a building or concealed space of a building.

▲ WARNING

To reduce the risk of fire, **DO NOT** use plastic pipe, foil pipe, or flexible plastic pipe to exhaust the dryer. Never install flexible duct in concealed spaces, such as a wall or ceiling.

▲ WARNING

To reduce the risk of fire, electric shock, serious injury or death, all wiring and grounding must conform with the latest edition of the National Electric Code, ANSI/NFPA 70, or the Canadian Electrical Code, CSA C22.1, and such local regulations as might apply. It is the customer's responsibility to have the wiring and fuses checked by a qualified electrician to make sure your home has adequate electrical power to operate the dryer.

Grounding Instructions

Dryer must be grounded. Dryer is equipped with a cord having a grounding conductor and a 3-prong grounding plug. The three-prong grounding plug on the power cord should be plugged directly into a polarized three-slot grounded receptacle rated 110/120V AC (alternating current) 15 Amps.

▲ WARNING

To avoid risk of personal injury or death due to electrical shock:

- **Observe all local codes and ordinances.**
- Disconnect electrical power to unit before servicing.
- Ground appliance properly.
- Check with a qualified electrician if you are not sure this appliance is properly grounded.
- **DO NOT** ground to gas line.
- **DO NOT** ground to cold water pipe if pipe is interrupted by plastic, non-metallic gaskets or other insulating (non-conducting) materials.
- **DO NOT** modify plug on power cord. If plug does not fit electrical outlet, have proper outlet installed by qualified electrician.
- **DO NOT** have a fuse in the neutral or ground circuit. A fuse in the neutral or ground circuit could result in an electrical shock.
- **DO NOT** use an extension cord with this appliance.
- **DO NOT** use an adapter plug with this appliance.
- **DO NOT** pinch power cord.

▲ WARNING

To avoid death, personal injury or property damage, from fire or explosion, information in this manual must be followed exactly:

- Do not store or use gasoline or other flammable vapors and liquids in the vicinity of this or any other appliance.
- **WHAT TO DO IF YOU SMELL GAS**
 - Do not try to light any appliance.
 - Do not touch any electrical switch; do not use any phone in your building.
 - Immediately call your gas supplier from a neighbor's phone. Follow the gas supplier's instructions.
 - If you cannot reach your gas supplier, call the fire department.
- Installation and service must be performed by a qualified installer, service agency or the gas supplier.

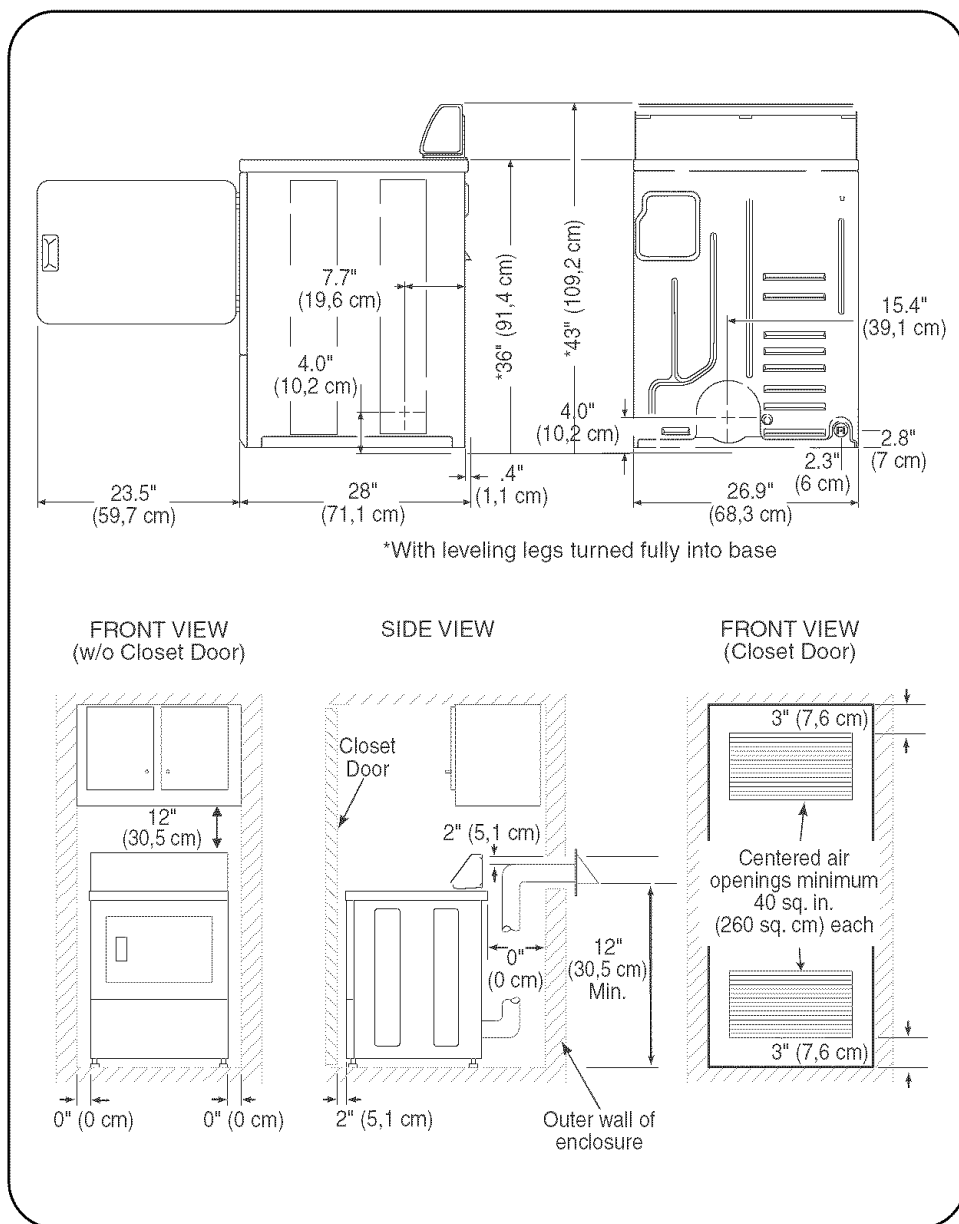
Save These Instructions

Installation Requirements

Before You Install...

Consider	Description
Location	<p>Use dimensions shown in manual to determine space needed for installation.</p> <p>Place dryer on a solid floor in an area with an adequate air supply. A closet door must have a supply air vent of 80 sq. in. (517 sq. cm) minimum.</p> <p>No other fuel burning appliance should be installed in the same closet with the dryer.</p> <p>Dryer must not be installed or stored in an area where it will be exposed to water and/or weather.</p> <p>Manufactured (mobile) home installation must conform to the Manufactured Home Construction and Safety Standards, Title 24 CFR, Part 32-80 or Standard CAN/CSA-Z240 MH.</p> <p>Gas dryers must be permanently attached to the floor at the time of installation. Order No. 526P3 Dryer Installation Kit for a manufactured (mobile) home installation.</p>
Electrical Requirements	<p>Dryer requires 120 volt, 15 amp, 60 Hz power supply and 3-prong grounding plug. Power cord is approximately 69" long. Do not operate other appliances on the same circuit when this appliance is operating. Refer to serial plate for specific requirements. Wiring diagram is located in control hood.</p>
Gas	<p>Natural Gas Pressure, 1000 Btu/ft³ (37.3 MJ/m³), service must be supplied at 6.5 + 1.5 inch water column pressure. L.P. (propane) Gas Pressure, 2,500 Btu/ft³ (93.1 MJ/m³), service must be supplied at 10 + 1.5 inch water column pressure.</p> <p>NOTE: The dryer and its appliance main gas valve must be disconnected from the gas supply piping system during any pressure testing of that system at test pressures in excess of 1/2 psi (3.45 kPa). Dryer must be isolated from the gas supply piping system by closing the equipment shut-off valve during any pressure testing of the gas supply piping system at test pressures equal to or less than 1/2 psi (3,45 kPa).</p> <p>When connecting to a gas line, an equipment shutoff valve must be installed within 6' (1.8 m) of the dryer. An 1/8" N.P.T. pipe plug must be installed.</p> <p>The gas service to a gas dryer must conform with the local codes and ordinances or in the absence of local codes and ordinances, with the latest edition of the National Fuel Gas Code ANSIZ223.1/NFPA 54 or the CAN/CGA-B149, National Gas Installation Code. LPK1 Sales Accessory (L.P./Propane Gas Conversion Kit 649P3) must be installed. DO NOT connect dryer to L.P./Propane Gas Service without converting the gas valve.</p>
Exhaust	<p>Use rigid or semi-rigid duct and exhaust the dryer to the outside by the shortest route possible. Failure to exhaust dryer properly will void warranty.</p> <ul style="list-style-type: none"> • Dryer exhaust duct must be secured to the mobile home structure. Dryer exhaust MUST NOT terminate under the mobile home. • Exhaust duct must not be connected to any other duct, vent or chimney. • Venting materials are not supplied with the dryer (obtain locally). Do not use plastic or thin foil flexible ducting. • Static pressure in the dryer's exhaust duct should be no greater than .6 inches (1.5 cm). Check with dryer running and no load. This can be measured with a manometer placed on the exhaust duct approximately two feet (61 cm) from the dryer. <p>For the best exhaust system:</p> <ul style="list-style-type: none"> • Locate dryer so exhaust duct is as short as possible. • Verify old ducts are cleaned before installing new dryer. • Use 4 inch (10.2 cm) diameter rigid or flexible metal duct. • Use duct tape on all joints. • Use as few elbows as possible.

Installation Checks and Adjustments



Checking Burner Flame

To view the burner flame, remove the lower front panel of the dryer.

⚠ WARNING

To prevent personal injury or property damage, front panel must be in place during normal operation.

Close the loading door, start the dryer in a heat setting (refer to User's Guide) The dryer will start, ignitor will glow red, and main burner will ignite.

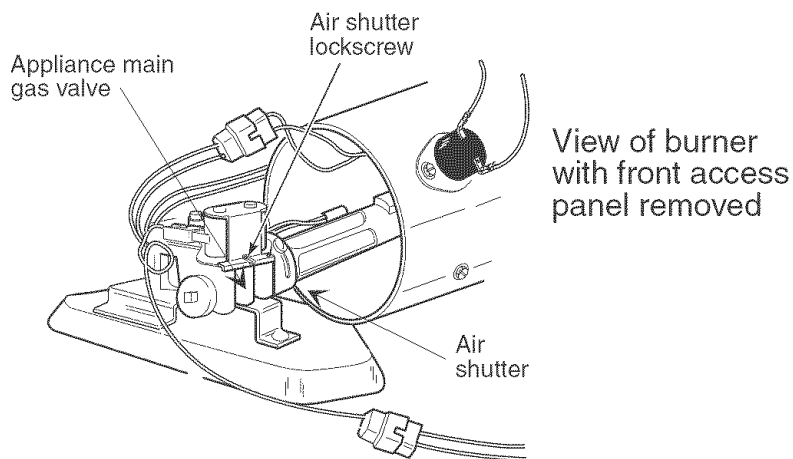
IMPORTANT: If all air is not purged out of gas line, gas ignitor may go off before gas is ignited. If this happens, after approximately two minutes ignitor will again attempt gas ignition.

After the dryer has operated for approximately 5 minutes, observe burner flame through lower front panel. Adjust air shutter to obtain a soft, uniform blue flame. (A lazy, yellow tipped flame indicates lack of air. A harsh, roaring, very blue flame indicates too much air.)

Adjusting Air Flow to Burner

1. Loosen air shutter lock screw.
2. Turn air shutter to left to get a luminous yellow-tipped flame, turn it back slowly to the right to obtain a steady, soft blue flame.
3. After air shutter is adjusted for proper flame, tighten air shutter lock screw securely.

After the dryer has operated for approximately three minutes, exhaust air or exhaust pipe should be warm.



Instructions d'installation

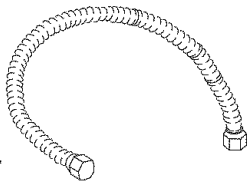
Sécheuse à gaz

*Conserver ces instructions comme références.
Veiller à laisser le manuel avec la sécheuse*

*Avez-vous des questions ?
Consultez le guide de l'utili-
sateur ou contactez Maytag
Appliances Sales Company au
1-800-688-9900 (États-Unis),
1-800-688-2002 (Canada),
1-800-688-2080
(É.-U. seulement avec ATS)*

Matériel nécessaire

Conduit de
raccordement
à la canalisation
de gaz – acier
inoxydable, ou
tuyauterie rigide.



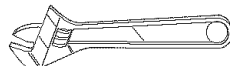
Ruban de téflon
ou composé
d'étanchéité des
jointures



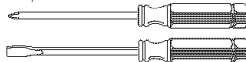
Ruban adhésif



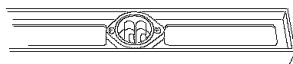
Clé à
molette



Tournevis



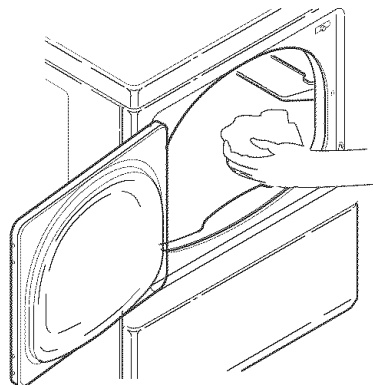
Niveau



1 RETIRER LES PIÈCES ET NETTOYER LE TAMBOUR DE LA SÉCHEUSE

Essuyer la surface du tambour avec un chiffon propre et une solution d'eau tiède et de savon (dilué) pour éliminer tout résidu d'huile de la fabrication. Si nécessaire, on peut utiliser une pâte constituée de détergent de buanderie pour nettoyer le tambour.

Pour inverser le sens d'ouverture de la porte, voir le guide de l'utilisateur.



Ensembles facultatifs

Ensembles disponibles contre facturation additionnelle; consulter le détaillant Maytag ou le service à la clientèle de Maytag au
1-800-688-9900 É.-U.
1-800-688-2002 Canada
1-800-688-2080 É.-U. (seulement avec ATS)

Ensemble pour évacuation directionnelle

Accessoires DK1 (ensemble pour évacuation directionnelle n° 528P3).

Ensemble d'évacuation en conduit métallique flexible

Pour le circuit d'évacuation de la sécheuse, dans une configuration d'accès difficile – utiliser l'ensemble n° 521P3.

Ensemble d'installation pour résidence mobile

Ensemble d'ancrage pour résidence mobile n° 526P3.

Ensemble de conversion GPL/propane

Ensemble d'accessoires LPK1 (Ensemble GPL/propane n° 649P3).

2 RACCORDER LA SÈCHEUSE AU CIRCUIT D'ÉVACUATION

Pour assujettir les sections adjacentes du circuit d'évacuation, utiliser des brides ou du ruban adhésif pour conduits. **NE PAS** utiliser des vis à tôle ou autres articles qui dépasseraient à l'intérieur du conduit, et qui pourraient retenir des peluches; une accumulation de tels débris réduirait l'efficacité du circuit d'évacuation.

IMPORTANT : Minimiser la longueur du circuit d'évacuation.

Vérifier la propreté du circuit d'évacuation existant avant d'installer la sècheuse neuve.

Pour éviter un reflux d'air lorsque la sècheuse ne fonctionne pas, il faut qu'une bouche d'évacuation avec clapet de fermeture, protégée des intempéries, soit installée à l'extrémité du circuit d'évacuation (obtenir cet article localement).

Installer la bouche d'évacuation à au moins 30 cm (12 po) au-dessus du sol. Une distance de séparation plus élevée peut être nécessaire dans une région exposée à d'importantes chutes de neige.

La configuration d'évacuation à travers le toit n'a pas d'effet particulier sur la longueur du circuit d'évacuation. Voir *LA LONGUEUR MAXIMUM* indiquée dans le tableau pour la détermination de la longueur du circuit d'évacuation. Installer une mitre qui permettra un débit d'air égal à celui que produirait une bouche d'évacuation protégée contre les intempéries.

Directions d'évacuation

L'air humide de la sècheuse peut être évacué par l'arrière, par la droite ou par le bas de la sècheuse. **Il n'est pas possible d'évacuer l'air humide de la sècheuse par le côté gauche, où se trouve le logement du brûleur.**

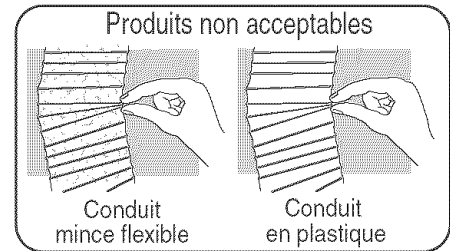
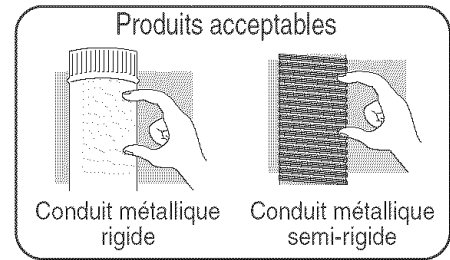
La sècheuse est configurée à l'usine pour l'évacuation par l'arrière. Aucun ensemble de pièces additionnel n'est nécessaire dans ce cas.

Pour l'évacuation par le côté ou par le bas, installer l'ensemble accessoire DK1 (ensemble pour évacuation directionnelle n° 528P3), disponible à raison d'un coût supplémentaire, comme équipement facultatif.

Matériaux du circuit d'évacuation

Utiliser du conduit sans obstruction, de 10,2 cm (4 po) de diamètre. On recommande l'emploi de conduit métallique. L'emploi de conduit métallique flexible semi-rigide, non combustible, est acceptable.

NE PAS utiliser du conduit en plastique, conduit en feuille métallique mince ou conduit en plastique flexible; ces produits favorisent l'accumulation de peluches, ce qui réduit la performance de séchage et entraîne un risque d'incendie. Pour identifier un conduit en plastique ou conduit flexible en feuille mince, pincer entre les doigts des spires de l'armature; s'il est possible de rapprocher des spires adjacentes, ne pas utiliser ce type de conduit.



Longueur maximale du circuit d'évacuation

Conduit métallique rigide

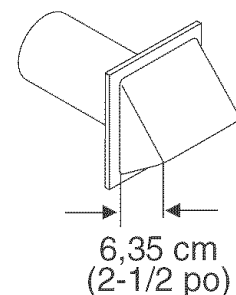
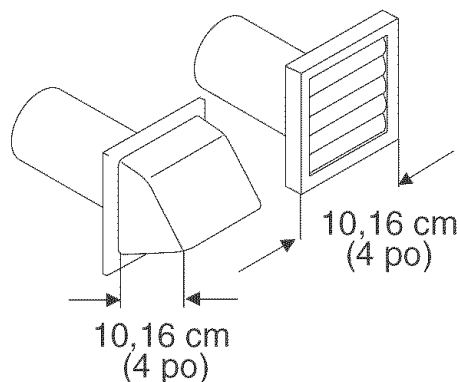
Nombre de coudes à 90°	Bouche d'évacuation protégée contre les intempéries	
	10,2 cm (4 po)	6,35 cm (2-1/2 po)
0	44 pieds (13,4 m)	34 pieds (10,4 m)
1	34 pieds (10,4 m)	26 pieds (7,9 m)
2	26 pieds (7,9 m)	20 pieds (6,1 m)
3	20 pieds (6,1 m)	14 pieds (4,3 m)

Conduit métallique flexible

Nombre de coudes à 90°	Bouche d'évacuation protégée contre les intempéries	
	10,2 cm (4 po)	6,35 cm (2-1/2 po)
0	24 pieds (7,3 m)	20 pieds (6,1 m)
1	20 pieds (6,1 m)	16 pieds (4,9 m)
2	16 pieds (4,9 m)	12 pieds (3,7 m)
3	12 pieds (3,7 m)	8 pieds (2,4 m)

Bouche d'évacuation recommandée (protection contre les intempéries)

Produit recommandé seulement pour un circuit de longueur réduite



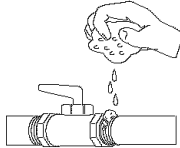
3 RACCORDER À LA CANALISATION DE GAZ

Propane

NE PAS raccorder la sécheuse à une source de gaz de pétrole liquéfié (GPL)/propane si le dispositif d'alimentation n'a pas fait l'objet de la conversion nécessaire. On doit installer les composants de l'ensemble accessoire LPK1 – ensemble de conversion «propane» 649P3.

Rechercher les fuites

Après le raccordement de l'appareil à la canalisation de gaz, ouvrir le robinet d'arrêt manuel et effectuer une inspection de recherche des fuites au niveau de chaque jointure du circuit de gaz, selon la méthode recommandée par le fabricant de l'appareil.



1. Appliquer une solution savonneuse sur les connexions.
2. Si on peut observer la formation de bulles, il y a une fuite. Fermer immédiatement le robinet d'arrêt de la canalisation.
3. Pour une fuite au niveau du raccord installé à l'usine, resserrer le raccord.
 - Pour une fuite au niveau d'une autre jointure, dévisser le raccord, appliquer une plus grande quantité de composé d'étanchéité, et resserrer.
4. Effectuer de nouveau une recherche des fuites après un resserrage ou l'addition de composé d'étanchéité.
 - Effectuer une recherche des fuites sur toute connexion qui a été perturbée.

Utiliser un conduit de raccordement flexible ou un tuyau rigide (consulter le code local) pour raccorder la sécheuse à la canalisation de gaz; voir l'illustration. Après le raccordement, effectuer une inspection de recherche des fuites, et examiner la flamme du brûleur. Voir la section Examen de la flamme du brûleur, en dernière page.

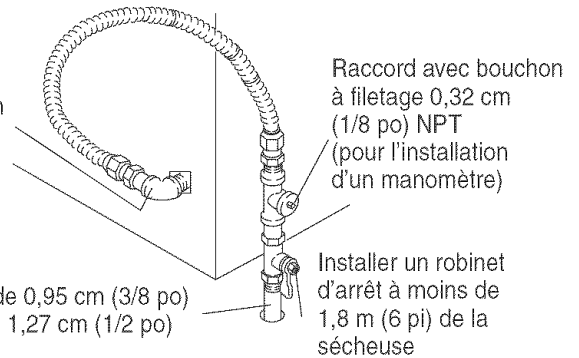
- Il faut que la sécheuse soit alimentée par le gaz identifié sur la plaque signalétique (zone en retrait de la porte).
- Pour assurer l'étanchéité sur chaque jointure de tuyauterie, utiliser du ruban de

téflon ou un composé d'étanchéité résistant à l'action du GPL/propane.

- Avant de raccorder la sécheuse à la canalisation de gaz, éliminer tout sédiment et résidu d'air dans la canalisation de gaz. Avant le serrage final des raccords, purger tout résidu d'air dans le conduit de raccordement installé entre la sécheuse et la canalisation de gaz, jusqu'à ce qu'une odeur de gaz soit perceptible. Cette étape est nécessaire pour la prévention de la contamination de la vanne d'alimentation en gaz.

Utiliser un conduit neuf de raccordement flexible en acier inoxydable seulement si le code local le permet (utiliser alors un conduit de raccordement dont la conception est homologuée par l'A.G.A.).

Raccord 0,95 cm (3/8 po) NPT



Raccord avec bouchon à filetage 0,32 cm (1/8 po) NPT (pour l'installation d'un manomètre)

Tuyauterie d'acier
Moins de 6 m (20 pi) – tuyau de 0,95 cm (3/8 po)
Plus de 6 m (20 pi) – tuyau de 1,27 cm (1/2 po)

Installer un robinet d'arrêt à moins de 1,8 m (6 pi) de la sécheuse

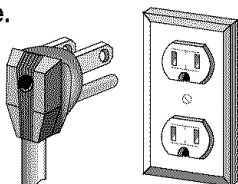
Pour un fonctionnement correct à une altitude supérieure à 762 m (2 500 pi)

Pour garantir une combustion complète du gaz, on doit réduire la taille du gicleur utilisé pour l'alimentation au gaz naturel. Voir le tableau.

Altitude pi (m)	Taille du gicleur n°	Pièce n°
3000 (915)	43	503778
6000 (1830)	44	58719
8000 (2440)	45	503779
9000 (2740)	46	503780
10000 (3050)	47	503781

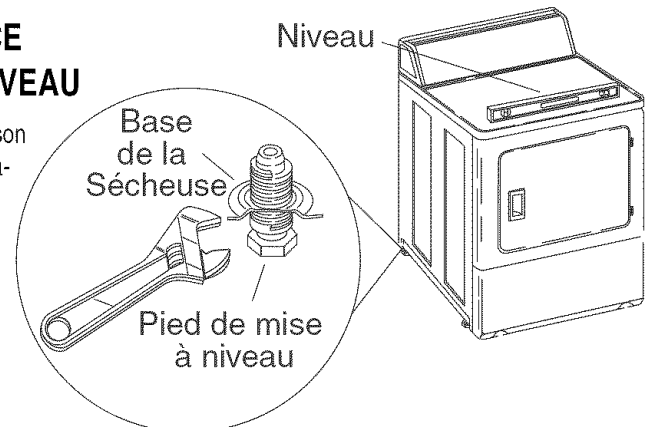
4 RACCORDER À LA SOURCE D'ÉLECTRICITÉ

Voir les spécifications à la section Caractéristiques de l'installation. Brancher la sécheuse seulement sur une prise de courant à trois alvéoles, reliée à la terre.



5 METTRE EN PLACE ET DE NIVEAU

Placer la sécheuse à son emplacement d'installation; régler la hauteur des pieds (4) pour établir un bon aplomb (transversalement et avant/arrière).



Sécurité – Information Importante

Conducteurs de liaison à la terre

Advenant qu'un court-circuit électrique se produise, un conducteur de liaison à la terre réduit le risque de choc électrique; il constitue un itinéraire de transmission du courant électrique entre l'appareil et la terre.

La couleur de codage standard de l'isolant du conducteur de liaison à la terre est **vert**, ou **vert avec un liséré jaune**.

NE JAMAIS utiliser pour la transmission d'un courant électrique un conducteur normalement employé pour la liaison à la terre (ou de la même couleur).

AVERTISSEMENT

Pour réduire le risque d'incendie, IL FAUT que l'air humide généré par la sècheuse soit évacué à l'extérieur. NE PAS placer l'extrémité du circuit d'évacuation dans un puits de fenêtre, cheminée d'appareil à gaz, cheminée, ou zone fermée et non ventilée comme grenier, cavité murale ou de plafond, espace sanitaire sous un bâtiment, ou espace dissimulé d'un bâtiment.

AVERTISSEMENT

Pour minimiser le risque d'incendie, NE PAS utiliser pour le circuit d'évacuation du conduit en plastique, conduit en feuille mince, ou conduit en plastique flexible. Ne jamais installer un conduit flexible dans un espace dissimulé, comme cavité murale ou cavité de plafond.

AVERTISSEMENT

Pour minimiser les risques d'incendie, choc électrique, ou blessure grave ou mortelle, on doit veiller à ce que tout le câblage électrique et la liaison à la terre satisfassent aux critères de l'édition la plus récente de la norme ANSI/NFPA 70 des États-Unis, ou de la norme CSA C22.1 (code canadien de l'électricité), ou de tout autre code ou règlement local applicable. C'est au propriétaire de l'appareil qu'incombe la responsabilité de faire inspecter le câblage électrique et les fusibles par un électricien compétent, qui pourra vérifier que l'installation électrique de la résidence permet le fonctionnement adéquat de la sècheuse.

Instructions de Liaison à la Terre

Il faut que la sècheuse soit électriquement reliée à la terre. La sècheuse est dotée d'un cordon d'alimentation comportant un conducteur de liaison à la terre et une fiche de branchement à trois broches (pour liaison à la terre). On doit brancher la fiche du cordon d'alimentation directement sur une prise de courant polarisée à trois alvéoles (avec liaison à la terre) conçue pour l'utilisation dans un circuit 110/120 V CA 15 A.

AVERTISSEMENT

Pour éviter un choc électrique susceptible de provoquer des blessures graves ou mortelles :

- **Respecter toutes les prescriptions des codes et règlements locaux.**
- Interrompre l'alimentation électrique de l'appareil avant d'entreprendre toute intervention.
- Relier correctement l'appareil à la terre.
- Consulter un électricien qualifié en cas d'incertitude quant à la qualité de la liaison à la terre de l'appareil.
- NE PAS utiliser la canalisation de gaz pour la liaison à la terre.
- NE PAS utiliser une canalisation d'eau froide pour la liaison à la terre si la tuyauterie renferme des matériaux isolants ou non conducteurs (joints en plastique ou non métalliques, ou section de tuyauterie non métallique).
- NE JAMAIS modifier la configuration de la fiche de branchement. S'il n'est pas possible de brancher la fiche sur la prise de courant, faire installer une prise de courant adéquate par un électricien qualifié.
- NE PAS installer un fusible dans le circuit du conducteur neutre ou le circuit de liaison à la terre; ceci entraînerait un risque de choc électrique.
- NE PAS utiliser un câble de rallonge pour l'alimentation de cet appareil.
- NE PAS utiliser une fiche d'adaptation pour l'alimentation de cet appareil.
- NE PAS coincer le cordon d'alimentation.

AVERTISSEMENT

Pour leur sécurité, les utilisateurs doivent se conformer aux instructions de ce guide pour minimiser les risques d'incendie ou explosion et pour éviter dommages matériels, dommages corporels ou accident mortel.

- Ne jamais remiser ou utiliser de l'essence ou un autre produit liquide ou gazeux inflammable au voisinage de cet appareil ou de tout autre appareil.
- **QUE FAIRE SI L'ON SENT UNE ODEUR DE GAZ**
 - Ne mettre aucun appareil en marche.
 - Ne pas toucher à un interrupteur électrique ; n'utiliser aucun téléphone de l'immeuble.
 - Se rendre chez un voisin et téléphoner immédiatement à la compagnie de gaz. Suivre les directives données par le préposé de la compagnie de gaz.
 - S'il est impossible de joindre la compagnie de gaz, téléphoner au service des incendies.
- L'installation et les réparations doivent être confiées à un installateur compétent, à une entreprise de service ou à la compagnie de gaz.

Conserver ces instructions

Caractéristiques de L'installation

Avant D'entreprendre L'installation...

Facteurs à considérer	Description
Emplacement d'installation	<p>Pour déterminer l'espace nécessaire pour l'installation, voir les dimensions mentionnées dans le manuel.</p> <p>Placer la sècheuse sur un sol ferme, en un endroit jouissant d'une alimentation en air adéquate. Dans le cas de l'installation dans une armoire, il faut que la porte de l'armoire comporte une ouverture d'entrée d'air d'au moins 517 cm² (80 po²).</p> <p>Aucun autre appareil alimenté par un combustible ne devrait être installé dans la même armoire que la sècheuse.</p> <p>Ne pas installer ou remiser la sècheuse en un endroit où elle serait exposée à de l'eau ou aux intempéries.</p> <p>Dans le cas de l'installation dans une résidence mobile, on doit satisfaire aux prescriptions de la norme CAN/CSA-Z240 MH (au Canada), ou de la norme Manufactured Home Construction and Safety Standards (aux États-Unis).</p> <p>La sècheuse à gaz doit être fixée à demeure sur le plancher lors de l'installation. Pour l'installation dans une résidence mobile, commander l'ensemble d'installation de sècheuse n° 526P3.</p>
Alimentation électrique	<p>Pour l'utilisation de la sècheuse, on doit disposer d'une prise de courant à trois alvéoles (reliée à la terre) 120 V 15 A 60 Hz. La longueur du cordon d'alimentation est d'environ 175 cm (69 po). Veiller à ce que le circuit de la prise de courant n'alimente aucun autre appareil lorsque la sècheuse fonctionne. La plaque signalétique indique les besoins spécifiques de l'appareil. On trouve un schéma de câblage sous le haut du tableau de commande.</p>
Gaz	<p>La sècheuse doit être alimentée en gaz naturel (capacité thermique de 37,3 MJ/m³ [1 000 BTU/pi³]), sous une pression de 16,5 + 3,8 cm (6,5 + 1,5 po) (colonne d'eau), ou bien en propane (capacité thermique de 93,1 MJ/m³ [2 500 BTU/pi³]), sous une pression de 25,4 + 3,8 cm (10 + 1,5 po) (colonne d'eau).</p> <p>REMARQUE : Pour tout test de pressurisation de la canalisation de gaz à une pression relative supérieure à 3,5 kPa (1/2 lb/po²), on doit déconnecter la sècheuse et la vanne d'alimentation en gaz de la canalisation de gaz.</p> <p>Pour tout test de pressurisation de la canalisation de gaz à une pression relative égale ou inférieure à 3,5 kPa (1/2 lb/po²), on doit isoler la sècheuse et la vanne d'alimentation en gaz de la canalisation de gaz par fermeture du robinet d'arrêt manuel.</p> <p>Dans le cas du raccordement de l'appareil à une canalisation de gaz, on doit installer un robinet d'arrêt à moins de 1,8 m (6 pi) de la sècheuse. On doit également incorporer dans la canalisation un raccord fermé par un bouchon à filetage 0,32 cm (1/8 po) NPT.</p> <p>La canalisation de gaz qui alimente la sècheuse doit être conforme aux prescriptions des codes et règlements locaux; en l'absence de code ou règlement local, elle doit satisfaire aux prescriptions de l'édition la plus récente de la norme ANSI Z223.1/NFPA 54 (National Fuel Gas Code – aux États-Unis) ou de la norme CAN/ACG-B149 (Code national d'installation des appareils à gaz – au Canada). Dans le cas de l'alimentation de la sècheuse au propane, on doit installer l'ensemble accessoire LPK1 – ensemble de conversion GPL/propane n° 649P3. NE PAS raccorder la sècheuse à une source de GPL/propane sans avoir effectué l'opération de conversion nécessaire.</p>
Évacuation	<p>Utiliser du conduit rigide ou semi-rigide pour réaliser le circuit d'évacuation entre la sècheuse et l'extérieur; choisir l'itinéraire le plus court possible. La garantie ne pourra être honorée si un circuit d'évacuation adéquat n'est pas associé à la sècheuse.</p> <ul style="list-style-type: none">• Le circuit d'évacuation de la sècheuse doit être solidement fixé à la structure de la résidence mobile. L'extrémité d'évacuation du circuit d'évacuation NE DOIT PAS se trouver sous la résidence mobile.• Le circuit d'évacuation de la sècheuse ne doit pas être connecté à un autre conduit, à une cheminée, ou à un conduit de ventilation.• Les matériaux du circuit d'évacuation ne sont pas fournis avec la sècheuse (acquisition locale). Ne pas utiliser du conduit mince ou du conduit en plastique.• La pression statique dans le circuit d'évacuation de la sècheuse ne doit pas être supérieure à 1,5 cm (0,6 po) (colonne d'eau). Mesurer la pression statique alors que la sècheuse fonctionne, à vide; utiliser pour cela un manomètre installé sur le conduit d'évacuation à environ 60 cm (2 pi) de la sècheuse. <p>Pour optimiser l'efficacité du circuit d'évacuation :</p> <ul style="list-style-type: none">• Choisir un emplacement d'installation permettant l'emploi du circuit d'évacuation le plus court possible.• Veiller à nettoyer tout vieux conduit avant d'installer la sècheuse neuve.• Utiliser du conduit métallique flexible ou rigide de 10,2 cm (4 po).• Assurer l'étanchéité de chaque jointure avec du ruban adhésif pour conduits.• Minimiser le nombre de coudes à 90° dans le circuit d'évacuation.

Contrôles et Réglages

Examen de la flamme du brûleur

Pour examiner la flamme du brûleur, ôter le panneau avant inférieur de la sècheuse.

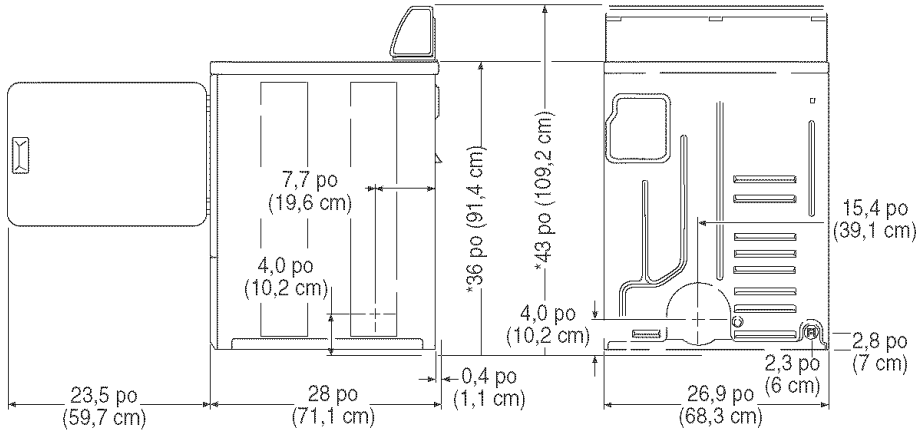
AVERTISSEMENT

Pour éviter tout risque de blessure ou de dommages matériels, on doit laisser le panneau avant en place durant le fonctionnement normal.

Fermer la porte de chargement; faire fonctionner la sècheuse, avec chauffage (voir le guide de l'utilisateur). La sècheuse doit se mettre en marche; le dispositif d'allumage devient incandescent, et le brûleur principal s'allume.

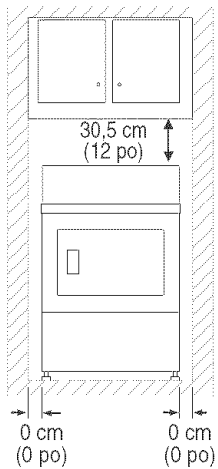
IMPORTANT : Si on n'a pas totalement purgé l'air de la canalisation de gaz, l'incandescence du dispositif d'allumage peut cesser avant l'inflammation du gaz. Si ceci se produit, le dispositif d'allumage fera une autre tentative après environ deux minutes.

Après que la sècheuse a fonctionné pendant 5 minutes environ, observer la flamme du brûleur à travers l'ouverture du panneau avant inférieur. Ajuster la position de la virole d'admission d'air pour obtenir une flamme bleue uniforme, et de forme nette. Une flamme vacillante, avec des teintes jaunes, correspond à une carence d'air. Une flamme très bleue qui émet un grondement correspond à un excès d'air.

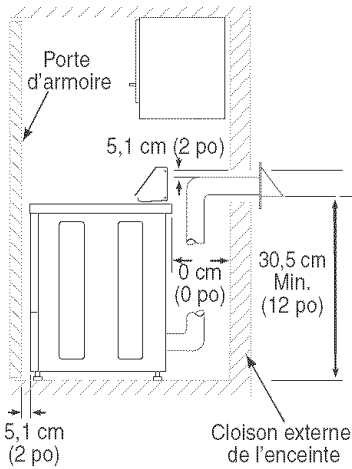


*Avec pieds de mise à niveau complètement vissés dans la base

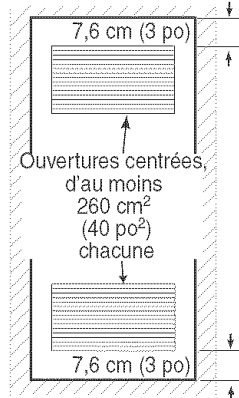
VUE AVANT
(sans porte d'armoire)



VUE LATÉRALE



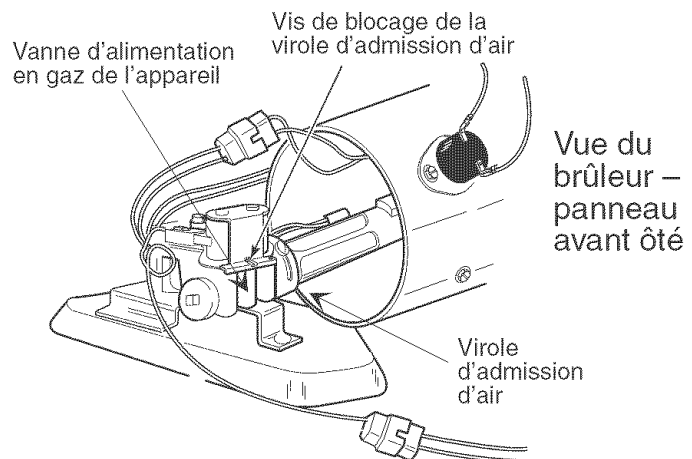
VUE AVANT
(porte d'armoire)



Réglage du débit d'air d'alimentation du brûleur

1. Desserrer la vis de blocage de la virole d'admission d'air.
2. Faire tourner la virole vers la gauche pour obtenir une flamme lumineuse à pointe jaune; faire tourner lentement la virole vers la droite pour obtenir une flamme bleue et ferme.
3. Après avoir établi une flamme de configuration appropriée, bien resserrer la vis de blocage de la virole.

Après environ trois minutes de fonctionnement de la sècheuse, le conduit de séchage devrait être chaud.





Instrucciones de Instalación

Secadora a Gas

*Conserve las instrucciones para referencia futura.
Asegúrese de que el manual se mantenga
junto con la secadora.*

¿Preguntas?

Consulte la Guía del Usuario o llame a 'Maytag Appliances Sales Company'

1-800-688-9900 EE.UU.

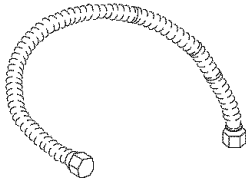
1-800-688-2002 Canadá

1-800-688-2080 Personas con problemas auditivos

o del habla EE.UU. solamente

Antes de comenzar necesitará los siguientes artículos:

Conector del Gas de Acero Inoxidable o Tubería Dura



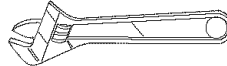
Cinta Teflón o Compuesto para Juntas



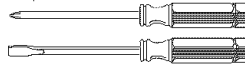
Cinta para Conductos



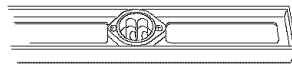
Llave



Destornilladores



Nivel



Kits Opcionales

Los kits están disponibles a un costo adicional a través del distribuidor Maytag o del Departamento de Ayuda a los Consumidores (Maytag Customer Assistance) llamando al 1-800-688-9900 EE.UU.

1-800-688-2002 Canadá

1-800-688-2080 Personas con problemas auditivos o del habla – EE.UU. solamente

Kit de Evacuación Direccional

Accesorio de Venta DK1 (Kit de Evacuación Direccional #528P3).

Kit de Evacuación de Metal Flexible

Para facilitar la instalación de un sistema de evacuación en lugares difíciles de alcanzar utilice el Kit #521P3.

Kit de Instalación para Casas Prefabricadas (Móviles)

Anclaje para casas prefabricadas Kit #256P3.

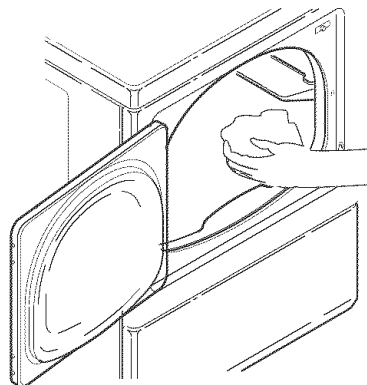
Kit de Conversión a Gas Propano

Accesorio de Venta LPK1 (Kit de Conversión a P.L./Gas Propano #649P3).

1 RETIRO DE PIEZAS Y LIMPIEZA DEL TAMBOR

Limpie el tambor con un paño limpio y jabón diluido en agua tibia para extraer cualquier aceite usado en la fabricación. Haga una pasta con detergente de lavar ropa y limpie el tambor si es necesario.

Para invertir la dirección en que se abre la puerta, vea la Guía del Usuario.



2 CONEXION DE LA SECADORA AL SISTEMA DE EVACUACION

Asegure todas las juntas con abrazaderas o cinta para conductos. NO use tornillos para chapas de metal ni ningún otro método de sujeción que se extienda hacia el interior del conducto para unir las juntas del conducto de evacuación. Los tornillos pueden atrapar pelusas y reducir la eficacia del sistema de evacuación.

IMPORTANTE: Mantenga el conducto de evacuación tan corto como sea posible.

Asegúrese de que los conductos de evacuación antiguos estén limpios antes de instalar su nueva secadora.

A fin de evitar contracorriente cuando la secadora no está en funcionamiento, se debe instalar una caperuza exterior con reguladores abisagrados (obtener localmente) en el extremo exterior del conducto de evacuación.

Las caperuzas exteriores deben instalarse por lo menos a 12" (30,5 cm) sobre el suelo. Puede que sea necesario instalarlas a mayor distancia en las áreas donde pueden ocurrir nevadas fuertes.

No es necesario alargar el sistema cuando la evacuación se realiza a través del techo. Use la tabla sobre el LARGO MAXIMO DEL CONDUCTO DE EVACUACION para calcular el largo del sistema de evacuación. Use una caperuza de techo que proporcione flujo de aire igual que la caperuza exterior.

Direcciones del Conducto de Evacuación

La secadora puede ser evacuada al exterior a través de la parte trasera, del lado derecho o por la parte inferior de la secadora. **Las secadoras a gas no pueden ser evacuadas por el lado izquierdo debido a la caja del quemador.**

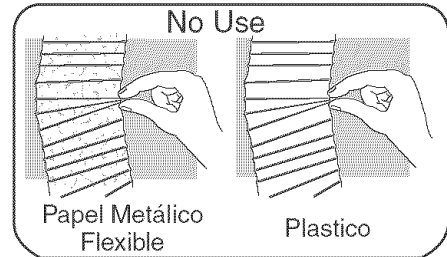
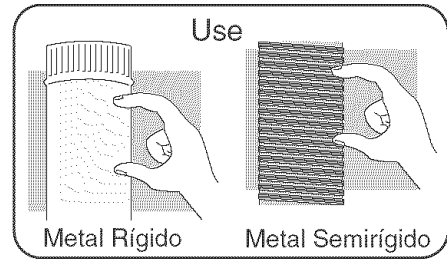
La secadora es enviada desde la fábrica lista para evacuación por la parte trasera. No se necesitan kits especiales.

Para evacuar la secadora a través de los costados o por la parte inferior, instale el Accesorio de Venta DK1 (Kit de Evacuación Direccional 528P3). Disponible como equipo opcional a un costo adicional.

Materiales del Sistema de Evacuación

Los conductos de evacuación deben ser de cuatro pulgadas (10,2 cm) de diámetro sin obstrucciones. Se recomiendan los conductos de metal rígido. Los conductos de metal flexible semirígido no combustible son aceptables.

NO use tubos de plástico, tubos de papel metálico ni tubos de plástico flexible porque contribuyen a un rendimiento deficiente del secado y acumulan pelusas, lo cual puede conducir a un riesgo de incendio. Para identificar el conducto de papel metálico flexible o el conducto de plástico, apriete las espiras entre sus dedos. Si las espiras pueden juntarse, no use el conducto.



Largo Máximo del Conducto de Evacuación

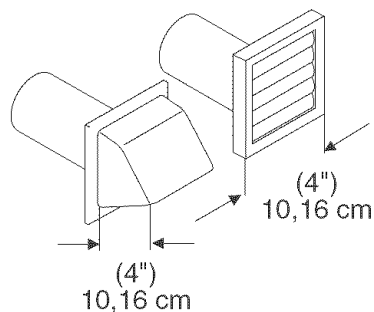
Conducto de Metal Rígido

Número de Codos de 90°	Caperuza Exterior con Abertura de 4 pulgadas	Caperuza Exterior con Abertura de 2-1/2 pulgadas
0	44 pies (13,4 m)	34 pies (10,4 m)
1	34 pies (10,4 m)	26 pies (7,9 m)
2	26 pies (7,9 m)	20 pies (6,1 m)
3	20 pies (6,1 m)	14 pies (4,3 m)

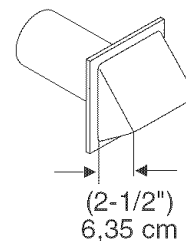
Conducto de Metal Flexible

Número de Codos de 90°	Caperuza Exterior con Abertura de 4 pulgadas	Caperuza Exterior con Abertura de 2-1/2 pulgadas
0	24 pies (7,3 m)	20 pies (6,1 m)
1	20 pies (6,1 m)	16 pies (4,9 m)
2	16 pies (4,9 m)	12 pies (3,7 m)
3	12 pies (3,7 m)	8 pies (2,4 m)

Caperuza Exterior Recomendada



Recomendada para instalaciones Cortas Solamente



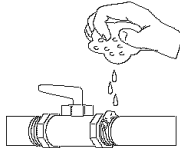
3 CONEXION DEL SUMINISTRO DE GAS

P.L./Gas Propano

NO conecte la secadora al servicio de P.L./ Gas Propano sin antes modificar la válvula del gas. Se debe instalar un Accesorio de Venta LPK1 consistente en un Kit # 649P3 de Conversión a P.L./Gas Propano.

Verifique si hay escapes de gas

Después de que se haga la última conexión del gas, gire la válvula manual del gas y pruebe todas las conexiones en la tubería de suministro del gas para verificar si hay escapes. La comprobación de escapes en el artefacto debe ser realizada de acuerdo con las instrucciones del fabricante.



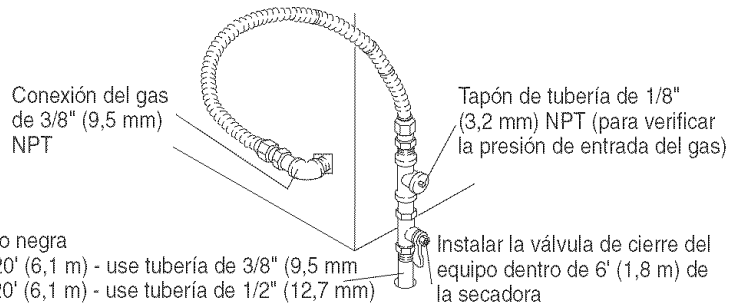
1. Coloque espuma de jabón en las conexiones.
2. Si aparecen burbujas, existe un escape. Cierre la válvula de suministro del gas.
3. Apriete la junta si el escape está en un accesorio de fábrica.
 - Si el escape no está en un accesorio de fábrica, destornille, aplique más compuesto para juntas y apriete para corregir la junta.
4. Vuelva a probar la conexión para verificar si hay escape después de apretar o agregar compuesto para juntas.
 - Vuelva a probar todas las conexiones que fueron perturbadas.

Conecte el suministro de gas a la secadora usando un conector flexible de acero inoxidable o una tubería dura (verifique los códigos locales) de acuerdo con la ilustración. Verifique si hay escapes y verifique además la llama del quemador después de que haya conectado el suministro de gas. Ver la sección 'Verificación de la Llama del Quemador' en la última página.

- La secadora debe ser conectada al tipo de gas que se indica en la placa de datos ubicada en el rebajo de la puerta.

- Use compuesto para juntas de tubos que no sea soluble en Propano Líquido o Gas Propano o cinta Teflón en todas las roscas de la tubería.
- Purgue el aire y sedimentos de la tubería de suministro del gas antes de conectarla a la secadora. Antes de apretar la conexión, purgue el aire restante de la tubería del gas a la secadora hasta que se perciba olor a gas. Este paso es requerido para evitar contaminación de la válvula del gas.

Use un conector nuevo flexible de acero inoxidable solamente si lo permiten los códigos locales (use el conector certificado por la A.G.A.)



Tubería de hierro negra
 Más corta que 20' (6,1 m) - use tubería de 3/8" (9,5 mm)
 Más larga que 20' (6,1 m) - use tubería de 1/2" (12,7 mm)

Instalar la válvula de cierre del equipo dentro de 6' (1,8 m) de la secadora

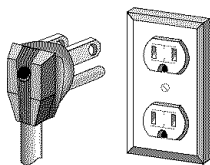
Para funcionamiento apropiado en altitudes sobre 2,500 pies (762m)

Se debe reducir el tamaño de la tobera del mechero de la válvula de gas natural para asegurar una combustión completa. Ver la tabla.

Altitud Pies (m)	# del Tamaño de la Tobera	Número del Repuesto
3000 (915)	43	503778
6000 (1830)	44	58719
8000 (2440)	45	503779
9000 (2740)	46	503780
10000 (3050)	47	503781

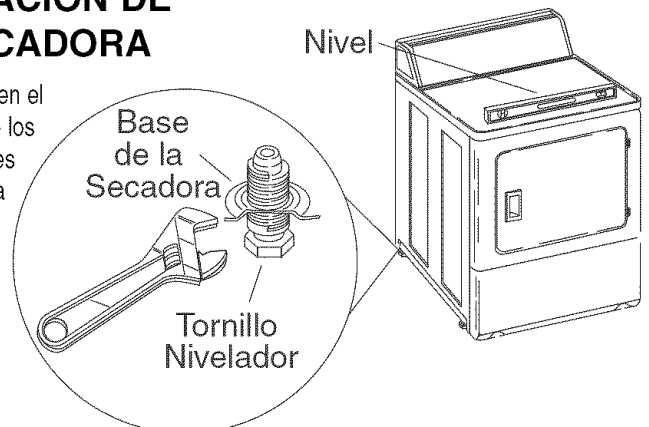
4 ENCHUFE EL CORDON ELECTRICO EN EL TOMACORRIENTE

Ver la sección 'Requerimientos de la Instalación'. Enchufe la secadora en un tomacorriente puesto a tierra de 3 tomas solamente.



5 UBICACION Y NIVELACION DE LA SECADORA

Coloque la secadora en el lugar definitivo, ajuste los (4) tornillos niveladores hasta que la secadora quede nivelada de lado a lado y de adelante hacia atrás.



Información Importante sobre Seguridad

Alambres de Puesta a Tierra

En caso de un cortocircuito eléctrico, el alambre de puesta a tierra reduce el riesgo de sufrir un choque eléctrico permitiendo que la corriente eléctrica escape a través del alambre.

El código de color estándar aceptado para los alambres de puesta a tierra es **verde o verde con una franja amarilla**.

Los alambres de puesta a tierra y los alambres de color similares a los de puesta a tierra **NO** deben ser usados como conductores portadores de corriente eléctrica.

ADVERTENCIA

A fin de reducir el riesgo de incendio, la secadora **DEBE** ser evacuada al exterior. **NO** evacue el aire de la secadora en el espacio que rodea una ventana, en un conducto de evacuación de gas, chimenea o en un área cerrada sin ventilación, tal como un ático, pared, techo, sótano entre el primer piso y el terreno natural de un edificio o espacio oculto de un edificio.

ADVERTENCIA

A fin de reducir el riesgo de incendio, **NO** use tubería de plástico, tubería de papel metálico o tubería de plástico flexible para el conducto de evacuación de la secadora. Nunca instale conducto flexible en espacios ocultos, tales como una pared o techo.

ADVERTENCIA

A fin de reducir el riesgo de incendio, choque eléctrico, lesión grave o mortal, todo el cableado y puesta a tierra debe estar de acuerdo con la última edición del Código Eléctrico Nacional, ANSI/NFPA 70 o con el Código Eléctrico Canadiense, CSA C22.1 y con todos los reglamentos locales aplicables. Es responsabilidad del cliente hacer revisar el cableado y los fusibles por un electricista calificado para asegurarse de que su hogar tiene la energía eléctrica adecuada para hacer funcionar la secadora.

Instrucciones para la Puesta a Tierra

La secadora debe ser puesta a tierra. La secadora está equipada con un cordón que tiene un conductor de puesta a tierra y un enchufe con puesta a tierra de 3 clavijas. El enchufe con puesta a tierra de 3 clavijas del cordón eléctrico debe ser enchufado directamente en un tomacorriente polarizado puesto a tierra de 3 tomas para 110/120 V CA (corriente alterna) 15 amperes.

ADVERTENCIA

A fin de reducir el riesgo de lesión personal o mortal debido a un choque eléctrico:

- **Observe todos los códigos y reglamentos locales.**
- Desenchufe la secadora antes de cualquier reparación.
- Ponga a tierra la secadora de manera correcta.
- Consulte con un electricista calificado si no está seguro de que este aparato esté debidamente puesto a tierra.
- **NO** ponga a tierra en una tubería de gas.
- **NO** ponga a tierra en una tubería de agua fría si la tubería contiene empaquetaduras plásticas, no metálicas u otros materiales aisladores (no conductores).
- **NO** modifique el enchufe del cordón eléctrico. Si el enchufe no calza en el tomacorriente eléctrico, haga instalar un tomacorriente apropiado por un electricista calificado.
- **NO** coloque un fusible en el circuito neutro o de puesta a tierra. Un fusible en el circuito neutro o de puesta a tierra puede ocasionar un choque eléctrico.
- **NO** use un adaptador con este electrodoméstico.
- **NO** use un cordón de extensión con este artefacto.
- **NO** apriete el cordón eléctrico.

ADVERTENCIA

A fin de evitar una lesión personal o mortal o daños materiales, debido a un incendio o explosión, se debe seguir estrictamente la información contenida en este manual:

- No almacene ni utilice gasolina u otros vapores y líquidos inflamables en la proximidad de éste o de cualquier otro artefacto.
- **QUE DEBE HACER SI PERCIBE OLOR A GAS**
 - **NO** trate de encender ningún artefacto eléctrico.
 - **NO** toque ningún interruptor eléctrico; **NO** use ningún teléfono en su edificio.
 - Llame inmediatamente a su proveedor de gas desde el teléfono de un vecino. Siga las instrucciones del proveedor de gas.
 - Si no logra comunicarse con su proveedor de gas, llame al departamento de bomberos.
- La instalación y el servicio de mantenimiento debe realizarlo un instalador calificado, la agencia de servicios o el proveedor de gas.

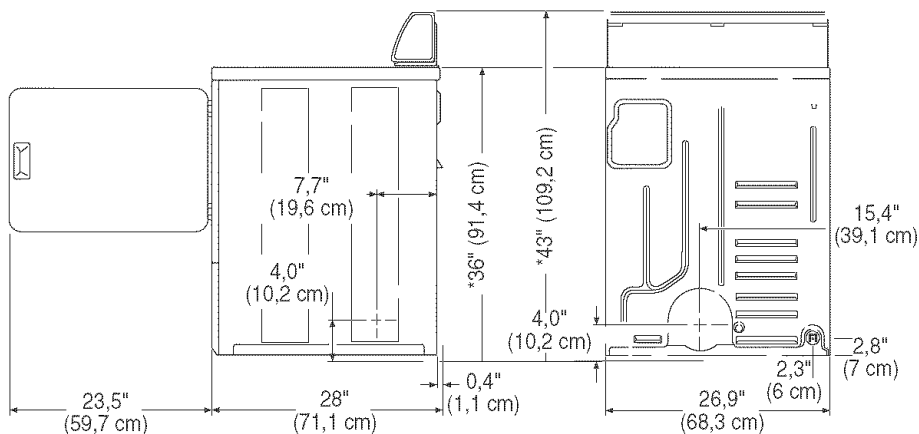
Conserve Estas Instrucciones

Requerimientos de Instalación

Antes de la instalación.....

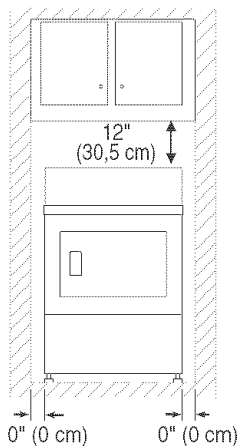
Requerimientos	Descripción
Ubicación	<p>Use las dimensiones indicadas en el manual para determinar el espacio necesario para la instalación. Coloque la secadora sobre suelo firme en un lugar con suministro de aire adecuado. La puerta de un closet debe tener por lo menos un respiradero de aire de 80 pulg² (517 cm²).</p> <p>No debe instalarse ningún otro artefacto que quemé combustible en el mismo closet con la secadora.</p> <p>La secadora no debe ser instalada o guardada en un lugar donde estará expuesta al agua y/o a las inclemencias del tiempo.</p> <p>La instalación en casas prefabricadas (móviles) debe ser de acuerdo con las Normas de Seguridad y Construcción de Casas Prefabricadas, Título 24 CFR, Parte 32-80 o la Norma CAN/CSA-Z240 MH.</p> <p>Las secadoras a gas deben ser permanentemente aseguradas al piso en el momento de la instalación.</p> <p>Solicite el Kit de Instalación de Secadora No. 526P3 para una instalación en una casa prefabricada (móvil).</p>
Requerimientos Eléctricos	<p>La secadora requiere un suministro eléctrico de 120 voltios, 15 amp., 60 Hz y un enchufe con puesta a tierra de 3 clavijas. El cordón eléctrico es de 69" (175 cm) de largo. No haga funcionar otros electrodomésticos en el mismo circuito cuando la secadora esté funcionando. Consulte la placa de serie para los requerimientos específicos. El diagrama del cableado se encuentra en el interior de la tapa del protector trasero.</p>
Gas	<p>Con alimentación a gas natural, capacidad térmica de 1000 Btu/pies³ (37,3 MJ/m³), el suministro debe ser a una presión de 6,5 + 1,5 pulgadas (columna de agua).</p> <p>Con alimentación a gas propano líquido, capacidad térmica de 2.500 Btu/pies³ (93,1 MJ/m³), el suministro debe ser a una presión de 10 + 1,5 pulgadas (columna de agua).</p> <p>NOTA: La secadora y su válvula de gas principal deben desconectarse de la tubería de suministro del gas durante cualquier prueba de la presión de la tubería cuando se utilicen presiones de prueba que sobrepasen 1/2 libra/pulg² (3,45 kPa). La secadora debe ser aislada de la tubería de suministro del gas cerrando la válvula de cierre del equipo durante cualquier prueba de la presión de la tubería de suministro del gas a presiones de prueba iguales o inferiores a 1/2 libra/pulg² (3,45 kPa).</p> <p>Cuando se conecta a una tubería de gas, se debe instalar una válvula de cierre del equipo a una distancia de 6' (1,8 m) de la secadora. Se debe instalar en la tubería un tapón de 1/8" NPT.</p> <p>El suministro de gas de una secadora a gas debe cumplir con todos los códigos y reglamentos locales o en ausencia de los códigos y reglamentos, con la última edición del Código Nacional de Gas Combustible ANSI Z223.1/NFPA 54 o el Código Nacional de Instalación de Gas CAN/CGA-B149. Se debe instalar el Accesorio de Venta LPK1 (Kit 649P3 de Conversión a Propano Líquido/Gas Propano). NO conecte la secadora a propano líquido/gas propano sin antes haber convertido la válvula del gas.</p>
Evacuación	<p>Use conducto rígido o semirígido y evacúe la secadora al exterior mediante la ruta más corta posible. Si el sistema de evacuación de la secadora no es apropiado, la garantía queda inválida.</p> <ul style="list-style-type: none">• El conducto de evacuación de la secadora debe estar asegurado a la estructura de la casa móvil. El conducto de evacuación NO DEBE terminar debajo de la casa móvil.• El conducto de evacuación no debe estar conectado a ningún otro conducto, respiradero o chimenea.• Los materiales de la ventilación no son suministrados con la secadora (obtener localmente). No use conducto flexible de plástico o papel metálico delgado.• La presión estática en el conducto de evacuación de la secadora no debe ser superior a 0,6 pulgadas (1,5 cm). Verifique con la secadora funcionando y sin carga. Esto puede ser medido con un manómetro colocado en el conducto de evacuación aproximadamente a dos pies (61 cm) de la secadora. <p>Para el mejor sistema de evacuación:</p> <ul style="list-style-type: none">• Ubique la secadora de modo que el conducto de evacuación sea tan corto como sea posible.• Verifique que los conductos antiguos estén limpios antes de instalar la nueva secadora.• Use un conducto rígido o de metal flexible de 4 pulgadas (10,2 cm) de diámetro.• Use cinta para conductos en todas las juntas.• Use la menor cantidad de codos que sea posible.

Ajustes y Verificación de la Instalación

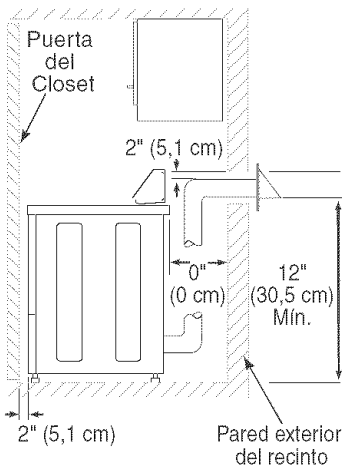


*Con los tornillos niveladores girados totalmente hacia el interior de la base

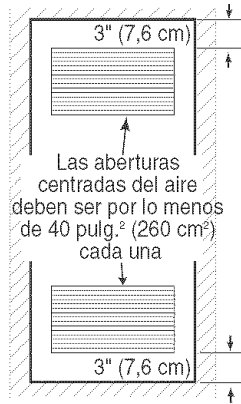
VISTA DE FRENTE
(sin la puerta del closet)



VISTA LATERAL



VISTA DE FRENTE
(Puerta del Closet)



Verificación de la Llama del Quemador

Para ver la llama del quemador, retire el panel inferior delantero de la secadora

⚠️ ADVERTENCIA

Para evitar una lesión personal o daños materiales, el panel delantero debe estar colocado en su lugar durante el funcionamiento normal de la secadora.

Cierre la puerta de carga de la secadora, ponga en marcha la secadora en un ajuste de calor (consulte la Guía del Usuario). La secadora comenzará a funcionar, el encendedor se enrojecerá y el quemador principal se encenderá.

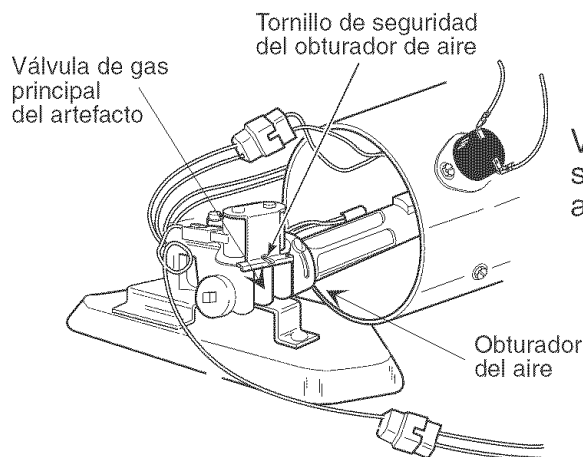
IMPORTANTE: Si no se ha purgado todo el aire de la tubería del gas, el encendedor del gas se apagará antes de que el gas se encienda. Si esto sucede, después de aproximadamente dos minutos el encendedor tratará nuevamente de encender el gas.

Después de que la secadora haya funcionado durante aproximadamente 5 minutos, observe la llama del quemador a través del panel inferior delantero. Ajuste el obturador del aire para obtener una llama suave uniforme de color azul. (una llama de punta amarilla indica falta de aire. Una llama fuerte, ruidosa muy azul indica demasiado aire.)

Ajuste del Flujo de Aire al Quemador

1. Afloje el tornillo de seguridad del obturador del aire.
2. Gire el obturador del aire a la izquierda para obtener una llama de punta amarilla luminosa, gírelo lentamente a la derecha para obtener una llama constante azul clara.
3. Después de ajustar el obturador de aire para obtener la llama apropiada, apriete firmemente el tornillo de seguridad del obturador del aire.

Después de que la secadora ha funcionado durante aproximadamente tres minutos, el aire de evacuación o el conducto de evacuación debe estar tibio.



Notes

MAYTAG • 403 West Fourth Street North • P.O. Box 39 • Newton, Iowa 50208