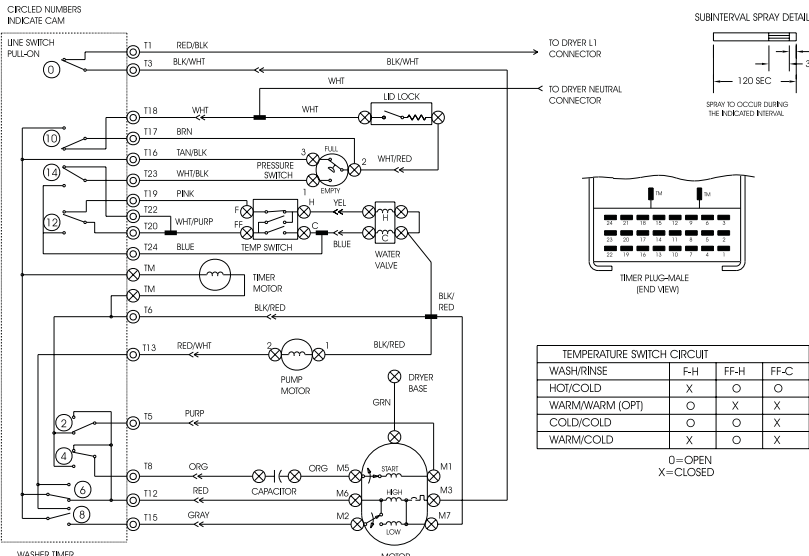
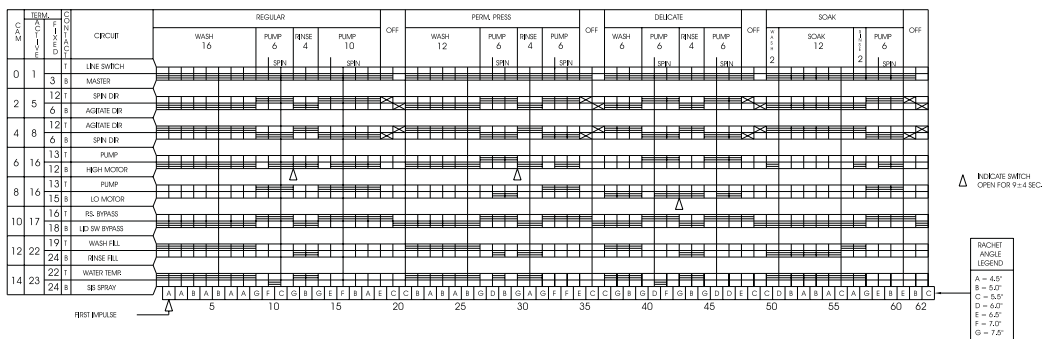


# WIRING DIAGRAM

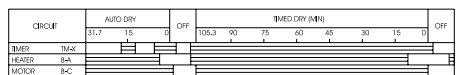
**CAUTION: DISCONNECT ELECTRIC CURRENT BEFORE SERVICING**



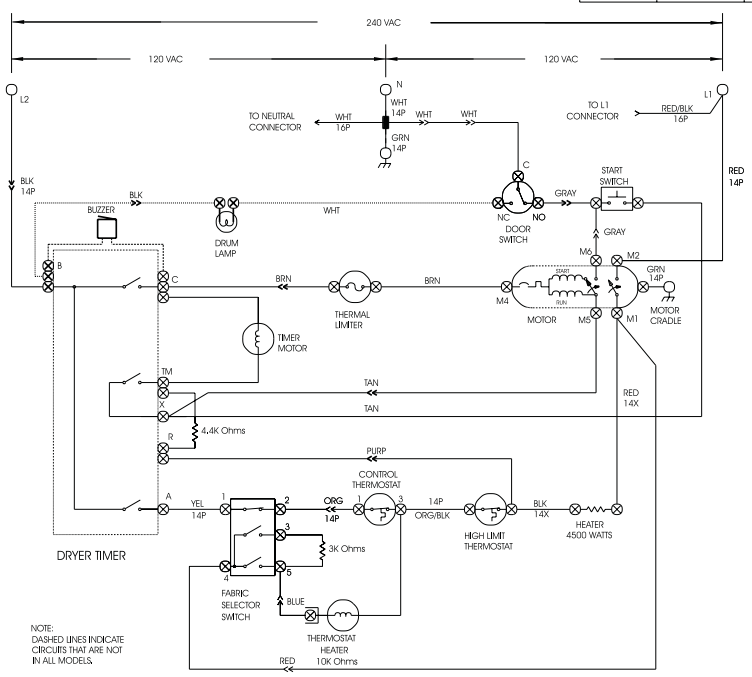
- WIRING CODES**
- ⊙ PULG-IN TIMER
  - ⊗ QUICK DISCONNECT TERMINAL
  - CONNECTION
  - + NO CONNECTION
  - ⊕ MOTOR SWITCH
  - ⊖ SPURCE
  - ⊙ MOTOR PROTECTOR
  - ⊖ CHASSIS (CABINET) GROUND
  - ⊙ SCREW TERMINAL
  - ⊖ HARNESS CONNECTOR TERMINAL
  - ⊗ INSULATED TERMINAL

- NOTES:**
- ALL WIRING MUST CONFORM TO LOCAL ELECTRICAL CODES.
  - CONNECT DRYER TO 30 AMP INDIVIDUAL BRANCH CIRCUIT.
  - DRYER TIMER SHOWN IN OFF POSITION. DOOR SWITCH CLOSED, MOTOR AT REST, AND THERMOSTAT CLOSED, AND FABRIC SELECTOR SWITCH AT HIGH HEAT.
- WASHER TIMER SHOWN IN ON POSITION. TEMPERATURE SELECTOR SWITCH AT HOT WASH/COLD RINSE, AND PRESSURE SWITCH FULL.

### CYCLES



THE BAR CHART ABOVE REPRESENTS ONE COMPLETE REVOLUTION OF TIMER SHAFT. SHADED PORTION OF BAR CHART INDICATES THE PROPORTIONAL TIMES THAT INTERNAL TIMER CONTACTS ARE CLOSED.



**FABRIC SELECTOR SWITCH**

POSITION	1-2	3-4	5-5
NO HEAT	O	O	O
LOW HEAT	X	O	X
MEDIUM HEAT	X	X	O
HIGH HEAT	X	O	O

X = CLOSED    O = OPEN

**DRYER HARNESS WIRE SPECIFICATIONS**

CODE	WIRE GAUGE	INSULATION MATERIAL AND VOLTAGE
18P	18	105°C PVC (POLYVINYLCHLORIDE)
16P	16	105°C PVC (POLYVINYLCHLORIDE)
14P	14	105°C PVC (POLYVINYLCHLORIDE)
14X	14	125°C XLINK

NOTE: ALL UNSPECIFIED WIRE CODES ARE 18G.

WIRING DIAGRAM  
P/N 131780000