



Gas Thin Twin Washer/Dryer

PRODUCT MODEL NUMBER

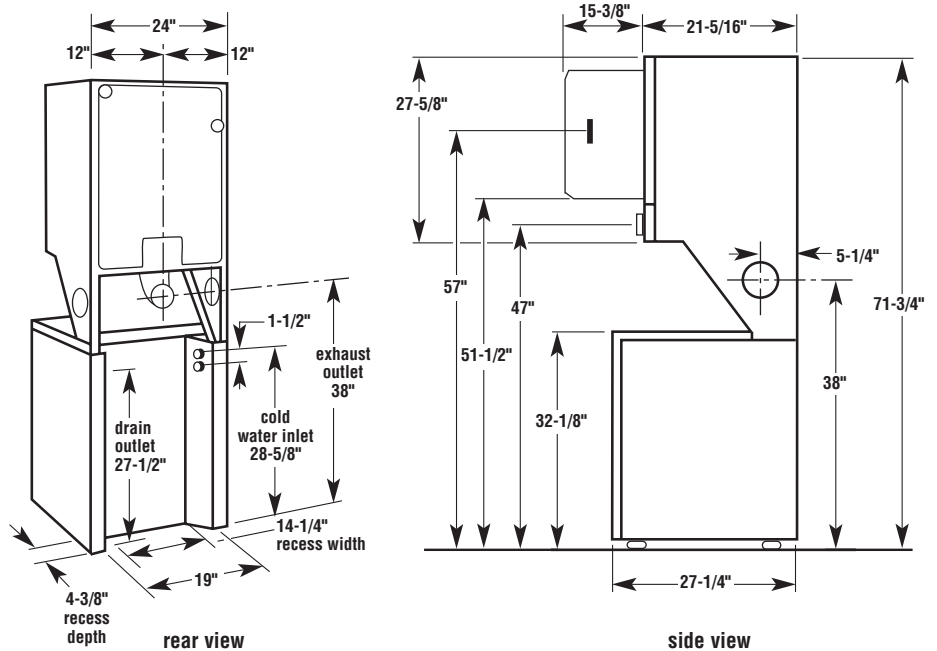
LG5243DQ

Gas supply: Dryer is equipped for use with NATURAL gas. Dryer can be converted to L.P. gas. When rigid pipe is used it should be 1/2 inch IPS. When acceptable to the gas supplier and local codes, 3/8-inch approved tubing may be used for lengths under 20 feet. For lengths over 20 feet, larger tubing should be used. Pipe-joint compounds resistant to the action of L.P. gas must be used. This washer/dryer is equipped with its own permanent, flexible gas connector, design-certified by CSA International, for connecting the appliance to the gas supply line. An individual manual shutoff valve must be installed within 6 feet of the dryer in accordance with the National Fuel Gas Code ANSI Z223.1.

Electrical: A 120-volt, 60-Hz, AC-only, electrical supply is required on a separate 15- or 20-ampere circuit, fused on both sides of the line. A time-delay fuse or circuit breaker is recommended.

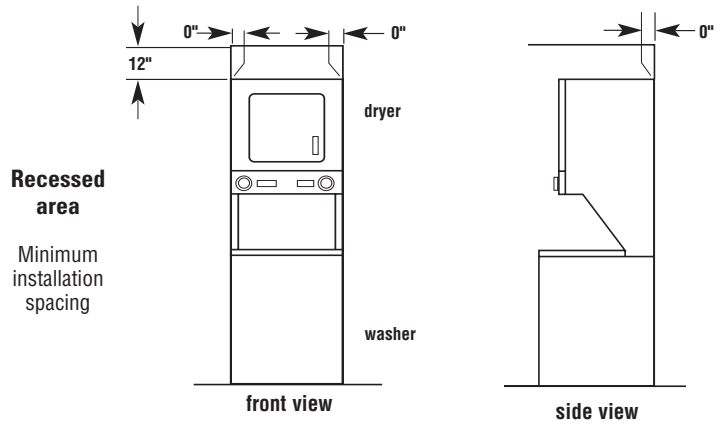
Exhaust venting: Exhaust your dryer to the outside. Four-inch diameter vent is required. Rigid or flexible metal exhaust vent must be used. Do Not use plastic or metal foil vent. Exhaust outlet hood must be at least 12 inches from the ground or any object that may be in the path of the exhaust.

OVERALL DIMENSIONS



RECESSED AREA AND CLOSET INSTALLATION

Additional clearance for wall, door and floor molding may be required. Additional space may be needed for exhaust elbow.



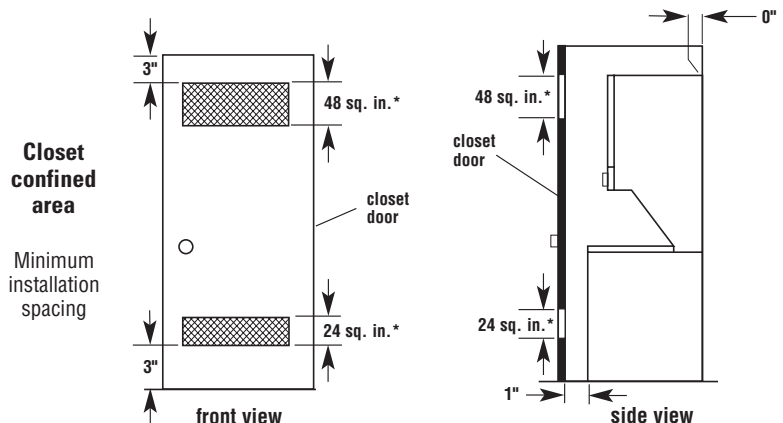
EXHAUST VENTING

Plan installation to use the fewest number of elbows and turns.

Maximum length of the exhaust system depends upon the type of vent used, number of elbows and the type of exhaust hood. The maximum length for both rigid and flexible vent is shown in the chart.

NUMBER OF 90° TURNS	Rigid metal vent (4" dia.)			vent type
	4" x 4" hood	4" x 4" hood	2-1/2" hood	
0	43 ft	41 ft	36 ft	rigid metal vent.
1	33 ft	31 ft	26 ft	
2	23 ft	21 ft	16 ft	
3	18 ft	18 ft	Not recommended	
0	30 ft	29 ft	24 ft	flexible metal vent.
1	24 ft	23 ft	18 ft	
2	16 ft	15 ft	10 ft	
3	10 ft	9 ft	Not recommended	

The maximum length using a 2" x 6" rectangular vent with 2 elbows and a 2-1/2" exhaust hood is 8 ft.



Unobstructed air openings are minimum for closet door. Louvered door with equivalent air openings is acceptable.