

WASHER INSTALLATION INSTRUCTIONS

INSTRUCCIONES PARA LA INSTALACIÓN DE LA LAVADORA

Table of Contents/Índice

WASHER SAFETY 1 INSTALLATION REQUIREMENTS 2 Tools and Parts 2 Location Requirements 3 Drain System 3 Electrical Requirements 4 INSTALLATION INSTRUCTIONS 4 Before You Start 4 Remove Shipping Strap 4 Connect Drain Hose 5 Connect the Inlet Hoses 5 Secure the Drain Hose 6 Level the Washer 7 Complete Installation 8	SEGURIDAD DE LA LAVADORA 9 REQUISITOS PARA LA INSTALACIÓN 9 Piezas y herramientas 9 Requisitos para la ubicación 10 Sistema de desagüe 11 Requisitos de la conexión eléctrica 11 INSTRUCCIONES DE INSTALACIÓN 12 Antes de comenzar 12 Cómo quitar el fleje de empaque 12 Conexión de la manguera de desagüe 13 Conexión de las mangueras de entrada 13 Fijación de la manguera de desagüe 15 Nivelación de la lavadora 15 Complete la instalación 16
---	--

WASHER SAFETY

Your safety and the safety of others are very important.

We have provided many important safety messages in this manual and on your appliance. Always read and obey all safety messages.



This is the safety alert symbol.

This symbol alerts you to potential hazards that can kill or hurt you and others.

All safety messages will follow the safety alert symbol and either the word "DANGER" or "WARNING."

These words mean:

⚠ DANGER

You can be killed or seriously injured if you don't immediately follow instructions.

⚠ WARNING

You can be killed or seriously injured if you don't follow instructions.

All safety messages will tell you what the potential hazard is, tell you how to reduce the chance of injury, and tell you what can happen if the instructions are not followed.

INSTALLATION REQUIREMENTS

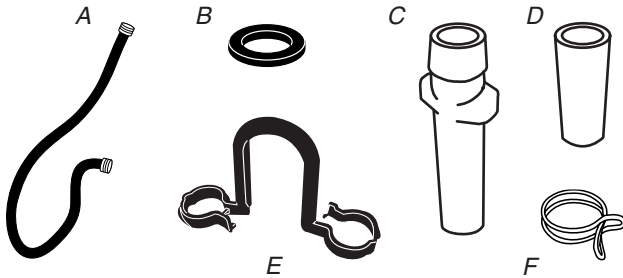
Tools and Parts

Gather the required tools and parts before starting installation. The parts supplied are in the washer basket.

Tools needed for connecting the drain hose and water inlet hoses:

- Pliers that open to 3.95 cm (1 $\frac{5}{16}$ ")
- Flashlight (optional)

Parts supplied:



- A. Water inlet hoses (2)
- B. Flat water inlet hose washers (4)
- C. Drain hose extension
- D. Drain hose coupling
- E. Drain hose form
- F. Hose clamp (2)

Tools needed for securing the drain hose and leveling the washer:

- Adjustable or open end wrench 14 mm ($\frac{9}{16}$ ")
- Level
- Wood block
- Ruler or measuring tape

Parts supplied:



- A. Beaded tie strap
- B. Front leveling feet with nuts (2)

Alternate Parts

Your installation may require additional parts. For ordering information, please refer to the toll free phone numbers on the front page of the Washer User Instructions.

If You Have:	You Will Need to Buy:
Laundry tub or standpipe taller than 2.4 m (96")	Sump pump system (if not already available)
Overhead sewer	Standard 76 L (20 gal.) 99 cm (39") tall drain tub or utility sink, sump pump and connectors (available from local plumbing suppliers)
Floor drain	Siphon break, Part Number 285320; additional drain hose, Part Number 3357090 and connector kit, Part Number 285442
Water faucets beyond reach of fill hoses	2 longer water fill hoses: 1.8 m (6 ft) Part Number 76314, 3.0 m (10 ft) Part Number 350008
Drain hose too short	Drain hose, Part Number 388423 and hose kit, Part Number 285442
Drain hose that is too long	Hose kit, Part Number 285442
Lint clogged drain	Drain protector, Part Number 367031

Location Requirements

Selecting the proper location for your washer improves performance and minimizes noise and possible washer “walk.” Your washer can be installed in a basement, laundry room, closet, or recessed area. See “Drain System.”

IMPORTANT: Do not install or store the washer where it will be exposed to the weather.

Proper installation is your responsibility.

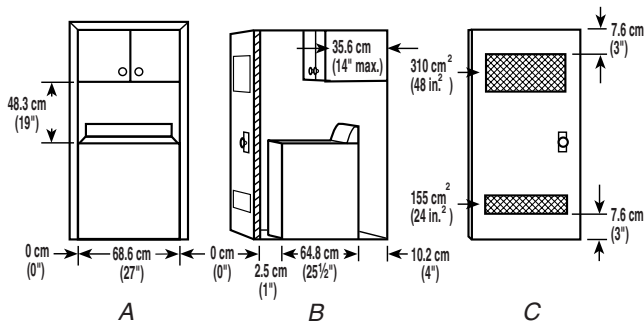
You will need:

- A water heater set to deliver 49°C (120°F) water to the washer.
- An earthed electrical outlet located within 1.2 m (4 ft) of where the power cord is attached to the back of the washer. See “Electrical Requirements.”
- Hot and cold water faucets located within 90 cm (3 ft) of the hot and cold water fill valves, and water pressure of 34.5–690 kPa (5–100 psi). Washers with triple dispensers require 138–690 kPa (20–100 psi) for best performance.
- A level floor with a maximum slope of 2.5 cm (1") under entire washer. Installing the washer on carpeting is not recommended.
- A sturdy floor to support the washer weight (washer, water and load) of 143 kg (315 lbs).

Do not store or operate your washer in temperatures at or below 0°C (32°F). Some water can remain in the washer and can cause damage in low temperatures. See “Washer Care” in the Washer User Instructions for winterizing information.

Recessed area or closet installation

The dimensions shown are for the recommended spacing allowed (A and B), except the closet door ventilation openings. The dimensions shown for the closet door ventilation openings (C) are the minimum required.



A. Front view
B. Side view
C. Closet door with vents

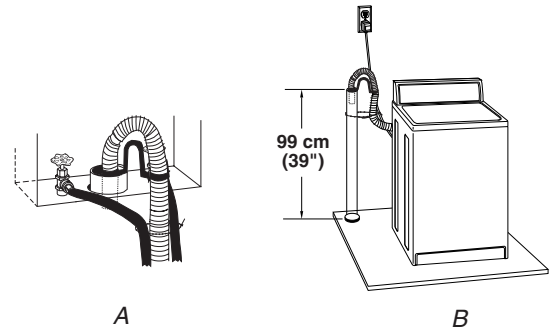
- Additional spacing should be considered for ease of installation and servicing.
- Additional clearances may be required for wall, door and floor moldings.
- Additional spacing of 2.5 cm (1") on all sides of the washer is recommended to reduce noise transfer.
- If a closet door is installed, the minimum air openings in the top and bottom of the door are required (C). Louvered doors with air openings in the top and bottom are acceptable.
- Companion appliance spacing should also be considered.

Drain System

The washer can be installed using the standpipe drain system (floor or wall), the laundry tub drain system, or the floor drain system. Select the drain hose installation method you need. See “Tools and Parts.”

Standpipe drain system - wall or floor (views A & B)

The standpipe drain requires a minimum diameter standpipe of 5 cm (2"). The minimum carry-away capacity can be no less than 64 L (17 gal.) per minute. A 5 cm (2") diameter to 2.5 cm (1") diameter standpipe adapter kit is available. See “Tools and Parts.” The top of the standpipe must be at least 99 cm (39") high and no higher than 244 cm (96") from the bottom of the washer.



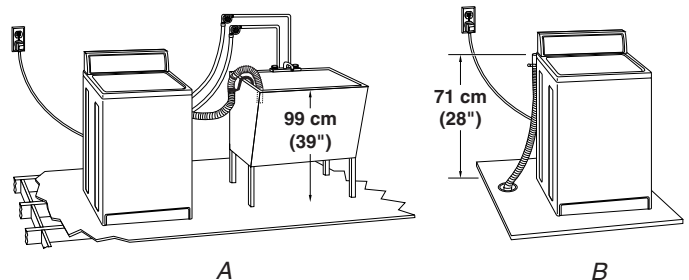
Laundry tub drain system (view A)

The laundry tub needs a minimum 76 L (20 gal.) capacity. The top of the laundry tub must be at least 99 cm (39") above the floor and no higher than 244 cm (96") from the bottom of the washer.

Floor drain system (view B)

The floor drain system requires a siphon break that may be purchased separately. See “Tools and Parts.”

The siphon break must be a minimum of 71 cm (28") from the bottom of the washer. Additional hoses might be needed.



Electrical Requirements

⚠ WARNING



Electrical Shock Hazard

Electrically earth this appliance.

Do not use an extension cord or an electrical portable outlet device.

Failure to follow these instructions can result in death, fire, or electrical shock.

- A 120 volt, 50 Hz., AC only, 15- or 20-amp, fused electrical supply is required. A time-delay fuse or circuit breaker is recommended. It is recommended that a separate circuit serving only this appliance be provided.
- This washer is equipped with a power supply cord having an earthing plug.
- To minimize possible shock hazard, the cord must be plugged into a mating, earthing-type outlet, earthed in accordance with local codes and ordinances. If a mating outlet is not available, it is the personal responsibility and obligation of the customer to have the properly earthed outlet installed by a qualified electrician.
- If codes permit and a separate earth wire is used, it is recommended that a qualified electrician determine that the earth path is adequate.

- Do not earth to a gas pipe.
- Check with a qualified electrician if you are not sure the washer is properly earthed.
- Do not have a fuse in the neutral or earth circuit.

EARTHING INSTRUCTIONS

For an earthed, cord-connected washer:

This washer must be earthed. In the event of a malfunction or breakdown, earthing will reduce the risk of electrical shock by providing a path of least resistance for electric current. This washer is equipped with a cord having an equipment-earthing conductor and an earthing plug. The plug must be plugged into an appropriate outlet that is properly installed and earthed in accordance with all local codes and ordinances.

WARNING: Improper connection of the equipment-earthing conductor can result in a risk of electric shock. Check with a qualified electrician or serviceman if you are in doubt as to whether the appliance is properly earthed.

Do not modify the plug provided with the appliance – if it will not fit the outlet, have a proper outlet installed by a qualified electrician.

For a permanently connected washer:

This washer must be connected to an earthed metal, permanent wiring system, or an equipment earthing conductor must be run with the circuit conductors and connected to the equipment-earthing terminal or lead on the appliance.

INSTALLATION INSTRUCTIONS

Before You Start

⚠ WARNING

Excessive Weight Hazard

Use two or more people to move and install washer.

Failure to do so can result in back or other injury.

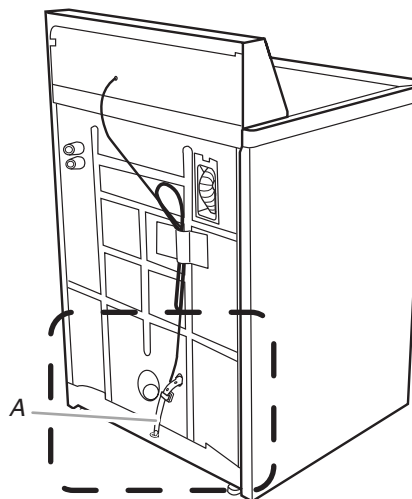
NOTE: To avoid floor damage, set the washer onto cardboard before moving across floor.

Remove Shipping Strap

Removing the shipping strap is necessary for proper operation. If the shipping strap is not removed, the washer will make excessive noise.

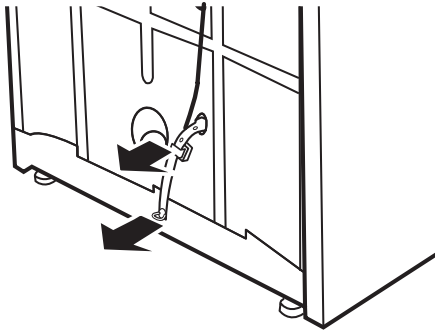
1. Move the washer to within approximately 90 cm (3 ft) of its final location.
2. The washer must be in the upright position and not tilted before removing the shipping strap.

3. Locate the yellow shipping strap on the rear of the machine near the bottom.

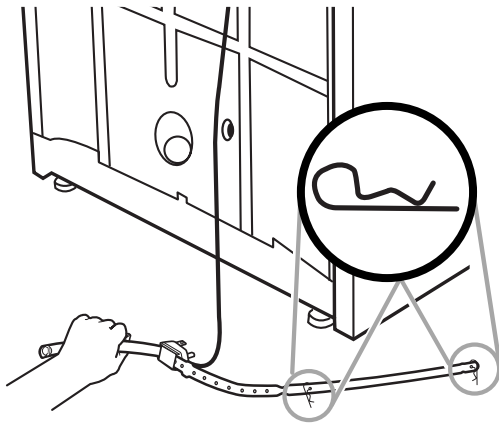


A. Yellow shipping strap

4. Pull yellow shipping strap firmly, until both ends are completely removed from washer.



5. Check that the two (2) cotter pins were removed with the shipping strap.

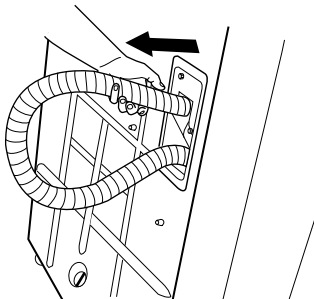


Connect Drain Hose

Proper connection of the drain hose protects your floors from damage due to water leakage. Read and follow these instructions. The drain hose is connected to your washer and is stored inside the washer cabinet.

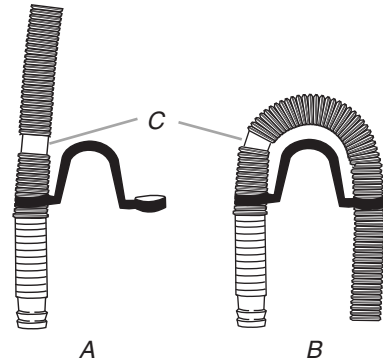
Remove drain hose from washer cabinet

Gently pull the corrugated drain hose out of the washer from the top of the hose. Continue to pull the hose until the end emerges. Do not force excess drain hose back into the rear of the washer.



Laundry tub drain or standpipe drain

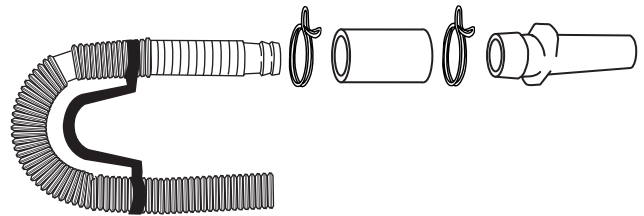
Connecting the drain hose form to the corrugated drain hose



- Place end of drain hose form around hose at drain hose relief. Squeeze the latch of the drain hose form until it snaps into place.
- Place the other end of the drain hose form around one of the remaining drain hose reliefs. Squeeze the latch of the drain hose form until it snaps into place.
- Drain hose relief

If drain hose does not fit into standpipe or if placing over the edge of a laundry tub:

- Insert end of coupling onto the drain hose extension. Using pliers, install hose clamp.
- Then slide the second hose clamp over end of drain hose. Insert end of coupling onto the end of the drain hose. Using pliers, install second hose clamp over coupling.



To keep drain water from going back into the washer:

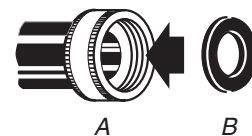
- Do not force excess drain hose into standpipe. Hose should be secure but loose enough to provide a gap for air.
- Do not lay excess hose on the bottom of the laundry tub.

Floor drain

Do not install the drain hose form on to the corrugated drain hose. You may need additional parts. See Floor drain under "Tools and Parts."

Connect the Inlet Hoses

1. Insert new flat washers (supplied) into each end of the inlet hoses. Firmly seat the washers in the couplings.

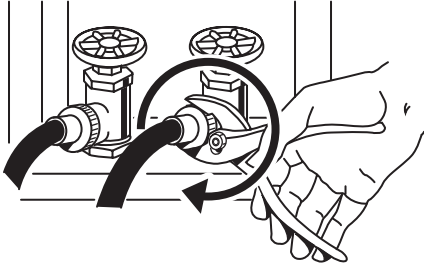


A. Coupling
B. Washer

Connect the inlet hoses to the water faucets

Make sure the washer basket is empty.

1. Attach the hose labeled hot to the hot water faucet. Screw on coupling by hand until it is seated on the washer.
2. Attach the hose labeled cold to the cold water faucet. Screw on coupling by hand until it is seated on the washer.
3. Using pliers, tighten the couplings with an additional two-thirds turn.

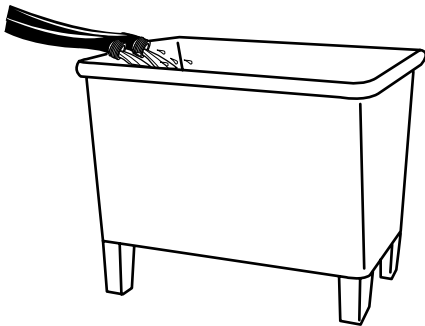


Tighten the couplings with an additional two-thirds turn.

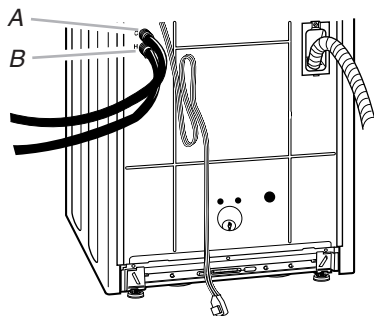
NOTE: Do not overtighten or use tape or sealants on the valve. Damage to the valves can result.

Clear the water lines

- Run water through both faucets and inlet hoses, into a laundry tub, drainpipe or bucket, to get rid of particles in the water lines that might clog the inlet valve screens.
- Check the temperature of the water to make sure that the hot water hose is connected to the hot water faucet and that the cold water hose is connected to the cold water faucet.



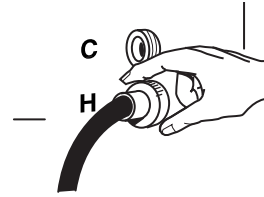
Connect the inlet hoses to the washer



A. Cold water inlet valve
B. Hot water inlet valve

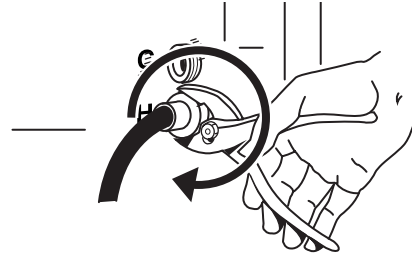
1. Attach the hot water hose to the bottom inlet valve.

2. Attaching the hot water coupling first makes it easier to tighten connection with pliers.
3. Screw on coupling by hand until it is seated on the washer.



4. Using pliers, tighten the couplings with an additional two-thirds turn.

NOTE: Do not overtighten or use tape or sealants on the valve. Damage to the valves can result.



5. Attach the cold water hose to the top inlet valve.
6. Screw on coupling by hand until it is seated on the washer.
7. Using pliers, tighten the couplings with an additional two-thirds turn.

NOTE: Do not overtighten or use tape or sealants on the valve. Damage to the valves can result.

Check for leaks

- Turn on the water faucets and check for leaks. A small amount of water might enter the washer. You will drain this later.

NOTE: Replace inlet hoses after 5 years of use to reduce the risk of hose failure. Record hose installation or replacement dates for future reference.

- If you connect only one water hose, you must cap off the remaining water inlet port.
- Periodically inspect and replace hoses if bulges, kinks, cuts, wear, or leaks are found.

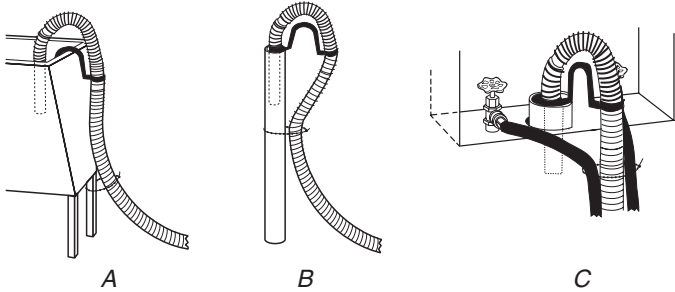
Secure the Drain Hose

1. Remove the shipping strap from the power cord. Drape the power cord over the console.
2. Remove any cardboard used to move washer.



Beaded tie strap

3. Wrap the drain hose to the laundry tub leg or drain standpipe with the beaded tie strap. Push fastener into the nearest hole in the beaded tie strap. See view A or B.



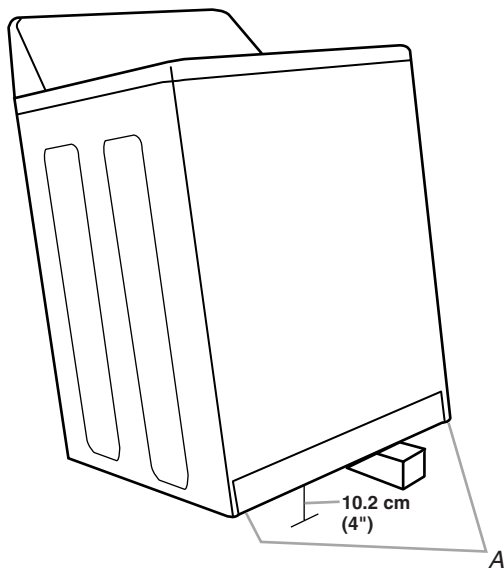
If the washer faucets and the drain standpipe are recessed, put the formed end of the drain hose into the standpipe. Tightly wrap the tie strap around the water inlet hoses and the drain hose. See view C.

Level the Washer

Properly leveling your washer averts excessive noise and vibration.

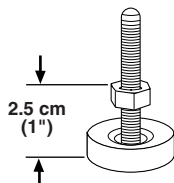
Install the Front Leveling Feet

1. Prop up the front of the washer about 10.2 cm (4") with a wood block or similar object. The block needs to support the weight of the washer.



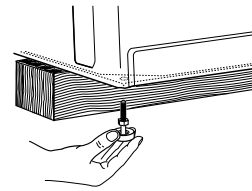
A. Threaded holes for feet

2. Screw the locknut onto each foot to within 2.5 cm (1") of the foot base.



3. Screw the feet into the threaded holes at the front corner of the washer until the nuts touch the washer. Twist the feet to install.

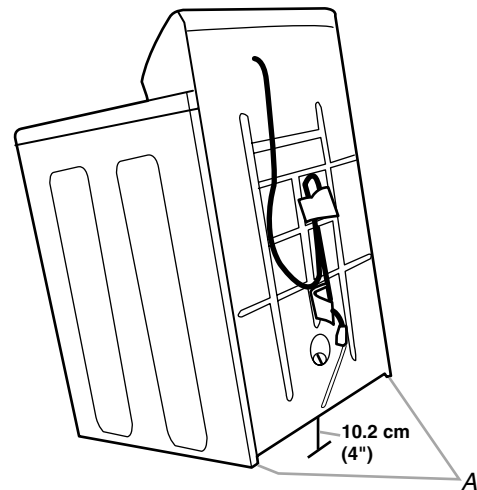
NOTE: Do not tighten the nuts until the washer is level.



4. Tilt the washer back and remove the wood block. Gently lower the washer to the floor.

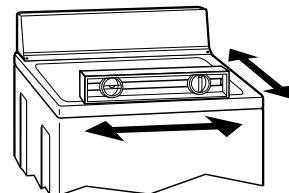
Steps in Final Location

1. Slide the washer to its final location.
2. Tilt the washer forward until the rear of the washer is at least 10.2 cm (4") off the floor. You may hear the self-adjusting rear feet click into place. Lower the washer to the floor.



A. Self-adjusting feet

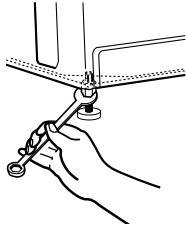
3. Check the levelness of the washer by placing a level on the top edges of the washer, first side to side, then front to back.



4. If the washer is not level, move the washer out slightly, tip back, prop up the front of the washer with the wood block and adjust the feet up or down as necessary by twisting the feet. Turn the feet clockwise to raise the washer or counterclockwise to lower the washer. Repeat steps 1 through 4 until washer is level.

5. After the washer is in its final location and level, use a 14 mm or $\frac{9}{16}$ " open-end wrench to turn the nuts counterclockwise on the feet tightly against the washer cabinet.

IMPORTANT: If the nuts are not tight against the washer cabinet, the washer may vibrate.



Complete Installation

1. Check the electrical requirements. Be sure that you have the correct electrical supply and the recommended earthing method. See "Electrical Requirements."
2. Check that parts are now installed. If there is an extra part, go back through the steps to see which step was skipped.
3. Check that you have all of your tools.
4. Check that the yellow shipping strap was completely removed from the lower back of the washer.
5. Dispose of or recycle all packaging materials.
6. Check that the water faucets are on.
7. Check for leaks around faucets and inlet hoses.

⚠ WARNING



Electrical Shock Hazard

Electrically earth this appliance.

Do not use an extension cord or an electrical portable outlet device.

Failure to follow these instructions can result in death, fire, or electrical shock.

8. Plug into an earthed outlet.
9. Remove the protective film on the console and any tape remaining on the washer.
10. Read "Washer Use" in the Washer User Instructions.
11. To test and to clean your washer, measure $\frac{1}{2}$ of the normal recommended amount of powdered or liquid detergent and pour it into the washer basket or detergent dispenser (on some models). Close the lid. Select any cycle, and then pull the cycle control knob out to start the washer. Allow it to complete one whole cycle.

INSTRUCCIONES PARA LA INSTALACIÓN DE LA LAVADORA

SEGURIDAD DE LA LAVADORA

Su seguridad y la seguridad de los demás es muy importante

En este manual y en su equipo hemos incorporado muchas advertencias importantes de seguridad. Siempre lea y cumpla todos los mensajes de seguridad



Este es el símbolo de alerta de seguridad.

Este símbolo le alerta sobre peligros potenciales que pueden ocasionarle la muerte o una lesión a usted y a los demás.

Todos los mensajes de seguridad aparecerán después del símbolo de advertencia y de la palabra "PELIGRO" o "ADVERTENCIA". Estas palabras significan:

⚠ PELIGRO

Si no sigue las instrucciones de inmediato, usted puede morir o sufrir una lesión grave.

⚠ ADVERTENCIA

Si no sigue las instrucciones, usted puede morir o sufrir una lesión grave.

Todos los mensajes de seguridad le harán saber cuál es el peligro potencial, le dirán cómo reducir las posibilidades de sufrir una lesión y lo que puede suceder si no se siguen las instrucciones.

REQUISITOS PARA LA INSTALACIÓN

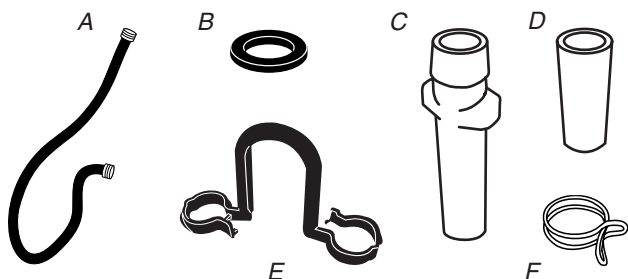
Piezas y herramientas

Antes de comenzar la instalación, reúna las herramientas y piezas necesarias. Las piezas suministradas están en la canasta de la lavadora.

Herramientas necesarias para la conexión de la manguera de desagüe y las mangueras de entrada de agua:

- Alicates con una abertura de 3,95 cm (1 5/16 pulg.)
- Linterna (opcional)

Piezas suministradas:



A. Mangueras de entrada de agua (2)

B. Arandelas para las mangueras de agua (4)

C. Extensión para la manguera de desagüe

D. Conexión para la manguera de desagüe

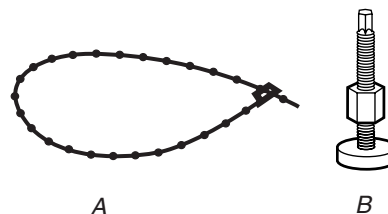
E. Molde sujetador para la manguera de desagüe

F. Abrazadera para sujetar la manguera (2)

Herramientas necesarias para instalar la manguera de desagüe y nivelar la lavadora:

- Llave ajustable o de extremo abierto de 14 mm (9/16")
- Nivel
- Bloque de madera
- Regla o cinta métrica

Piezas suministradas:



A. Fleje de amarre rebordeado

B. Patas niveladoras delanteras con tuercas (2)

Piezas alternativas

La instalación podría requerir otras piezas. Para información sobre cómo ordenar, remítase a los teléfonos sin cargo que están en la portada de las Instrucciones para el usuario de la lavadora.

Si tiene:	Debe comprar:
Un tambor de lavado o un depósito vertical de más de 2,4 m (96") de altura	Sistema de bomba de sumidero (si aún no está disponible)
Un sumidero elevado	Tanque de desagüe estándar de 76 L (20 gal.) y 99 cm (39") de altura, o lavadero utilitario, bomba de sumidero y conectores (disponible en ferreterías)
Desagüe por el piso	Sifón tipo T, pieza número 285320; manguera de desagüe adicional, pieza número 3357090; y kit de conectores, pieza número 285442
Llaves de agua fuera del alcance de las mangueras de llenado	2 mangueras de llenado del agua más largas: una de 6 pies pieza número 76314, y otra de 10 pies pieza número 350008
Una manguera de desagüe muy corta	Manguera de desagüe, pieza número 388423 y kit de manguera, pieza número 285442
Manguera de desagüe demasiado larga	Kit de manguera, pieza número 285442
Desagüe obstruido por pelusa	Protector del desagüe, pieza número 367031

Requisitos para la ubicación

La selección de una ubicación apropiada para su lavadora aumenta el rendimiento y reduce al mínimo el ruido y posibles "desplazamientos" del equipo.

Usted puede instalarla en un sótano, en un cuarto de lavado, en un clóset o en un lugar empotrado. Vea "Sistema de Desagüe".

IMPORTANTE: No instale o almacene esta lavadora donde quede expuesta a la intemperie.

La instalación correcta es su responsabilidad.

Usted necesitará:

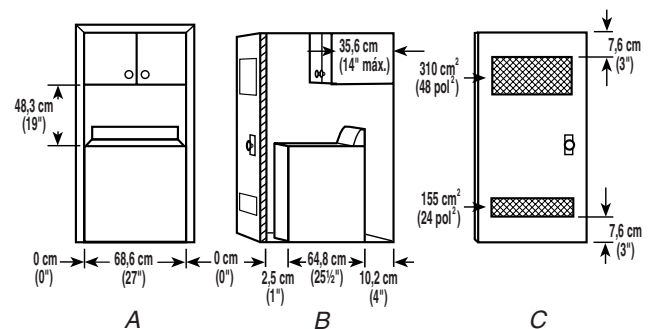
- Un calentador de agua para suministrarle a la lavadora agua a 49°C (120° F).
- Un enchufe con conexión a tierra ubicado a 4 pies del lugar donde el cable eléctrico está fijado a la parte posterior de la lavadora. Vea "Requisitos eléctricos".

- Llaves de agua caliente y de agua fría, ubicadas a unos 3 pies de las válvulas de llenado y con una presión de 34.5-690 kPa (5-100 lbs/pg²). Para un rendimiento óptimo, las lavadoras con dispensadores triples requieren 138-690 kPa (20-100 lbs/pg²) para un rendimiento óptimo.
- Un piso nivelado con una inclinación máxima de 2,5 cm (1") debajo de la lavadora. No se recomienda instalar la lavadora sobre pisos alfombrados.
- Un piso resistente que sostenga el peso de la lavadora (la lavadora, el agua y la carga de ropa) de 315 libras.

No guarde ni opere su lavadora a temperaturas iguales o inferiores a 0°C (32° F). El agua que quede en la lavadora podría ocasionar daños a bajas temperaturas. Para saber cómo acondicionar la lavadora en el invierno, vea "Cuidado de la lavadora" en las Instrucciones para el usuario.

Instalación en un área empotrada o en un clóset

Las dimensiones que se ilustran son para los espacios recomendados permitidos (A y B) excepto las aberturas de ventilación de la puerta del clóset. Las dimensiones que se muestran para éstas (C) son los espacios mínimos requeridos.



A. Vista frontal

B. Vista lateral

C. Puerta de clóset con orificios de ventilación

- Debe considerarse dejar un espacio adicional para facilitar la instalación y eventuales mantenimientos.
- Se podrían necesitar espacios adicionales para las molduras de la pared, de la puerta y del piso.
- Para reducir la transferencia de ruidos se recomienda dejar espacios adicionales de 2,5 cm (1") en todos los lados de la lavadora.
- Si se instala una puerta de clóset, se requieren aberturas de ventilación mínimas en la parte superior e inferior de ésta (C). Son aceptables las puertas con persianas que tengan aberturas de aire en la parte superior e inferior.
- También se debe considerar espacio adicional para otro electrodoméstico complementario.

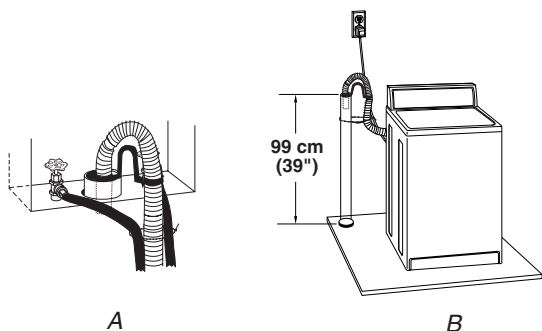
Sistema de desagüe

Se puede instalar la lavadora utilizando como vía de desagüe el sistema de tubo vertical (en el piso o en la pared), el sistema de desagüe por el lavadero, o el sistema de desagüe por el piso. Seleccione el método de instalación de la manguera de desagüe que usted necesite. Vea "Piezas y herramientas".

Sistema de desagüe por tubo vertical - en la pared o en el piso (gráficas A y B)

El desagüe por tubo vertical necesita un tubo con un diámetro mínimo de 5 cm (2"). La capacidad mínima de desagüe no puede ser menor de 64 L (17 gal.) por minuto. Se dispone de un juego de adaptador para tubo vertical de 5 cm (2") de diámetro a 2,5 cm (1"). Vea "Piezas y herramientas".

La parte superior del tubo vertical debe tener una altura mínima de 99 cm (39") y máxima de 243,8 cm (96") a partir de la parte inferior de la lavadora.



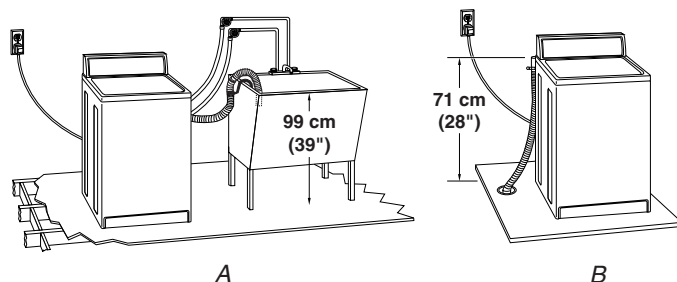
Sistema de desagüe por el lavadero (gráfica A)

El lavadero debe tener una capacidad mínima de 75,7 L (20 gal.). La parte superior del lavadero debe tener por lo menos 99 cm (39") por encima del piso y a no más de 244 cm (96") a partir de la parte inferior de la lavadora.

Sistema de desagüe por el piso (gráfica B)

Para el sistema de desagüe por el piso se necesita un sifón tipo T, que puede adquirirse por separado. Vea "Piezas y herramientas".

El sifón debe estar a una distancia mínima de 71 cm (28") de la parte inferior de la lavadora. Podrían ser necesarias mangueras adicionales.



Requisitos de la conexión eléctrica

⚠ ADVERTENCIA



Peligro de descarga eléctrica

Conecte este aparato a tierra.

No use una extensión eléctrica o un dispositivo de enchufe eléctrico portátil.

No seguir estas instrucciones puede ocasionar la muerte, un incendio o una descarga eléctrica.

- Se necesita un voltaje de 120 voltios con frecuencia de 50 hertzios, sólo CA, y fusibles de protección de 15 o 20 amperios. Se recomienda un fusible retardador o un cortacircuito. Asimismo se recomienda el uso de un circuito independiente para la lavadora.

- Este equipo viene equipado con un cable eléctrico dotado de un enchufe con conexión a tierra.
- Para reducir el riesgo de posibles descargas eléctricas, el cable debe ser conectado a un tomacorriente de pared conectado a tierra conforme a los códigos y normas locales. Si no se dispone de una salida equivalente, es responsabilidad y obligación del cliente gestionar que un electricista calificado instale una conexión a tierra apropiada.
- Si los códigos lo permiten y se emplea un alambre de conexión a tierra separado, es recomendable que un electricista calificado determine si el cable de conexión a tierra es el adecuado.
- No utilice una tubería de gas como conexión de tierra.
- Si no está seguro de que la conexión a tierra de la lavadora sea la apropiada, consúltelo con un electricista competente.

- No instale fusibles en el circuito neutro o de conexión a tierra.

INSTRUCCIONES PARA LA CONEXIÓN A TIERRA

Para una lavadora conectada a tierra con cable eléctrico:

Esta lavadora debe conectarse a tierra. En caso de una falla o avería, la conexión a tierra reducirá el riesgo de una descarga eléctrica ya que proporciona una vía de menor resistencia para la corriente eléctrica. Esta lavadora viene equipada con un cable eléctrico que tiene un conductor de conexión a tierra del equipo y un enchufe con conexión a tierra. El enchufe debe conectarse en un tomacorriente de pared adecuado, que haya sido debidamente instalado y conectado a tierra de conformidad con todos los códigos y ordenanzas locales.

ADVERTENCIA: La conexión incorrecta del conductor a tierra del equipo conlleva el riesgo de una descarga eléctrica. Si tiene duda alguna en cuanto a la correcta conexión a tierra de la lavadora, consulte con un electricista o un técnico calificado.

No modifique el enchufe provisto con el electrodoméstico. Si éste no encaja en el tomacorriente de pared, pida a un electricista calificado que le instale uno apropiado.

Para una lavadora con conexión eléctrica permanente:

Esta lavadora debe conectarse a un sistema de cableado con conexión permanente a tierra por medio de un metal o se debe instalar un alambre de tierra junto con los alambres del circuito y conectarse a la terminal o al alambre de tierra del equipo en el electrodoméstico.

INSTRUCCIONES DE INSTALACIÓN

Antes de comenzar

⚠ ADVERTENCIA

Peligro de peso excesivo

Auxílese de dos o más personas para mover e instalar la lavadora.

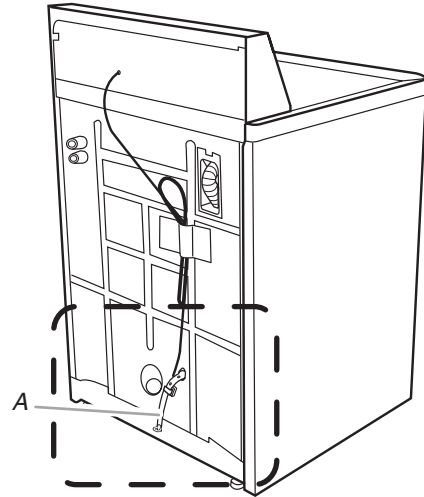
No seguir esta instrucción puede ocasionar una lesión de espalda o de cualquier otro tipo.

NOTA: Para prevenir daños en el piso, coloque la lavadora sobre un cartón antes de arrastrarla por el piso.

Cómo quitar el fleje de empaque

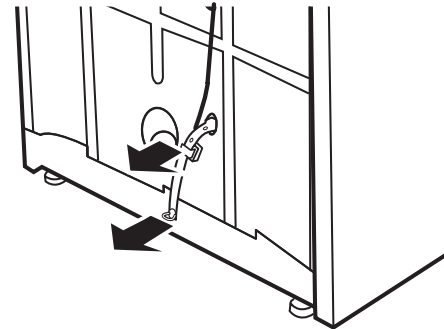
Para un funcionamiento adecuado es necesario quitar el fleje de empaque ya que si no se quita, la lavadora producirá ruido excesivo.

1. Mueva la lavadora a unos 90 cm (3 pies) de su ubicación definitiva.
2. Al quitar el fleje, la lavadora debe estar en posición vertical y sin inclinación.
3. Localice el fleje amarillo en la parte posterior de la lavadora, cerca de la base.

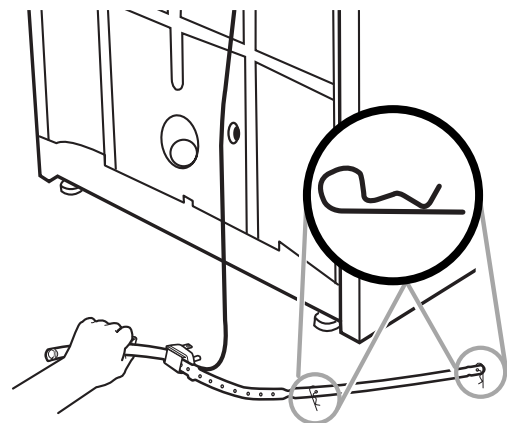


A. Fleje amarillo

4. Hale el fleje amarillo con firmeza hasta sacar ambos extremos fuera de la lavadora.



5. Verifique que las dos (2) chavetas se hayan quitado junto con el fleje.



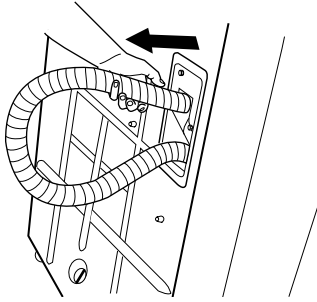
Conexión de la manguera de desagüe

Para proteger sus pisos de los daños ocasionados por las fugas de agua, conecte correctamente la manguera de desagüe. Lea y siga estas instrucciones.

La manguera de desagüe está conectada a su lavadora y se guarda dentro del tambor de lavado.

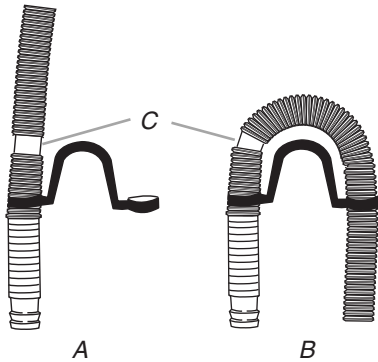
Saque la manguera de desagüe del tambor de lavado

Saque con cuidado la manguera corrugada de la lavadora agarrándola por la parte superior. Siga halándola hasta que salga completamente. No intente introducir a la fuerza el sobrante de la manguera en la parte de atrás de la lavadora.



Desagüe por el lavadero o desagüe del tubo vertical

Conexión del molde sujetador a la manguera corrugada de desagüe



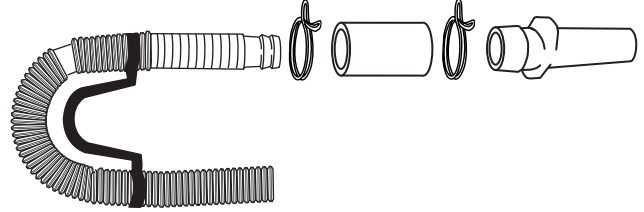
A. Coloque el extremo del molde sujetador alrededor de la manguera, en la hendidura de la manguera de desagüe. Apriete el seguro del molde sujetador hasta que encaje en su lugar.

B. Coloque el otro extremo del molde sujetador alrededor de una de las hendiduras restantes de la manguera de desagüe. Oprima el seguro del molde sujetador hasta que encaje en su lugar.

C. Hendidura de la manguera de desagüe

Si la manguera de desagüe no encaja en el tubo vertical o si queda en el borde del lavadero:

- Introduzca el extremo del acoplamiento en la extensión de la manguera de desagüe. Instale con alicates la abrazadera de la manguera.
- Luego deslice la segunda abrazadera por el extremo de la manguera de desagüe. Inserte el extremo del acoplamiento en el extremo de la manguera de desagüe. Usando alicates, instale la segunda abrazadera de la manguera sobre el acoplamiento.



Para evitar que el agua de desagüe retorne a la lavadora:

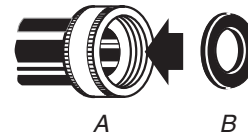
- No intente introducir a la fuerza el excedente de la manguera de desagüe en el tubo vertical. La manguera debe estar asegurada, pero a la vez lo suficientemente floja como para dejar un espacio para el aire.
- No ponga el excedente de la manguera en el fondo del tambor de lavado.

Desagüe por el piso

No coloque el molde sujetador en la manguera corrugada. Quizás necesite piezas adicionales. Vea Desagüe por el piso en "Piezas y herramientas".

Conexión de las mangueras de entrada

1. Inserte las nuevas arandelas (incluidas) en cada extremo de las mangueras de entrada. Introduzca firmemente las arandelas en los acoplamientos.



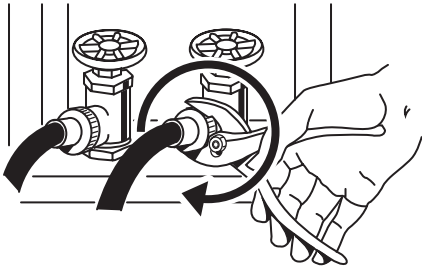
A. Acopla-miento
B. Arandela

Conecte las mangueras de entrada a las llaves de agua

Asegúrese de que el tambor de lavado esté vacío.

1. Conecte a la llave de agua caliente la manguera que tiene la etiqueta "hot" (caliente). Enrosque manualmente el acoplamiento hasta que ajuste con la arandela.
2. Conecte la manguera con la etiqueta "cold" (frío) a la llave de agua fría. Enrosque manualmente el acoplamiento hasta que ajuste con la arandela.

- Usando los alicates, apriete los acoplamientos dos tercios de vuelta más.

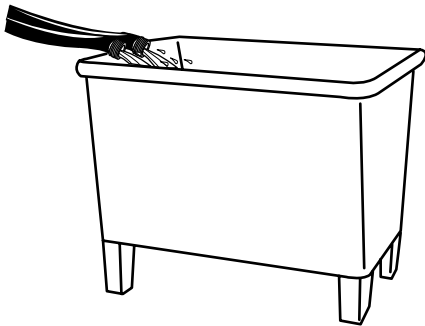


Apriete los acoplamientos otros dos tercios de vuelta.

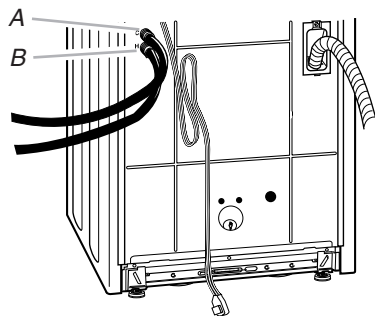
NOTA: No apriete demasiado la válvula ni le aplique cinta o selladores. Esto podría dañarla.

Limpie el agua de las líneas

- Para eliminar las partículas que se encuentran en las tuberías del agua y que podrían obstruir los filtros de la válvula de entrada, deje salir el agua tanto de las llaves como de las mangueras de entrada, hacia un lavadero, un tubo de desagüe o una cubeta.
- Verifique la temperatura del agua para asegurarse que la manguera de agua caliente esté conectada a la llave de agua caliente y que la manguera de agua fría esté conectada a la llave de agua fría.



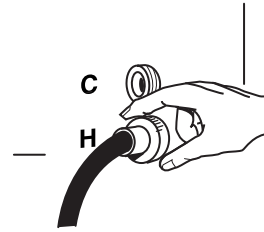
Conecte las mangueras de entrada a la lavadora



A. Válvula de entrada de agua fría
B. Válvula de entrada de agua caliente

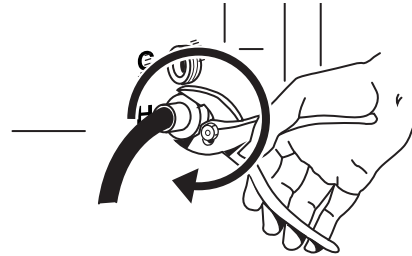
- Fije la manguera de agua caliente a la válvula de entrada que está en la base.
- Conectar el acoplamiento de agua caliente primero hace que apretar la conexión con los alicates resulte más fácil.

- Enrosque el acoplamiento con la mano hasta que se acople en la arandela.



- Usando los alicates, apriete los acoplamientos otros dos tercios de vuelta más.

NOTA: No apriete demasiado ni use cinta o selladores en la válvula. Esto podría dañarla.



- Fije la manguera de agua fría a la válvula de entrada de la parte de arriba.
- Enrosque el acoplamiento con la mano hasta que se acople en la arandela.
- Usando los alicates, apriete los acoplamientos unos dos tercios de vuelta adicional.

NOTA: No apriete demasiado ni use cinta o selladores en la válvula. Esto podría dañarla.

Revise si hay filtraciones

- Abra las llaves y revise si hay filtraciones de agua. Una pequeña cantidad de agua podría entrar en la lavadora. Espere hasta más tarde para hacer el desagüe.

NOTA: Para reducir el riesgo de averías, cambie las mangueras de entrada cada 5 años de uso. Para consulta en el futuro, anote en las mangueras la fecha de instalación o la fecha en que las cambió.

- Si conecta una sola manguera, deberá tapar el otro puerto de entrada de agua.
- Inspeccione periódicamente y reemplace las mangueras si tienen bultos, arrugas, cortaduras, desgaste o filtraciones de agua.

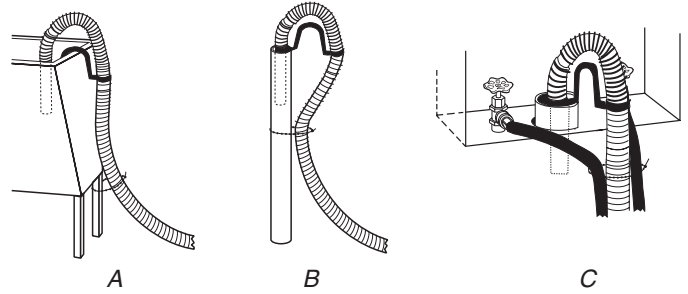
Fijación de la manguera de desagüe

1. Quite el fleje de empaque del cable de suministro de energía. Coloque el cable eléctrico encima de la consola.
2. Separe cualquier cartón que haya usado para movilizar la lavadora.



Fleje de amarre rebordeado

3. Enrolle la manguera de desagüe a la pata del lavadero o al tubo vertical utilizando el fleje de amarre rebordeado. Empuje el sujetador hasta el orificio más cercano del fleje. Vea la gráfica A o B.



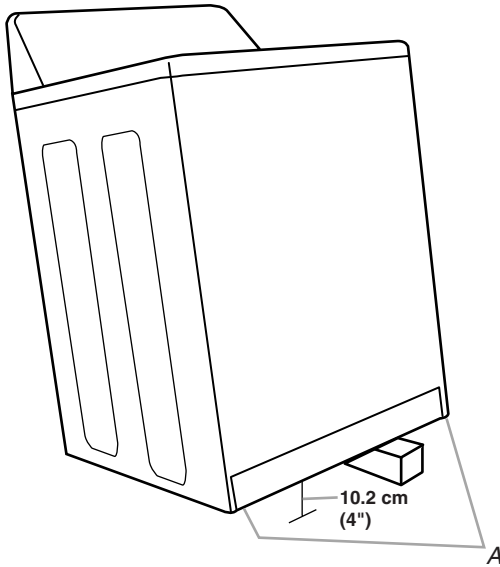
Si las llaves de suministro de la lavadora y el tubo vertical de desagüe están empotrados, ponga el extremo moldeado de la manguera de desagüe en el tubo vertical. Envuelva el fleje con firmeza alrededor de las mangueras de entrada del agua y de la manguera de desagüe. Vea la gráfica C.

Nivelación de la lavadora

La nivelación apropiada de su lavadora evita la vibración y el ruido excesivo.

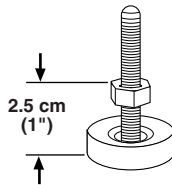
Coloque las patas niveladoras delanteras

1. Levante el frente de la lavadora unas 10,2 cm (4") con un bloque de madera o un objeto similar. El bloque debe soportar el peso de la lavadora.



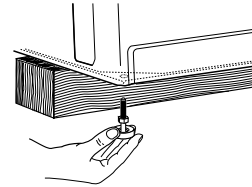
A. Orificios roscados para las patas

2. Atornille la tuerca de sujeción en cada pata hasta no más de 2,5 cm (1") de la base.



3. Atornille las patas dentro de los orificios roscados de la esquina frontal de la lavadora hasta que las tuercas toquen la lavadora. Gire las patas para instalar.

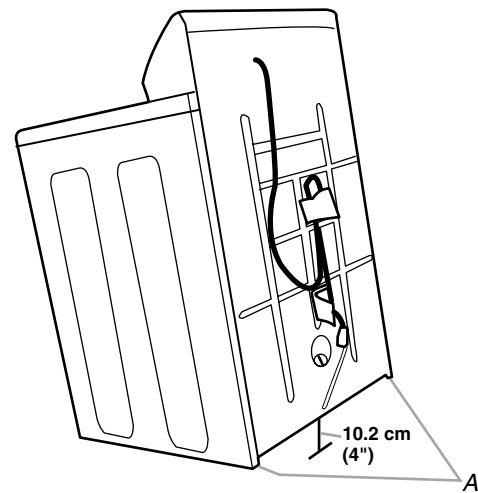
NOTA: No apriete las tuercas hasta que la lavadora esté nivelada.



4. Incline la lavadora hacia adelante y retire el bloque de madera. Baje la lavadora hasta el piso con cuidado.

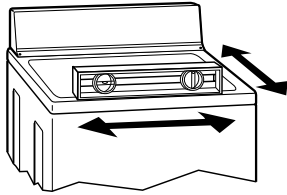
Pasos para la ubicación final

1. Deslice la lavadora a su ubicación definitiva.
2. Incline la lavadora hacia adelante hasta que la parte posterior de la misma esté por lo menos 10,2 cm (4") por encima del piso. Podrá escuchar las patas traseras autoniveladoras cuando encajen en su lugar. Baje la lavadora hasta el piso.



A. Patas autoajustables

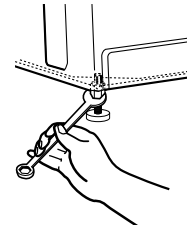
3. Revise si la lavadora está nivelada colocando un nivel en los bordes superiores de la lavadora, primero de lado a lado, luego de frente hacia atrás.



4. Si la lavadora no está nivelada, muévala ligeramente hacia fuera, inclínela hacia atrás, levante la parte delantera con el bloque de madera y ajuste las patas hacia arriba o hacia abajo según sea necesario. Gire las patas en el sentido de las manecillas del reloj para levantar la lavadora o gírelas en el sentido contrario para bajarla. Repita los pasos 1 a 4 hasta que la lavadora quede nivelada.

5. Después de que la lavadora esté en su ubicación definitiva y nivelada, use una llave de 14 mm ó 9/16" para girar las tuercas de las patas hacia la izquierda y ajustarlas firmemente contra el gabinete de la lavadora.

IMPORTANTE: Si no se aprietan las tuercas contra el gabinete de la lavadora, ésta podría vibrar.



Complete la instalación

1. Revise los requisitos sobre la instalación eléctrica. Asegúrese de contar con el suministro correcto de electricidad y el método recomendado de conexión a tierra. Vea "Requisitos eléctricos".
2. Verifique que todas las piezas estén instaladas. Si le está sobrando alguna, vuelva a revisar todos los pasos para ver cuál omitió.
3. Asegúrese que tiene todas las herramientas.
4. Compruebe que quitó completamente el fleje de empaque amarillo de la parte posterior de la lavadora.
5. Deshágase de todos los materiales de empaque o recíclelos.
6. Cerciórese de que las llaves de agua estén abiertas.
7. Verifique si hay fugas alrededor de los grifos y de las mangueras de entrada.

⚠ ADVERTENCIA



Peligro de descarga eléctrica

Conecte este aparato a tierra.

No use una extensión eléctrica o un dispositivo de enchufe eléctrico portátil.

No seguir estas instrucciones puede ocasionar la muerte, un incendio o una descarga eléctrica.

8. Enchufe en un tomacorriente con conexión a tierra.
9. Quite la película plástica protectora que está en la consola y cualquier cinta adhesiva que haya quedado en la lavadora.
10. Lea "Uso de la lavadora" en las Instrucciones para el usuario de la lavadora.
11. Para probar y limpiar su lavadora, mida la mitad de la cantidad normal recomendada de detergente en polvo y échelo en el tambor de lavado o en el depósito de detergente (en algunos modelos). Cierre la tapa. Seleccione cualquier ciclo, y luego hale la perilla de control de ciclos para poner la lavadora a operar. Deje que la lavadora funcione durante el ciclo completo.