



Installation Instructions

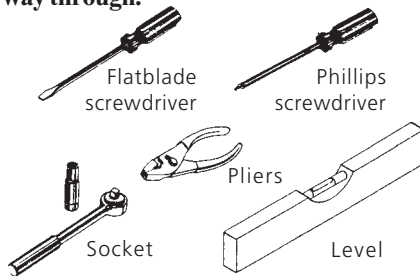
Before you begin	2
Location	2
Recommended grounding instructions	2
Electrical requirements	2
Exhaust requirements	3
Water supply and drain requirements	3
Please begin	3
Alternate installations	5
Alternate methods of securing drain hose	5
Alternate exhaust methods	6
Alternate electrical connection	6
Rough-in dimensions	8

Laundry Center washer/dryer 240 volts

Sears, Roebuck and Co., Hoffman Estates, IL 60179 U.S.A.

Before you begin . . .

Please read these instructions all the way through.



A. You need these tools to install your Kenmore Laundry Center. Get them together in one place to keep track of them.

B. Check the spot where you are going to install the Laundry Center. Proper installation is your responsibility. Make sure you have everything necessary for proper installation.

⚠ WARNING You will need to meet **State code/law requirements:** Some Codes keep from or limit installation of clothes dryers in residential garages, closets, mobile homes and sleeping quarters. (Check with your local building inspector.)

Important: Observe all governing codes and ordinances.

Location

Size: Must be large enough to fully open dryer door. For recessed or closet installations see Page 5 for spacing; for product dimensions see the last page of these instructions.

Support: The floor must be able to support the appliance loaded weight of 500 pounds.

Level Floor: Maximum floor slope under Laundry Center is 1 inch.

Protection from the weather: Proper operation of dryer cycles requires temperatures above 45°F. As some water remains in the washer, do not store or operate the washer below 32°F. For storage below 32°F. see Use and Care Guide for "Winterizing."

⚠ WARNING

⚠ It is the personal responsibility of the customer to ensure that gasoline, paint, thinners and other flammable materials are not used or stored near the Laundry Center. Fumes from these materials could result in fire, explosion or personal injury.

⚠ **Never** install the Laundry Center up

against draperies or curtains and be sure to keep any and all items from falling or collecting behind the Laundry Center.

⚠ Replace all access or service panels before operating Laundry Center.

Recommended grounding instructions

Electrical ground is required on this appliance.

This appliance must be grounded. In the event of malfunction or breakdown, grounding will reduce the risk of electric shock by providing a path of least resistance for electric current.

⚠ WARNING Improper connection of the equipment-grounding conductor can result in a risk of electric shock. Check with a qualified electrician or serviceman if you are in doubt as to whether the appliance is properly grounded.

Electrical requirements

1. A 3-wire single phase 120/240 volt 60Hz AC only electrical supply (or 3-wire 120/208 volt if specified on nameplate) is required on a separate 30 ampere circuit, fused on both sides of the line (time-delay fuse or circuit breaker is recommended). Do not have a fuse in the neutral or ground circuit.
2. If a power supply cord is used, it must be a 30 amp rated flexible type with three open end spade lug connectors with upturned ends or closed loop terminal connectors. A U.L. recognized strain relief (U.L. mark on it or Sears Part No. 687000) to fit a one inch hole must be used. When local codes permit, it must be plugged into a mating 30 amp receptacle (NEMA) type 10-30R. See Figure 1.

Figure 1
3-wire receptacle
(10-30R)



3. The appliance may be connected directly to the fused disconnect (or circuit breaker) box through flexible armored or nonmetallic sheathed 10 gauge COPPER cable. DO NOT USE ALUMINUM WIRE. It is the personal responsibility and obligation of the customer to contact a qualified installer to assure that the electrical installation is adequate and is in conformance with the National Electrical Code and local codes and ordinances. A U.L. recognized strain

relief must be provided at each end of the power supply cable (at the appliance and at the junction box). Wire sizes (10 gauge COPPER WIRE ONLY) and connection must conform with the rating of the appliance (30 amperes).
DO NOT USE AN EXTENSION CORD.

4. **⚠ WARNING** For mobile home installation, the appliance frame must not be connected to the neutral terminal, but must be connected to the ground cord (see Page 6, Alternate Electrical Connection, for detailed instructions).

Figure 2
4-wire receptacle
(14-30R)



Typical 30 Amp receptacle use: Use where local codes permit flexible type supply cord (pigtail).

If a 4-wire single phase 120/240 volt 60Hz AC receptacle of NEMA type 14-30R (see Figure 2) is available, a matching power supply cord (pigtail) must be used. This cord contains 4 No. 10 gauge copper conductors with spade or ring terminals on the Laundry Center end and terminating in a NEMA type 14-30P plug on supply end. The fourth (grounding) conductor must be identified by a green cover and the neutral conductor by a white cover. Cord should be type SRD or SRDT, with a U.L. recognized strain relief, and be at least 3 feet and no more than 6 feet long. The 4-wire power supply cord and strain relief are not provided with the Laundry Center.

NOTE: Laundry Center dryers operating on 208 volt power supply will have longer drying times than dryers operating on 240 volt power supply.

Exhaust requirements

Use only 4 inch (10.16 cm) diameter (minimum) rigid or flexible metal duct and approved vent hood which has a swing-out damper(s) that opens when the dryer is in operation. When the dryer stops, the damper(s) automatically closes to prevent drafts and the entrance of insects and rodents. To avoid restricting the outlet, maintain a minimum of 12 inches (38.5 cm) clearance between the vent hood and the ground or any other obstruction.

⚠ WARNING The following are specific requirements for proper and safe operation of your laundry center. Failure to follow these instructions can create excessive drying times and fire hazards.

⚠ WARNING Do not use plastic flexible duct to exhaust the dryer. Excessive lint can build up inside the exhaust system and create a fire hazard and restrict air flow. Restricted air flow will increase drying times. If your present system is made up of plastic duct or metal foil duct, replace it with a rigid or flexible metal duct. **Ensure the present duct is free of any lint prior to installing** laundry center dryer duct.

⚠ WARNING If the dryer is not exhausted outdoors, some fine lint will be expelled into the laundry area. An accumulation of lint in any area of the home can create a health and fire hazard. **The dryer exhaust system MUST be exhausted to the outside of the dwelling!**




⚠ WARNING Do not allow combustible materials (for example: clothing, draperies/curtains, paper) to come in contact with the exhaust system. The dryer **MUST NOT** be exhausted into a chimney, a wall, a ceiling, or any concealed space of a building which can accumulate lint, resulting in a fire hazard.

⚠ WARNING Do not exceed the length of duct pipe or number of elbows allowed in the "EXHAUST DUCT LENGTHS" chart. Lint can accumulate in the system, plugging the system and creating a fire hazard, as well as increasing drying times.

⚠ WARNING Do not screen the exhaust ends of the vent system, nor use any screws or rivets to assemble the exhaust system. Lint can become caught in the screen, on the screws or rivets, clogging the exhaust system and creating a fire hazard as well as increasing drying times. Use an approved vent hood to terminate the duct outdoors, and seal all joints with duct tape. All male duct pipe fittings **MUST** be installed downstream with the flow of air.

⚠ WARNING **Explosion hazard.** Do not install the laundry center where gasoline or other flammables are kept or stored. If the laundry center is installed in a garage, it must be a minimum of 18 inches (45.7 cm) above the floor. Failure to do so can result in death, explosion, fire or burns. The exhaust system back pressure **MUST** not exceed 0.6 inches (1.52 cm) of water column, measured with an inclined manometer at the point the exhaust connects to the dryer. The exhaust system should be inspected and cleaned a minimum of every two years with normal usage. The more the dryer is used, the more often you should check the exhaust system and vent hood for proper operation.

The **Maximum Length** of the exhaust system depends upon the type of duct used, number of elbows and type of exhaust hood. The maximum length for both rigid and flexible duct is shown in chart.

EXHAUST DUCT LENGTHS (FEET)			
Number of 90° Turns	EXHAUST HOOD TYPE		
	 4"	 LOUVERED	 2 1/2"
MAXIMUM LENGTH OF 4-INCH DIAMETER RIGID METAL DUCT			
0	56'	56'	42'
1	46'	46'	36'
2	34'	34'	28'
3	32'	32'	18'
MAXIMUM LENGTH OF 4-INCH DIAMETER FLEXIBLE METAL DUCT			
0	30'	30'	22'
1	22'	22'	14'
2	16'	16'	10'
3	10'	10'	5'

Exhaust Systems longer than specified will:

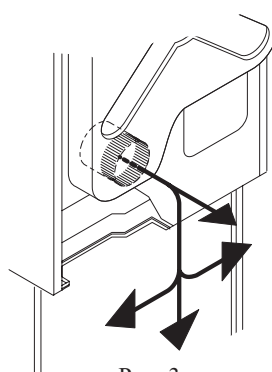
- Shorten the life of the dryer.
- Reduce the performance, such as cause longer drying times and increases the use of energy.
- Accumulate lint.

The Laundry Center may be exhausted four (4) ways with rear **flush** installation:

1. **Straight back.**
2. **Down** (8" length of 4" rigid duct and 1 elbow down).
3. **Left** (8" length of 4" rigid duct, 1 elbow down and 1 elbow left).
4. **Right** (8" length of 4" rigid duct, 1 elbow down and 1 elbow right).

To exhaust up, add an 11" length of standard 4" diameter duct and a 90° elbow. The unit will be positioned about 4-1/2" away from the wall (flush to wall exhausting may be done by going below the dryer then sideways.)

An exhaust hood positioned to line up with the dryer exhaust can be installed directly through the outside wall. To exhaust to the side or down, add an 8 inch (20.32 cm) length of standard 4 inch (10.16 cm) diameter duct and a 90° elbow.



For Mobile Home Exhaust Requirements see Page 6, Alternate Exhaust Methods, for detailed instructions.

Water supply and drain requirements

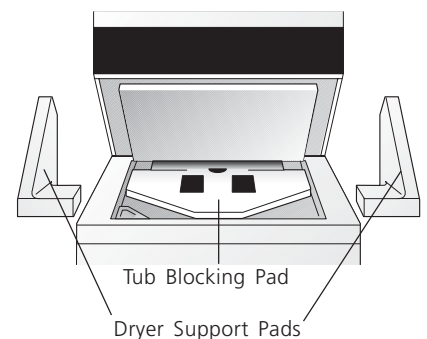
Hot and Cold water faucets within 4 feet of back of the Laundry Center and enough pressure (5-100 PSI) are required.

Water Heater should be set to deliver 130°F. or above water to the washer for best results.

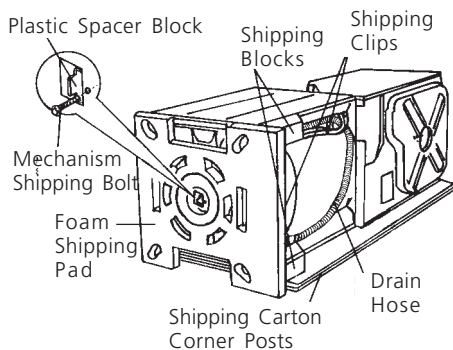
To drain the Laundry Center washer, you need either a 20-gallon laundry tub or 1-1/4 inch diameter standpipe having a minimum carry-away capacity of 16 gallons per minute. The minimum tub or standpipe height is 33 inches from the bottom of the washer. The maximum tub or standpipe height is 96 inches from the bottom of the washer. For installations requiring a longer drain hose, have a qualified technician install a longer hose, P/N 131461201. For drain systems in the floor, install a siphon break kit, P/N 076660-000. Both components are available from Sears Parts Department.

PLEASE BEGIN...

1. Remove:
 - (a) foam tub blocking pad;
 - (b) foam shipping blocks from rear of unit;
 - (c) tape from dryer door;
 - (d) foam dryer support pads;
 - (e) inlet hoses.
 - (f) From the back of the washer, remove the wire shipping clips securing the drain hose and power cord. Plastic clamps secure the drain hose to the right side of the washer backsheet. These clamps form a standpipe to prevent water siphoning. **DO NOT REMOVE THESE CLAMPS.**

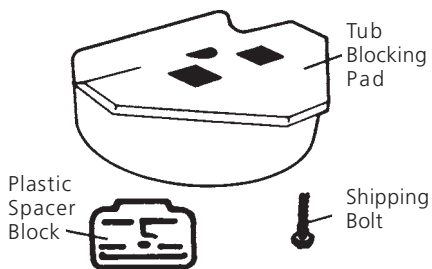


- 2.** Using the four shipping carton corner posts (two on each side), carefully lay the Laundry Center on its left side and remove the foam shipping base.

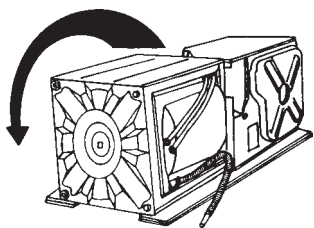


- 3.** Using the ratchet with 3/8 inch socket, remove mechanism shipping bolt. Remove plastic spacer block from center of base using adjustable pliers.

NOTE: If the Laundry Center is to be transported at a later date, the tub blocking pad, shipping bolt and plastic spacer block should be retained.



- 4.** Return Laundry Center to upright position.



- 5.** **Install 3-wire power supply cord.**

- Remove the terminal block cover located at the rear of the dryer.
- Install U.L. approved strain relief (Figure 11) in one inch hole on dryer back below terminal block opening.
- Thread U.L. approved 30 amp power cord through strain relief.
- Connect the center wire of the power cord to the center silver colored terminal screw of the terminal block and tighten securely.
- Connect the other wires to the outer terminals and tighten securely (Figure 12).
- Replace the terminal block cover.

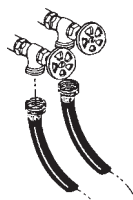
- 6.** Run some water from the hot and cold faucets to flush the water lines and remove particles that might clog up the water valve screens. Check inlet hoses to ensure the rubber washers are installed in each end. Carefully connect the inlet hoses to the water valve (on the left side of the washer cabinet), tighten by hand, then tighten another 2/3 turn with pliers.

CAUTION DO NOT CROSS THREAD OR OVERTIGHTEN THESE CONNECTIONS.

- 7.** Determine which water faucet is the **HOT** water faucet and carefully connect the bottom inlet hose to the **HOT** water faucet, tighten by hand, then tighten another 2/3 turn with pliers. Carefully connect the top inlet hose to the **COLD** water faucet, tighten by hand, then tighten another 2/3 turn with pliers.

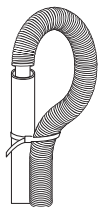
CAUTION DO NOT CROSS THREAD OR OVERTIGHTEN THESE CONNECTIONS.

Turn the water on and check for leaks at both connections.



- 8.** Form a "U" shape on the end of the drain hose with the hose pointed toward the drain. Place the formed end in a laundry tub or a standpipe and secure with a cable tie provided in the enclosure package.

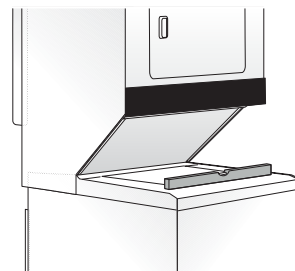
CAUTION WATER COULD SIPHON FROM THE LAUNDRY CENTER IF THE ABOVE INSTRUCTIONS ARE NOT FOLLOWED.



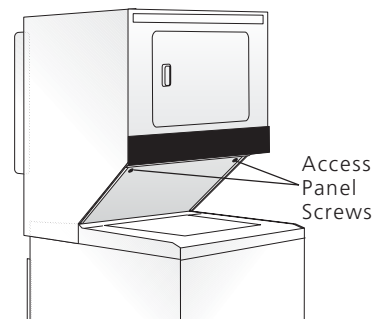
- 9.** Carefully move the laundry center to its final location. Plug the power cord into a grounded outlet.



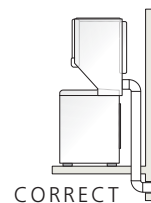
- 10.** To make sure the Laundry Center is solid and level, tilt the machine forward so the rear legs are off the ground. Gently set the machine back down to allow the rear legs to self adjust. Place a level on top of the washer. Check it side to side, then front to back. Screw the front leveling legs up or down to make sure the unit is solid on all four legs (no rocking of the appliance should exist).



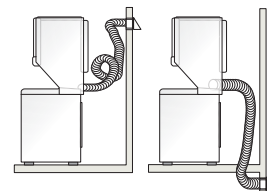
- 11.** Remove two (2) screws securing front access panel to dryer cabinet. Lower panel until bottom tabs can be disengaged from cabinet, remove panel, and set aside.



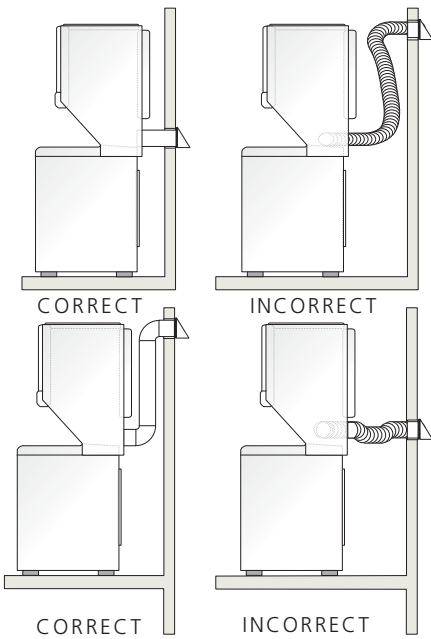
- 12.** Connect exhaust duct to outside ductwork. Use duct tape to seal all joints. Do not exceed the length of duct pipe or number of elbows allowed in the Maximum Length Chart, Page 3. Install the exhaust duct as described in Exhaust Requirements, Page 3, and refer to the drawings below. To exhaust inside, refer to Alternate Exhaust Methods, Page 6.



CORRECT

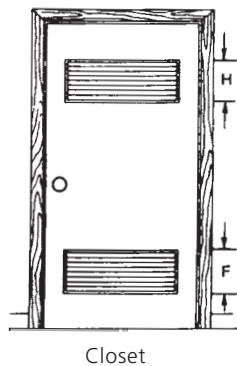
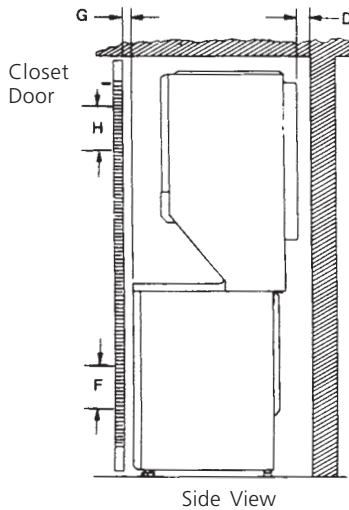
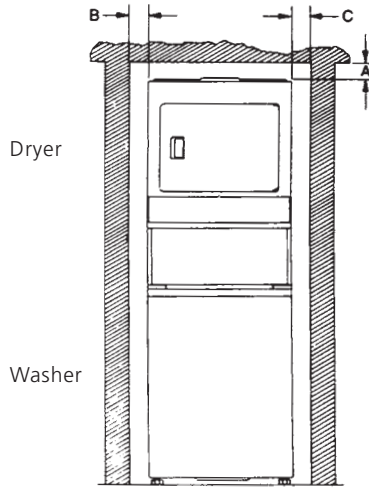


INCORRECT INCORRECT



Alternate installations: recessed or closet area locations.

The following are minimum installation spacings and openings (in inches) that you should allow. For easier installation and service, consider additional spacing.



Minimum Installation Spacing

RECESS INSTALLATION	A	B	C	D	F	G	H
INSIDE EXHAUST	4	0	4	0			
OUTSIDE EXHAUST	1	0	0	0			

CLOSET INSTALLATION	A	B	C	D	F	G	H
OUTSIDE EXHAUST ONLY	1	0	0	0	60 SQ.IN.	1	60 SQ.IN.

When the Laundry Center is installed in other than the recessed and closet type of installation shown, minimum dimensions indicated must be observed.

To prevent large amounts of lint and moisture from accumulating and to maintain drying efficiency, this appliance must be exhausted outdoors.

Non-exhausted installation-only rear exhaust position permitted.

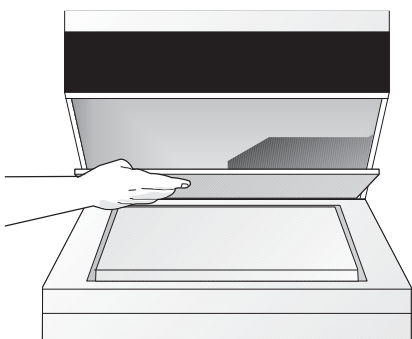
13. Read and save the Operating Instructions and the Use and Care Guide that came with the Laundry Center.

14. Clean the dryer drum and washer tub with a damp cloth.

15. Turn on electricity at power source.

16. Start washer and dryer. RUN THROUGH ONE COMPLETE CYCLE and check for possible leaks, exhaust connections and tub drainage.

17. Reinstall access panel.



Alternate methods of securing drain hose

A. Put the bent end of the drain hose in the tub or standpipe.

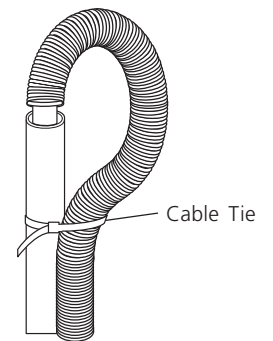


Figure 3

B. The drain hose must be held securely with the cable tie so it does not come out of the standpipe during use.

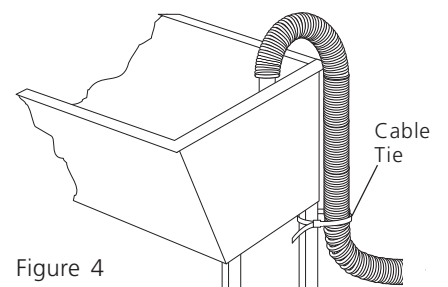
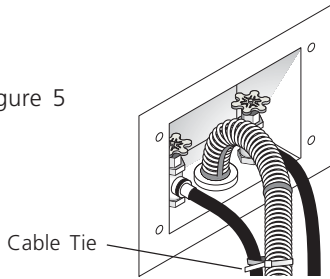


Figure 4

- C.** Secure the hose as shown in Figures 3 Standpipe, 4 Tub, 5 In wall standpipe.

Figure 5



BE SURE THE HOSE IS NOT TWISTED OR KINKED AND IS SECURELY IN PLACE.

Alternate Exhaust Methods

A. There are exhaust kits available that allow you to direct filtered exhaust air inside to conserve energy during winter months. You may use these devices with the Laundry Center dryer providing their use does not violate national or local codes, and the device does not restrict exhaust air flow. If you use one of these kits, be aware that excessive moisture in the home can cause many problems and that you may see an increase in the time required to dry a load. Also, you must maintain the kit installation properly to avoid excessive lint buildup, which can affect the dryer's performance.

B. For mobile home installation, the dryer **must** have an outside exhaust. If you exhaust the dryer through the floor and the area under your mobile home is enclosed, the exhaust system **must** terminate outside the enclosed area. Extension beyond the enclosure will prevent lint and moisture buildup under the mobile home. See Figure 7.

Mobile home installation

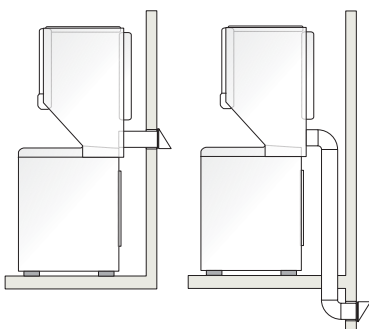


Figure 7

Alternate electrical connection

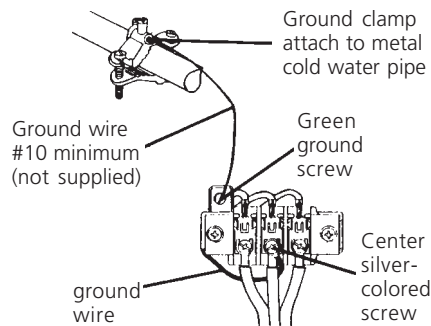
Disconnect power supply cord from electric supply before making these changes.

Electrical ground is required on this appliance.

This appliance is manufactured **with** the neutral terminal connected to the frame.

A. If local codes permit the use of a flexible-type power supply cord (pigtail) and:

1. DO NOT permit connection of the frame grounding conductor to the neutral wire of the power supply cord:
 - a. Remove terminal block cover.
 - b. Remove the ground wire from the green ground screw and fasten under center silver-colored terminal block screw. See Figure 8.



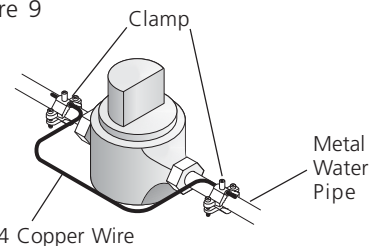
Ungrounded neutral
Figure 8

Connect separate copper ground wire from green ground screw to approved ground.

- c. Connect a separate copper ground wire (No. 10 minimum) to a grounded cold water pipe* by means of a clamp and then to the frame of the appliance at the green ground screw. Use Part No. 685463 ground wire and clamp assembly. Do not ground to a gas supply pipe. Do not connect the power supply cord to electric power supply until appliance is permanently grounded.

- d. Replace terminal block cover.

Figure 9



No. 4 Copper Wire

*Grounded cold water pipe must have metal continuity to electrical ground and not be interrupted by plastic, rubber or other electrical insulating connectors (such as hoses, fittings, washers or gaskets, including water meter or pump). Any electrical insulating connector should be jumped as shown in Figure 9 with a length of No. 4 wire securely clamped to bare metal at both ends.

B. Local codes DO NOT permit the use of a power supply cord and:

1. Permit connection of the frame grounding conductor to the neutral wire of the power supply cord:
 - a. Remove the terminal block cover.

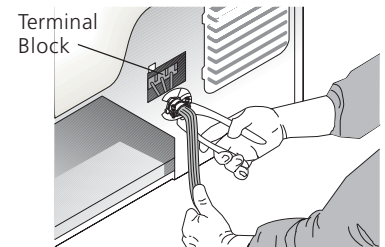


Figure 10

- b. Install U.L. approved strain relief (Figure 11) in one inch hole on dryer back below terminal block opening.

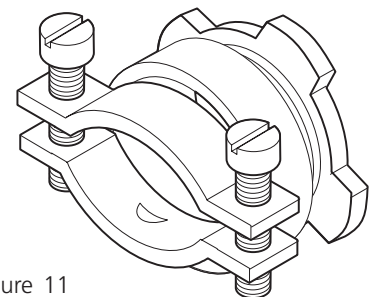
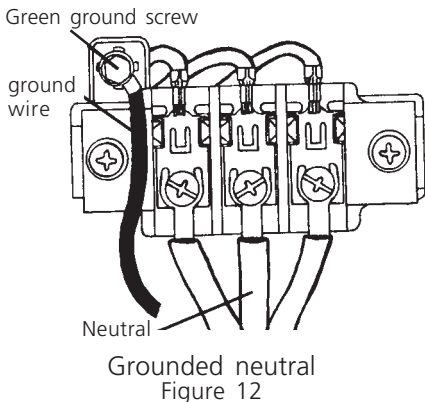


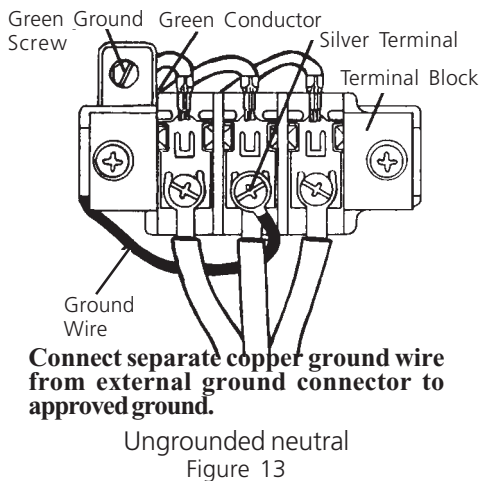
Figure 11

- c. Install copper power supply cable.

- d. Connect the neutral wire of the flexible armored or nonmetallic sheathed copper power supply cable to the center silver-colored terminal screw of the terminal block and connect the other wires to the outer terminals. See Figure 12. For connecting plain-end field wire, see Figure 15.
- e. Replace the terminal block cover.



- 2. DO NOT permit connection of the frame grounding conductor to the neutral wire of the power supply cord:
 - a. Remove terminal block cover.
 - b. Install U.L. approved strain relief (Figure 11) in one inch hole on dryer back below terminal block opening.
 - c. Install copper power supply cable.
 - d. Remove the ground wire from the green ground screw and fasten under center silver-colored terminal block screw.
 - e. Connect the neutral wire of the power supply cable to the center silver-colored terminal of the terminal block and connect the other wires to the outer terminals. See Figure 13. For connecting plain-end wire see Figure 15.

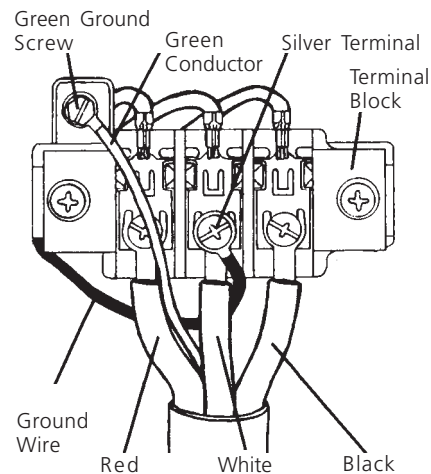


- f. Connect a separate copper ground wire (No. 10 minimum) to a grounded cold water pipe* by means of a clamp and then to the frame of the appliance at the green ground screw. Use Part No. 685463 ground wire and clamp assembly. Do not ground to a gas supply pipe. Do not connect the power supply cord to electric power supply until appliance is permanently grounded.
- g. Replace the terminal block cover.

*Grounded cold water pipe must have metal continuity to electrical ground and not be interrupted by plastic, rubber or other electrical insulating connectors (such as hoses, fittings, washers or gaskets, including water meter or pump). Any electrical insulating connector should be jumped as shown in Figure 9 with a length of No. 4 wire securely clamped to bare metal at both ends.

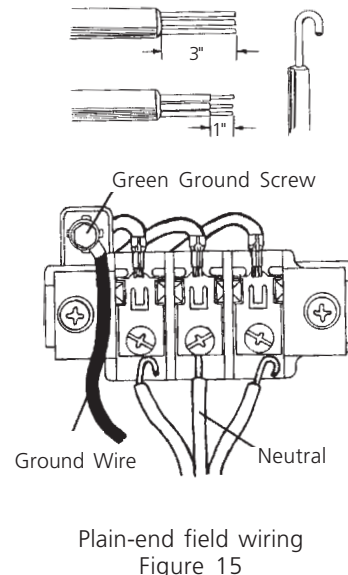
C. If connecting to a four-wire electrical system (mobile home):

1. Remove the terminal block cover.
2. Install U.L. approved strain relief (Figure 11) in one inch hole on dryer back below terminal block opening.
3. Install copper 4-wire power supply cord.
4. Remove the ground wire from the green ground screw and fasten under center silver-colored terminal block screw.
5. Connect the ground wire (green) of the copper 4-wire power supply cord to the green ground screw.
6. Connect the neutral wire (white) of the power supply cord to the center silver-colored terminal screw of the terminal block and connect the other wires to the outer terminals. See Figure 14. For connecting plain-end field wire, see Figure 15.
7. Replace the terminal block cover.

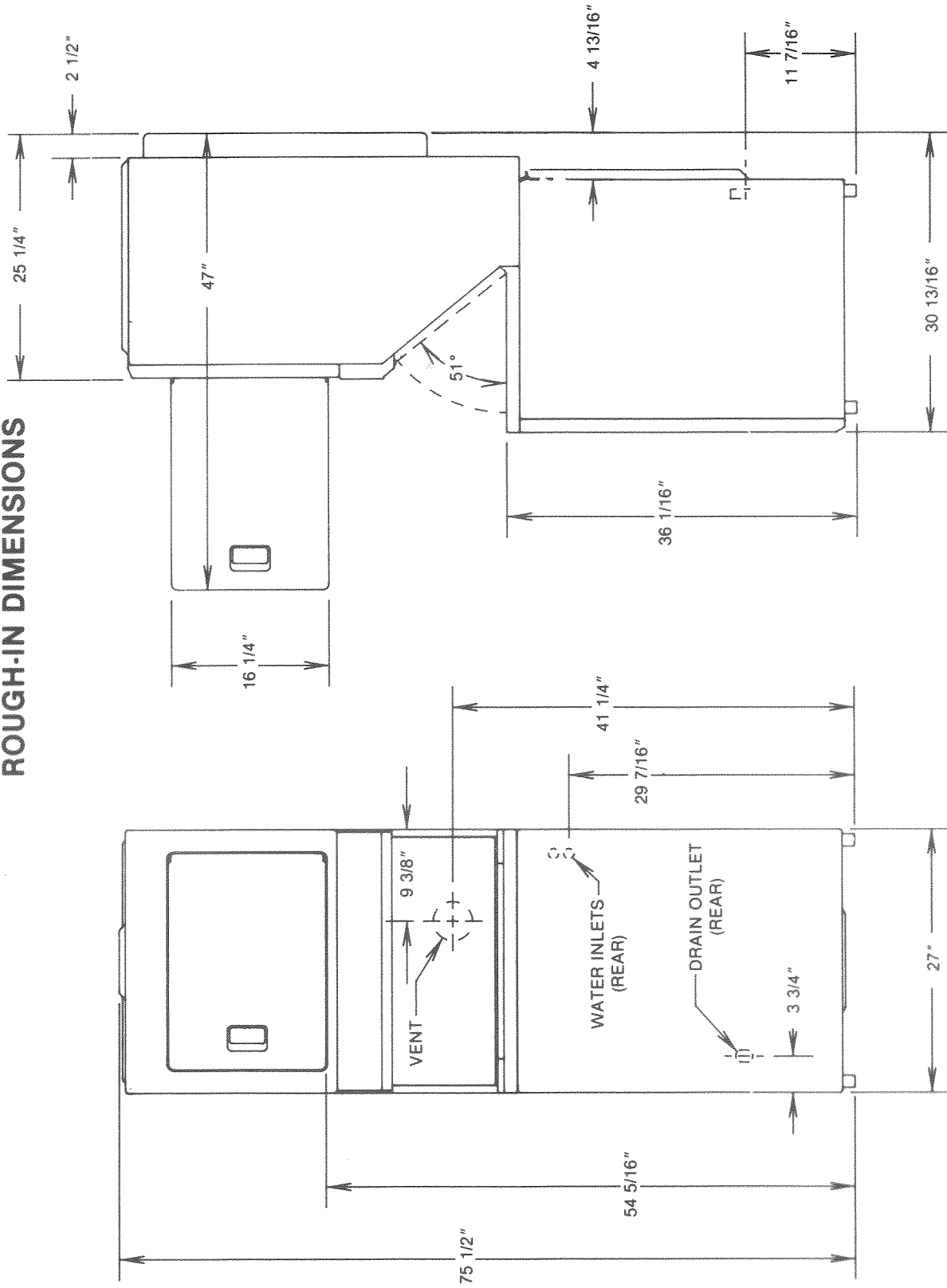


IF YOUR POWER SUPPLY CORD OR DIRECT WIRING HAS PLAIN WIRE ENDS, SEE FIGURE 15 AND FOLLOW THESE STEPS:

1. Strip outer covering back 3 inches from the end exposing the 3 wires.
2. Strip the insulation back 1 inch from the end of each wire. Form the bare wire into a U-shaped hook.
3. Loosen, do not remove, the center, silver-colored screw of the terminal block.
4. Slide the end of the neutral (white or center) wire under the screw head with the open side of the hook on the right. Squeeze the wire together to form a loop.
5. Tighten the screw firmly.
6. Connect the remaining 2 wires to the outer screws the same way. Tighten the screws firmly.



ROUGH-IN DIMENSIONS



**Sears, Roebuck and Co.
Hoffman Estates, IL 60179 U.S.A.**

Made in U.S.A.



Antes de comenzar	2
Lugar de instalación	2
Instrucciones recomendadas para la puesta a tierra	2
Requerimientos eléctricos	2
Requerimientos del sistema de escape	3
Requerimientos para el agua y el desagüe	3
Para comenzar	3
Instalaciones alternas	5
Métodos alternos para sujetar la manguera de desagüe ...	5
Métodos de escape alternos	6
Conexión eléctrica alterna	6
Dimensiones para la instalación	8

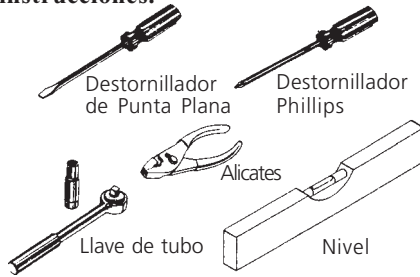
Instrucciones para la Instalación

Lavadora y Secadora Superpuestas lavadora/secadora 240 voltios

Sears, Roebuck and Co., Hoffman Estates, IL 60179 U.S.A.

Antes de comenzar...

Le rogamos leer atentamente todas estas instrucciones.



A. Usted necesita estas herramientas para instalar su Lavadora/Secadora Superpuestas Kenmore. Manténgalas todas juntas para facilitar el uso.

B. Verifique el lugar donde desea instalar la Lavadora/Secadora Superpuestas. Usted es responsable de efectuar una instalación adecuada. Asegúrese de que tiene todo lo necesario para una instalación correcta.

ADVERTENCIA Usted deberá cumplir los **requerimientos estatales del código y legales:** Algunos códigos prohíben o limitan la instalación de secadoras de ropa en garajes residenciales, armarios, casas móviles y dormitorios. (Consulte con su inspector local de construcción.)

Importante: Observe todos los reglamentos y códigos vigentes.

Lugar de instalación

Tamaño: Debe ser lo suficientemente grande para que la puerta de la secadora pueda abrirse completamente. Para las instalaciones en nichos o armarios, vea la página 5 para las dimensiones del espacio; para las dimensiones de los artefactos vea la última página de estas instrucciones.

Soporte: El piso debe ser capaz de soportar el peso de 500 libras del artefacto cargado.

Piso Nivelado: El desnivel máximo bajo la Lavadora/Secadora Superpuestas es de 1 pulgada.

Protección contra las inclemencias del tiempo: El funcionamiento adecuado de los ciclos de la secadora exigen temperaturas superiores a 45° F. Debido a que queda un poco de agua en la lavadora, no guarde o haga funcionar la lavadora a temperaturas inferiores a 32° F. Para almacenamiento a temperatura inferior a 32° F, vea en la Guía de Uso y Cuidado la sección sobre "Protección para el invierno".

ADVERTENCIA

! Es responsabilidad del cliente asegurarse de que no se usen o almacenen gasolina, pintura, diluyentes y otros materiales inflamables cerca de la Lavadora/Secadora Superpuestas. Los vapores de estos productos pueden causar un incendio, una explosión o lesiones personales.

! **Nunca** instale la Lavadora/Secadora

Superpuestas cerca de cortinas o cortinajes y evite que caigan o se guarden artículos detrás de la Lavadora/Secadora.

! Vuelva a colocar todos los paneles de acceso o de servicio antes de poner en funcionamiento la Lavadora/Secadora Superpuestas.

Instrucciones recomendadas para la puesta a tierra

Este artefacto debe ser puesto a tierra.

En caso de malfuncionamiento o falla, la puesta a tierra reducirá el riesgo de choque eléctrico al proveer un trayecto de menor resistencia a la corriente eléctrica.

ADVERTENCIA La conexión incorrecta del conductor de puesta a tierra del equipo puede resultar en un riesgo de choque eléctrico. Consulte con un electricista o técnico de servicio calificado si usted tiene dudas respecto a la puesta a tierra correcta del artefacto.

Requerimientos eléctricos

1. Se requiere corriente eléctrica CA de 60 Hz, 120/240 voltios, monofásica, trifilar (o trifilar, 120/208 voltios si está especificado en la placa de nombre) en un circuito separado de 30 amperes, con fusibles en ambos lados de la línea (se recomienda fusible de retardo o disyuntor). No tenga un fusible en el circuito neutro o de puesta a tierra.
2. Si se usa un cordón eléctrico debe ser para 30 amperes, flexible con tres conectores de horquilla con terminales abiertos y extremos dirigidos hacia arriba o conectores de anillos cerrados. Se debe usar un anclaje de cable aprobado por el U.L. (marcado U.L. o el repuesto Sears No. 687000) que ajuste en un agujero de una pulgada. Cuando los códigos locales lo permitan debe ser enchufado en un tomacorriente de 30 amperes (NEMA) del tipo 10-30R. Ver Figura 1.
3. El artefacto puede ser conectado directamente a la caja de desconexión con fusibles (o disyuntor) mediante un cable de COBRE de calibre 10 flexible, no metálico y forrado. NO USE ALAMBRE DE ALUMINIO. Es la responsabilidad personal y obligación del cliente consultar con un instalador calificado para asegurarse de que la instalación eléctrica sea adecuada y en conformidad con el Código Eléctrico Nacional y con los códigos y reglamentos locales. Un anclaje de cable aprobado por U.L. debe ser colocado en cada extremo del cable de suministro eléctrico (en el artefacto y en la caja de empalme). Los tamaños de los alambres y de la conexión (cobre solamente, calibre 10 deben cumplir con el régimen nominal

Figura 1
Tomacorriente de 3 tomas
(10-30R)



del artefacto (30) amperes). NO USE UN CORDON DE EXTENSION.

4. **ADVERTENCIA** Para la instalación en casas móviles, el bastidor del artefacto no debe ser conectado al terminal neutro, sino que ser conectado al cordón de puesta a tierra (ver Página 6, Conexión Eléctrica Alterna, para instrucciones detalladas).

Uso típico del tomacorriente de 30 amperes: Usese donde los códigos locales permitan el uso de cordón eléctrico del tipo flexible.

Si se dispone de un tomacorriente de 4 tomas monofásico, 120/240 voltios, 60Hz CA tipo 14-30R NEMA (ver Figura 2), se debe usar un cordón eléctrico que tenga la misma potencia (flexible). Este cordón contiene 4 conductores de cobre, calibre 10 con terminales de horquilla o anillo cerrado en el extremo de conexión a la Lavadora/Secadora Superpuestas y termina en un enchufe tipo 14-30P NEMA en el extremo de la alimentación. El cuarto conductor (de puesta a tierra) debe ser identificado por su cubierta verde y el conductor neutro por su cubierta blanca. El cordón debe ser del tipo SRD o SRDT, con un anclaje de cable aprobado por el U.L. y debe ser por lo menos de 3 pies de largo y no más de 6 pies de largo. El cordón

Figura 2
Tomacorriente de 4 tomas
(14-30R)



eléctrico de de 4 conductores y el anclaje del cable no son suministrados con la Lavadora/Secadora Superpuestas.

NOTA: Las secadoras que funcionan con un suministro eléctrico de 208 voltios tendrán tiempo de secado más largo que las secadoras que funcionan con un suministro eléctrico de 240 voltios.

Requerimientos del sistema de escape

Utilice solamente ductos metálicos, rígidos o flexibles de 4" (10,2 cm) de diámetro (mínimo) y una caperuza de salida de uso aprobado, con registros que giren hacia afuera que se abren cuando la secadora se encuentra en funcionamiento. Cuando la secadora se detiene, los registros se cierran automáticamente para evitar las corrientes de aire y la entrada de insectos y roedores. Para evitar obstruir la salida, mantenga una altura libre mínima de 12" (30,5 cm) entre la caperuza de salida y el piso o entre cualquier otra obstrucción.

ADVERTENCIA Los siguientes **requerimientos son específicos para el funcionamiento correcto y seguro de su secadora. El incumplimiento de estas instrucciones puede causar prolongación excesiva del tiempo de secado y riesgos de incendio.**

⚠ No use ductos flexibles de plástico para el escape de la secadora.

Se puede acumular un exceso de pelusas en el sistema de escape, crear un riesgo y obstruir el flujo de aire. La restricción del flujo del aire prolongará el tiempo de secado. Si su sistema de escape actual tiene ductos de plástico o de láminas metálicas delgadas, reemplácelo con un ducto metálico rígido o flexible. **Asegúrese de que los ductos existentes no tengan pelusas antes de instalar el ducto de la secadora.**

⚠ Si el escape de la secadora no se dirige al exterior, algunas pelusas finas serán sopladas hacia el recinto donde se efectúa el lavado. La acumulación de pelusas en cualquier lugar de la casa, puede crear un peligro para la salud y un riesgo de incendio. **¡El sistema de escape de la secadora DEBE estar dirigido hacia el exterior de la vivienda!**

⚠ No permita que los materiales combustibles (por ejemplo: la ropa, cortinas/cortinajes, papel) tengan contacto con los ductos. El escape de la secadora **NO DEBE** dirigirse hacia el interior de una chimenea, hacia una pared, hacia el cielo raso o hacia cualquier otro espacio reducido del edificio, donde puede ocurrir acumulación de pelusas y constituir un peligro de incendio.

⚠ Exceder la longitud del conducto rígido o los números de codos permitidos en los diagramas "**LARGO MÁXIMO**" puede disminuir la capacidad de exhaustación del sistema. Obstruir el conducto puede provocar peligro de incendio, así como aumentar el tiempo de secado.

⚠ No coloque un filtro en el extremo del escape del sistema ni emplee tornillos o remaches para ensamblar el sistema de escape. Las pelusas podrían quedar atrapadas en los filtros, en los tornillos o en los remaches, lo cual obstruiría el sistema de escape y crearía un riesgo de incendio, así como también prolongaría el tiempo de secado. Use una caperuza de salida adecuada para el extremo del ducto que salga al exterior de la vivienda y selle todas las juntas con cinta adhesiva para ductos. Todos los accesorios de tubería machos, **DEBEN** ser instalados aguas abajo del flujo de aire.




⚠ ADVERTENCIA Riesgo de explosión. No instale la secadora donde se guarda gasolina u otros materiales inflamables. Si la secadora se instala en un garage, ella debe estar por lo menos 18 pulgadas (45,7 cm) por encima del suelo. El incumplimiento puede resultar en la muerte, explosión, incendio, o quemaduras.

1. La constrapresión del sistema de escape **NO DEBE** exceder 0,6 pulgadas (1,52 cm) de columna de agua, medida con un manómetro inclinado en la conexión del ducto de escape a la secadora.

2. El sistema de escape debe ser inspeccionado y limpiado cada 2 años como mínimo, bajo condiciones de uso normal.

Mientras más se use la secadora, con mayor frecuencia deben inspeccionarse el sistema de escape y la caperuza de salida para verificar su buen funcionamiento

El **Largo Máximo** del sistema de escape depende del tipo de ducto que se usa, del número de codos y del tipo de caperuza de salida. En la tabla se muestra el largo máximo tanto para ductos flexibles como rígidos.

LARGOS DE DUCTOS DE ESCAPE (PIES)			
Número de codos a 90°	TIPO DE CAPERUZA DE SALIDA		
	 4"	 APERSIANADA	 2 1/2"
LARGO MÁXIMO DE DUCTO DE METAL RÍGIDO DE 4 PULGADAS DE DIÁMETRO			
0	56'	56'	42'
1	46'	46'	36'
2	34'	34'	28'
3	32'	32'	18'
LARGO MÁXIMO DE DUCTO DE METAL FLEXIBLE DE 4 PULGADAS DE DIÁMETRO			
0	30'	30'	22'
1	22'	22'	14'
2	16'	16'	10'
3	10'	10'	5'

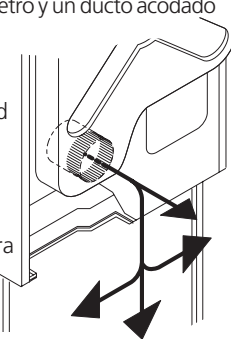
Los Sistemas de Escape más largos que los especificados:

- Acortarán la vida útil de la secadora.
- Reducirán el rendimiento, resultando en prolongación del tiempo de secado y aumento del uso de energía.
- Acumularán pelusas.

Se puede colocar el ducto de escape por cuatro (4) maneras distintas cuando el artefacto está instalado con el fondo **paralelo** con la pared.

1. **Derecho hacia atrás.**
2. **Hacia abajo** - ducto rígido, 8" (20,5 cm) de longitud y 4" (11,25cm) de diámetro & 1 ducto acodado hacia abajo.
3. **Hacia la izquierda** - ducto rígido, 8" (20,5cm) de longitud y 4" (11,25cm) de diámetro, 1 ducto acodado hacia abajo y un ducto acodado hacia la izquierda.
4. **Hacia la derecha** - ducto rígido, 8" (20,5cm) de longitud y 4" (11,25cm) de diámetro, 1 ducto acodado hacia abajo y un ducto acodado hacia la derecha.

Para colocar el ducto de escape hacia arriba, añada un ducto 11" (28,2 cm) de longitud y 4" (11,25cm) de diámetro y un ducto acodado de 90°. El artefacto debe estar a aproximadamente 4 1/2" (11,50cm) de la pared (Se puede colocar el ducto de escape paralelo con la pared por posicionarlo debajo de la secadora y dirigirlo hacia un lado).



Para permitir el escape lateral o inferior, agregue un ducto de 8 pulgadas (20,32 cm) de largo y 4 pulgadas (10,16 cm) de diámetro estándar y un codo de 90°.

Para los Requerimientos del Sistema de Escape en Casas Móviles, vea Métodos Alternos de Escape en la Página 6, para instrucciones detalladas.

Requerimientos para el agua y el desagüe

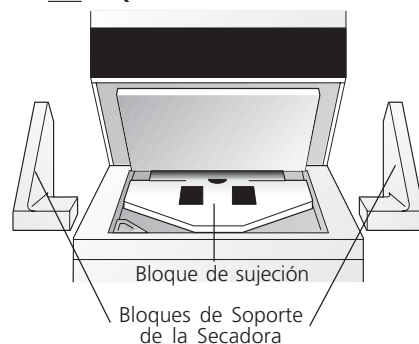
Se requieren llaves de agua **caliente y fría** a una distancia de 4 pies de la parte trasera de la Lavadora/Secadora Superpuestas y suficiente presión (5-100 lbs/pulg.²).

Para obtener mejores resultados el **Calefactor del Agua** debe estar regulado de modo que la temperatura del agua usada sea por lo menos de 130° F.

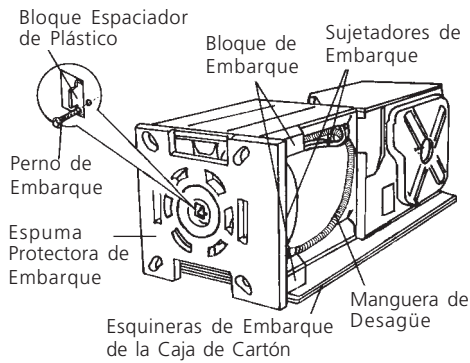
Para drenar la Lavadora de la Lavadora/Secadora Superpuestas, necesitará ya sea un lavadero con capacidad para 75,7 litros (20 galones) o una tubería vertical de 3,17 cm (1 pulgada y 1/4) de diámetro con una capacidad mínima de vaciado de 60,5 litros (16 galones) por minuto. La altura mínima del lavadero o de la tubería vertical será de 83,8 cm (33 pulgadas) desde el fondo de la lavadora. La altura máxima del lavadero o de la tubería vertical será de 244 cm (96 pulgadas) desde el fondo de la lavadora. Para las instalaciones que requieran un tubo de drenaje más largo, pida a un técnico capacitado que instale un tubo más largo, P/N 131461201. Para los sistemas de drenaje en el piso, instale un juego para detener la acción de sifón, N° de pieza 076660-000. Ambos componentes están disponibles en el Departamento de Piezas de Repuesto de Sears.

PARA COMENZAR...

1. Saque:
 - (a) la pieza de espuma que bloquea la cavidad;
 - (b) los bloques de espuma del embalaje de la parte posterior del aparato;
 - (c) la cinta de la puerta de la secadora;
 - (d) las piezas de espuma para apoyar la secadora;
 - (e) los tubos de entrada de agua.
 - (f) Saque las pinzas metálicas del embalaje de la parte posterior de la lavadora, que sujetan el tubo de drenaje y el cable eléctrico. Hay abrazaderas de plástico que sujetan el tubo de drenaje en el lado derecho del respaldo de la lavadora. Estas abrazaderas forman una tubería vertical para prevenir el sifonaje de agua. **NO SAQUE ESTAS ABRAZADERAS.**

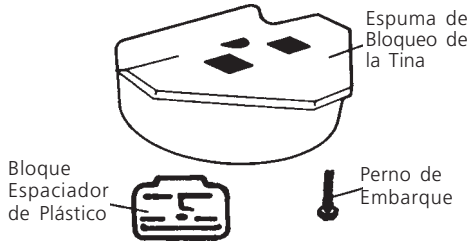


2. Utilizando las cuatro esquineras de la caja de cartón (2 en cada lado), haga descansar cuidadosamente la Lavadora/Secadora Superpuestas sobre el lado izquierdo y saque la base de espuma de embarque.

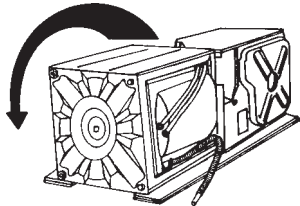


3. Utilizando la llave de tubo de 3/8 de pulgada, saque el perno de embarque. Saque el bloque espaciador de plástico del centro de la base usando unos alicates ajustables.

NOTA: Si la Lavadora/Secadora Superpuestas va a ser transportada a otro lugar posteriormente, conserve la espuma de bloqueo de la tina, el perno de embarque y el espaciador de plástico.



4. Vuelva a colocar la Lavadora/Secadora Superpuestas en la posición vertical.



5. Instale el cordón eléctrico de 3 conductores.

a. Saque la tapa del tablero de bornes situada en la parte trasera de la secadora.

b. Instale un anclaje de cable aprobado por el U.L. (Figura 11) en un agujero de una pulgada en la parte trasera debajo de la cavidad del tablero de bornes.

c. Pase el cable de 30 amperes aprobado por el U.L. a través del anclaje.

d. Conecte el conductor central del cordón eléctrico al tornillo de borne plateado del tablero de bornes y apriete firmemente.

e. Conecte los otros conductores a los bornes externos y apriete firmemente (Figura 12).

f. Vuelva a colocar la tapa del tablero de bornes.

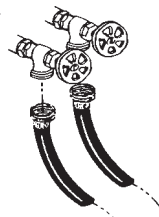
6. Deje correr un poco de agua de las llaves de agua caliente y fría para vaciar las líneas y eliminar las partículas que pueden obstruir las rejillas de las válvulas de agua. Examine los tubos de entrada de agua para asegurarse de que las arandelas de caucho estén instaladas en cada extremo. Conecte con cuidado los tubos de entrada a la válvula de agua (en el lado izquierdo de la lavadora), apriete a mano y luego apriete 2/3 de vuelta con unos alicates.

¡ATENCIÓN NO ESTROPEE LAS ROSCAS NI APRIETE ESTAS CONEXIONES EXCESIVAMENTE.

7. Determine cuál de las llaves de agua es la de agua CALIENTE y conecte con cuidado el tubo inferior de entrada a la llave de agua CALIENTE, apriete a mano y luego apriete 2/3 de vuelta con unos alicates. Conecte con cuidado el tubo superior de entrada a la llave de agua FRÍA, apriete a mano y luego apriete 2/3 de vuelta con unos alicates.

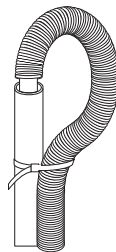
¡ATENCIÓN NO ESTROPEE LAS ROSCAS NI APRIETE ESTAS CONEXIONES EXCESIVAMENTE.

Abra la llave del agua y compruebe que no haya fugas en ninguna de las dos conexiones.



8. Forme una «U» en el extremo del tubo de drenaje con el tubo señalando hacia el drenaje. Coloque el extremo formado del tubo de drenaje en un lavadero o una tubería vertical y fíjelo con un sujetacables incluido en el paquete.

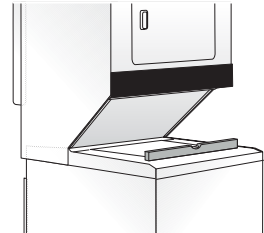
¡ATENCIÓN ES POSIBLE QUE EL AGUA SE SAQUE DESDE LA LAVADORA/SECADORA SUPERPUESTAS SI NO SE SIGUEN LAS INSTRUCCIONES DE ARRIBA.



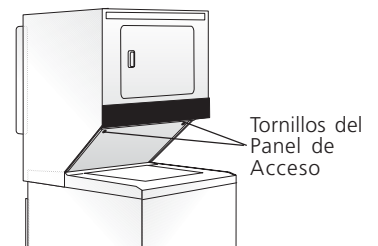
9. Con cuidado, mueva la Lavadora/Secadora Superpuestas hasta su ubicación definitiva.



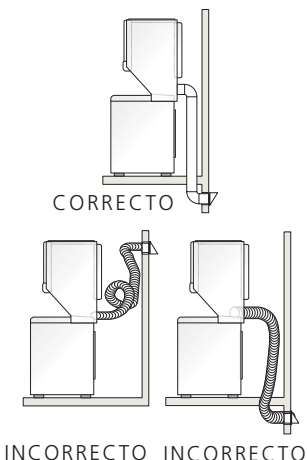
10. Para verificar si la Lavadora/Secadora Superpuestas está nivelada y firmemente asentada, incline la máquina hacia adelante de modo que las patas posteriores queden en el aire. Luego vuelva a depositar cuidadosamente la máquina para permitir que las patas posteriores se ajusten. Coloque un nivel de carpintero encima de la lavadora. Revísela de lado a lado y luego del frente hacia atrás para asegurarse de que el artefacto quede firmemente asentado sobre sus cuatro patas (no debe haber movimiento de vaivén).

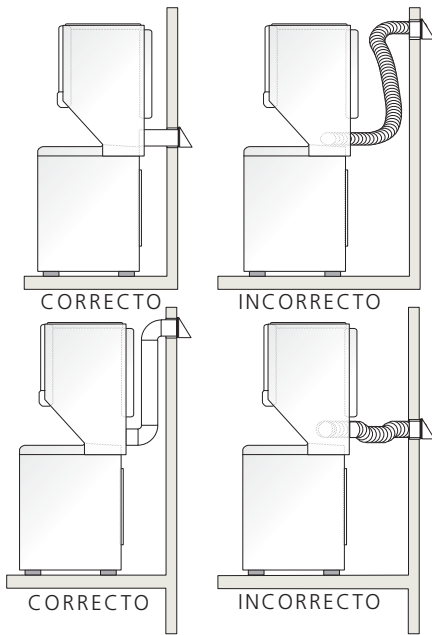


11. Saque los dos (2) tornillos que aseguran el panel de acceso delantero al gabinete de la secadora. Haga descender el panel hasta que las lengüetas inferiores puedan desengancharse del gabinete, saque el panel y colóquelo a un lado.



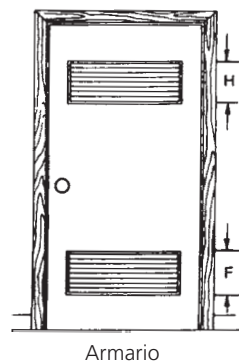
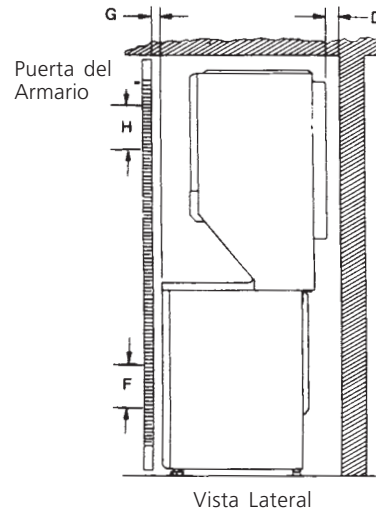
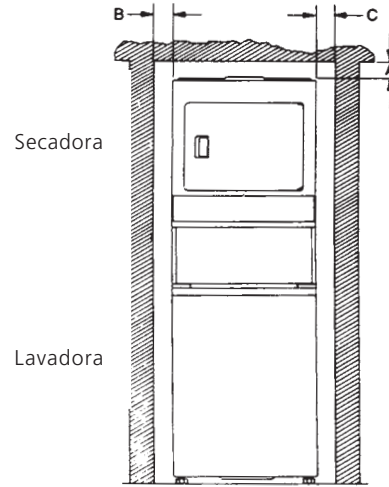
12. Conecte el ducto de escape hacia en su lugar en el exterior. Utilice cinta para obturar todas las uniones. No exceda el largo de la tubería del ducto o el número de codos permitido en la Tabla de Largo Máximo, Página 3. Instale el ducto de escape como se describe en la sección Requerimientos del Sistema de Escape, Página 3 y consulte los dibujos que se incluyen a continuación. Para conectar el escape hacia el interior, consulte Métodos de Escape Alternos, Página 6.





Instalaciones alternas: instalación en un nicho o en un armario.

A continuación se indican los espacios y aberturas mínimas necesarias para la instalación (en pulgadas). Para facilitar la instalación y el servicio, se recomienda agregar un poco más de espacio.



Espacio de Instalación Mínimo

INSTALACION EN NICHOS	A	B	C	D	F	G	H
ESCAPE AL INTERIOR	4	0	4	0			
ESCAPE AL EXTERIOR	1	0	0	0			

INSTALACION EN ARMARIO	A	B	C	D	F	G	H
ESCAPE HACIA EL EXTERIOR SOLAMENTE	1	0	0	0	60 PULG. CUAD.	1	60 PULG. CUAD.

Cuando la Lavadora/Secadora Superpuestas es instalada en otro lugar que no sea en un nicho o armario como se muestra en la ilustración, se deben respetar las dimensiones mínimas indicadas.

Para evitar que se acumulen grandes cantidades de pelusas y humedad y mantener la eficiencia del secado, este artefacto debe tener el escape hacia el exterior.

Para las instalaciones sin escape, la única posición de escape permitida es en la parte trasera.

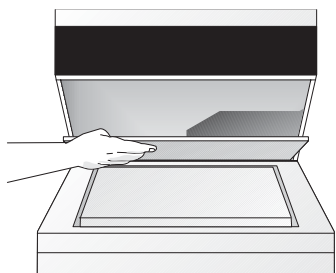
13. Lea y conserve las Instrucciones de Funcionamiento y la Guía de Uso y Cuidado incluida junto con la Lavadora Secadora Superpuestas.

14. Limpie el tambor de la secadora y la tina de la lavadora con un paño húmedo.

15. Conecte la corriente en el disyuntor/caja de fusibles.

16. Ponga en marcha la lavadora y secadora, hágala FUNCIONAR DURANTE UN CICLO COMPLETO y verifique si hay escapes, revise las conexiones eléctricas y el desagüe de la tina.

17. Vuelva a instalar el panel de acceso.



Métodos alternos para sujetar la manguera de desagüe

A. Coloque el extremo doblado de la manguera de desagüe en la tina o toma de agua.

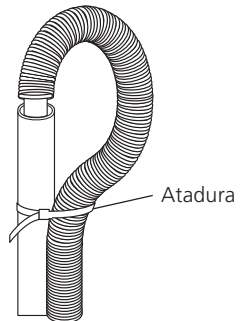


Figura 3

B. La manguera de desagüe debe sujetarse firmemente con la atadura de modo que no se salga de la toma de agua durante el uso.

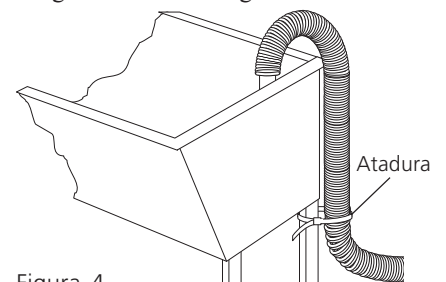
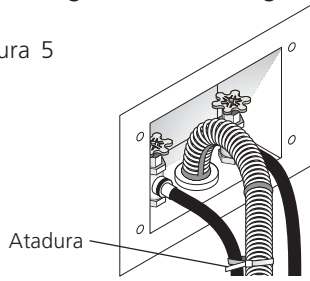


Figura 4

C. Sujete la manguera como se muestra en la Figura 3 - Tubo de Toma; en la Figura 4 - Tina; y en la Figura 5 - toma de agua mural.

Figura 5



ASEGURESE DE QUE LA MANGUERA NO ESTE TORCIDA O DOBLADA Y QUE ESTE FIRMEMENTE SUJETA EN SU LUGAR.

Métodos de escape alternos

A. Existen juegos de escape que permiten dirigir el aire del escape filtrado hacia el interior para conservar energía durante los meses de invierno. Usted puede usar estos dispositivos con la Lavadora/Secadora Superpuestas siempre que el uso no infrinja los códigos locales o nacionales y que el dispositivo no restrinja el flujo del aire de escape. Si usa uno de estos juegos, debe informarse de que el exceso de humedad en el hogar puede causar muchos problemas y que notará un aumento en el tiempo requerido para secar una carga. Además, la instalación del juego debe ser mantenida en forma debida para evitar acumulación excesiva de pelusas, que pueden afectar el rendimiento de la secadora.

B. Para instalación en casas móviles, la secadora **debe** tener el escape hacia el exterior. Si el tubo de escape de la secadora corre a través del piso y el área debajo de la casa móvil es cerrada, el ducto de escape **debe** terminar más allá del área cerrada. Al alejar el ducto de escape se evita la acumulación de pelusas y humedad debajo de la casa móvil. Ver Figura 7.

Instalación en Casa Móvil

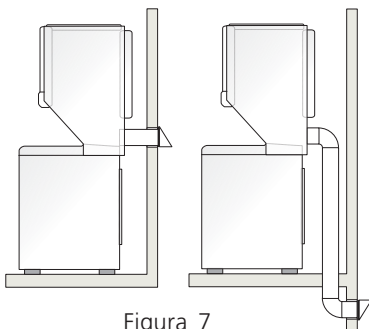


Figura 7

Conexión eléctrica alterna

Desconecte el cordón eléctrico del tomacorriente antes de hacer estos cambios.

Este artefacto debe ser puesto a tierra.

Este artefacto está fabricado **con** el conductor neutro conectado al bastidor.

A. Si los códigos locales permiten el uso de un cordón eléctrico tipo flexible y:

- I. NO permiten conexión del conductor de puesta a tierra de bastidor al alambre neutro del cordón eléctrico:
 - a. Saque la tapa del tablero de bornes.
 - b. Saque el cable de puesta a tierra del tornillo de puesta a tierra verde y colóquelo bajo el tornillo central plateado del tablero de bornes. Ver Figura 8.

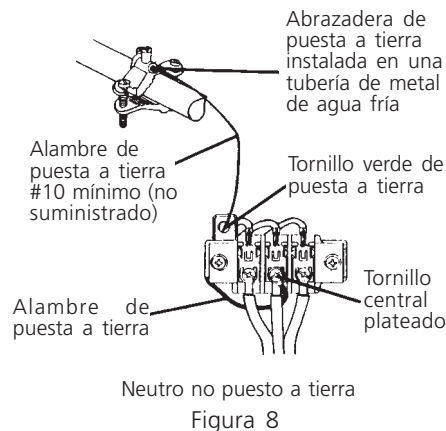


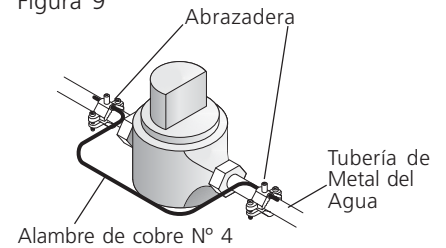
Figura 8

Conecte el alambre de puesta a tierra de cobre separado del tornillo de puesta a tierra verde a una tierra aprobada.

- c. Conecte un alambre de puesta a tierra de cobre separado (No. 10 mínimo a una tubería de agua fría puesta a tierra* mediante una abrazadera y luego al bastidor del artefacto en el tornillo de puesta a tierra verde. Use el conjunto de abrazadera y alambre de puesta a tierra Pieza No. 685463. No use una tubería de gas para la puesta a tierra. No enchufe el cordón eléctrico en el tomacorriente hasta que el artefacto no esté permanentemente puesto a tierra.

- d. Vuelva a colocar la tapa del

Figura 9



tablero de bornes.

*La tubería del agua fría puesta a tierra debe poseer continuidad metálica a la tierra eléctrica y no estar interrumpida por conectores aisladores eléctricos de plástico o de goma o de otra clase (tales como mangueras, accesorios, arandelas o juntas, incluyendo un medidor de agua o bomba). Cualquier conector aislador eléctrico debe ser conectado en puente como se muestra en la Figura 9 con un trozo de alambre de cobre Nº 4, firmemente sujeto en ambos extremos al metal desnudo mediante una abrazadera.

B. Si los códigos locales NO permiten el uso de un cordón eléctrico y:

- I. Permiten conexión del conductor de puesta a tierra del bastidor al alambre neutro del cordón eléctrico:
 - a. Saque la tapa del tablero de bornes.

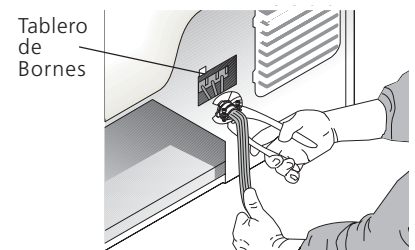


Figura 10

- b. Instale un anclaje de cable aprobado por el U.L. (Figura 11) en un agujero de una pulgada en la parte trasera de la secadora debajo de la abertura del tablero de bornes.

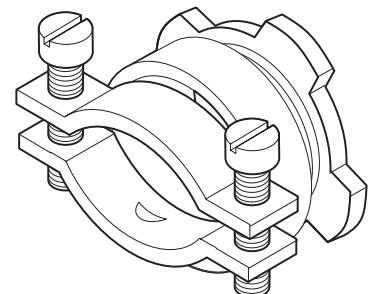
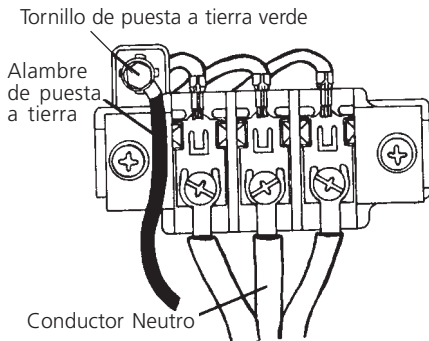


Figura 11

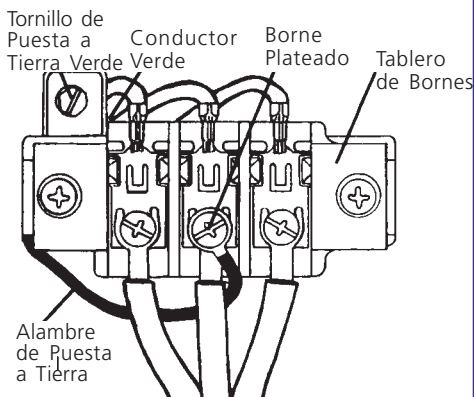
- c. Instale un cordón eléctrico de cobre.

- d. Conecte el alambre neutro del cable eléctrico flexible de cobre no metálico al tornillo de borne central plateado del tablero de bornes y conecte los otros alambres a los bornes externos. Ver Figura 12. Para conectar el alambre de campo de extremo sencillo, ver Figura 15.
- e. Vuelva a colocar la tapa del tablero de bornes.



Conductor Neutro puesto a tierra
Figura 12

2. NO se permite conexión del conductor de puesta a tierra del bastidor al conductor neutro del cordón eléctrico:
- Saque la tapa del tablero de bornes.
 - Instale un anclaje de cable aprobado por el U.L. (Figura 11) en un agujero de una pulgada en la parte trasera de la secadora debajo de la abertura del tablero de bornes.
 - Instale el cordón eléctrico de cobre.
 - Saque el alambre de puesta a tierra del tornillo de puesta a tierra verde e instálelo bajo el tornillo central plateado del tablero de bornes.
 - Conecte el conductor neutro del cordón eléctrico al borne central plateado del tablero de bornes y conecte los otros alambres a los



bornes externos. Ver Figura 13. Para la conexión de alambre de extremo sencillo ver Figura 15.

Conecte el alambre separado de puesta a tierra de cobre del conector de puesta a tierra externo a una tierra aprobada.

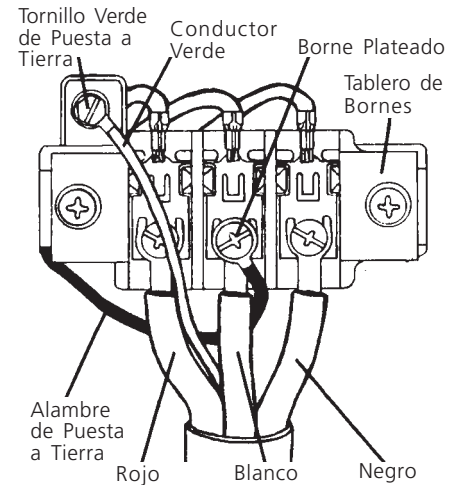
Conductor neutro no puesto a tierra
Figura 13

- Conecte un alambre de puesta a tierra de cobre separado (No. 10 mínimo a una tubería de agua fría puesta a tierra* mediante una abrazadera y luego al bastidor del artefacto en el tornillo de puesta a tierra verde. Use el conjunto de abrazadera y alambre de puesta a tierra Pieza No. 685463. No use un tubería de gas para la puesta a tierra. No enchufe el cordón eléctrico en el tomacorriente hasta que el artefacto no esté permanentemente puesto a tierra.
- Vuelva a colocar la tapa del tablero de bornes.

*La tubería del agua fría puesta a tierra debe poseer continuidad metálica a la tierra eléctrica y no estar interrumpida por conectores aisladores eléctricos de plástico o de goma o de otra clase (tales como mangueras, accesorios, arandelas o juntas, incluyendo un medidor de agua o bomba). Cualquier conector aislador eléctrico debe ser conectado en puente como se muestra en la Figura 9 con un trozo de alambre de cobre N° 4, firmemente sujeto en ambos extremos al metal desnudo mediante una abrazadera.

C. Si se conecta a un sistema eléctrico tetrafilar (casa móvil):

- Saque la tapa del tablero de bornes.
- Instale un anclaje de cable aprobado por U.L. (Figura 11) en un agujero de una pulgada en la parte trasera de la secadora debajo del abertura del tablero de bornes.
- Instale un cordón eléctrico de cuatro conductores.
- Saque el alambre de puesta a tierra del tornillo de puesta a tierra verde e instálelo en el tornillo central plateado del tablero de bornes.
- Conecte el alambre de puesta a tierra (verde) del cordón de 4 conectores de cobre al tornillo de puesta a tierra verde.
- Conecte el alambre neutro (blanco) del cordón eléctrico al tornillo central plateado del tablero de bornes y conecte los otros alambres a los bornes externos. Ver Figura 14. Para conectar el alambre de campo de extremo sencillo, ver Figura 15.

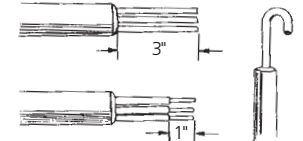


- Vuelva a colocar la tapa del tablero de bornes. Conector neutro no puesto a tierra tetrafilar.

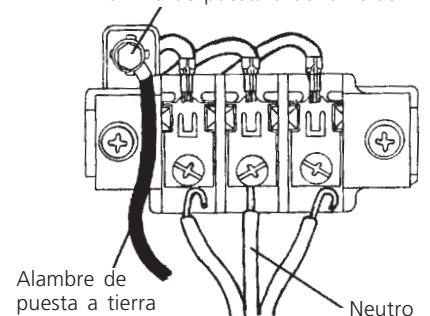
Figura 14

SI SU CORDON ELECTRICO O EL CABLEADO DIRECTO TIENE EXTREMOS DE ALAMBRE SENCILLOS, VEA LA FIGURA 15 Y SIGA ESTOS PASOS:

- Saque la envoltura exterior del alambre aproximadamente 3 pulgadas desde el extremo, dejando al descubierto tres alambres.
- Tire hacia atrás el aislamiento aproximadamente una pulgada desde el extremo de cada cable. Forme un gancho en forma de U con el alambre desnudo.
- Afloje, sin sacar, el tornillo central plateado del tablero de bornes.
- Deslice el extremo del conductor neutro (blanco o central) bajo la cabeza del tornillo con el lado abierto del gancho a la derecha. Apriete el alambre para formar un anillo.
- Apriete el tornillo firmemente.
- Conecte los dos alambres restantes a los tornillos externos de la misma manera. Apriete firmemente los tornillos.

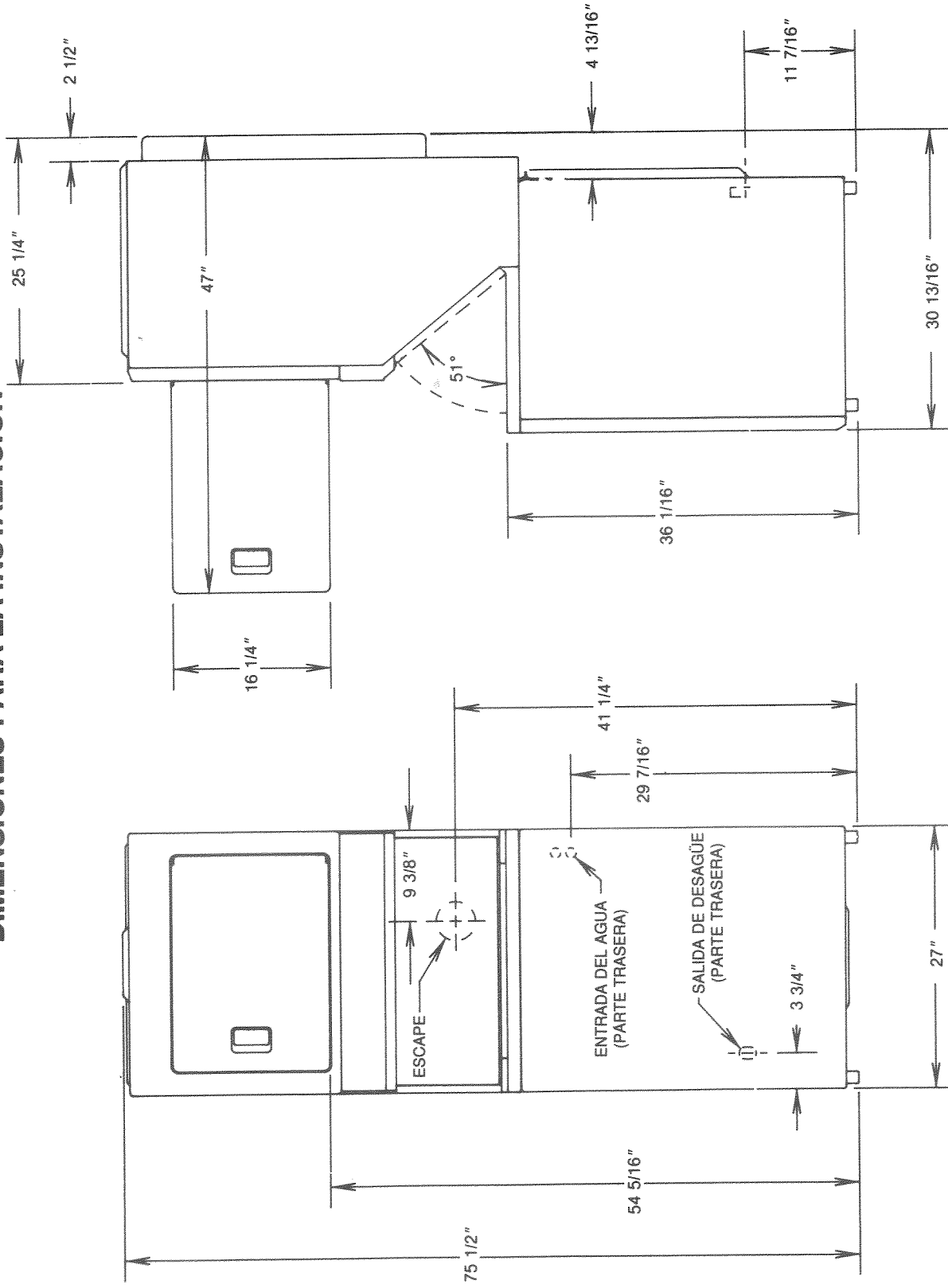


Tornillo de puesta a tierra verde



Cableado de campo de extremo sencillo
Figura 15

DIMENSIONES PARA LA INSTALACION



**Sears, Roebuck and Co.
Hoffman Estates, IL 60179 U.S.A.**