

Frigidaire

Factory Parts Catalog

Product No.	GLHV30T4KC	GLHV30T4KW	GLHV36T5KC	GLHV36T5KW
Market	North America	North America	North America	North America
Color	stainless steel	white	stainless steel	white
Exhaust-CFM	305 CFM	305 CFM	305 CFM	305 CFM
Volts	120	120	120	120
Owner's Guide	316137203	316137203	316137203	316137203
Installation Instructions	316137203	316137203	316137203	316137203
Wiring Diagram	5995359972	5995359972	5995359972	5995359972

 **Electrolux**

ELECTROLUX HOME PRODUCTS, INC.
P.O. Box 212378, Augusta, GA 30917

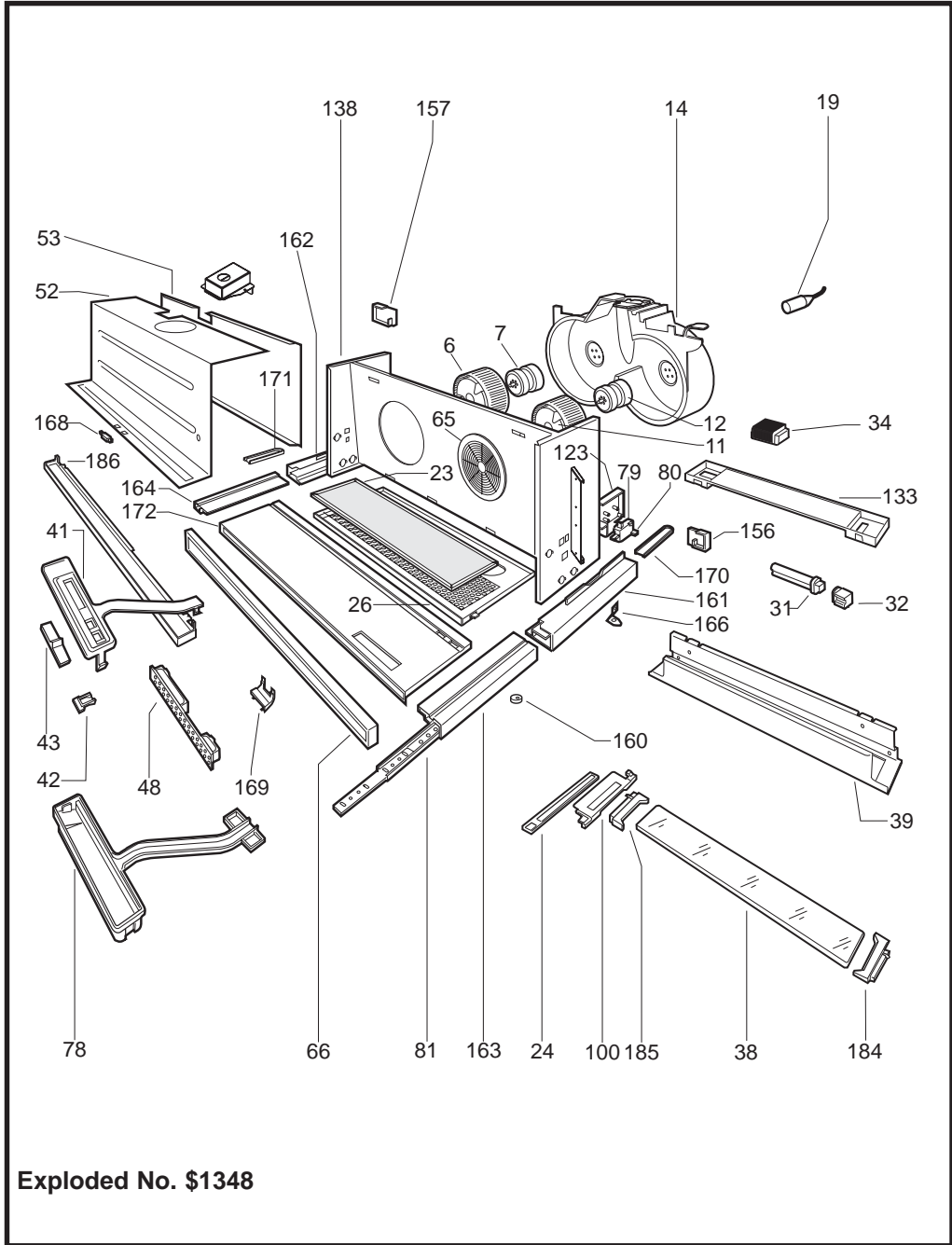
Publication No.
5995359972
05/02/09
(EN/SERVICE/KC)
099

RANGE HOOD

Model No.
GLHV30T4K /
GLHV36T5K

Copyright © 2005 Electrolux Home Products, Inc.
All rights reserved.

REPLACEMENT PARTS

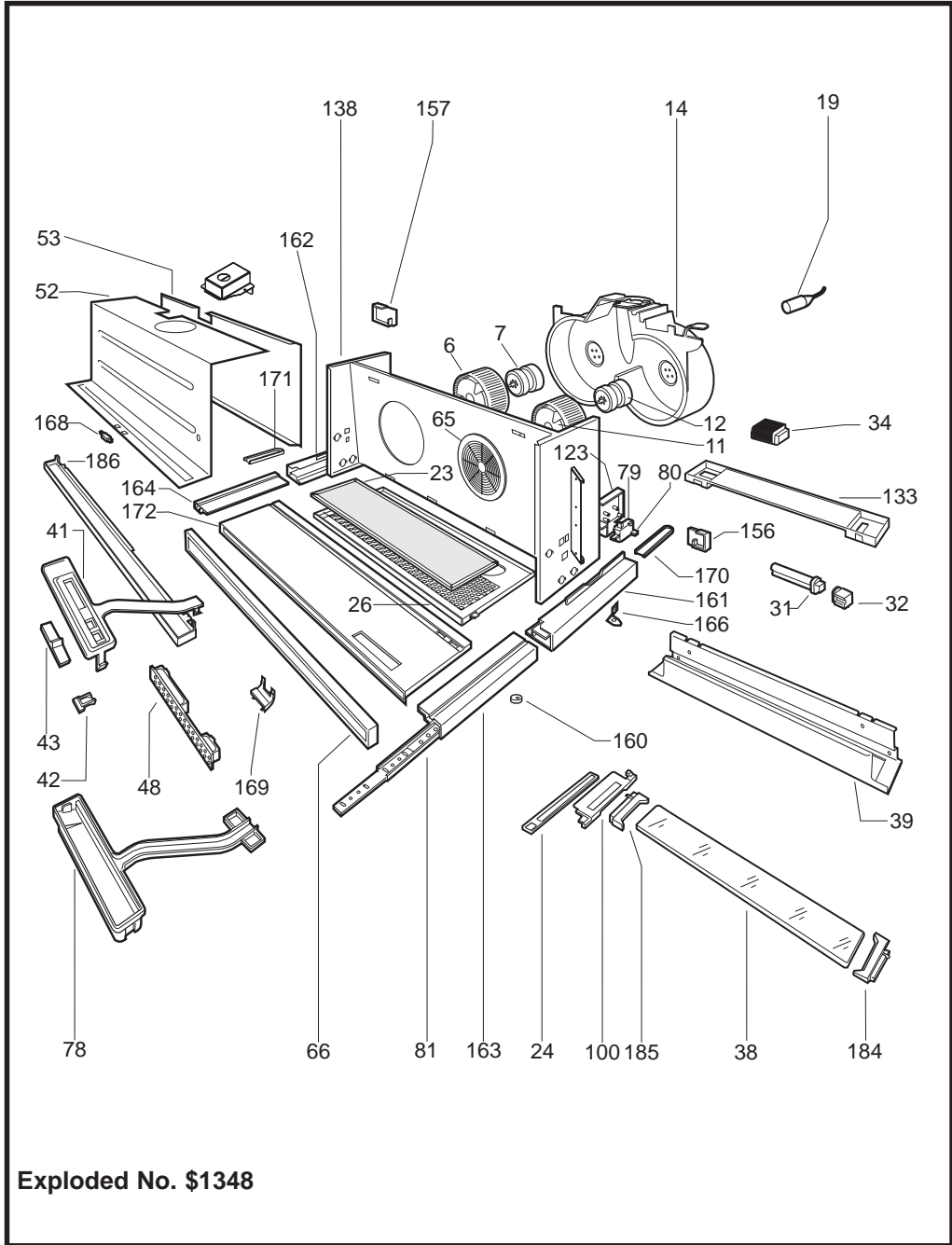


REPLACEMENT PARTS

Model Index: A GLHV30T4K (GLHV30T4KC)
 B GLHV30T4K (GLHV30T4KW)
 C GLHV36T5K (GLHV36T5KC)
 D GLHV36T5K (GLHV36T5KW)

POS. NO	PART NO.				DESCRIPTION	
6 #	5304425139	A	B	C	D	Blower Wheel, fan, LS
7 #	5304425140	A	B	C	D	Motor, blower fan, LS
11 #	5304425141	A	B	C	D	Blower Wheel, fan, RS
12 #	5304425142	A	B	C	D	Motor, blower fan, RS
14	5304425143	A	B	C	D	Housing, blower fan
19 #	5304425144	A	B	C	D	Capacitor
23 #	5304425145	A	B	-	-	Filter, range hood
23 #	5304425146	-	-	C	D	Filter, range hood
24	5304425147	A	B	C	D	Bracket, filter retainer
26	5304425148	A	B	-	-	Grille, filter grid
26	5304425149	-	-	C	D	Grille, filter grid
31	5304425150	A	B	C	D	Lamp, Philips PL-S, 9 Watt, fluorescent
32 #	5304425151	A	B	C	D	Lamp Holder
34 #	5304425152	A	B	C	D	Ballast, lamp, transformer
38	5304425153	A	B	C	D	Cover, lamp lens
39	5304425154	A	B	-	-	Housing, lamp, cover support
39	5304425155	-	-	C	D	Housing, lamp, cover support
41	5304425156	A	B	C	D	Panel, control
42	5304425157	A	B	C	D	Actuator, light key
43	5304425158	A	B	C	D	Actuator, motor key
48 #	5304425159	A	B	C	D	Control, circuit board
52	5304425160	A	B	-	-	Panel, front cover
52	5304425161	-	-	C	D	Panel, front cover
53	5304425162	A	B	C	D	Panel, back cover
65	5304425163	A	B	C	D	Cover, exhaust vent, connector
66	5304425174	A	-	-	-	Trim, dashboard, stainless steel, front
66	5304425175	-	B	-	-	Trim, dashboard, white, front
66	5304425176	-	-	C	-	Trim, dashboard, stainless steel, front
66	5304425177	-	-	-	D	Trim, dashboard, white, front
78	5304425178	A	B	C	D	Cover, control
79 #	5304425179	A	B	C	D	Switch
80	5304425180	A	B	C	D	Lever, switch actuator
81	5304425181	A	B	C	D	Glide, drawer guide, (2)
100	5304425182	A	B	C	D	Handle, drawer pull-out
123	5304425183	A	B	C	D	Housing, switch cover
133	5304425184	A	B	C	D	Support, lamp
138	5304425185	A	B	-	-	Bulkhead, shell
138	5304425186	-	-	C	D	Bulkhead, shell
156	5304425187	A	B	C	D	Cover, end cap, RS
157	5304425188	A	B	C	D	Cover, end cap, LS
160	5304425189	A	B	C	D	Cap, plug
161	5304425190	A	B	C	D	Moulding, outside right
162	5304425191	A	B	C	D	Moulding, outside left
163	5304425192	A	B	C	D	Moulding, inside right
164	5304425193	A	B	C	D	Moulding, inside left
166	5304425194	A	B	C	D	Spring, side
168	5304425195	A	B	C	D	Block, sliding
*	5304435675	A	B	C	D	Filter-Charcoal
*	5023779500	A	B	C	D	Bracket, charcoal filter
*	5304434183	A	B	C	D	Flange, w/ non return valve

REPLACEMENT PARTS



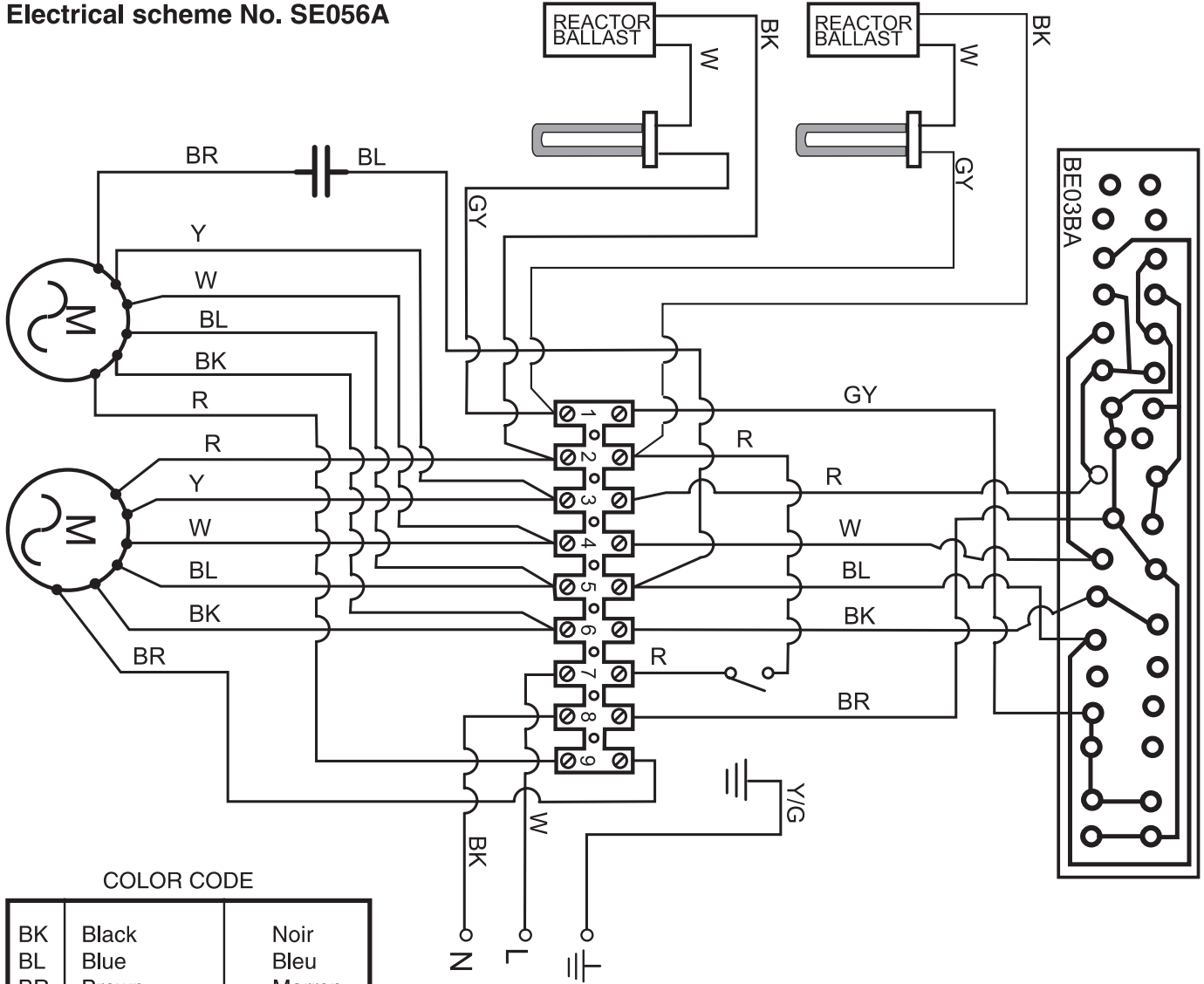
REPLACEMENT PARTS

Model Index: A GLHV30T4K (GLHV30T4KC)
 B GLHV30T4K (GLHV30T4KW)
 C GLHV36T5K (GLHV36T5KC)
 D GLHV36T5K (GLHV36T5KW)

POS. NO	PART NO.				DESCRIPTION	
169	5304425196	A	B	C	D	Retainer, wire holder
170	5304425197	A	B	C	D	Spacer, drawer, RS
171	5304425198	A	B	C	D	Spacer, drawer, LS
172	5304425199	A	B	-	-	Drawer, removable
172	5304425200	-	-	C	D	Drawer, removable
184	5304425201	A	B	C	D	End Cap, lamp cover, RS
185	5304425202	A	B	C	D	End Cap, lamp cover, LS
186	5304425203	A	B	-	-	Moulding, lower front
186	5304425204	-	-	C	D	Moulding, lower front

WIRING DIAGRAM

Electrical scheme No. SE056A



COLOR CODE

BK	Black	Noir
BL	Blue	Bleu
BR	Brown	Marron
G	GREEN	VERT
GY	GRAY	GRIS
R	RED	ROUGE
W	WHITE	BLANC
Y	YELLOW	JAUNE