

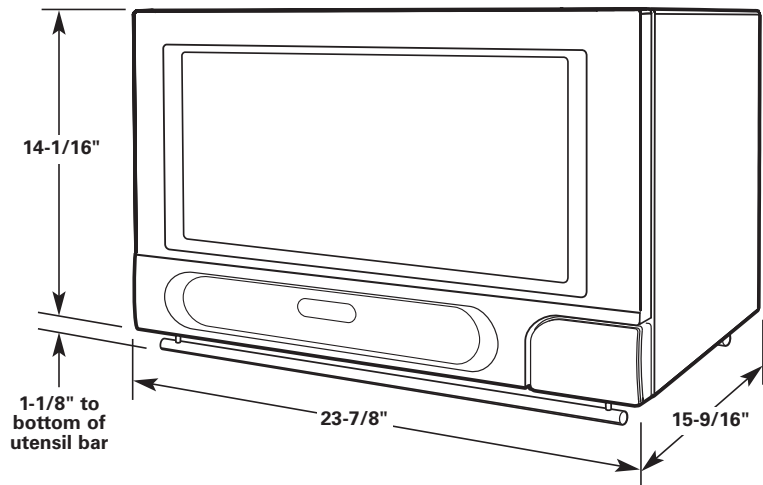
KitchenAid® Above-the-Counter Microwave Oven

PRODUCT MODEL NUMBERS

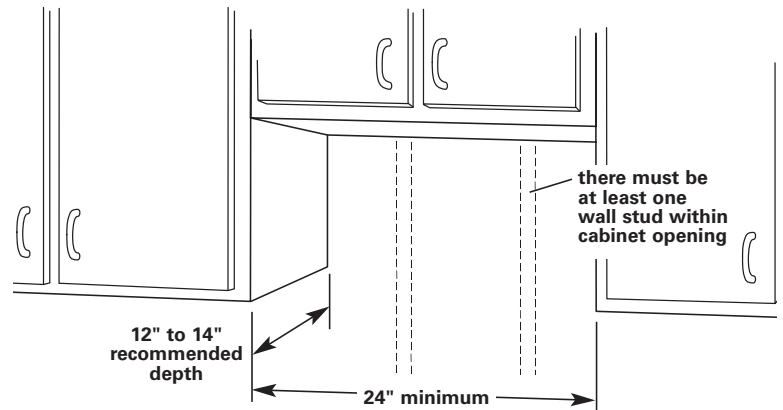
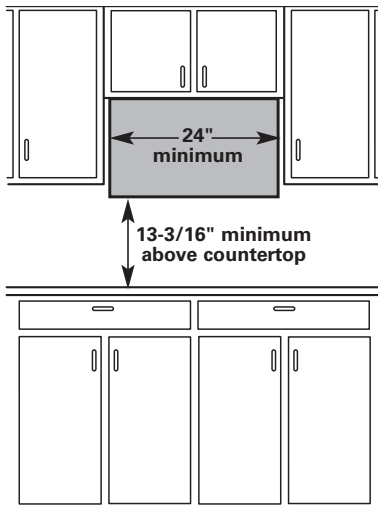
KOMS155M

Electrical: A 120-volt, 60-Hz, AC-only, 15- or 20-amp electrical supply located in the upper cabinet as close as possible to the microwave oven. A time-delay fuse or circuit breaker and separate circuit is recommended.

OVERALL DIMENSIONS



CABINET OPENING DIMENSIONS



Note: This microwave oven is intended for installation over a countertop. Do not install this microwave oven above any heat source such as a range or cooktop.