

Frigidaire

Factory Parts Catalog

Product No.	FAC086N7A1	FAC086N7A2
Series	Compact II	Compact II
Volts	115	115
BTU-Cooling	8000	8000
Owner's Guide	2202039823	2202039823
Market	North America	North America

 **Electrolux**

ELECTROLUX HOME PRODUCTS, INC.
P.O. Box 212378, Augusta, GA 30917

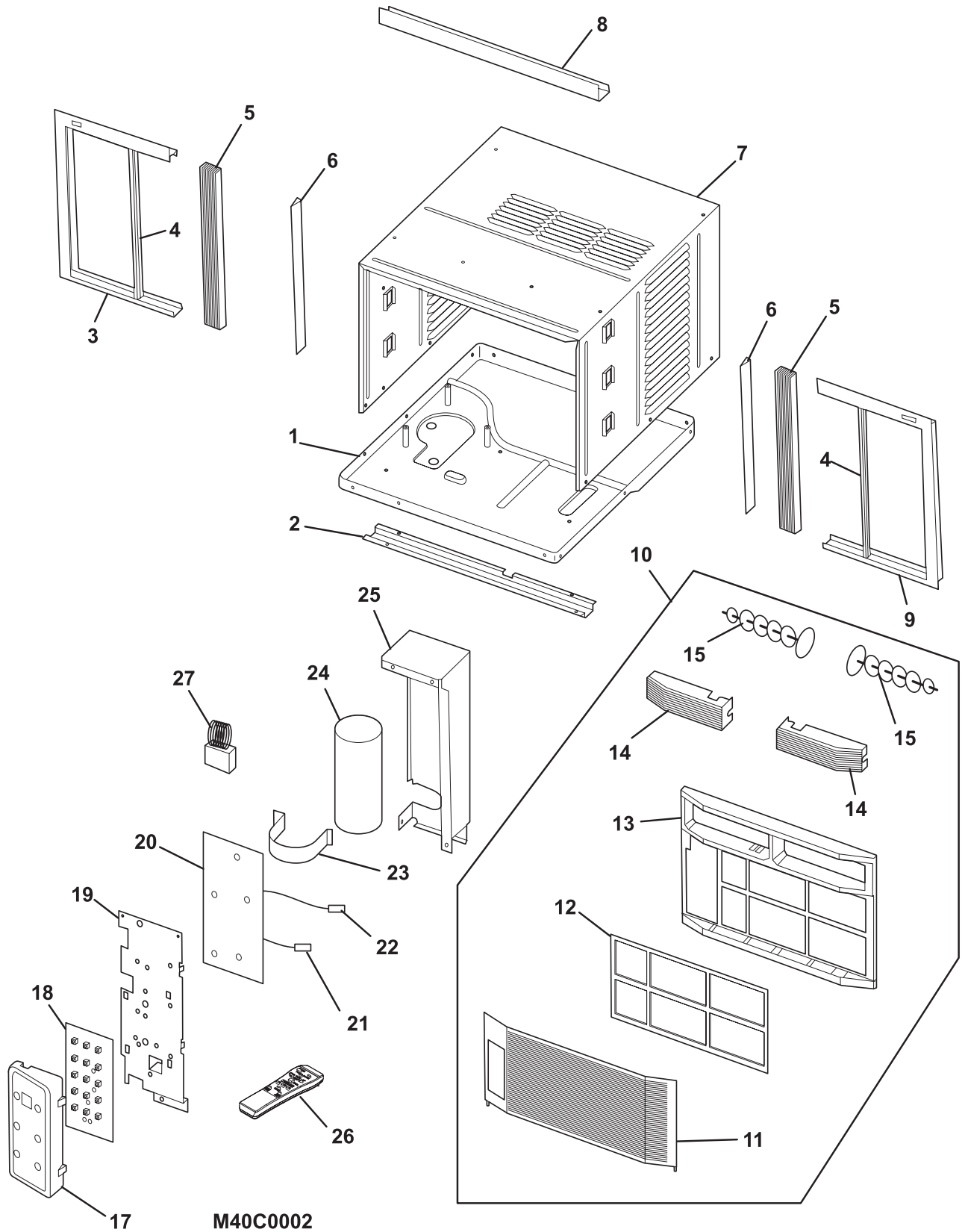
Publication No.
5995416103
04/09/09
(EN/SERVICE/KC)
099

**ROOM AIR
CONDITIONER**

Model No.
FAC086N7A

Copyright © 2004 Electrolux Home Products, Inc.
All rights reserved.

CABINET, FRONT, CONTROLS

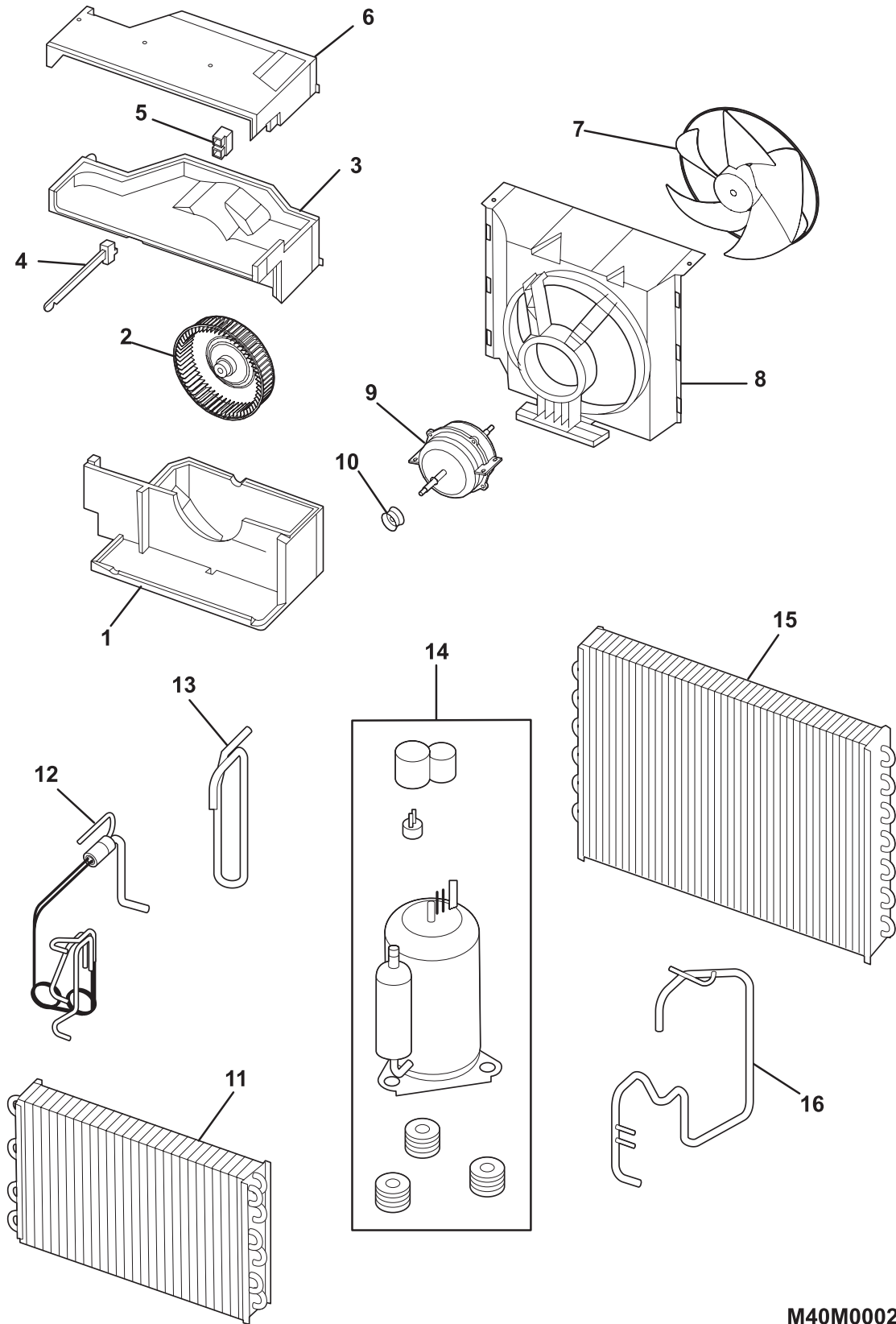


CABINET, FRONT, CONTROLS

Model Index: A FAC086N7A (FAC086N7A1)
 B FAC086N7A (FAC086N7A2)

POS. NO	PART NO.		DESCRIPTION
1	5304436522	A B	Base, unit chassis
2	5304436523	A B	Rail, shutter track, bottom
3	5304436544	A B	Frame, shutter panel, LH
4	5304436545	A B	Retainer, shutter lock
5	5304436546	A B	Shutter, accordion panel
6	5304436547	A B	Retainer, shutter mount, cabinet sides
7	5304436548	A B	Cabinet, wrapper/sleeve
8	5304436549	A B	Rail, shutter track, top
9	5304436550	A B	Frame, shutter panel, RH
10	5304436600	A B	Front Assembly, complete panel, includes
11	5304436551	A B	Panel, front grille, tilt-out
12	5304436552	A B	Filter, air, plastic frame
13	5304436553	A B	Frame, front assembly
14	5304436554	A B	Louver, horizontal
15	5304436555	A B	Louver, vertical
17	5304436536	A B	Enclosure, control, pcb display
17	5304436538	A B	Control Panel, display, electronic
18 #	5304436535	A B	PC Board, display/input
19	5304436533	A B	Panel, ctrl mtg board
20 #	5304436532	A B	PC Board, control/power
21 #	5304436543	A B	Sensor, ambient temp
22 #	5304436542	A B	Sensor, evap temp, defrost
23	5304436530	A B	Strap, capacitor mtg.
24 #	5304436528	A B	Capacitor
25	5304436524	A B	Control Box
26 #	5304436596	A B	Remote Control, transmitter
27 #	5304436529	A B	Ionizer

COOLING & AIR FLOW SYSTEMS



M40M002

COOLING & AIR FLOW SYSTEMS

Model Index: A FAC086N7A (FAC086N7A1)
 B FAC086N7A (FAC086N7A2)

POS. NO	PART NO.		DESCRIPTION
1	5304436556	A B	Scroll, blower housing, bottom, w/drain tray
2 #	5304436557	A B	Blower Wheel, centrifugal fan
3	5304436559	A B	Scroll, blower housing, top
4	5304436558	A B	Door, fresh air vent, with lever
5	5304436564	A B	Guide, vent door/lever
6	5304436565	A B	Cover, blower scroll, top
7 #	5304436563	A B	Fan Blade, propeller, axial flow
8 #	5304436562	A B	Shroud, fan housing
9 #	5304442199	A -	Motor, fan
9 #	5304442198	- B	Motor, fan
10	5304436560	A B	Seal, fan motor, rubber ring, water proof
11 #	5304436567	A B	Evaporator
12 #	5304436584	A B	Capillary Tube, assy w/strainer
13 #	5304436578	A B	Discharge Tube
14 #	5304437077	A B	Compressor Assy
15 #	5304436571	A B	Condenser
16 #	5304437100	A B	Suction Tube

WIRING DIAGRAM

