



Use & Care

G U I D E

Microwave Ovens



A Note to You	2
Microwave Oven Safety	3
Installation Instructions	5
Getting to Know Your Microwave Oven.....	7
How your microwave oven works.....	7
Radio interference	7
For the best cooking results.....	7
Testing your dinnerware or cookware.....	7
Operating tips.....	8
Electrical connection	8
Microwave oven features.....	9
Control panel features.....	10
Built-in kits	11
Setting the clock.....	11
Microwave Oven Use	12
Cooking at high cook power	12
Cooking at different cook powers.....	12
Cooking with more than one cook cycle.....	13
Using EZ-CHOICE™ Cooking Feature	13
EZ-CHOICE™ Cooking Feature Chart.....	14
Using AUTO DEFROST	16
Defrosting tips.....	17
Using ADD MINUTE.....	17
Using WARM HOLD	17
Cooking Guide	18
Microwave Oven Care.....	19
Questions and Answers.....	20
Troubleshooting	21
Assistance or Service	22
Warranty.....	24

1-800-461-5681

Call our Customer Interaction Center
with questions or comments.

www.whirlpool.com/canada

MODEL YMT4070SK

3828W5A8427/8206138

A NOTE TO YOU

Thank you for buying a WHIRLPOOL® appliance.

The Whirlpool® Brand is committed to designing quality products that consistently perform for you to make your life easier. To ensure that you enjoy years of trouble-free operation, we developed this Use and Care Guide. It is full of valuable information about how to operate and maintain your appliance properly. Please read it carefully.

Also, complete and mail the Product Registration Card provided with your appliance. The card helps us notify you about any new information on your appliance.

Please record your model's information.

Whenever you call to request service for your appliance, you need to know your complete model number and serial number. You can find this information on the model and serial number label/plate (see the diagram in the "Getting to Know Your Microwave Oven" section).

Please also record the purchase date of your appliance and your dealer's name, address, and telephone number.

Model Number _____

Serial Number _____

Purchase Date _____

Dealer Name _____

Dealer Address _____

Dealer Phone _____

Keep this book and the sales slip together for future reference. It is important for you to save your sales receipt showing the date of purchase. Proof of purchase will assure you of in-warranty service.

Our Customer Interaction Center number is toll free.

1-800-461-5681

To find detailed product information, the location of the nearest Whirlpool dealer or designated servicer, to purchase an accessory item, or register your appliance on-line, please visit our website at www.whirlpool.com/canada



MICROWAVE OVEN SAFETY

Your safety and the safety of others are very important.

We have provided many important safety messages in this manual and on your appliance. Always read and obey all safety messages.



This is the safety alert symbol.

This symbol alerts you to potential hazards that can kill or hurt you and others.

All safety messages will follow the safety alert symbol and either the word "DANGER" or "WARNING." These words mean:

⚠ DANGER

You can be killed or seriously injured if you don't immediately follow instructions.

⚠ WARNING

You can be killed or seriously injured if you don't follow instructions.

All safety messages will tell you what the potential hazard is, tell you how to reduce the chance of injury, and tell you what can happen if the instructions are not followed.

IMPORTANT SAFETY INSTRUCTIONS

When using electrical appliances basic safety precautions should be followed, including the following:

WARNING: To reduce the risk of burns, electric shock, fire, injury to persons or exposure to excessive microwave energy:

- Read all instructions before using the microwave oven.
- Read and follow the specific "PRECAUTIONS TO AVOID POSSIBLE EXPOSURE TO EXCESSIVE MICROWAVE ENERGY" found in this section.
- The microwave oven must be grounded. Connect only to properly grounded outlet. See "GROUNDING INSTRUCTIONS" found in the "Installation Instructions" section.
- Install or locate the microwave oven only in accordance with the installation instructions.
- Some products such as whole eggs and sealed containers – for example, closed glass jars – may explode and should not be heated in the microwave oven.
- Use the microwave oven only for its intended use as described in this manual. Do not use corrosive chemicals or vapors in the microwave oven. This type of oven is specifically designed to heat, cook, or dry food. It is not designed for industrial or laboratory use.
- As with any appliance, close supervision is necessary when used by children.
- Do not operate the microwave oven if it has a damaged cord or plug, if it is not working properly, or if it has been damaged or dropped.
- The microwave oven should be serviced only by qualified service personnel. Call an authorized service company for examination, repair or adjustment.
- Do not cover or block any openings on the microwave oven.
- Do not store the microwave oven outdoors. Do not use the microwave oven near water – for example, near a kitchen sink, in a wet basement, or near a swimming pool, and the like.
- Do not immerse cord or plug in water.
- Keep cord away from heated surfaces.
- Do not let cord hang over edge of table or counter.
- See door surface cleaning instructions in the "Microwave Oven Care" section.

SAVE THESE INSTRUCTIONS

continued on next page

IMPORTANT SAFETY INSTRUCTIONS

- Do not operate any heating or cooking appliance beneath the microwave oven.
- Do not mount microwave oven over or near any portion of a heating or cooking appliance.
- Do not mount over a sink.
- Do not store anything directly on top of the microwave oven surface when the microwave oven is in operation.
- To reduce the risk of fire in the oven cavity:
 - Do not overcook food. Carefully attend the microwave oven if paper, plastic, or other combustible materials are placed inside the oven to facilitate cooking.
 - Remove wire twist-ties from paper or plastic bags before placing bag in oven.
 - If materials inside the oven should ignite, keep oven door closed, turn oven off, and disconnect the power cord, or shut off power at the fuse or circuit breaker panel.
 - Do not use the cavity for storage purposes. Do not leave paper products, cooking utensils, or food in the cavity when not in use.

SAVE THESE INSTRUCTIONS

PRECAUTIONS TO AVOID POSSIBLE EXPOSURE TO EXCESSIVE MICROWAVE ENERGY

- (a)** Do not attempt to operate this oven with the door open since open-door operation can result in harmful exposure to microwave energy. It is important not to defeat or tamper with the safety interlocks.
- (b)** Do not place any object between the oven front face and the door or allow soil or cleaner residue to accumulate on sealing surfaces.
- (c)** Do not operate the oven if it is damaged. It is particularly important that the oven door close properly and that there is no damage to the:
 - (1) door (bent),
 - (2) hinges and latches (broken or loosened),
 - (3) door seals and sealing surfaces.
- (d)** The oven should not be adjusted or repaired by anyone except properly qualified service personnel.

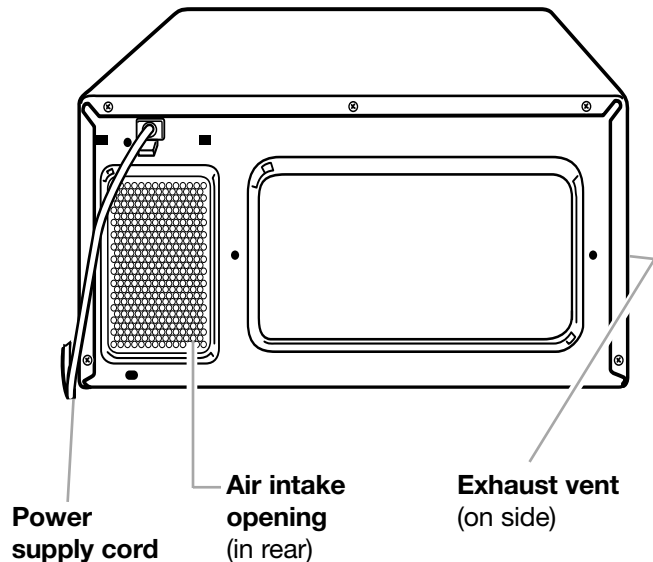
INSTALLATION INSTRUCTIONS

Before you begin operating the oven, carefully read the following instructions.

1. Empty the microwave oven and clean inside it with a soft, damp cloth. Check for damage such as a door that isn't lined up correctly, damage around the door, or dents inside the oven or on the exterior. If there is any damage, do not operate the oven until a designated service technician has checked it and made any needed repairs.
2. Put the oven on a cart, counter, table, or shelf that is strong enough to hold the oven and the food and utensils you put in it. (The control side of the unit is the heavy side. Use care when handling the oven.) The weight of the oven is about 26 lbs (12 kg). The microwave oven should be at a temperature above 50°F (10°C) for proper operation.

NOTE: You can build your microwave oven into a wall or cabinet by using one of the trim kits listed in the "Built-in kits" section.

NOTE: Do not block the exhaust vents or air intake openings. Allow a few inches of space at the back and side of the oven where the exhaust vents are located. Blocking the exhaust vents could cause damage to the oven and poor cooking results. Make sure the microwave oven legs are in place to ensure proper airflow. If vents are blocked, a sensitive thermal safety device automatically turns the oven off. The oven should work properly once it has cooled.



ELECTRICAL REQUIREMENTS

Observe all governing codes and ordinances. A 120 Volt, 60 Hz, AC only, 15-amp fused electrical supply is required. (A time-delay fuse is recommended.) It is recommended that a separate circuit serving only this appliance be provided.

⚠️ WARNING



Fire Hazard

Do not install oven next to or over a heat source without a UL approved (CSA approved in Canada) trim kit.

Doing so can result in death, fire, or electrical shock.

⚠️ WARNING



Electrical Shock Hazard

Plug into a grounded 3 prong outlet.

Do not remove ground prong.

Do not use an adapter.

Do not use an extension cord.

Failure to follow these instructions can result in death, fire, or electrical shock.

ELECTRICAL REQUIREMENTS (CONT.)

GROUNDING INSTRUCTIONS

- **For all cord connected appliances:**

The microwave oven must be grounded. In the event of an electrical short circuit, grounding reduces the risk of electric shock by providing an escape wire for the electric current. The microwave oven is equipped with a cord having a grounding wire with a grounding plug. The plug must be plugged into an outlet that is properly installed and grounded.

WARNING: Improper use of the grounding plug can result in a risk of electric shock.

Consult a qualified electrician or serviceman if the grounding instructions are not completely understood, or if doubt exists as to whether the microwave oven is properly grounded.

Do not use an extension cord. If the power supply cord is too short, have a qualified electrician or serviceman install an outlet near the microwave oven.

- **For a permanently connected appliance:**

The microwave oven must be connected to a grounded, metallic, permanent wiring system, or an equipment grounding conductor should be run with the circuit conductors and connected to the equipment grounding terminal or lead on the microwave oven.

SAVE THESE INSTRUCTIONS

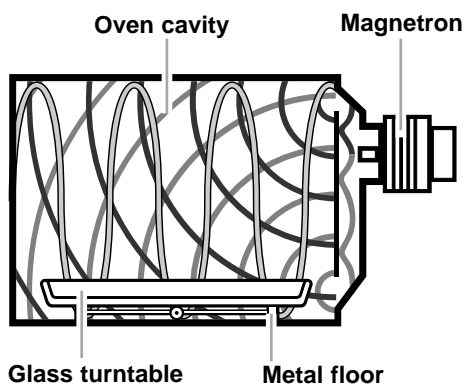
GETTING TO KNOW YOUR MICROWAVE OVEN

This section discusses the concepts behind microwave cooking. It also shows you the basics you need to know to operate your microwave oven. Please read this information before you use your oven.

HOW YOUR MICROWAVE OVEN WORKS

Microwave energy is not hot. It causes food to make its own heat, and it's this heat that cooks the food. Microwaves are like TV waves, radio waves, or light waves. You cannot see them, but you can see what they do.

A magnetron in the microwave oven produces microwaves. The microwaves move into the oven, where they contact food as it turns on the turntable. Your oven has a MAXWAVE™ multiple microwave distribution system. Microwave energy is released from two locations, giving you better, more even cooking.



The glass turntable of your microwave oven lets microwaves pass through. Then they bounce off a metal floor, back through the glass turntable, and are absorbed by the food.

Microwaves pass through most glass, paper, and plastics without heating them so food absorbs the energy. Microwaves bounce off metal containers so food does not absorb the energy.

RADIO INTERFERENCE

Using your microwave oven may cause interference to your radio, TV, or similar equipment. When there is interference, you can reduce it or remove it by:

- Cleaning the door and sealing surfaces of the oven.
- Adjusting the receiving antenna of the radio or television.
- Moving the receiver away from the microwave oven.
- Plugging the microwave oven into a different outlet so that the microwave oven and receiver are on different branch circuits.

FOR THE BEST COOKING RESULTS

- Always cook food for the shortest cooking time recommended. Check to see how the food is cooking. If needed, touch ADD MINUTE while the oven is operating or after the cooking cycle is over (see the "Using ADD MINUTE" section).
- Stir, turn over, or rearrange the food being cooked about halfway through the cooking time for all recipes. This will help make sure the food is evenly cooked.
- If you do not have a cover for a dish, use wax paper, or microwave-approved paper towels or plastic wrap. Remember to turn back a corner of the plastic wrap to vent steam during cooking.

TESTING YOUR DINNERWARE OR COOKWARE

Test dinnerware or cookware before using. To test a dish for safe use, put it into the oven with 1 cup (250 mL) of water beside it. Cook at 100% cook power for one minute. If the dish gets hot and water stays cool, do not use it. Some dishes (melamine, some ceramic dinnerware, etc.) absorb microwave energy, slowing cooking times. Cooking in metal containers not designed for microwave use could damage the oven, as could containers with hidden metal (twist-ties, foil lining, staples, metallic glaze or trim).

OPERATING TIPS

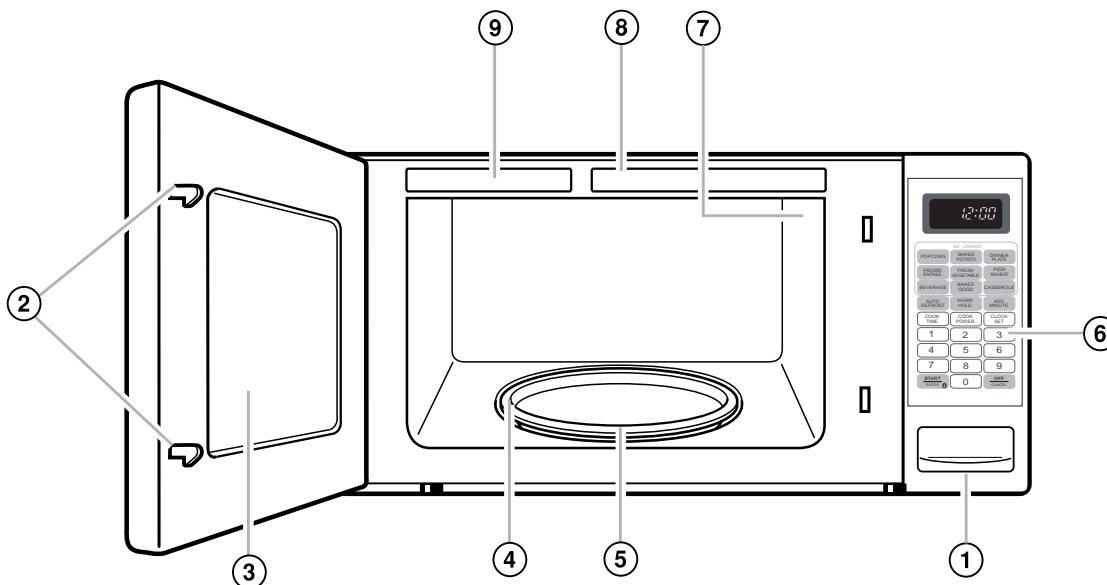
- Never lean on the door or allow a child to swing on it when the door is open.
- Use oven mitts or pot holders when removing containers from oven.
- Do not use newspaper or other printed paper in the oven.
- Do not dry flowers, fruit, herbs, wood, paper, gourds, or clothes in the oven.
- Do not start a microwave oven when it is empty. Product life may be shortened. If you practice programming the oven, put a container of water in the oven. It is normal for the oven door to look wavy after the oven has been running for a while.
- Do not try to melt paraffin wax in the oven. Paraffin wax will not melt in a microwave oven because it allows microwaves to pass through it.
- Do not operate the microwave oven unless the glass turntable is securely in place and can rotate freely. The turntable can rotate in either direction. Make sure the turntable is correct-side up in the oven. Handle your turntable with care when removing it from the oven to avoid possibly breaking it. If your turntable cracks or breaks, contact your dealer for a replacement.
- When you use a browning dish, the browning dish bottom must be at least $\frac{3}{16}$ in. (5 mm) above the turntable. Follow the directions supplied with the browning dish.
- Steam buildup in whole eggs may cause them to burst and damage the oven. Cover poached eggs and allow a standing time.
- Heated liquids can splash out during and after heating. Use of a wooden stir stick placed in the cup or bowl during heating may help to avoid this.
- Microwaves may not reach the center of a roast. The heat spreads to the center from the outer, cooked areas just as in regular oven cooking. This is one of the reasons for letting some foods (for example, roasts or baked potatoes) stand for a while after cooking, or for stirring some foods during the cooking time.
- Do not deep fry in the oven. Microwavable utensils are not suitable and it is difficult to maintain appropriate deep-frying temperatures.
- Do not overcook potatoes. At the end of the recommended cooking time, potatoes should be slightly firm because they will continue cooking during standing time. After microwaving, let potatoes stand for 5 minutes. They will finish cooking while standing.

ELECTRICAL CONNECTION

If your electric power line or outlet voltage is less than 110 volts, cooking times may be longer. Have a qualified electrician check your electrical system.

MICROWAVE OVEN FEATURES

This manual may cover several different models. The model (or appliance) you have purchased may have some or all of the features shown. The appearance of your particular model may differ slightly from the illustrations in this manual.



Your microwave oven is designed to make your cooking experience enjoyable and productive. To help get you up and running quickly, the following is a list of the oven's basic features:

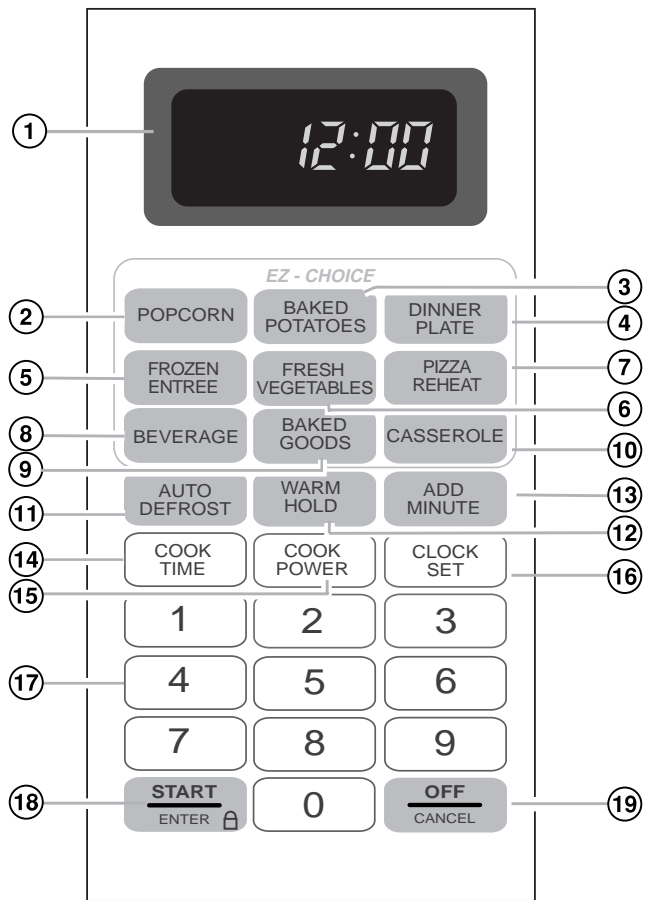
- 1. One-Touch Door Open Button.** Push this button to open the door.
- 2. Door Safety Lock System.** The oven will not work unless the door is securely closed.
- 3. Window with Metal Shield.** The shield prevents microwaves from escaping. It is designed as a screen to allow you to view food as it cooks.
- 4. Glass Turntable.** This turntable turns food as it cooks for more even cooking. It must be in the oven during operation for best results. The turntable is sunken into the cavity floor to give you more cooking space and better cooking results.

- 5. Removable Turntable Support** (under turntable).
- 6. Control Panel.** Touch pads on this panel to perform all functions.
- 7. Light** (not shown). The light automatically turns on when the door is opened or when the oven is running.
- 8. Cooking Guide Label.**
- 9. Model and Serial Number Plate.**

CONTROL PANEL FEATURES

Your microwave oven control panel lets you choose the cooking function you want quickly and easily. All you have to do is touch the necessary Command pad. The following is a list of all the Command and Number pads located on the control panel.

- 1. Display.** This display includes a clock to tell you the time of day, cooking time settings, and cooking functions you chose.
- 2. POPCORN.** Touch this pad to pop popcorn, without entering a cook power or time.
- 3. BAKED POTATOES.** Touch this pad to bake potatoes, without entering a cook power or time.
- 4. DINNER PLATE.** Touch this pad to reheat a dinner plate of refrigerated food, without entering a cook power or time.
- 5. FROZEN ENTREE.** Touch this pad to heat a frozen entree, without entering a cook power or time.
- 6. FRESH VEGETABLES.** Touch this pad to cook fresh vegetables, without entering a cook power or time.
- 7. PIZZA REHEAT.** Touch this pad to reheat slices of pizza, without entering a cook power or time.
- 8. BEVERAGE.** Touch this pad to reheat a beverage, without entering a cook power or time.
- 9. BAKED GOODS.** Touch this pad to heat baked goods, without entering a cook power or time.
- 10. CASSEROLE.** Touch this pad to heat a casserole, without entering a cook power or time.
- 11. AUTO DEFROST.** Touch this pad to thaw frozen food by weight.
- 12. WARM HOLD.** Touch this pad to keep hot, cooked foods warm in your microwave oven. You can use WARM HOLD by itself, or to automatically follow a cooking cycle.
- 13. ADD MINUTE.** Touch this pad to cook for 1 minute at 100% cook power.
- 14. COOK TIME.** Touch this pad followed by Number pads to set a cooking time.
- 15. COOK POWER.** Touch this pad, after the cook time has been set, followed by a Number pad to set the amount of microwave energy released to cook the food. The higher the number, the higher the power or faster the “cooking speed.”



- 16. CLOCK SET.** Touch this pad to enter the correct time of day.
- 17. Number pads.** Touch Number pads to enter cooking times, cook powers, quantities, or weights.
- 18. START/ENTER.** Touch this pad to start a function you have set.
- 19. OFF/CANCEL.** Touch this pad once to erase an incorrect command or twice to cancel a program during cooking. This pad will not erase the time of day.

NOTE: If you try to enter unacceptable instructions, “Err” will appear on the display. Touch OFF/CANCEL and re-enter the instructions.

Audible signals

Your microwave oven comes with audible signals that can guide you when setting and using your oven:

- A programming tone will sound each time you touch a pad.
- Three tones signal the end of a cooking cycle.

NOTE: The tones on your oven can be turned off. To do so, see “Using OPTIONS.”

CONTROL PANEL FEATURES (CONT.)

Interrupting cooking

You can stop the oven during a cycle by opening the door. The oven stops heating and the fan stops, but the light stays on. To restart cooking, close the door and Touch START/ENTER.

If you do not want to continue cooking:

- Close the door and the light goes off.
- OR
- Touch OFF/CANCEL.

NOTE: Before setting a function, touch OFF/CANCEL to make sure no other function is on.

Using the child lock

The Child Lock locks the control panel pads to prevent unintended use of the microwave.

To lock the control panel:

Touch and hold START/ENTER until “L” appears on display (approximately 4 seconds).
(Two tones will sound.)

To unlock the control panel:

Touch and hold START/ENTER until “L” appears on display. (One tone will sound.)

BUILT-IN KITS (NOT FOR INSTALLATION OVER A HEAT SOURCE)

⚠ WARNING



Fire Hazard

Do not install oven next to or over a heat source without a UL approved (CSA approved in Canada) trim kit.

Doing so can result in death, fire, or electrical shock.

You can build your microwave oven into a wall or cabinet by using one of the following trim kits. These kits are available from your dealer. If your dealer does not stock the kit you can order it, by kit part number, by calling **1-800-461-5681** and following the instructions and telephone prompts you hear.

SIZE	COLOR	KIT MODEL NO.
24" (61 cm)	Black	MK1074XHB
24" (61 cm)	White	MK1074XHQ

NOTE: You can also fasten your microwave oven under a cabinet by using a special kit. You can get Kit No. 4359914 from your dealer. If your dealer does not stock the kit, you can order it, by kit part number, by calling **1-800-461-5681** and following the instructions and telephone prompts you hear.

SETTING THE CLOCK

When you first plug in your microwave oven, the display shows “0”. If the electric power ever goes off, the display will again show “0” when the power comes back on.

NOTE: You can cook without setting the clock, but the display will not show the correct time of day after the cooking is completed.

1. Touch CLOCK SET.
2. Touch number pads for time of day.
For example: For 7:00, touch “7 0 0”
3. Touch CLOCK SET.

MICROWAVE OVEN USE

This section gives you instructions for operating each function. Please read these instructions carefully.

COOKING AT HIGH COOK POWER

1. Put the food into the oven and close the door.
2. Touch COOK TIME.
Display will show “: 0.”
3. Touch number pads for desired time.
For example, for 10 minutes touch “1 0 0 0”
4. Touch START/ENTER.
5. At the end of the cooking time:
Display will show “END” and 3 tones will sound.

COOKING AT DIFFERENT COOK POWERS

1. Put your food into the oven and close the door.
2. Touch COOK TIME.
Display will show “: 0.”
3. Touch number pads for desired time.
4. Touch COOK POWER.
5. Select number pad for desired power setting.
(See the following chart.)
6. Touch START/ENTER.
7. At the end of the cooking time:
Display will show “END” and 3 tones will sound.

For best results, some recipes call for different cook powers. The lower the cook power, the slower the cooking. Each level stands for a different percentage of cook power. Many microwave cookbook recipes tell you by number, percent, or name which cook power to use.

The following chart gives the percentage of cook power each level stands for, and the cook power name usually used. It also tells you when to use each cook power. Follow recipe or food package instructions if available.

NOTE: Refer to a reliable cookbook for cooking times.

COOK POWER	NAME	WHEN TO USE IT
P100-HI = 100% of full power (automatic)	High	<ul style="list-style-type: none"> ● Quick heating many convenience foods and foods with high water content, such as soups, beverages and most vegetables
P90 = 90% of full power		<ul style="list-style-type: none"> ● Cooking small tender pieces of meat, ground meat, poultry pieces, and fish fillets ● Heating cream soups
P80-RHT = 80% of full power		<ul style="list-style-type: none"> ● Heating rice, pasta, or stirrable casseroles ● Cooking and heating foods that need a cook power lower than high (for example, whole fish and meat loaf)
P70 = 70% of full power	Medium-High, Reheat	<ul style="list-style-type: none"> ● Reheating a single serving of food
P60 = 60% of full power		<ul style="list-style-type: none"> ● Cooking sensitive foods such as cheese and egg dishes, pudding, and custards ● Cooking non-stirrable casseroles, such as lasagna

COOK POWER	NAME	WHEN TO USE IT
P50 = 50% of full power	Medium	<ul style="list-style-type: none"> ● Cooking ham, whole poultry, and pot roasts ● Simmering stews
P40 = 40% of full power		<ul style="list-style-type: none"> ● Melting chocolate ● Heating bread, rolls and pastries
P30-DEF = 30% of full power	Medium-Low, Defrost	<ul style="list-style-type: none"> ● Defrosting foods, such as bread, fish, meats, poultry, and precooked foods
P20 = 20% of full power		<ul style="list-style-type: none"> ● Softening butter, cheese, and ice cream
P10-WRM = 10% of full power	Low	<ul style="list-style-type: none"> ● Taking chill out of fruit

NOTE: Once cook time has been entered, you can also use the COOK POWER pad as a second Minute Timer by entering “0” for the cook power. The oven will count down the cooking time you set without cooking.

COOKING WITH MORE THAN ONE COOK CYCLE

For best results, some recipes call for one cook power for a certain length of time, and another cook power for another length of time. Your oven can be set to change from one power level to another automatically, for up to 3 cycles plus a defrost cycle.

1. Put your food into the oven and close the door.
2. Touch number pads to set the cooking time for the first cycle.
3. Touch number pad to set the cook power for the first cycle.
4. Repeat Steps 2 and 3 to set the cooking time and cook power for each additional cycle.
5. Touch START/ENTER.
After the first cycle is complete, 2 tones sound and the next cycle(s) will count down.
6. At the end of the cooking time:
Display will show “END” and 3 tones will sound.

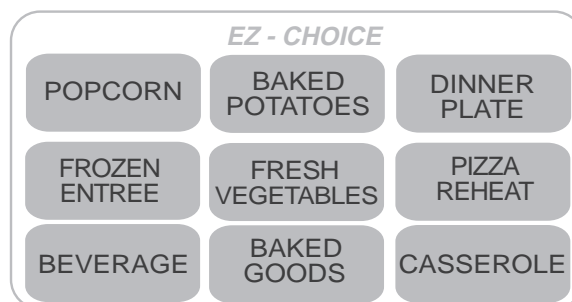
NOTE: You can set your chosen cook functions in any order. However, when you use AUTO DEFROST, it must be the first cycle.

Using EZ-CHOICE™ FEATURE

You can cook common microwave oven-prepared foods just by choosing a category and quantity. The EZ-CHOICE feature has preset times and cook powers for nine categories.

To use EZ-CHOICE feature, follow the steps below:

1. Touch the pad for the food you want.



2. Touch the pad again if you want a different serving size. (See “EZ-CHOICE cooking feature chart” for serving sizes available.)
3. The oven starts heating in a few seconds.

EZ-CHOICE™ COOKING FEATURE CHART

PAD	TOUCH PAD	SERVING SIZE	DIRECTIONS
Popcorn	once twice 3 times	3.5 oz (99 g) 3.0 oz (85 g) 1.75 oz (50 g)	<ul style="list-style-type: none"> ● Follow package directions. ● Use a popcorn package which is made especially for microwave cooking. ● Do not try to pop unpopped kernels. ● Pop only 1 package at a time. ● Do not leave the microwave oven unattended while popping popcorn. ● If you are using a microwave popcorn popper, follow manufacturer's instructions. ● How well your popcorn cooks will depend on the brand of popcorn and how much fat it has in it. Try several brands to decide which pops the best. For best results, use fresh bags of popcorn.
Baked potatoes	once twice 3 times 4 times	1 (10 to 13 oz [283 to 369 g]) 2 (16 to 20 oz [454 to 567 g]) 3 (24 to 30 oz [680 to 850 g]) 4 (32 to 40 oz [907 to 1134 g])	<ul style="list-style-type: none"> ● Pierce potato several times with fork. ● Place in center of the oven on paper towel. ● After cooking, let stand for 5 minutes. ● No cover.
Dinner plate (refrigerated)	once twice	1 serving 2 servings	<ul style="list-style-type: none"> ● Arrange food on microwavable plate. Place meaty portions and bulky vegetables to outside of plate. ● Cover with plastic wrap. ● Vent corner. ● After cooking, let stand for 2 minutes.
Frozen entree	once	10 oz (283 g)	<ul style="list-style-type: none"> ● Follow package directions. ● Let stand 2-3 minutes after cooking.
Fresh vegetables	once twice 3 times 4 times	1 cup (250 mL) 2 cups (500 mL) 3 cups (750 mL) 4 cups (1 L)	<ul style="list-style-type: none"> ● Moisten and place in microwavable container. Cover with plastic wrap. 1 cup (250 mL) – Add 2 tablespoons water 2 cups (500 mL) – Add 2 tablespoons water 3 cups (750 mL) – Add ¼ cup water 4 cups (1 L) – Add ¼ cup water ● Stir and let stand, covered, 2-3 minutes after cooking.

EZ-CHOICE™ COOKING FEATURE CHART (CONT.)

PAD	TOUCH PAD	SERVING SIZE	DIRECTIONS
Pizza reheat (refrigerated)	once twice	1 slice (5 oz [142 g]) 2 slices (10 oz [283 g])	<ul style="list-style-type: none"> ● Place in the center of the microwave oven on a paper towel.
Beverage	once twice	1 cup (250 mL) 2 cups (500 mL)	<ul style="list-style-type: none"> ● Use a mug or microwavable cup. ● Stir after reheating.
Baked goods	once twice 3 times 4 times	1 (2 oz [57 g]) 2 (4 oz [113 g]) 3 (6 oz [170 g]) 4 (8 oz [227 g])	<ul style="list-style-type: none"> ● Place in the center of the oven on a paper towel. ● If baked good size is more than 3 oz (85 g), enter serving size as "2."
Casserole (refrigerated)	once twice 3 times 4 times	1 cup (250 mL) 2 cups (500 mL) 3 cups (750 mL) 4 cups (1 L)	<ul style="list-style-type: none"> ● Place in microwavable container. Cover with plastic wrap. ● At the end of cooking, stir if possible, and let stand 2-3 minutes.

NOTE: If you touch an EZ-CHOICE feature pad more than the times shown in this chart, the display returns to the first serving size.

USING AUTO DEFROST

You can defrost food by choosing a category and setting a weight. AUTO DEFROST has preset times and cook powers for 3 categories: Meat, Poultry, and Fish.

1. Touch AUTO DEFROST.
Once for Meat (DEF 1 will display), twice for Poultry (DEF 2 will display), three times for Fish (DEF 3 will display).
2. Touch number pads for desired weight (from .1 to 6.0 lbs [45 g to 2.7 kg]).
3. Touch START/ENTER.
4. During defrosting, 5 tones will sound. These tones tell you when to check, turn over, separate, or rearrange the food. To start the oven again, touch START/ENTER.
5. At the end of the defrosting time:
Display will show "END" and 3 tones will sound.

NOTES:

- If you enter a weight higher than the highest weight allowed for your food setting, one long tone will sound and "Err" will appear on the display when you touch START/ENTER.
- If you touch the AUTO DEFROST pad 4 times, the display returns to the Meat setting.
- See the "Auto defrost chart" later in this section for defrosting directions for each food.
- To defrost items not listed in the "Auto defrost chart," use 30% cook power. Refer to a reliable cookbook for defrosting information.
- Twice during defrosting, 5 tones will sound. These tones tell you when to check, turn over, separate, or rearrange the food. See the "Auto defrost chart" later in this section for instructions on what to do when the tones sound. To start the oven again, touch START/ENTER.

Weight conversion chart

You are probably used to food weights as being in pounds and ounces that are fractions of a pound (for example, 4 ounces equals $\frac{1}{4}$ pound [113.4 g]). If the weight on the food package is in fractions of a pound, you can use the following chart to convert the weight to decimals.

Equivalent Weight			
OUNCES	GRAMS	DECIMAL WEIGHT	
1.6	45.4	.10	
3.2	90.7	.20	
4.0	113.4	.25	One-Quarter Pound
4.8	136.1	.30	
6.4	181.4	.40	
8.0	226.8	.50	One-Half Pound
9.6	272.2	.60	
11.2	317.5	.70	
12.0	340.2	.75	Three-Quarters Pound
12.8	362.9	.80	
14.4	408.2	.90	
16.0	453.6	1.00	One Pound

DEFROSTING TIPS

- Before starting, make sure you have removed any of the metal twist-ties which often come with frozen food bags, and replace them with strings or elastic bands.
- Open containers such as cartons before they are placed in the oven.
- Always slit or pierce plastic pouches or packaging.
- If food is foil wrapped, remove foil and place it in a suitable container.
- Slit the skins, if any, of frozen food such as sausage.
- Bend plastic pouches of food to ensure even defrosting.
- Always underestimate defrosting time. If defrosted food is still icy in the center, return it to the microwave oven for more defrosting.
- The length of defrosting time varies according to how solidly the food is frozen.
- The shape of the package affects how quickly food will defrost. Shallow packages will defrost more quickly than a deep block.
- As food begins to defrost, separate the pieces. Separated pieces defrost more evenly.
- Use small pieces of aluminum foil to shield parts of food such as chicken wings, leg tips, fish tails, or areas that start to get warm. Make sure the foil does not touch the sides, top, or bottom of the oven. The foil can damage the oven lining.
- For better results, let food stand after defrosting. (For more information on standing time, see “Microwave cooking tips” in the “Cooking Guide” section.)
- Turn food over during defrosting or standing time. Break apart and remove food as required.

USING ADD MINUTE

ADD MINUTE lets you cook food for 1 minute at 100% cook power.

NOTES:

- Each time you touch ADD MINUTE, it will add 1 minute.
- You can enter ADD MINUTE only after closing the door or after touching OFF/CANCEL.
- You can only use ADD MINUTE to start the oven if no other cooking function is running.

1. Make sure your food is in the oven.
2. Touch ADD MINUTE.
3. At the end of the cooking time:
Display will show “END” and 3 tones will sound.

USING WARM HOLD

!WARNING

Food Poisoning Hazard

Do not let food sit in oven more than one hour before or after cooking.

Doing so can result in food poisoning or sickness.

Warm Hold keeps hot, cooked food warm in your microwave oven.

NOTES:

- Food cooked should be covered during Warm Hold.
- Pastry items (pies, turnovers, etc.) should be uncovered during Warm Hold.
- Complete meals kept warm on a dinner plate should be covered during Warm Hold.
- Do not use more than 1 complete Warm Hold cycle. The quality of some foods will suffer with extended time.

1. Put hot, cooked food into the oven and close the door.
2. Touch WARM HOLD.
“HOLD” flashes until you touch START/ENTER.
3. Touch START/ENTER.
Display will show “HOLD.”
4. To cancel Warm Hold, open door or touch OFF/CANCEL.

COOKING GUIDE

MICROWAVE COOKING TIPS

Amount of food

- If you increase or decrease the amount of food you prepare, the time it takes to cook that food will also change. For example, if you double a recipe, add a little more than half the original cooking time. Check for doneness and, if necessary, add more time in small increments.

Starting temperature of food

- The lower the temperature of the food being put into the microwave oven, the longer it takes to cook. Food at room temperature will be reheated more quickly than food at refrigerator temperature.

Composition of food

- Food with a lot of fat and sugar will be heated faster than food containing a lot of water. Fat and sugar will also reach a higher temperature than water in the cooking process.
- The denser the food, the longer it takes to heat. “Very dense” food such as meat takes longer to reheat than lighter, more porous food such as sponge cakes.

Size and shape

- Smaller pieces of food will cook faster than larger pieces. Also, same-shaped pieces cook more evenly than different-shaped pieces.
- With foods that have different thicknesses, the thinner parts will cook faster than the thicker parts. Place the thinner parts of chicken wings and legs in the center of the dish.

Stirring, turning foods

- Stirring and turning foods spreads heat quickly to the center of the dish and avoids overcooking at the outer edges of the food.

Covering food

Cover food to:

- Reduce splattering
- Shorten cooking times
- Keep food moist

You can use any covering that lets microwaves pass through. See “Getting to Know Your Microwave Oven” for materials that microwaves will pass through. If you are using the Sensor function, be sure to vent.

Releasing pressure in foods

- Several foods (for example: baked potatoes, sausages, egg yolks, and some fruits) are tightly covered by a skin or membrane. Steam can build up under the membrane during cooking, causing the food to burst. To relieve the pressure and to prevent bursting, pierce these foods before cooking with a fork, cocktail pick, or toothpick.

Using standing time

- Always allow food to stand after cooking. Standing time after defrosting and cooking allows the temperature to evenly spread throughout the food, improving the cooking results.
- The length of the standing time depends on how much food you are cooking and how dense it is. Sometimes it can be as short as the time it takes you to remove the food from the oven and take it to the serving table. However, with larger, denser food, the standing time may be as long as 10 minutes.

Arranging food

For best results, place food evenly on the plate. You can do this in several ways:

- If you are cooking several items of the same food, such as baked potatoes, place them in a ring pattern for uniform cooking.
- When cooking foods of uneven shapes or thickness, such as chicken breasts, place the smaller or thinner area of the food toward the center of the dish where it will be heated last.
- Layer thin slices of meat on top of each other.
- When you cook or reheat whole fish, score the skin – this prevents cracking.
- Do not let food or a container touch the top or sides of the oven. This will prevent possible arcing.

MICROWAVE OVEN CARE

MICROWAVE COOKING TIPS (CONT.)

Using aluminum foil

Metal containers should not be used in a microwave oven. There are, however, some exceptions. If you have purchased food which is prepackaged in an aluminum foil container, refer to the instructions on the package. When using aluminum foil containers, cooking times may be longer because microwaves will penetrate only the top of the food.

If you use aluminum containers without package instructions, follow these guidelines:

- Place the container in a glass bowl and add some water so that it covers the bottom of the container, not more than $\frac{1}{4}$ in. (.64 cm) high. This ensures even heating of the container bottom.
- Always remove the lid to avoid damage to the oven.
- Use only undamaged containers.
- Do not use containers taller than $\frac{3}{4}$ in. (1.9 cm).
- Container must be at least half filled.
- To avoid arcing, there must be a minimum $\frac{1}{4}$ in. (.64 cm) between the aluminum container and the walls of the oven and also between two aluminum containers.
- Always place the container on the turntable.
- Reheating food in aluminum foil containers usually takes up to double the time compared to reheating in plastic, glass, china, or paper containers. The time when food is ready will vary depending upon the type of container you use.
- Let food stand for 2 to 3 minutes after heating so that heat is spread evenly throughout container.

Cooking you should not do in your microwave oven

- Do not do canning of foods in the oven. Closed glass jars may explode, resulting in damage to the oven.
- Do not use the microwave oven to sterilize objects (baby bottles, etc.). It is difficult to keep the oven at the high temperature needed for sterilization.

To make sure your microwave oven looks good and works well for a long time, you should maintain it properly. For proper care, please follow these instructions carefully.

For interior surfaces: Wash often with warm, sudsy water and a sponge or soft cloth. Use only mild, non-abrasive soaps or a mild detergent. Be sure to keep the areas clean where the door and oven frame touch when closed. Wipe well with clean water. Over time, stains can occur on the surfaces as the result of food particles spattering during cooking. This is normal.

For stubborn soil, boil a cup (250 mL) of water in the oven for 2 or 3 minutes. Steam will soften the soil. To get rid of odors inside the oven, boil a cup (250 mL) of water with lemon juice or vinegar.

For exterior surfaces and control panel: Use a soft cloth with spray glass cleaner. Apply the spray glass cleaner to the soft cloth; do not spray directly on the oven.

NOTE: Abrasive cleansers, steel-wool pads, gritty wash cloths, some paper towels, etc., can damage the control panel and the interior and exterior oven surfaces.

To clean turntable and turntable support, wash in mild, sudsy water; for heavily soiled areas use a mild cleanser and scouring sponge. The turntable and turntable support are dishwasher-safe.

QUESTIONS AND ANSWERS

QUESTIONS	ANSWERS
Can I operate my microwave oven without the turntable or turn the turntable over to hold a large dish?	No. If you remove or turn over the turntable, you will get poor cooking results. Dishes used in your oven must fit on the turntable.
Can I use a rack in my microwave oven so that I may reheat or cook on two levels at a time?	You can use a rack only if the rack is supplied with your microwave oven. If you use a rack not supplied with the microwave oven, you can get poor cooking performance and/or arcing.
Can I use either metal or aluminum pans in my microwave oven?	You can use aluminum foil for shielding (use small, flat pieces), small skewers, and shallow foil trays (if tray is not taller than $\frac{3}{4}$ in. [1.9 cm] deep and half filled with food to absorb microwave energy). Never allow metal to touch walls or door.
Is it normal for the turntable to turn in either direction?	Yes. The turntable rotates clockwise or counter-clockwise, depending on the rotation of the motor when the cooking cycle begins.
Sometimes the door of my microwave oven appears wavy. Is this normal?	This appearance is normal and does not affect the operation of your oven.
What are the humming noises that I hear when my microwave oven is operating?	You may hear the sound of the transformer when the magnetron tube cycles on.
Why does the dish become hot when I microwave food in it? I thought that this should not happen.	As the food becomes hot it will conduct the heat to the dish. Be prepared to use hot pads to remove food after cooking.
What does “standing time” mean?	“Standing time” means that food should be removed from the oven and covered for additional time to allow it to finish cooking. This frees the oven for other cooking.
Why does steam come out of the air exhaust vent?	Steam is normally produced during cooking. The microwave oven has been designed to vent this steam out the vents.
Can I pop popcorn in my microwave oven? How do I get the best results?	Yes. Pop packaged microwave popcorn following manufacturer’s guidelines or use the preset POPCORN pad. Do not use regular paper bags. Use the “listening test” by stopping the oven as soon as the popping slows to a “pop” every 1 or 2 seconds. Do not repop unpopped kernels. Do not pop popcorn in glass cookware.

TROUBLESHOOTING

Most cooking problems often are caused by little things you can find and fix without tools of any kind. Check the lists below before calling for assistance or service. If you still need help, see the “Assistance or Service” section.

IF MICROWAVE DOES NOT OPERATE, FIRST CHECK THE FOLLOWING:

- Is the microwave oven plugged into a grounded 3 prong outlet?
- Have you blown a household fuse or tripped a circuit breaker?
- Has the electric company experienced a power failure?

OTHER POSSIBLE PROBLEMS AND THEIR CAUSES:

PROBLEM	CAUSE
The microwave oven will not run.	<ul style="list-style-type: none">● The door is not firmly closed and latched.● You did not touch START/ENTER.● You did not follow directions exactly.● An operation that was programmed earlier is still running.● You have not set the time after touching COOK TIME.
Microwave cooking times seem too long.	<ul style="list-style-type: none">● The electric supply to your home or wall outlets is low or lower than normal. Your electric company can tell you if the line voltage is low. Your electrician or service technician can tell you if the outlet voltage is low.● The cook power is not at the recommended setting.● Larger amounts of food need longer cooking times.
The turntable will not turn.	<ul style="list-style-type: none">● The turntable is not correctly in place. Make sure the turntable is correct-side up and is sitting securely on center shaft.● The support is not operating correctly. Remove turntable, check that the turntable support is properly in place, and restart oven. If turntable support does not move, call a designated service technician for repair. Cooking without the turntable can give you poor results.
The display shows a time counting down but the oven is not cooking.	<ul style="list-style-type: none">● The oven door is not closed completely.
You do not hear the Programming Tone.	<ul style="list-style-type: none">● The command is not correct.
The fan seems to be running slower than usual.	<ul style="list-style-type: none">● The oven has been stored in a cold area. The fan will run slower until the oven warms up to normal room temperature.
The display is showing “ : ”.	<ul style="list-style-type: none">● There has been a power interruption. Reset the clock.

If none of these items are causing your problem, see the “Assistance or Service” section.

ASSISTANCE OR SERVICE

To avoid unnecessary service calls, please check the “Troubleshooting” section. It may save you the cost of a service call. If you still need help, follow the instructions below.

IF YOU NEED ASSISTANCE OR SERVICE

Call the Whirlpool Canada Inc. Customer Interaction Center toll free at **1-800-461-5681**. Our consultants are available to assist you.



When calling:

Please know the purchase date, and the complete model and serial number of your appliance (see the “A Note to You” section). This information will help us better respond to your request.

FOR FURTHER ASSISTANCE

If you need further assistance, you can write to Whirlpool Canada Inc. with any questions or concerns at:

Whirlpool Canada Inc.
Customer Interaction Center
1901 Minnesota Court
Mississauga, Ontario L5N 3A7

Please include a daytime phone number in your correspondence.

WHIRLPOOL CORPORATION MAJOR APPLIANCE WARRANTY

ONE YEAR LIMITED WARRANTY

For one year from the date of purchase, when this major appliance is operated and maintained according to instructions attached to or furnished with the product, Whirlpool Corporation or Whirlpool Canada LP (hereafter "Whirlpool") will pay for FSP® replacement parts and repair labor to correct defects in materials or workmanship. Service must be provided by a Whirlpool designated service company.

ITEMS WHIRLPOOL WILL NOT PAY FOR

1. Service calls to correct the installation of your major appliance, to instruct you how to use your major appliance, to replace or repair house fuses or to correct house wiring or plumbing.
2. Service calls to repair or replace appliance light bulbs, air filters or water filters. Those consumable parts are excluded from warranty coverage.
3. Repairs when your major appliance is used for other than normal, single-family household use.
4. Damage resulting from accident, alteration, misuse, abuse, fire, flood, acts of God, improper installation, installation not in accordance with electrical or plumbing codes, or use of products not approved by Whirlpool.
5. Any food loss due to refrigerator or freezer product failures.
6. Replacement parts or repair labor costs for units operated outside the United States or Canada.
7. Pickup and delivery. This major appliance is designed to be repaired in the home.
8. Repairs to parts or systems resulting from unauthorized modifications made to the appliance.
9. Expenses for travel and transportation for product service in remote locations.
10. The removal and reinstallation of your appliance if it is installed in an inaccessible location or is not installed in accordance with published installation instructions.

DISCLAIMER OF IMPLIED WARRANTIES; LIMITATION OF REMEDIES

CUSTOMER'S SOLE AND EXCLUSIVE REMEDY UNDER THIS LIMITED WARRANTY SHALL BE PRODUCT REPAIR AS PROVIDED HEREIN. IMPLIED WARRANTIES, INCLUDING WARRANTIES OF MERCHANTABILITY OR FITNESS FOR A PARTICULAR PURPOSE, ARE LIMITED TO ONE YEAR OR THE SHORTEST PERIOD ALLOWED BY LAW. WHIRLPOOL SHALL NOT BE LIABLE FOR INCIDENTAL OR CONSEQUENTIAL DAMAGES. SOME STATES AND PROVINCES DO NOT ALLOW THE EXCLUSION OR LIMITATION OF INCIDENTAL OR CONSEQUENTIAL DAMAGES, OR LIMITATIONS ON THE DURATION OF IMPLIED WARRANTIES OF MERCHANTABILITY OR FITNESS, SO THESE EXCLUSIONS OR LIMITATIONS MAY NOT APPLY TO YOU. THIS WARRANTY GIVES YOU SPECIFIC LEGAL RIGHTS AND YOU MAY ALSO HAVE OTHER RIGHTS, WHICH VARY FROM STATE TO STATE OR PROVINCE TO PROVINCE.

Outside the 50 United States and Canada, this warranty does not apply. Contact your authorized Whirlpool dealer to determine if another warranty applies.

If you need service, first see the "Troubleshooting" section of the Use & Care Guide. After checking "Troubleshooting," additional help can be found by checking the "Assistance or Service" section or by calling Whirlpool. In the U.S.A., call **1-800-253-1301**. In Canada, call **1-800-807-6777**.

8/05

Keep this book and your sales slip together for future reference. You must provide proof of purchase or installation date for in-warranty service.

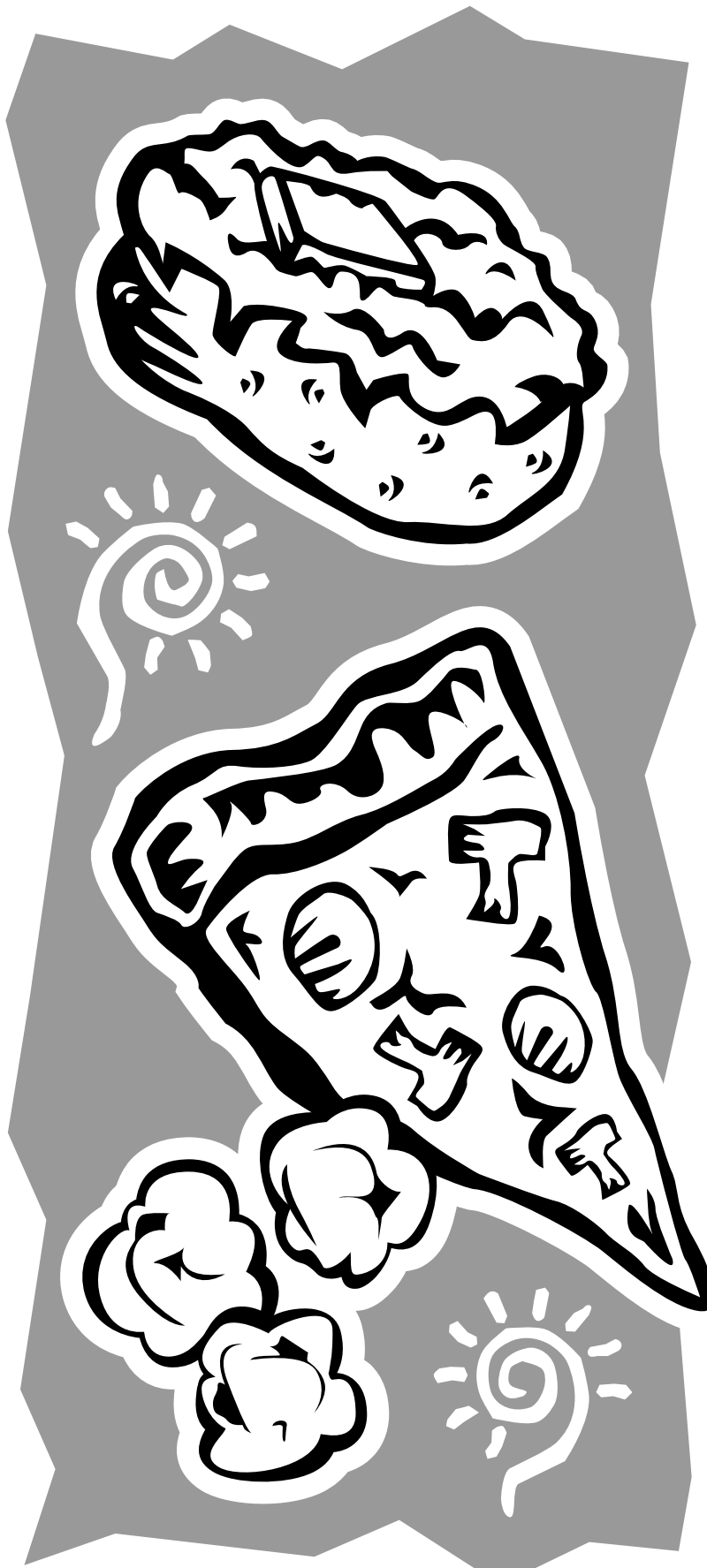
Write down the following information about your major appliance to better help you obtain assistance or service if you ever need it. You will need to know your complete model number and serial number. You can find this information on the model and serial number label located on the product.

Dealer name _____
Address _____
Phone number _____
Model number _____
Serial number _____
Purchase date _____



d'utilisation et d'entretien

Four à micro-ondes



Note à l'utilisateur	2
Sécurité du four à micro-ondes	3
Instructions d'installation.....	5
Familiarisation	7
Fonctionnement du four à micro-ondes.....	7
Radio-interférences.....	7
Pour obtenir les meilleurs résultats de cuisson.....	7
Pour tester le comportement des articles ou ustensiles de cuisine.....	8
Conseils d'utilisation	8
Raccordement au réseau électrique...8	
Caractéristiques du four à micro-ondes.....	9
Caractéristiques du tableau de commande.....	10
Trousse d'encastrement	11
Réglage de l'horloge.....	11
Utilisation du four à micro-ondes	12
Cuisson à la puissance de chauffage maximale.....	12
Cuisson à différentes puissances de chauffage.....	12
Cuisson avec plus de un programme de cuisson.....	13
Utilisation de EZ-CHOICE™ (Choix EZ)	13
Tableau de cuisson de EZ-CHOICE™ (Choix EZ)	14
Utilisation de la fonction AUTO DEFROST.....	15
Conseils pour la décongélation	16
Utilisation de la fonction ADD MINUTE	17
Utilisation de la fonction WARM HOLD	17
Guide de cuisson.....	18
Entretien du four à micro-ondes.....	19
Questions et réponses	20
Dépannage.....	21
Assistance ou service	22
Garantie	24

1-800-461-5681

Contactez le Centre d'interaction avec la clientèle pour vos questions ou commentaires.

MODÈLE YMT4070SK

3828W5A8427/8206138

www.whirlpool.com/canada

NOTE À L'UTILISATEUR

Merci d'avoir acheté un appareil ménager WHIRLPOOL®.

La marque Whirlpool s'est engagée à concevoir des produits de qualité qui donnent un rendement uniforme pour vous rendre la vie plus facile. Pour que ce produit puisse vous procurer de nombreuses années de service sans problème, nous avons préparé ce guide d'utilisation et d'entretien. Il abonde en renseignements sur la façon de bien utiliser et entretenir votre appareil ménager. Veuillez les lire attentivement.

Veuillez aussi remplir et retourner la carte d'inscription qui accompagne le four à micro-ondes. Cette carte nous aidera à vous aviser de tout nouveau renseignement au sujet de votre four à micro-ondes.

Veillez inscrire ces renseignements concernant votre modèle.

Lors de toute demande de service au sujet de cet appareil ménager, vous devrez nous communiquer le numéro de modèle et le numéro de série au complet. On trouve cette information sur la plaque signalétique indiquant le numéro de modèle et le numéro de série (voir le schéma à la section "Familiarisation").

Veillez également noter la date d'achat de l'appareil, ainsi que le nom, l'adresse et le numéro de téléphone du marchand.

Numéro de modèle _____

Numéro de série _____

Date d'achat _____

Nom du marchand _____

Adresse du marchand _____

Téléphone du marchand _____

Veillez conserver ce manuel et la facture d'achat ensemble en lieu sûr pour consultation ultérieure. Il est important que vous conserviez le reçu de vente indiquant la date d'achat. La preuve d'achat vous assurera un service au titre de la garantie.

Notre numéro du Centre d'assistance aux consommateurs, sans frais d'interurbain.

1-800-461-5681

Pour trouver des renseignements détaillés au sujet du produit, l'emplacement du marchand ou du centre de service désigné Whirlpool le plus proche, pour acheter un accessoire ou inscrire votre appareil en ligne, veuillez visiter notre site web www.whirlpool.com/canada



SÉCURITÉ DU FOUR À MICRO-ONDES

Votre sécurité et celle des autres est très importante.

Nous donnons de nombreux messages de sécurité importants dans ce manuel et sur votre appareil ménager. Assurez-vous de toujours lire tous les messages de sécurité et de vous y conformer.



Voici le symbole d'alerte de sécurité.

Ce symbole d'alerte de sécurité vous signale les dangers potentiels de décès et de blessures graves à vous et à d'autres.

Tous les messages de sécurité suivront le symbole d'alerte de sécurité et le mot "DANGER" ou "AVERTISSEMENT". Ces mots signifient :

⚠ DANGER

Risque possible de décès ou de blessure grave si vous ne suivez pas immédiatement les instructions.

⚠ AVERTISSEMENT

Risque possible de décès ou de blessure grave si vous ne suivez pas les instructions.

Tous les messages de sécurité vous diront quel est le danger potentiel et vous disent comment réduire le risque de blessure et ce qui peut se produire en cas de non-respect des instructions.

IMPORTANTES INSTRUCTIONS DE SÉCURITÉ

Lors de l'utilisation de tout appareil ménager électrique on doit observer certaines précautions de sécurité fondamentales, dont les suivantes :

AVERTISSEMENT : Pour réduire le risque de brûlures, de choc électrique, d'incendie, de blessures, ou d'exposition excessive à l'énergie des micro-ondes :

- Lire la totalité des instructions avant d'utiliser le four à micro-ondes.
- Lire et observer les instructions spécifiques à la section "PRÉCAUTIONS CONTRE LE RISQUE D'EXPOSITION EXCESSIVE À L'ÉNERGIE DES MICRO-ONDES".
- Le four à micro-ondes doit être relié à la terre. Brancher l'appareil uniquement sur une prise de courant convenablement reliée à la terre. Voir les "INSTRUCTIONS DE MISE À LA TERRE" présentées à la section "Instructions d'installation".
- Installer cet appareil uniquement selon les instructions d'installation fournies.
- Certains produits, comme les oeufs entiers et les récipients fermés (par exemple un bocal en verre fermé) peuvent exploser; on ne doit pas les faire chauffer dans ce four.
- Utiliser ce four à micro-ondes uniquement pour les applications auxquelles il est destiné, telles qu'elles sont décrites dans ce manuel. Ne pas utiliser de vapeurs ou de produits chimiques corrosifs dans ce four à micro-ondes. Ce type de four est spécifiquement conçu pour chauffer ou cuire les aliments. Il n'est pas conçu pour des applications industrielles ou de laboratoire.
- Comme pour tout four à micro-ondes ménager, les enfants ne devraient utiliser ce four que sous une surveillance adéquate.
- Ne pas faire fonctionner ce four à micro-ondes si le cordon d'alimentation électrique ou la fiche de branchement est endommagé, s'il ne fonctionne pas correctement, s'il a subi des dommages ou s'il est tombé.

CONSERVEZ CES INSTRUCTIONS

suite à la page suivante

IMPORTANTES INSTRUCTIONS DE SÉCURITÉ

- Tous les travaux de service doivent être exécutés par un personnel d'entretien qualifié. Contacter le centre de service autorisé pour les opérations d'inspection, réparation ou réglage.
- Ne pas recouvrir ou obstruer une ouverture quelconque de l'appareil.
- Ne pas remiser ou utiliser cet appareil à l'extérieur. Ne pas utiliser ce produit à proximité d'eau – par exemple, près d'un évier de cuisine, dans un sous-sol humide, ou près d'une piscine, ou à un emplacement similaire.
- Ne pas submerger le cordon ou la fiche de branchement dans l'eau.
- Maintenir le cordon d'alimentation électrique à distance des surfaces chauffées.
- Ne pas laisser le cordon d'alimentation électrique pendre sur le bord d'une table ou d'un comptoir.
- Ne pas installer le four à micro-ondes au-dessus ou près de toute portion d'un appareil de chauffage ou de cuisson.
- Voir à la section "Entretien du four à micro-ondes" les instructions de nettoyage de la porte.
- Ne pas faire fonctionner un appareil de chauffage sous le four à micro-ondes.
- Ne pas installer le four au-dessus d'un évier.
- Veiller à ne rien remiser directement sur le four lorsqu'il est en service.
- Pour réduire le risque d'incendie dans la cavité du four :
 - Ne pas faire cuire les aliments excessivement. Surveiller attentivement l'appareil après y avoir placé des produits en papier, en plastique ou autres matériaux combustibles pour faciliter la cuisson des aliments.
 - Retirer les attaches métalliques des sachets en papier ou en plastique avant de placer de tels sachets dans le four.
 - En cas d'inflammation de matériaux placés à l'intérieur du four, maintenir la porte du four fermée, arrêter le four, débrancher le four ou interrompre l'alimentation électrique au niveau du tableau de distribution (fusible ou disjoncteur).
 - Ne pas utiliser la cavité du four comme espace de rangement. Ne pas laisser dans le four des produits en papier, ustensiles de cuisine ou produits alimentaires, lorsqu'il n'est pas utilisé.

CONSERVEZ CES INSTRUCTIONS

PRÉCAUTIONS CONTRE LE RISQUE D'EXPOSITION EXCESSIVE À L'ÉNERGIE DES MICRO-ONDES

- (a) Ne pas tenter de faire fonctionner ce four lorsque la porte est ouverte, car ceci pourrait susciter une exposition dangereuse à l'énergie des micro-ondes. Il est important de ne pas entraver le fonctionnement correct du dispositif de verrouillage de sécurité.
- (b) Ne pas placer d'objet entre la surface avant du four et la porte, et ne jamais laisser des souillures ou résidus de produits de nettoyage s'accumuler sur les surfaces d'étanchéité.
- (c) Ne pas faire fonctionner le four lorsqu'il est endommagé. Il est particulièrement important que la porte du four ferme convenablement et que les composants suivants ne soient pas endommagés :
 - (1) Porte (déformation),
 - (2) Charnières et dispositif de verrouillage (brisés ou desserrés),
 - (3) Joints de porte et surfaces d'étanchéité.
- (d) Seul un personnel d'entretien qualifié est habilité à exécuter des réparations ou réglages sur cet appareil.

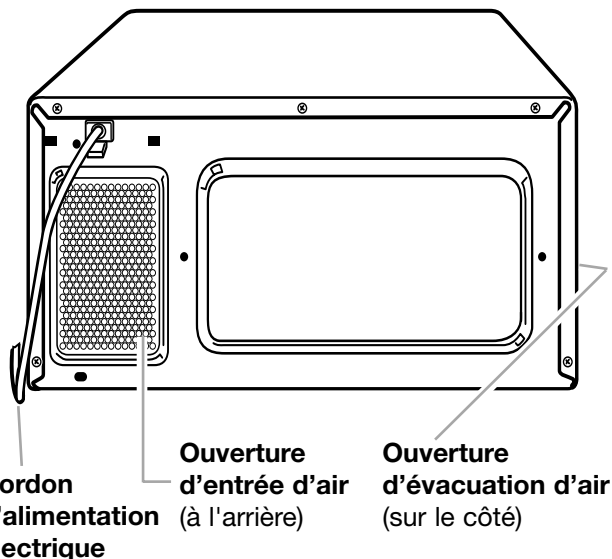
INSTRUCTIONS D'INSTALLATION

Avant d'entreprendre le fonctionnement du four, lire attentivement les instructions qui suivent.

1. Vider la cavité du four à micro-ondes et nettoyer les surfaces internes avec un chiffon doux humide. Inspecter le four pour rechercher des dommages comme mauvais alignement de la porte, détérioration autour de la porte, ou traces de coups à l'intérieur ou à l'extérieur de la cavité du four. En cas de dommages ne pas faire fonctionner le four avant qu'il ait été inspecté par un technicien d'entretien autorisé et que toutes les réparations nécessaires aient été exécutées.
2. Placer le four sur un chariot, un comptoir de cuisine, une table ou une étagère suffisamment résistants pour supporter le poids du four et des aliments et ustensiles qui y seront placés. (Le four est plus lourd du côté du tableau de commande. Manipuler le four avec prudence.) Le poids du four à micro-ondes est d'environ 26 lb (12 kg). Le four à micro-ondes pour bien fonctionner doit être à une température ambiante au-dessus de 50°F (10°C).

REMARQUE : Vous pouvez installer votre four à micro-ondes dans un mur ou un cabinet en utilisant l'une des trusses d'encastrement indiquées à la section "Trusses d'encastrement".

REMARQUE : Ne pas obstruer les événements d'évacuation ou les ouvertures d'entrée d'air à l'arrière. Ménager un espace de quelques pouces à l'arrière du four et sur le côté au niveau des événements d'évacuation. L'obstruction des événements d'évacuation pourrait causer des dommages au four et des résultats médiocres de cuisson. Vérifier que les pieds du four à micro-ondes sont en place pour que la circulation de l'air soit convenable. Si les événements sont obstrués, un dispositif de sécurité thermique sensible ferme automatiquement le four. Le four ne fonctionne pas avant d'avoir suffisamment refroidi.



SPÉCIFICATIONS ÉLECTRIQUES

Observer les dispositions de tous les codes et règlements d'électricité en vigueur. L'appareil doit être alimenté uniquement par un circuit de 120 V CA, 60 Hz, protégé par un fusible de 15 ou 20 A (on recommande l'utilisation d'un fusible temporisé). On recommande que cet appareil soit alimenté par un circuit indépendant.

⚠️ AVERTISSEMENT



Risque d'incendie

Ne pas installer le four à proximité ou au-dessus d'une source de chaleur sans un nécessaire de garniture approuvé par UL (approuvé par ACNOR au Canada).

Le non-respect de cette instruction peut causer un décès, un incendie ou un choc électrique.

⚠️ AVERTISSEMENT



Risque de choc électrique

Brancher sur une prise à 3 alvéoles reliée à la terre.

Ne pas enlever la broche de liaison à la terre.

Ne pas utiliser un adaptateur.

Ne pas utiliser un câble de rallonge.

Le non-respect de ces instructions peut causer un décès, un incendie ou un choc électrique.

SPÉCIFICATIONS ÉLECTRIQUES (SUITE)

INSTRUCTIONS DE MISE À LA TERRE

- **Pour tout appareil ménager connecté par un cordon de courant électrique :**

Il faut que le four à micro-ondes soit relié à la terre. En cas de court-circuit électrique, la liaison à la terre réduit le risque de choc électrique car le courant électrique dispose d'un itinéraire direct d'acheminement à la terre. Le four à micro-ondes est doté d'un cordon de courant électrique qui comporte un fil de liaison à la terre, avec broche de liaison à la terre. On doit brancher la fiche sur une prise de courant convenablement installée et reliée à la terre.

AVERTISSEMENT : L'usage abusif de la fiche de mise à la terre peut entraîner un risque de choc électrique.

L'utilisateur qui ne comprend pas bien les instructions de liaison à la terre, ou qui n'est pas certain que le four à micro-ondes soit convenablement relié à la terre, devrait consulter un électricien qualifié.

Ne pas utiliser un câble de rallonge. Si le cordon de courant électrique est trop court, demander à un électricien qualifié d'installer une prise de courant à proximité du four à micro-ondes.

- **Pour un appareil à connexion permanente :**

Cet appareil doit être relié à un câblage métallique permanent relié à la terre, ou on doit installer avec les conducteurs d'alimentation électrique un conducteur de liaison à la terre connecté à la borne ou au fil de liaison à la terre de l'appareil.

CONSERVEZ CES INSTRUCTIONS

FAMILIARISATION

Cette section traite des concepts de la cuisson aux micro-ondes et présente les principes de base que l'utilisateur doit connaître pour faire fonctionner le four à micro-ondes. Lire ces renseignements avant d'utiliser le four.

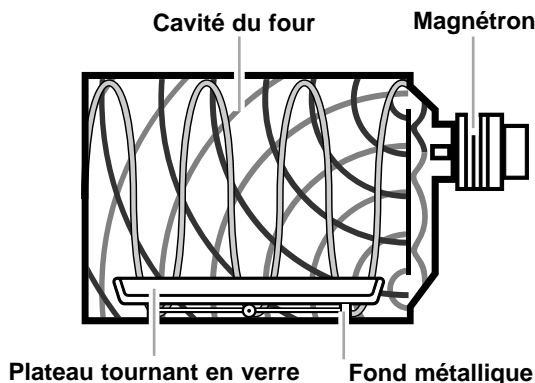
FONCTIONNEMENT DU FOUR À MICRO-ONDES

L'énergie des micro-ondes n'est pas chaude. Les micro-ondes suscitent la génération de chaleur au sein même des aliments, et c'est cette chaleur qui cuit les aliments.

Les micro-ondes sont similaires aux ondes de la lumière, aux ondes de télévision ou de radio. On ne peut pas les voir, mais on peut en observer les effets.

Dans le four à micro-ondes, un magnétron génère les micro-ondes. Les micro-ondes accèdent à la cavité du four où elles agissent sur les aliments présents sur le plateau tournant.

Votre four dispose d'un système de distribution de micro-ondes multiple MAXWAVE™. L'énergie des micro-ondes est diffusée de deux endroits, ce qui vous donne une meilleure cuisson, plus homogène.



Le plateau tournant en verre du four à micro-ondes se laisse traverser par les micro-ondes. Les micro-ondes sont réfléchies par le fond métallique, traversent de nouveau le plateau tournant en verre, et sont absorbées par les aliments.

Les micro-ondes traversent sans les chauffer la plupart des matériaux comme verre, papier et plastique; ce sont les aliments qui absorbent l'énergie. Les ustensiles métalliques réfléchissent les micro-ondes, et par conséquent leur contenu n'absorbe pas l'énergie des micro-ondes.

RADIO-INTERFÉRENCES

Lorsqu'il fonctionne, le four à micro-ondes peut provoquer des interférences qui perturbent la réception des radio-récepteurs, téléviseurs ou équipements similaires. En cas d'interférence, on peut la réduire ou l'éliminer au moyen des mesures suivantes :

- Nettoyer la porte et les surfaces d'étanchéité du four.
- Régler l'antenne de réception du récepteur de radio ou de télévision.
- Déplacer le récepteur pour l'éloigner du four à micro-ondes.
- Brancher le four à micro-ondes sur une prise de courant différente, afin que le four et le radio-récepteur et le téléviseur soient alimentés par des circuits différents.

POUR OBTENIR LES MEILLEURS RÉSULTATS DE CUISSON

- Toujours faire cuire les aliments pendant la période minimale recommandée. Vérifier la cuisson de l'aliment. Si nécessaire, appuyer sur ADD MINUTE pendant le fonctionnement du four ou après le programme de cuisson (voir la section "Utilisation de ADD MINUTE").
- Remuer, retourner ou réarranger les aliments en train de cuire à peu près au milieu de la période de cuisson pour toutes les recettes. Ceci aidera à faire en sorte que l'aliment soit cuit uniformément.
- Si vous n'avez pas un couvercle pour un plat, utiliser du papier ciré, ou un essuie-tout ou une pellicule de plastique approuvé pour les micro-ondes. Ne pas oublier de tourner un coin de la pellicule de plastique pour laisser la vapeur s'échapper durant la cuisson.

POUR TESTER LE COMPORTEMENT DES ARTICLES OU USTENSILES DE CUISINE

Tester le comportement des articles ou ustensiles de cuisine avant l'emploi. Pour déterminer si on peut utiliser un plat en sécurité, le placer dans le four avec 250 mL (1 tasse) d'eau à côté. Faire fonctionner le four pendant 1 minute à la puissance maximale (100 %). Si le plat s'échauffe tandis que l'eau reste froide, ne pas utiliser le plat. Certains plats (mélamine, certains objets en céramique, etc.) absorbent l'énergie des micro-ondes; ces articles deviennent alors trop chauds pour qu'on puisse les manipuler, et ceci augmente également le temps de cuisson. L'emploi lors de la cuisson d'un récipient métallique non conçu pour l'utilisation dans un four à micro-ondes peut faire subir des dommages au four; il en est de même des récipients contenant des métaux dissimulés (attaches métalliques, garniture de feuille métallique, agrafes, glaçures ou garnitures métalliques).

CONSEILS D'UTILISATION

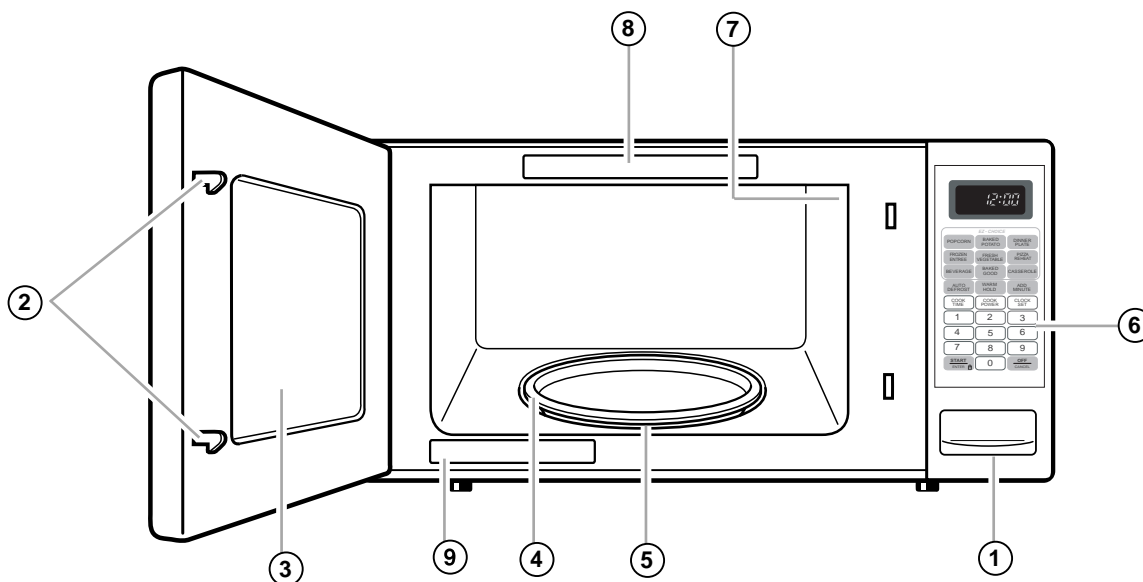
- Ne jamais s'appuyer sur la porte ou permettre à un enfant de se suspendre à la porte quand elle est ouverte.
- Utiliser des mitaines de four ou des maniques lorsqu'on retire des récipients du four.
- Ne pas placer de journal ou autre papier imprimé dans le four.
- Ne pas essayer de faire sécher des articles comme fleurs, fruits, herbes, bois, papier, gourdes ou vêtements dans le four.
- Ne pas faire fonctionner le four à micro-ondes lorsqu'il est vide. Ceci pourrait en réduire la longévité. Pour les essais de programmation du four, mettre un récipient contenant de l'eau dans le four. Il est normal que la porte du four ne semble plus être parfaitement plane ou transparente après qu'il ait fonctionné pendant quelque temps.
- Ne pas essayer de faire fondre de la paraffine dans le four. La cire de paraffine ne fond pas dans un four à micro-ondes, car elle est transparente aux micro-ondes.
- Ne pas faire fonctionner le four à micro-ondes à moins que le plateau tournant en verre soit bien en place et puisse tourner librement. Le plateau tournant peut tourner dans un sens ou l'autre. S'assurer que le plateau tournant est à l'endroit dans le four. Manipuler le plateau tournant avec soin lorsqu'on le retire du four pour éviter de le casser. Si le plateau tournant se fend ou casse, contacter le marchand pour obtenir une pièce de rechange.
- Quand on emploie un plat à brunissement il doit être au moins à 5 mm ($\frac{3}{16}$ po) au-dessus du plateau tournant. Suivre le mode d'emploi fourni avec le plat à brunissement.
- Une accumulation de vapeur dans les oeufs entiers peut les faire éclater et endommager le four. Couvrir les oeufs pochés et les laisser reposer.
- Les liquides chauffés peuvent éclabousser pendant et après le chauffage. L'utilisation d'une spatule en bois pour remuer dans la tasse ou le bol durant le chauffage peut aider à éviter cela.
- Il est possible que les micro-ondes n'atteignent pas le centre d'un rôti. C'est la chaleur générée dans les zones périphériques du rôti qui provoque la cuisson de la zone centrale. C'est là l'une des raisons pour lesquelles on doit prévoir un temps de repos après la cuisson avant la consommation de mets comme rôtis, pommes de terre, et prévoir de mélanger certains aliments au cours de la période de cuisson.
- Ne pas cuire de friture dans le four. Les ustensiles de cuisson pour micro-ondes ne conviennent pas et il est difficile de maintenir des températures appropriées de friture.
- Ne pas faire cuire excessivement les pommes de terre; À la fin du temps de cuisson recommandé, les pommes de terre devraient être encore légèrement fermes, parce que leur cuisson se poursuit au cours du temps de repos. Après la cuisson au four à micro-ondes, laisser les pommes de terre reposer pendant 5 minutes. Ce temps permettra à la cuisson de se terminer.

RACCORDEMENT AU RÉSEAU ÉLECTRIQUE

Si la tension de la ligne d'alimentation électrique ou de la prise de courant est inférieure à la tension normale de 110 volts, le temps de cuisson peut augmenter. Demander à un électricien qualifié d'inspecter l'installation électrique.

CARACTÉRISTIQUES DU FOUR À MICRO-ONDES

Ce manuel peut couvrir plusieurs modèles différents. Le modèle (ou appareil) que vous avez acheté peut avoir certaines ou toutes les caractéristiques illustrées. L'apparence de votre modèle particulier peut différer des illustrations de ce manuel.



Le four à micro-ondes est conçu pour rendre la préparation des repas aussi agréable et productive que possible. On présente ci-dessous la liste des principales caractéristiques du four, pour que vous puissiez l'utiliser aussi rapidement que possible :

1. Bouton simple d'ouverture au toucher.

Appuyer pour ouvrir la porte.

2. Système de verrouillage de sécurité de la porte. Le four ne peut pas fonctionner si la porte n'est pas bien fermée.

3. Hublot avec grille métallique. La grille métallique empêche les micro-ondes de s'échapper. Il s'agit d'une grille comme un écran qui permet à l'utilisateur de voir les aliments dans le four au cours de la cuisson.

4. Plateau tournant en verre. Ce plateau fait tourner le plat dans le four au cours de la cuisson, ce qui suscite une cuisson plus uniforme. Pour l'obtention des meilleurs résultats de cuisson, il faut que le plateau tournant soit dans le four au cours de la cuisson.

5. Support amovible du plateau tournant (sous le plateau tournant).

6. Tableau de commande. Les touches de ce tableau commandent toutes les fonctions du four.

7. Lampe d'éclairage (non illustrée). S'allume automatiquement lorsque la porte est ouverte et lorsque le four fonctionne.

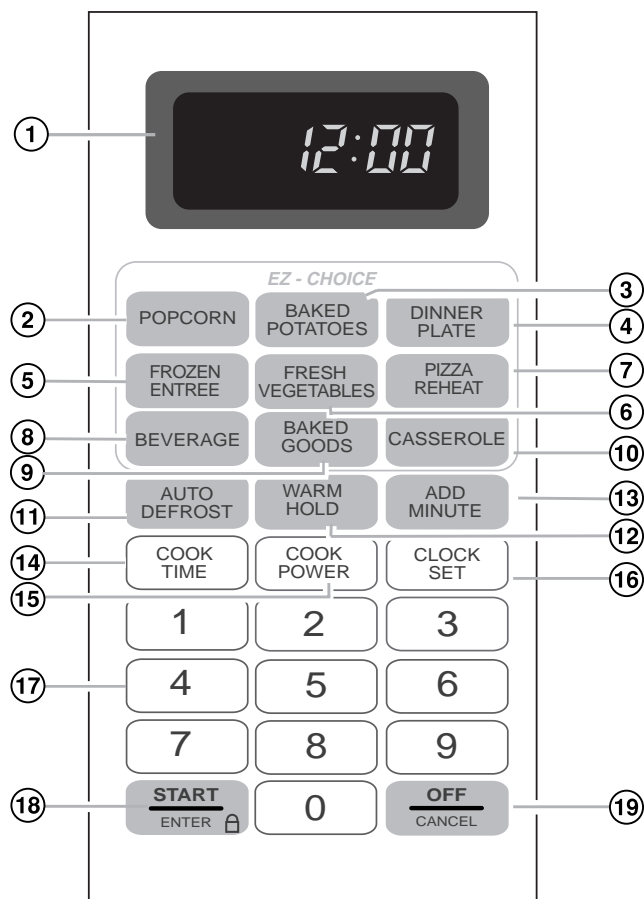
8. Guide de cuisson.

9. Plaque signalétique des numéros de modèle et de série.

CARACTÉRISTIQUES DU TABLEAU DE COMMANDE

Le tableau de commande du four à micro-ondes permet à l'utilisateur de sélectionner rapidement et facilement les fonctions de cuisson désirées. Il vous suffit d'appuyer sur la touche de commande nécessaire. On présente ci-dessous la liste des boutons de commande du tableau de commande.

- 1. Afficheur.** L'afficheur comprend une horloge pour indiquer l'heure du jour, les réglages de temps de cuisson, et les fonctions de cuisson sélectionnées.
- 2. POPCORN (MAÏS SOUFLÉ).** Appuyer sur cette touche pour la préparation de maïs soufflé sans programmer la puissance de chauffage ou le temps de cuisson.
- 3. BAKED POTATOES (POMMES DE TERRE AU FOUR).** Appuyer sur cette touche pour faire cuire les pommes de terre sans programmer la puissance de chauffage ou le temps de cuisson.
- 4. DINNER PLATE (ASSIETTÉE).** Appuyer sur cette touche pour réchauffer une assiettée d'aliments réfrigérés sans programmer la puissance de chauffage ou le temps de cuisson.
- 5. FROZEN ENTRÉE (METS CONGELÉ).** Appuyer sur cette touche pour chauffer les mets congelés, sans programmer la puissance de chauffage ou le temps de cuisson.
- 6. FRESH VEGETABLES (LÉGUMES FRAIS).** Appuyer sur cette touche pour cuire des légumes frais sans programmer la puissance de chauffage ou le temps de cuisson.
- 7. PIZZA REHEAT (RÉCHAUFFAGE).** Appuyer sur cette touche pour réchauffer des morceaux de pizza sans programmer la puissance de chauffage ou le temps de cuisson.
- 8. BEVERAGE (BOISSON).** Appuyer sur cette touche pour réchauffer une boisson, sans programmer une puissance de chauffage ou un temps de cuisson.
- 9. BAKED GOODS (ALIMENTS CUITS).** Appuyer sur cette touche pour réchauffer des aliments cuits sans programmer une puissance de chauffage ou un temps de cuisson.
- 10. CASSEROLE (METS EN SAUCE).** Appuyer sur cette touche pour chauffer un mets en sauce, sans programmer une puissance de chauffage ou un temps de cuisson.
- 11. AUTO DEFROST (DÉCONGÉLATION AUTOMATIQUE).** Appuyer sur cette touche pour décongeler les aliments surgelés d'après le poids.
- 12. WARM HOLD (MAINTIEN DE TEMPÉRATURE).** Appuyer sur cette touche pour garder des aliments chauds et cuits dans votre micro-ondes jusqu'à 60 minutes. On peut utiliser la fonction WARM HOLD indépendamment ou après la fin d'une période de cuisson.



- 13. ADD MINUTE (MINUTE ADDITIONNELLE).** Appuyer sur cette touche pour commander une opération de cuisson d'une minute au niveau de puissance de 100 %.
- 14. COOK TIME (TEMPS DE CUISSON).** Appuyer sur cette touche, puis sur les touches numériques pour régler un temps de cuisson.
- 15. COOK POWER (PUISSANCE DE CHAUFFAGE).** Appuyer sur cette touche après le réglage du temps de cuisson, puis sur une touche numérique pour régler la quantité de puissance du four à micro-ondes utilisée pour cuire l'aliment. Plus le chiffre est élevé, plus la puissance du four à micro-ondes ou la "vitesse de cuisson" est élevée.
- 16. CLOCK SET (RÉGLAGE DE L'HORLOGE).** Appuyer sur cette touche pour entrer l'heure correcte du jour.
- 17. Touches numériques.** Appuyer sur les touches numériques pour entrer les temps de cuisson, les puissances de chauffage, les quantités ou les poids.

CARACTÉRISTIQUES DU TABLEAU DE COMMANDE (SUITE)

18. START/ENTER (MISE EN MARCHÉ/ ENTRÉE).

Appuyer sur cette touche pour commander la mise en marche d'une fonction que vous avez réglée.

19. OFF/CANCEL (ARRÊT/ANNULATION).

Appuyer sur cette touche une fois pour annuler une commande incorrecte ou deux fois pour annuler un programme durant la cuisson. Cette touche n'effacera pas l'heure du jour.

REMARQUE : Si on tente d'entrer des instructions inacceptables, "Err" apparaîtra sur l'afficheur. Appuyer sur la touche OFF/CANCEL et entrer de nouveau les instructions.

Signaux sonores

Le four à micro-ondes présente des signaux sonores qui peuvent guider l'utilisateur lors du réglage et de l'utilisation du four :

- Un signal sonore de programmation sera entendu chaque fois que vous appuyez sur une touche.
- Trois signaux sonores indiquent la fin d'un programme de cuisson.

Interruption de la cuisson

On peut interrompre le fonctionnement du four pendant un programme en ouvrant la porte. Le four cesse immédiatement de chauffer et le ventilateur s'arrête; mais la lampe reste allumée. Pour reprendre la cuisson, fermer la porte et

Appuyer sur START/ENTER.

Si on ne désire pas continuer la cuisson :

- Fermer la porte et la lampe s'éteint.
OU
- Appuyer sur OFF/CANCEL.

REMARQUE : Avant de choisir une fonction, appuyer sur la touche OFF/CANCEL pour s'assurer qu'il n'y a pas une autre fonction en marche.

Verrouillage de protection pour les enfants

Le verrouillage de protection pour les enfants immobilise le tableau de commande de sorte que les enfants ne peuvent pas utiliser le four à micro-ondes lorsque vous ne le voulez pas.

Pour verrouiller le tableau de commande :

Appuyer sur START/ENTER jusqu'à ce que le message "L" apparaisse sur l'afficheur (environ 4 secondes). (Deux signaux sonores se feront entendre.)

Pour déverrouiller le tableau de commande :

Appuyer sur START/ENTER jusqu'à ce que le message "L" apparaisse sur l'afficheur. (Un signal sonore se fera entendre.)

TROUSSES D'ENCASTREMENT (NE PAS INSTALLER AU-DESSUS D'UNE SOURCE DE CHALEUR)

⚠ AVERTISSEMENT



Risque d'incendie

Ne pas installer le four à proximité ou au-dessus d'une source de chaleur sans un nécessaire de garniture approuvé par UL (approuvé par ACNOR au Canada).

Le non-respect de cette instruction peut causer un décès, un incendie ou un choc électrique.

Vous pouvez encastrer votre four à micro-ondes dans un mur ou un placard en utilisant l'un des ensembles suivants d'encastrement. Ces ensembles sont disponibles chez votre marchand. Si votre marchand ne possède pas l'ensemble en stock, vous pouvez le commander par identification de l'ensemble, en composant le **1-800-461-5681** et en suivant les instructions et le message téléphonique que vous entendez.

DIMENSIONS	COULEUR	N° DE MODÈLE
24" (61 cm)	Noir	MK1074XGB/XHB
24" (61 cm)	Blanc	MK1074XGQ/XHQ

REMARQUE : On peut aussi installer le four à micro-ondes sous un placard en utilisant un ensemble spécial. On peut obtenir l'ensemble n° 4359660 chez votre marchand. Si votre marchand ne possède pas cet ensemble en stock, vous pouvez le commander par le numéro, en composant le **1-800-461-5681** et en suivant les instructions que vous entendez au téléphone.

RÉGLAGE DE L'HORLOGE

Lors du branchement initial du four, l'afficheur indique "0". Si une panne de courant survient, l'afficheur indiquera de nouveau "0" lorsque le courant revient.

REMARQUES : On peut faire la cuisson sans régler l'horloge, mais l'afficheur montrera de nouveau "0" après la cuisson.

1. Appuyer sur CLOCK SET.

2. Appuyer sur les touches numériques pour entrer l'heure. Par exemple : Pour 7:00, appuyer sur "7 0 0"

3. Appuyer sur CLOCK SET.

UTILISATION DU FOUR À MICRO-ONDES

On présente dans cette section des instructions d'utilisation de chaque fonction du four à micro-ondes. Veuillez lire attentivement ces instructions.

CUISSON À LA PUISSANCE DE CHAUFFAGE MAXIMALE

1. Placer le mets dans le four et fermer la porte.
2. Appuyer sur COOK TIME.
L'affichage indiquera “: 0.”
3. Appuyer sur les touches numériques pour entrer la durée désirée.
Par exemple : Pour 10:00, appuyer sur “1 0 0 0”
4. Appuyer sur START/ENTER.
5. À la fin du temps de cuisson :
L'afficheur indiquera le mot “End” et 3 signaux se feront entendre.

CUISSON À DIFFÉRENTES PUISSANCES DE CHAUFFAGE

1. Placer le mets dans le four et fermer la porte.
2. Appuyer sur COOK TIME.
L'affichage indiquera “: 0.”
3. Appuyer sur les touches numériques pour entrer la durée désirée.
4. Appuyer sur COOK POWER.
5. Sélectionner une touche numérique pour le réglage de puissance désiré.
(Voir le tableau suivant.)
6. Appuyer sur START/ENTER.
7. À la fin du temps de cuisson :
L'afficheur indiquera le mot “End” et 3 signaux se feront entendre.

Pour l'obtention des meilleurs résultats, certaines recettes demandent différentes puissances de chauffage. Plus la puissance de chauffage choisie est basse, plus la cuisson est lente. Chaque touche numérique correspond également à un pourcentage différent de la puissance de chauffage. De nombreuses recettes de cuisine aux micro-ondes indiquent la puissance de chauffage à utiliser sous la forme d'un chiffre, d'un pourcentage, ou du nom d'une touche.

Le tableau suivant indique les pourcentages de la puissance de chauffage qui correspondent aux touches numériques, et l'appellation habituellement utilisée. Le tableau indique également quand utiliser chaque puissance de chauffage. Suivre les instructions de la recette ou de l'étiquette d'emballage si disponibles.

REMARQUE : Consulter un livre de cuisine fiable pour les temps de cuisson.

PUISSANCE DE CHAUFFAGE	APPELLATION	UTILISATION
P100-HI = 100% de la puissance maximale (automatique)	High (Puissance maximale)	● Réchauffage rapide d'aliments préparés et d'aliments contenant beaucoup d'eau, tels que soupes, boissons et la plupart des légumes
P90 =90 % de la puissance maximale		● Cuisson de morceaux tendres de viande, viande hachée, morceaux de volaille et filets de poissons ● Réchauffage de soupes en crème
P80 =80 % de la puissance maximale		● Réchauffage de riz, pâtes alimentaires ou plats en sauce ● Cuisson et chauffage d'aliments nécessitant une puissance de cuisson inférieure à high (comme pain de viande et de poisson entier)
P70 =70 % de la puissance maximale	Medium-High, Reheat (Moyenne maximale, réchauffage)	● Réchauffage d'une seule portion alimentaire.
P60 =60 % de la puissance maximale		● Cuisson nécessitant une attention spéciale, comme les plats à base de fromage et d'oeufs, poudings et crème anglaise ● Cuisson de mets en sauce qui ne se gardent pas tels que les lasagnes

COOK POWER	NAME	WHEN TO USE IT
P50 = 50 % de la puissance maximale	Medium (Moyenne)	<ul style="list-style-type: none"> ● Cuisson de jambon, volaille en entier et rôtis ● Mijotage des ragoûts
P40 = 40 % de la puissance maximale		<ul style="list-style-type: none"> ● Réchauffage des pâtisseries, pain ● Pour fondre le chocolat
P30 = 30 % de la puissance maximale	Medium-Low, (Moyenne-basse) Defrost (Décongélation)	<ul style="list-style-type: none"> ● Décongélation pain, poisson, viandes, volaille et aliments précuits
P20 = 20 % de la puissance maximale		<ul style="list-style-type: none"> ● Amollissement du beurre, fromage et crème glacée
P10 = 10 % de la puissance maximale	Low (Faible)	<ul style="list-style-type: none"> ● Réchauffer les fruits froids

REMARQUE : Une fois que le temps de cuisson a été réglé, on peut aussi utiliser la touche COOK POWER (Puissance de chauffage) comme une deuxième minuterie en entrant "0" pour la puissance de chauffage. Le four comptera à rebours le temps de cuisson que vous avez réglé, sans cuisson.

CUISSON AVEC PLUS DE UN PROGRAMME DE CUISSON

Pour l'obtention de meilleurs résultats, certaines recettes demandent une puissance de chauffage pendant une certaine durée, et une autre puissance de chauffage pendant une autre durée. Le four peut être réglé pour passer de l'une à l'autre puissance automatiquement, jusqu'à 3 programmes plus un programme de décongélation.

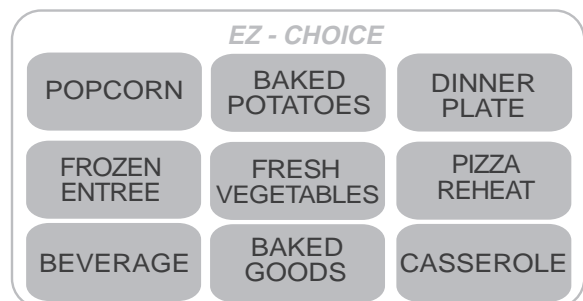
1. Placer le mets dans le four et fermer la porte.
2. Appuyer sur les touches numériques pour régler la durée de cuisson pour le premier programme.
3. Appuyer sur les touches numériques pour régler la puissance de cuisson pour le premier programme.
4. Répéter les étapes 2 et 3 pour régler la durée et la puissance de cuisson pour chaque cycle additionnel.
5. Appuyer sur START/ENTER.
À la fin du premier cycle, 2 signaux se feront entendre et le compte à rebours du ou des cycles suivant(s) commencera.
6. À la fin de la durée de cuisson :
L'afficheur indiquera le mot "End" et 3 signaux se feront entendre.

UTILISATION DE EZ-CHOICE™ (CHOIX EZ)

On peut faire cuire les aliments ordinaires préparés aux micro-ondes tout simplement en choisissant une catégorie et une quantité. EZ-CHOICE comporte des durées et des puissances de chauffage pré-réglées pour neuf catégories.

Pour la cuisson par EZ-CHOICE veuillez suivre les étapes ci-dessous :

1. Appuyer sur la touche pour l'aliment désiré.



2. Appuyer de nouveau sur la touche si vous voulez une portion différente (voir “Tableau de cuisson de EZ-CHOICE (Choix EZ)” à la page suivante pour les portions disponibles à servir).

3. Le four commence le chauffage en quelques secondes

TABLEAU DE CUISSON DE EZ-CHOICE™ (CHOIX EZ)

TOUCHE	APPUYER SUR LA TOUCHE	PORTION	DIRECTIVES
POPCORN (MAÏS SOUFFLÉ)	1 fois	3,5 oz (99 g)	<ul style="list-style-type: none"> ● Suivre le mode d’emploi sur les emballages ● Utiliser l’emballage de maïs soufflé fabriqué spécialement pour la cuisson au four à micro-ondes. ● Ne pas tenter de faire souffler les grains non éclatés. ● Préparer seulement un emballage à la fois. ● Ne pas laisser le four à micro-ondes sans surveillance pendant la préparation de maïs soufflé. ● Si vous utilisez un appareil pour maïs soufflé aux micro-ondes, suivre les instructions du fabricant. ● Le résultat de cuisson du maïs dépendra de la marque de maïs et du contenu en matières grasses. Essayer plusieurs marques pour décider laquelle réussit le mieux. Pour obtenir les meilleurs résultats, utiliser des sacs frais de maïs à souffler.
	2 fois	3,0 oz (85 g)	
	3 fois	1,75 oz (50 g)	
BAKED POTATOES (POMMES DE TERRE AU FOUR)	1 fois	1 (10 à 13 oz [283 à 369 g])	<ul style="list-style-type: none"> ● Percer les pommes de terre plusieurs fois à l’aide d’une fourchette. ● Placer au centre du four sur essuie-tout en papier. ● Après la cuisson laisser reposer pendant 5 minutes. ● Ne pas recouvrir.
	2 fois	2 (16 à 20 oz [454 à 567 g])	
	3 fois	3 (24 à 30 oz [680 à 850 g])	
	4 fois	4 (32 à 40 oz [907 à 1134 g])	
DINNER PLATE (ASSIETTÉE) (réfrigérée)	1 fois	1 portion	<ul style="list-style-type: none"> ● Disposer les aliments sur l’assiette de four à micro-ondes. Placer les portions de viande et les légumes de gros format au contour de l’assiette. ● Recouvrir d’une enveloppe en plastique. ● Percer les coins pour l’aération. ● Après la cuisson, laisser reposer 2 minutes.
	2 fois	2 portions	
FROZEN ENTREE (METS CONGELÉS)	1 fois	10 oz (284 g)	<ul style="list-style-type: none"> ● Suivre le mode d’emploi sur les emballages. ● Laisser reposer 2 à 3 minutes après la cuisson.

TABLEAU DE CUISSON DE EZ-CHOICE™ (CHOIX EZ) (SUITE)

TOUCHE	APPUYER SUR LA TOUCHE	PORTION	DIRECTIVES
FRESH VEGETABLES (LÉGUMES FRAIS)	1 fois	1 tasse (250 mL)	<ul style="list-style-type: none"> Mouiller et déposer dans un récipient qui va au four à micro-ondes. Recouvrir d'une feuille de plastique. 1 tasse (250 mL) – ajouter 2 cuillères à soupe d'eau (30 mL) 2 tasses (500 mL) – ajouter 2 cuillères à soupe d'eau (30 mL) 3 tasses (750 mL) – ajouter ¼ tasse (60 mL) d'eau 4 tasses (1 L) – ajouter ¼ tasse (60 mL) d'eau Remuer et laisser reposer, couvert, pendant 2 à 3 minutes après la cuisson.
	2 fois	2 tasses (500 mL)	
	3 fois	3 tasses (750 mL)	
	4 fois	4 tasses (1 L)	
PIZZA (réfrigérée)	1 fois	1 morceau (5 oz [142 g])	<ul style="list-style-type: none"> Placer la pizza réfrigérée sur l'assiette au centre du four à micro-ondes sur un essuie-tout en papier.
	2 fois	2 morceaux (10 oz [283 g])	
BEVERAGE (BOISSON)	1 fois	1 tasse (250 mL)	<ul style="list-style-type: none"> Utiliser une chope ou une tasse qui va aux micro-ondes. Brasser après le réchauffage.
	2 fois	2 tasses (500 mL)	
BAKED GOODS (METS CUIITS AU FOUR)	1 fois	1 (2 oz [57 g])	<ul style="list-style-type: none"> Placer au centre du four sur un essuie-tout en papier. Si la grosseur de l'aliment cuit n'est pas plus de 85 g (3 oz), entrer la portion comme à "2".
	2 fois	2 (4 oz [113 g])	
	3 fois	3 (6 oz [170 g])	
	4 fois	4 (8 oz [227 g])	
CASSEROLE (METS EN SAUCE) (réfrigérés)	1 fois	1 tasse (250 mL)	<ul style="list-style-type: none"> Placer dans un récipient qui va au four à micro-ondes. Couvrir de film plastique. À la fin de la cuisson, remuer si possible, et laisser reposer 2 à 3 minutes.
	2 fois	2 tasses (500 mL)	
	3 fois	3 tasses (750 mL)	
	4 fois	4 tasses (1 L)	

REMARQUE : Si on appuie sur une touche EZ-CHOICE (Choix EZ) plus que les fois indiquées sur ce tableau, l'afficheur retournera à la première portion.

UTILISATION DE LA FONCTION AUTO DEFROST (DÉCONGÉLATION AUTO)

On peut décongeler les aliments en choisissant une catégorie et un réglage de poids. AUTO DEFROST a des temps et des puissances de chauffage préréglés pour trois catégories : viande, volaille et poisson.

1. Appuyer sur AUTO DEFROST.

Une fois pour la viande (DEF 1), deux fois pour la volaille (DEF 2), trois fois pour le poisson (DEF 3).

2. Appuyer sur les touches numériques pour le poids désiré (de 45 g à 2,7 kg [0,1 à 6 lb]).

3. Appuyer sur START/ENTER.

4. Durant la décongélation, 5 signaux sonores se feront entendre. Ces signaux vous indiquent quand vérifier, tourner l'aliment, le séparer ou réarranger les aliments. Pour remettre le four en marche, appuyer de nouveau sur START/ENTER.

5. À la fin de la durée de décongélation :

L'afficheur indiquera "End" et 3 signaux sonores se feront entendre.

REMARQUES :

- Si vous entrez un poids plus important que le poids le plus élevé permis pour votre réglage d'aliment, vous entendrez un signal sonore long et "Err" apparaîtra sur l'affichage lorsque vous appuyez sur START/ENTER (Mise en marche/entrée).
- Si vous appuyez sur la touche AUTO DEFROST (Décongélation automatique) 4 fois, l'affichage retourne au réglage Viande.
- Voir "Tableau de décongélation" plus loin dans cette section pour les directives de décongélation pour chaque aliment.
- Pour décongeler les articles qui ne sont pas indiqués dans le "Tableau de décongélation" utiliser 30 % de la puissance de chauffage. Consulter un livre de recettes fiable pour des renseignements de décongélation.
- Deux fois durant la décongélation, vous entendrez 5 signaux sonores. Ces signaux sonores vous diront quand vérifier, retourner, séparer ou redresser les aliments. Voir le "Tableau de décongélation automatique" plus loin dans cette section pour savoir ce qu'il faut faire lorsque vous entendez les signaux sonores. Pour remettre le four en marche, appuyer sur START/ENTER (Mise en marche/entrée).

Tableau de conversion des poids

Vous avez probablement l'habitude de lire les poids exprimés en livres et en onces qui sont des fractions de la livre (ex. 4 onces = ¼ lb [113 g]).

Si le poids est indiqué en fractions de livre sur l'emballage de l'aliment, on peut utiliser le tableau suivant pour convertir le poids en fractions décimales.

Poids équivalent		
ONCES	GRAMMES	POIDS DÉCIMAL
1,6	45,4	0,10
3,2	90,7	0,20
4,0	113,4	0,25 Un quart de livre
4,8	136,1	0,30
6,4	181,4	0,40
8,0	226,8	0,50 Une demi-livre
9,6	272,2	0,60
11,2	317,5	0,70
12,0	340,2	0,75 Trois quarts de livre
12,8	362,9	0,80
14,4	408,2	0,90
16,0	453,6	1,00 Une livre

CONSEILS POUR LA DÉCONGÉLATION

- Avant de commencer, s'assurer que vous avez enlevé toutes les attaches métalliques qui sont souvent utilisées avec les sacs d'aliments congelés, et les remplacer par un bout de ficelle ou des élastiques.
- Ouvrir les contenants, tels que les cartons avant de les placer dans le four.
- Toujours couper ou percer les sacs ou emballages plastiques.
- Si l'aliment est enveloppé dans du papier d'aluminium, enlever le papier d'aluminium et mettre l'aliment dans un contenant convenable.
- Entailler la peau, le cas échéant, d'aliments congelés tels que les saucisses.
- Plier les sacs de plastique d'aliments pour assurer une décongélation uniforme.
- Toujours sous-estimer le temps de décongélation. Si l'aliment décongelé est encore glacé au centre, le replacer dans le four à micro-ondes pour plus de décongélation.
- La durée du temps de décongélation varie selon la solidité de l'aliment congelé.
- La forme du paquet a une influence sur la rapidité de décongélation de l'aliment. Un paquet peu épais se décongèle plus rapidement qu'un paquet épais.
- À mesure que la nourriture se décongèle, séparer les morceaux. Les morceaux séparés se décongèlent plus uniformément.
- Utiliser de petits morceaux de papier d'aluminium pour protéger par exemple les parties des aliments tels que les extrémités des ailes ou des pilons d'un poulet, ou la queue d'un poisson ou les endroits qui commencent à devenir tièdes. S'assurer que le papier d'aluminium ne touche pas le plafond ou le fond du four. Le papier d'aluminium peut endommager les parois du four.
- Pour l'obtention de meilleurs résultats, laisser reposer l'aliment après la décongélation. (Pour plus de renseignements sur les temps de repos, voir "Conseils pour la cuisson au four à micro-ondes" dans la section "Guide de cuisson".)
- Retourner l'aliment durant la décongélation et le temps de repos. Séparer l'aliment ou le retirer au besoin.

UTILISATION DE LA FONCTION ADD MINUTE (MINUTE ADDITIONNELLE)

La fonction MINUTE ADDITIONNELLE vous permet de cuire l'aliment pendant une minute à la puissance maximale de chauffage.

REMARQUES :

- Chaque fois que vous appuyez sur la touche ADD MINUTE, elle ajoutera une minute.
- Vous pouvez entrer une minute additionnelle seulement après avoir fermé la porte ou appuyé sur OFF/CANCEL.
- Vous pouvez seulement utiliser Minute additionnelle pour mettre le four en marche si aucune autre fonction de cuisson n'est en marche.

1. Vérifier que le mets est dans le four.
2. Appuyer sur ADD MINUTE.
3. Après la fin du temps de cuisson :
L'afficheur indiquera le mot "End" et 3 signaux se feront entendre.

UTILISATION DE LA FONCTION WARM HOLD (MAINTIEN DE TEMPÉRATURE)

! AVERTISSEMENT

Risque d'empoisonnement alimentaire

Ne pas laisser des aliments dans un four plus d'une heure avant ou après la cuisson.

Le non-respect de cette instruction peut causer un empoisonnement alimentaire ou une maladie.

La fonction Warm Hold garde au chaud les aliments cuits dans votre four à micro-ondes.

REMARQUES :

- Les aliments cuits sous couvercle doivent demeurer couverts pendant le programme WARM HOLD.
- Les produits de pâtisserie (tarte, chaussons, etc.) ne devraient pas être couverts pendant la fonction WARM HOLD.
- Des repas complets gardés tièdes sur une assiette doivent être recouverts pendant la période WARM HOLD.
- Ne pas utiliser WARM HOLD pendant plus d'un programme complet. La qualité de certains aliments pourrait être affectée par cette prolongation.

1. Placer l'aliment chaud et cuit dans le four et fermer la porte.
2. Appuyer sur WARM HOLD.
"HOLD" clignote jusqu'à ce qu'on appuie sur START/ENTER (mise en marche/entrée).
3. Appuyer sur START/ENTER.
L'afficheur indique "HOLD".
4. Pour annuler la fonction Warm Hold, ouvrir la porte ou appuyer sur la touche OFF/CANCEL (arrêt/annulation).

GUIDE DE CUISSON

CONSEILS POUR LA CUISSON AUX MICRO-ONDES

Quantité d'aliments

- Si on augmente ou diminue la quantité d'aliments qu'on prépare, le temps qu'il faut pour la cuisson peut aussi varier. Par exemple, si on double une recette, on ajoute un peu plus de la moitié du temps de cuisson original requis. Vérifier pour le résultat et, si nécessaire, ajouter plus de temps en courts intervalles.

Température initiale des aliments

- Plus la température initiale des aliments est basse, plus le temps de cuisson est long. Un mets à la température ambiante de la pièce se réchauffera plus rapidement qu'un mets qui sort du réfrigérateur.

Composition des aliments

- Un aliment contenant beaucoup de graisse ou de sucre s'échauffe plus rapidement qu'un mets contenant beaucoup d'eau. La graisse et le sucre atteignent également une température plus élevée que l'eau au cours de la cuisson.
- Plus l'aliment est dense, plus le temps de cuisson est long. Un produit alimentaire "très dense", comme la viande, nécessite une période de cuisson plus longue qu'un produit moins dense ou plus poreux comme un gâteau éponge.

Taille et forme

- Des morceaux d'aliments plus petits cuisent plus rapidement que des gros morceaux, et des portions alimentaires de forme identique cuisent plus uniformément que des aliments de forme irrégulière.
- Dans le cas d'aliments de forme irrégulière, les parties les plus minces cuisent plus rapidement que les parties épaisses. Placer les parties les plus minces des ailes et pilons de poulet au centre du plat.

Aliments qu'il faut remuer ou retourner

- Lorsqu'on remue ou retourne les aliments, la chaleur est distribuée plus rapidement jusqu'au centre du plat, ce qui évite une cuisson excessive à la périphérie de l'aliment.

Couverture des aliments

Recouvrir les aliments pour :

- Réduire les éclaboussements
- Réduire le temps de cuisson
- Retenir l'humidité des aliments

Tout matériau de protection transparent aux micro-ondes est convenable. Voir "Familiarisation" pour les matériaux qui laissent passer les micro-ondes.

Libération de la pression dans les aliments

- Plusieurs types d'aliments sont naturellement protégés par une peau, coquille ou membrane (par exemple, pommes de terre, saucisses, jaunes d'oeuf, et certains fruits). L'accumulation de vapeur au cours de la cuisson peut provoquer l'éclatement de ces aliments. Pour éviter l'accumulation de la pression et empêcher l'éclatement, perforer la surface de ces aliments avec une fourchette, un cure-dent ou une brochette.

Temps de repos

- Toujours prévoir un certain temps de repos après la cuisson. Le temps de repos qui suit une opération de décongélation, de cuisson ou de réchauffage améliore toujours les résultats, car la distribution de température est ainsi plus uniforme.
- Le temps de repos nécessaire dépend du volume et de la densité des aliments. Il n'est parfois pas plus long que le temps qu'il faut pour retirer le plat du four et l'amener jusqu'à la table. Cependant, dans le cas de plats plus volumineux et d'aliments plus denses, le temps de repos nécessaire peut atteindre 10 minutes.

Répartition des aliments

Pour l'obtention des meilleurs résultats, répartir les aliments uniformément dans l'assiette. On peut réaliser ceci de plusieurs manières :

- Dans le cas de la cuisson de plusieurs morceaux du même aliment, comme des pommes de terre, les placer en cercle pour obtenir une cuisson uniforme.
- Dans le cas de la cuisson d'aliments de formes ou d'épaisseurs différentes, comme les poitrines de poulet, placer les parties les plus minces ou les plus petites des aliments vers le centre du plat, où la cuisson est plus lente.
- Placer les tranches de viande minces les unes par-dessus les autres.
- Lors de la cuisson ou du réchauffage d'un poisson entier, rayer la peau – ceci l'empêchera de craquer.
- Ne pas laisser les aliments ou récipients toucher la partie supérieure ou les parois du four. Ceci empêchera la formation d'étincelles.

CONSEILS POUR LA CUISSON AUX MICRO-ONDES (SUITE)

Utilisation du papier d'aluminium

On ne doit pas utiliser un récipient métallique dans un four à micro-ondes. Il y a cependant certaines exceptions. Lorsqu'on achète un aliment ou mets préconditionné dans un récipient en aluminium, voir les instructions qui figurent sur l'emballage. Lors de l'emploi de contenants en papier d'aluminium, les temps de cuisson peuvent être plus longs parce que les micro-ondes ne pénètrent que le dessus de l'aliment.

Dans le cas de récipients en aluminium qui ne sont pas accompagnés d'instructions, observer les directives suivantes :

- Placer le récipient dans un bol en verre et ajouter pas plus de 6,4 mm (¼ po) d'eau pour recouvrir le fond du récipient. Ceci permettra un chauffage uniforme du fond du récipient.
- Toujours retirer le couvercle pour éviter que le four subisse des dommages.
- Utiliser uniquement des récipients non endommagés.
- Ne pas utiliser des récipients de hauteur supérieure à 1,9 cm (¾ po).
- Le récipient doit être au moins à moitié rempli.
- Pour éviter les étincelles, il faut qu'il y ait un espace d'au moins 6,4 mm (¼ po) entre le récipient en aluminium et les parois du four, et également entre deux récipients en aluminium.
- Toujours placer le contenant sur le plateau tournant.
- Le réchauffage d'aliments dans des récipients en aluminium est généralement deux fois plus long que pour le réchauffage dans un récipient en plastique, verre, porcelaine ou papier. Le temps de cuisson est également très variable.
- Prévoir un temps de repos de 2 à 3 minutes après la cuisson afin que la chaleur se répartisse uniformément dans tout le récipient.

Cuisson à ne pas faire dans un four à micro-ondes

- Ne pas préparer de conserves dans le four. Les pots en verre fermés peuvent exploser et faire subir des dommages au four.
- Ne pas utiliser le four pour la stérilisation d'objets comme biberons, etc. Il est difficile de maintenir la température élevée nécessaire pour une bonne stérilisation.

ENTRETIEN DU FOUR À MICRO-ONDES

Pour que le four à micro-ondes ait toujours une belle apparence et fonctionne bien pendant longtemps, il convient d'en assurer convenablement l'entretien. À cette fin, bien observer les instructions suivantes.

Pour les surfaces intérieures : Laver souvent avec une eau savonneuse tiède et une éponge ou un ligne doux. Utiliser seulement des savons doux non abrasifs ou un détergent doux. Veiller à maintenir propres les surfaces de contact de la porte avec le châssis du four (fermeture de la porte). Bien rincer avec de l'eau propre. Avec le temps, certaines taches peuvent apparaître sur les surfaces, du fait de la projection de particules alimentaires pendant la cuisson. Ceci est normal.

Pour éliminer les saletés tenaces, faire bouillir 1 tasse (250 mL) d'eau dans le four pendant 2 à 3 minutes. La vapeur générée ramollira les saletés. Pour éliminer les odeurs à l'intérieur de la cavité du four, faire bouillir 1 tasse (250 mL) d'eau additionnée de jus de citron ou de vinaigre.

Pour les surfaces extérieures et le tableau de commande : Utiliser un linge doux avec un nettoyant atomiseur pour le verre. Appliquer un nettoyant atomiseur pour le verre sur un linge doux et ne pas vaporiser directement sur le four.

REMARQUE : Les produits de nettoyage abrasifs, tampons de laine d'acier, tissus rudes, certains essuie-tout, etc., peuvent endommager le tableau de commande et les surfaces internes et externes du four.

Pour nettoyer le plateau tournant et son support, les laver dans de l'eau savonneuse tiède; pour les zones comportant des saletés tenaces, utiliser un produit de nettoyage doux et une éponge à récurer. Le plateau tournant en verre est lavable au lave-vaisselle.

QUESTIONS ET RÉPONSES

QUESTIONS	RÉPONSES
Puis-je faire fonctionner le four à micro-ondes sans le plateau tournant ou tourner le plateau tournant à l'envers pour tenir un plus grand plat?	Non. Si vous enlevez ou tournez le plateau tournant, vous obtiendrez des résultats médiocres de cuisson. Les plats à utiliser dans votre four doivent convenir sur le plateau tournant.
Puis-je utiliser une grille dans mon four à micro-ondes afin de réchauffer ou cuire deux plats simultanément (sur deux niveaux)?	On peut utiliser une grille seulement si la grille est fournie avec le four à micro-ondes. L'utilisation d'une grille qui n'est pas fournie avec le four à micro-ondes peut susciter une médiocre performance de cuisson et/ou la formation d'étincelles.
Puis-je utiliser des ustensiles métalliques ou en aluminium pour la cuisson aux micro-ondes?	On peut utiliser le papier en aluminium pour recouvrir la cuisson (pour les aliments plats ou de petite taille), des petites brochettes et des petites coupelles en aluminium (d'une profondeur de 1,9 cm [$\frac{3}{4}$ po] et remplies à moitié d'aliments qui absorberont l'énergie des micro-ondes). Ne jamais laisser les articles métalliques toucher les parois ou la porte.
Est-il normal pour le plateau tournant de tourner dans un sens ou l'autre?	Oui. Le plateau tournant tourne dans le sens horaire ou antihoraire selon la rotation du moteur lorsque le programme de cuisson commence.
Parfois, la porte de mon four à micro-ondes semble être ondulée; est-ce normal?	Cette apparence est normale, et elle n'affecte pas le fonctionnement du four.
Quel est le son de bourdonnement que j'entends lorsque mon four à micro-ondes fonctionne?	Il s'agit du son émis par le transformateur lors du fonctionnement du magnétron.
Pourquoi le plat s'échauffe-t-il lorsque j'en cuis le contenu aux micro-ondes? Je croyais que ceci ne se produisait pas.	Alors que les aliments deviennent chauds, ils transmettront la chaleur au plat. Pour éviter les brûlures, utiliser des mitaines isolantes pour enlever les aliments après la cuisson.
Que signifie "temps de repos/période d'attente"?	Un "Temps de repos" signifie que l'aliment doit être retiré du four et recouvert pendant "une prolongation". Cela permet à la cuisson de se terminer, ce qui permet d'utiliser le four pour d'autres opérations.
Pourquoi observe-t-on un rejet de vapeur par l'évent d'air?	La vapeur est normalement générée au cours de la cuisson. Le four à micro-ondes est conçu pour qu'il évacue cette vapeur par l'évent.
Puis-je faire souffler du maïs à éclater dans mon four à micro-ondes? Comment obtenir les meilleurs résultats?	Oui. Pour faire souffler du maïs à éclater aux micro-ondes, suivre les directives fournies par le fabricant ou appuyer sur la touche POPCORN. Ne pas utiliser les sachets ordinaires en papier. Pour déterminer à quel moment arrêter le four, utiliser le "test d'écoute" pour arrêter le four lorsque l'intervalle entre les éclatements atteint 1 ou 2 secondes. Ne pas essayer de faire éclater des grains de maïs qui n'ont pas éclaté la première fois. On peut aussi utiliser des contenants spéciaux pour éclater le maïs aux micro-ondes. Lors de cette utilisation, s'assurer de suivre les instructions du fabricant. Ne pas faire souffler le maïs dans des ustensiles en verre.

DÉPANNAGE

La plupart des problèmes de cuisson sont souvent causés par de petits détails que l'on peut découvrir et régler soi-même sans outillage. Voir les listes ci-dessous et à la page suivante avant de faire un appel pour assistance ou service. Si vous avez encore besoin d'aide, voir la section "Demande d'assistance ou de service".

SI RIEN NE FONCTIONNE, VÉRIFIER LES DÉTAILS SUIVANTS :

- Le four à micro-ondes est-il branché dans une prise à 3 alvéoles reliée à la terre?
- Un fusible est-il grillé ou le disjoncteur s'est-il ouvert?
- La compagnie d'alimentation électrique a-t-elle éprouvé une panne d'électricité?

AUTRES PROBLÈMES POSSIBLES ET LEURS CAUSES

Problème	Cause
Le four à micro-ondes ne fonctionne pas.	<ul style="list-style-type: none">● La porte n'est pas bien fermée et verrouillée.● Vous n'avez pas appuyé sur la touche START/ENTER.● Vous n'avez pas suivi exactement les instructions.● Une fonction qui a été programmée précédemment est encore en opération.● Vous n'avez pas entré la durée après avoir appuyé sur COOK TIME.
Le temps de cuisson au micro-ondes semble être trop long.	<ul style="list-style-type: none">● L'alimentation électrique à votre foyer ou dans les prises de courant murales est faible ou plus basse que normalement. Votre compagnie d'électricité peut vous dire si la tension d'alimentation électrique est basse. Votre technicien ou technicien de service peut vous dire si la tension au niveau de la prise de courant est trop basse.● La puissance de chauffage n'est pas au réglage recommandé.● Les quantités d'aliments plus grandes ont besoin de temps de cuisson prolongé.
Le plateau tournant ne tourne pas.	<ul style="list-style-type: none">● Le plateau tournant n'est pas correctement en place. S'assurer que le plateau tournant a le côté à l'endroit vers le haut et repose bien fixé sur la tige centrale.● L'appui ne fonctionne pas correctement. Enlever le plateau tournant. Vérifier que son appui est bien en place et remettre le four en marche. Si l'appui du plateau tournant ne bouge pas, faire venir un technicien de service autorisé pour la réparation. La cuisson sans le plateau tournant donne des résultats médiocres.
L'affichage indique un compte à rebours et le four n'exécute pas la cuisson.	<ul style="list-style-type: none">● La porte du four n'est pas complètement fermée.
On n'entend pas les signaux sonores de programmation.	<ul style="list-style-type: none">● La commande n'est pas correcte.
Le ventilateur semble tourner plus lentement que d'habitude.	<ul style="list-style-type: none">● Le four a été rangé dans un endroit froid. Le ventilateur fonctionnera plus lentement jusqu'à ce que le four se réchauffe à la température normale de la pièce.
L'afficheur indique "·".	<ul style="list-style-type: none">● Il y a eu une panne d'électricité. Régler de nouveau l'horloge.

Si aucune de ces situations ne cause votre problème, voir la section "Assistance ou service".

ASSISTANCE OU SERVICE

Pour éviter des visites de service non nécessaires, veuillez vérifier la section “Dépannage”. Cette action peut vous faire économiser le coût d’une visite de service. Si vous avez encore besoin d’assistance, suivre les instructions ci-dessous.

SI VOUS AVEZ BESOIN D’ASSISTANCE OU DE SERVICE :

Contactez le Centre d'interaction avec la clientèle chez



Whirlpool Canada Inc. entre en composant le **1-800-461-5681**. Nos consultants sont disponibles pour vous aider. Lors de l’appel :

Veuillez connaître la date d’achat, et les numéros au complet de modèle et de série de votre appareil (voir la section “Note à l’utilisateur”). Ces renseignements nous aideront à mieux répondre à votre demande.

POUR PLUS D’ASSISTANCE :

Si vous avez besoin de plus d’assistance, vous pouvez écrire à Whirlpool Canada Inc. en soumettant toute question ou problème à :

Whirlpool Canada Inc.
Centre d'interaction avec la clientèle
1901 Minnesota Court
Mississauga, Ontario L5N 3A7

Veuillez indiquer dans votre correspondance un numéro de téléphone où l'on peut vous joindre le jour.

GARANTIE DES GROS APPAREILS MÉNAGERS WHIRLPOOL CORPORATION

GARANTIE LIMITÉE DE UN AN

Pendant un an à compter de la date d'achat, lorsque ce gros appareil ménager est utilisé et entretenu conformément aux instructions jointes à ou fournies avec le produit, Whirlpool Corporation ou Whirlpool Canada LP (ci-après désignées "Whirlpool") paiera pour les pièces de rechange FSP® et la main-d'oeuvre pour corriger les vices de matériaux ou de fabrication. Le service doit être fourni par une compagnie de service désignée par Whirlpool.

WHIRLPOOL NE PRENDRA PAS EN CHARGE

1. Les visites de service pour rectifier l'installation du gros appareil ménager, montrer à l'utilisateur comment utiliser l'appareil, remplacer ou réparer des fusibles ou rectifier le câblage ou la plomberie du domicile.
2. Les visites de service pour réparer ou remplacer les ampoules électriques de l'appareil, les filtres à air ou les filtres à eau. Ces pièces consommables ne sont pas couvertes par la garantie.
3. Les réparations lorsque le gros appareil ménager est utilisé à des fins autres que l'usage unifamilial normal.
4. Les dommages imputables à : accident, modification, usage impropre ou abusif, incendie, inondation, actes de Dieu, installation fautive ou installation non conforme aux codes d'électricité ou de plomberie, ou l'utilisation de produits non approuvés par Whirlpool.
5. Toute perte d'aliments due à une défaillance du réfrigérateur ou du congélateur.
6. Le coût des pièces de rechange et de la main-d'oeuvre pour les appareils utilisés hors des États-Unis ou du Canada.
7. Le ramassage et la livraison. Ce gros appareil ménager est conçu pour être réparé à domicile.
8. Les réparations aux pièces ou systèmes résultant d'une modification non autorisée faite à l'appareil.
9. Les frais de transport pour le service d'un produit dans les régions éloignées.
10. La dépose et la réinstallation de votre appareil si celui-ci est installé dans un endroit inaccessible ou n'est pas installé conformément aux instructions d'installation fournies.

CLAUSE D'EXONÉRATION DE RESPONSABILITÉ AU TITRE DES GARANTIES IMPLICITES; LIMITATION DES RECOURS

LE SEUL ET EXCLUSIF RECOURS DU CLIENT DANS LE CADRE DE LA PRÉSENTE GARANTIE LIMITÉE CONSISTE EN LA RÉPARATION PRÉVUE CI-DESSUS. LES GARANTIES IMPLICITES, Y COMPRIS LES GARANTIES APPLICABLES DE QUALITÉ MARCHANDE ET D'APTITUDE À UN USAGE PARTICULIER, SONT LIMITÉES À UN AN OU À LA PLUS COURTE PÉRIODE AUTORISÉE PAR LA LOI. WHIRLPOOL N'ASSUME AUCUNE RESPONSABILITÉ POUR LES DOMMAGES FORTUITS OU INDIRECTS. CERTAINES JURIDICTIONS NE PERMETTENT PAS L'EXCLUSION OU LA LIMITATION DES DOMMAGES FORTUITS OU INDIRECTS, OU LES LIMITATIONS DE LA DURÉE DES GARANTIES IMPLICITES DE QUALITÉ MARCHANDE OU D'APTITUDE À UN USAGE PARTICULIER, DE SORTE QUE CES EXCLUSIONS OU LIMITATIONS PEUVENT NE PAS S'APPLIQUER DANS VOTRE CAS. CETTE GARANTIE VOUS CONFÈRE DES DROITS JURIDIQUES SPÉCIFIQUES ET VOUS POUVEZ ÉGALEMENT JOUIR D'AUTRES DROITS QUI PEUVENT VARIER D'UNE JURIDICTION À UNE AUTRE.

À l'extérieur du Canada et des 50 États des États-Unis, cette garantie ne s'applique pas. Contacter votre marchand Whirlpool autorisé pour déterminer si une autre garantie s'applique.

Si vous avez besoin de service, voir d'abord la section "Dépannage" du Guide d'utilisation et d'entretien. Après avoir vérifié la section "Dépannage", de l'aide supplémentaire peut être trouvée en vérifiant la section "Assistance ou service" ou en appelant Whirlpool. Aux É.-U., composer le **1-800-253-1301**. Au Canada, composer le **1-800-807-6777**. 8/05

Conservez ce manuel et votre reçu de vente ensemble pour référence ultérieure. Pour le service sous garantie, vous devez présenter un document prouvant la date d'achat ou d'installation.

Inscrivez les renseignements suivants au sujet de votre gros appareil ménager pour mieux vous aider à obtenir assistance ou service en cas de besoin. Vous devrez connaître le numéro de modèle et le numéro de série au complet. Vous trouverez ces renseignements sur la plaque signalétique située sur le produit.

Nom du marchand _____

Adresse _____

Numéro de téléphone _____

Numéro de modèle _____

Numéro de série _____

Date d'achat _____

