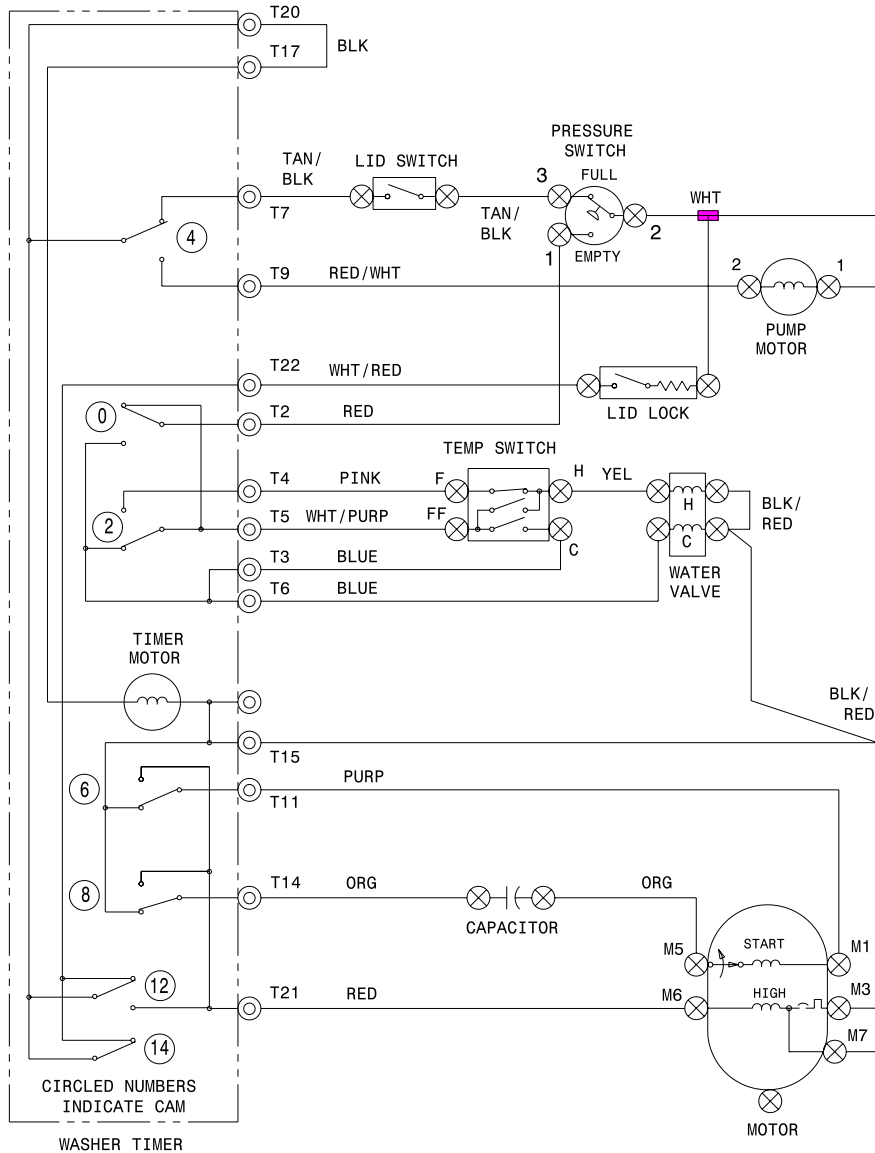
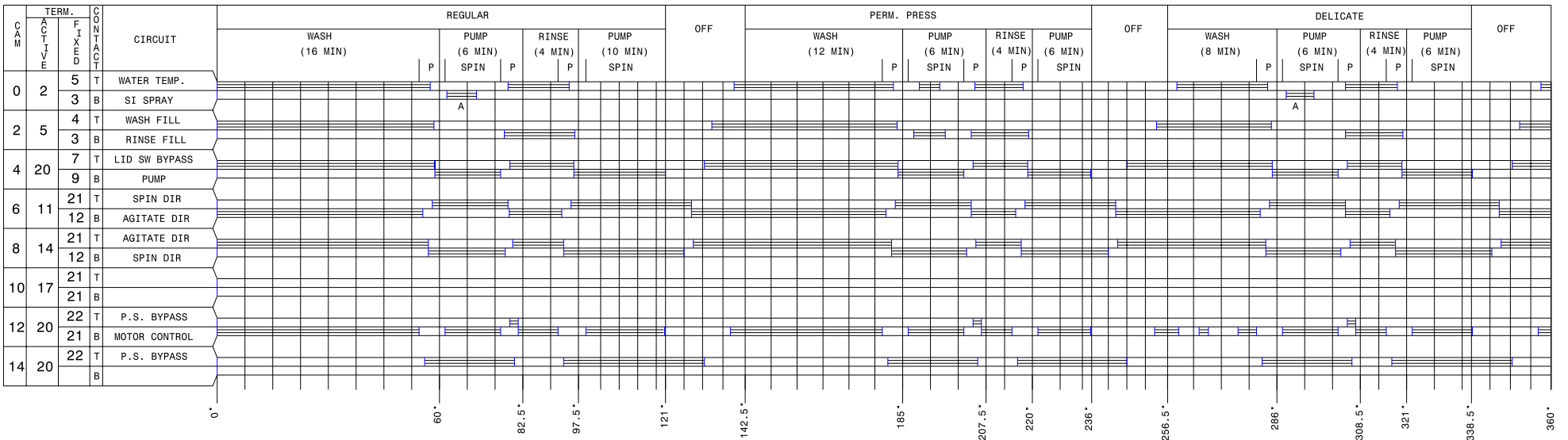
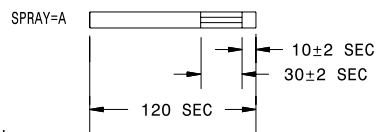


**CAUTION: DISCONNECT ELECTRIC CURRENT BEFORE SERVICING. LABEL ALL WIRES PRIOR TO DISCONNECTION WHEN SERVICING CONTROLS. WIRING ERRORS CAN CAUSE IMPROPER AND DANGEROUS OPERATION. VERIFY PROPER OPERATION AFTER SERVICING.**

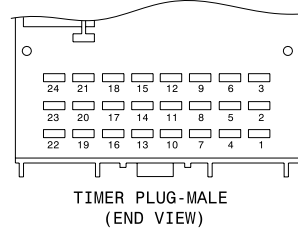


**SUBINTERVAL SPRAY DETAIL**



**WIRING CODES**

- ⊙ PLUG-IN TIMER
- ⊗ QUICK DISCONNECT TERMINAL
- CONNECTION
- + NO CONNECTION
- ⊕ MOTOR SWITCH
- SPLICE
- ⊖ MOTOR PROTECTOR
- ⊕ CHASSIS (CABINET) GROUND
- ⊙ SCREW TERMINAL
- HARNESS CONNECTOR TERMINAL
- ⊗ INSULATED TERMINAL



**TEMPERATURE SWITCH CIRCUIT**

WASH/RINSE	F-H	FF-H	FF-C
HOT/COLD	X		
WARM/WARM (OPT)		X	X
COLD/COLD			X
WARM/COLD	X		X

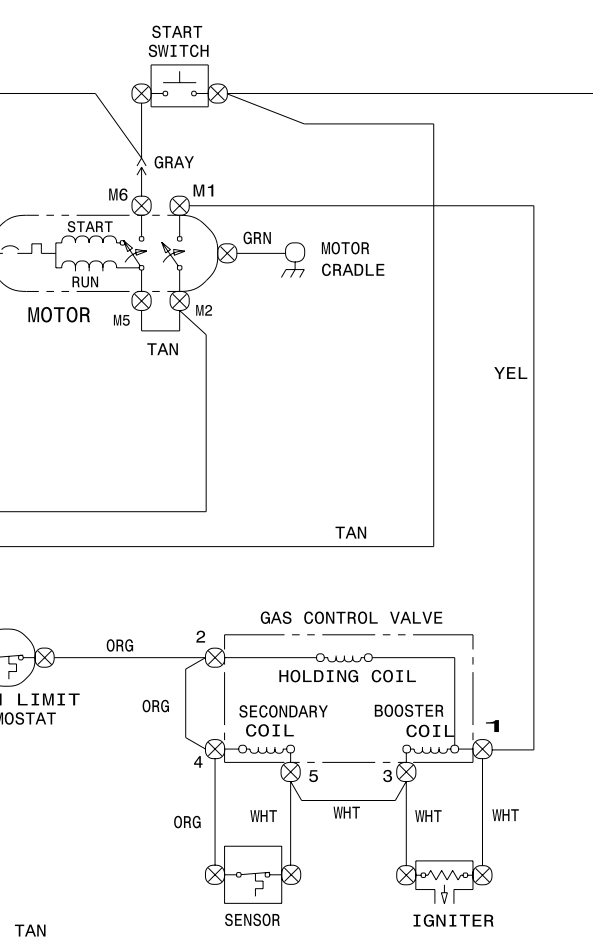
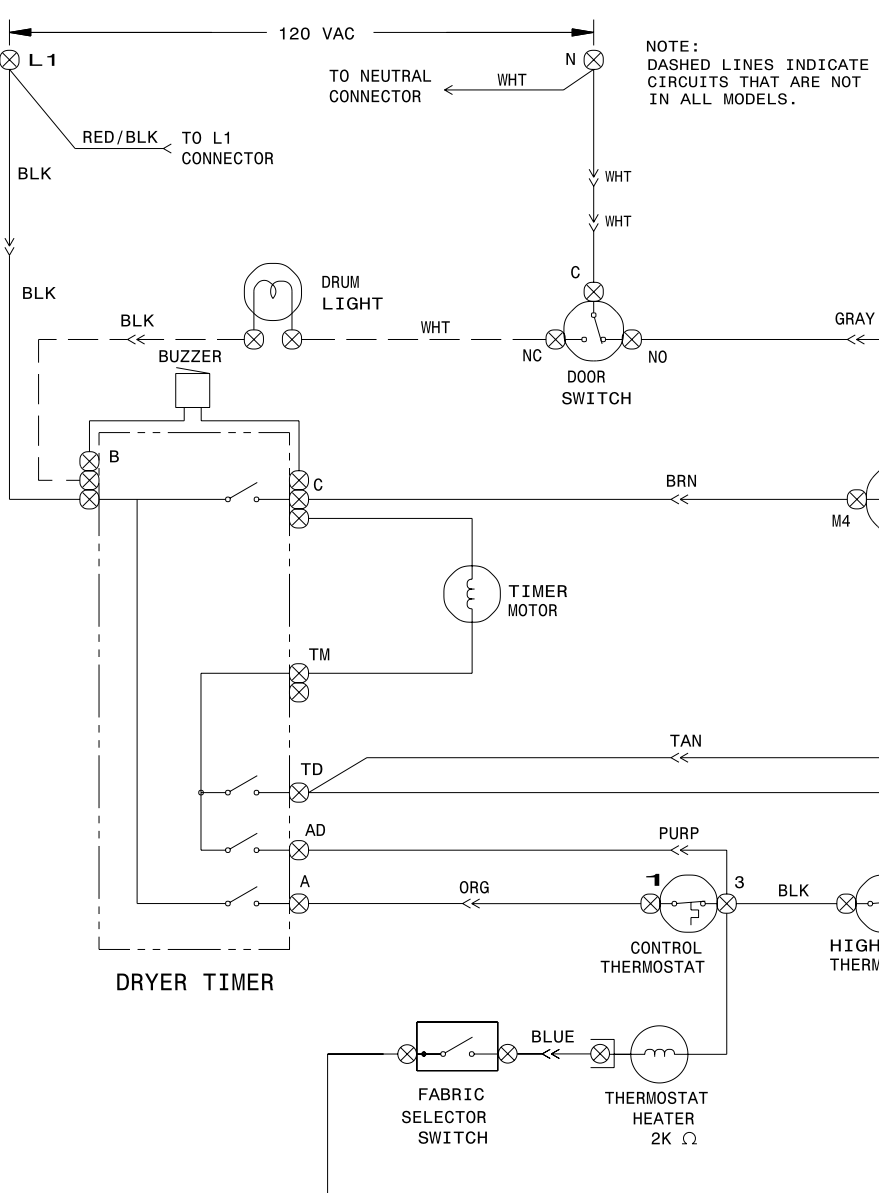
X=CLOSED

- NOTES:**
- ALL WIRING MUST CONFORM TO LOCAL ELECTRICAL CODES.
  - CONNECT DRYER TO 15 AMP INDIVIDUAL BRANCH CIRCUIT.
  - DRYER TIMER SHOWN IN OFF POSITION DOOR SWITCH CLOSED, MOTOR AT REST, AN THERMOSTAT CLOSED, AND FABRIC SELECTOR SWITCH AT HIGH HEAT.
- WASHER TIMER SHOWN IN ON POSITION TEMPERATURE SELECTOR SWITCH AT HOT WASH/COLD RINSE, AND PRESSURE SWITCH FULL.

**CYCLES**

CIRCUIT	AUTO DRY			OFF	TIMED DRY (MIN)							OFF
	31.7	15	0		105.3	90	75	60	45	30	15	
TIMER	TM-AD											
TIMER	TM-TD											
HEATER	B-A											
MOTOR	B-C											

BAR CHART ABOVE REPRESENTS ONE COMPLETE REVOLUTION OF TIMER SHAFT. SHADED PORTION OF BAR CHART INDICATES THE PROPORTIONAL TIMES THAT INTERNAL TIMER CONTACTS ARE CLOSED.



**FABRIC SELECTOR SWITCH**

POSITION	CIRCUIT
LOW HEAT	
HIGH HEAT	X

X=CLOSED