

GP94DNSRSA

GE® Indoor Tankless Water Heater

Dimensions and Installation Information (in inches)

Important: All units must be installed according to local codes.

Note: Before installing, consult installation instructions packed with product for current dimensional data.

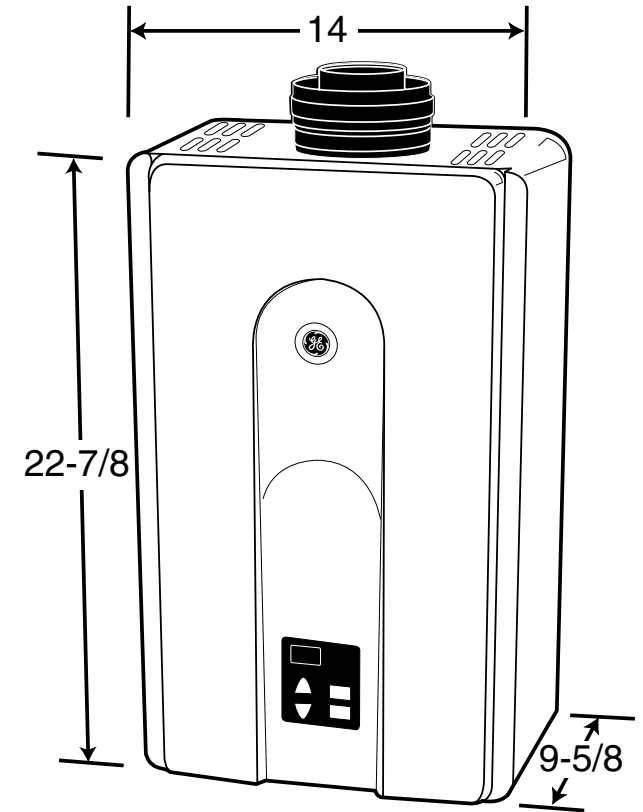
Parts Warranty: Limited 5 year; Limited 10 year Heat Exchanger

Labor Warranty: Limited 1 year Entire Appliance

Warranty Notes: Limited 1 year

Tankless gas water heater accessories

Model #	Description
AGTRC1	Direct-wire remote controller for point-of-use locations
AGTPCM	Pipe cover hides connections for seamless appearance
AGTDC1	Dual-connect cable to cascade 2 tankless units together
AGTCK1	Multi-connect kit with control board allows 3, 4 or 5 units to connect and operate as one unit using the add-on control board as a system hub. Requires 1 multi-connect cable (AGTMC1) for each unit added.
AGTMC1	Multi-connect cable to be used with AGTCK1 to connect 3, 4 or 5 units. One multi-connect kit required for each unit added.



For answers to your Monogram®, GE Profile™ or GE® appliance questions, visit our website at ge.com or call GE Answer Center® service, 800.626.2000.

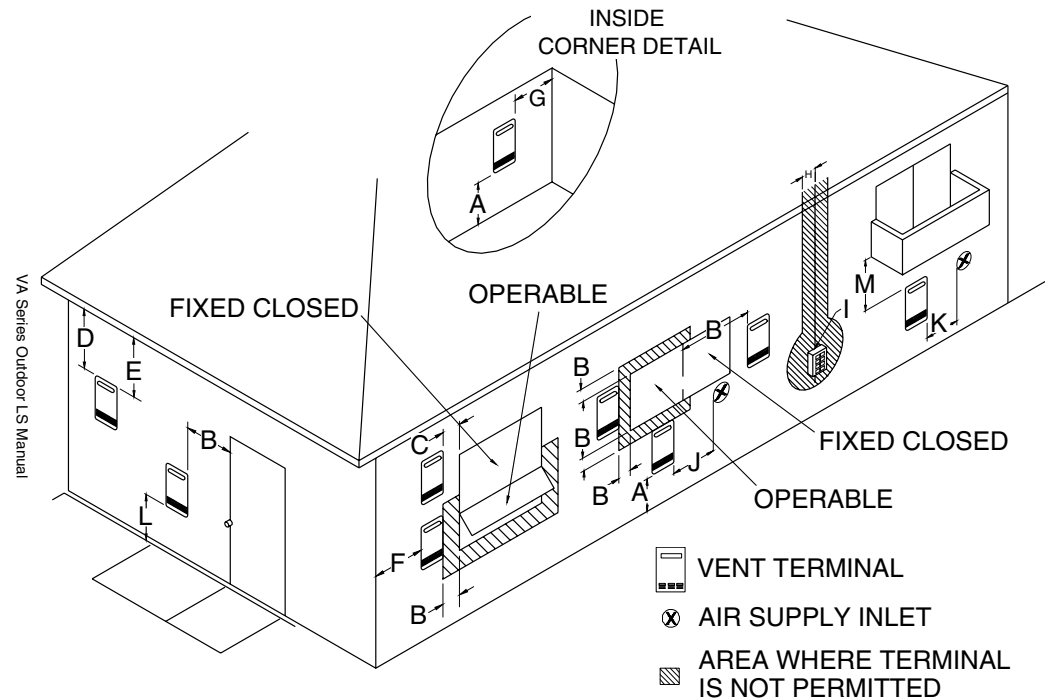


GP94DNSRSA GE® Indoor Tankless Water Heater

Dimensions and Installation Information (in inches)

Locating the Unit

- Install the unit in a location central to where hot water is used.
- Sizing guide is based on the following:
- In homes with large hot water demand consider locating the tankless hot water heaters in different parts of the home near the point of use for optimal performance (you may cascade up to 5 total units).
- If installing indoors, consider installing on an exterior wall to minimize vent length.
- The compact design allows several location options: closet, garage, basement laundry/mud room; even under stairs.



Flue Terminal Clearance Chart

Ref	Description	U.S. Installation Clearances Per ANSI Z21.10.3
A	Clearance above grade, veranda, porch, deck or snowline	36 inches (91 cm)
B	Clearance to window or door that may be opened	12 inches (30 cm)
C	Clearance to permanently closed window	*
D	Vertical clearance to ventilated soffit, located above the terminal within a horizontal distance of 2 feet (61 cm) from the center line of the terminal	*
E	Clearance to unventilated soffit	*
F	Clearance to outside corner	*
G	Clearance to inside corner	*
H	Clearance to each side of center line extended above meter/regulator assembly	*
I	Clearance to service regulator vent outlet	*
J	Clearance to non-mechanical air supply inlet to building or the combustion air inlet to any other appliance	12 inches (30 cm)
K	Clearance to a mechanical air supply	3 feet (91 cm) above if within 10 feet (3 m) horizontally
L	Clearance above paved sidewalk or paved driveway located on public property 1	*
M	Clearance under veranda, porch, deck or balcony 2	*

For answers to your Monogram®, GE Profile™ or GE® appliance questions, visit our website at ge.com or call GE Answer Center® service, 800.626.2000.

* For clearances not specified in ANZI Z223.1/NFPA 54, clearances are in accordance with local installation codes and the requirements of the gas supplier. Clearance to opposite wall is 24 inches (60 cm).

1 A Vent shall not terminate directly above a sidewalk or paved driveway that is located between two single family dwellings and serves both dwellings.

2 Permitted only if veranda, porch, deck or balcony is fully open on a minimum of two sides beneath the floor.



imagination at work

GP94DNSRSA GE® Indoor Tankless Water Heater

Dimensions and Installation Information (in inches)

Installation:

Planning for plumbing

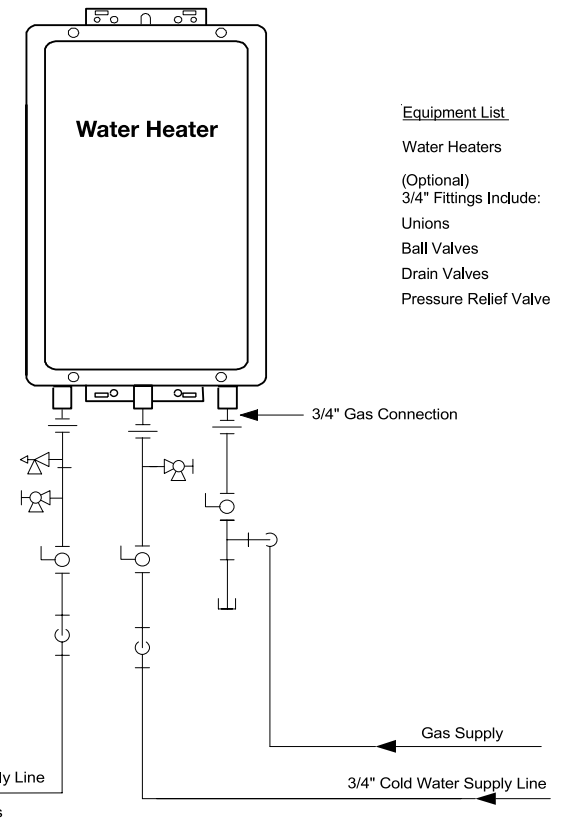
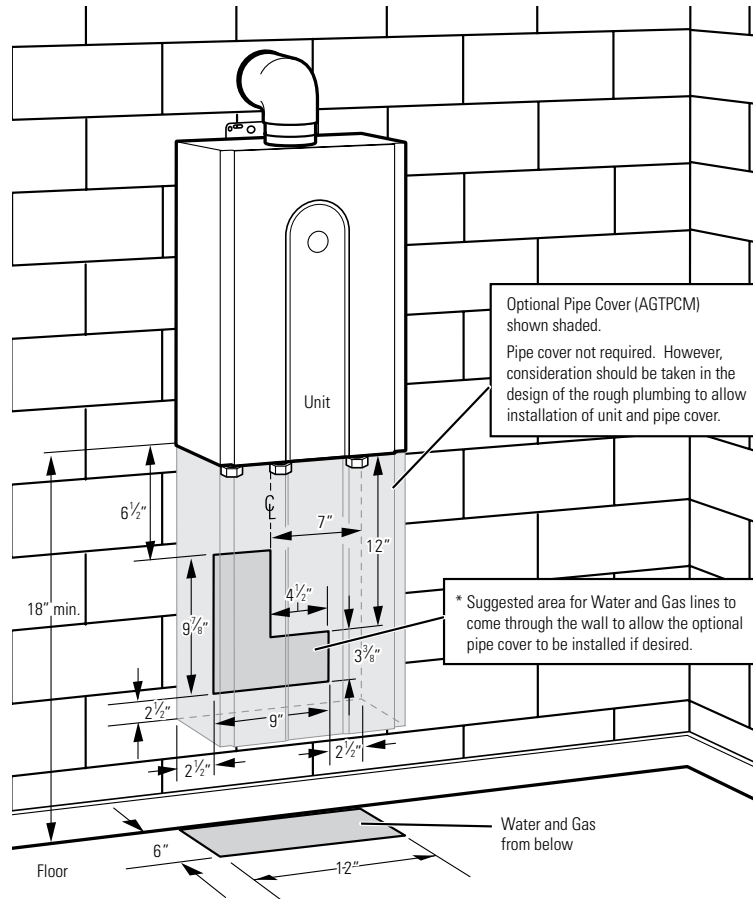
(shown with optional pipe cover)

The center of the pipes can be placed anywhere within the shaded area.

The center of the pipes is recommended to be protruding only within 6" of the mounting wall.

Be sure that the minimum elevation of the bottom of the unit is 18" to meet the 36" recommended clearance for the exhaust.

Note: It is recommended to install the bottom of the unit at least 18" off the ground to minimize blockage from debris and provide room for the optional Pipe Cover Accessory, AGTPCM.

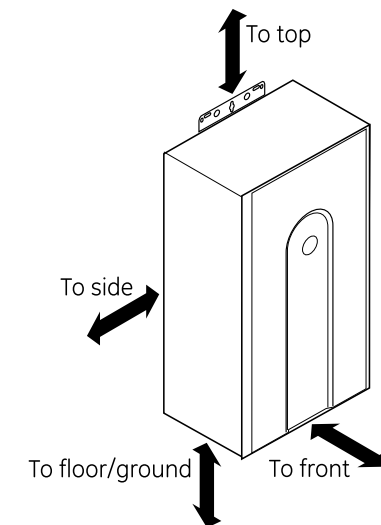


Equipment List	QTY
Water Heaters	1
(Optional) 3/4" Fittings Include:	
Unions	2
Ball Valves	2
Drain Valves	2
Pressure Relief Valve	1

For answers to your Monogram®, GE Profile™ or GE® appliance questions, visit our website at ge.com or call GE Answer Center® service, 800.626.2000.

Clearances for tankless gas water heater (inch/mm)

	To combustibles	To non combustibles	For servicing and operation
Top of heater	12 (305)	2 (51)	2 (51)
Back of heater	0 (0)	0 (0)	0 (0)
Front of heater	24 (610)	24 (610)	24 (610)
Sides of heater	6 (152)	1/2 (13)	1/2 (13)
Floor/Ground	12 (305)	2 (51)	2 (51)



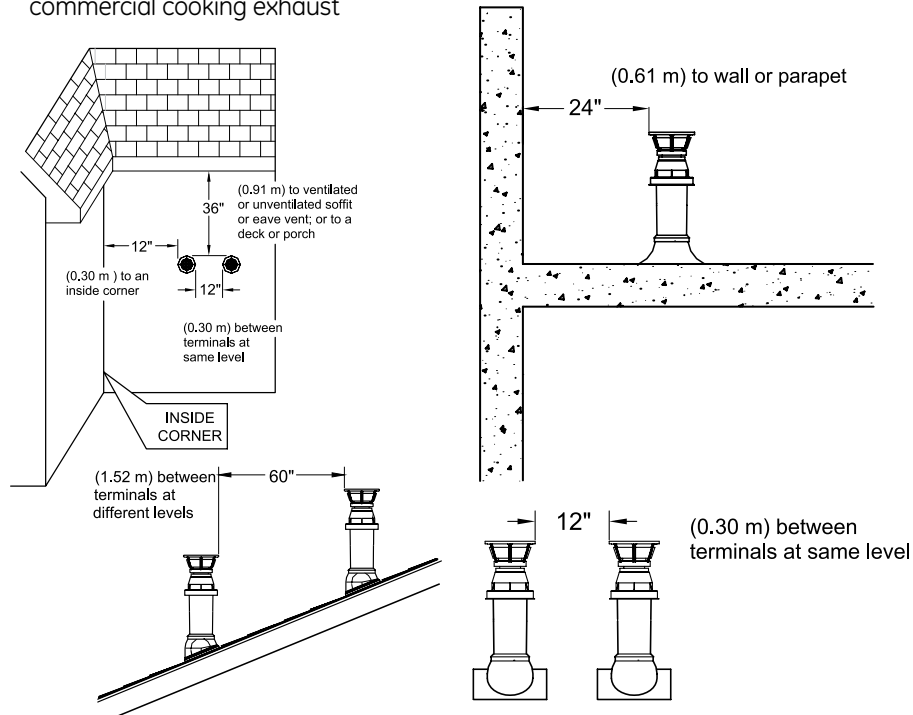
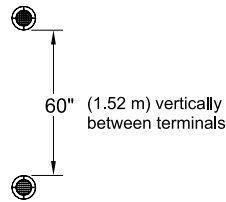
GP94DNSRSA GE® Indoor Tankless Water Heater

Dimensions and Installation Information (in inches)

Additional clearances—vent terminal

These clearances are applicable to both concentric termination and non-concentric vent exhaust terminations.

- Avoid termination locations near a dryer vent.
- Avoid termination locations near commercial cooking exhaust



For answers to your Monogram®, GE Profile™ or GE® appliance questions, visit our website at ge.com or call GE Answer Center® service, 800.626.2000.



Vent Length Calculations

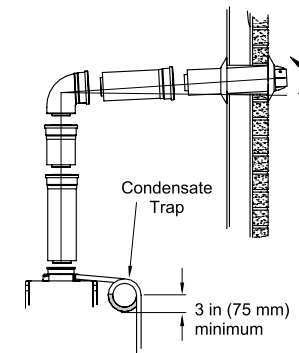
Maximum System performance is achieved at a vent length of 21 equivalent feet or less. The system is capable of 41 equivalent feet length if required, but this reduces system performance. For vent length calculations, a 90° elbow counts as 6 feet and a 45° elbow counts as 3 feet—see the chart below.

Concentric Vent Piece	Equivalent Length
Straight	1 ft (per foot length)
90° elbow	6 ft each
45° elbow	3 ft each

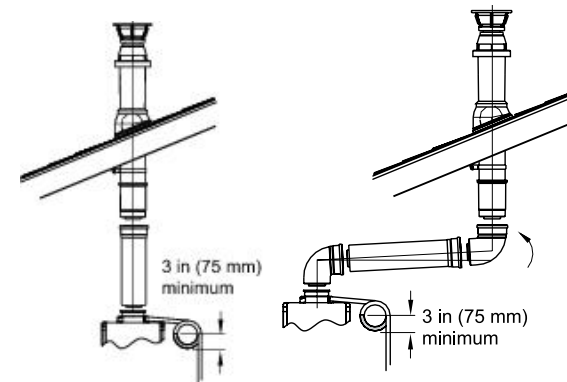
Total vent length = straight ft + 90° elbows x 6 ft + 45° elbow x 3ft

Note: Vent dimensions = up to 5 3/4 inches. Please read vent supplier's installation manual for specific dimensions.

FLUE INSTALLATION - CONDENSATE DRAIN HORIZONTAL TERMINATION WITH A CONDENSATE DRAIN



VERTICAL TERMINATION (condensate collector required in all installations)



GP94DNSRSA GE® Indoor Tankless Water Heater

Features and Benefits

- Continuous Hot Water*
 - Energy Savings - Save up to 25% annually on your water heating bill**
 - Compact Design - Frees up floor space with wall-mounted installation
 - Installation Flexibility - Can be wall-mounted in many areas of the home
 - Helps to Avoid Carbon Emissions - Up to 25% tied to your water heating compared to a standard 40-gallon gas tank model based on Department of Energy testing
 - Demand-Activated Technology - Only heats the water when needed
 - Precise Temp - Within +/- 3° F
 - Freeze Protect - Protects your water heater from freezing at temperatures that can drop as low as -30° F
 - A Product of EcomaginationSM
 - Model GN94DNSRSA - Silver metallic
- * Flow rates may diminish based on simultaneous use of multiple showers/baths and/or appliances
- ** Compared to a standard 40-gallon gas tank model based on 2007 fuel costs per DOE testing

