



# **KitchenAid®**

DISHWASHER - SINK  
COMBINATION

*KDC-38 & KDS-38*

## **INSTALLATION INSTRUCTIONS**

### **MR. INSTALLER: FINAL CHECK LIST**

#### **PLACEMENT OF DISHWASHER - SINK COMBINATION**

- 1. Remove corrugated motor block packing from rear of unit after dishwasher is removed from skid.
- 2. Properly positioned—level, aligned and square with cabinet opening.
- 3. Anchored securely, either to cabinet or floor.
- 4. Installation debris removed from under dishwasher.

#### **ELECTRICAL CONNECTION**

- 1. Separate 115 volt, 60 hertz, 1 phase branch circuit with a 15 ampere minimum protected by a maximum of 15 ampere fuse size.
- 2. Dishwasher properly grounded.
- 3. All connections in conformance with local electrical code.

#### **PLUMBING**

- 1. Water supply at dishwasher: 20 to 120 P.S.I. pressure, temperature of 140° F. to 160° F. and 1/2" O.D. (min.) copper tube.
- 2. Drain lines at least 5/8" O.D. copper tubing or equivalent without drain air gap and with no tight bends (kinks) or other restrictions to prevent complete draining.
- 3. Drain lines at least 9/16" I.D. copper tubing or equivalent with drain air gap and with no tight bends (kinks) or other restrictions to prevent complete draining.
- 4. Compliance with all aspects of local plumbing code.
- 5. Make sure drain hose does not touch any electrical components or terminals.

#### **OPERATIONAL**

- 1. All internal packing material, labels, and foam door pads removed.  
Place detergent in both compartments of detergent dispenser, close cover(s) and operate dishwasher through complete "Normal Cycle." Note: KDC has cover over only one of two compartments.

Check: Proper Fill—Water level approximately 1-1/2" below centerline of 4 Way Hydro Sweep hub. Complete Drain.

Detergent Dispenser—must operate automatically and completely dispense detergent.

Dishracks, for freedom of movement and adjustment.

### **THANK YOU MR. INSTALLER:**

1. Complete Installation Check List.
2. Leave all literature (Incl. Check List) for customer.
3. Notify dealer that electrical work and plumbing are completed.

**FOR DETAILED INSTRUCTIONS, FOLLOW METHODS DESCRIBED IN THIS FOLDER**

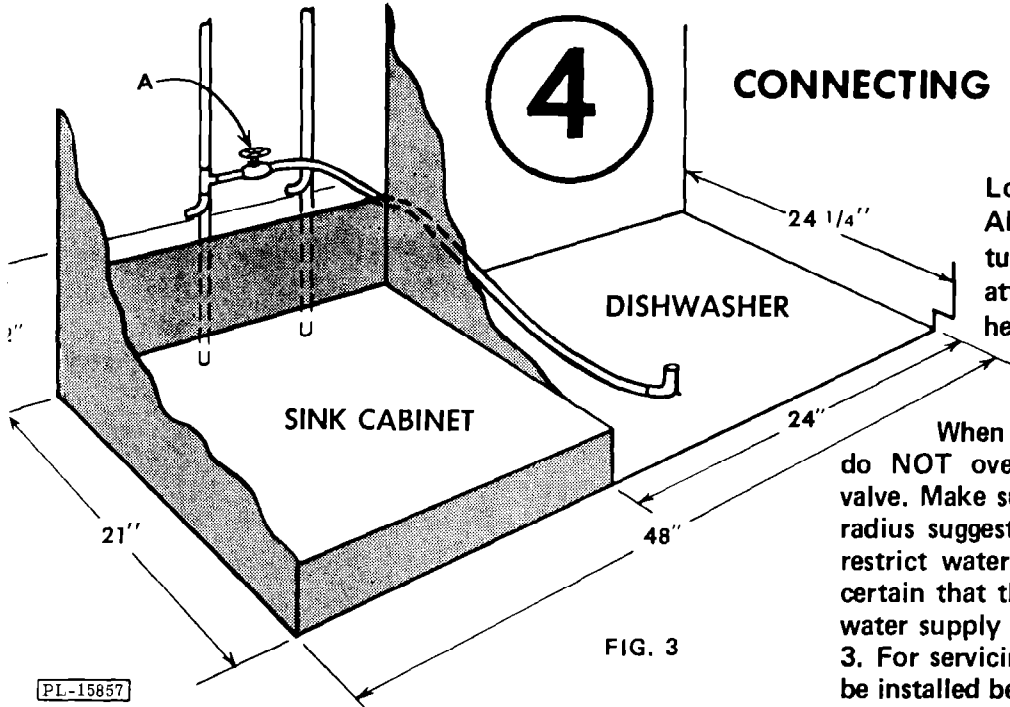


# 3

## LOCATING WIRING

Before setting dishwasher in place, run individual 15 amp. minimum branch circuit with grounded electrical cable.

**CAUTION:** No other outlets or appliances should be placed on this circuit.



# 4

## CONNECTING FILL LINE

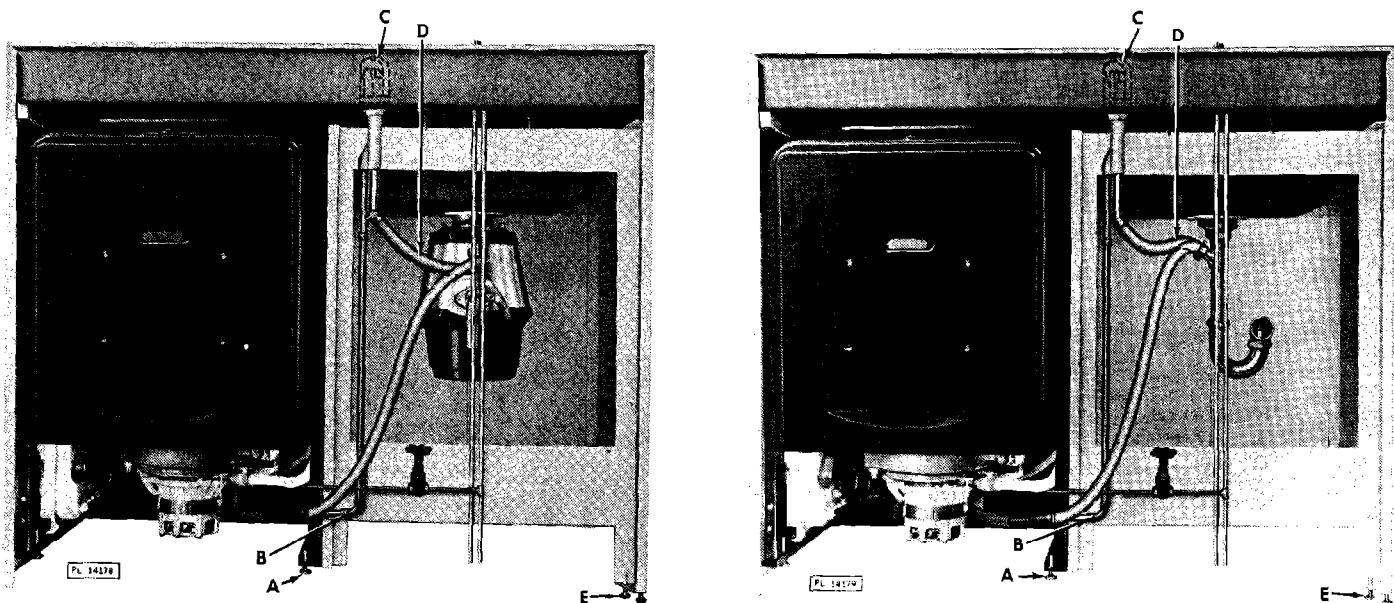
Locate hot and cold water lines as in Fig. 3. All sweat fittings for 1/2" O.D. copper tubing must be sweat into place before attaching to dishwasher to prevent excess heat on fill valve.

When connecting fill line to dishwasher fill valve, do NOT overtighten fitting which could damage fill valve. Make sure line has no sharp bends (5" min. bend radius suggested) that may produce kinks which might restrict water flow. Connect all water fill lines making certain that there is a hand shut off valve (A) in the hot water supply line to the dishwasher as illustrated in Fig. 3. For servicing dishwasher, it is recommended a union be installed between shut off valve and fill valve.

PL-15857

FIG. 3

**NOTE: Do Not Kink Drain Hose.**  
**Minimum Size For All Dishwasher Drains Is 9/16" I.D.**



B—5/8" O.D. COPPER TUBING—NOT FURNISHED.  
 C—An adapter may be required if air gap is used (not furnished).  
 D—Flexible drain connection, where permitted by local plumbing codes must be 9/16" I.D. minimum.

FIG. 4

# 5

## CONNECTING DRAIN LINE

Dishwasher has pump out drain. Except during drain periods, drain valve is closed thus protecting the dishwasher from normal back flow from drain line. Connect dishwasher drain to meet local code. Do not install

check valve in drain line. See suggested installation (Fig. 4 and 5). Where drain air gap is required by local code, use type approved. Opening is provided on top of sink. When connecting dishwasher drain to a food waste

disposer, be sure to remove the knock-out (or threaded) plug in the disposer to insure proper drainage. **CAUTION:** Make sure drain hose does not touch any electrical components or terminals.

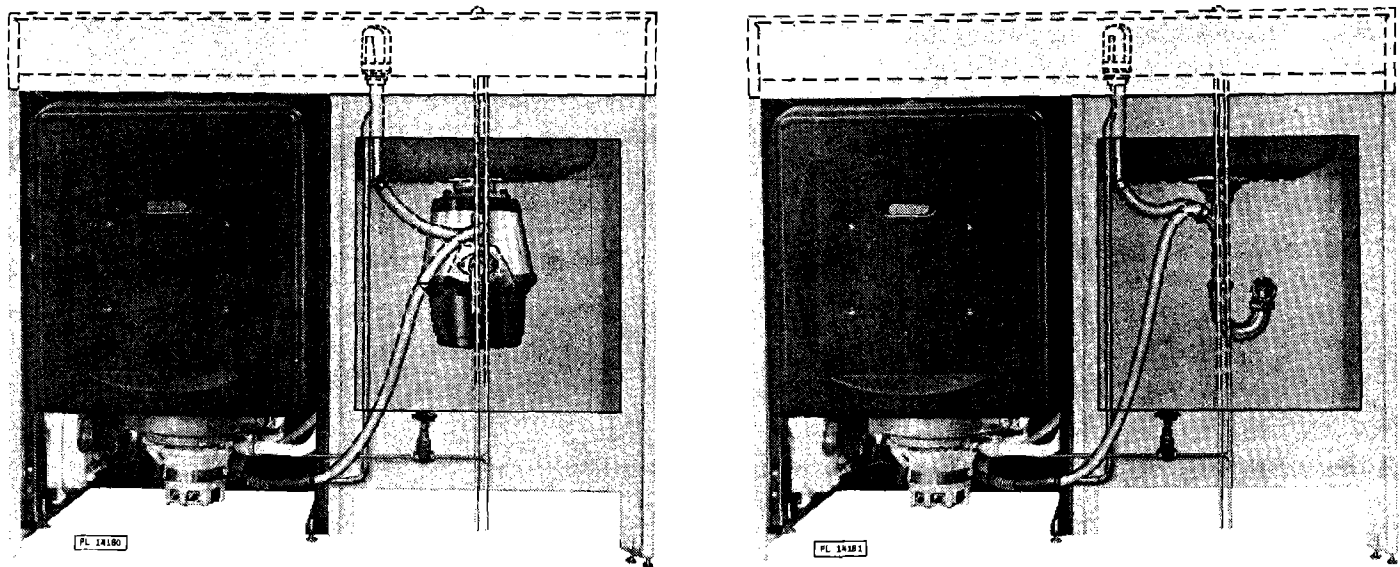


FIG. 5

Dotted lines indicate sink tops with and without disposer.

# 6

## FINAL POSITIONING

Remove corrugated motor block packing after dishwasher is removed from skid. With unit in position, make sure it is level.

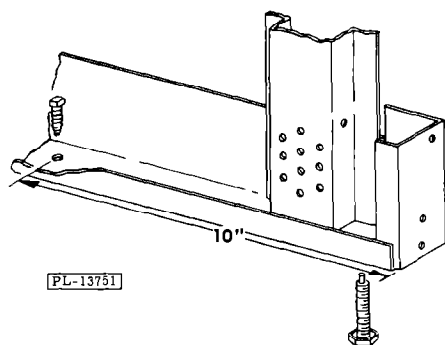


FIG. 6

**CAUTION:** Since dishwasher is attached to sink cabinet, any required dishwasher leveling feet adjustment, should be done with extreme care to avoid possible misalignment of sink cabinet doors. Starting from the center of the dishwasher-sink, adjust the front and rear leveling feet (A, Fig. 4), then outside leveling feet. Cabinet doors should be perpendicular with cabinet opening and level across the top. If necessary, dishwasher leveling feet should be readjusted to attain correct cabinet door alignment. Cabinet leveling feet (E, Fig. 4) must be adjusted to complete final leveling. It may be necessary to anchor dishwasher to floor using 1/4" lag bolts or screw in hole provided. If required, use molding (furnished by installer) to cover any gap on either side of unit.

# 7

## IMPORTANT FOR SAFETY

### CONNECT TO ELECTRICAL POWER AND GROUND

A—Remove junction box on dishwasher. B—Install approved connector (not furnished). C—Connect power cable white lead to white lead and black lead to black lead with adequate insulation or wire nuts and ground wire under green ground screw or lug. Reinstall junction box.

When house wiring is aluminum, use U.L. approved aluminum to copper connectors.

The dishwasher must be properly grounded before operating by connecting the chassis ground lug terminal to a suitable ground complying with National Electrical Code and/or local electrical code.

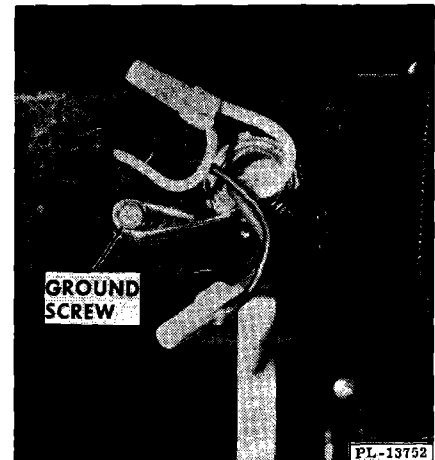


FIG. 7

# 8

## TESTING INSTALLATION

Remove installation debris from under dishwasher, foam door pads on each side and near top of tank, and all internal packing material and labels. NOTE: DO NOT REMOVE DOOR BUMPER.

Turn on electrical power and water supply. Turn Action Indicator clockwise to the OFF position (Custom model). On Superba model, press "Cancel-Drain" button; timer will advance to "OFF" automatically. Lift door handle. Wait for Timer to automatically reset itself (necessary for initial installation test of Superba only).

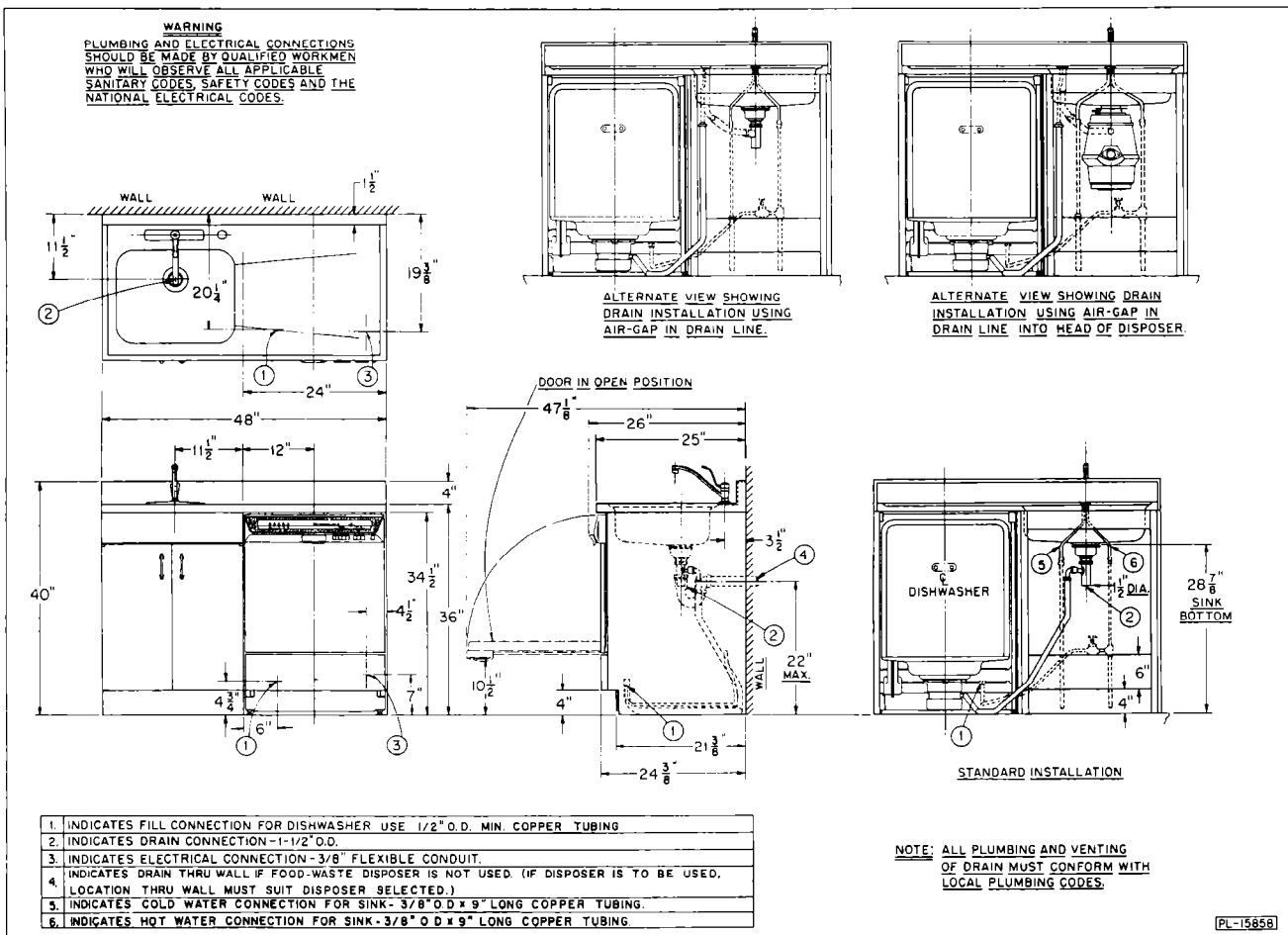
Then, push door handle down to lock position and press "Normal Cycle" button on Custom model. Press "Sani-Cycle" button on Superba. Run dishwasher through the complete cycle to make certain it is operating properly. Turn off electrical power and check for leaks. If no leaks, turn on electrical power.

# CAUTION

For installation when the dishwasher is to be left unused in freezing temperatures: Turn off electrical power. Shut off water supply at the hand valve. Remove lower panel. Disconnect both inlet and outlet lines at the DRAIN valve. This permits water to drain from the dishwasher tank, pump and drain line. Disconnect both the inlet and outlet lines at the FILL valve. Make provisions to control water drained from unit. Reinstall lower panel. Turn on electrical power. Then, push door handle down to lock position and push "Normal Cycle" button. Let dishwasher run through first pre-rinse only (approximately four minutes) to drain all water trapped in the dishwasher. Turn off electricity. To complete installation later:

Connect drain and fill valves—both inlet and outlet.  
Reinstall lower panel.  
Turn on water and electrical supply. Then push button for cycle desired.

## DETAILS AND CONNECTIONS



### KDC-38 & KDS-38 BASIC DIMENSIONS

KITCHENAID DIVISION



TROY, OHIO 45374

4177825