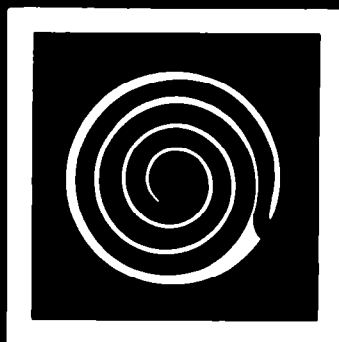


# **Installation Instructions**



**for  
your new**



**Whirlpool**

**Electric Built-In  
Modular Cook Top**

**BEFORE YOU BEGIN** read the following instructions completely and carefully. If followed they will simplify the installation job.  
**THIS UNIT MUST BE INSTALLED WITH A WHIRLPOOL HIGH PERFORMANCE HOOD.**

**IMPORTANT: OBSERVE ALL GOVERNING CODES AND ORDINANCES**

**SAVE THESE INSTRUCTIONS FOR THE LOCAL ELECTRICAL INSPECTOR'S USE.**

**STEP 1**

**ELECTRICAL REQUIREMENTS**

A three-wire or four-wire single phase 120/240 volt 60 Hz AC only electrical supply is required on a separate circuit fused on both sides of the line (time-delay fuse or circuit breaker is recommended). Do NOT fuse neutral. The fuse size must not exceed the circuit rating of the appliance specified on the nameplate. NOTE: Wire sizes and connections must conform with the fuse size and rating of the appliance in accordance with the National Electrical Code and local codes and ordinances. Do not use an extension cord.

The appliance should be connected to the fused disconnect (or circuit breaker) box through flexible armored or non-metallic sheathed cable. The flexible armored cable extending from the appliance should be connected directly to the junction box. The junction box should be located as shown in Figure 1 so that as much slack as possible remains in the cable between the box and the appliance so that it can be moved if servicing is ever necessary.

A suitable strain relief must be provided to attach the power supply cord to the junction box.

**STEP 2**

**CARPENTRY**

See Figure 1 for the dimensions of typical counter top cut-out. The cut-out must be located so that when the cook top is set in place there is at least 1 inch between the rear edge of the cook top and any combustible surface above the counter top. A 6 inch space must

be left between the side(s) of the cook top and any vertical wall or cabinet extending above the upper edge of the cook top. This built-in cook top has a shallow burner box (4") which allows the unit to be mounted above the cabinet drawers that are more than 4 inches below the top of counter top.

**STEP 3**

**ELECTRICAL CONNECTION**

First lay a piece of cardboard (packing carton) about the size of the built-in cook top (20" x 30" or 20" x 45") on the counter top adjacent to the cut-out for protection to the finish of the counter top. Second, place the built-in cook top on the cardboard. Next connect the flexible armored cable that extends from the surface unit to the junction box using a suitable strain relief at the point the armored cable enters the junction box. Then make the electrical connection as follows:

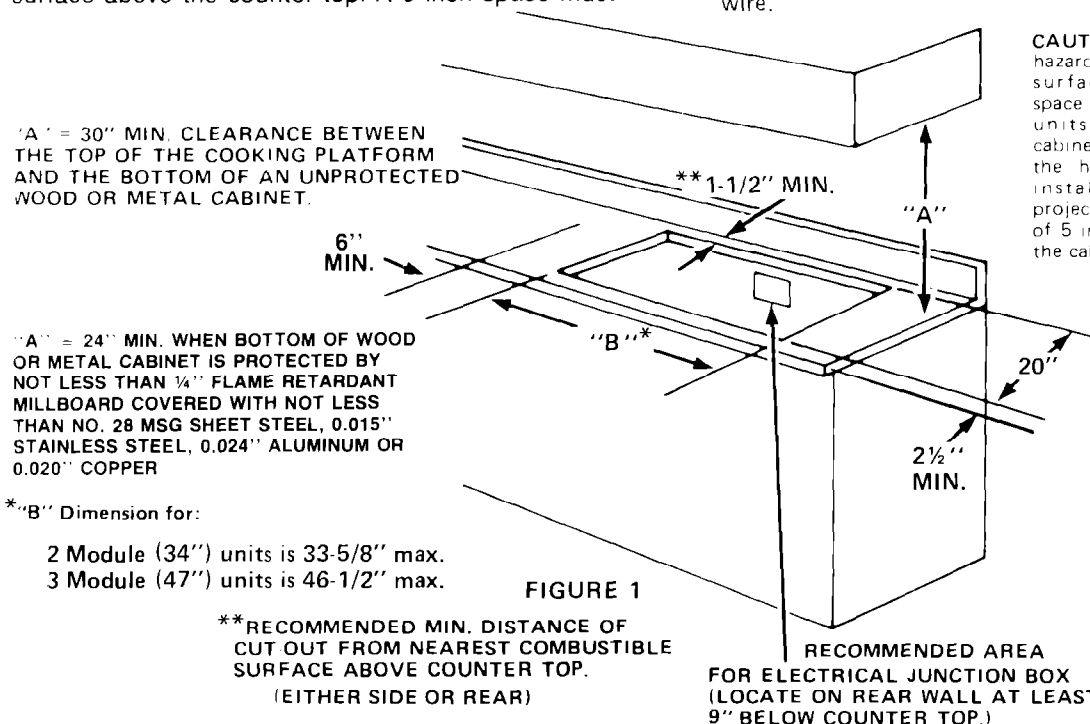
**ELECTRICAL CONNECTION**

It is the personal responsibility and obligation of the customer to contact a qualified installer to assure that the electrical installation is adequate and is in conformance with the National Electrical Code and local code ordinances.

Electrical ground is required on this appliance.

This appliance is equipped with copper lead wires. If connection is made to aluminum house wiring, use only special connectors which are approved for joining copper and aluminum wires in accordance with the National Electrical Code and local codes and ordinances. This appliance is manufactured with a white neutral power supply wire and a frame connected bare ground wire.

**CAUTION:** To eliminate the hazard of reaching over heated surface units, cabinet storage space located above the surface units should be avoided. If cabinet storage is to be provided, the hazard can be reduced by installing a range hood that projects horizontally a minimum of 5 inches beyond the bottom of the cabinets.



# C H E C K   O P E R A T I O N

**REFER TO USE AND CARE GUIDE PACKAGED WITH THE BUILT-IN COOK TOP TO CHECK FOR PROPER CARE AND CLEANING OF YOUR BUILT-IN COOK TOP.**

CAUTION: Do not touch the elements. They may be hot and you may get burned.

1. Turn on each of the four (4) surface elements and check to see that they heat. Check the surface element indicator lights.
2. On models so equipped, check the grill by turning on the grill control switch (refer to use and care guide for details), and checking to see that the grill heats and that the indicator light is "on."

## BEFORE YOU CALL FOR SERVICE

**CHECK TO MAKE SURE THE HOUSE FUSE OR CIRCUIT BREAKER FOR YOUR BUILT-IN COOK TOP IS NOT BLOWN OR OPEN.**


**MAKE SURE THE SURFACE ELEMENTS ARE PROPERLY PLUGGED INTO THEIR RECEPTACLES.**

*MY SELLING DEALER*

NAME \_\_\_\_\_

ADDRESS \_\_\_\_\_

PHONE \_\_\_\_\_



In the event of your WHIRLPOOL appliance should need service, call the dealer from whom you purchased the appliance or a WHIRLPOOL franchised TECH-CARE service company listed in the Yellow Pages of your telephone directory listed under "Appliance, Household, Major, service and repair." You can also obtain this name on 1 number by dialing, free, within the continental United States (except Alaska) the Whirlpool COOL LINE® Service (800) 253-1301, when calling from Michigan, dial (800) 632-2443, from Alaska or Hawaii, dial (800) 253-1121. Dial just as you normally dial long distance. A special operator will tell you the name and number of your nearest Whirlpool TECH-CARE service outlet. During normal working hours, Whirlpool consultants at this same number will also answer any questions about operating or maintaining your appliance not covered in your Operating Instructions.

Learn the benefits of using TECH-CARE service for maintaining the quality of any built into your WHIRLPOOL appliance.



WHIRLPOOL CORPORATION • BENTON HARBOR, MICHIGAN • 49022

If local codes permit connection of the frame grounding conductor to the neutral (white wire), connect the bare and white wire from the supply cable of the appliance together and to the neutral (white) wire in the junction box. Connect the remaining wires from the supply cable, matching the colors, to the wires in the junction box.

If used in a mobile home or if local codes DO NOT permit frame grounding to the neutral, separate the white and bare wires that extend out of the end of the supply cable of the appliance. Connect the white wire from the supply cable to the neutral wire in the junction box. Connect the black and red wire from the supply cable, matching the colors, to the corresponding wires in the junction box. The bare wire must now be used to ground the appliance in accordance with local electrical codes. Connect the bare copper ground wire to a grounded cold water pipe\* or to the grounded lead in the service panel. Do not ground to a gas supply pipe. Do not connect to electric power supply until appliance is permanently grounded. Connect the ground wire before turning on the power. See Figure 2.

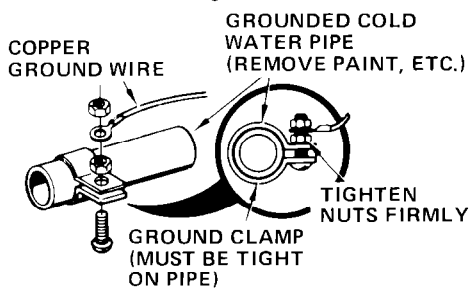


FIGURE 2

\*Cold water pipe must have metal continuity to electrical ground and not be interrupted by plastic, rubber or other electrically insulating connectors (including water meter or pump) without adding a jumper wire at these connections.

**CAUTION:** If connecting to a four-wire electrical system (MOBILE HOME) the appliance frame MUST NOT be connected to the neutral wire of the four-wire electrical system. Separate the white and bare wires that extend out of the end of the supply cable of the appliance. Connect the white red and black wires from the supply cable, matching the colors, to the corresponding wires in the junction box. Connect the bare wire from the supply cable to the ground wire in the junction box.

#### STEP 4

First, visually inspect the mounting rim of the cook top for damage.

Next, apply a generous bead of NON-HARDENING caulking compound around the counter top cutout. The bead must be continuous to form a water tight seal. See Figure 3.

#### STEP 5

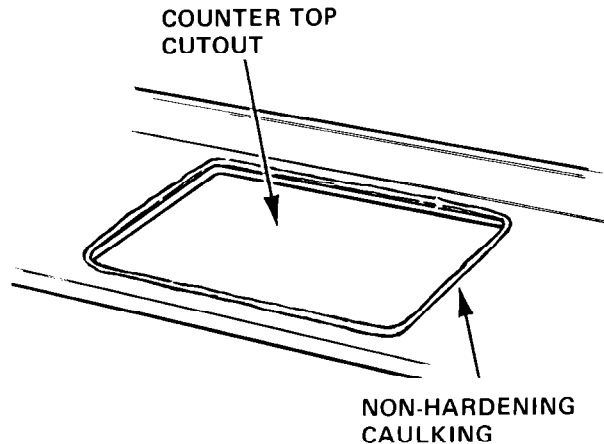


FIGURE 3

#### STEP 6

Set the built-in cook top into the counter top cut-out. Then remove any excess caulking compound from the counter top and mounting rim.