

# INSTALLATION INSTRUCTIONS

## 30" (76.2 CM) DOUBLE OVEN DUAL FUEL RANGES

## INSTRUCTIONS POUR L'INSTALLATION DES CUISINIÈRES

## À BI-COMBUSTIBLE ET FOUR DOUBLE DE 30" (76,2 CM)

### Table of Contents

<b>RANGE SAFETY</b> .....	<b>2</b>
<b>INSTALLATION REQUIREMENTS</b> .....	<b>4</b>
Tools and Parts.....	4
Location Requirements .....	4
Electrical Requirements - U.S.A. Only .....	6
Electrical Requirements - Canada Only .....	7
Gas Supply Requirements .....	7
<b>INSTALLATION INSTRUCTIONS</b> .....	<b>9</b>
Unpack Range .....	9
Adjust Leveling Legs .....	9
Install Anti-Tip Bracket .....	10
Electrical Connection - U.S.A. Only .....	11
Make Gas Connection.....	16
Verify Anti-Tip Bracket Location .....	17
Level Range .....	17
Electronic Ignition System.....	18
Complete Installation.....	18
<b>GAS CONVERSIONS</b> .....	<b>19</b>
LP Gas Conversion.....	19
Natural Gas Conversion .....	20
Moving the Range .....	22

### Table des matières

<b>ÉCURITÉ DE LA CUISINIÈRE</b> .....	<b>24</b>
<b>EXIGENCES D'INSTALLATION</b> .....	<b>26</b>
Outils et composants.....	26
Exigences d'emplacement .....	26
Spécifications électriques.....	28
Spécifications de l'alimentation en gaz .....	29
<b>INSTRUCTIONS D'INSTALLATION</b> .....	<b>31</b>
Déballage de la cuisinière.....	31
Réglage des pieds de nivellement.....	31
Installation de la bride antibasculement .....	32
Raccordement au gaz.....	33
Vérification de l'emplacement de la bride antibasculement .....	34
Réglage de l'aplomb de la cuisinière.....	34
Système d'allumage électronique .....	34
Achever l'installation .....	35
<b>CONVERSIONS DE GAZ</b> .....	<b>36</b>
Conversion pour l'alimentation au gaz propane .....	36
Conversion pour l'alimentation au gaz naturel.....	37
Déplacement de la cuisinière.....	39

**IMPORTANT:**

Save for local electrical inspector's use.

**IMPORTANT :**

À conserver pour consultation par l'inspecteur local des installations électriques.

# RANGE SAFETY

## Your safety and the safety of others are very important.

We have provided many important safety messages in this manual and on your appliance. Always read and obey all safety messages.



This is the safety alert symbol.

This symbol alerts you to potential hazards that can kill or hurt you and others.

All safety messages will follow the safety alert symbol and either the word "DANGER" or "WARNING."

These words mean:

**⚠ DANGER**

You can be killed or seriously injured if you don't immediately follow instructions.

**⚠ WARNING**

You can be killed or seriously injured if you don't follow instructions.

All safety messages will tell you what the potential hazard is, tell you how to reduce the chance of injury, and tell you what can happen if the instructions are not followed.

**WARNING: If the information in this manual is not followed exactly, a fire or explosion may result causing property damage, personal injury or death.**

- Do not store or use gasoline or other flammable vapors and liquids in the vicinity of this or any other appliance.
- **WHAT TO DO IF YOU SMELL GAS:**
  - Do not try to light any appliance.
  - Do not touch any electrical switch.
  - Do not use any phone in your building.
  - Immediately call your gas supplier from a neighbor's phone. Follow the gas supplier's instructions.
  - If you cannot reach your gas supplier, call the fire department.
- Installation and service must be performed by a qualified installer, service agency or the gas supplier.

**WARNING:** Gas leaks cannot always be detected by smell.

Gas suppliers recommend that you use a gas detector approved by UL or CSA.

For more information, contact your gas supplier.

If a gas leak is detected, follow the "What to do if you smell gas" instructions.

In the State of Massachusetts, the following installation instructions apply:

- Installations and repairs must be performed by a qualified or licensed contractor, plumber, or gasfitter qualified or licensed by the State of Massachusetts.
- If using a ball valve, it shall be a T-handle type.
- A flexible gas connector, when used, must not exceed 3 feet.

## **⚠ WARNING**

### **Tip Over Hazard**

**A child or adult can tip the range and be killed.**

**Connect anti-tip bracket to rear range foot.**

**Reconnect the anti-tip bracket, if the range is moved.**

**Failure to follow these instructions can result in death or serious burns to children and adults.**



# INSTALLATION REQUIREMENTS

## Tools and Parts

Gather the required tools and parts before starting installation. Read and follow the instructions provided with any tools listed here.

### Tools needed

- Tape measure
- Phillips screwdriver
- T20 Torx<sup>†</sup> screwdriver
- Flat-blade screwdriver
- 1/8" flat-blade screwdriver
- Level
- Hand or electric drill
- Wrench or pliers
- Pipe wrench
- 15/16" combination wrench
- 1/8" (3.2 mm) drill bit
- 3/8" nut driver
- Marker or pencil
- Pipe-joint compound resistant to LP gas
- Noncorrosive leak-detection solution

### For LP/Natural Gas Conversions

- 1/2" combination wrench
- 9/32" (7.0 mm) nut driver
- Masking tape

### Parts supplied

Check that all parts are included.

- 3 - 10-32 hex nuts (attached to terminal block)
- 3 - Terminal lugs
- LP/Natural Gas Conversion Kit (located on back of range near lower side)
- Burner grates
- Burner caps
- Oven racks
- 2 - #12 x 1 5/8" screws (for mounting anti-tip bracket)
- Anti-tip bracket (taped inside upper oven with literature package)

Anti-tip bracket must be securely mounted to the back wall or floor. Thickness of flooring may require longer screws to anchor bracket to subfloor. Longer screws are available from your local hardware store.

### Parts needed

#### If using a power supply cord:

- A UL listed power supply cord kit marked for use with ranges. The cord should be rated at 250 volts minimum, 40 amps or 50 amps that is marked for use with nominal 1 3/8" (3.5 cm) diameter connection opening and must end in ring terminals or open-end spade terminals with upturned ends.
- A UL listed strain relief.

Check local codes and consult gas supplier. Check existing electrical supply and gas supply. See "Electrical Requirements" and "Gas Supply Requirements" sections.

It is recommended that all electrical connections be made by a licensed, qualified electrical installer.

## Location Requirements

**IMPORTANT:** Observe all governing codes and ordinances. Do not obstruct flow of combustion and ventilation air.

- It is the installer's responsibility to comply with installation clearances specified on the model/serial rating plate. The model/serial rating plate is located behind the control panel and may be rotated up from behind the control panel for viewing from the front of the range.
- The range should be located for convenient use in the kitchen.
- Recessed installations must provide complete enclosure of the sides and rear of the range.
- To eliminate the risk of burns or fire by reaching over heated surface units, cabinet storage space located above the surface units should be avoided. If cabinet storage is to be provided, the risk can be reduced by installing a range hood or microwave hood combination that projects horizontally a minimum of 5" (12.7 cm) beyond the bottom of the cabinets.
- All openings in the wall or floor where range is to be installed must be sealed.
- Do not seal the range to the side cabinets.
- Cabinet opening dimensions that are shown must be used. Given dimensions are minimum clearances.
- The floor anti-tip bracket must be installed. To install the anti-tip bracket shipped with the range, see "Install Anti-Tip Bracket" section.
- Grounded electrical supply is required. See "Electrical Requirements" section.
- Proper gas supply connection must be available. See "Gas Supply Requirements" section.
- Contact a qualified floor covering installer to check that the floor covering can withstand at least 200°F (93°C).
- Use an insulated pad or 1/4" (0.64 cm) plywood under range if installing range over carpeting.

**IMPORTANT:** To avoid damage to your cabinets, check with your builder or cabinet supplier to make sure that the materials used will not discolor, delaminate or sustain other damage. This oven has been designed in accordance with the requirements of UL and CSA International and complies with the maximum allowable wood cabinet temperatures of 194°F (90°C).

### Mobile Home - Additional Installation Requirements

The installation of this range must conform to the Manufactured Home Construction and Safety Standard, Title 24 CFR, Part 3280 (formerly the Federal Standard for Mobile Home Construction and Safety, Title 24, HUD Part 280). When such standard is not applicable, use the Standard for Manufactured Home Installations, ANSI A225.1/NFPA 501A or with local codes.

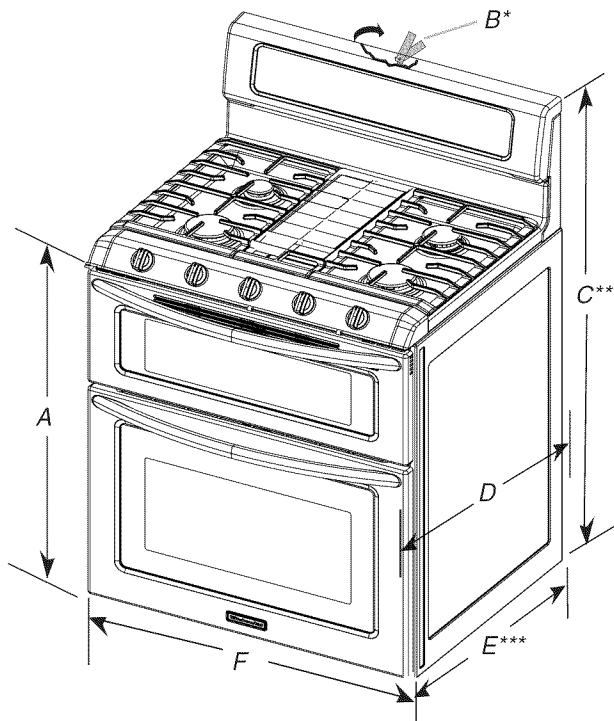
In Canada, the installation of this range must conform with the current standards CAN/CSA-A240-latest edition, or with local codes.

#### Mobile home installations require:

- When this range is installed in a mobile home, it must be secured to the floor during transit. Any method of securing the range is adequate as long as it conforms to the standards listed above.
- Four-wire power supply cord or cable must be used in a mobile home installation. The appliance wiring will need to be revised. See "Electrical Connection" section.

<sup>†</sup>TORX is a registered trademark of Acument Intellectual Properties, LLC

## Product Dimensions



A.  $35\frac{3}{4}'' \pm \frac{1}{8}''$  ( $90.8 \pm 0.3$  cm) cooktop height (minimum) with leveling legs screwed all the way in

B. Model/serial/rating plates (located behind the control panel)\*

C.  $47\frac{1}{8}'' \pm \frac{1}{8}''$  ( $119.7 \pm 0.3$  cm) overall height (minimum) with leveling legs screwed all the way in\*\*

D.  $28\frac{1}{2}'' \pm \frac{1}{4}''$  ( $72.4 \pm 0.6$  cm) depth with handle

E.  $26\frac{1}{8}'' \pm \frac{1}{8}''$  ( $66.4 \pm 0.3$  cm)

F.  $29\frac{5}{16}'' \pm \frac{1}{16}''$  ( $76.0 \pm 0.2$  cm) width

\*Model/serial/rating plates may be rotated up from behind the control panel for viewing from the front of the range.

\*\*Range can be raised approximately 1" (2.5 cm) by adjusting the leveling legs.

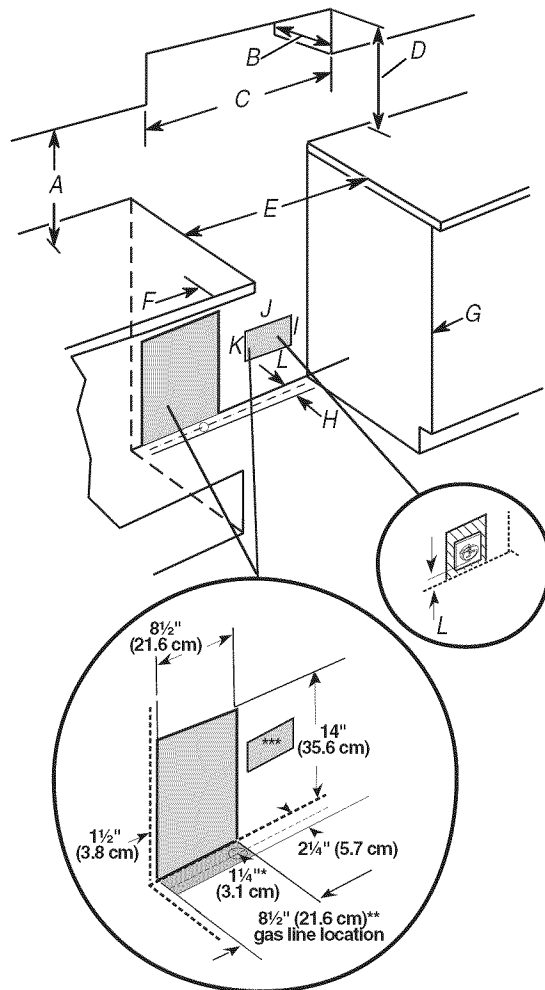
\*\*\*Excludes handle. Dimension given is from wall to front of oven door and will vary based on electric outlet receptacle installation.

## Cabinet Dimensions

Cabinet opening dimensions shown are for 25" (64.0 cm) countertop depth, 24" (61.0 cm) base cabinet depth and 36" (91.4 cm) countertop height.

**IMPORTANT:** If installing a range hood or microwave hood combination above the range, follow the range hood or microwave hood combination installation instructions for dimensional clearances above the cooktop surface.

Range may be installed with zero clearance to combustible construction at the rear and on the sides below the cooktop.



A. 18" (45.7 cm) upper cabinet to countertop

B. 13" (33.0 cm) upper cabinet depth

C. 30" (76.2 cm) min. opening width

D. For minimum clearance to the top of the cooktop, see NOTE.

E. 30" (76.2 cm) min. opening width

F. 3" (7.6 cm) min. clearance from both sides of the range to the side wall or other combustible material.

G. Cabinet door or hinges should not extend into the cutout.

H. 3" (7.6 cm) distance from wall

I. 1 1/2" (3.8 cm) min. from right side cabinet

J. 8" (20.3 cm) width

K. 7" (17.8 cm) min. from floor

L. 2" (5.1 cm) min. from floor

\*Drill on centerline 1 1/4" (3.1 cm) from rear wall for gas supply line.

\*\*Gas lines must be installed within the shaded area to ensure proper alignment of this oven with cabinets.

\*\*\*Recessed electrical plugs must be installed within the shaded area to ensure proper alignment of this oven with cabinets.

**NOTE:** 24" (61.0 cm) minimum when bottom of wood or metal cabinet is covered by not less than 1/4" (0.64 cm) flame retardant millboard covered with not less than No. 28 MSG sheet steel, 0.015" (0.4 mm) stainless steel, 0.024" (0.6 mm) aluminum or 0.020" (0.5 mm) copper.

30" (76.2 cm) minimum clearance between the top of the cooking platform and the bottom of an uncovered wood or metal cabinet.

## Electrical Requirements - U.S.A. Only

If codes permit and a separate ground wire is used, it is recommended that a qualified electrical installer determine that the ground path and wire gauge are in accordance with local codes.

Do not use an extension cord.

Be sure that the electrical connection and wire size are adequate and in conformance with the National Electrical Code, ANSI/NFPA 70-latest edition and all local codes and ordinances.

A copy of the above code standards can be obtained from:  
National Fire Protection Association  
One Batterymarch Park  
Quincy, MA 02269.

**WARNING:** Improper connection of the equipment-grounding conductor can result in a risk of electric shock. Check with a qualified electrician if you are in doubt as to whether the appliance is properly grounded. Do not modify the power supply cord plug. If it will not fit the outlet, have a proper outlet installed by a qualified electrician.

### Electrical Connection

To properly install your range, you must determine the type of electrical connection you will be using and follow the instructions provided for it here.

- Range must be connected to the proper electrical voltage and frequency as specified on the model/serial number rating plate. The model/serial number rating plate is located behind the control panel. Refer to the figures in “Product Dimensions” in the “Location Requirements” section.
- This range is manufactured with the neutral terminal connected to the cabinet. Use a 3-wire, UL listed, 40- or 50-amp power supply cord (pigtail) (see following Range Rating chart). If local codes do not permit ground through the neutral, use a 4-wire power supply cord rated at 250 volts, 40 or 50 amps and investigated for use with ranges.

Range Rating*		Specified Rating of Power Supply Cord Kit and Circuit Protection
120/240 Volts	120/208 Volts	Amps
8.8 - 16.5 KW 16.6 - 22.5 KW	7.8 - 12.5 KW 12.6 - 18.5 KW	40 or 50** 50

\*The NEC calculated load is less than the total connected load listed on the model/serial rating plate.

\*\*If connecting to a 50-amp circuit, use a 50-amp rated cord with kit. For 50-amp rated cord kits, use kits that specify use with a nominal 1 $\frac{3}{8}$ " (34.9 mm) diameter connection opening.

- A circuit breaker is recommended.
- The range can be connected directly to the circuit breaker box (or fused disconnect) through flexible or nonmetallic sheathed, copper or aluminum cable. See the “Electrical Connection - U.S.A. Only” section.
- Allow 2 to 3 ft (61.0 cm to 91.4 cm) of slack in the line so that the range can be moved if servicing is ever necessary.

- A UL listed conduit connector must be provided at each end of the power supply cable (at the range and at the junction box).
- Wire sizes and connections must conform with the rating of the range.
- The wiring diagram is located on the back of the range or in a clear plastic bag.

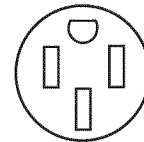
### If connecting to a 4-wire system:

This range is manufactured with the ground connected to the neutral by a link. The ground must be revised so the green ground wire of the 4-wire power supply cord is connected to the cabinet. See “Electrical Connection Section.”

Grounding through the neutral conductor is prohibited for new branch-circuit installations (1996 NEC); mobile homes; and recreational vehicles, or an area where local codes prohibit grounding through the neutral conductor.

When a 4-wire receptacle of NEMA Type 14-50R is used, a matching UL listed, 4-wire, 250-volt, 40- or 50-amp, range power supply cord (pigtail) must be used. This cord contains 4 copper conductors with ring terminals or open-end spade terminals with upturned ends, terminating in a NEMA Type 14-50P plug on the supply end.

The fourth (grounding) conductor must be identified by a green or green/yellow cover and the neutral conductor by a white cover. Cord should be Type SRD or SRDT with a UL listed strain relief and be at least 4 ft (1.22 m) long.



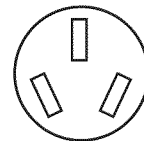
4-wire receptacle (14-50R)

The minimum conductor sized for the copper 4-wire power cord are:

- 40-amp circuit
- 2 No.-8 conductors
- 1 No.-10 white neutral
- 1 No.-8 green grounding

### If connecting to a 3-wire system:

Local codes may permit the use of a UL listed, 3-wire, 250-volt, 40- or 50-amp range power supply cord (pigtail). This cord contains 3 copper conductors with ring terminals or open-end spade terminals with upturned ends, terminating in a NEMA Type 10-50P plug on the supply end. Connectors on the appliance end must be provided at the point the power supply cord enters the appliance. This uses a 3-wire receptacle of NEMA Type 10-50R.



3-wire receptacle (10-50R)

## Electrical Requirements - Canada Only

### ⚠ WARNING



#### Electrical Shock Hazard

Electrically ground range.

Failure to do so can result in death, fire, or electrical shock.

If codes permit and a separate ground wire is used, it is recommended that a qualified electrical installer determine that the ground path is adequate and wire gauge are in accordance with local codes.

Be sure that the electrical connection and wire size are adequate and in conformance with CSA Standard C22.1, Canadian Electrical Code, Part 1 - latest edition, and all local codes and ordinances.

A copy of the above code standards can be obtained from:

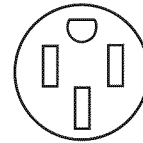
Canadian Standards Association  
178 Rexdale Blvd.  
Toronto, ON M9W 1R3 CANADA

- Check with a qualified electrical installer if you are not sure the range is properly grounded.

Range Rating*		Rating of Power Supply Cord	Circuit Protection
120/240 Volts	120/208 Volts	Amps	Amps
8.8 - 16.5 KW	7.8 - 12.5 KW	40	40 or 50
16.6 - 22.5 KW	12.6 - 18.5 KW	50	50

\*The NEC calculated load is less than the total connected load listed on the model/serial rating plate.

- A time-delay fuse or circuit breaker is recommended.
- This range is equipped with a CSA International Certified Power Cord intended to be plugged into a standard 14-50R wall receptacle. Be sure the wall receptacle is within reach of range's final location.



- Do not use an extension cord.

## Gas Supply Requirements

### ⚠ WARNING



#### Explosion Hazard

Use a new CSA International approved gas supply line.

Install a shut-off valve.

Securely tighten all gas connections.

If connected to LP, have a qualified person make sure gas pressure does not exceed 14" (36 cm) water column.

Examples of a qualified person include:

licensed heating personnel,  
authorized gas company personnel, and  
authorized service personnel.

Failure to do so can result in death, explosion, or fire.

Observe all governing codes and ordinances.

**IMPORTANT:** This installation must conform with all local codes and ordinances. In the absence of local codes, installation must conform with American National Standard, National Fuel Gas Code ANSI Z223.1 - latest edition or CAN/CGA B149 - latest edition.

**IMPORTANT:** Leak testing of the range must be conducted according to the manufacturer's instructions.

#### Type of Gas

##### Natural gas:

This range is design-certified by CSA International for use with Natural gas or, after proper conversion, for use with LP gas.

- This range is factory set for use with Natural gas. See "Gas Conversions" section. The model/serial rating plate located behind the control panel has information on the types of gas that can be used. If the types of gas listed do not include the type of gas available, check with the local gas supplier.

##### LP gas conversion:

Conversion must be done by a qualified service technician.

No attempt shall be made to convert the appliance from the gas specified on the model/serial rating plate for use with a different gas without consulting the serving gas supplier. See "Gas Conversions" section.

#### Gas Supply Line

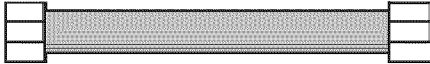
- Provide a gas supply line of 3/4" (1.9 cm) rigid pipe to the range location. A smaller size pipe on longer runs may result in insufficient gas supply. With LP gas, piping or tubing size can be 1/2" (1.3 cm) minimum. Usually, LP gas suppliers determine the size and materials used in the system.

**NOTE:** Pipe-joint compounds that resist the action of LP gas must be used. Do not use TEFLON<sup>†</sup> tape.

<sup>†</sup>TEFLON is a registered trademark of E.I. Du Pont De Nemours and Company.

### Flexible metal appliance connector:

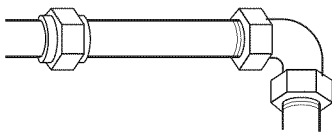
- If local codes permit, a new CSA design-certified, 4 to 5 ft (122 to 152.4 cm) long, 1/2" (1.3 cm) or 3/4" (1.9 cm) I.D., flexible metal appliance connector may be used for connecting range to the gas supply line.



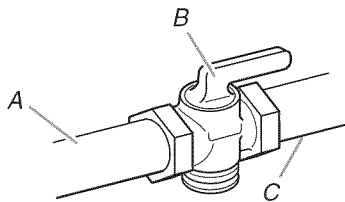
- A 1/2" (1.3 cm) male pipe thread is needed for connection to the female pipe threads of the inlet to the appliance pressure regulator.
- Do not kink or damage the flexible metal tubing when moving the range.

### Rigid pipe connection:

The rigid pipe connection requires a combination of pipe fittings to obtain an in-line connection to the range. The rigid pipe must be level with the range connection. All strains must be removed from the supply and fuel lines so range will be level and in line.



- Must include a shutoff valve:  
The supply line must be equipped with a manual shutoff valve. This valve should be located in the same room but external to the range opening, such as an adjacent cabinet. It should be in a location that allows ease of opening and closing. Do not block access to shutoff valve. The valve is for turning on or shutting off gas to the range.



A. Gas supply line  
B. Shutoff valve "open" position  
C. To range

---

### Gas Pressure Regulator

---

The gas pressure regulator supplied with this range must be used. The inlet pressure to the regulator should be as follows for proper operation:

#### Natural gas:

Minimum pressure: 5" WCP

Maximum pressure: 14" WCP

#### LP gas:

Minimum pressure: 11" WCP

Maximum pressure: 14" WCP

Contact local gas supplier if you are not sure about the inlet pressure.

---

### Burner Input Requirements

---

Input ratings shown on the model/serial rating plate are for elevations up to 2,000 ft (609.6 m).

For elevations above 2,000 ft (609.6 m), ratings are reduced at a rate of 4% for each 1,000 ft (304.8 m) above sea level (not applicable for Canada).

---

### Gas Supply Pressure Testing

---

Gas supply pressure for testing regulator must be at least 1" water column pressure above the manifold pressure shown on the model/serial rating plate.

#### Line pressure testing above 1/2 psi gauge (14" WCP)

The range and its individual shutoff valve must be disconnected from the gas supply piping system during any pressure testing of that system at test pressures in excess of 1/2 psi (3.5 kPa).

#### Line pressure testing at 1/2 psi gauge (14" WCP) or lower

The range must be isolated from the gas supply piping system by closing its individual manual shutoff valve during any pressure testing of the gas supply piping system at test pressures equal to or less than 1/2 psi (3.5 kPa).



# INSTALLATION INSTRUCTIONS

## Unpack Range

### **⚠ WARNING**

#### **Excessive Weight Hazard**

**Use two or more people to move and install range.**

**Failure to do so can result in back or other injury.**

1. Remove shipping materials, tape and film from the range. Keep cardboard bottom under range.
2. Remove oven racks and parts package from inside oven.
3. To place range on its back, take 4 cardboard corners from the carton. Stack one cardboard corner on top of another. Repeat with the other 2 corners. Place them lengthwise on the floor behind the range to support the range when it is laid on its back.
4. Using 2 or more people, firmly grasp the range and gently lay it on its back on the cardboard corners.
5. Pull cardboard bottom firmly to remove.
6. Use an adjustable wrench to loosen the leveling legs.
7. Place cardboard or hardboard in front of range. Using 2 or more people, stand range back up onto cardboard or hardboard.

## Adjust Leveling Legs

1. If range height adjustment is necessary, use a wrench or pliers to loosen the 4 leveling legs.

This may be done with the range on its back or with the range supported on 2 legs after the range has been placed back to a standing position.

**NOTE:** To place range back up into a standing position, put a sheet of cardboard or hardboard in front of range. Using 2 or more people, stand range back up onto the cardboard or hardboard.

### **⚠ WARNING**



#### **Tip Over Hazard**

**A child or adult can tip the range and be killed.**

**Connect anti-tip bracket to rear range foot.**

**Reconnect the anti-tip bracket, if the range is moved.**

**Failure to follow these instructions can result in death or serious burns to children and adults.**

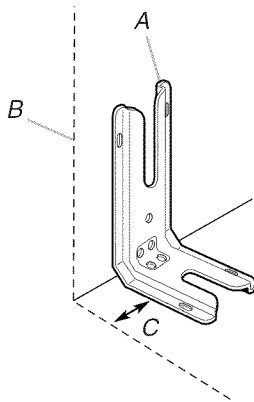
2. Adjust the leveling legs to the correct height. Leveling legs can be loosened to add up to a maximum of 1" (2.5 cm). A minimum of  $\frac{3}{16}$ " (5.0 mm) is needed to engage the anti-tip bracket.

**NOTE:** If height adjustment is made when range is standing, tilt the range back to adjust the front legs, then tilt forward to adjust the rear legs.

3. When the range is at the correct height, check that there is adequate clearance under the range for the anti-tip bracket. Before sliding range into its final location, check that the anti-tip bracket will slide under the range and onto the rear leveling leg prior to anti-tip bracket installation.

## Install Anti-Tip Bracket

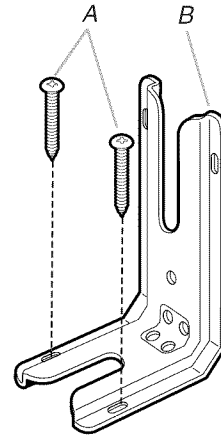
1. Remove the anti-tip bracket that is taped inside the upper oven with the package containing literature.
2. Determine which mounting method to use: floor or wall.  
If you have a stone or masonry floor you can use the wall mounting method.
3. Determine and mark edge of range in the cutout space. The mounting bracket can be installed on either the left side or right side of the cutout. Position mounting bracket in cutout so that right (or left) edge of the bracket is  $\frac{15}{16}$ " (2.4 cm) from the marked edge of the range, as shown.



A. Anti-tip bracket  
B. Mark edge of range.  
C.  $\frac{15}{16}$ " (2.4 cm)

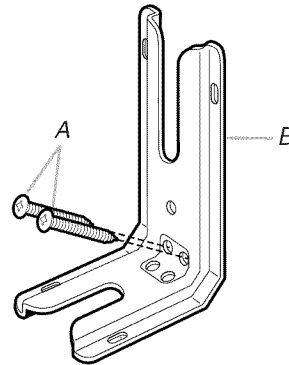
4. Drill two  $\frac{1}{8}$ " (3.0 mm) holes that correspond to the bracket holes of the determined mounting method. See the following.

### Floor Mounting



A. #12 x  $1\frac{5}{8}$ " screws  
B. Anti-tip bracket

### Wall Mounting



A. #12 x  $1\frac{5}{8}$ " screws  
B. Anti-tip bracket

5. Using the Phillips screwdriver, mount anti-tip bracket to the wall or floor with the two #12 x  $1\frac{5}{8}$ " screws provided.

# Electrical Connection - U.S.A. Only

## Power Supply Cord

### ⚠ WARNING



#### Electrical Shock Hazard

- Disconnect power before servicing.
- Use a new 40 amp power supply cord.
- Plug into a grounded outlet.
- Failure to follow these instructions can result in death, fire, or electrical shock.

## Direct Wire

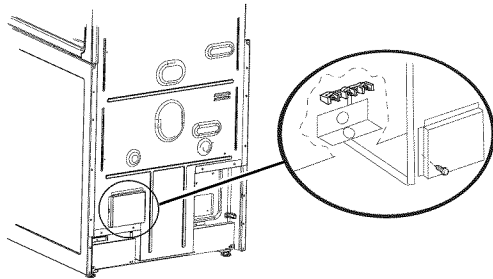
### ⚠ WARNING



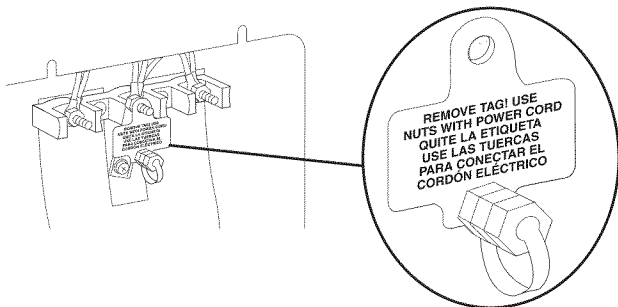
#### Electrical Shock Hazard

- Disconnect power before servicing.
- Use 8 gauge copper or 6 gauge aluminum wire.
- Electrically ground range.
- Failure to follow these instructions can result in death, fire, or electrical shock.

1. Disconnect power.
2. Use Phillips screwdriver to remove the terminal block cover screw located on the back of the range. Pull cover down and toward you to remove cover.



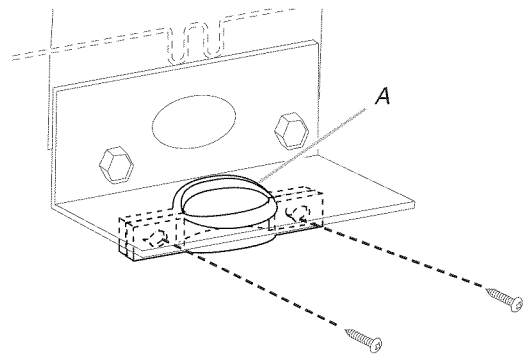
3. Remove plastic tag holding three 10-32 hex nuts from the middle post of the terminal block.



4. Add strain relief.

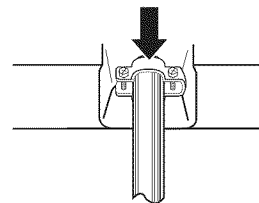
#### Style 1: Power supply cord strain relief

- Assemble a UL listed strain relief in the opening.



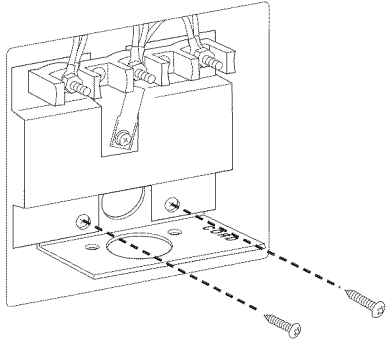
A. UL listed strain relief

- Feed the power supply cord through the strain relief in the cord/conduit plate on bottom of range. Allow enough slack to easily attach the wiring to the terminal block.
- Tighten strain relief screw against the power supply cord.

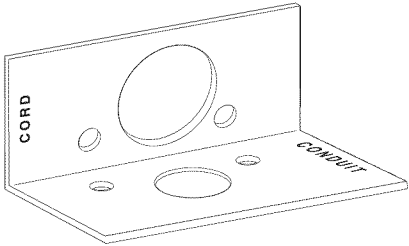


**Style 2: Direct wire strain relief**

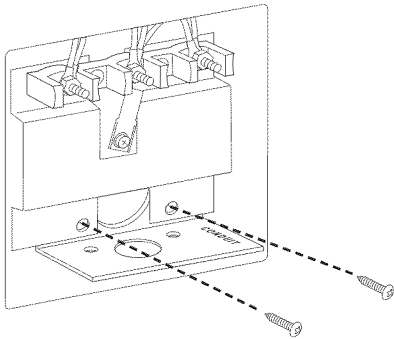
- Use Phillips screwdriver to remove screws and slide cord/conduit plate down and out.



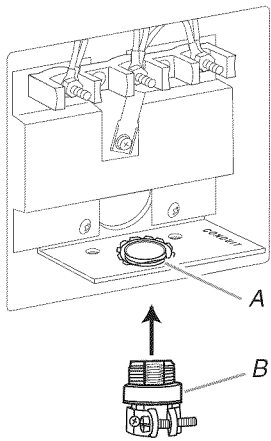
- Position cord/conduit plate as shown in the following illustration.



- Replace cord/conduit plate and insert screws.

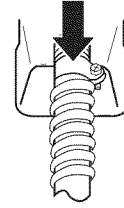


- Assemble a UL listed conduit connector in the opening.




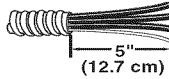

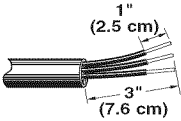
A. Removable retaining nut  
B. Strain relief

- Feed the flexible conduit through the strain relief, allowing enough slack to easily attach wiring to the terminal block.
- Tighten strain relief screw against the flexible conduit.



5. Replace back panel and screws on rear of range.
6. Complete installation following instructions for your type of electrical connection:
  - 4-wire** (recommended)
  - 3-wire** (if 4-wire is not available)

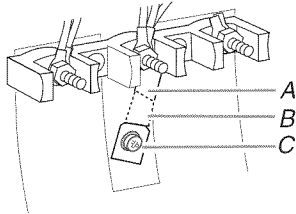
**Electrical Connection Options**

If your home has:	And you will be connecting to:	Go to Section:
4-wire receptacle (NEMA type 14-50R) 	A UL listed, 250-volt minimum, 40-amp, range power supply cord	4-wire connection: Power supply cord
4-wire direct 	A fused disconnect or circuit breaker box	4-wire connection: Direct wire
3-wire receptacle (NEMA type 10-50R) 	A UL listed, 250-volt minimum, 40-amp, range power supply cord	3-wire connection: Power supply cord
3-wire direct 	A fused disconnect or circuit breaker box	3-wire connection: Direct wire

## 4-wire connection: Power Supply Cord

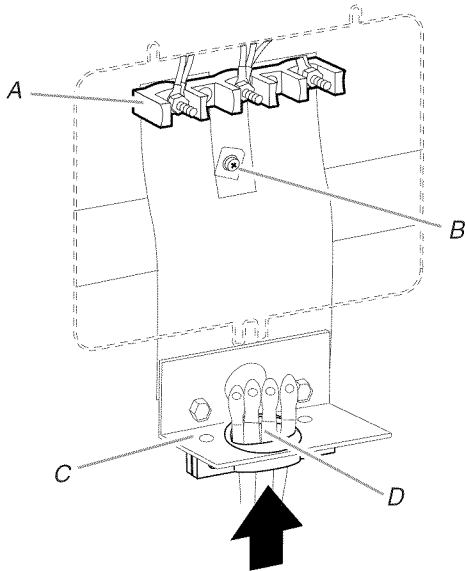
Use this method for:

- New branch-circuit installations (1996 NEC)
  - Mobile homes
  - Recreational vehicles
  - In an area where local codes prohibit grounding through the neutral
1. Part of metal ground strap must be cut out and removed.



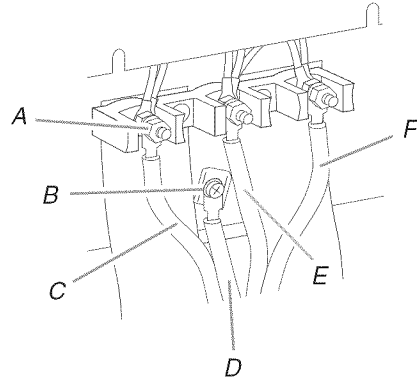
A. Metal ground strap  
B. Discard  
C. Ground-link screw

2. Use Phillips screwdriver to remove the ground-link screw from the back of the range. Save the ground-link screw and the end of the ground link under the screw.
3. Feed the power supply cord through the strain relief in the cord/conduit plate on bottom of range. Allow enough slack to easily attach the wiring to the terminal block.



A. Terminal block  
B. Ground-link screw  
C. Cord/conduit plate  
D. Power supply cord wires

4. Use Phillips screwdriver to connect the green ground wire from the power supply cord to the range with the ground-link screw. The ground wire must be attached first.
5. Use  $\frac{3}{8}$ " nut driver to connect the neutral (white) wire to the center terminal block post with one of the 10-32 hex nuts.



A. 10-32 hex nut  
B. Ground-link screw  
C. Line 1 (black)  
D. Green ground wire  
E. Neutral (center) wire  
F. Line 2 (red)

6. Connect line 1 (black) and line 2 (red) wires to the outer terminal block posts with 10-32 hex nuts.
7. Securely tighten hex nuts.

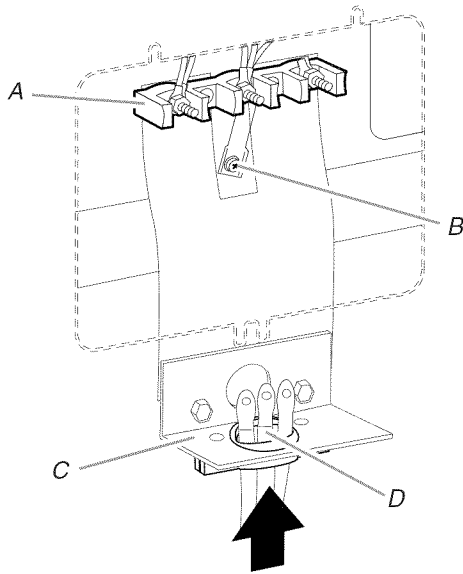
**NOTE:** For power supply cord replacement, use only a power cord rated at 250 volts minimum, 40 amps or 50 amps that is marked for use with nominal  $1\frac{3}{8}$ " (3.5 cm) diameter connection opening, with ring terminals and marked for use with ranges.

8. Replace terminal block access cover.

### 3-wire connection: Power Supply Cord

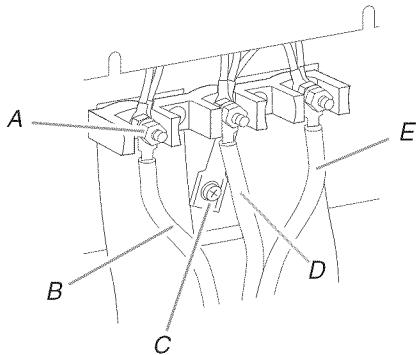
Use this method only if local codes permit connecting chassis ground conductor to neutral wire of power supply cord.

1. Feed the power supply cord through the strain relief in the cord/conduit plate on bottom of range. Allow enough slack to easily attach the wiring to the terminal block.



A. Terminal block  
B. Ground-link screw  
C. Cord/conduit plate  
D. Power supply cord wires

2. Use  $\frac{3}{8}$ " nut driver to connect the neutral (white) wire to the center terminal block post with one of the 10-32 hex nuts.



A. 10-32 hex nut  
B. Line 1 (black)  
C. Ground-link screw  
D. Neutral (white) wire  
E. Line 2 (red)

3. Connect line 1 (black) and line 2 (red) wires to the outer terminal block posts with 10-32 hex nuts.
4. Securely tighten hex nuts.

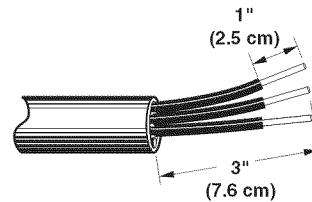
**NOTE:** For power supply cord replacement, use only a power cord rated at 250 volts minimum, 40 amps or 50 amps that is marked for use with nominal  $1\frac{3}{8}$ " (3.5 cm) diameter connection opening, with ring terminals and marked for use with ranges.

5. Replace terminal block access cover.

### Direct Wire Installation: Copper or Aluminum Wire

This range may be connected directly to the fuse disconnect or circuit breaker box. Depending on your electrical supply, make the required 3-wire or 4-wire connection.

1. Strip outer covering back 3" (7.6 cm) to expose wires. Strip the insulation back 1" (2.5 cm) from the end of each wire.



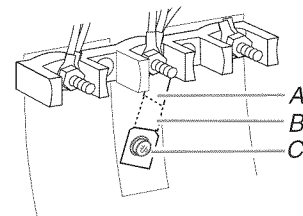
2. Allow enough slack in the wire to easily attach the wiring terminal block.
3. Complete electrical connection according to your type of electrical supply (4-wire or 3-wire connection).

### 4-wire Connection: Direct Wire

Use this method for:

- New branch-circuit installations (1996 NEC)
- Mobile homes
- Recreational vehicles
- In an area where local codes prohibit grounding through the neutral

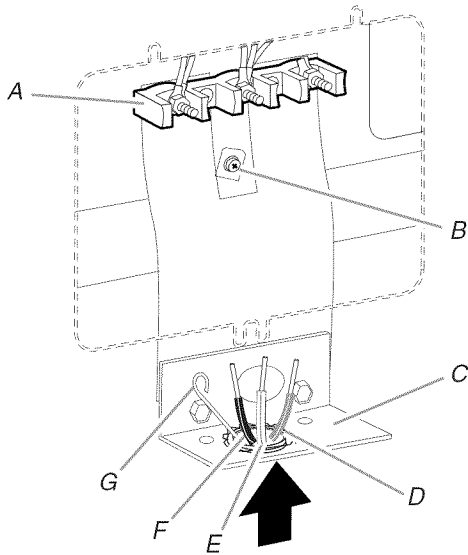
1. Part of metal ground strap must be cut out and removed.



A. Metal ground strap  
B. Discard  
C. Ground-link screw

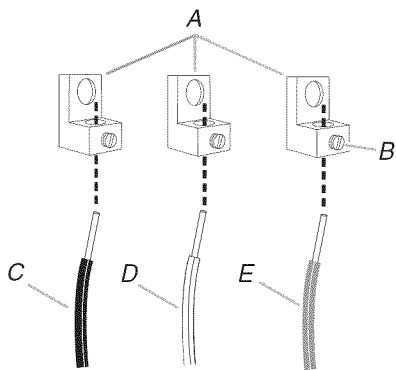
2. Use Phillips screwdriver to remove the ground-link screw from the back of the range. Save the ground-link screw and the end of the ground link under the screw.

3. Pull the conduit through the strain relief on cord/conduit plate on bottom of range. Allow enough slack to easily attach wiring to the terminal block.



- A. Terminal block
- B. Ground-link screw
- C. Cord/conduit plate
- D. Line 2 (red) wire
- E. Neutral (white) wire
- F. Line 1 (black) wire
- G. Bare (green) ground wire

4. Attach terminal lugs (located in the package containing literature) to line 1 (black), neutral (white), and line 2 (red) wires. Loosen (do not remove) the setscrew on the front of the terminal lug and insert exposed wire end through bottom of terminal lugs. Securely tighten setscrew to XX lbs-in. torque. See Bare Wire Torque Specifications chart.



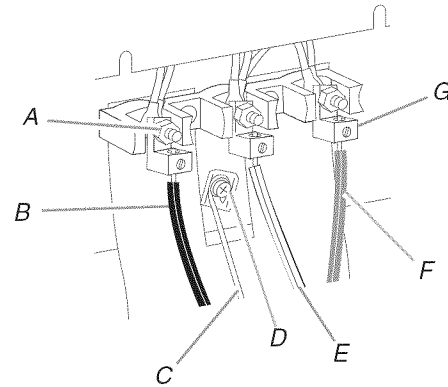
- A. Terminal lug
- B. Setscrew
- C. Line 1 (black) wire
- D. Neutral (white) wire
- E. Line 2 (red) wire

### Bare Wire Torque Specifications

Attaching terminal lugs to the terminal block - 20 lbs-in. (2.3 N-m)

Wire Awg	Torque
8 gauge copper	25 lbs-in. (2.8 N-m)
6 gauge aluminum	35 lbs-in. (4.0 N-m)

5. Use Phillips screwdriver to connect the bare (green) ground wire to the range with the ground-link screw. The ground wire must be attached first and must not contact any other terminal.
6. Use 3/8" nut driver to connect the neutral (white) lug to the center terminal block post with one of the 10-32 hex nuts.



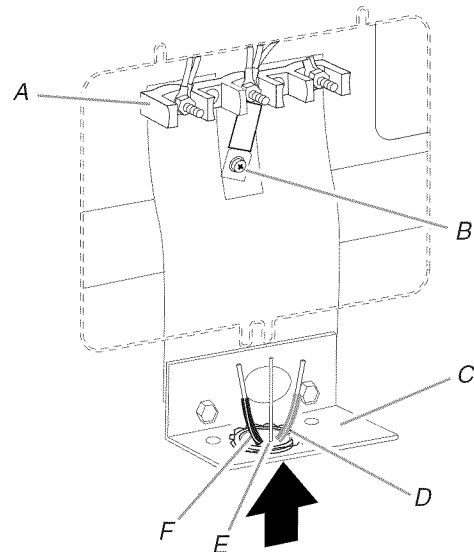
- A. 10-32 hex nut
- B. Line 1 (black)
- C. Bare (green) ground wire
- D. Ground-link screw
- E. Neutral (white) wire
- F. Line 2 (red)
- G. Terminal lug

7. Connect line 1 (black) and line 2 (red) terminal lugs to the outer terminal block posts with 10-32 hex nuts.
8. Securely tighten hex nuts.
9. Replace terminal block access cover.

### 3-wire connection: Direct Wire

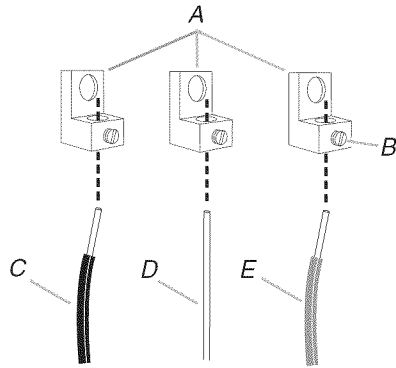
Use this method only if local codes permit connecting ground conductor to neutral supply wire.

1. Pull the conduit through the hole and conduit plate on bottom of range. Allow enough slack to easily attach the wiring to the terminal block.



- A. Terminal block
- B. Ground-link screw
- C. Cord/conduit plate
- D. Line 2 (red) wire
- E. Bare (green) ground wire
- F. Line 1 (black) wire

- Attach terminal lugs (located in the package containing literature) to line 1 (black), bare (green) ground, and line 2 (red) wires. Loosen (do not remove) the setscrew on the front of the terminal lug and insert exposed wire end through bottom of terminal lugs. Securely tighten setscrew to XX lbs-in. torque. See Bare Wire Torque Specifications chart.



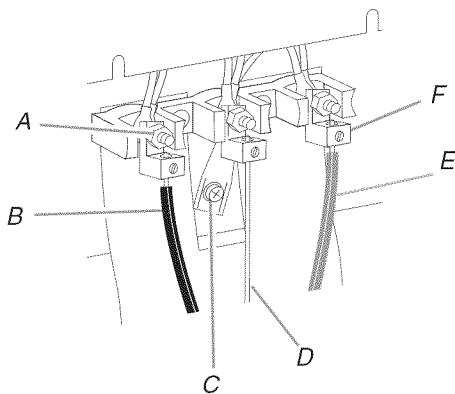
A. Terminal lug  
 B. Setscrew  
 C. Line 1 (black) wire  
 D. Bare (green) ground wire  
 E. Line 2 (red) wire

### Bare Wire Torque Specifications

Attaching terminal lugs to the terminal block - 20 lbs-in. (2.3 N-m)

Wire Awg	Torque
8 gauge copper	25 lbs-in. (2.8 N-m)
6 gauge aluminum	35 lbs-in. (4.0 N-m)

- Use  $\frac{3}{8}$ " nut driver to connect the bare (green) ground terminal lug to the center terminal block post with one of the 10-32 hex nuts.



A. 10-32 hex nut  
 B. Line 1 (black)  
 C. Ground-link screw  
 D. Bare (green) ground wire  
 E. Line 2 (red)  
 F. Terminal lug

- Connect line 1 (black) and line 2 (red) terminal lugs to the outer terminal block posts with 10-32 hex nuts.
- Securely tighten hex nuts.
- Replace terminal block access cover.

## Make Gas Connection

### ⚠ WARNING



#### Explosion Hazard

Use a new CSA International approved gas supply line.  
 Install a shut-off valve.

Securely tighten all gas connections.

If connected to LP, have a qualified person make sure gas pressure does not exceed 14" (36 cm) water column.

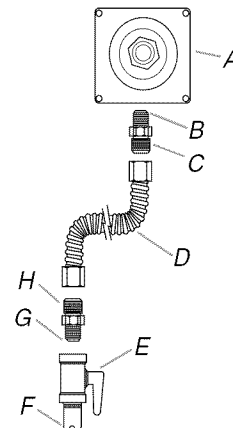
Examples of a qualified person include:

licensed heating personnel,  
 authorized gas company personnel, and  
 authorized service personnel.

Failure to do so can result in death, explosion, or fire.

### Typical flexible connection

- Apply pipe-joint compound made for use with LP gas to the smaller thread ends of the flexible connector adapters (see B and G in the following illustration).
- Attach one adapter to the gas pressure regulator and the other adapter to the gas shutoff valve. Tighten both adapters.
- Use a  $\frac{15}{16}$ " combination wrench and an adjustable wrench to attach the flexible connector to the adapters. Check that connector is not kinked.



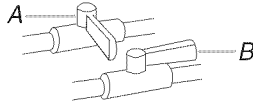
A. Gas pressure regulator  
 B. Use pipe-joint compound.  
 C. Adapter (must have  $\frac{1}{2}$ " male pipe thread)  
 D. Flexible connector  
 E. Manual gas shutoff valve  
 F.  $\frac{1}{2}$ " or  $\frac{3}{4}$ " gas pipe  
 G. Use pipe-joint compound.  
 H. Adapter



- Gas supply pipe must be located within clearance area as shown in the “Cabinet Dimensions” illustration in “Location Requirements” section.

### Complete connection

- Open the manual shutoff valve in the gas supply line. The valve is open when the handle is parallel to the gas pipe.

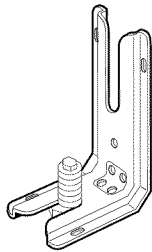


A. Closed valve  
B. Open valve

- Test all connections by brushing on an approved noncorrosive leak-detection solution. If bubbles appear, a leak is indicated. Correct any leak found.
- Remove cooktop burner caps and grates from parts package. Align recess in burner caps with pins in burner base. Burner caps should be level when properly positioned. If burner caps are not properly positioned, surface burners will not light. Place burner grates over burners and caps.
- Plug in range or reconnect power.

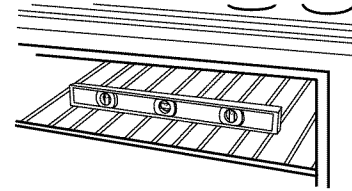
### Verify Anti-Tip Bracket Location

- Move range close to cabinet opening.
- Remove cardboard or hardboard from under the range. Using 2 or more people, gently move range into its final location.
- To check that the anti-tip bracket is installed, use a flashlight and look underneath the bottom of the range.
  - Look for the anti-tip bracket securely attached to floor or wall.
  - Slide range back so rear range foot is under anti-tip bracket.



### Level Range

- Place oven rack in oven.
- Place level on oven rack and check levelness of range, first side to side; then front to back.



- If range is not level, pull range forward until rear leveling leg is removed from the anti-tip bracket.
- Use wrench to adjust leveling legs up or down until range is level. Push range back into position.
- Check that rear leveling leg is engaged in anti-tip bracket. Check that the flexible conduit or power supply cord are not bent.

**NOTE:** Range must be level for satisfactory baking performance.

### Electronic Ignition System

#### Initial lighting and gas flame adjustments

Cooktop burners use pilotless igniters in place of standing pilots. When the cooktop control knob is turned to the “LITE” position, the system creates a spark to light the burner. This sparking continues, as long as the control knob is turned to “LITE.”

#### Check Operation of Cooktop Burners

##### Standard Surface Burners

Push in and turn each control knob to the “LITE” position.

The flame should light within 4 seconds. The first time a burner is lit it may take longer than 4 seconds to light because of air in the gas line.

##### If burners do not light properly:

- Turn cooktop control knob to the “OFF” position.
- Check that the range is plugged in and the circuit breaker has not tripped or the household fuse has not blown.
- Check that the gas shutoff valve is set to the “open” position.
- Check that burner caps are properly positioned on burner bases.

Repeat start-up. If a burner does not light at this point, turn the control knobs to “Off” and contact your dealer or authorized service company for assistance.

### Tap Touch Surface Burners (on some models)

Tap the "On" pad for the cooktop control.

Tap the + or - to adjust the cooktop burner flame height. The flame should light within 4 seconds. The first time a burner is lit it may take longer than 4 seconds to light because of air in the gas line.

#### If burners do not light properly:

- Tap the "Off" pad for the cooktop control.
- Check that the range is plugged in and the circuit breaker has not tripped or the household fuse has not blown.
- Check that the gas shutoff valve is set to the "open" position.
- Check that burner caps are properly positioned on burner bases.

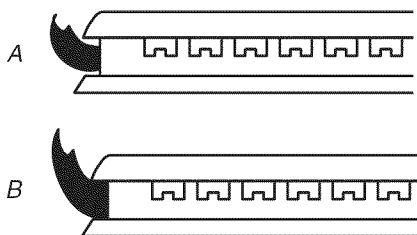
Repeat start-up. If a burner does not light at this point, tap the "Off" pad for the cooktop control and contact your dealer or authorized service company for assistance.

---

### Adjust Flame Height

---

Adjust the height of top burner flames. The cooktop "low" burner flame should be a steady blue flame approximately 1/4" (0.64 cm) high.



A. Low flame  
B. High flame

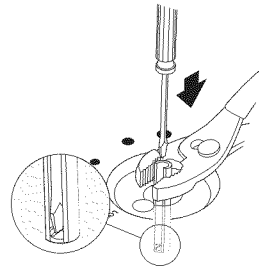
#### To adjust standard burners:

The flame can be adjusted using the adjustment screw in the center of the valve stem. The valve stem is located directly underneath the control knob.

#### If the "low" flame needs to be adjusted:

1. Light 1 burner and turn to lowest setting.
2. Remove the control knob.

Hold the knob stem in the low position using a pair of pliers. Use an 1/8" (3.0 mm) flat-blade screwdriver to turn the screw located in the center of the control knob stem until the flame is the proper size.



3. Replace the control knob.
4. Test the flame by turning the control from "LO" to "HI," checking the flame at each setting.
5. Repeat above steps for each burner.

---

### Complete Installation

1. Check that all parts are now installed. If there is an extra part, go back through the steps to see which step was skipped.
2. Check that you have all of your tools.
3. Dispose of/recycle all packaging materials.
4. Check that range level. See "Level Range."
5. Use a mild solution of liquid household cleaner and warm water to remove waxy residue caused by shipping material. Dry thoroughly with a soft cloth. For more information, see the "Range Care" section of the Use and Care Guide.
6. Read "Range Use" in the Use and Care Guide.
7. Turn on surface burners and oven. See the Use and Care Guide for specific instruction on range operation.

#### If range does not operate, check the following:

- Household fuse is intact and tight, or circuit breaker has not tripped.
- Range is plugged into a properly grounded outlet.
- Electrical supply is connected.
- See "Troubleshooting" in the Use and Care Guide.

#### If you need Assistance or Service:

Please reference the "Assistance or Service" section of the Use and Care Guide or contact the dealer from whom you purchased your range.

# GAS CONVERSIONS

Gas conversions from Natural gas to LP gas or from LP gas to Natural gas must be done by a qualified installer.

## ⚠ WARNING



### Explosion Hazard

Use a new CSA International approved gas supply line.

Install a shut-off valve.

Securely tighten all gas connections.

If connected to LP, have a qualified person make sure gas pressure does not exceed 14" (36 cm) water column.

Examples of a qualified person include:

licensed heating personnel,  
authorized gas company personnel, and  
authorized service personnel.

Failure to do so can result in death, explosion, or fire.

## LP Gas Conversion

## ⚠ WARNING



### Tip Over Hazard

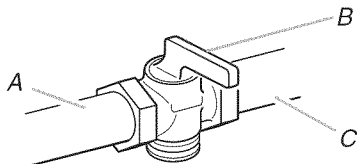
A child or adult can tip the range and be killed.

Connect anti-tip bracket to rear range foot.

Reconnect the anti-tip bracket, if the range is moved.

Failure to follow these instructions can result in death or serious burns to children and adults.

1. Turn manual shutoff valve to the closed position.

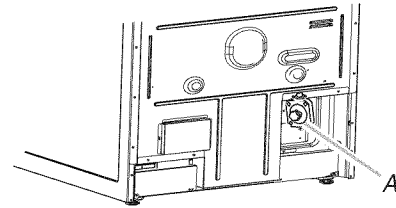


A. To range  
B. Shutoff valve (closed position)  
C. Gas supply line

2. Unplug range or disconnect power.

## To Convert Gas Pressure Regulator

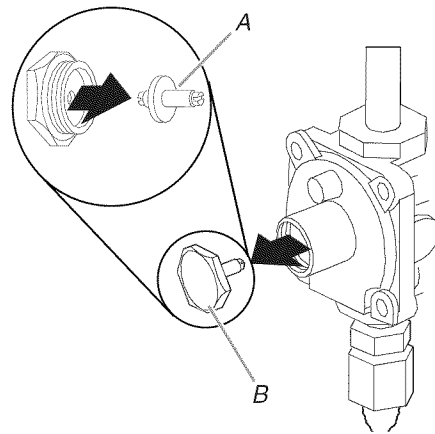
1. Locate gas pressure regulator at the rear of the range.



A. Gas pressure regulator

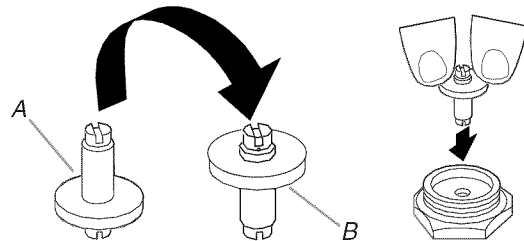
**IMPORTANT:** Do not remove the gas pressure regulator.

2. Unscrew the hex-shaped regulator cap from the regulator and remove the regulator pin.



A. Regulator pin  
B. Regulator cap

3. Flip the regulator pin over and snap pin firmly into place.

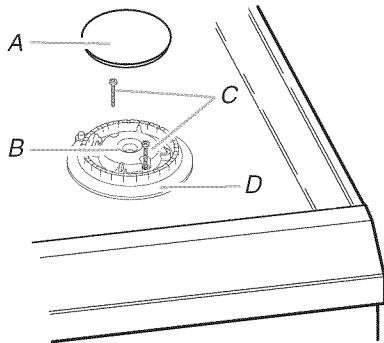


A. Natural gas position  
B. LP gas position

4. Screw the hex-shaped regulator cap securely back into place. Do not overtighten.

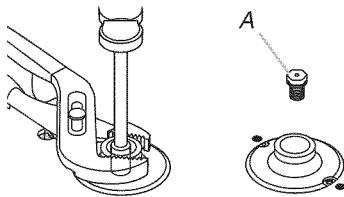
## To Convert Surface Burners

1. If installed, remove the burner grates.
2. Remove the burner caps.
3. Using a Phillips or T20 Torx® screwdriver, remove the burner base.



A. Burner cap  
B. Gas tube opening  
C. Burner base screws  
D. Burner base

4. Apply masking tape to the end of a  $\frac{3}{32}$ " (7.0 mm) nut driver to help hold the Natural gas orifice spud in the nut driver while changing it. Press nut driver down onto the Natural gas orifice spud and remove by turning it counterclockwise and lifting out. Set the Natural gas orifice spud aside.



A. Natural gas orifice spud

Use the following chart for correct LP gas orifice spud for each burner. Refer to the model/serial rating plate behind the control panel for proper sizing of LP gas orifice spuds for each burner location.

### LP Gas Orifice Spud Chart

Burner Rating	Color	Number
4,000 BTU	Yellow	70L
7,000 BTU	Black	81L
9,100 BTU	Green	97L
14,000 BTU	Red	111L

5. Replace the Natural gas orifice spud with the correct LP gas orifice spud. See the "LP Gas Orifice Spud Chart."
6. Replace burner base and hand tighten the screws.
7. Replace burner cap.
8. Repeat steps 1 through 7 for the remaining burners.
9. Place Natural gas orifice spuds in plastic parts bag for future use and keep with literature package.
10. Replace burner grates.

11. Complete installation. See "Make Gas Connection" and "Electronic Ignition System" sections.

Checking for proper cooktop burner flame is very important. The small inner cone should have a very distinct blue flame  $\frac{1}{4}$ " to  $\frac{1}{2}$ " long. The outer cone is not as distinct as the inner cone. LP gas flames have a slightly yellow tip.

**IMPORTANT:** You may have to adjust the "LO" setting for each cooktop burner.

## Natural Gas Conversion

### ⚠ WARNING



#### Tip Over Hazard

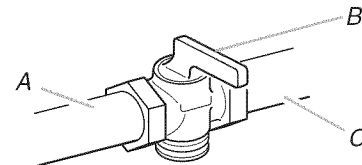
A child or adult can tip the range and be killed.

Connect anti-tip bracket to rear range foot.

Reconnect the anti-tip bracket, if the range is moved.

Failure to follow these instructions can result in death or serious burns to children and adults.

1. Turn manual shutoff valve to the closed position.

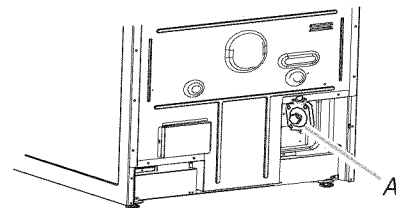


A. To range  
B. Shutoff valve (closed position)  
C. Gas supply line

2. Unplug range or disconnect power.

### To Convert Gas Pressure Regulator

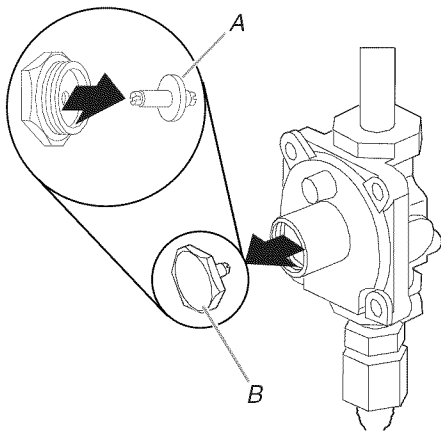
1. Locate gas pressure regulator at the rear of the range.



A. Gas pressure regulator

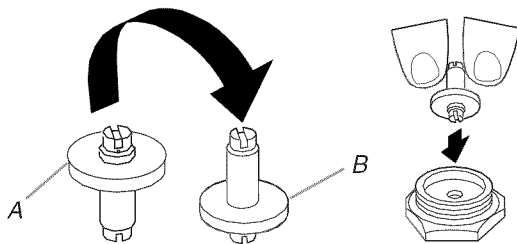
**IMPORTANT:** Do not remove the gas pressure regulator.

- Unscrew the hex-shaped regulator cap from the regulator and remove the regulator pin.



A. Regulator pin  
B. Regulator cap

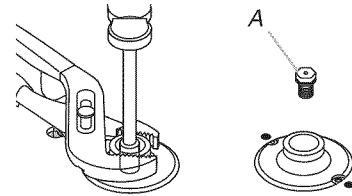
- Flip the regulator pin over and snap pin firmly into place.



A. LP gas position  
B. Natural gas position

- Screw the hex-shaped regulator cap securely back into place. Do not overtighten.

- Apply masking tape to the end of a  $\frac{9}{32}$ " (7.0 mm) nut driver to help hold the LP gas orifice spud in the nut driver while changing it. Press nut driver down onto the LP gas orifice spud and remove by turning it counterclockwise and lifting out. Set the LP gas orifice spud aside.



A. LP gas orifice spud

Use the following chart for correct Natural gas orifice spud for each burner. Refer to the model/serial rating plate behind the control panel for proper sizing of Natural orifice spuds for each burner location.

#### Natural Gas Orifice Spud Chart

Burner Rating	Color	Number
5,000 BTU	Green	107N
7,300 BTU	Yellow	125N
9,200 BTU	Orange	142N
10,000 BTU	Transparent	149N
15,000 BTU	White	180N
16,000 BTU	Black	195N

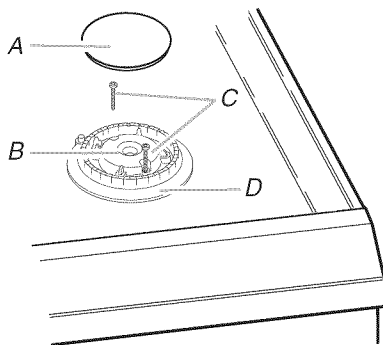
- Replace the LP gas orifice spud with correct Natural gas orifice spud. See the "Natural Gas Orifice Spud Chart."
- Replace burner base and hand tighten the screws.
- Replace burner cap.
- Repeat steps 1 through 7 for the remaining burners.
- Place LP gas orifice spuds in plastic parts bag for future use and keep with literature package.
- Replace burner grates.
- Complete installation. See "Make Gas Connection" and "Electronic Ignition System" sections.

Checking for proper cooktop burner flame is very important. The small inner cone should have a very distinct blue flame  $\frac{1}{4}$ " to  $\frac{1}{2}$ " long. The outer cone is not as distinct as the inner cone. Natural gas flames do not have yellow tips.

**IMPORTANT:** You may have to adjust the low setting for each cooktop burner.

#### To Convert Surface Burners

- If installed, remove the burner grates.
- Remove the burner caps.
- Using a Phillips T20 Torx® screwdriver, remove the burner base.



A. Burner cap  
B. Gas tube opening  
C. Burner base screws  
D. Burner base

## Moving the Range

### **⚠ WARNING**



#### **Tip Over Hazard**

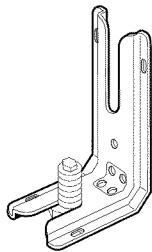
**A child or adult can tip the range and be killed.**  
**Connect anti-tip bracket to rear range foot.**  
**Reconnect the anti-tip bracket, if the range is moved.**  
**Failure to follow these instructions can result in death or serious burns to children and adults.**

When moving range, slide range onto cardboard or hardboard to avoid damaging the floor covering.

If removing the range is necessary for cleaning or maintenance:

#### **For power supply cord-connected ranges:**

1. Slide range forward.
2. Turn manual shutoff valve to the closed position.
3. Unplug the power supply cord.
4. Disconnect the gas supply tubing.
5. Complete cleaning or maintenance.
6. Reconnect the gas supply tubing.
7. Open the manual shutoff valve in the gas supply line.
8. Plug in power supply cord.
9. To check that anti-tip bracket is installed, use a flashlight and look underneath the bottom of the range:
  - Look for the anti-tip bracket securely attached to floor or wall.
  - Slide range back so rear range foot is under anti-tip bracket.



10. Check that range is level.

#### **For direct-wired ranges:**

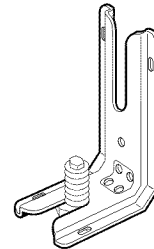
### **⚠ WARNING**



#### **Electrical Shock Hazard**

**Disconnect power before servicing.**  
**Replace all parts and panels before operating.**  
**Failure to do so can result in death or electrical shock.**

1. Disconnect power.
2. Turn manual shutoff valve to the closed position.
3. Disconnect wiring.
4. Disconnect the gas supply tubing.
5. Complete cleaning or maintenance.
6. Reconnect the gas supply tubing.
7. Reconnect wiring.
8. To check that anti-tip bracket is installed, use a flashlight and look underneath the bottom of the range:
  - Look for the anti-tip bracket securely attached to floor or wall.
  - Slide range back so rear range foot is under anti-tip bracket.



9. Check that range is level.
10. Open the manual shutoff valve in the gas supply line.
11. Reconnect power.

---

## Notes

# SÉCURITÉ DE LA CUISINIÈRE

## Votre sécurité et celle des autres est très importante.

Nous donnons de nombreux messages de sécurité importants dans ce manuel et sur votre appareil ménager. Assurez-vous de toujours lire tous les messages de sécurité et de vous y conformer.



Voici le symbole d'alerte de sécurité.

Ce symbole d'alerte de sécurité vous signale les dangers potentiels de décès et de blessures graves à vous et à d'autres.

Tous les messages de sécurité suivront le symbole d'alerte de sécurité et le mot "DANGER" ou "AVERTISSEMENT". Ces mots signifient :

**⚠ DANGER**

Risque possible de décès ou de blessure grave si vous ne suivez pas immédiatement les instructions.

**⚠ AVERTISSEMENT**

Risque possible de décès ou de blessure grave si vous ne suivez pas les instructions.

Tous les messages de sécurité vous diront quel est le danger potentiel et vous disent comment réduire le risque de blessure et ce qui peut se produire en cas de non-respect des instructions.

**AVERTISSEMENT : Si les renseignements dans ce manuel ne sont pas exactement observés, un incendie ou une explosion peut survenir, causant des dommages au produit, des blessures ou un décès.**

- Ne pas entreposer ni utiliser de l'essence ou d'autres vapeurs ou liquides inflammables à proximité de cet appareil ou de tout autre appareil électroménager.
- QUE FAIRE DANS LE CAS D'UNE ODEUR DE GAZ :
  - Ne pas tenter d'allumer un appareil.
  - Ne pas toucher à un commutateur électrique.
  - Ne pas utiliser le téléphone se trouvant sur les lieux.
  - Appeler immédiatement le fournisseur de gaz à partir du téléphone d'un voisin. Suivre ses instructions.
  - À défaut de joindre votre fournisseur de gaz, appeler les pompiers.
- L'installation et l'entretien doivent être effectués par un installateur qualifié, une agence de service ou le fournisseur de gaz.

**AVERTISSEMENT :** L'odorat ne permet pas toujours la détection d'une fuite de gaz.

Les distributeurs de gaz recommandent l'emploi d'un détecteur de gaz (homologation UL ou CSA).

Pour d'autre information, contacter le fournisseur de gaz local.

En cas de détection d'une fuite de gaz, exécuter les instructions "Que faire dans le cas d'une odeur de gaz".



Dans l'État du Massachusetts, les instructions d'installation suivantes sont applicables :

- Les travaux d'installation et réparation doivent être exécutés par un plombier ou tuyauteur qualifié ou licencié, ou par le personnel qualifié d'une entreprise licenciée par l'État du Massachusetts.
- Si une vanne à boisseau sphérique est utilisée, elle doit comporter une manette "T".
- Si un conduit de raccordement flexible est utilisé, sa longueur ne doit pas dépasser 3 pi.

## **⚠ AVERTISSEMENT**

### **Risque de basculement**

**Un enfant ou une personne adulte peut faire basculer la cuisinière ce qui peut causer un décès.**

**Joindre la bride antibasculement au pied arrière de la cuisinière.**

**Joindre de nouveau la bride antibasculement si la cuisinière est déplacée.**

**Le non-respect de ces instructions peut causer un décès ou des brûlures graves aux enfants et aux adultes.**



# EXIGENCES D'INSTALLATION

## Outils et composants

Rassembler les outils et composants nécessaires avant d'entreprendre l'installation. Lire et observer les instructions fournies avec chacun des outils de la liste ci-dessous.

### Outils nécessaires

- Mètre ruban
- Tournevis Phillips
- Foret T20 Torx†
- Tournevis à lame plate
- Tournevis à lame plate de 1/8"
- Niveau
- Perceuse manuelle ou électrique
- Clé ou pince
- Clé à tuyauterie
- Clé mixte de 15/16"
- Foret de 1/8" (3,2 mm)
- Tourne-écrou de 3/8"
- Marqueur ou crayon
- Composé d'étanchéité des raccords filetés – résistant au gaz propane
- Solution non-corrosive de détection des fuites

### Pour les conversions au gaz propane/naturel

- Clé mixte de 1/2"
- Tourne-écrou de 9/32" (7,0 mm)
- Ruban adhésif de masquage

### Pièces fournies

Vérifier que toutes les pièces sont présentes.

- 3 écrous hexagonaux de 10-32 (joints au bloc de raccordement)
- 3 attaches de bornes
- Ensemble de conversion au gaz propane/au gaz naturel (situé à l'arrière de la cuisinière en bas)
- Grilles de brûleur
- Chapeaux de brûleur
- Grilles du four
- 2 vis n° 12 de 15/16" (pour le montage des brides antibasculement)
- Bride antibasculement (fixée par du ruban adhésif à l'intérieur du four supérieur avec l'ensemble de documentation)

Les brides antibasculement doivent être bien fixées à la cloison arrière ou au plancher. La profondeur du plancher peut nécessiter des vis plus longues pour l'ancrage de la bride dans le sous-plancher. Des vis plus longues sont disponibles auprès de votre quincaillerie locale.

### Pièces nécessaires

#### Utilisation d'un cordon d'alimentation électrique :

- Cordon d'alimentation (homologation UL) conçu pour l'utilisation avec une cuisinière. Pour service 250 volts minimum, 40 A ou 50 A, compatible avec une ouverture de diamètre nominal 1 3/8" (3,5 cm) pour le raccordement, et avec cosses rondes ou en fourche à pointes relevées à l'extrémité de chaque conducteur.
- Serre-câble (homologation UL).

Vérifier les codes locaux et consulter le fournisseur de gaz. Vérifier l'alimentation en gaz et l'alimentation électrique existantes. Voir les sections "Spécifications électriques" et "Spécifications de l'alimentation en gaz".

Il est recommandé de faire réaliser tous les raccordements électriques par un électricien qualifié agréé.

## Exigences d'emplacement

**IMPORTANT :** Observer les dispositions de tous les codes et règlements en vigueur. Ne pas obstruer le flux de combustion et la ventilation.

- C'est à l'installateur qu'incombe la responsabilité de respecter les distances de séparation exigées, spécifiées sur la plaque signalétique (numéros de série/modèle) de l'appareil. La plaque signalétique est située derrière le tableau de commande et peut être orientée vers le haut pour pouvoir être consultée à partir de l'avant de la cuisinière.
- La cuisinière doit être installée à un endroit pratique dans la cuisine.
- Dans le cas d'une cuisinière encastrée, l'enceinte doit recouvrir complètement les côtés et l'arrière de la cuisinière.
- Afin de supprimer le risque de brûlures ou d'incendie en se penchant au-dessus des unités de surface chauffées, le rangement en placard au-dessus des unités de surface doit être évité. Si le rangement en placard est envisagé, le risque peut être réduit par l'installation d'une hotte de cuisinière ou un ensemble hotte/micro-ondes opérant horizontalement sur un minimum de 5" (12,7 cm) au-delà du bas des placards.
- Toutes les ouvertures dans le mur ou le plancher de l'emplacement d'installation de la cuisinière doivent être scellées.
- Ne pas réaliser un scellement entre la cuisinière et les placards latéraux.
- Respecter les dimensions indiquées pour les ouvertures à découper dans les placards. Ces dimensions constituent des valeurs minimales de dégagement.

- La bride antibasculement de plancher doit être installée. Pour l'installation de la bride antibasculement expédiée avec la cuisinière, voir la section "Installation de la bride antibasculement".
- Une source d'électricité avec liaison à la terre est nécessaire. Voir la section "Spécifications électriques".
- Une source de gaz adéquate doit être disponible. Voir la section "Spécifications de l'alimentation en gaz".
- Contacter un installateur de revêtement de sol qualifié, qui pourra déterminer si le revêtement de sol peut résister à une température d'au moins 200°F (93°C).
- Dans le cas de l'installation de la cuisinière sur un revêtement de moquette, placer sous la cuisinière une plaque d'appui isolée, ou une plaque de contreplaqué de ¼" (0,64 cm).

**IMPORTANT :** Pour éviter d'endommager les placards, consulter le constructeur de la maison ou le fabricant des placards pour déterminer si les matériaux utilisés peuvent subir un changement de couleur, une déstratification ou d'autres dommages. Ce four a été conçu conformément aux exigences des normes UL et CSA International et respecte les températures maximales permises de 194°F (90°C) pour les placards en bois.

### Résidence mobile – Spécifications additionnelles à respecter lors de l'installation

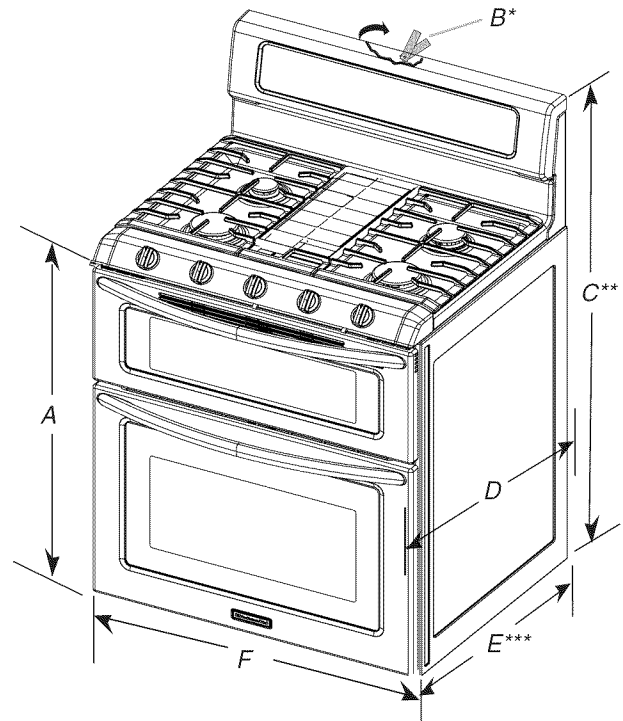
L'installation de cette cuisinière doit être conforme aux dispositions de la norme Manufactured Home Construction and Safety Standard, Title 24 CFR, Part 3280 (anciennement Federal Standard for Mobile Home Construction and Safety, Title 24, HUD Part 280). Lorsque cette norme n'est pas applicable, l'installation doit satisfaire aux critères de la norme Standard for Manufactured Home Installations, ANSI A225.1/NFPA 501A ou aux dispositions des codes locaux.

Au Canada, l'installation de cette cuisinière doit satisfaire aux stipulations de la version la plus récente de la norme CAN/CSA-A240 ou des codes locaux en vigueur.

### Autres critères à respecter pour une installation en résidence mobile :

- Dans le cas de l'installation de cette cuisinière dans une résidence mobile, la cuisinière doit être fixée au plancher durant tout déplacement du véhicule. Toute méthode de fixation de la cuisinière est adéquate dans la mesure où elle satisfait aux critères des normes mentionnées ci-dessus.
- Pour une installation en résidence mobile, un câble ou cordon d'alimentation à quatre fils doit être utilisé. Le câblage de l'appareil devra être révisé. Voir la section "Raccordement électrique".

## Dimensions du produit



A. Hauteur minimale jusqu'à la partie inférieure de la table de cuisson avec les pieds de nivellement complètement abaissés :  $35\frac{3}{4}'' \pm \frac{1}{8}''$  ( $90,8 \pm 0,3$  cm)\*

B. Plaque signalétique (numéros de modèle et de série) [située derrière le panneau de commande]\*

C. Hauteur minimale d'ensemble jusqu'à la partie inférieure de la table de cuisson avec les pieds de nivellement complètement abaissés :  $47\frac{1}{8}'' \pm \frac{1}{8}''$  ( $119,7 \pm 0,3$  cm)\*

D.  $28\frac{1}{2}'' \pm \frac{1}{4}''$  ( $72,4 \pm 0,6$  cm) de profondeur avec poignée

E.  $26\frac{1}{8}'' \pm \frac{1}{8}''$  ( $66,4 \pm 0,3$  cm)\*\*\*

F.  $29\frac{15}{16}'' \pm \frac{1}{16}''$  ( $76,0 \pm 0,2$  cm) de largeur

\*Les plaques signalétiques (numéros de série/modèle) peuvent être orientées derrière le panneau de commande pour être vues à l'avant de la cuisinière.

\*\*La cuisinière peut être surélevée d'environ 1" (2,5 cm) en réglant les pieds de nivellement.

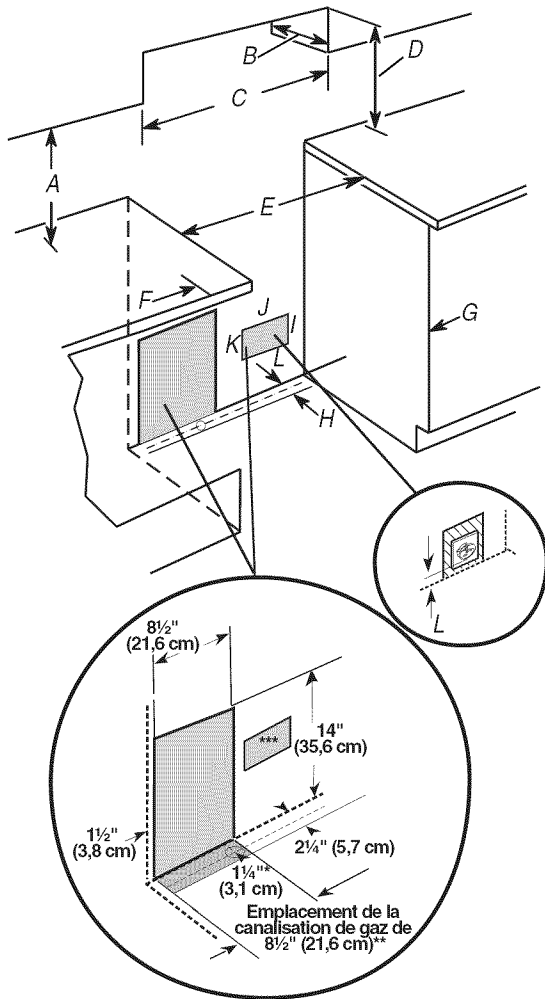
\*\*\*Hors poignée. Les dimensions données sont du mur à l'avant de la porte du four et varient en fonction de l'installation de la prise d'alimentation électrique.

## Dimensions du placard

Les dimensions de l'espace d'installation entre les placards correspondent à une installation entre des placards de 24" (61,0 cm) avec plan de travail de 25" (64 cm) de profondeur et hauteur de 36" (91,4 cm).

**IMPORTANT :** En cas d'installation d'une hotte ou d'un ensemble hotte/micro-ondes au-dessus de la cuisinière, suivre les instructions fournies avec la hotte ou l'ensemble hotte/micro-ondes concernant les dimensions de dégagement à respecter au-dessus de la surface de la table de cuisson.

Il est possible d'installer la cuisinière de manière à ce qu'elle soit en contact avec des matériaux de construction combustibles à l'arrière et sur les côtés, en dessous de la table de cuisson.



- A. 18" (45,7 cm) entre le placard supérieur et le plan de travail
- B. Profondeur des placards supérieurs : 13" (33 cm)
- C. Largeur de l'ouverture 30" (76,2 cm) min.
- D. Pour la distance libre minimale vers la partie supérieure de la table de cuisson, voir la REMARQUE.
- E. Largeur de l'ouverture 30" (76,2 cm) min.
- F. Dégagement de 3" (7,6 cm) min. entre les deux côtés de la cuisinière et les parois latérales ou d'autres matériaux combustibles.
- G. La porte ou charnière du placard ne doit pas dépasser à l'intérieur de l'ouverture.
- H. Distance à partir du mur de 3" (7,6 cm)
  - I. 1 1/2" (3,8 cm) min. à partir du côté droit du placard
- J. 8" (20,3 cm) de largeur
- K. 7" (17,8 cm) min. du sol
- L. 2" (5,1 cm) min. du sol

\*Percer sur l'axe central à 1 1/4" (3,1 cm) du mur arrière pour la canalisation de gaz.

\*\*Les canalisations de gaz doivent être installées dans la zone ombrée afin de garantir un alignement correct de ce four avec les placards.

\*\*\*Les prises électriques encastrées doivent être installées dans la zone ombrée pour garantir un alignement correct de ce four avec les placards.

**REMARQUE :** Distance minimale de séparation de 24" (61,0 cm) lorsque le fond d'un placard de bois ou de métal est protégé par une planche ignifugée d'au moins 1/4" (0,64 cm) recouverte d'une feuille métallique d'épaisseur égale ou supérieure à : acier calibre 28 MSG, acier inoxydable 0,015" (0,4 mm), aluminium 0,024" (0,6 mm), ou cuivre 0,020" (0,5 mm).

Distance minimale de séparation de 30" (76,2 cm) entre le dessus de la table de cuisson et le fond d'un placard de bois ou de métal non protégé.

## Spécifications électriques

### ⚠ AVERTISSEMENT



#### Risque de choc électrique

**Relier la cuisinière à la terre.**

**Le non-respect de cette instruction peut causer un décès, un incendie ou un choc électrique.**

Si les codes en vigueur le permettent et qu'un conducteur distinct de liaison à la terre est utilisé, on recommande qu'un électricien qualifié vérifie que la liaison à la terre et la taille du conducteur de liaison à la terre sont adéquates et conformes aux prescriptions des codes locaux.

Vérifier que le raccordement à la source d'électricité et le calibre des conducteurs sont conformes aux prescriptions de la plus récente édition des normes CSA C22.1, partie 1 - Code canadien de l'électricité, et de tout code ou règlement local en vigueur.

On peut obtenir un exemplaire des normes ci-dessus auprès de :

Canadian Standards Association  
178 Rexdale Blvd.  
Toronto, ON M9W 1R3 CANADA

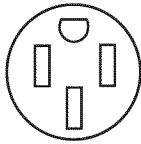
- En cas de doute quant à la qualité de la liaison à la terre de la cuisinière, consulter un électricien qualifié.

Spécifications électriques pour la cuisinière*		Spécifications pour cordon d'alimentation	Protection du circuit
120/240 volts	120/208 volts	Ampères	Ampères
8,8 - 16,5 KW	7,8 - 12,5 KW	40	40 ou 50
16,6 - 22,5 KW	12,6 - 18,5 KW	50	50

\*La charge NEC calculée est inférieure à la charge totale connectée indiquée sur la plaque signalétique.

- On recommande l'emploi de fusibles temporisés ou disjoncteurs.

- Cette cuisinière est dotée d'un cordon d'alimentation (homologation CSA International) destiné à être branché sur une prise de courant murale standard 14-50R. Veiller à ce que la prise de courant murale soit placée à portée de la position de service finale de la cuisinière.



- Ne pas utiliser de câble de rallonge.

## Spécifications de l'alimentation en gaz

### **⚠ AVERTISSEMENT**



#### Risque d'explosion

Utiliser une canalisation neuve d'arrivée de gaz approuvée par la CSA International.

Installer un robinet d'arrêt.

Bien serrer chaque organe de connexion de la canalisation de gaz.

En cas de connexion au gaz propane, demander à une personne qualifiée de s'assurer que la pression de gaz ne dépasse pas 36 cm (14 po) de la colonne d'eau.

Par personne qualifiée, on comprend :

le personnel autorisé de chauffage,  
le personnel autorisé d'une compagnie de gaz, et  
le personnel d'entretien autorisé.

Le non-respect de ces instructions peut causer un décès, une explosion ou un incendie.

Observer toutes les prescriptions des codes et règlements en vigueur.

**IMPORTANT :** L'installation doit satisfaire aux critères de tous les codes et règlements locaux. En l'absence de code local, l'installation doit satisfaire aux prescriptions de la plus récente édition du code national en vigueur : National Fuel Gas Code ANSI Z223.1 (American National Standard), ou CAN/CGA B149 (édition la plus récente).

**IMPORTANT :** Les tests de fuite de la cuisinière doivent être effectués selon les instructions du fabricant.

## Type de gaz

### Gaz naturel :

La conception de cette cuisinière a été homologuée par CSA International pour l'alimentation au gaz naturel, ou pour l'alimentation au propane après conversion adéquate.

- Cette cuisinière a été configurée à l'usine pour l'alimentation au gaz naturel. Voir la section "Conversions pour changement de gaz". La plaque signalétique située derrière la porte du grill, du côté gauche du châssis de la porte du four, contient des renseignements sur les types de gaz qui peuvent être utilisés. Si le type de gaz disponible n'est pas mentionné sur la plaque signalétique, consulter le fournisseur de gaz local.

### Conversion pour l'alimentation au propane :

L'opération de conversion doit être exécutée par un technicien qualifié.

Consulter le fournisseur de gaz avant toute conversion de l'appareil pour l'utilisation d'un type de gaz qui n'est pas mentionné sur la plaque signalétique. Voir la section "Conversions pour changement de gaz".

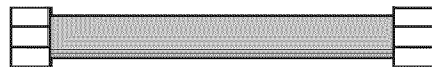
## Canalisation de gaz

Installer une canalisation de gaz rigide de ¾" (1,9 cm) jusqu'à l'emplacement d'installation de la cuisinière. L'emploi d'une canalisation de plus petit diamètre ou plus longue peut susciter une déficience du débit d'alimentation. Pour l'alimentation au propane, le diamètre des canalisations doit être de ½" (1,3 cm) ou plus. Usuellement le fournisseur de gaz propane détermine les matériaux à utiliser et la dimension appropriée.

**REMARQUE :** On doit utiliser un composé d'étanchéité des tuyauteries résistant à l'action du gaz de pétrole liquéfié. Ne pas utiliser de ruban TEFLON®†.

### Raccord métallique flexible :

- Si le code local le permet, on peut utiliser pour raccorder la cuisinière à la canalisation de gaz un raccord métallique flexible neuf (homologation CSA) de 4 à 5 pi (122 à 152,4 cm) de longueur, de diamètre interne de ½" (1,3 cm) ou ¾" (1,9 cm).

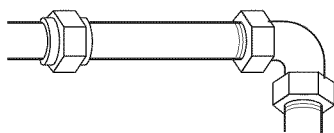


- Un raccord avec filetage mâle de ½" (1,3 cm) est nécessaire pour la connexion sur le raccord à filetage femelle à l'entrée du détendeur de l'appareil.
- Veiller à ne pas déformer/écraser/endommager le tube métallique flexible lors d'un déplacement de la cuisinière.

†®TEFLON est une marque déposée de E.I. Du Pont De Nemours et Compagnie

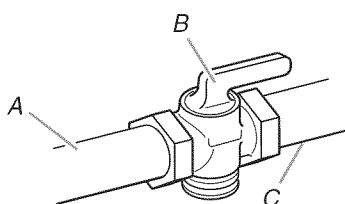
### Raccordement par un ensemble rigide :

On doit utiliser une combinaison de raccords pour réaliser un raccordement rigide entre la cuisinière et la canalisation de gaz. Le tuyau rigide doit se trouver au même niveau que le raccord de connexion de la cuisinière. On doit veiller à ne soumettre les sections de canalisation d'alimentation à aucun effort de traction ou flexion, pour que la cuisinière soit d'aplomb et correctement alignée.



#### ■ Robinet d'arrêt nécessaire :

La canalisation d'alimentation doit comporter un robinet d'arrêt manuel. Le robinet d'arrêt manuel doit être séparé de la cuisinière, mais doit se trouver dans la même pièce en un endroit où il sera facilement accessible pour les manœuvres d'ouverture/fermeture. Ne pas entraver l'accès au robinet d'arrêt manuel. Le robinet d'arrêt manuel est prévu pour ouvrir ou fermer l'alimentation en gaz de la cuisinière.



A. Canalisation de gaz  
B. Robinet d'arrêt manuel - position d'ouverture  
C. Vers la cuisinière

### Détendeur de gaz

Le détendeur fourni avec cette cuisinière doit être utilisé. Pour un fonctionnement correct, la pression d'alimentation du détendeur doit être comme suit :

#### Gaz naturel :

Pression minimum : 5" (colonne d'eau)

Pression maximum : 14" (colonne d'eau)

#### Gaz propane :

Pression minimum : 11" (colonne d'eau)

Pression maximum : 14" (colonne d'eau)

En cas d'incertitude quant à la pression d'alimentation à établir, contacter le fournisseur de gaz local.

### Débit thermique des brûleurs

Les débits thermiques indiqués sur la plaque signalétique correspondent à une altitude d'utilisation inférieure à 2000 pi (609,6 m).

Lorsque l'appareil est utilisé à une altitude supérieure à 2000 pi (609,6 m), on doit réduire le débit thermique indiqué de 4 % pour chaque tranche de 1000 pi (304,8 m) au-dessus du niveau de la mer (pas applicable au Canada).

### Tests de pressurisation de la canalisation de gaz

On doit tester le détendeur sous une pression supérieure d'au moins 1" à la pression de la tubulure de distribution indiquée sur la plaque signalétique.

#### Pressurisation à une pression supérieure à ½ lb/po<sup>2</sup> (14" - colonne d'eau)

Lors de tout test de pressurisation de ce système à une pression supérieure à ½ lb/po<sup>2</sup> (3,5 kPa), on doit déconnecter l'appareil et son robinet d'arrêt individuel de la canalisation de gaz.

#### Pressurisation à une pression inférieure à ½ lb/po<sup>2</sup> (14" - colonne d'eau)

Lors de tout test de pressurisation de la canalisation de gaz à une pression égale ou inférieure à ½ lb/po<sup>2</sup> (3,5 kPa), on doit isoler l'appareil de la canalisation de gaz par fermeture de son robinet d'arrêt manuel individuel.

# INSTRUCTIONS D'INSTALLATION

## Déballage de la cuisinière

### **⚠ AVERTISSEMENT**

#### Risque du poids excessif

Utiliser deux ou plus de personnes pour déplacer et installer la cuisinière.

Le non-respect de cette instruction peut causer une blessure au dos ou d'autre blessure.

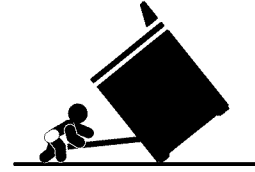
1. Ôter les matériaux d'emballage, le ruban adhésif et le film de la cuisinière. Laisser la base de carton sous la cuisinière.
2. Retirer les grilles de four et le sachet de pièces de l'intérieur du four.
3. Pour placer la cuisinière sur sa partie postérieure, sortir les 4 coins de protection du carton d'emballage. Empiler l'un des coins sur un autre. Répéter avec les 2 autres coins. Les disposer sur le plancher dans le sens de la longueur derrière la cuisinière en guise de support lorsque la cuisinière est placée sur sa partie postérieure.
4. À l'aide de deux personnes ou plus, saisir fermement la cuisinière et la poser délicatement sur sa partie postérieure, sur les coins de protection.
5. Tirer fermement sur la partie inférieure du carton pour le retirer.
6. Utiliser une clé à molette pour desserrer les pieds de nivellement.
7. Placer le carton ou le panneau de fibres dur devant la cuisinière. À l'aide de deux personnes ou plus, relever la cuisinière et la placer sur le carton ou sur le panneau de fibres dur.

## Réglage des pieds de nivellement

1. Si un ajustement de la hauteur de la cuisinière est nécessaire, utiliser une clé ou une pince pour desserrer les 4 pieds de nivellement.  
Ceci doit être effectué alors que la cuisinière repose sur sa partie postérieure ou qu'elle est soutenue par 2 pieds après avoir été replacée en position verticale.

**REMARQUE :** Pour replacer la cuisinière en position verticale, placer un carton ou un panneau de fibres dur devant la cuisinière. À l'aide de deux personnes ou plus, relever la cuisinière et la placer sur le carton ou le panneau de fibres dur.

### **⚠ AVERTISSEMENT**



#### Risque de basculement

Un enfant ou une personne adulte peut faire basculer la cuisinière ce qui peut causer un décès.

Joindre la bride antibasculement au pied arrière de la cuisinière.

Joindre de nouveau la bride antibasculement si la cuisinière est déplacée.

Le non-respect de ces instructions peut causer un décès ou des brûlures graves aux enfants et aux adultes.

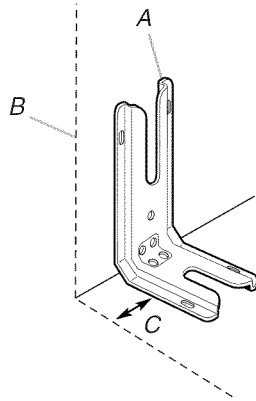
2. Ajuster les pieds de nivellement à la hauteur nécessaire. Les pieds de nivellement peuvent être desserrés pour ajouter une hauteur maximale de 1" (2,5 cm). Un minimum de  $\frac{3}{16}$ " (5,0 mm) est nécessaire pour engager la bride antibasculement.

**REMARQUE :** Si un ajustement de la hauteur est effectué alors que la cuisinière est debout, incliner la partie arrière de la cuisinière pour ajuster les pieds avant, puis incliner la cuisinière vers l'avant pour ajuster les pieds arrière.

3. Lorsque la cuisinière est à la hauteur souhaitée, vérifier qu'il y a un espace suffisant sous la cuisinière pour loger la bride antibasculement. Avant de faire glisser la cuisinière à son emplacement final, vérifier qu'il sera possible de faire glisser la bride antibasculement sous la cuisinière et sur le pied de nivellement arrière avant l'installation de la bride antibasculement.

## Installation de la bride antibasculement

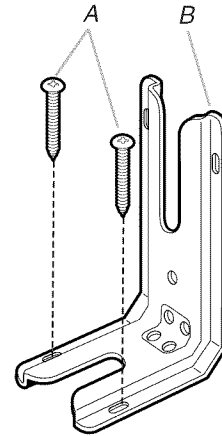
1. Retirer la bride antibasculement située dans le four supérieur avec l'ensemble de documents d'installation.
2. Déterminer la méthode de montage à utiliser : au plancher ou au mur.  
Pour un plancher en pierre ou en briquetage, on peut utiliser la méthode de montage au mur.
3. Déterminer et marquer l'emplacement du bord de la cuisinière dans l'espace à découper. On peut installer la bride de montage du côté gauche ou droit du découpage. Positionner la bride de montage dans la zone découpée de façon à ce que le bord droit (ou gauche) de la bride se trouve à  $1\frac{5}{16}$ " (2,4 cm) de l'emplacement du bord de la cuisinière, tel qu'illustré.



A. Bride antibasculement  
B. Marquage de l'emplacement du bord de la cuisinière  
C.  $1\frac{5}{16}$ " (2,4 cm)

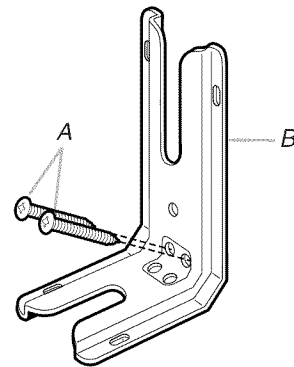
4. Percer deux trous de  $\frac{1}{8}$ " (3,0 mm) qui correspondent aux trous de la bride selon la méthode de montage déterminée. Voir ci-dessous.

### Montage au plancher



A. Vis n°12 x  $1\frac{5}{8}$ "  
B. Bride antibasculement

### Montage au mur



A. Vis n°12 x  $1\frac{5}{8}$ "  
B. Bride antibasculement

5. À l'aide d'un tournevis Phillips, monter la bride antibasculement sur le mur ou sur le plancher avec les deux vis n° 12 x  $1\frac{5}{8}$ " fournies.



## Raccordement au gaz

### **⚠ AVERTISSEMENT**



#### Risque d'explosion

Utiliser une canalisation neuve d'arrivée de gaz approuvée par la CSA International.

Installer un robinet d'arrêt.

Bien serrer chaque organe de connexion de la canalisation de gaz.

En cas de connexion au gaz propane, demander à une personne qualifiée de s'assurer que la pression de gaz ne dépasse pas 36 cm (14 po) de la colonne d'eau.

Par personne qualifiée, on comprend :

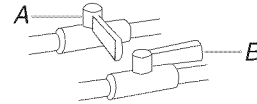
le personnel autorisé de chauffage,  
le personnel autorisé d'une compagnie de gaz, et  
le personnel d'entretien autorisé.

Le non-respect de ces instructions peut causer un décès, une explosion ou un incendie.

4. Le conduit d'alimentation en gaz doit être installé avec dégagement suffisant, tel qu'indiqué dans l'illustration "Dimensions du placard" de la section "Exigences d'emplacement".

#### Terminer le raccordement

1. Ouvrir le robinet d'arrêt manuel sur la canalisation de gaz. Le robinet est ouvert lorsque la manette est parallèle à la canalisation de gaz.

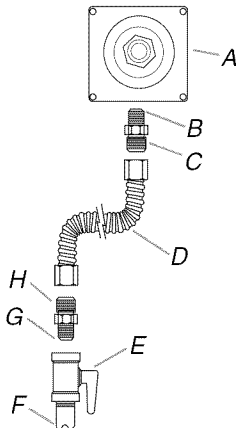


A. Robinet fermé  
B. Robinet ouvert

2. Vérifier tous les raccordements en les badigeonnant d'une solution de détection des fuites non corrosive approuvée. L'apparition de bulles indique une fuite. Réparer toute fuite éventuelle.
3. Ôter les chapeaux et grilles de brûleur de la table de cuisson du sachet de pièces. Aligner les renforcements des chapeaux de brûleur avec les broches se trouvant sur la base du brûleur. Un chapeau de brûleur correctement placé doit être horizontal. Si le chapeau de brûleur n'est pas correctement placé, le brûleur ne peut s'allumer. Placer les grilles de brûleur sur les brûleurs et les chapeaux.
4. Brancher la cuisinière ou reconnecter la source de courant électrique.

#### Raccordement typique par raccord flexible

1. Appliquer une pâte à joints spéciale pour tuyauteries propane sur les extrémités du petit filetage des raccords d'adaptation flexibles (voir B et G dans l'illustration suivante).
2. Fixer un raccord d'adaptation sur le détendeur et l'autre raccord d'adaptation sur le robinet d'arrêt de la canalisation de gaz. Serrer les deux raccords d'adaptation.
3. À l'aide d'une clé mixte de 15/16" et d'une clé à molette, visser le raccord flexible sur les raccords d'adaptation. Veiller à ne pas déformer/écraser le raccord flexible.



A. Détendeur

B. Utiliser une pâte à joints.

C. Raccord d'adaptation (avec filetage mâle NPT de 1/2")

D. Raccord flexible

E. Robinet d'arrêt manuel

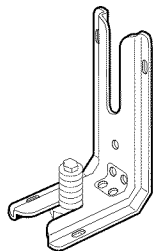
F. Tuyau de gaz de 1/2" ou 3/4"

G. Utiliser une pâte à joints.

H. Raccord d'adaptation

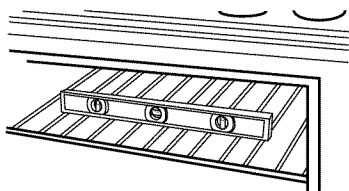
## Vérification de l'emplacement de la bride antibasculement

1. Approcher la cuisinière de l'espace d'installation entre les placards.
2. Retirer la feuille de carton ou le panneau de fibres dur placé sous la cuisinière. À l'aide d'au moins deux personnes, pousser prudemment la cuisinière jusqu'à sa position finale.
3. Utiliser une lampe de poche pour inspecter le dessous de la cuisinière afin de vérifier que la bride antibasculement est bien installée.
  - Vérifier que la bride antibasculement est bien fixée au plancher ou au mur.
  - Faire glisser de nouveau la cuisinière de façon à ce que le pied arrière de la cuisinière se trouve sous la bride antibasculement.



## Réglage de l'aplomb de la cuisinière

1. Placer la grille dans le four.
2. Placer un niveau sur la grille et contrôler l'aplomb de la cuisinière, d'abord transversalement, puis d'avant en arrière.



3. Si la cuisinière n'est pas d'aplomb, la tirer vers l'avant de façon à ce que le pied de nivellement arrière se dégage de la bride antibasculement.
4. Utiliser une clé pour régler les pieds de nivellement vers le haut ou vers le bas jusqu'à ce que la cuisinière soit d'aplomb. Pousser pour la remettre en place.
5. Vérifier que le pied de nivellement arrière est engagé dans la bride antibasculement. Vérifier que le câble flexible ou le cordon électrique ne sont pas déformés.

**REMARQUE :** Il faut que l'appareil soit d'aplomb pour que le four produise une performance satisfaisante.

## Système d'allumage électronique

### Allumage initial et réglages des flammes

À la place de flammes de veille, les brûleurs de la table de cuisson sont dotés d'allumeurs électroniques. Lorsqu'on place le bouton de commande d'un brûleur de la table de cuisson à la position "LITE" (allumage), le système génère des étincelles pour l'allumage du brûleur. La génération d'étincelles se poursuit aussi longtemps que le bouton de commande est laissé à la position "LITE".

### Contrôle du fonctionnement des brûleurs de la table de cuisson

#### Brûleurs standard de la table de cuisson

Enfoncer et tourner chaque bouton de commande à la position "LITE".

Les flammes doivent s'allumer sur le brûleur en moins de 4 secondes. Lors de l'allumage initial du brûleur, le délai d'allumage peut être supérieur à 4 secondes du fait de la présence d'air dans la canalisation de gaz.

#### Si le brûleur ne s'allume pas correctement :

- Ramener le bouton de commande de la table de cuisson à la position "OFF" (arrêt).
- Vérifier que la cuisinière est branchée et correctement alimentée (fusible grillé? disjoncteur ouvert?)
- Vérifier que chaque robinet d'arrêt est ouvert.
- Vérifier que les chapeaux de brûleur sont correctement placés sur les bases de brûleur.

Répéter le processus de mise en marche. Si à ce stade un brûleur ne s'allume pas, tourner les boutons de commande à "Off" (arrêt) et contacter le revendeur ou un dépanneur agréé.

#### Brûleurs de surface à commande tactile (sur certains modèles)

Appuyer sur la touche "On" (marche) pour commander la table de cuisson.

Appuyer sur + ou - pour régler la hauteur de la flamme des brûleurs. La flamme doit s'allumer sur le brûleur en moins de 4 secondes. Lors de l'allumage initial du brûleur, le délai d'allumage peut être supérieur à 4 secondes du fait de la présence d'air dans la canalisation de gaz.

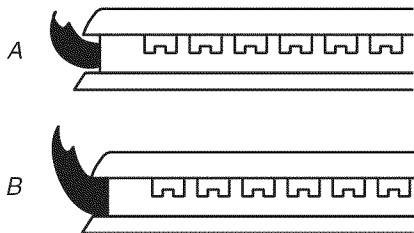
#### Si le brûleur ne s'allume pas correctement :

- Appuyer sur la touche "On" (marche) pour commander la table de cuisson.
- Vérifier que la cuisinière est branchée et correctement alimentée (fusible grillé? disjoncteur ouvert?)
- Vérifier que chaque robinet d'arrêt est ouvert.
- Vérifier que les chapeaux de brûleur sont correctement placés sur les bases de brûleur.

Répéter le processus de mise en marche. Si à ce stade un brûleur ne s'allume pas, tourner les boutons de commande à "Off" (arrêt) et contacter le revendeur ou un dépanneur agréé.

## Réglage de la taille des flammes

Régler la taille des flammes sur le brûleur de la table de cuisson. Pour le réglage au débit thermique minimum du brûleur de la table de cuisson, on doit observer une flamme stable bleue d'environ ¼" (0,64 cm) de hauteur.



A. Débit thermique minimum  
B. Débit thermique maximum

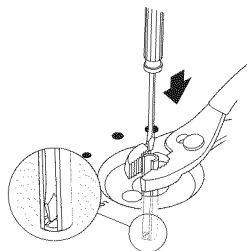
### Réglage des brûleurs standard

La vis de réglage au centre de la tige de commande du robinet permet de régler la taille des flammes. La tige de commande est située directement au-dessous du bouton de commande.

**S'il est nécessaire de régler la taille des flammes pour le débit thermique minimum :**

1. Allumer un brûleur et le placer au réglage thermique le plus faible.
2. Ôter le bouton de commande.

Immobiliser la tige de commande avec une pince. Utiliser un tournevis à lame plate de ⅛" (3 mm) pour faire tourner la vis située au centre de la tige du bouton de commande; ajuster les flammes à la taille désirée.



3. Réinstaller le bouton de commande.
4. Tester le fonctionnement du brûleur : faire passer le bouton de commande de la position "LO" (basse) à la position "HI" (élevée) et observer les flammes pour chaque réglage.
5. Répéter les étapes ci-dessus pour chaque brûleur.

## Achever l'installation

1. Vérifier que toutes les pièces sont maintenant installées. S'il reste une pièce, passer en revue les différentes étapes pour découvrir laquelle aurait été oubliée.
2. Vérifier la présence de tous les outils.
3. Jeter/recycler tous les matériaux d'emballage.
4. Vérifier que la cuisinière est d'aplomb. Voir "Réglage de l'aplomb de la cuisinière".
5. Utiliser une solution d'eau tiède et de nettoyant ménager doux pour éliminer tout résidu de cire laissé par les matériaux de l'emballage. Sécher parfaitement avec un linge doux. Pour plus d'informations, consulter la section "Entretien de la cuisinière" dans le Guide d'utilisation et d'entretien.
6. Lire la section "Utilisation de la cuisinière" dans le Guide d'utilisation et d'entretien.
7. Mettre en marche les brûleurs de surface et le four. Pour des instructions spécifiques concernant l'utilisation de la cuisinière, consulter le Guide d'utilisation et d'entretien.

### Si la cuisinière ne fonctionne pas, contrôler ce qui suit :

- Les fusibles du domicile sont intacts et serrés; le disjoncteur n'est pas déclenché.
- La cuisinière est branchée sur une prise électrique.
- La prise de courant est correctement alimentée.
- Consulter la section "Dépannage" dans le Guide d'utilisation et d'entretien.

### Si vous avez besoin d'assistance ou de service :

Consulter la section "Assistance ou service" du Guide d'utilisation et d'entretien ou contacter le marchand chez qui vous avez acheté votre cuisinière.

# CONVERSIONS DE GAZ

Les conversions pour changement de gaz naturel à gaz propane ou de gaz propane à gaz naturel doivent être effectuées par un installateur qualifié.

## ⚠ AVERTISSEMENT



### Risque d'explosion

Utiliser une canalisation neuve d'arrivée de gaz approuvée par la CSA International.

Installer un robinet d'arrêt.

Bien serrer chaque organe de connexion de la canalisation de gaz.

En cas de connexion au gaz propane, demander à une personne qualifiée de s'assurer que la pression de gaz ne dépasse pas 36 cm (14 po) de la colonne d'eau.

Par personne qualifiée, on comprend :

le personnel autorisé de chauffage,  
le personnel autorisé d'une compagnie de gaz, et  
le personnel d'entretien autorisé.

Le non-respect de ces instructions peut causer un décès, une explosion ou un incendie.

## Conversion pour l'alimentation au gaz propane

## ⚠ AVERTISSEMENT



### Risque de basculement

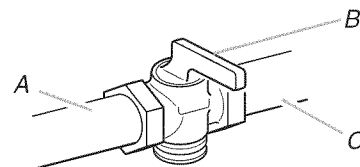
Un enfant ou une personne adulte peut faire basculer la cuisinière ce qui peut causer un décès.

Joindre la bride antibasculement au pied arrière de la cuisinière.

Joindre de nouveau la bride antibasculement si la cuisinière est déplacée.

Le non-respect de ces instructions peut causer un décès ou des brûlures graves aux enfants et aux adultes.

1. Fermer le robinet d'arrêt manuel.

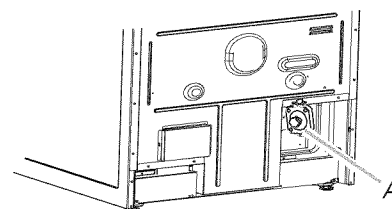


A. Vers la cuisinière  
B. Robinet d'arrêt (position de fermeture)  
C. Canalisation de gaz

2. Débrancher la cuisinière ou déconnecter la source de courant électrique.

### Conversion du détendeur

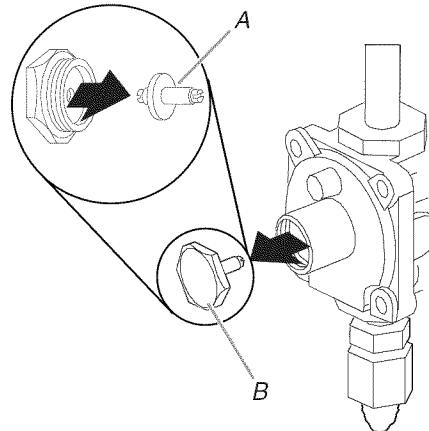
1. Déterminer l'emplacement du détendeur à l'arrière de la cuisinière.



A. Détendeur

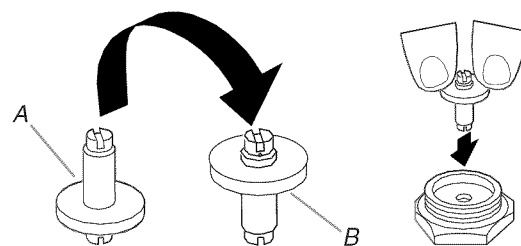
**IMPORTANT :** Ne pas enlever le détendeur.

2. Dévisser le chapeau à tête hexagonale du détendeur et retirer la goupille du détendeur.



A. Goupille du détendeur  
B. Chapeau du détendeur

3. Emboîter la goupille sur le détendeur et l'enclencher fermement en place.

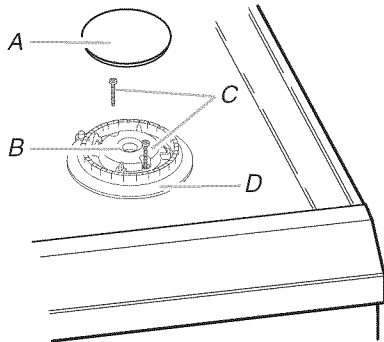


A. Position pour gaz naturel  
B. Position pour gaz propane

4. Revisser le chapeau à forme hexagonale du détendeur. Ne pas serrer excessivement.

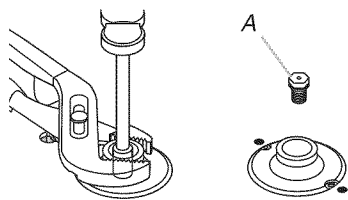
### Conversion des brûleurs de surface :

1. Enlever les grilles de brûleur si elles sont installées.
2. Ôter les chapeaux de brûleur.
3. À l'aide d'un tournevis Phillips ou T20 Torx<sup>†</sup>, retirer la base du brûleur.



A. Chapeau de brûleur  
B. Ouverture du tube d'arrivée de gaz  
C. Vis de la base du brûleur  
D. Base du brûleur

4. Appliquer du ruban adhésif de masquage à l'extrémité d'un tourne-écrou de  $\frac{9}{32}$ " (7,0 mm) pour retenir le gicleur de gaz naturel dans le tourne-écrou durant l'extraction. Positionner le tourne-écrou sur le gicleur de gaz naturel; tourner dans le sens antihoraire pour dévisser, et extraire le gicleur. Conserver le gicleur pour gaz naturel.



A. Gicleur pour gaz naturel

Le tableau qui suit permet de sélectionner le gicleur pour gaz propane correct pour chaque brûleur. Se référer à la plaque signalétique (numéros de série/modèle) située derrière le panneau de commande pour déterminer la taille adéquate des gicleurs pour gaz propane pour chacun des brûleurs.

### Tableau de sélection des gicleurs pour gaz propane

Puissance thermique	Couleur	Numéro
4000 BTU	Jaune	70L
7000 BTU	Noir	81L
9100 BTU	Vert	97L
14 000 BTU	Rouge	111L

5. Remplacer le gicleur pour gaz naturel par le gicleur pour propane correct. Voir le "Tableau de sélection des gicleurs pour gaz propane".
6. Réinstaller la base de brûleur et serrer les vis à la main.
7. Réinstaller le chapeau de brûleur.
8. Répéter les étapes 1 à 7 pour les autres brûleurs.
9. Placer les gicleurs pour gaz naturel dans le sachet de plastique comprenant pièces et documents fournis avec l'appareil, pour pouvoir les réutiliser ultérieurement.
10. Réinstaller les grilles des brûleurs.
11. Acheter l'installation. Voir les sections "Raccordement au gaz" et "Système d'allumage électronique".

Il est très important de vérifier l'établissement de flammes correctes sur les brûleurs de la table de cuisson. Il doit y avoir un petit cône interne bleu distinct d'une longueur de  $\frac{1}{4}$ " à  $\frac{1}{2}$ ". La partie externe des flammes n'est pas aussi distincte que le cône interne. Les flammes d'un brûleur alimenté au gaz propane comportent une pointe légèrement jaune.

**IMPORTANT :** Il peut être nécessaire de modifier le réglage des flammes à la position "LO" (débit thermique minimum) pour chaque brûleur de la table de cuisson.

### Conversion pour l'alimentation au gaz naturel

## ⚠ AVERTISSEMENT



### Risque de basculement

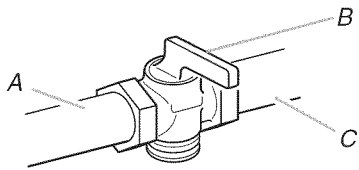
Un enfant ou une personne adulte peut faire basculer la cuisinière ce qui peut causer un décès.

Joindre la bride antibasculement au pied arrière de la cuisinière.

Joindre de nouveau la bride antibasculement si la cuisinière est déplacée.

Le non-respect de ces instructions peut causer un décès ou des brûlures graves aux enfants et aux adultes.

1. Fermer le robinet d'arrêt manuel.

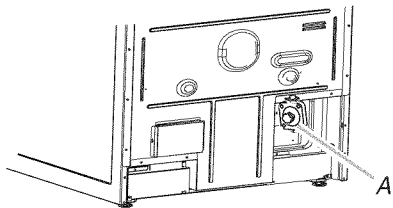


- A. Vers la cuisinière
- B. Robinet d'arrêt (position de fermeture)
- C. Canalisation de gaz

2. Débrancher la cuisinière ou déconnecter la source de courant électrique.

### Conversion du détendeur

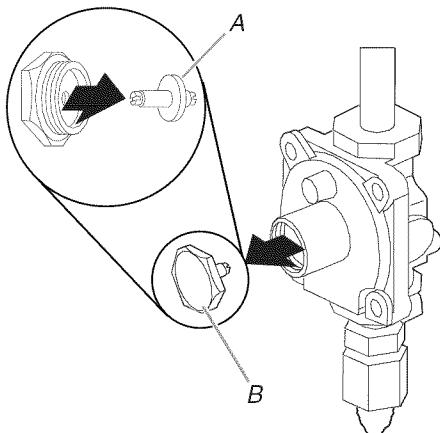
1. Déterminer l'emplacement du détendeur à l'arrière de la cuisinière.



A. Détendeur

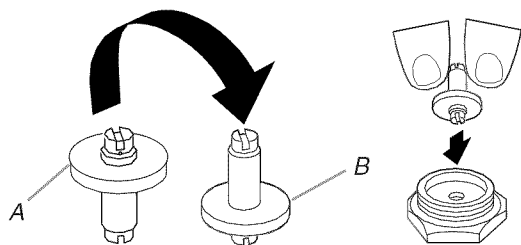
**IMPORTANT :** Ne pas retirer le détendeur.

2. Dévisser le capuchon à tête hexagonale du détendeur et retirer la goupille du détendeur.



A. Goupille du détendeur  
B. Chapeau du détendeur

3. Emboîter la goupille sur le détendeur et l'enclencher fermement en place.

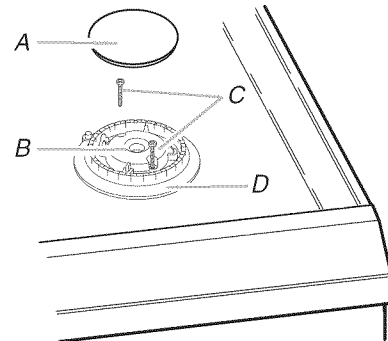


A. Position pour gaz propane  
B. Position pour gaz naturel

4. Revisser le chapeau à forme hexagonale du détendeur. Ne pas serrer excessivement.

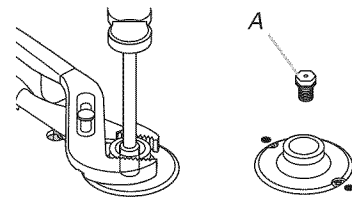
### Utilisation des brûleurs de surface :

1. Enlever les grilles de brûleur si elles sont installées.
2. Ôter les chapeaux de brûleur.
3. À l'aide d'un tournevis Phillips ou T20 Torx®, retirer la base du brûleur.



A. Chapeau de brûleur  
B. Ouverture du tube d'arrivée de gaz  
C. Vis de la base du brûleur  
D. Base du brûleur

4. Appliquer du ruban adhésif de masquage à l'extrémité d'un tourne-écrou de  $\frac{9}{32}$ " (7 mm) pour retenir le gicleur de gaz propane dans le tourne-écrou durant l'extraction. Placer le tourne-écrou sur le gicleur; faire tourner dans le sens antihoraire et soulever pour enlever le gicleur. Conserver le gicleur pour propane.



A. Gicleur pour propane

Le tableau ci-dessous permet de sélectionner le gicleur pour gaz naturel correct pour chaque brûleur. Se référer à la plaque signalétique derrière la panneau de commande pour déterminer la taille adéquate des gicleurs pour gaz naturel pour chacun des brûleurs.

### Tableau de sélection des gicleurs pour gaz naturel

Puissance thermique	Couleur	Numéro
5000 BTU	Vert	107N
7300 BTU	Jaune	125N
9200 BTU	Orange	142N
10 000 BTU	Transparent	149N
15 000 BTU	Blanc	180N
16 000 BTU	Noir	195N

5. Remplacer le gicleur pour gaz propane par le gicleur correct pour gaz naturel. Voir le "Tableau de sélection des gicleurs pour gaz propane".
6. Réinstaller la base de brûleur et serrer les vis à la main.
7. Réinstaller le chapeau de brûleur.
8. Répéter les étapes 1 à 7 pour les autres brûleurs.
9. Placer les gicleurs pour gaz propane dans le sachet de plastique comportant pièces et documents fournis avec l'appareil, pour pouvoir les réutiliser ultérieurement.
10. Réinstaller les grilles des brûleurs.

11. Achever l'installation. Voir les sections "Raccordement au gaz" et "Système d'allumage électronique".

Il est très important de vérifier l'établissement de flammes correctes sur les brûleurs de la table de cuisson. Le petit cône intérieur devrait avoir une flamme bleue très nette de ¼" à ½" de longueur. Le cône extérieur n'est pas aussi net que le cône intérieur. Les flammes d'un brûleur alimenté au gaz naturel ne comportent pas de pointe jaune.

**IMPORTANT :** Il peut être nécessaire de modifier le réglage des flammes à la position du débit thermique minimum pour chaque brûleur de la table de cuisson.

## Déplacement de la cuisinière

### **AVERTISSEMENT**



#### **Risque de basculement**

**Un enfant ou une personne adulte peut faire basculer la cuisinière ce qui peut causer un décès.**

**Joindre la bride antibasculement au pied arrière de la cuisinière.**

**Joindre de nouveau la bride antibasculement si la cuisinière est déplacée.**

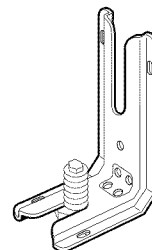
**Le non-respect de ces instructions peut causer un décès ou des brûlures graves aux enfants et aux adultes.**

Lorsqu'on déplace la cuisinière, la faire glisser sur une planche de carton ou un panneau fibres dur pour éviter d'endommager le revêtement du sol.

Si le déplacement de la cuisinière est nécessaire pour le nettoyage ou l'entretien :

### **Cuisinières alimentées par cordon d'alimentation :**

1. Faire glisser la cuisinière vers l'avant.
2. Fermer le robinet d'arrêt manuel.
3. Débrancher le cordon d'alimentation électrique.
4. Débrancher le conduit d'alimentation en gaz.
5. Effectuer le nettoyage ou l'entretien.
6. Rebrancher le conduit d'alimentation en gaz.
7. Ouvrir le robinet d'arrêt manuel sur la canalisation de gaz.
8. Brancher le cordon d'alimentation électrique.
9. Utiliser une lampe de poche pour inspecter le dessous de la cuisinière afin de vérifier que la bride antibasculement est bien installée.
  - Vérifier que la bride antibasculement est bien fixée au plancher ou au mur.
  - Faire glisser de nouveau la cuisinière de façon à ce que le pied arrière de la cuisinière se trouve sous la bride antibasculement.



10. Vérifier que la cuisinière est d'aplomb.

**W10291448A**

© 2010.  
All rights reserved.  
Tous droits réservés.

3/10  
Printed in U.S.A.  
Imprimé aux É.-U.