



*Frigidaire*

Factory Parts Catalog

|                           |               |               |               |
|---------------------------|---------------|---------------|---------------|
| Product No.               | GLMV169HBA    | GLMV169HQA    | GLMV169HSA    |
| Market                    | North America | North America | North America |
| Color                     | black         | bisque        | white         |
| Volts                     | 120           | 120           | 120           |
| Watts                     | 1000          | 1000          | 1000          |
| Wiring Diagram            | 5995571923    | 5995571923    | 5995571923    |
| Owner's Guide             | TINSEB150WRRZ | TINSEB150WRRZ | TINSEB150WRRZ |
| Installation Instructions | TINSEB151WRRZ | TINSEB151WRRZ | TINSEB151WRRZ |

**Frigidaire**

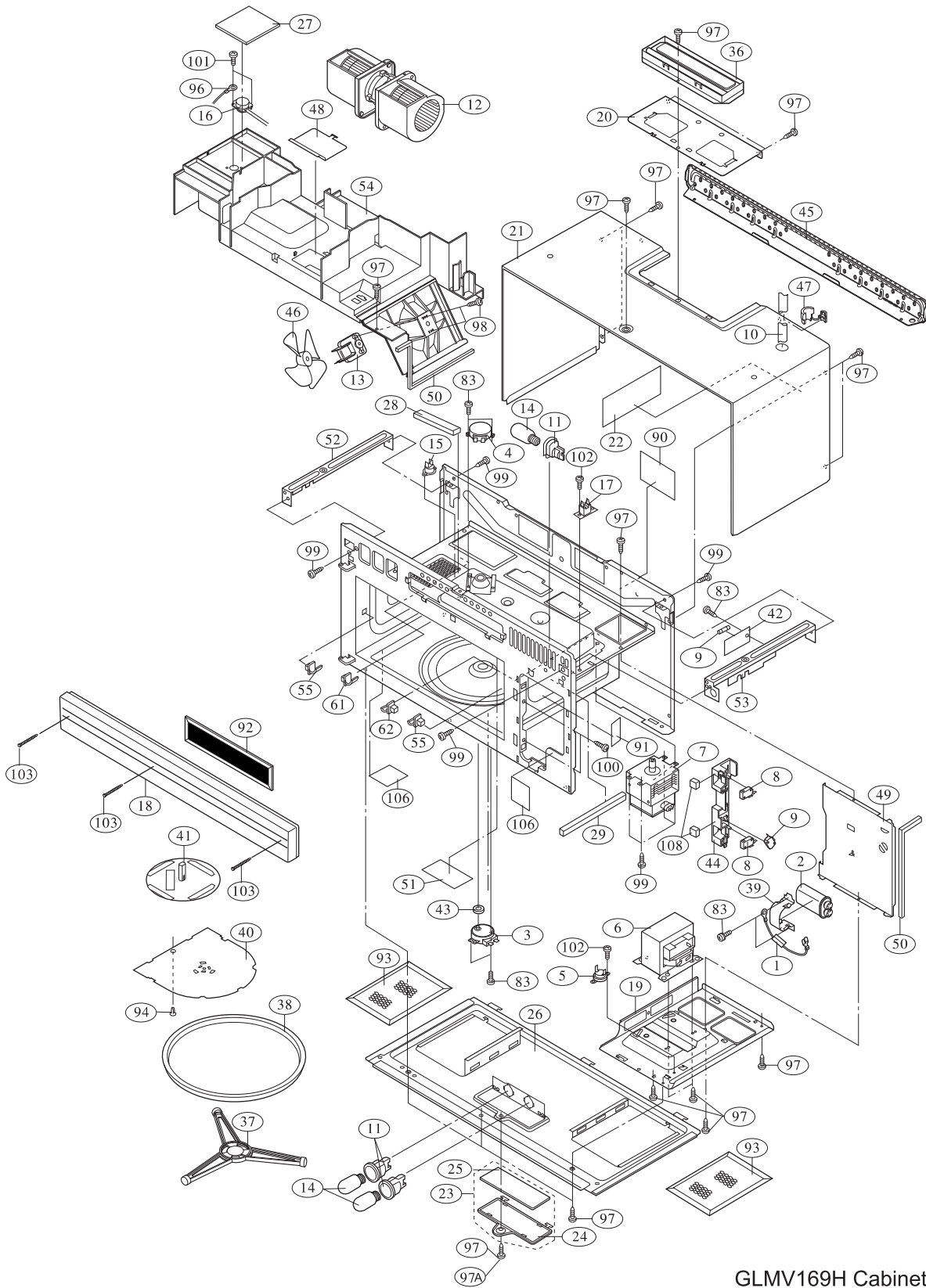
P.O. BOX 8020  
CHARLOTTE, NC 28262

**OVER-RANGE  
MICROWAVE**

Model No.  
GLMV169H

Publication No.  
**5995571923**  
10/08/13  
(EN/SERVICE/)  
099

OVEN, CABINET



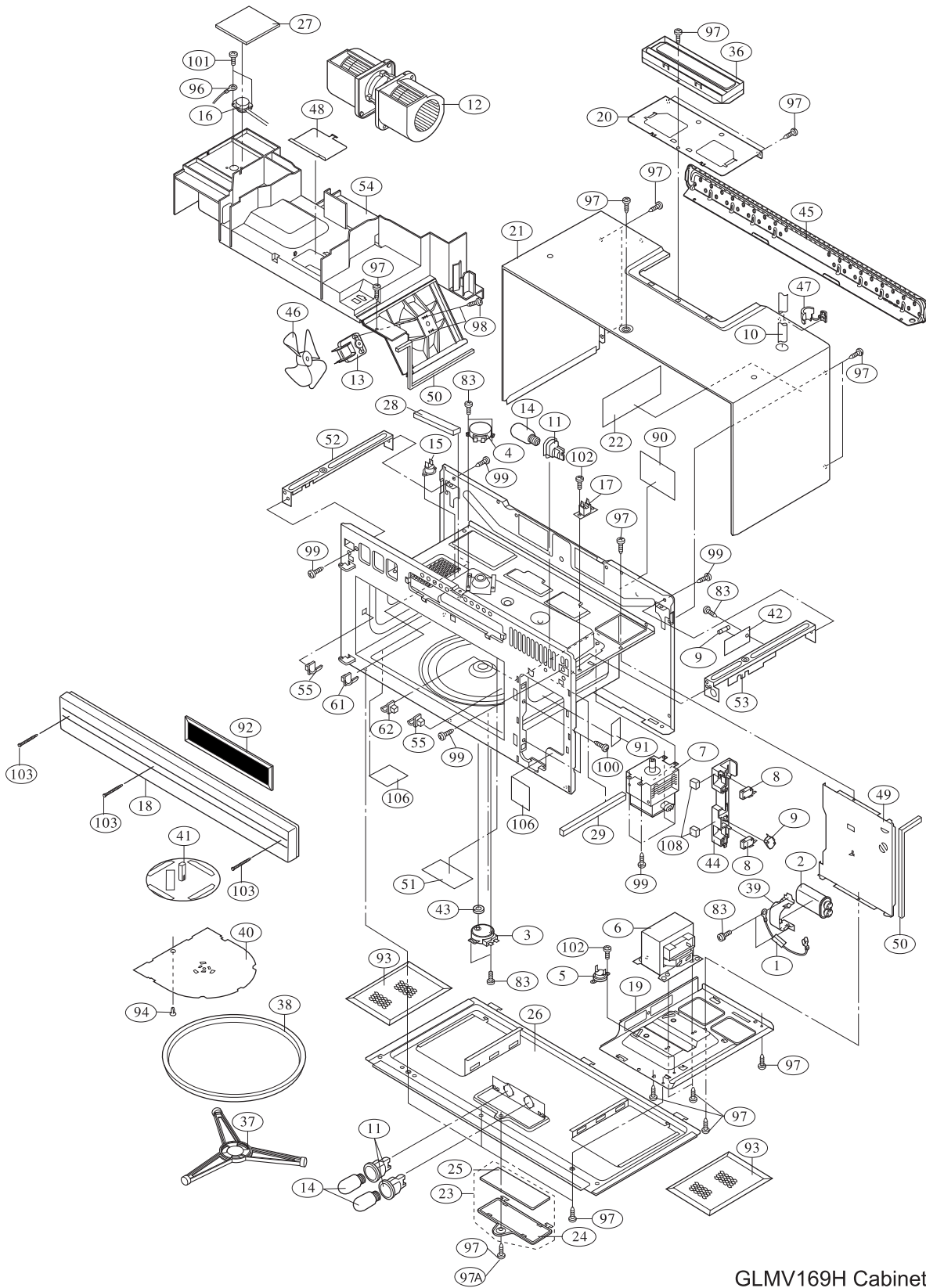
GLMV169H Cabinet

**OVEN,CABINET**

*Model Index:* A GLMV169H (GLMV169HBA)  
 B GLMV169H (GLMV169HQA)  
 C GLMV169H (GLMV169HSA)

| POS. NO | PART NO.   |       | DESCRIPTION                      |
|---------|------------|-------|----------------------------------|
| 1 #     | 5304467670 | A B C | Rectifier, high voltage          |
| 2 #     | 5304467671 | A B C | Capacitor, high voltage          |
| 3 #     | 5304448488 | A B C | Motor, turntable                 |
| 4 #     | 5304448489 | A B C | Motor, stirrer fan               |
| 5 #     | 5304440023 | A B C | Thermal Cutout, hood             |
| 6 #     | 5304468156 | A B C | Transformer, power               |
| 7 #     | 5304461353 | A B C | Magnetron                        |
| 8 #     | 5304440026 | A B C | Switch, interlock, door sensor   |
| 9 #     | 5304467695 | A B C | Switch, monitor, w/ceramic fuse  |
| 10 #    | 5304440028 | A B C | Power Cord, electric             |
| 11 #    | 5304461117 | A B C | Socket, oven lamp                |
| 12 #    | 5304440029 | A B C | Motor, hood fan                  |
| 13 #    | 5304448490 | A B C | Motor, cooling fan               |
| 14      | 5304440031 | A B C | Lamp, incandescent, 20 W, (3)    |
| 15 #    | 5304440032 | A B C | Thermal Cutout, oven cavity      |
| 16 #    | 5304440033 | A B C | Sensor, humidity, cook control   |
| 17 #    | 5303319550 | A B C | Fuse, magnetron                  |
| 18      | 5304468158 | A - - | Grille, exhaust, black           |
| 18      | 5304468159 | - B - | Grille, exhaust, bisque          |
| 18      | 5304468157 | - - C | Grille, exhaust, white           |
| 19      | 5304468161 | A B C | Plate, base, right               |
| 20      | 5304468162 | A B C | Plate, rear stay                 |
| 21      | 5304468164 | A - - | Cabinet, outer casing, black     |
| 21      | 5304468165 | - B - | Cabinet, outer casing, bisque    |
| 21      | 5304468163 | - - C | Cabinet, outer casing, white     |
| 22      | 5304468166 | A B C | Wiring Diagram, schematic, label |
| 23      | 5303319573 | A - - | Lens/Frame Assy, lamp, black     |
| 23      | 5304451821 | - B - | Lens/Frame Assy, lamp, bisque    |
| 23      | 5304458209 | - - C | Lens/Frame Assy, lamp, white     |
| 24      | 5303319574 | A - - | Frame, lens holder, black        |
| 24      | 5304451822 | - B - | Frame, lens holder, bisque       |
| 24      | 5304458210 | - - C | Frame, lens holder, white        |
| 25      | 5303319575 | A B C | Lens, cooktop lamp, glass        |
| 26      | 5304468168 | A - - | Cover, unit base, black          |
| 26      | 5304468169 | - B - | Cover, unit base, bisque         |
| 26      | 5304468167 | - - C | Cover, unit base, white          |
| 27      | 5304468170 | A B C | Cushion, hood duct               |
| 28      | 5304468173 | A B C | Cushion, top panel, rubber       |
| 29      | 5304451500 | A B C | Cushion, magnetron               |
| 36      | 5304464343 | A B C | Damper Assembly, exhaust         |
| 37      | 5304467717 | A B C | Support Assy, turntable, roller  |
| 38      | 5304440285 | A B C | Tray, turntable, glass           |
| 39      | 5304468174 | A B C | Retainer, capacitor strap        |
| 40      | 5304468175 | A B C | Cover, stirrer fan               |
| 41 #    | 5304468176 | A B C | Stirrer Assembly                 |
| 42 #    | 5304467698 | A B C | Filter, noise, electronic        |
| 43      | 5304467718 | A B C | Bushing, motor shaft, turntable  |
| 44      | 5304440289 | A B C | Latch Hook                       |

OVEN, CABINET



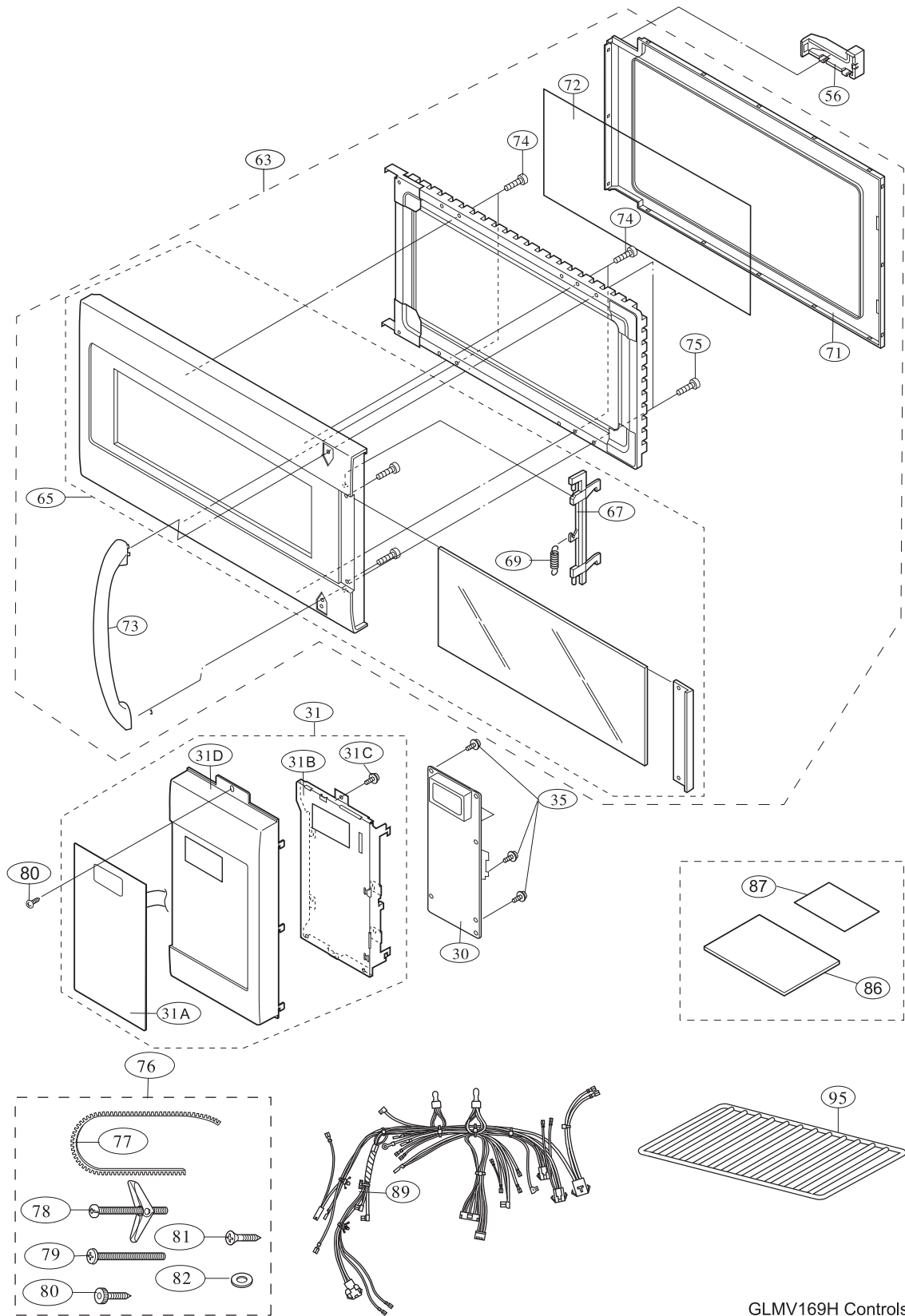
GLMV169H Cabinet

**OVEN,CABINET**

*Model Index:* A GLMV169H (GLMV169HBA)  
 B GLMV169H (GLMV169HQA)  
 C GLMV169H (GLMV169HSA)

| POS. NO | PART NO.   |       | DESCRIPTION                      |
|---------|------------|-------|----------------------------------|
| 45      | 5304468135 | A B C | Bracket, mounting plate, rear    |
| 46 #    | 5304468177 | A B C | Fan Blade, mag cooling fan       |
| 47      | 5304467721 | A B C | Bushing, grommet, power cord     |
| 48      | 5304468178 | A B C | Cover, oven lamp                 |
| 49      | 5304468179 | A B C | Duct, hood intake, right side    |
| 50      | 5304468180 | A B C | Cushion, intake duct, seal       |
| 51      | 5304467727 | A B C | Lens, lamp filter                |
| 52      | 5304468181 | A B C | Support, chassis, left side      |
| 53      | 5304468182 | A B C | Support, chassis, right side     |
| 54      | 5304468183 | A B C | Duct, exhaust hood               |
| 55      | 5304467733 | A B C | Support, rack, front             |
| 61      | 5304467762 | A B C | Support, rack, left rear         |
| 62      | 5304467763 | A B C | Support, rack, right rear        |
| 83      | 5304451550 | A B C | Screw, 4 mm x 8 mm               |
| 90      | 5304467770 | A B C | Label, Caution-DHHS              |
| 91      | 5304468187 | A B C | Label, Caution-monitor           |
| 92      | 5304440335 | A B C | Filter, inside exhaust, charcoal |
| 93      | 5303319568 | A B C | Filter, grease, (2)              |
| 94      | 5304467773 | A B C | Clip, canoe type, stirrer cover  |
| 96 #    | 5304467828 | A B C | Wire, ground                     |
| 97      | 5304451552 | A B C | Screw, 4 mm x 8 mm, silver       |
| 97A     | 5304467777 | A - - | Screw, 4 mm x 8 mm, black        |
| 98      | 5304462315 | A B C | Screw, 4 mm x 12 mm, ground      |
| 99      | 5304467780 | A B C | Screw, 4 mm x 8 mm, Tap Tight    |
| 100     | 5303319641 | A B C | Screw                            |
| 101     | 5304467778 | A B C | Screw, 3 mm x 8 mm               |
| 102     | 5304467781 | A B C | Screw, 3 mm x 6 mm               |
| 103     | 5304468189 | A - - | Screw, black                     |
| 103     | 5304468190 | - B - | Screw, bisque                    |
| 103     | 5304468188 | - - C | Screw, white                     |
| 106     | 5304468191 | A B C | Label, Caution-DHHS              |
| 108     | 5304467769 | A B C | Cushion, latch hook, pad         |

**CONTROL PANEL, DOOR, MISC.**



GLMV169H Controls

**CONTROL PANEL,DOOR,MISC.**

*Model Index:* A GLMV169H (GLMV169HBA)  
 B GLMV169H (GLMV169HQA)  
 C GLMV169H (GLMV169HSA)

| POS. NO | PART NO.   |       | DESCRIPTION                    |
|---------|------------|-------|--------------------------------|
| 30 #    | 5304468192 | A B C | Control Board, printed circuit |
| 31 #    | 5304461358 | A - - | Frame, control panel, black    |
| 31 #    | 5304468194 | - B - | Control Panel Assy, bisque     |
| 31 #    | 5304468193 | - - C | Control Panel Assy, white      |
| 31A#    | 5304461362 | A - - | Touch Control, key pad, black  |
| 31A#    | 5304461363 | - B - | Touch Control, key pad, bisque |
| 31A#    | 5304461364 | - - C | Touch Control, key pad, white  |
| 31B     | 5304468195 | A B C | Panel, control mount           |
| 31C     | 5304456930 | A B C | Screw, 3 mm x 10 mm            |
| 31D     | 5304468197 | A - - | Frame, control panel, black    |
| 31D     | 5304468198 | - B - | Frame, control panel, bisque   |
| 31D     | 5304468196 | - - C | Frame, control panel, white    |
| 35      | 5304467710 | A B C | Screw, 3 mm x 8 mm             |
| 56      | 5304468199 | A B C | Door Stop                      |
| 63 #    | 5304473671 | A - - | Door Assy, black, w/handle     |
| 63 #    | 5304468201 | - B - | Door Assy, bisque, w/handle    |
| 63 #    | 5304468200 | - - C | Door Assy, white, w/handle     |
| 65      | 5304468203 | A - - | Frame Assembly, door, black    |
| 65      | 5304468204 | - B - | Frame Assembly, door, bisque   |
| 65      | 5304468202 | - - C | Frame Assembly, door, white    |
| 67      | 5304440314 | A B C | Latch, door                    |
| 69      | 5304440316 | A B C | Spring, door latch             |
| 71      | 5304440320 | A B C | Frame, choke cover, inner door |
| 72      | 5304468205 | A B C | Seal, door, film               |
| 73      | 5304468207 | A - - | Handle, door, black            |
| 73      | 5304468208 | - B - | Handle, door, bisque           |
| 73      | 5304468206 | - - C | Handle, door, white            |
| 74      | 5304451517 | A B C | Screw, 4 mm x 8 mm             |
| 75      | 5304468209 | A B C | Screw, 4 mm x 30 mm            |
| 76      | 5304467765 | A B C | Hardware Kit, installation     |
| 77      | 5303318761 | A B C | Sleeve, power cord, grommet    |
| 78      | 5303318762 | A B C | Screw, toggle                  |
| 79      | 5304453895 | A B C | Screw, 5mm x 85mm              |
| 80      | 5304451552 | A B C | Screw, 4 mm x 8 mm, silver     |
| 81      | 5304453723 | A B C | Screw, 5mm x 35mm              |
| 82      | 5304453724 | A B C | Washer                         |
| 86      | 5304468216 | A B C | Template, installation, top    |
| 87      | 5304468217 | A B C | Template, installation, wall   |
| 89      | 5304468215 | A B C | Wiring Harness, main           |
| 95      | 5304440338 | A B C | Rack, microwave oven, wire     |

WIRING DIAGRAM

1. Off Condition

| SCHEMATIC                   |  |
|-----------------------------|--|
| NOTE: CONDITION OF OVEN     |  |
| 1. DOOR CLOSED              |  |
| 2. CLOCK APPEARS ON DISPLAY |  |

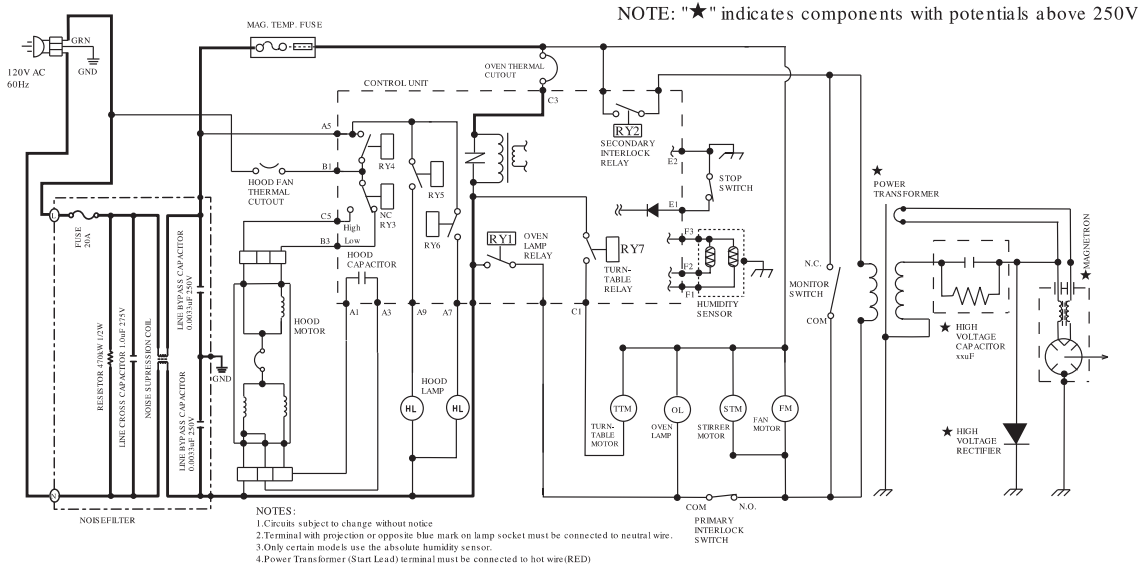


Figure O-1. Oven Schematic-Off Condition

2. Cooking Condition

| SCHEMATIC                           |  |
|-------------------------------------|--|
| NOTE: CONDITION OF OVEN             |  |
| 1. DOOR CLOSED.                     |  |
| 2. COOKING TIME PROGRAMMED.         |  |
| 3. VARIABLE COOKING CONTROL "P-HI". |  |
| 4. START PAD TOUCHED.               |  |

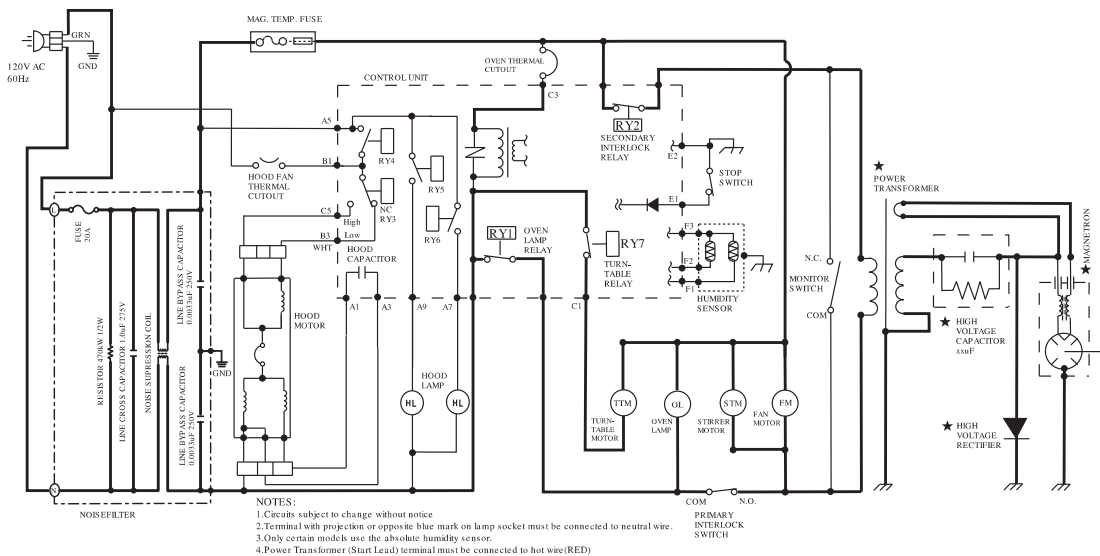


Figure O-2. Oven Schematic-Cooking Condition

GLMV169H Wiring