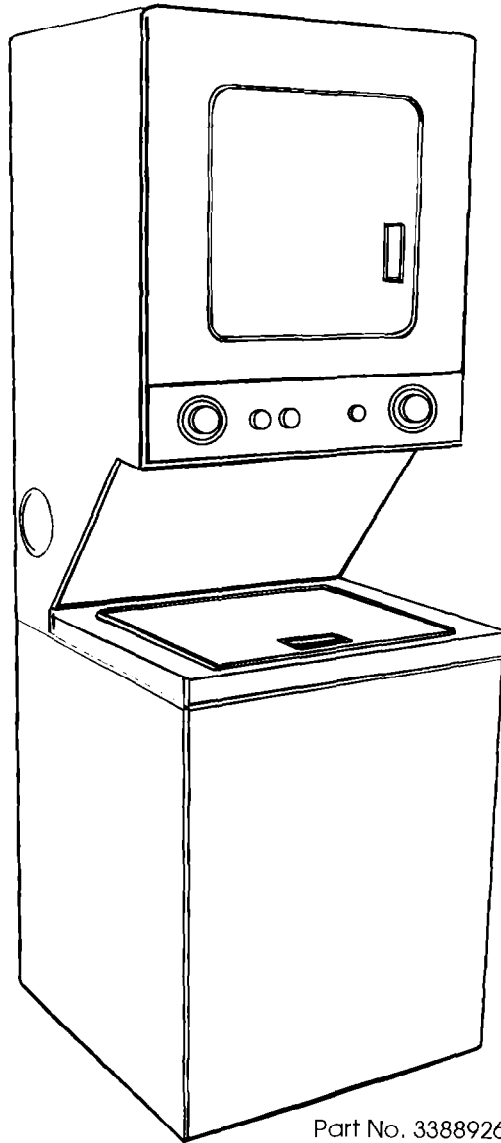


Installation Instructions

Laundry System

Washer • Dryer - 240 Volt



Part No. 3388926 Rev. C

IMPORTANT:
Read and save
these instructions.

IMPORTANT:

Installer: Leave Installation Instructions with the homeowner.

Homeowner: Keep Installation Instructions for future reference.

Save Installation Instructions for local electrical inspector's use.

9/94

Before you start...

Check location where washer/dryer will be installed. Proper installation is your responsibility. The washer/dryer must not be installed or stored in an area where it will be exposed to water and/or weather. Make sure you have everything necessary for correct installation.

Location should be large enough to fully open dryer door 90°. (See Panel E for "Recessed and closet installation instructions" and "Product dimensions.")

Check utilities: Proper electrical supply **must** be available.

Dryer may be exhausted from rear or left or right side. Exhausting through the side requires Side Exhaust Kit LCK4600. See "Exhaust requirements," Panel B.

10.2 cm (4 in) metal exhaust duct is required.

Standpipe drain system needs a 5 cm (2 in) diameter standpipe with a minimum carry-away capacity of 65.6 litres (14.2 Imperial gallons) per minute. Top of standpipe must be at least 71.1 cm (28 in) high and no higher than 121.9 cm (48 in) from floor.

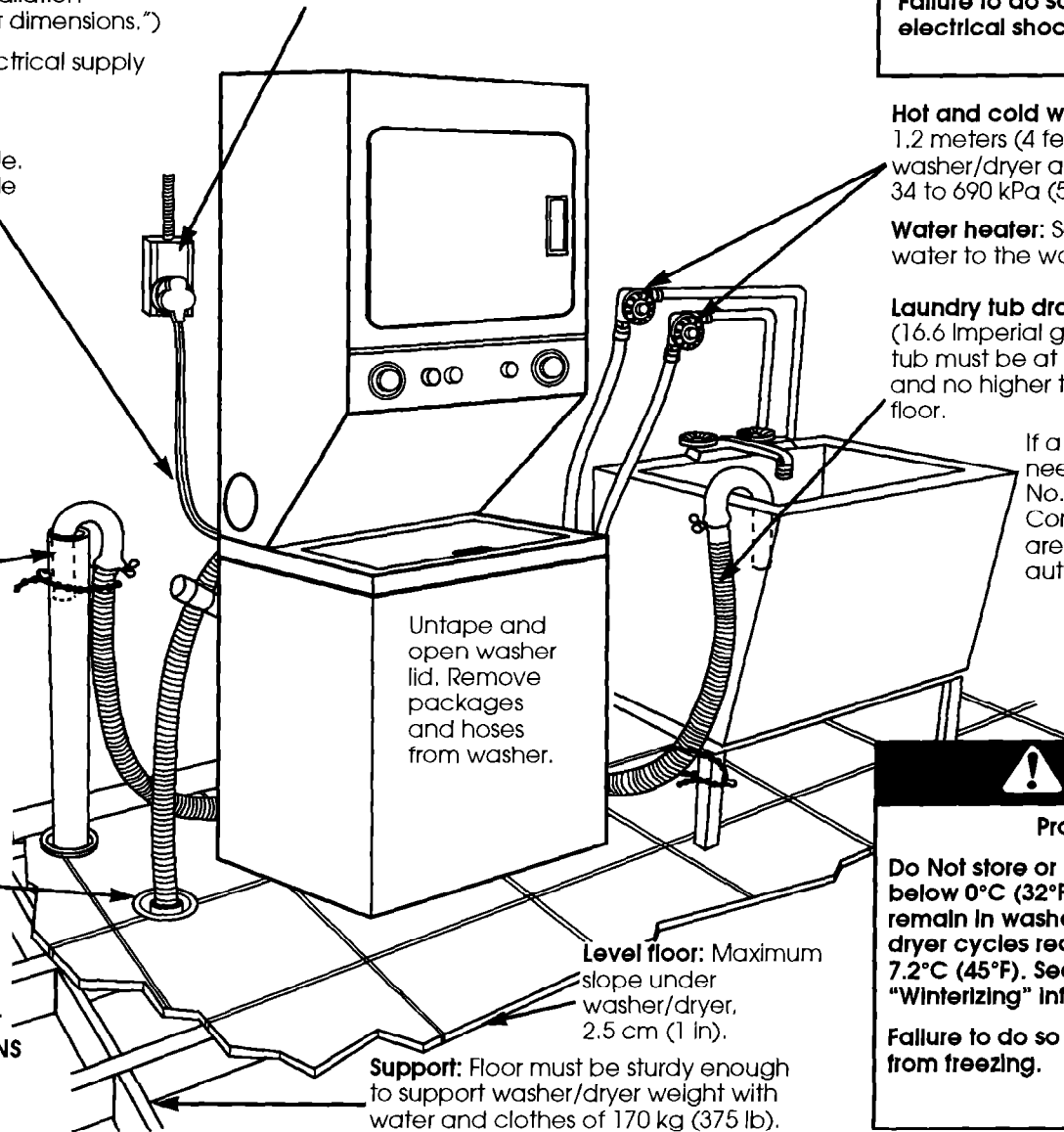
Floor drain system requires a siphon break, Part No. 285320, available from your authorized parts distributor.

SEE RECESSED AND CLOSET INSTALLATION INSTRUCTIONS ON PANEL E.

Important : Observe all governing codes and ordinances.

Check code requirements. Some codes limit or do not permit the installation of clothes dryers in garages, closets, mobile homes and sleeping quarters. Contact your local building inspector.

Grounded electrical outlet is required. See "Electrical requirements," Panel A.



WARNING

Electric Shock Hazard

It is the customer's responsibility:

- To contact a qualified electrical installer.
- To assure that the electrical installation is adequate and in conformance with the Canadian Electrical Codes, and all local codes and ordinances.

Failure to do so could result in fire, electrical shock or other personal injury.

Hot and cold water faucets must be within 1.2 meters (4 feet) of the back of the washer/dryer and provide water pressure of 34 to 690 kPa (5-100 psi).

Water heater: Set to deliver 60°C (140°F) water to the washer.

Laundry tub drain system needs a 75.5 litres (16.6 Imperial gallons) laundry tub. Top of tub must be at least 71.1 cm (28 in) high and no higher than 121.9 cm (48 in) from floor.

If a longer drain hose is needed, Drain Hose Part No. 388423, and Hose Connection Kit Part No. 285442, are available from your authorized parts distributor.

CAUTION

Product Damage

Do Not store or operate washer/dryer below 0°C (32°F) (some water may remain in washer). Proper operation of dryer cycles requires temperatures above 7.2°C (45°F). See Use & Care Guide for "Winterizing" information.

Failure to do so may result in damage from freezing.

WARNING

Personal Injury Hazard

More than one person is required to lift, flip, or move this washer/dryer because of its weight and size.

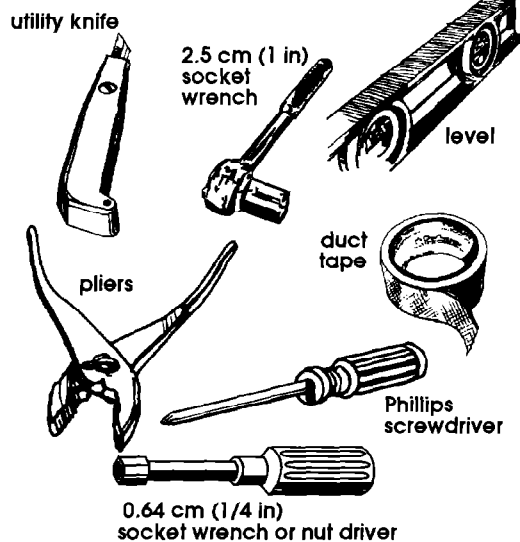
Failure to follow these instructions may result in personal injury.

Fire Hazard

- Do Not use or store gasoline, paint, thinners and other flammable materials near washer/dryer. Fumes from such materials could result in fire or explosion.
- Never install washer/dryer up against draperies or curtains or on carpet. To do so may result in a fire.
- Keep any and all items from falling or collecting behind the washer/dryer. Failure to do so may result in a fire.
- Replace all access panels before operating washer/dryer.

Failure to follow these instructions may result in a fire, explosion or electrical shock.

Tools and materials needed for installation:



Electrical requirements

OBSERVE ALL GOVERNING CODES AND ORDINANCE

WARNING

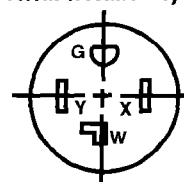
Electrical Shock Hazard

- Electrical ground is required on this product.
- Improper connection of the equipment-grounding conductor can result in a risk of electrical shock.
- Check with a qualified electrician if you are in doubt as to whether the appliance is properly grounded. Do Not modify the power supply cord plug. If it will not fit the outlet, have a proper outlet installed by a qualified electrician.
- Do Not use an extension cord with this appliance. Such use may result in a fire, electrical shock or other personal injury.
- Do Not have a fuse in the neutral or grounding circuit. This could result in a risk of electrical shock.

Failure to follow these instructions could result in serious injury or death.

1. A four-wire, single-phase, 120/240-volt, 60-Hz, AC only electrical supply is required on a separate 30-ampere circuit, fused on both sides of the line. (Time-delay fuse or circuit breaker is recommended.)
2. This washer/dryer is equipped with a four-wire, 30-amp rated flexible-type power supply cord. It must be plugged into a mating 30-amp receptacle (NEMA-type 14-30R). See Figure 1.

Use 30-amp receptacle where local codes permit flexible-type supply cord (pigtail).



14-30R 4-wire receptacle
Figure 1

Exhaust requirements

⚠ WARNING

Fire Hazard

- Do Not use non-metal, flexible duct.
- Do Not use metal duct smaller than 10.2 cm (4 in) in diameter.
- Do Not use exhaust hoods with magnetic latches.
- Check that exhaust system is not longer than specified. Exhaust systems longer than specified will:
 - Accumulate lint.
 - Shorten the life of the product.
 - Reduce performance and result in longer drying times and increased energy usage.

Failure to follow specifications may result in a fire.

- Do Not exhaust the dryer into a chimney, furnace cold air duct, attic or crawl space, or any other duct used for venting.
- Clean the exhaust system every other year.
- Do Not install flexible duct under wall, ceiling or floor materials.

Accumulated lint could be fuel for a fire or cause moisture damage.

- Exhausting your dryer indoors is Not recommended. The moisture and lint indoors may cause:
 - Lint to gather inside and around the dryer and be a fuel for fire.
 - Moisture damage to woodwork, furniture, paint, wallpaper, carpet, etc.
 - Housecleaning problems and possible health problems.

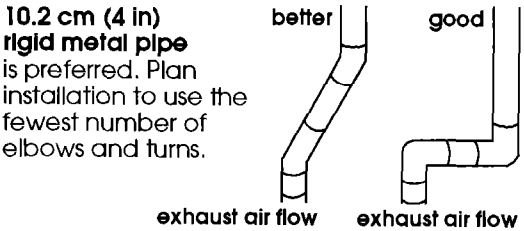
Failure to follow these instructions could result in fire damage, personal injury or health problems.

If using an existing exhaust system, clean lint from entire length of exhaust system. Make sure exhaust hood is not plugged with lint.

Replace plastic exhaust duct with rigid metal or flexible metal duct.



Use duct tape to seal all joints.

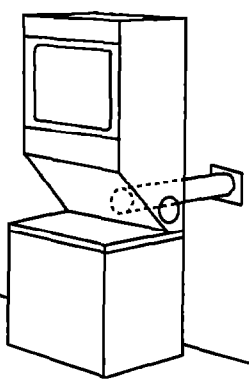


10.2 cm (4 in) rigid metal pipe is preferred. Plan installation to use the fewest number of elbows and turns.

Metal flexible duct must be fully extended and supported when the dryer is in its final position. DO NOT KINK OR CRUSH THE DUCT. The metal flexible duct must be completely open to allow adequate exhaust air to flow.

Allow as much room as possible when using elbows or making turns. Bend duct gradually to avoid kinking. Remove excess flexible duct to avoid sagging and kinking that may result in reduced air flow.

The exhaust duct can be routed up, down, left, right or straight out the back of the washer/dryer. Space requirements are provided on Panel E and on the rear panel of the washer/dryer.



Maximum length of the exhaust system depends upon the type of duct used, number of elbows and the type of exhaust hood. The maximum length for both rigid and flexible duct is shown in the chart.

| NUMBER OF 90° TURNS | A | B | C | |
|---------------------|----------------|----------------|-------------------|--|
| | 10.2 cm (4 in) | 10.2 cm (4 in) | 6.4 cm (2-1/2 in) | |
| 0 | 13.1 m (43 ft) | 12.5 m (41 ft) | 11.0 m (36 ft) | Maximum length of 10.2 cm (4 in) dia. rigid metal duct. |
| 1 | 10.1 m (33 ft) | 9.5 m (31 ft) | 7.9 m (26 ft) | |
| 2 | 7.0 m (23 ft) | 6.4 m (21 ft) | 4.9 m (16 ft) | |
| 0 | 9.1 m (30 ft) | 8.8 m (29 ft) | 7.3 m (24 ft) | Maximum length of 10.2 cm (4 in) dia. flexible metal duct. |
| 1 | 7.3 m (24 ft) | 7.0 m (23 ft) | 5.5 m (18 ft) | |
| 2 | 4.9 m (16 ft) | 4.6 m (15 ft) | 3.1 m (10 ft) | |

The maximum length using a 5.1 cm x 15.2 cm (2 in x 6 in) rectangular duct with 2 elbows and a 6.4 cm (2-1/2 in) (TYPE C) exhaust hood is 2.4 m (8 ft).

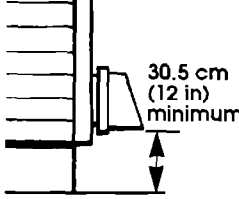
For exhaust systems not covered by the exhaust length chart, see Service Manual, Part No. 603197, available from your authorized parts distributor.

Service check: The back pressure in any exhaust system used must not exceed 0.8 cm (0.3 in) of water column measured with an inclined manometer at the point that the exhaust duct connects to the dryer.

Exhausting the dryer outside is recommended. A closet installation must be exhausted outside. Recessed installation that is not exhausted outside must use Exhaust Deflector Kit Part No. 694609, available from your authorized parts distributor. See "Recessed and closet installation instructions," Panel E, for unobstructed air opening requirements.

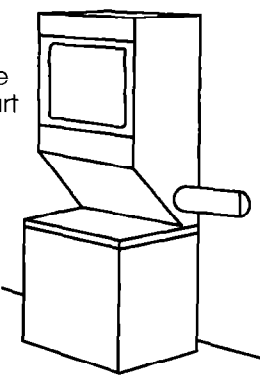
If the washer/dryer is installed in a confined area such as a bedroom, bathroom or closet, it must be exhausted to the outside and provision must be made for enough air for combustion and ventilation. Check governing codes and ordinances. Also refer to the "Recessed and closet installation instructions" on Panel E.

An exhaust hood should cap the exhaust duct to prevent exhausted air from returning into dryer. The outlet of the hood must be at least 30.5 cm (12 in) minimum from the ground or any object that may be in the path of the exhaust.

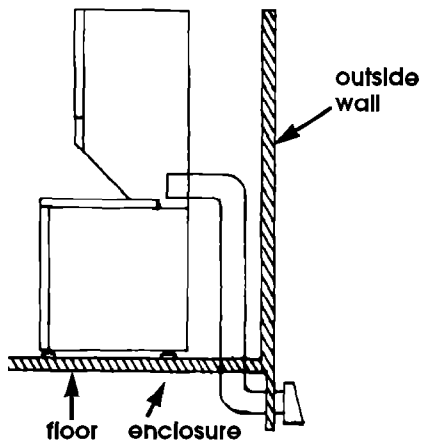


10.2 cm (4 in) outlet hood is preferred. However, a 6.4 cm (2-1/2 in) outlet may be used with short systems only. A 6.4 cm (2-1/2 in) outlet can result in longer drying times than other hood types. For permanent installation, a stationary exhaust system is required.

Exhausting the dryer through the side of the washer/dryer requires the use of Side Exhaust Kit Part No. 3391335. Follow kit instructions for proper exhaust installation.



Mobile home installation



Mobile home exhaust requirements: The washer/dryer must have an outside exhaust. If the dryer is exhausted through the floor and the area under the mobile home is enclosed, the exhaust system must terminate outside the enclosed area. Extension beyond the enclosure will prevent lint and moisture buildup under the mobile home.

Now start...

With washer/dryer in laundry area.

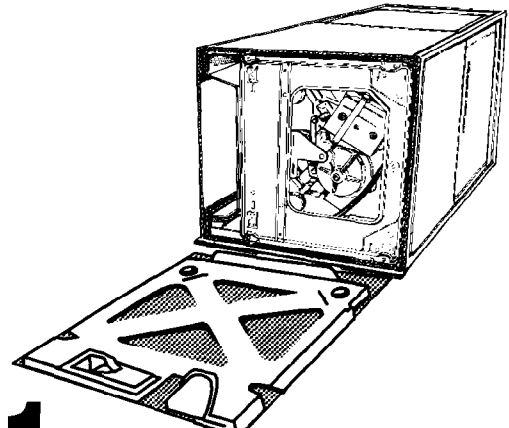
⚠ WARNING

Personal Injury Hazard

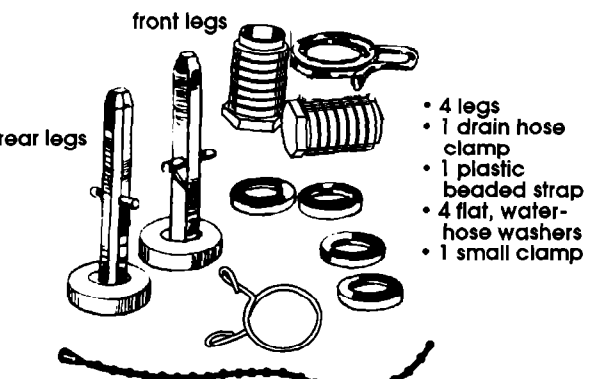
More than one person is required to lift, tilt or move the washer/dryer because of its weight and size.

Failure to follow this instruction may result in personal injury.

Truck only from the rear to prevent product damage.

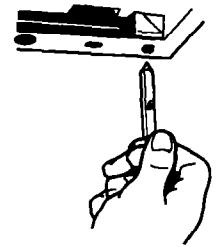


1. Remove shipping cardboard base.

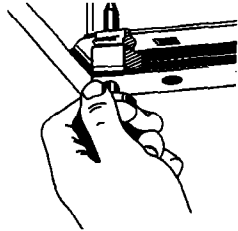


2. Remove parts from plastic package. Check that all parts were included.

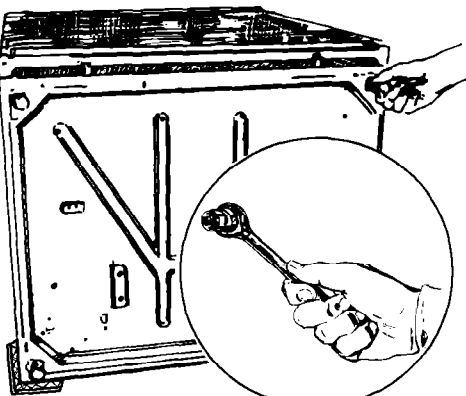
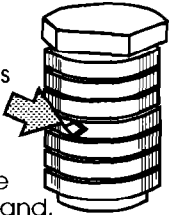
3. Place washer/dryer in the carton on its side. Insert a rear-leveling leg into the hole in the rear corner on the bottom of the washer/dryer. Push leg in until it snaps into place. Do the same same thing with the other leveling leg in the other rear corner.



4. Push up one leg; check to see that the other leg goes down. Check the other leg the same way. (If legs do not adjust, repeat Step 3.)



5. With one of the front legs in hand, check the ridges for a diamond marking. That's how far the leg is supposed to go into the hole. Start to screw the legs into the holes in the front corners by hand.



Use a wrench or 2.5 cm (1 in) socket wrench to finish turning the legs until you reach the diamond mark.

CAUTION

Floor Damage
Slide dryer onto cardboard or hardboard before moving across floor.
Failure to do so may cause damage to floor covering.

Numbers correspond to steps.

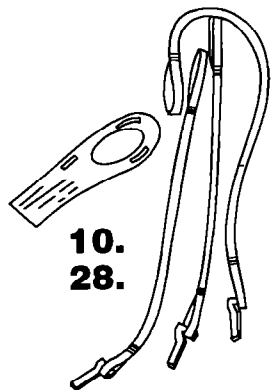
6. Now stand the washer/dryer up. Slide washer/dryer onto cardboard or hardboard.

To prevent product damage, do not remove corner posts before cutting.

7. With the corner posts in place, cut the carton down one corner. Remove carton.

8. Remove the two rear corner posts located at the back of the washer/dryer. Remove the two corner pieces attached to the lower front of the washer/dryer. Do **Not** remove the foam shipping pieces between the washer and dryer until the unit is in place.

9. Move foam shipping pieces outward just enough to clear the washer lid. Open the washer lid. The latch under the dryer will hold lid open.



10.
28.

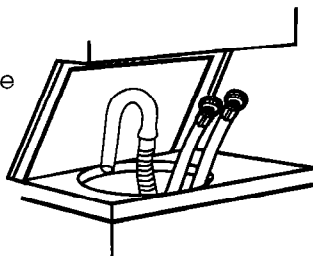
Read yellow card.

10. Read the yellow card. Place hand on top of agitator when removing the shipping straps. Firmly jerk, then pull the three straps up until each strap with key is completely removed from washer. Put straps in the same area as rear corner shipping pieces.

Pull all three shipping straps with keys completely out of washer.

shipping strap with key

11. Remove yellow card. Take hoses out of basket. Place hoses with other parts.



12. Release washer lid by pushing up on latch. Close lid.

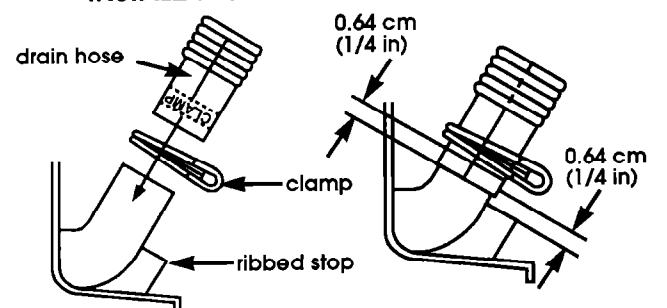
Use new hoses and washers that came with your washer/dryer.

13. Insert a flat washer into each end of the inlet hoses. Check that washers are firmly seated in couplings.

Inlet valves are plastic. Do Not strip or crossthread.

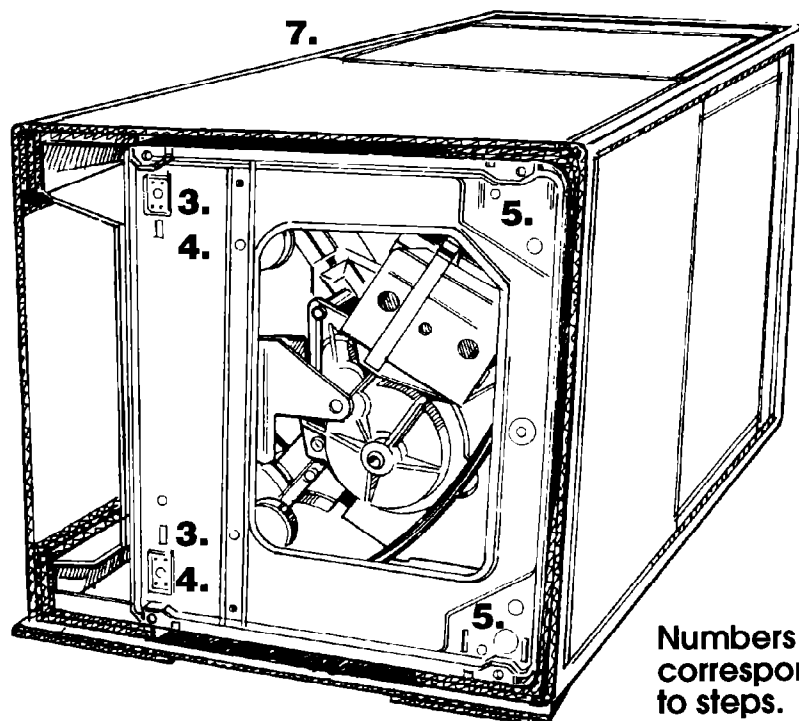
14. Attach hose to bottom inlet valve opening first. Attach second hose to top inlet valve. Tighten couplings by hand; then use pliers to make an additional two-thirds turn.

IMPORTANT: THIS PROCEDURE MUST BE FOLLOWED TO ASSURE PROPER INSTALLATION.

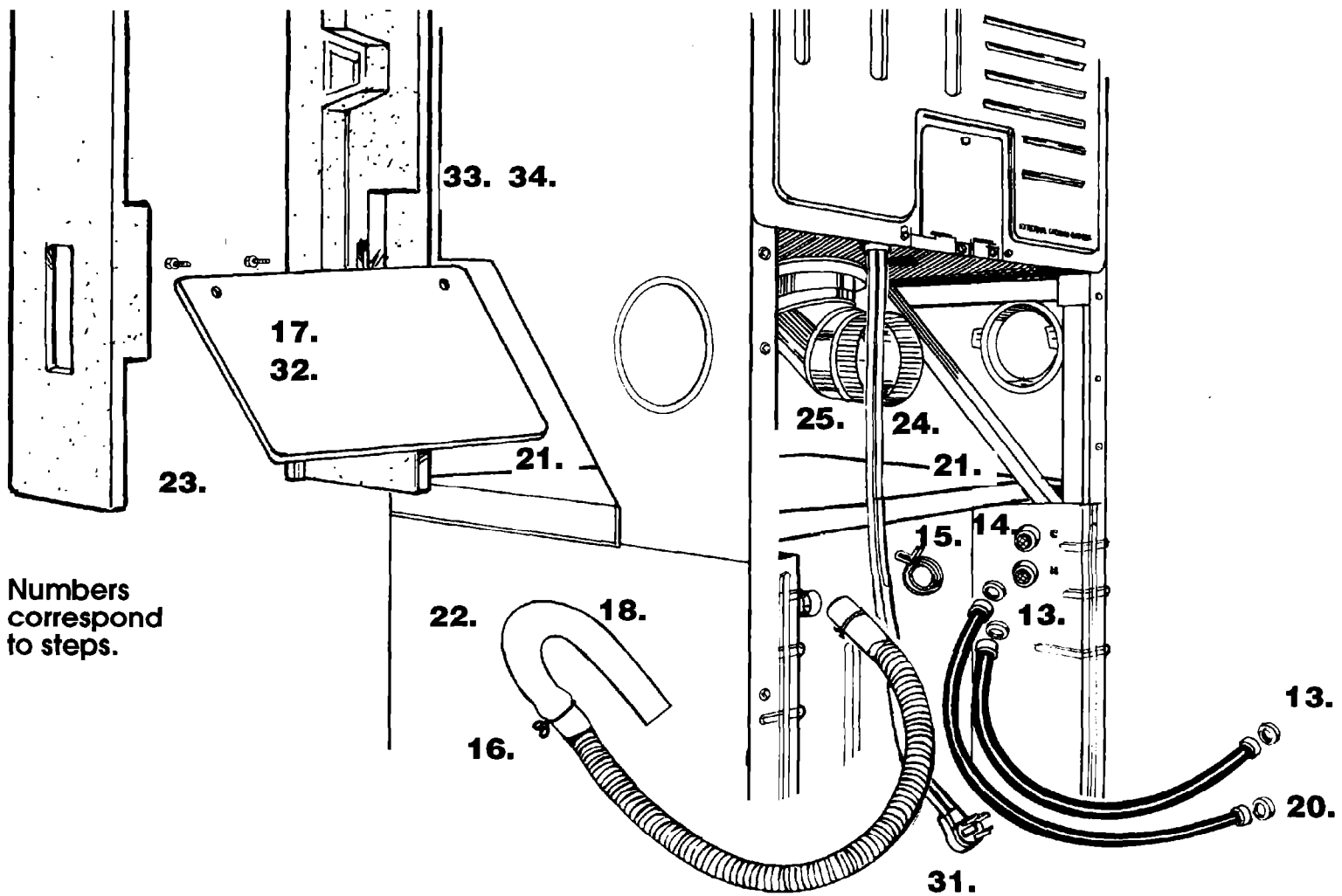


15. To prevent the drain hose from coming off or leaking, it must be installed per the following instructions:

1. Wet the inside end of the drain hose with tap water. **DO NOT USE ANY OTHER LUBRICANT.**
2. Squeeze ears of small clamp with pliers to open clamp and place clamp over end of drain hose.
3. While holding clamp open, work end of drain hose onto drain connector until drain hose is within 0.64 cm (1/4 in) of ribbed stop.
4. Position clamp over the drain hose area marked "clamp." Release clamp. Clamp should be 0.64 cm (1/4 in) from end of drain hose.

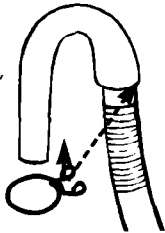


Numbers correspond to steps.

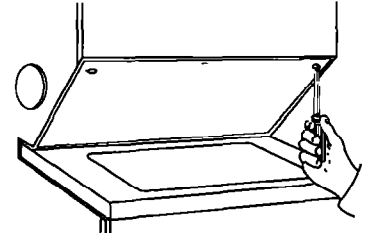


Numbers correspond to steps.

16. Open hose clamp and slide over "hook" end of drain hose to secure the rigid and corrugated sections together.



Tilt the washer/dryer forward — raising back legs 2.5 cm (1 in) off the floor to let the rear self-leveling legs adjust. Gently lower the washer/dryer to the floor. Make final check with level.



CAUTION

Floor Damage

Slide washer/dryer onto cardboard or hardboard before moving across floor. Failure to do so may cause damage to floor covering.

CAUTION

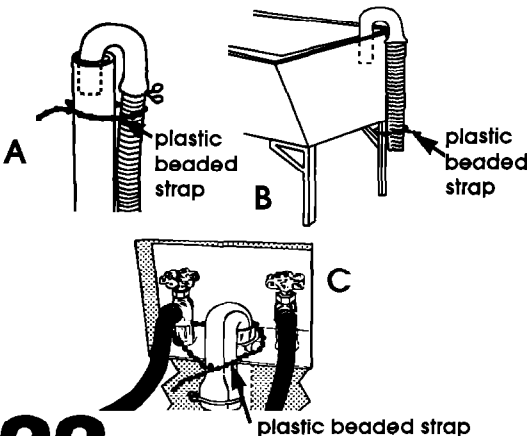
Property Damage

Secure the drain hose to the tub or standpipe with the plastic strap.

Failure to properly secure drain hose could result in water damage.

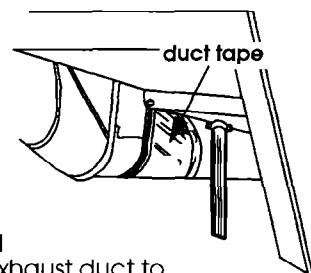
23.

Remove the two foam shipping pieces between the washer and dryer and place with the other shipping pieces. If the exhaust duct cannot be connected from the side of the washer/dryer, the exhaust duct can be reached from the front through the access panel. Remove the two Phillips-head screws at the top of the access panel. Set access panel and screws aside.



24.

Determine the length of exhaust duct that is needed to connect the dryer to the exhaust hood. (See "Exhaust requirements," Panel B).



17.

If you have room to work from either side of the washer/dryer, move washer/dryer close to final position so you can easily complete the installation steps. If you are working in a closet or recessed area, move the washer/dryer into its final position and remove cardboard/hardboard from under washer/dryer. Remove the two Phillips-head screws located at the top of the access panel. (See illustration for Step 23). Remove access panel and set access panel and screws aside. Complete the following steps through the access area.

18.

Put "hook" end of drain hose in laundry tub or standpipe. Check for proper length of drain hose.

DO NOT FORCE EXCESS LENGTH OF DRAIN HOSE DOWN THE STANDPIPE. THIS COULD CAUSE SIPHONING.

19.

Before attaching water inlet hoses, run water through both faucets into a bucket. This will get rid of any particles in water lines that might clog hoses. Mark which is the hot water faucet.



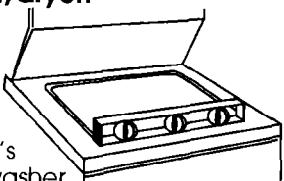
20.

Attach bottom hose (inlet marked "H") to hot water faucet. Attach top hose (inlet marked "C") to cold water faucet. Tighten the couplings to the faucets by hand. Use pliers to make the final two-thirds turn.

Move washer/dryer to its permanent position. Remove cardboard/hardboard from under washer/dryer.

21.

Check the levelness of washer/dryer by placing a carpenter's level on top of the washer, first side to side then front to back. If it is not level, adjust the front legs up or down.



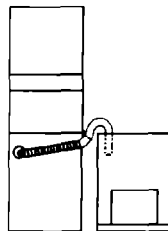
22.

Put "hook" end of drain hose in tub or standpipe. Wrap the plastic beaded strap around the drain hose and tub or standpipe. Thread beaded end of strap through keyhole end. Pull until strap is tight. Slide strap into narrow end of keyhole to lock strap in place. See Figures A-B.

If the water inlet faucets and drain standpipe are recessed, put "hook" end of drain hose in standpipe. Tightly wrap the plastic beaded strap around the drain hose and faucet body. (Do Not wrap strap around the faucet handles or stems.) Thread beaded end of strap through keyhole end. Pull until strap is tight. Slide strap into narrow end of keyhole to lock strap in place. See Figure C.

If drain hose cannot be strapped into place, hose must be cut exactly to length so "hook" end is held tightly over edge of tub or standpipe.

If a longer drain hose is needed, Drain Hose Part No. 388423 and Hose Connection Kit Part No. 285442 are available from your authorized parts distributor. If drain hose must be shortened, use Hose Connection Kit Part No. 285442.



Note: If washer/dryer is moved to adjust drain hose, the washer/dryer must be leveled again. Repeat Step 21. Place cardboard under the washer/dryer and carefully move washer/dryer to avoid damaging floor covering.

25.

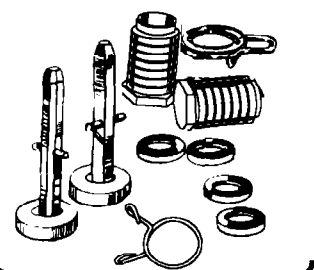
Connect exhaust duct to washer/dryer and then to the exhaust hood.

- Use the straightest path possible to avoid 90° turns.
- Use duct tape to seal all joints in the exhaust system.
- Use caulking compound to seal exterior wall opening around exhaust hood.

26.

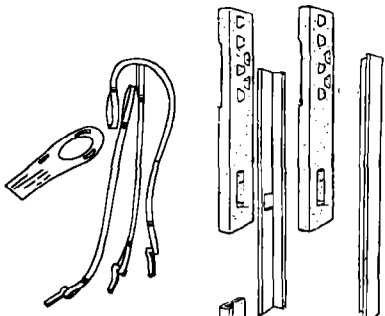
CHECK ELECTRICAL REQUIREMENTS. BE SURE YOU HAVE CORRECT ELECTRICAL SUPPLY AND RECOMMENDED GROUNDING METHOD.

Check the Installation Instructions to see that you have completed each step. Complete any missed steps before you continue.



27.

Check that all parts are now installed. See parts list, Panel B. If there is an extra part, go back through the steps to see which step was skipped.



28. Check that you removed all the shipping pieces, including the three shipping straps with keys.

If you do not remove all three shipping straps, your washer/dryer may "walk" away from its location.



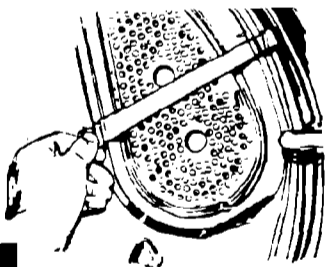
29. Check that you have all your tools.

30. Turn on water faucets and check for leaks. Tighten couplings if there is leaking.

31. Plug power supply cord into grounded outlet.

32. Replace the access panel. Be sure to tighten screws at each end of the access panel.

33. Read the *Use and Care Guide* to fully understand your new washer/dryer. Now start the washer and allow it to complete the regular cycle.



34. Remove tape from dryer door and open dryer door. Remove tape across the dryer lint screen. Check to be sure lint screen is in its proper position. Wipe out drum with a damp cloth to remove any dust. Start dryer and allow it to complete a heat cycle to make sure the dryer is working properly.

35. Finally, save all literature and keep with washer/dryer.

You have just finished installing your new washer/dryer. To get the most efficient use from your new washer/dryer, read your *Use & Care Guide*.

Congratulations!

Keep Installation Instructions nearby where you can refer to them. They'll make reinstalling your washer/dryer in another home as easy as the first installation.

Recessed and closet installation instructions

WARNING

Fire Hazard

- It is recommended that the washer/dryer be exhausted to the outside.
 - If washer/dryer is installed in a closet, the dryer MUST be exhausted outside.
- Failure to do so may result in a fire.

To prevent large amounts of lint and moisture from accumulating and to maintain drying efficiency, and to prevent exposure to possible health hazards, this appliance should be exhausted outdoors.

THIS WASHER/DRYER MAY BE INSTALLED IN A RECESSED AREA OR CLOSET.

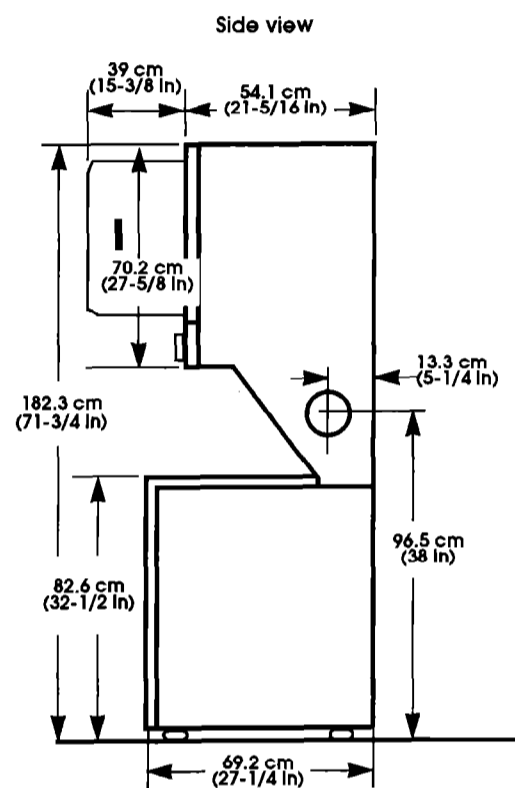
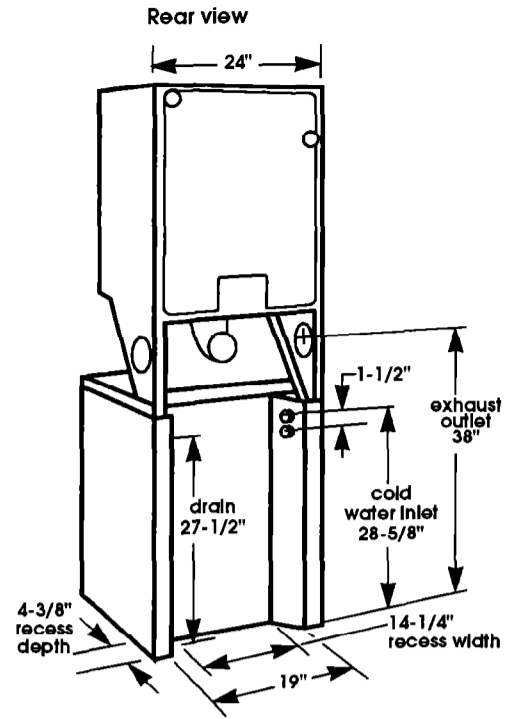
The installation spacing is in inches and is the minimum allowable.

Additional spacing should be considered for ease of installation, servicing and compliance with local codes and ordinances.

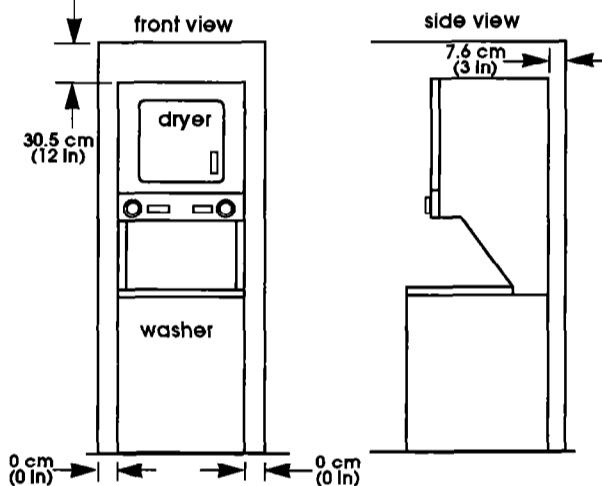
If closet door is installed, the minimum unobstructed air openings in top and bottom are required. Louvered doors with equivalent air openings are acceptable. Closet installation must be exhausted.

Other installations must use the minimum dimensions indicated.

Product dimensions



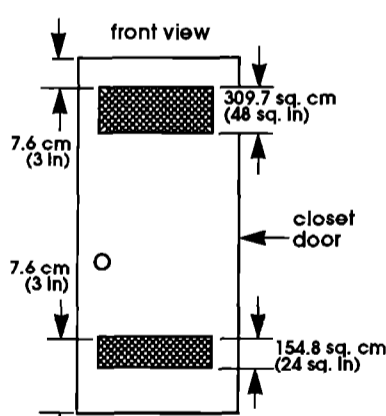
Recessed installation



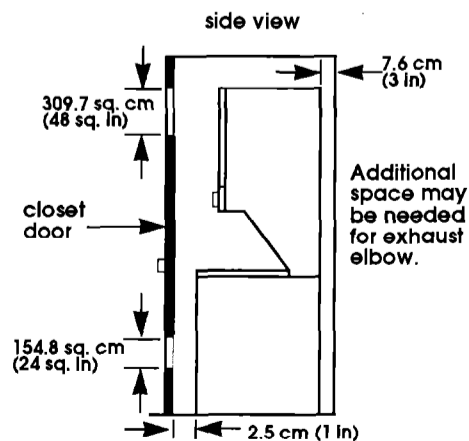
Minimum installation spacing

Note: If recessed installation is exhausted, all spacing can be 0 cm (0 in). Additional clearance for wall, door and floor molding may be required.

Closet installation



Unobstructed air openings are minimum for closet door. Louvered door with equivalent air openings is acceptable.



Closet installation must be exhausted outdoors.

Recessed, non-exhausted installation must use only the rear exhaust position and Exhaust Deflector Kit No. 4500 is required.

If washer/dryer does not operate...

- Check that the circuit breaker is not tripped or the house fuse blown.
- Check that power supply cord is plugged into wall receptacle.



Printed on recycled paper.
10% post consumer waste/
50% recovered materials.