



Room Air Conditioners

Safety Instructions 2, 3

Operating Instructions
Controls 4-6

Care and Cleaning
Air Filter 6
Outdoor Coils 6

Installation Instructions 7-13

Troubleshooting Tips 14
Normal Operating Sounds 14

Consumer Support
Consumer Support Back Cover
Warranty 15

*ENERGY STAR® labeled product



As an ENERGY STAR® partner, GE has determined that this product meets the ENERGY STAR® guidelines for energy efficiency.

Write the model and serial numbers here:

Model # _____

Serial # _____

Find these numbers on a label on the side of the air conditioner.

**Owner's Manual and
Installation Instructions**

AEH24*

Climatiseur

**Manuel d'utilisation et
instructions d'installation**

La section française commence à la page 17

Acondicionador de aire

**Manual del propietario
y instrucciones de
instalación**

La sección en español empieza en la página 33

IMPORTANT SAFETY INFORMATION.

READ ALL INSTRUCTIONS BEFORE USING.

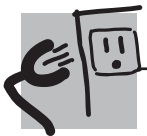
WARNING!

For your safety, the information in this manual must be followed to minimize the risk of fire, electric shock or personal injury.



SAFETY PRECAUTIONS

- Use this appliance only for its intended purpose as described in this Owner's Manual.
- This air conditioner must be properly installed in accordance with the Installation Instructions before it is used.
- Never unplug your air conditioner by pulling on the power cord. Always grip plug firmly and pull straight out from the receptacle.
- Replace immediately all electric service cords that have become frayed or otherwise damaged. A damaged power supply cord must be replaced with a new power supply cord obtained from the manufacturer and not repaired. Do not use a cord that shows cracks or abrasion damage along its length or at either the plug or connector end.
- Turn the unit **OFF** and unplug your air conditioner before cleaning.
- GE does not support any servicing of the air conditioner. We strongly recommend that you do not attempt to service the air conditioner yourself.
- For your safety...do not store or use combustible materials, gasoline or other flammable vapors or liquids in the vicinity of this or any other appliance.
- All air conditioners contain refrigerants, which under federal law must be removed prior to product disposal. If you are getting rid of an old product with refrigerants, check with the company handling disposal about what to do.
- If the receptacle does not match the plug, the receptacle must be changed out by a qualified electrician.
- These R410A air conditioning systems require contractors and technicians to use tools, equipment and safety standards approved for use with this refrigerant. **DO NOT** use equipment certified for R22 refrigerant only.



HOW TO CONNECT ELECTRICITY

Do not, under any circumstances, cut or remove the third (ground) prong from the power cord. For personal safety, this appliance must be properly grounded.

DO NOT use an adapter plug with this appliance.

The power cord of this appliance is equipped with a 3-prong (grounding) plug which mates with a standard 3-prong (grounding) wall outlet to minimize the possibility of electric shock hazard from this appliance.

Power cord includes a current interrupter device. A test and reset button is provided on the plug case. The device should be tested on a periodic basis by first pressing the **TEST** button and then the **RESET** button while plugged into the outlet. If the **TEST** button does not trip or if the **RESET** button will not stay engaged, discontinue use of the air conditioner and contact a qualified service technician.

Have the wall outlet and circuit checked by a qualified electrician to make sure the outlet is properly grounded.

Where a 2-prong wall outlet is encountered, it is your personal responsibility and obligation to have it replaced with a properly grounded 3-prong wall outlet.

The air conditioner should always be plugged into its own individual electrical outlet which has a voltage rating that matches the rating plate.

This provides the best performance and also prevents overloading house wiring circuits which could cause a fire hazard from overheated wires.

See the Installation Instructions, **Electrical Requirements** section for specific electrical connection requirements.

⚠ WARNING!



USE OF EXTENSION CORDS

RISK OF FIRE. Could cause serious injury or death.

- *DO NOT* use an extension cord with this Window Air Conditioner.
- *DO NOT* use surge protectors or multi-outlet adaptors with this Window Air Conditioner.

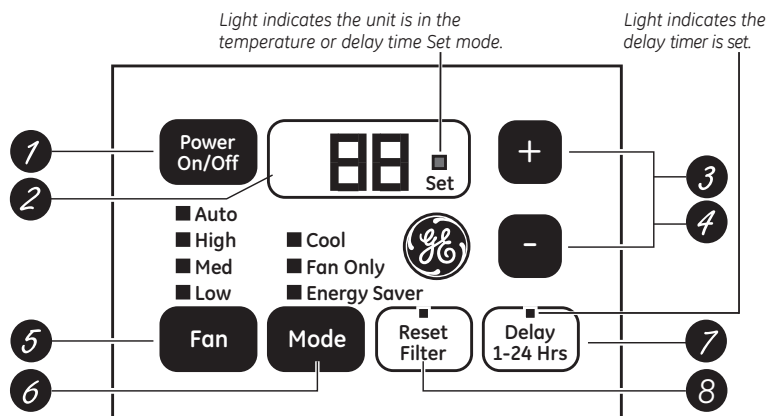


**READ AND FOLLOW THIS SAFETY INFORMATION CAREFULLY.
SAVE THESE INSTRUCTIONS**

About the controls on the air conditioner.

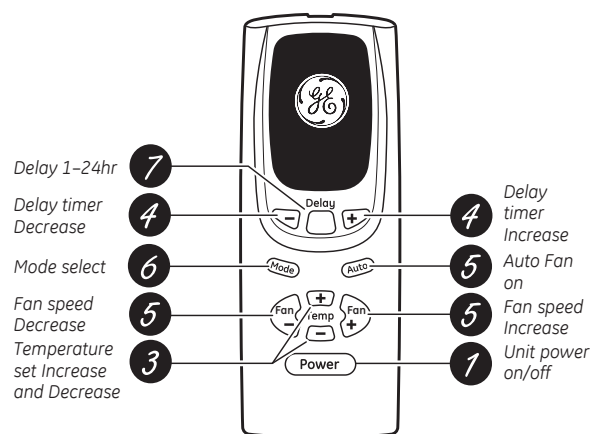
Features and appearance will vary.

Lights next to the touch pads on the air conditioner control panel indicate the selected settings.



NOTE: The display always shows the room temperature except when setting the Set temperature or the Delay timer.

Air Conditioner Controls



Remote Control



Controls

1 Power Pad

Turns air conditioner on and off. When turned on, the display will show the room temperature.

2 Display

Shows the room temperature or time remaining on the Delay timer. Shows the **Set** temperature while setting the temperature in **Cool** or **Energy Saver** modes. The **Set** light will turn on while setting.

3 Temp Increase ▲ / Decrease ▼ Pads

Use to set temperature when in **Cool** or **Energy Saver** mode. The **Set** light will turn on while setting.

4 Delay Timer Increase ▲ (+) / Decrease ▼ (-) Pads

Each touch of the **Increase ▲ / Decrease ▼** pads on the unit or the **Increase + / Decrease -** pads on the remote control will set the delay time when using the **Delay 1-24hr** timer. The **Set** light will turn on while setting.

5 Fan Speed Pads

Use to set the fan speed to **Low**, **Med**, **High** or **Auto** on the unit. **NOTE:** On the remote control, use the fan speed **Increase + / Decrease -** pads to set the fan speeds to **Low**, **Med** or **High**. Use the **Auto** pad to turn **Auto** fan on.

6 Mode Pad

Use to set the air conditioner to **Cool**, **Energy Saver** or **Fan Only** mode.

7 Delay Pads/Delay 1-24hr Pad

Delay ON—When the air conditioner is off, it can be set to automatically come on in 1 to 24 hours at its previous mode and fan settings.

Delay OFF—When the air conditioner is on, it can be set to automatically turn off in 1 to 24 hours.

How to set:

Press the **Delay 1-24hr** pad on the unit or the **Delay pad** on the remote control. Each touch of the **Increase ▲ / Decrease ▼** pads on the unit or the **Increase + / Decrease -** pads on the remote control will set the timer in 1-hour intervals. The **Set** light will turn on while setting.

To review the remaining time on the **Delay 1-24hr** timer, press the **Delay 1-24hr** pad on the unit or the **Delay pad** on the remote control. Use the **Increase ▲ / Decrease ▼** pads on the unit or the **Increase + / Decrease -** pads on the remote control to set a new time if desired.

To cancel the timer, press the **Delay 1-24hr** pad until the light on the **Delay 1-24hr** pad goes off.

8 Reset Filter

LED will turn on when fan has accumulated 250 hours of run time as a reminder to clean filter. Press **Reset Filter** to turn off the LED and reset the accumulated run time.

Note: The default temperature reading on the display is degree Fahrenheit (°F). To change the display to degree Celsius (°C), press the Temp Increase ▲ and Temp Decrease ▼ buttons together and hold for 3 seconds. Repeat the process to change back to degree Fahrenheit (°F)

Do Not Operate in Freezing Outdoor Conditions

This cool-only air conditioner was not designed for freezing outdoor conditions. It must not be used in freezing outdoor conditions.

Remote Control

- To ensure proper operation, aim the remote control at the signal receiver on the air conditioner.
- Make sure nothing is between the air conditioner and the remote control that could block the signal.
- The remote control signal has a range of up to 20 feet.
- Make sure batteries are fresh and installed correctly as indicated on the remote control.
- Remote contains a magnet allowing it to attach to metal surfaces.

Cool Mode

Use the **Cool** mode at **Low**, **Med**, **High** or **Auto Fan Speed** for cooling. Use the **Temperature Increase ▲ / Decrease ▼** pads to set the desired temperature between 64°F and 86°F in 1°F increments.

An electronic thermostat is used to maintain the room temperature. The compressor will cycle on and off to keep the room at the set level of comfort. Set the thermostat at a lower number and the indoor air will become cooler. Set the thermostat at a higher number and the indoor air will become warmer.

NOTE: If the air conditioner is off and is then turned on while set to a **Cool** setting or if turned from a fan setting to a **Cool** setting, it may take approximately 3 minutes for the compressor to start and cooling to begin.

Cooling Descriptions

For Normal Cooling—Select the **Cool** mode and **High** or **Med** fan with a middle set temperature.

For Maximum Cooling—Select the **Cool** mode and **High** fan with a lower set temperature.

For Quieter and Nighttime Cooling—Select the **Cool** mode and **Low** fan with a middle set temperature.

Energy Saver Mode

This mode optimizes the cooling power of your air conditioner, thereby saving you energy. Once the set point temperature has been reached, the fan will cycle off to save energy. The fan will cycle back on periodically to insure all cooling capacity in the system is used. This mode is the default mode for the unit. Each time the unit is powered off, it will restart in **Energy Saver** mode **ON**. This includes **Delay** timer mode. The first time the unit is turned on, the settings will be 70° and **Low** fan. You can adjust the fan speed and temperature to your personal comfort.

Energy Saver ON—Helps minimize electricity use. It is normal for the fan to cycle off and then back on in this mode. This on/off cycle can repeat multiple times. Because the fan will cycle off, you may notice a variation in room temperature and humidity.

Energy Saver OFF—When this mode is not engaged, the fan will run continuously, and in **Cool** mode the compressor will cycle on and off to maintain room temperature.

Fan Only Mode

Use the Fan Only Mode at Low, Med or High fan speed to provide air circulation and filtering without cooling. Since fan-only settings do not provide cooling, a Set temperature cannot be entered. The room temperature will appear in the display.

NOTE: Auto Fan Speed cannot be used when in the **Fan Only** Mode.

Auto Fan Speed

Set to **Auto** fan speed for the fan speed to automatically set to the speed needed to provide optimum comfort settings with the set temperature. If the room needs more cooling, the fan speed

will automatically increase. If the room needs less cooling, the fan speed will automatically decrease.

NOTE: Auto Fan Speed cannot be used when in the **Fan Only** Mode.

Power Outage Recovery Feature

In the case of a power outage or interruption, the unit will automatically restart in the settings last used after the power is restored. If the **Delay 1–24hr**

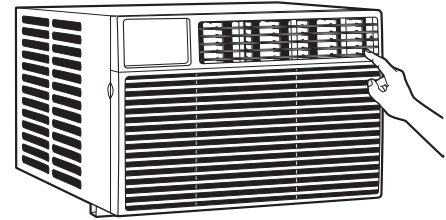
feature was set, it will resume countdown. You may need to set a new time if desired.

About the controls on the air conditioner

Additional important information.

Air Direction

Use the lever to adjust the air direction left and right only.



Care and cleaning of the air conditioner.

Grille and Case

Turn the air conditioner off and remove the plug from the wall outlet before cleaning.

To clean, use water and a mild detergent. Do not use bleach or abrasives.

Air Filter

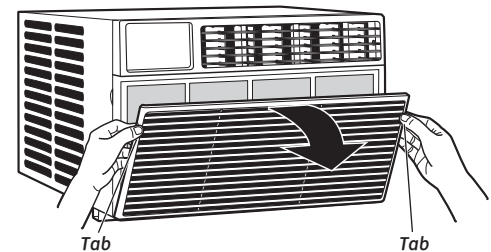
The air filter behind the front grille should be checked and cleaned at least every 30 days or more often if necessary.

To remove:

Open the inlet grille by pulling downward on the tabs at the top upper corners of the inlet grille until the grille is in a 45° position. Remove the filter.

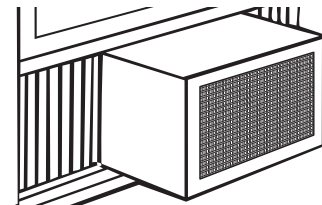
Clean the filter with warm, soapy water. Rinse and let the filter dry before replacing it. Do not clean the filter in a dishwasher.

⚠ CAUTION: DO NOT operate the air conditioner without a filter because dirt and lint will clog it and reduce performance.



Outdoor Coils

The coils on the outdoor side of the air conditioner should be checked regularly. If they are clogged with dirt or soot, they may be professionally cleaned.



How to Insert the Batteries in the Remote Control

- 1 Remove the battery cover by sliding it according to the arrow direction.
- 2 Insert new batteries, making sure that the (+) and (-) of battery are installed correctly.
- 3 Reattach the cover by sliding it back into position.

NOTES:

- Use 2 "AAA" (1.5 volt) alkaline batteries. Do not use rechargeable batteries.
- Remove the batteries from the remote control if the system is not going to be used for a long time.
- Do not mix old and new batteries. Do not mix alkaline, standard (carbon-zinc) or rechargeable (ni-cad, ni-mh, etc) batteries.

Installation Instructions

Air Conditioner


? Questions? Call 800.GE.CARES (800.432.2737) or Visit our Website at: GEAppliances.com

BEFORE YOU BEGIN


Read these instructions completely and carefully.

- **IMPORTANT** — Save these instructions for local inspector's use.
- **IMPORTANT** — Observe all governing codes and ordinances.
- **Note to Installer** – Be sure to leave these instructions with the Consumer.
- **Note to Consumer** – Keep these instructions for future reference.
- **Skill level** – Installation of this appliance requires basic mechanical skills.
- **Completion time** – Approximately 1 hour
- We recommend that two people install this product.
- Proper installation is the responsibility of the installer.
- Product failure due to improper installation is not covered under the Warranty.
- You **MUST** use all supplied parts and use proper installation procedures as described in these instructions when installing this air conditioner.

ELECTRICAL REQUIREMENTS

 Some models require a 115/120-volt AC, 60-Hz grounded outlet protected with a 15-amp time-delay fuse or circuit breaker.

The 3-prong grounding plug minimizes the possibility of electric shock hazard. If the wall outlet you plan to use is only a 2-prong outlet, it is your responsibility to have it replaced with a properly grounded 3-prong wall outlet.

 Some models require 230/208-volt AC, protected with a time-delay fuse or circuit breaker. These models should be installed on their own single branch circuit for best performance and to prevent overloading house or apartment wiring circuits, which could cause a possible fire hazard from overheating wires.

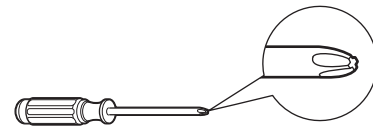
CAUTION:

Do not, under any circumstances, cut or remove the third (ground) prong from the power cord.

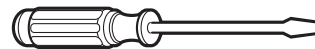
Do not change the plug on the power cord of this air conditioner.

Aluminum house wiring may present special problems—consult a qualified electrician.

TOOLS YOU WILL NEED



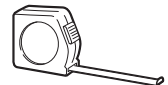
Phillips head screwdriver



Flat-blade screwdriver



Pencil



Ruler or tape measure



Level

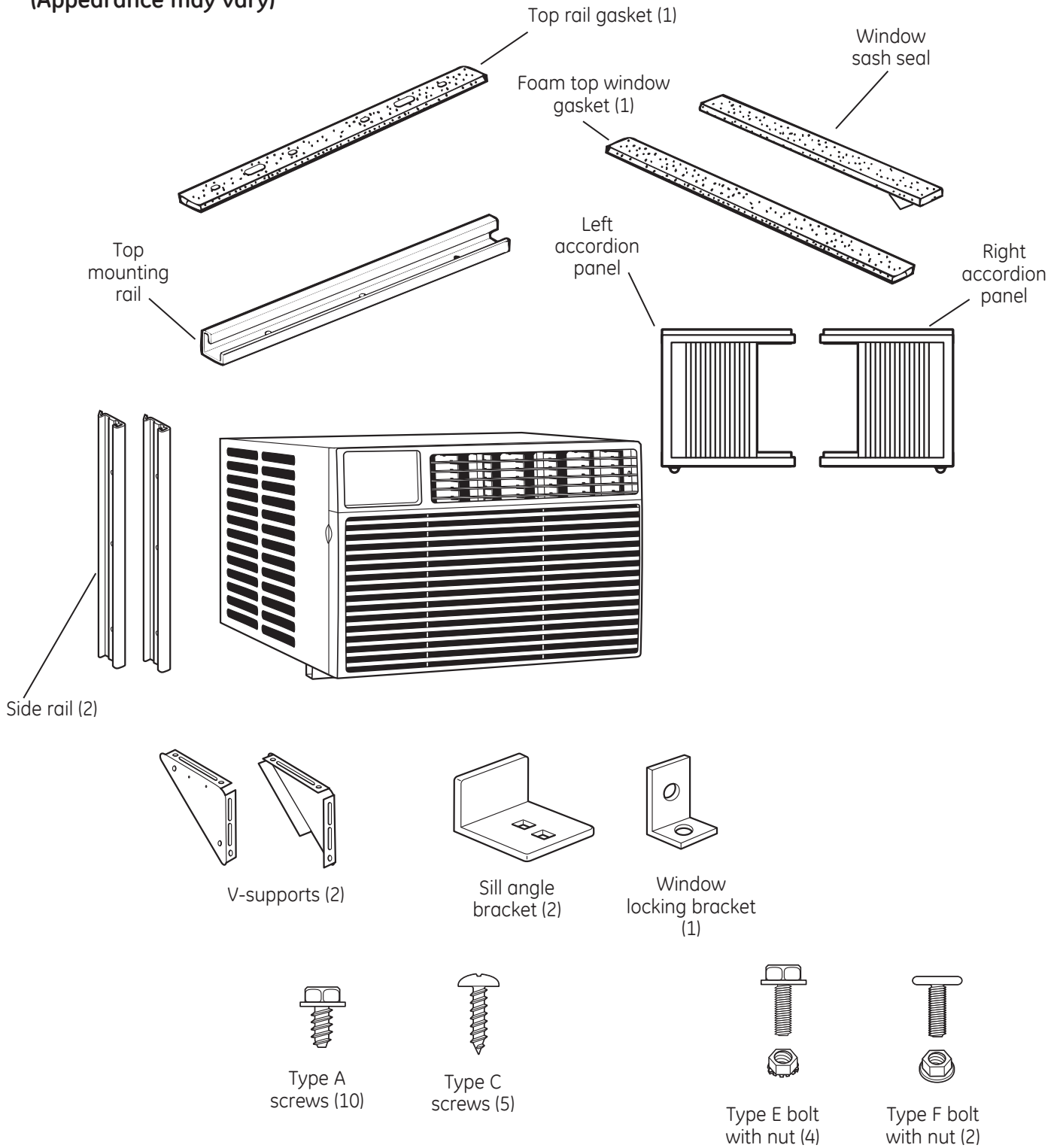


Scissors or knife

Power cord includes a current interrupter device. A test and reset button is provided on the plug case. The device should be tested on a periodic basis by first pressing the **TEST** button and then the **RESET** button while plugged into the outlet. If the **TEST** button does not trip or if the **RESET** button will not stay engaged, discontinue use of the air conditioner and contact a qualified service technician.

Installation Instructions

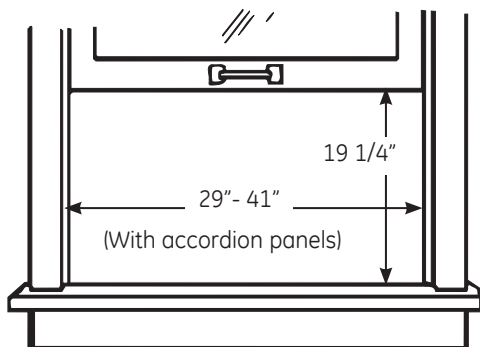
PARTS INCLUDED (Appearance may vary)



Installation Instructions

1 WINDOW REQUIREMENTS

- These instructions are for a standard double-hung window. You will need to modify them for other types of windows.
- All supporting parts must be secured to firm wood, masonry or metal.
- The electrical outlet must be within reach of the power cord.
- Follow the dimensions in the table and illustration for your model.



2 STORM WINDOW REQUIREMENTS

A storm window frame will not allow the air conditioner to tilt toward the outside, and will keep it from draining properly.

To adjust for this, attach a piece of wood to the sill.

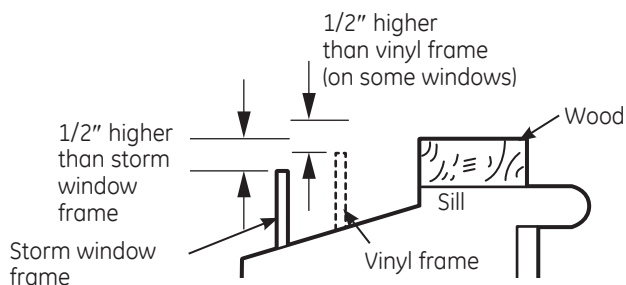
WOOD PIECES

WIDTH: 2"

LENGTH: Long enough to fit inside the window frame.

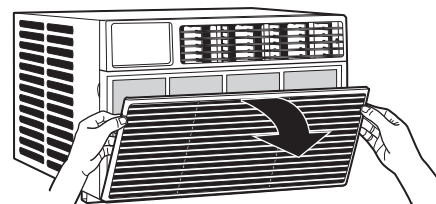
THICKNESS: To determine the thickness, place a piece of wood on the sill to make it 1/2" higher than the top of the storm window frame or the vinyl frame.

Attach securely with nails or screws provided by the installer.

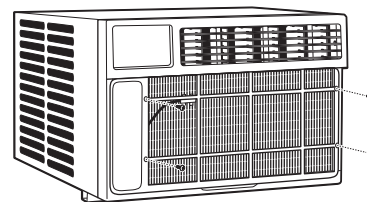


3 PREPARE THE AIR CONDITIONER

- A** Pull down the front panel and remove the filter. Remove the front panel by lifting up at an angle.

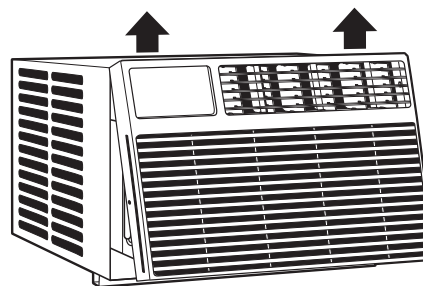


- B** Remove the four front screws. Save them for reinstalling the front housing.



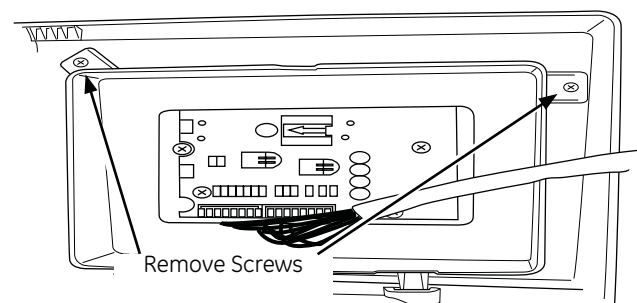
- C** Grasp the lower corners of the grille while pressing in on the case sides with your finger tips. Pull out to release and lift it up.

NOTE: Do not pull the bottom edge toward you more than 3" or you may damage the tabs of the grille.



- D** When the front grille is removed the control panel will still be attached by a harness. Turn the grille around so you can see the back side of the grille. Remove the 2 screws to separate the control panel housing from the grille.

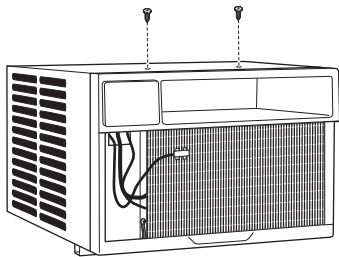
NOTE: Be sure to save these screws. You will need them later in the installation.



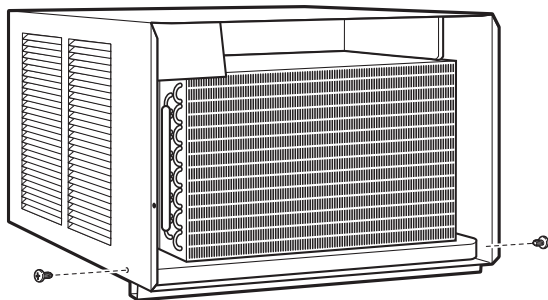
Installation Instructions

3 PREPARE THE AIR CONDITIONER (continues)

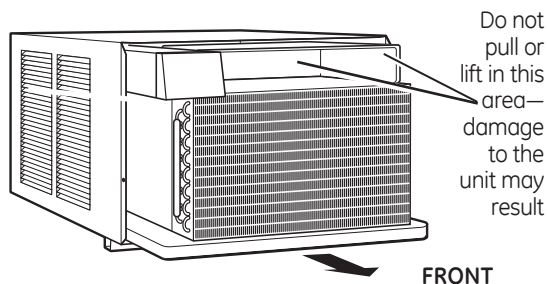
- E** Remove the shipping screws located on the top of the case.



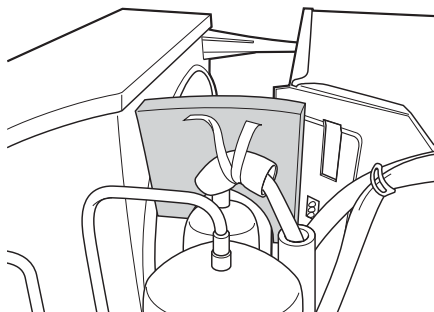
- F** Remove the ground screws from each side of the case. Keep them in a safe location.
NOTE: Be sure to save these screws. You will need them later in the installation.



- G** Slide the air conditioner from the case by gripping the base pan handle and pulling forward while bracing the case. Do not pull or lift on the styrofoam discharge area.

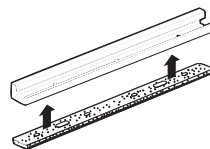


- H** Your unit may come with internal packaging. This packaging must be removed prior to installing the air conditioner back into the cabinet.

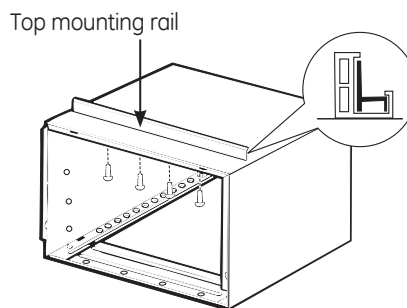


4 PREPARE THE CASE

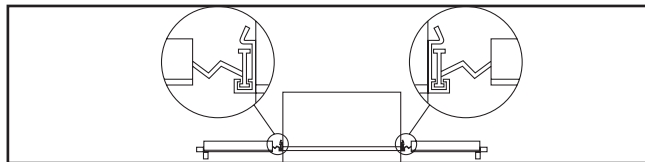
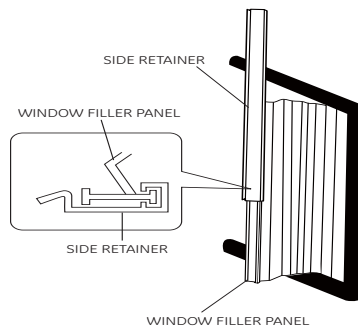
- A** Attach the top rail gasket to the bottom of the top rail.



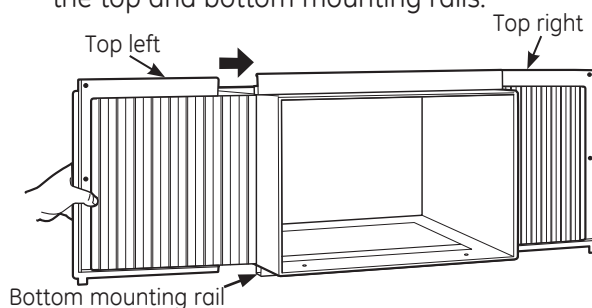
- B** Install the top mounting rail with 4 type A screws from the inside of the case. Press firmly to drive the screws into the gasket and through the top mounting rail.



- C** Slide each side retainer onto the edge of each accordion panel. The figure shows the orientation of each accordion panel and side retainer assembly relative to the case from a top view of the unit.



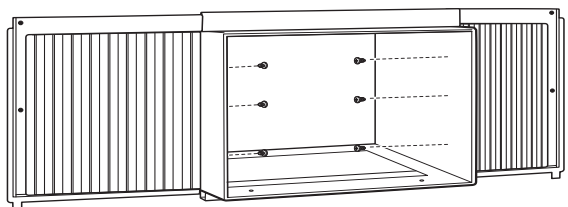
- D** Slide the left and right accordion panels into the top and bottom mounting rails.



Installation Instructions

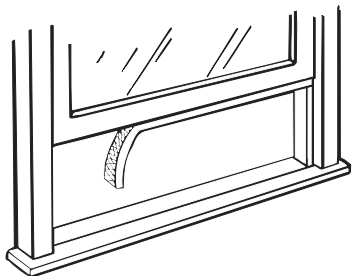
4 PREPARE THE CASE (continues)

- E** Attach the side retainers to the case using 6 type A screws.



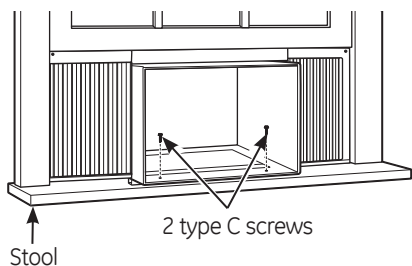
5 PREPARE THE WINDOW AND INSTALL THE CASE

- A** Cut the window sash seal to the proper length. Peel off the backing and attach the seal to the underside of the window sash.



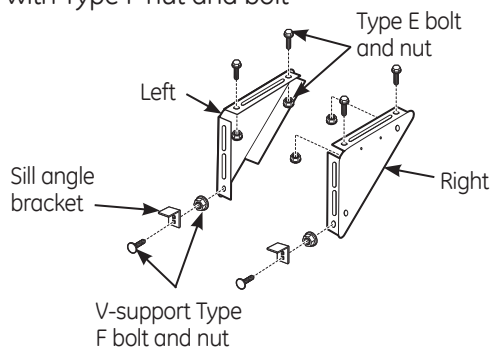
- B** Open the window and mark the center of the window sill.

- C** Carefully slide the case into the window and center the case. Lower the window behind the top mounting rail. Pull the bottom of the case forward so that the bottom mounting rail is tight against the back of the window stool. Mount the case to the window sill using 2 type C screws. Drill pilot holes, if necessary.

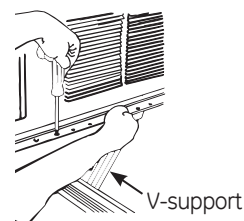


5 PREPARE THE WINDOW AND INSTALL THE CASE (continues)

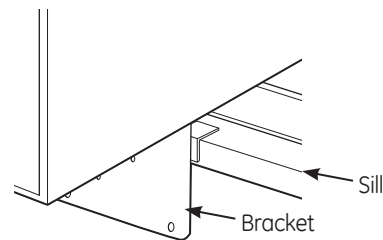
- D** Assemble the V-support and V-support bracket with Type F nut and bolt



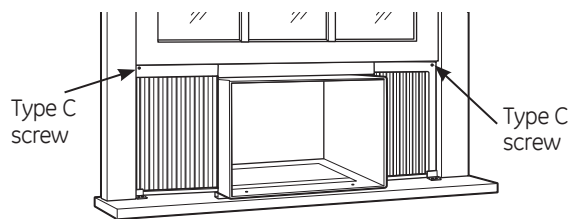
- E** Position the V-supports on the case bottom so that they will be near the outside wall. Attach a V-support to each side of the bottom of the case with Type E bolts, 2 for each support.



- F** Adjust sill angle brackets to rest on sill.



- G** Extend the left and right accordion panels to the vertical window sashes. Drill pilot holes and attach the top corners with 2 type C screws.



Installation Instructions

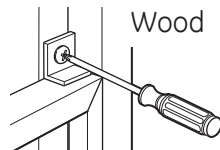
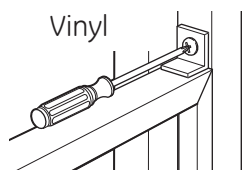
5 PREPARE THE WINDOW AND INSTALL THE CASE (continues)

H **CAUTION:**

To prevent broken glass or damage to windows, on vinyl or other similarly constructed windows, attach the window locking bracket to the window side jamb.

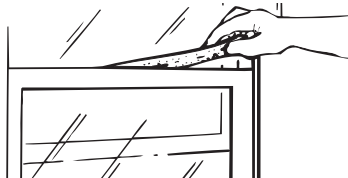
Attach the window locking bracket with one Type C screw.

This unit contains two window locking brackets.



I Cut the foam top window gasket to the window width.

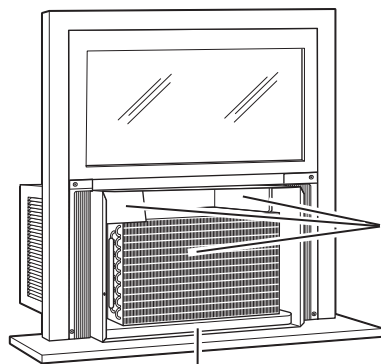
J Stuff the foam between the glass and the window to prevent air and insects from getting into the room.



NOTE: If the gasket supplied does not fit your window, obtain appropriate material locally to provide a proper installation seal.

6 INSTALL THE AIR CONDITIONER IN THE CASE

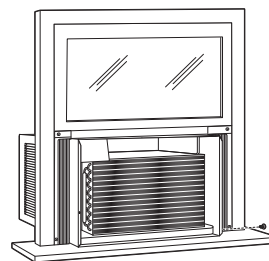
A Slide the air conditioner into the case by the base pan. Do not push on the controls, styrofoam air discharge housing or the finned coils. Make sure the air conditioner is firmly seated.



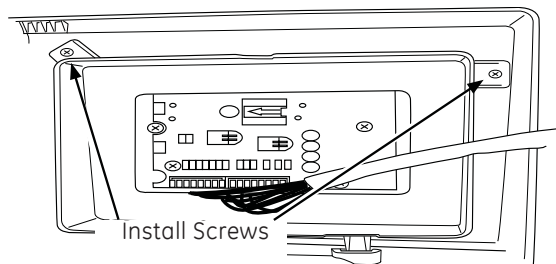
Do not press on these areas—damage to the unit may result

6 INSTALL THE AIR CONDITIONER IN THE CASE (continues)

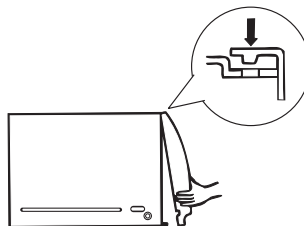
B Replace the 1 screw removed earlier, one on each side of the case.
IMPORTANT: THE GROUND SCREWS MUST BE REINSTALLED TO ENSURE PROPER GROUND.



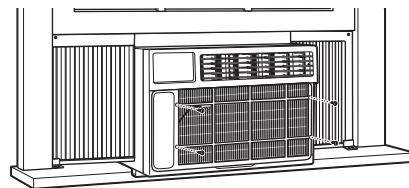
C Reinstall the control to the panel housing by replacing the 2 screws you removed earlier.



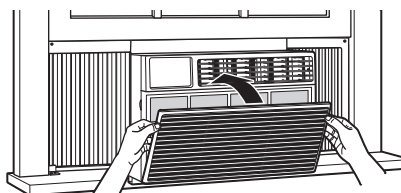
D Attach the front grille to the case by inserting the tabs on the grille into the slots on the front top of the case. Push the grille in.



E Replace the screws.



F Install the filter and the front grille.



G Plug in the air conditioner.

Through-the-Wall Installation Instructions—Optional

The case may be installed through-the-wall in both existing and new construction.

Read completely, then follow step-by-step.

NOTE: Obtain all materials locally for mounting the air conditioner through-the-wall.

1 IMPORTANT

Through-the-wall installation is not appropriate if any of the side or top louvers in the case will be obstructed by the wall.

All side and top louvers in the case must project on the outdoor side of the wall.

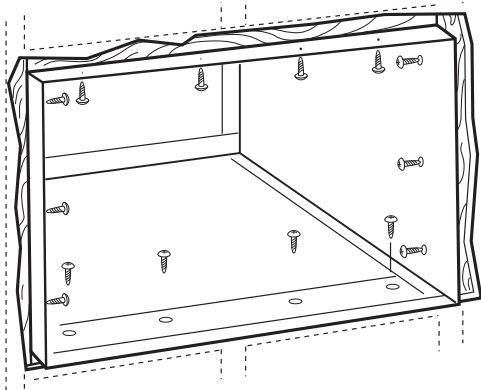
The room side of the case must project into the room far enough to maximize the balance of the unit.

The case must be installed level from side-to-side and with a slight tilt from front to rear. Use a level; no more than a 1/2 bubble will be the correct case slant to the outside.

Lintel angle is required to support bricks or blocks above opening.

Flashing is required and should extend the length of the opening to ensure no inside cavity leakage occurs.

- A** Remove the air conditioner from the case. For specific instruction, refer to the Window Installation Instructions.
- B** Make certain that a wall receptacle is available close to the hole location or make arrangements to install a receptacle.



- C** Place the case in the wall opening and place wood support strips between the case bottom and the flashing on both sides of the bottom rail. They should be the same height as the bottom rail and the same length as the wall opening.

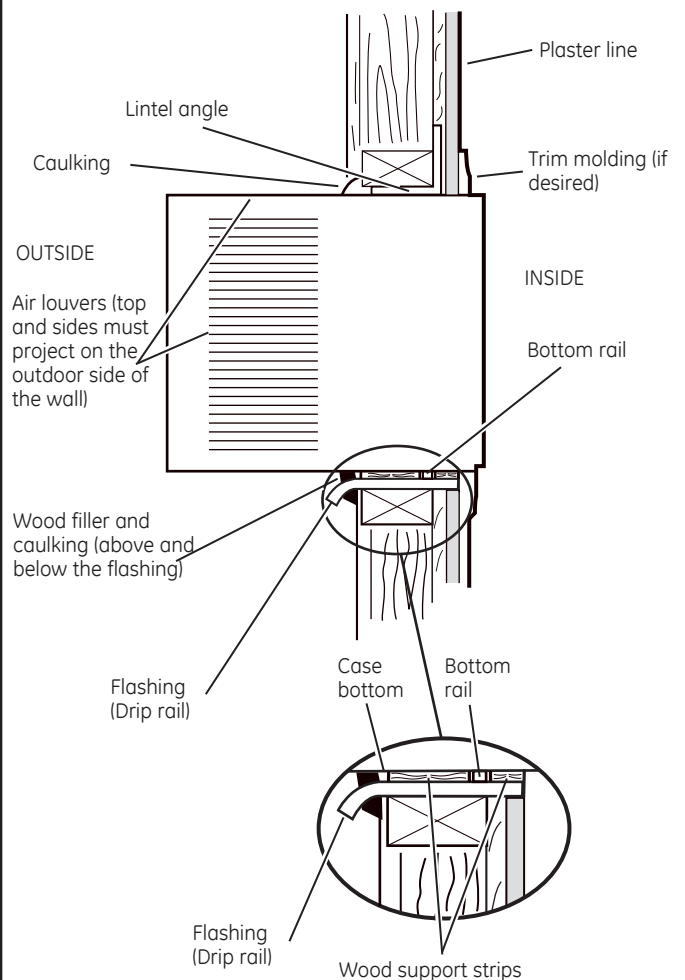
1 IMPORTANT (cont.)

- D** Secure with 14 wood screws anchored at least an inch into the wall support structure.

NOTE: Drill pilot holes, if necessary, for proper installation. If the frame is oversized, use shims to prevent case distortion.

2 FINISH THE WALL OPENING

- A** Caulk all four sides on the outdoor side of the case to prevent moisture from getting through to the interior wall. Use of flashing (drip rail) will further prevent water from dripping inside the wall and down the outside of the building.



- B** Place the air conditioner into the case. For specific instruction, refer to the Window Installation Instructions.

Troubleshooting Tips.

Problem	Possible Causes	What To Do
Air conditioner does not start	The air conditioner is unplugged.	<ul style="list-style-type: none"> • Make sure the air conditioner plug is pushed completely into the outlet.
	The fuse is blown/circuit breaker is tripped.	<ul style="list-style-type: none"> • Check the house fuse/circuit breaker box and replace the fuse or reset the breaker.
	Power failure.	<ul style="list-style-type: none"> • The unit will automatically restart in the settings last used after the power is restored. • There is a protective time delay (approximately 3 minutes) to prevent tripping of the compressor overload. For this reason, the unit may not start normal cooling for 3 minutes after it is turned back on.
	The current interrupter device is tripped.	<ul style="list-style-type: none"> • Press the RESET button located on the power cord plug. • If the RESET button will not stay engaged, discontinue use of the air conditioner and contact a qualified service technician.
Air conditioner does not cool as it should	Airflow is restricted.	<ul style="list-style-type: none"> • Make sure there are no curtains, blinds or furniture blocking the front of the air conditioner.
	The temp control may not be set correctly.	<ul style="list-style-type: none"> • In the Cool mode, press the Decrease ▼ pad.
	The air filter is dirty.	<ul style="list-style-type: none"> • Clean the filter at least every 30 days. See the Care and Cleaning section.
	The room may have been hot.	<ul style="list-style-type: none"> • When the air conditioner is first turned on, you need to allow time for the room to cool down.
	Cold air is escaping.	<ul style="list-style-type: none"> • Check for open furnace registers and cold air returns.
	Cooling coils have iced up.	<ul style="list-style-type: none"> • See "Air conditioner freezing up" below.
Air conditioner freezing up	Ice blocks the air flow and stops the air conditioner from cooling the room.	<ul style="list-style-type: none"> • Set the controls at High Fan or High Cool and set the thermostat to a higher temperature.
The remote control is not working	The batteries are inserted incorrectly.	<ul style="list-style-type: none"> • Check the position of the batteries. They should be inserted in the opposite (+) and (-) direction.
	The batteries may be dead.	<ul style="list-style-type: none"> • Replace the batteries.
Water drips outside	Hot, humid weather.	<ul style="list-style-type: none"> • This is normal.
Water drips indoors	The air conditioner is not tilted to the outside.	<ul style="list-style-type: none"> • For proper water disposal, make sure the air conditioner slants slightly from the case front to the rear.
Water collects in base pan	Moisture removed from air and drains into base pan.	<ul style="list-style-type: none"> • This is normal for a short period in areas with little humidity; normal for a longer period in very humid areas.

Normal Operating Sounds

- You may hear a pinging noise caused by water being picked up and thrown against the condenser on rainy days or when the humidity is high. This design feature helps remove moisture and improve efficiency.
- You may hear the thermostat click when the compressor cycles on and off.
- Water will collect in the base pan during high humidity or on rainy days. The water may overflow and drip from the outdoor side of the unit.
- The fan may run even when the compressor does not.

GE Air Conditioner—One-Year Limited Warranty.



All warranty service provided by our Factory Service Centers, or an authorized Customer Care® technician. To schedule service, visit us on-line at ge.com, or call 800.GE.CARES (800.432.2737). Have serial number and model number available when calling for service.

Staple your receipt here.
Proof of the original purchase date is needed to obtain service under the warranty.

For The Period Of: GE Will Replace:

One Year

From the date of the original purchase

Any part of the air conditioner which fails due to a defect in materials or workmanship. During this **limited one-year warranty**, GE will also provide, **free of charge**, all labor and related service to replace the defective part.

What Is Not Covered:

- Service trips to your home to teach you how to use the product.
- Improper installation, delivery or maintenance. If you have an installation problem, or if the air conditioner is of improper cooling capacity for the intended use, contact your dealer or installer. You are responsible for providing adequate electrical connecting facilities.
- Failure of the product resulting from modifications to the product or due to unreasonable use including failure to provide reasonable and necessary maintenance.
- In commercial locations, labor necessary to move the unit to a location where it is accessible for service by an individual technician.
- Replacement of house fuses or resetting of circuit breakers.
- Failure due to corrosion on models not corrosion-protected.
- Damage to the product caused by improper power supply voltage, accident, fire, floods or acts of God.
- Incidental or consequential damage caused by possible defects with this air conditioner.
- Damage caused after delivery.

EXCLUSION OF IMPLIED WARRANTIES—Your sole and exclusive remedy is product repair as provided in this Limited Warranty. Any implied warranties, including the implied warranties of merchantability or fitness for a particular purpose, are limited to one year or the shortest period allowed by law.

This warranty is extended to the original purchaser and any succeeding owner for products purchased for home use within the USA. If the product is located in an area where service by a GE Authorized Servicer is not available, you may be responsible for a trip charge or you may be required to bring the product to an Authorized GE Service location for service. In Alaska, the warranty excludes the cost of shipping or service calls to your home.

Some states do not allow the exclusion or limitation of incidental or consequential damages. This warranty gives you specific legal rights, and you may also have other rights which vary from state to state. To know what your legal rights are, consult your local or state consumer affairs office or your state's Attorney General.

Warrantor: General Electric Company. Louisville, KY 40225

Notes.

Consignes de sécurité18-19

Consignes d'utilisation

Commandes20-22

Entretien et nettoyage

Filtre à air 22

Serpentins extérieurs 22

Instructions de montage23-29

Conseils de dépannage 30

Bruits normaux de fonctionnement 30

Assistance à la clientèle

Assistance à la clientèle 32

Garantie 31

AEH24*

* Produits homologués ENERGY STAR®



En tant que partenaire d'ENERGY STAR®, GE a déterminé que ce produit était conforme aux exigences d'efficacité énergétique d'ENERGY STAR®.

Inscrivez ici les numéros de modèle et de série :

Numéro de modèle : _____

Numéro de Série : _____

Vous trouverez ces numéros sur l'étiquette apposée sur le côté du climatiseur.

IMPORTANTES CONSIGNES DE SÉCURITÉ.

VEUILLEZ LIRE TOUTES LES CONSIGNES AVANT UTILISATION.

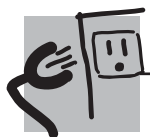
⚠ AVERTISSEMENT!

Pour votre sécurité, les informations contenues dans ce manuel doivent être suivies afin de minimiser les risques d'incendie, de chocs électriques ou de blessures corporelles.



CONSIGNES DE SÉCURITÉ

- N'utilisez cet appareil qu'aux fins prévues décrites dans le manuel d'utilisation.
- Ce climatiseur doit être correctement installé conformément aux Instructions d'Installation avant toute utilisation.
- Ne débranchez jamais votre climatiseur en tirant sur le cordon d'alimentation. Prenez toujours fermement la fiche en main et tirez pour la sortir de la prise.
- Remplacez immédiatement tout cordon électrique usé ou endommagé. Un cordon d'alimentation endommagé doit être remplacé par un nouveau cordon d'alimentation obtenu du fabricant. Ne réparez pas le cordon endommagé. N'utilisez pas un cordon fissuré ou présentant des dommages dus aux frottements soit sur sa longueur ou aux extrémités du côté de la fiche ou du raccord.
- Eteignez votre climatiseur et débranchez-le avant de le nettoyer.
- GE n'offre pas de service d'entretien pour les climatiseurs. Nous vous recommandons de ne pas essayer d'effectuer l'entretien de votre climatiseur vous-même.
- Pour votre sécurité, ne stockez pas et n'utilisez pas de matériaux combustibles, d'essence ou d'autres vapeurs et liquides inflammables dans les parages de cet appareil ou de tout autre appareil.
- Tous les climatiseurs contiennent des fluides frigorigènes qui, conformément, à la législation fédérale doivent être retirés avant la mise au rebut de l'appareil. Si vous mettez au rebut un ancien appareil contenant des fluides frigorigènes, vérifiez la procédure à suivre auprès de la compagnie responsable de l'élimination.
- Si la prise de courant est d'un format différent de la fiche, cette prise doit être changée par un électricien qualifié.
- Ces systèmes de climatisation R410A nécessitent que les entrepreneurs et techniciens adoptent des outils, du matériel et des normes de sécurité approuvés pour utilisation avec ce réfrigérant. N'utilisez pas de matériel certifié pour le réfrigérant R22 uniquement.



BRANCHEMENTS ÉLECTRIQUES

Ne coupez pas ou n'enlevez pas, sous aucun prétexte, la troisième broche de mise à la terre du cordon d'alimentation. Pour des raisons de sécurité, cet appareil doit être correctement mis à la terre.

N'utilisez PAS d'adaptateur avec cet appareil.

Le cordon d'alimentation de cet appareil est équipé d'une fiche à trois broches (pour une mise à la terre) qui s'adapte à la prise de courant standard à 3 broches (pour une mise à la terre) pour minimiser les risques de chocs électriques par cet appareil.

Le cordon d'alimentation est équipé d'un dispositif d'interruption du courant. Un bouton d'essai et de réenclenchement est fourni sur le boîtier de la prise. Vous devez tester le mécanisme régulièrement en appuyant d'abord sur le bouton **TEST** (essai) puis sur le bouton **RESET** (réenclenchement) lorsque l'appareil est branché. Si le bouton **TEST** (essai) ne bascule pas ou si le bouton **RESET** (réenclenchement) ne reste pas enclenché, cessez d'utiliser votre climatiseur et appelez un technicien de service qualifié.

Faites vérifier la prise murale et le circuit électrique par un électricien qualifié pour s'assurer que le système est correctement mis à la terre.

Dans le cas d'une prise biphasée, l'installateur a la responsabilité et l'obligation de la remplacer par une prise triphasée correctement mise à la terre.

Le climatiseur doit toujours être branché à sa propre prise électrique d'une tension nominale correspondant à celle indiquée sur sa plaque signalétique.

Ceci permet d'obtenir un meilleur rendement du climatiseur et évite de surcharger les circuits électriques du domicile qui risque d'occasionner un incendie en surchauffant.

Consultez les Consignes d'Installations, dans la section **Exigences Electriques** pour les exigences de branchements électriques particuliers.

⚠️ AVERTISSEMENT!



UTILISATION DE RALLONGES

RISQUE D'INCENDIE. *Peut occasionner des blessures graves ou la mort.*

- NE PAS utiliser de rallonge avec ce climatiseur.
- NE PAS utiliser de parasurtenseur ou d'adaptateur à prises multiples avec ce climatiseur.



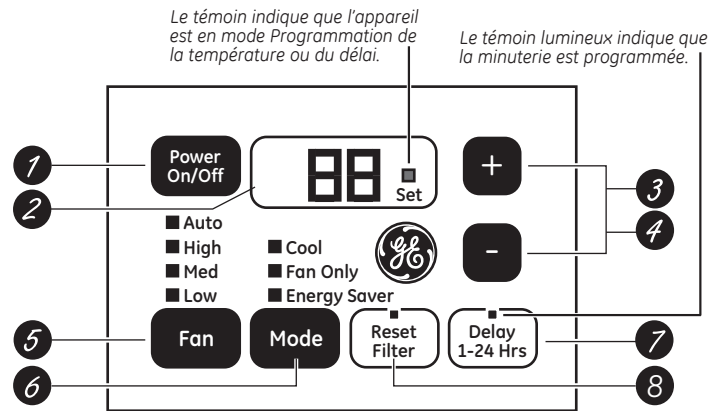
LISEZ ET SUIVEZ SOIGNEUSEMENT CES CONSIGNES DE SÉCURITÉ.

CONSERVEZ CES INSTRUCTIONS

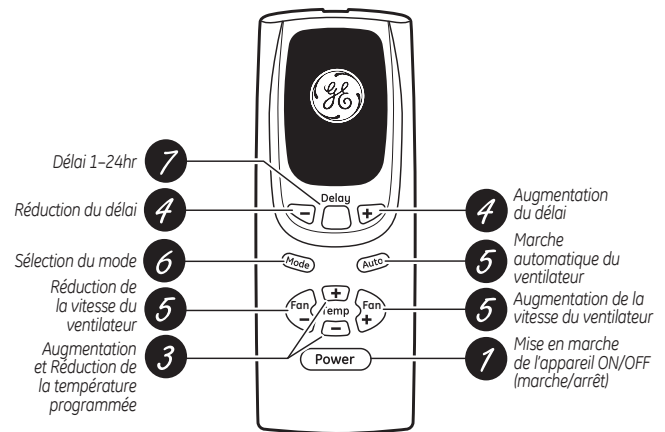
A propos des commandes du climatiseur.

Les fonctions et l'aspect peuvent varier.

Les témoins lumineux à côté des touches à effleurement sur le tableau de commandes du climatiseur indiquent les réglages sélectionnés.



NOTE : L'écran affiche toujours la température de la pièce sauf lorsque vous programmez la température ou la minuterie.



Télécommande

Commandes du Climatiseur

Commandes



- 1 Touche d'alimentation**
Met le climatiseur en position de marche ou d'arrêt. L'écran affiche la température de la pièce lorsque l'appareil est mis en marche.
- 2 Affichage**
Affiche la température de la pièce ou le temps restant avant la mise en marche ou l'arrêt de l'appareil. Affiche la température de réglage lors de la programmation de la température pour les modes **Cool (refroidissement)** ou **Energy Saver** (économie d'énergie). Le témoin lumineux **Set** (programmé) s'allume lors du réglage.
- 3 Touches Temp Increase (Augmentation température) ▲ / Decrease (Réduction de la température) ▼** Sont utilisées pour programmer la température dans les modes **Cool** ou **Energy Saver**. Le témoin lumineux **Set** s'allume lors du réglage.
- 4 Touches Delay Timer Increase (Augmentation du délai) ▲ (+) / Decrease (Diminution du délai) ▼ (-)**
Chaque fois que vous effleurez les touches **Increase ▲ / Decrease ▼** sur l'appareil ou les touches **Increase + / Decrease -** de la télécommande, vous programmez la durée du délai lors de l'utilisation de la minuterie **Delay 1-24hr** (délai de 1-24h). Le témoin lumineux **Set** s'allume lors du réglage.
- 5 Touches de vitesse du ventilateur**
Sont utilisées pour régler la vitesse du ventilateur de l'appareil sur **Low (faible)**, **Med (moyenne)**, **High (élevée)** ou **Auto (automatique)**. **REMARQUE :** Sur la télécommande, utilisez les touches **Increase + / Decrease -** pour régler la vitesse du ventilateur sur **Low**, **Med**, ou **High**. Utilisez la touche **Auto** pour allumer le ventilateur en mode **Auto**.

- 6 Touche Mode**
Est utilisée pour programmer le climatiseur sur les modes **Cool**, **Energy Saver** ou **Fan Only** (ventilateur uniquement).
- 7 Touches de Délai/ Délai de 1 à 24 heures**
Delay ON (délai de mise en marche)—Lorsque le climatiseur est éteint, il peut être programmé pour démarrer automatiquement dans un délai de 1 à 24 heures à ses réglages précédents (mode, vitesse du ventilateur).
Delay OFF (délai d'arrêt)—Lorsque le climatiseur est en fonctionnement, il peut être programmé pour s'arrêter automatiquement dans un délai de 1 à 24 heures.

Comment le programmer :

Appuyez sur la touche **Delay 1-24hr** (Délai de 1 à 24 heures) de l'appareil ou **Delay pad** (Touches de Délai) de la télécommande. Chaque fois que vous effleurez les touches **Increase ▲ / Decrease ▼** sur l'appareil ou les touches **Increase + / Decrease -** de la télécommande, vous programmez la durée du délai par intervalle de 1 heure. Le témoin lumineux **Set** s'allume lors du réglage.

Pour connaître le temps restant sur la minuterie **Delay 1-24hr**, appuyez sur la touche **Delay 1-24hr** de l'appareil ou **Delay pad** (Touches de Délai) de la télécommande. Utilisez les touches **Increase ▲ / Decrease ▼** sur l'appareil ou les touches **Increase + / Decrease -** de la télécommande pour programmer un nouveau délai si nécessaire.

Pour annuler la minuterie, appuyez sur la touche **Delay 1-24hr** jusqu'à ce que le voyant lumineux sur la touche **Delay 1-24hr** s'éteigne.

- 8 Réinitialisation du Filtre**
Le témoin lumineux s'allumera au bout d'un cumul de 250 heures de fonctionnement du ventilateur pour rappeler la nécessité de nettoyer le filtre. Appuyez sur **Reset Filter** pour éteindre le témoin et remettre à zéro le temps de fonctionnement cumulé.

Remarque : La lecture de température par défaut s'affiche en degré Fahrenheit (°F). Pour modifier l'affichage en degré Celsius (°C), appuyez simultanément sur les boutons d'augmentation ▲ ou d'abaissement ▼ de la température et maintenez-les enfoncés pendant 3 secondes. Répétez la méthode pour effectuer un retour à l'affichage des degrés Fahrenheit (°F).

Ne faites pas fonctionner votre appareil lorsque les températures extérieures sont en dessous de 0 °C (32 °F).

Ce climatiseur froid seul n'est pas conçu pour fonctionner avec des températures extérieures en dessous de 0 °C (32 °F). Il ne doit pas être utilisé lorsque les températures extérieures sont en dessous de 0°C (32°F).

Télécommande

- Pour vous assurer d'un fonctionnement correct, pointez la télécommande vers le récepteur de signal du climatiseur.
- Assurez-vous qu'aucun obstacle pouvant bloquer le signal ne se trouve entre le climatiseur et la télécommande.
- Le rayon d'action de la télécommande s'étend jusqu'à 6,4 m (20 pieds).
- Assurez-vous que les piles sont récentes et correctement installées dans la télécommande.
- La télécommande renferme un aimant permettant de la fixer sur des surfaces métalliques.

Mode Cool (refroidissement)

Utilisez le mode Cool (refroidissement) avec la vitesse du ventilateur sur **Low (faible)**, **Med (moyenne)**, **High (élevée)** ou Auto (automatique) pour refroidir. Appuyez sur les touches **Temperature Increase (augmentation de la température) ▲ / Decrease (diminution de la température) ▼** pour programmer la température souhaitée entre 18 °C et 30 °C (64 et 86 °F) par incréments de 0,5 °C (1 °F).

Un thermostat électronique permet de maintenir la température de la pièce. Le compresseur se met en marche et s'arrête à intervalles réguliers pour maintenir la température de la pièce à un niveau de confort choisi. Réglez le thermostat à une valeur plus basse et l'air ambiant se refroidira. Réglez le thermostat à une valeur plus élevée et l'air ambiant se réchauffera.

REMARQUE : Si le climatiseur éteint est allumé alors qu'il est programmé sur un réglage Cool ou si vous passez d'un mode Ventilation à un mode de Refroidissement, il faudra environ 3 minutes pour que le compresseur se remette en marche et recommence à refroidir.

Descriptions du Refroidissement

Pour un Refroidissement Normal — Sélectionnez le mode **Cool** avec la vitesse du ventilateur sur **Med** ou **High** et un réglage à une température moyenne.

Pour un Refroidissement Maximal — Sélectionnez le mode **Cool** avec la vitesse du ventilateur sur **High** et un réglage à une température plus basse.

Pour un Refroidissement plus Silencieux ou Durant la Nuit — Sélectionnez le mode **Cool** avec la vitesse du ventilateur sur **Low** et un réglage à une température moyenne.

Mode Energy Saver (économie d'énergie)

Ce mode optimise la puissance de refroidissement de votre climatiseur, vous faisant du même coup économiser de l'énergie. Une fois la température du point de réglage atteinte, le ventilateur s'éteindra par intervalles pour économiser l'énergie. Il s'allumera aussi périodiquement pour faire en sorte que la pleine capacité de refroidissement du système soit utilisée. Il s'agit du mode par défaut de l'appareil. À chaque fois qu'il est mis hors tension, l'appareil redémarrera en mode Économie d'énergie. Cela inclut aussi le mode **Delay (Délai de mise en marche)**. À la première mise sous tension de l'appareil, les réglages de température et du ventilateur indiqueront respectivement 70° et **Low (Faible)**. Vous pouvez régler la vitesse du ventilateur et la température selon vos critères de confort.

Energy Saver ON (économie d'énergie activée) :

Le mode d'économie d'énergie contribue à réduire la consommation d'électricité. Dans ce mode, il est normal que le ventilateur s'éteigne puis se rallume en alternance. Ce cycle de redémarrage peut se répéter plusieurs fois. En raison des arrêts périodiques du ventilateur, vous remarquerez peut-être une variation de la température et de l'humidité ambiantes.

Energy Saver OFF (économie d'énergie désactivée) :

Lorsque ce mode est désactivé, le ventilateur fonctionne continuellement, et dans le mode Cool (refroidissement), le compresseur s'allume et s'éteint en alternance pour maintenir la température ambiante.

Mode Fan Only (ventilateur uniquement)

Utilisez le mode Fan Only avec une vitesse de ventilateur réglée sur Low, Med ou High pour faire circuler l'air et le filtrer sans le refroidir. Étant donné que le mode Fan Only ne permet pas de refroidissement, le réglage de la

température n'affiche pas. La température de la pièce s'affiche à l'écran.

REMARQUE : La vitesse de ventilateur auto ne peut être utilisée lorsque le climatiseur est sur le mode **Fan Only**.

Auto Fan Speed (vitesse du ventilateur auto)

Réglez la vitesse du ventilateur sur auto pour que la vitesse du ventilateur se règle automatiquement à la vitesse nécessaire à l'obtention des réglages apportant un niveau de confort optimal à la température programmée.

Si la pièce demande un refroidissement supplémentaire, la vitesse du ventilateur augmente automatiquement. Si la pièce demande moins de refroidissement, la vitesse du ventilateur diminue automatiquement.

REMARQUE : La vitesse de ventilateur auto ne peut être utilisée lorsque le climatiseur est sur le mode **Fan Only**.

Fonction de conservation des réglages après une coupure de courant

En cas de panne ou d'interruption de courant, l'appareil redémarre automatiquement après rétablissement de l'alimentation électrique et conserve les derniers réglages utilisés. Si la fonction Delay 1-24hr (Délai de 1

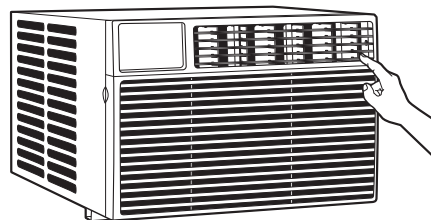
à 24 heures) était utilisée, l'appareil reprend son compte à rebours. Vous aurez peut-être besoin de programmer une nouvelle heure.

A propos des commandes du climatiseur.

Information supplémentaire importante.

Direction de l'Air

Utilisez le levier pour régler la direction de l'air vers la gauche ou vers la droite seulement.



Entretien et nettoyage du climatiseur.

Grille et Boîtier

Eteignez et débranchez le climatiseur avant tout nettoyage.

Pour le nettoyer, utilisez de l'eau et un détergent doux. N'utilisez pas d'eau de Javel ou de nettoyeurs abrasifs.

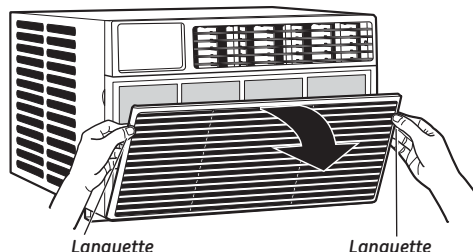
Filtre à Air

Le filtre à air derrière la grille frontale doit être vérifié et nettoyé au bout de 30 jours de fonctionnement ou plus souvent si nécessaire.

Pour retirer :

Ouvrez la grille d'entrée en tirant vers le bas sur les languettes des coins supérieurs de la grille d'entrée jusqu'à ce que la grille soit dans une position à 45 degrés. Retirez le filtre.

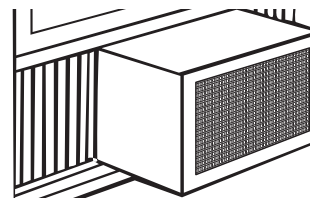
Nettoyez le filtre avec de l'eau savonneuse tiède. Rincez le filtre et laissez-le sécher avant de le remettre dans le climatiseur. Ne nettoyez pas votre filtre au lave-vaisselle.



⚠ MISE EN GARDE: NE faites PAS fonctionner le climatiseur sans le filtre sous peine de le boucher avec de la poussière et de la charpie et de réduire son efficacité

Serpentins Extérieurs

Les serpentins situés du côté extérieur du climatiseur doivent être régulièrement vérifiés. S'ils sont obstrués par des poussières ou de la suie, il est possible de les faire nettoyer par des professionnels.



Comment Insérer les Piles dans la Télécommande

- 1 Retirez le couvercle du logement des piles en le faisant glisser dans le sens indiqué par la flèche.
- 2 Insérez les nouvelles piles en vous assurant que les pôles (+) et (-) de la pile sont orientés dans la bonne direction.
- 3 Remettez le couvercle en le faisant glisser.

REMARQUES :

- Utilisez 2 piles alcalines AAA d'1,5 Volt. N'utilisez pas de piles rechargeables.
- Retirez les piles de la télécommande si vous prévoyez de ne pas utiliser votre climatiseur pendant un certain temps.
- Ne mélangez pas des piles neuves avec des piles usées. Ne mélangez pas ensemble les piles alcalines, standard (carbone-zinc) ou rechargeables (ni-cad, ni-mh, etc).

Instructions de montage

Climatiseur

? Questions? Composez le 800.GE.CARES (800.432.2737) ou visitez notre site web à : www.GEAppliances.com



AVANT DE COMMENCER

Lisez ces instructions entièrement et attentivement.

- **IMPORTANT** – Conservez ces instructions pour l'inspecteur électrique local.
- **IMPORTANT** – Respectez tous les codes et règlements en vigueur.
- **Remarque pour l'installateur** – Assurez-vous de remettre ces instructions au client.
- **Remarque pour le client** – Conservez ces instructions pour toute référence future.
- **Niveau de compétence** – L'installation de cet appareil demande des connaissances de base en mécanique.
- **Délai d'exécution** – Environ 1 heure
- Nous recommandons que l'installation de ce produit soit effectuée par deux personnes.
- L'installateur est responsable de l'installation correcte de l'appareil.
- La panne de l'appareil due à une mauvaise installation n'est pas couverte par la garantie.
- Vous **DEVEZ** utiliser toutes les pièces fournies et suivre la procédure d'installation du climatiseur décrite dans cette notice.

EXIGENCES ÉLECTRIQUES



Certains modèles nécessitent une prise mise à la terre de 115/120 Volts AC, 60 Hz, protégée par un fusible à action différée ou par un disjoncteur.

La fiche triphasée avec terre réduit le risque de choc électrique. Si la prise murale que vous envisagez d'utiliser est biphasée, vous avez la responsabilité et l'obligation de la remplacer par une prise triphasée correctement mise à la terre.



Certains modèles nécessitent une prise mise à la terre de 230/208 Volts AC, protégée par un fusible à action différée ou par un disjoncteur.



Ces modèles doivent être installés sur leur propre circuit dérivé pour éviter de surcharger les circuits électriques du domicile qui peut occasionner un risque d'incendie par surchauffe des câbles.

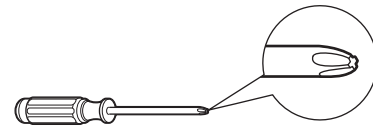
MISE EN GARDE:

Ne coupez pas ou n'enlevez pas, sous aucun prétexte, la troisième broche de mise à la terre du cordon d'alimentation.

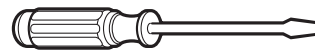
Ne changez pas la fiche du cordon d'alimentation du climatiseur.

Un câblage en aluminium du domicile peut occasionner des problèmes particuliers—consultez un électricien qualifié.

OUTILLAGE NÉCESSAIRES



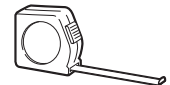
Tournevis cruciforme Phillips



Tournevis à tête plate



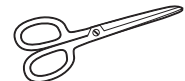
Crayon



Règle ou mètre



Niveau

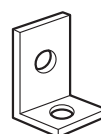
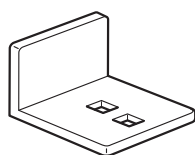
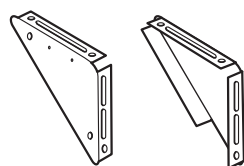
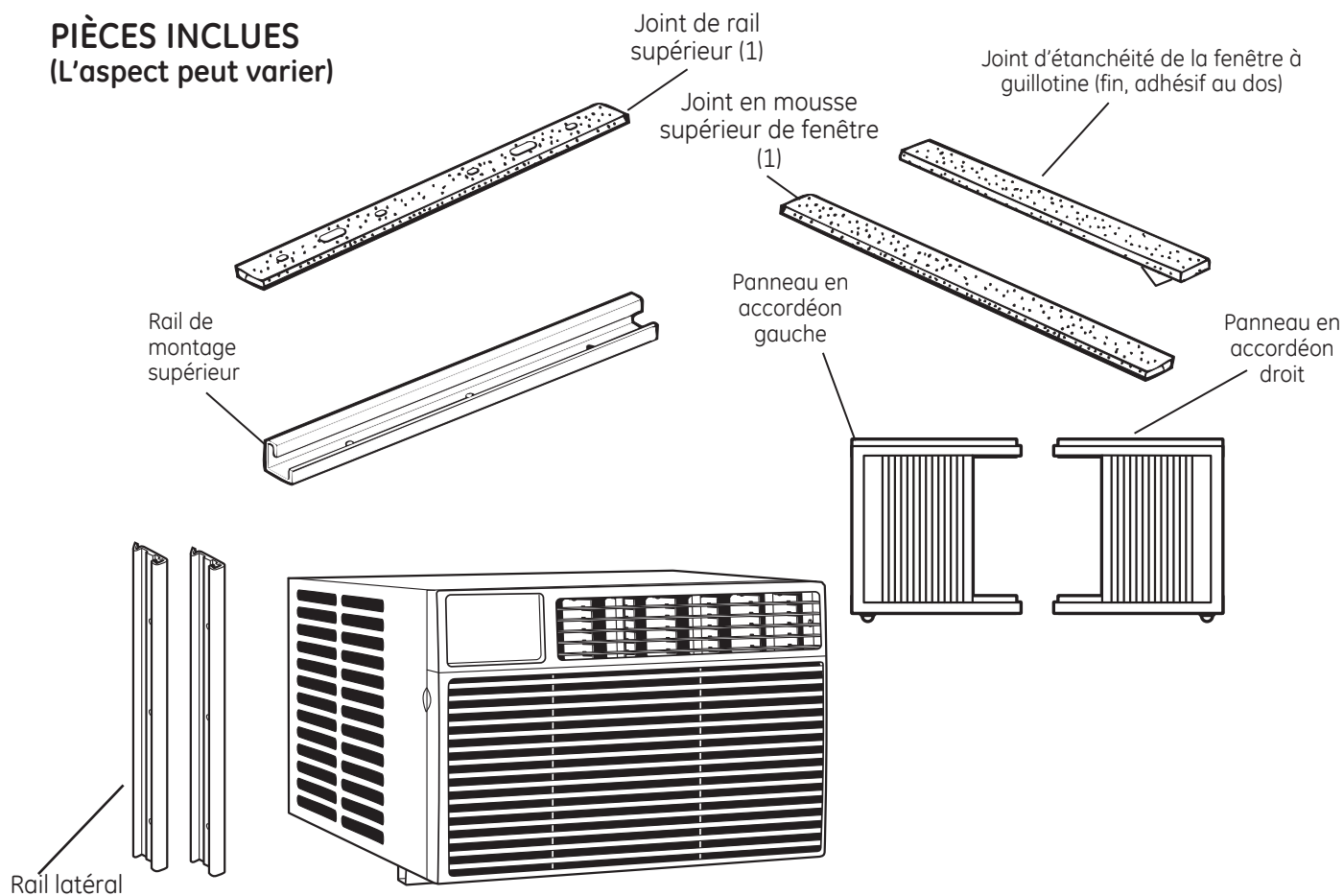


Ciseaux ou couteau

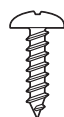
Le cordon d'alimentation est équipé d'un dispositif d'interruption du courant. Un bouton d'essai et de réenclenchement est fourni sur le boîtier de la prise. Vous devez tester le mécanisme régulièrement en appuyant d'abord sur le bouton **TEST (essai)** puis sur le bouton **RESET (réenclenchement)** lorsque l'appareil est branché. Si le bouton **TEST (essai)** ne bascule pas ou si le bouton **RESET (réenclenchement)** ne reste pas enclenché, cessez d'utiliser votre climatiseur et appelez un technicien de service qualifié.

Instructions de montage

PIÈCES INCLUES (L'aspect peut varier)



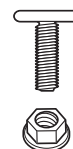
Type A vis (10)



Type C vis (5)



Boulon de type E avec 2 écrous (4)

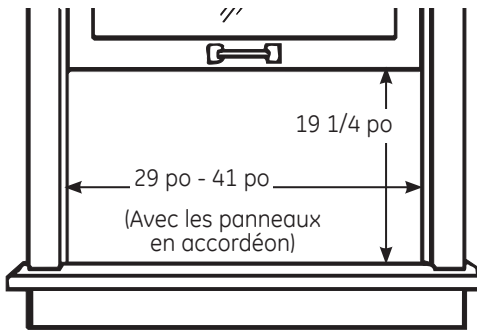


Boulon de type E avec 2 écrous (2)

Instructions de montage

1 INSTRUCTION RELATIVE À LA FENÊTRE

- Ces instructions sont valables pour une fenêtre standard à guillotine à deux châssis mobiles. Vous devrez modifier les instructions pour les autres types de fenêtres.
- Toute la ferrure de montage doit être solidement fixée au bois, à la maçonnerie ou au métal.
- La prise d'alimentation électrique doit se trouver à portée du cordon d'alimentation.
- Suivez les dimensions indiquées pour votre modèle dans le tableau et sur le croquis.



2 INSTRUCTIONS RELATIVE À LA CONTRE-FENÊTRE

Le cadre de la contre-fenêtre empêche le climatiseur de pencher vers l'extérieur, et donc de se drainer correctement. Pour régler ce problème, fixez un morceau de bois au rebord de la fenêtre.

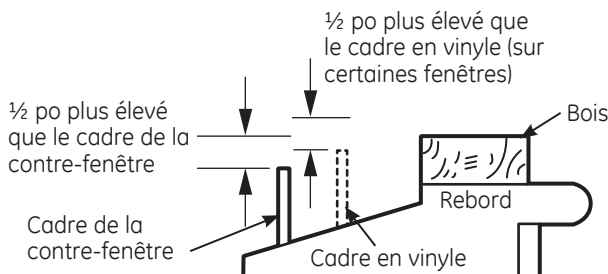
MORCEAU DE BOIS

LARGEUR: 2 po

LONGUEUR: Suffisamment long pour se loger à l'intérieur du cadre de la fenêtre.

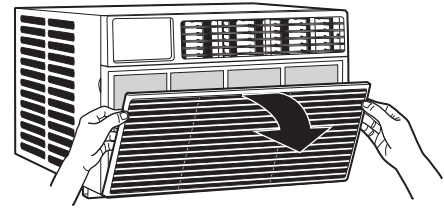
ÉPAISSEUR: Pour déterminer l'épaisseur, placez un morceau de bois sur le rebord de la fenêtre de façon à ce que le morceau de bois soit $\frac{1}{2}$ po plus élevé que le dessus du cadre de la contre-fenêtre ou du cadre en vinyle.

Fixez solidement à l'aide de vis ou de clous fournis par l'installateur.

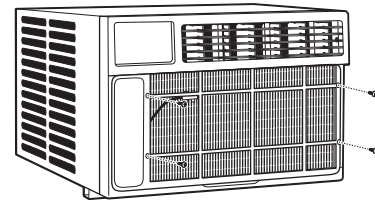


3 PRÉPARATION DU CLIMATISEUR

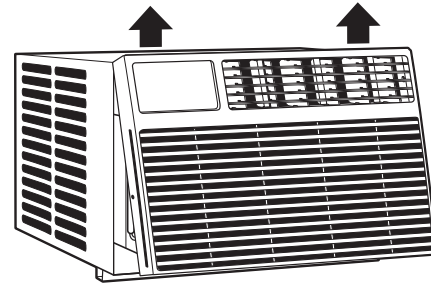
- A** Tirez sur le panneau avant et retirez le filtre. Retirez le panneau avant en le soulevant incliné.



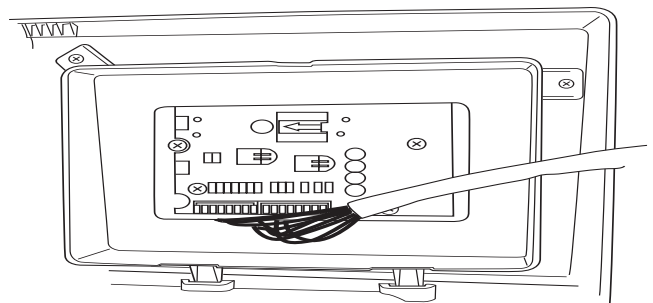
- B** Retirez les quatre vis avant. Mettez-les de côté pour la remise en place du capot avant.



- C** Attrapez les deux coins inférieurs de la grille tout en appuyant sur les côtés du logement avec le bout des doigts. Tirez vers vous pour libérer la grille puis sortez-la en levant. **REMARQUE :** Ne tirez pas le bord inférieur vers vous de plus de 3 po ou vous risquez d'endommager les languettes de la grille.



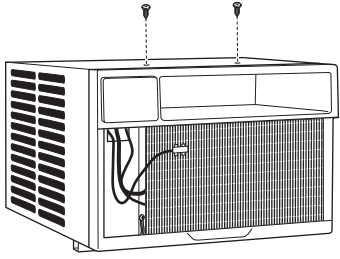
- D** Lorsque la grille frontale est retirée, le panneau de commande est toujours raccordé au faisceau de fils. Tournez la grille de façon à voir sa face arrière. Retirez les 2 vis pour séparer le boîtier du panneau de commande de la grille. **REMARQUE :** Veillez à conserver ces vis. Elles seront nécessaires dans une étape ultérieure de l'installation.



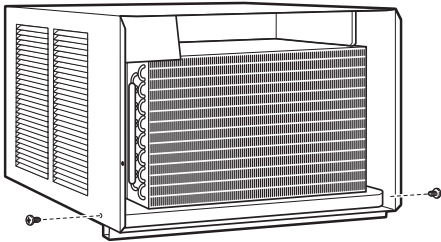
Instructions de montage

3 PRÉPARATION DU CLIMATISEUR (suite)

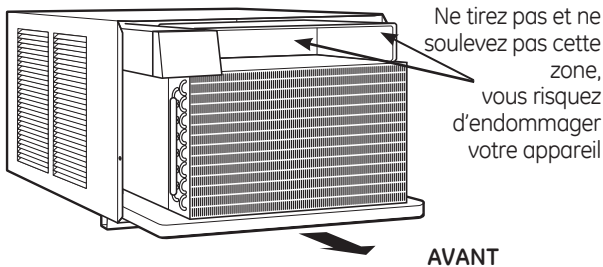
- E** Retirez les vis d'expédition sur le dessus et les côtés du cadre.



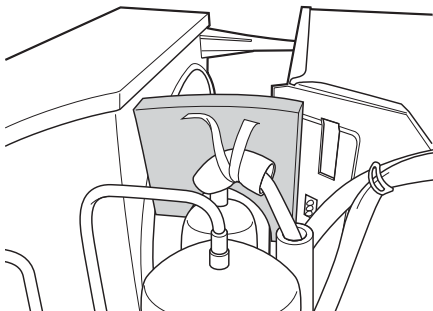
- F** Retirez les vis de chaque côté du logement du climatiseur. Mettez-les dans un endroit sûr.
NOTE : Veillez à conserver ces vis. Elles seront nécessaires dans une étape ultérieure de l'installation.



- G** Retirez et mettez de côté la vis de mise à la terre. Sortez le climatiseur de son logement en le faisant glisser et en attrapant la poignée du conteneur de fond et en tirant vers vous tout en maintenant le logement. Ne tirez pas et ne soulevez pas la zone d'évacuation en mousse de polystyrène.

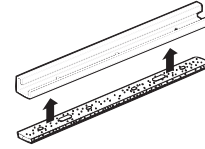


- H** L'appareil peut présenter des matériaux d'emballage internes. Ces matériaux d'emballage doivent être retirés avant d'installer le climatiseur dans l'enceinte.



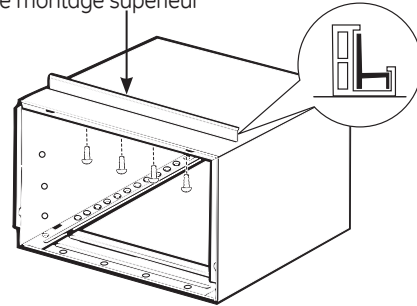
4 PRÉPARATION DU LOGEMENT

- A** Fixez le joint de rail supérieur au dessous du rail supérieur.

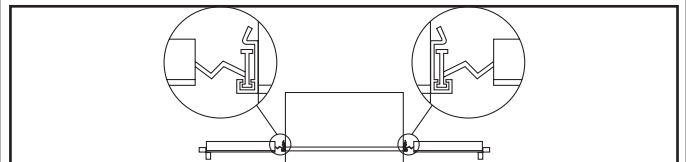
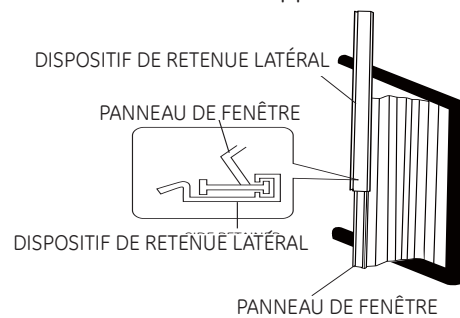


- B** Installez le rail de montage supérieur avec 4 vis de type B de l'intérieur du logement. Appuyez fermement pour enfoncer les vis dans le joint et à travers le rail de montage supérieur.

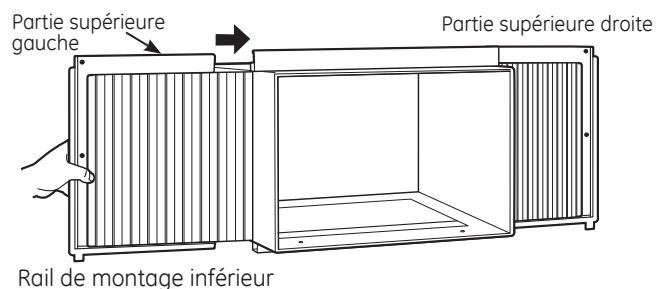
Rail de montage supérieur



- C** Glissez chaque dispositif de retenue latéral sur le bord de chaque panneau en accordéon. L'illustration indique l'orientation de chaque panneau en accordéon et chaque dispositif de retenue latéral par rapport au capot depuis une vue de dessus de l'appareil.



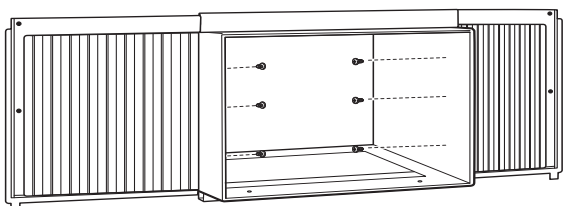
- D** Glissez les panneaux en accordéon gauche et droit dans les rails de montage supérieur et inférieur.



Instructions de montage

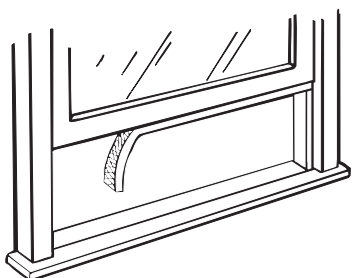
4 PRÉPARATION DU LOGEMENT (suite)

- E** Fixer les dispositifs de retenue latéraux sur le capot à l'aide de 6 vis de type A.



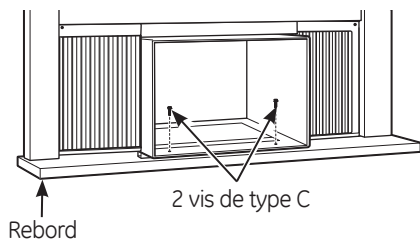
5 PRÉPARER LA FENÊTRE ET POSER LE CAPOT

- A** Découpez le joint de la fenêtre à guillotine à la longueur adéquate. Décollez la pellicule protectrice et collez le joint sur le dessous du cadre de la fenêtre.



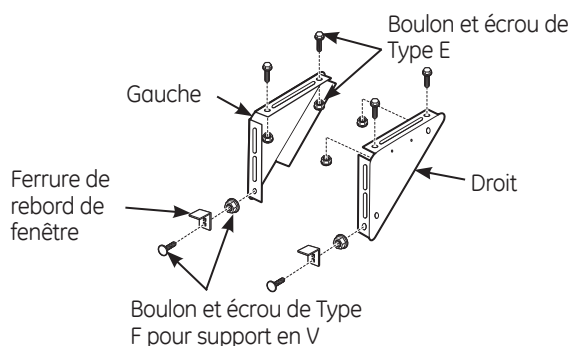
- B** Ouvrez la fenêtre et marquez l'axe central du rebord de la fenêtre.

- C** Faites délicatement glisser le logement dans la fenêtre et centrez-le. Abaissez la fenêtre derrière le rail de montage supérieur. Tirez le bas du logement vers l'avant de façon à ce que le rail de montage inférieur soit plaqué contre l'arrière du rebord de la fenêtre. Fixez le logement au rebord de la fenêtre en utilisant 2 vis de type C pour un cadre de bois ou 2 vis de type C avec les ferrures de verrouillage de la fenêtre pour les autres types de fenêtres. Percez des trous de guidage si nécessaire.

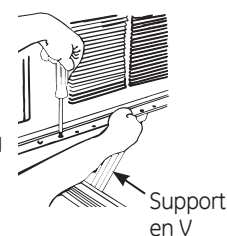


5 PRÉPARER LA FENÊTRE ET POSER LE CAPOT (SUITE)

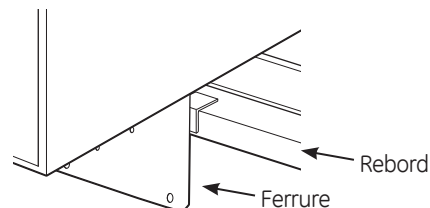
- D** Monter le support en V et la ferrure du support en V à l'aide d'un écrou et d'un boulon de Type F



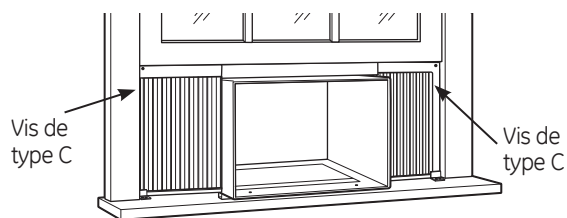
- E** Positionnez les supports en V sur le fond du logement pour qu'ils soient proches du mur extérieur. Fixez les supports en V sur le fond du logement, de chaque côté, avec des boulons de type F, 2 pour chaque support.



- F** Réglez les ferrures de rebord de fenêtre pour qu'elles reposent sur le rebord.



- G** Etirez les panneaux en accordéons gauche et droit jusqu'au cadre vertical de la fenêtre à guillotine. Percez des trous de guidage et fixez les coins supérieurs et inférieurs à l'aide de 2 vis de type C.

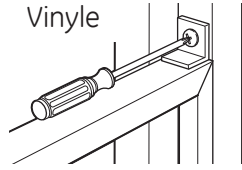


Instructions de montage

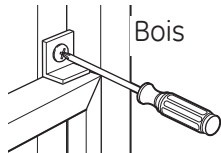
5 PRÉPARER LA FENÊTRE ET POSER LE CAPOT (suite)

H **▲ MISE EN GARDE:**

Pour prévenir la verre brisé dans les fenêtres, sur le vinyle ou d'autres fenêtres pareillement construites, attachez une ferrure de verrouillage de la fenêtre à la côté du fenêtre.



Fixez la ferrure de verrouillage de la fenêtre à l'aide d'un vis de type C.



Cette unité contient deux ferrures de verrouillage de fenêtre.

I Découpez le joint d'étanchéité supérieur en mousse à la largeur de la fenêtre.

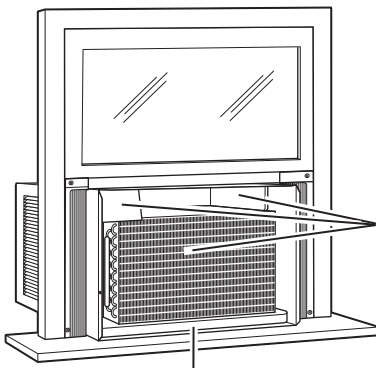
J Insérez la mousse entre la vitre et la fenêtre pour empêcher l'air et les insectes de pénétrer dans la pièce.



NOTE : Si le joint d'étanchéité fourni ne s'adapte pas à votre fenêtre, procurez-vous localement l'article approprié afin d'obtenir une étanchéité adéquate de l'installation.

6 INSTALLATION DU CLIMATISEUR DANS SON LOGEMENT

A Faites glisser le climatiseur dans le logement par le conteneur du fond. Ne poussez pas sur les commandes, sur le boîtier en mousse de polystyrène pour la sortie d'air ni sur les serpentins à ailettes. Assurez-vous que le climatiseur est correctement positionné.

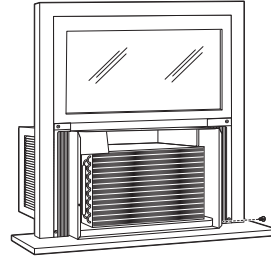


N'appuyez pas sur ces zones, vous pourriez endommager votre appareil

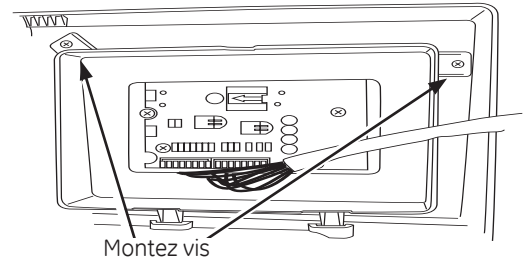
Conteneur de fond

6 INSTALLATION DU CLIMATISEUR DANS SON LOGEMENT (SUITE)

B Remettez en place les deux vis de mise à la terre retirées plus tôt, une de chaque côté du logement. **IMPORTANT :** Les vis de mise à la terre doivent être remises en place pour assurer une mise à la terre adéquate

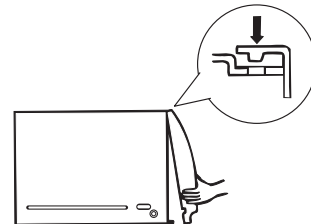


C Montez de nouveau la commande sur le boîtier du panneau en remettant en place les 2 vis ôtées plus tôt.

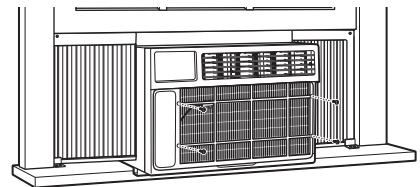


Montez vis

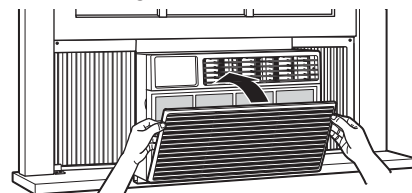
D Fixez la grille frontale en insérant les languettes de la grille dans les fentes situées dans la partie supérieure avant du logement. Poussez sur la grille.



E Replacer les vis.



F Poser le filtre et la grille frontale.



G Brancher le climatiseur.

Instructions de montage pour une installation à travers un mur—En option

Le logement peut être installé à travers un mur dans une habitation existante ou neuve.

Veillez lire entièrement ces instructions, puis les suivre étape par étape.

REMARQUE : Excepté pour les supports en V (fournis), veuillez obtenir tous les matériaux localement pour l'installation du climatiseur à travers un mur.

1 IMPORTANT

Une installation à travers un mur n'est pas appropriée si une ou plusieurs des persiennes sur le côté ou sur le dessus sont obstruées par le mur.

Toutes les persiennes sur le côté ou sur le dessus doivent dépasser du côté extérieur du mur.

Le côté intérieur du logement doit dépasser suffisamment dans la pièce pour équilibrer l'appareil.

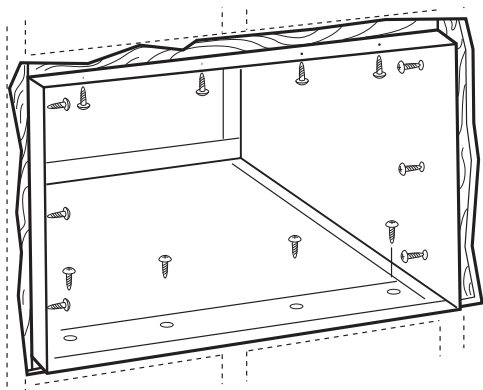
Le logement doit être installé de niveau de droite à gauche et légèrement penché de l'avant vers l'arrière. Utilisez un niveau, environ 1/2 bulle donnera la pente correcte vers l'extérieur.

Une cornière de linteau est nécessaire pour maintenir les briques ou les blocs au-dessus de l'ouverture.

Un solin est nécessaire et doit se prolonger le long de l'ouverture pour éviter toute fuite vers l'intérieur du mur.

A Retirez le climatiseur de son logement. Pour des instructions particulières, veuillez vous référer aux Instructions de Montage dans une fenêtre.

B Assurez-vous qu'une prise murale se trouve à proximité de l'ouverture ou installez-en une.



C Positionnez le logement dans l'ouverture dans le mur et placez les bandes de maintien en bois entre le bas du logement et le solin des deux côtés du rail inférieur. Elles doivent être de la même hauteur que le rail inférieur et de la même longueur que l'ouverture dans le mur.

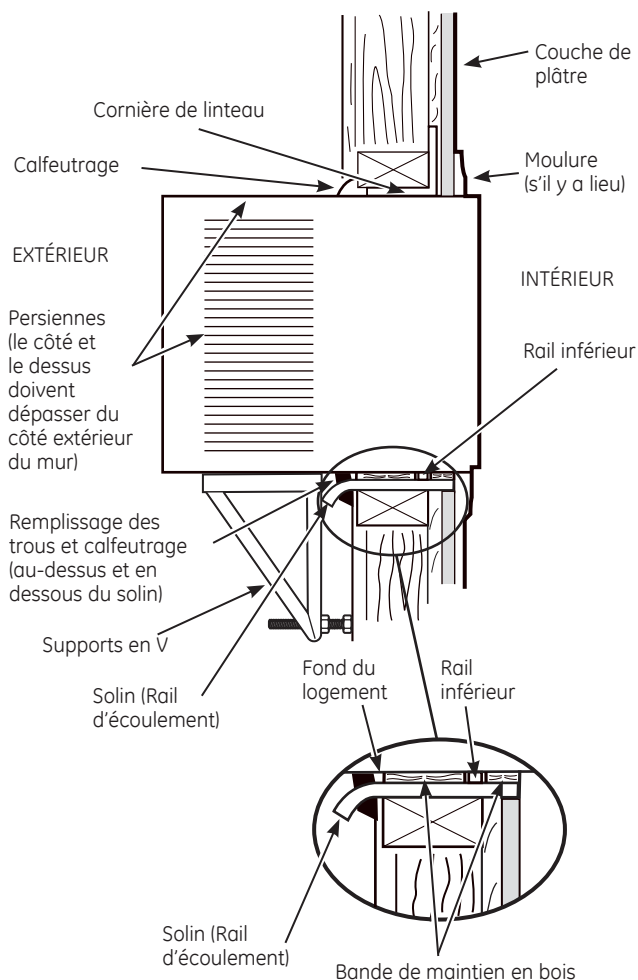
1 IMPORTANT (suite)

Fixez le logement à l'aide de 14 vis à bois ancrées d'au moins un pouce dans la structure du mur.

REMARQUE : Si nécessaire, percez des trous de guidage pour permettre une installation correcte. Si le cadre est trop grand, utilisez des cales pour éviter toute distorsion.

2 FINITION DE L'OUVERTURE DANS LE MUR

A Calfeutrez les quatre côtés du côté extérieur du logement pour éviter que l'humidité ne pénètre par le mur intérieur. L'utilisation d'un solin (rail d'écoulement) permettra davantage d'éviter que l'eau ne s'écoule dans le mur et le long du mur extérieur.



B Placez le climatiseur dans le logement. Pour des instructions particulières, veuillez vous référer aux Instructions de Montage dans une fenêtre.

Avant d'appeler le service . . .

Problème	Causes possibles	Que faire
Le climatiseur ne se met pas en marche	Le climatiseur est débranché.	• Assurez-vous que la fiche du climatiseur soit bien branchée dans la prise murale.
	Le fusible a sauté/ le disjoncteur est ouvert.	• Vérifiez la boîte à fusible/à disjoncteurs et remplacez le fusible ou rebranchez le disjoncteur.
	Il y a une panne de courant.	• S'il se produit une panne de courant, débranchez le climatiseur en le mettant en position OFF (arrêt). Quand le courant revient, attendez 3 minutes avant de remettre en marche le climatiseur, pour éviter de déclencher la surcharge du compresseur.
	Le mécanisme d'interruption de courant est déclenché.	• Appuyez sur le bouton RESET (remise en marche) situé sur la fiche du cordon électrique. • Si le bouton RESET ne reste pas enfoncé, arrêtez le climatiseur d'air et appelez un technicien qualifié.
Le climatiseur ne refroidit pas autant qu'il le devrait	La circulation d'air est bloquée.	• Assurez-vous qu'il n'y a pas de rideau, de store ou de meuble qui bloque le devant du climatiseur.
	Le filtre à air est sale.	• Nettoyez le filtre au moins tous les 30 jours. Consulter la section Entretien et nettoyage.
	La chambre était chaude.	• Après avoir mis en marche le climatiseur, attendez que la chambre se refroidisse.
	L'air froid s'échappe de la chambre.	• Vérifiez les grilles à registre de plancher et les reprises d'air froid.
	Les serpentins sont gelés.	• Consultez "Le climatiseur gèle" ci-dessous.
Le climatiseur gèle	La glace bloque la circulation d'air et empêche le climatiseur de refroidir la chambre.	• Réglez les commandes sur High Fan (vitesse du ventilateur élevée) ou High Cool (fort refroidissement) et réglez le thermostat sur une température plus élevée.
De l'eau coule à l'extérieur	Il fait très chaud et humide.	• C'est normal.
De l'eau coule à l'intérieur	Le climatiseur n'est pas incliné vers l'extérieur.	• Pour obtenir une bonne évacuation de l'eau, assurez-vous que le climatiseur soit légèrement incliné de l'avant du boîtier vers l'arrière.
L'eau s'accumule dans le plateau du fond	L'humidité est extraite de l'air de la chambre et passe dans le plateau du fond.	• C'est normal pendant une période courte dans des régions peu humides; normal pendant des périodes plus longues dans des régions très humides.

Bruits normaux de fonctionnement

- Vous pouvez entendre un cliquetis dû à de l'eau qui est absorbée et est projetée contre le condensateur les jours de pluie où quand il y a beaucoup d'humidité. Cette caractéristique diminue l'humidité et améliore le rendement.
- Vous pouvez entendre le claquement du thermostat quand le compresseur se met en marche et s'arrête.
- De l'eau s'accumule dans le plateau du bas pendant les périodes de grande humidité ou s'il pleut. Cette eau peut déborder et couler de l'appareil du côté extérieur.
- Le ventilateur peut tourner même quand le compresseur ne fonctionne pas.

Garantie du conditionneur d'air—garantie limitée d'un an.



Tout le service en vertu de la garantie est offert par nos centres de service d'usine ou par un technicien autorisé de Customer Care®. Pour programmer la visite d'un technicien, consultez notre site ge.com, ou composez le 800.GE.CARES (800.432.2737). Veuillez fournir le numéro de série et le numéro de modèle lorsque vous appelez pour obtenir le service.

Agrafez le reçu d'achat ici. Pour obtenir le service sous garantie, vous devrez fournir la preuve de l'achat original.

Pour la période de : Nous remplacerons :

Un an

À partir de la date d'achat original

Toute pièce du conditionneur qui ne fonctionne pas à cause d'un vice de matériau ou de main-d'œuvre. Pendant cette **garantie limitée d'un an**, nous fournirons également, **gratuitement**, toute la main-d'œuvre et le service connexe nécessaires pour remplacer la pièce défectueuse.

Ce qui n'est pas couvert :

- Les déplacements de service à votre maison pour vous apprendre à utiliser le produit.
- Un montage, une livraison ou un entretien déficient. Si vous avez un problème de montage ou si le conditionneur n'a pas la bonne capacité de refroidissement pour son usage prévu, appelez votre revendeur ou votre installateur. Vous êtes responsable de fournir une installation de raccordement électrique convenable.
- Les pannes occasionnées par des modifications au produit ou une utilisation non raisonnable, en particulier une absence d'entretien raisonnable et nécessaire.
- Dans les emplacements commerciaux, la main-d'œuvre nécessaire pour déménager l'appareil jusqu'à un emplacement où il est accessible par un technicien particulier.
- Le remplacement des fusibles de la maison ou la réactivation des disjoncteurs.
- Les pannes occasionnées par la corrosion sur les modèles qui ne sont pas protégés contre la corrosion.
- Les dommages occasionnés par un mauvais voltage de l'alimentation électrique, un accident, un incendie, une inondation ou une calamité naturelle.
- Les dommages indirects et consécutifs à la propriété personnelle occasionnés par des vices possibles de ce conditionneur.
- Les dommages occasionnés par la livraison.

EXCLUSION DE GARANTIES IMPLICITES – Votre seul et unique recours est la réparation du produit selon les dispositions de cette Garantie limitée. Toutes les garanties implicites, incluant les garanties de commercialité et d'adéquation à un usage spécifique, sont limitées à une année ou à la période la plus courte autorisée par la législation.

Cette garantie est offerte à l'acheteur initial et à tout propriétaire subséquent d'un produit acheté aux États-Unis à des fins d'usage domestique. Si le produit est installé dans une région où ne se trouve aucun réparateur autorisé GE, vous devrez peut-être assumer les frais de transport ou apporter/expédier le produit à un centre de service autorisé GE.

Certaines provinces ne permettent pas l'exclusion ou la limitation des dommages indirects ou consécutifs et, par conséquent, l'exclusion ci-dessus peut ne pas s'appliquer à vous. Cette garantie vous donne des droits juridiques particuliers et vous pouvez également avoir d'autres droits qui varient d'une province à l'autre. Pour connaître vos droits juridiques dans votre province, consultez votre bureau local ou provincial de protection des consommateurs.

Garant : General Electric Company. Louisville, KY 40225

Assistance à la clientèle.



Site Web des appareils électroménagers GE *GEAppliances.com*

Vous avez une question ou vous avez besoin d'aide pour votre appareil électroménager?

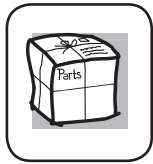
Contactez-nous par Internet au site web des appareils électroménagers GE 24 heures par jour, tous les jours de l'année ! Par commodité et pour accélérer le service, vous pouvez maintenant télécharger les manuels du propriétaire ou même commander des pièces en ligne.



Studio de conception réaliste

GEAppliances.com

GE appuie la notion de design universel — des produits, des services et des environnements qui peuvent être utilisés par des personnes de tous âges, tailles et capacités. Nous reconnaissons le besoin de concevoir des produits pour un vaste éventail d'aptitudes et déficiences mentales et physiques. Visitez notre site Web aujourd'hui pour obtenir plus de renseignements sur l'application du design universel par GE, y compris des conceptions de cuisine pour les personnes handicapées. Dans le cas de personnes malentendantes, veuillez composer le 800.TDD.GEAC (800.833.4322).



Pièces et accessoires

GEApplianceParts.com

Les personnes ayant les compétences requises pour réparer elles-mêmes leurs appareils peuvent recevoir directement à la maison des pièces ou accessoires (les cartes VISA, MasterCard et Discover sont acceptées). Commandez en ligne dès aujourd'hui, 24 heures sur 24 tous les jours, ou en téléphonant au 800.626.2002 durant les heures normales de bureau.

Les instructions contenues dans le présent manuel comportent des procédures que tout utilisateur peut effectuer. GE ne recommande nullement la réparation du climatiseur par un non spécialiste. Nous vous conseillons fortement de vous abstenir de réparer le climatiseur vous-même.



Contactez-nous

GEAppliances.com

Si vous n'êtes pas satisfait du service après-vente de GE, communiquez avec nous via notre site Web en fournissant tous les détails, y compris votre numéro de téléphone, ou écrivez à :

Directeur, Relations avec les consommateurs
GE Appliances, Appliance Park
Louisville, KY 40225

Instrucciones de seguridad 34-35

Instrucciones de operación

Controlé 36-38

Cuidado y limpieza

Bobinas para exteriores 38

Filtro de aire 38

Instrucciones de instalación 39-45

Solucionar problemas 46

Sonidos de operación normales 46

Servicio al consumidor

Garantía 50

Servicio al consumidor 51

AEH24*

Producto etiquetado *ENERGY STAR®



Como socio de ENERGY STAR®,
GE ha confirmado que este
producto cumple las directrices
de ENERGY STAR® relativas al
rendimiento energético.

Escriba los números de modelo
y serie aquí:

de Modelo _____

de Serie _____

Puede encontrar estos números
en una etiqueta en el costado
del acondicionador de aire.

INFORMACIÓN IMPORTANTE DE SEGURIDAD.

LEA TODAS LAS INSTRUCCIONES ANTES DE USAR.

¡ADVERTENCIA!

Por su seguridad, se debe seguir la información en este manual para minimizar el riesgo de incendios, descargas eléctricas o lesiones personales.



PRECAUCIONES DE SEGURIDAD

- Use este electrodoméstico solamente para el propósito determinado según se describe en el Manual del propietario.
- Este acondicionador de aire debe instalarse correctamente de acuerdo con las Instrucciones de instalación antes de su uso.
- Nunca desenchufe su acondicionador de aire tirando del cable eléctrico. Siempre agarre firmemente el enchufe y tire de él directamente hacia afuera.
- Reemplace inmediatamente todos los cables eléctricos que se hayan pelado o que se hayan dañado de alguna otra manera. Un cable de corriente dañado no debe repararse, sino que debe ser sustituido por uno nuevo que se adquiera del fabricante. No use un cable eléctrico que muestre evidencias de deterioro, o daños de abrasión en su superficie en alguno de sus extremos.
- Apague la unidad y desenchufe su acondicionador de aire antes de limpiar.
- GE no está ni apoya que se le proporcione ningún servicio al acondicionador de aire. Vehementemente recomendamos que usted no intente proporcionar servicio al acondicionador de aire usted mismo.
- Por su seguridad...no almacene ni use materiales combustibles, gasolina u otros vapores o líquidos inflamables en la proximidad de éste o algún otro electrodoméstico.
- Todos los acondicionadores de aire contiene refrigerantes, los que por Ley Federal deben ser removidos antes de desecharlos. Si usted planea deshacerse de algún producto que contenga refrigerantes, póngase en contacto con la compañía que se encarga de recoger su basura para que le indiquen qué hacer.
- Si el receptáculo no coincide con el enchufe, un electricista calificado debe reemplazar el receptáculo.
- Estos sistemas de acondicionadores de aire R410A requieren que los contratistas y técnicos usen herramientas, equipos y estándares de seguridad aprobados para su uso con este refrigerante. NO use equipamiento certificado sólo para refrigerante R22.



CÓMO CONECTAR LA ELECTRICIDAD

Bajo ninguna circunstancia, corte o remueva la tercera púa (tierra) del cable eléctrico. En pos de la seguridad personal, este electrodoméstico debe siempre conectarse a tierra.

NO use un enchufe adaptador con este electrodoméstico.

El cable eléctrico de este electrodoméstico está equipado con un enchufe de tres púas (tierra) que combina con un tomacorriente estándar de tres tomas de pared para minimizar la posibilidad de una descarga eléctrica.

El cable de alimentación incluye un dispositivo para interrupción de corriente. Se incluye un botón de prueba y de reinicio en el dispositivo. El dispositivo debe ponerse a prueba periódicamente: primero se presiona el botón de **TEST (prueba)** y luego **RESET (reinicio)** mientras se encuentra enchufado al tomacorriente. Si el botón **TEST** no se dispara o si el botón **RESET** no queda enganchado, deje de utilizar el acondicionador de aire y comuníquese con un técnico calificado.

Pida a un técnico que inspeccione el tomacorriente y el circuito para cerciorarse de que el tomacorriente está conectado a tierra de la manera apropiada.

Donde exista un tomacorriente de dos tomas, es su responsabilidad y obligación personal hacer que dicho tomacorriente sea reemplazado por uno de tres tomas con conexión a tierra.

El acondicionador de aire debería siempre estar conectado a un tomacorriente individual con su circuito de voltaje correspondiente.

Esto proporciona el mayor rendimiento y además evita que los circuitos del resto de la casa se sobrecarguen, lo cual podría causar incendios por el sobrecalentamiento del cableado.

Ver las Instrucciones de instalación, en la sección **Requisitos Eléctricos** para los requisitos específicos de conexión.

⚠ ¡ADVERTENCIA!



USO DE PROLONGADORES

RIESGO DE INCENDIO. Podría ocasionar lesiones graves o la muerte.

- NO use un prolongador con este Acondicionador de Aire de Ventana.
- NO use protectores contra picos de tensión ni adaptadores para múltiples tomacorrientes con este Acondicionador de Aire de Ventana.



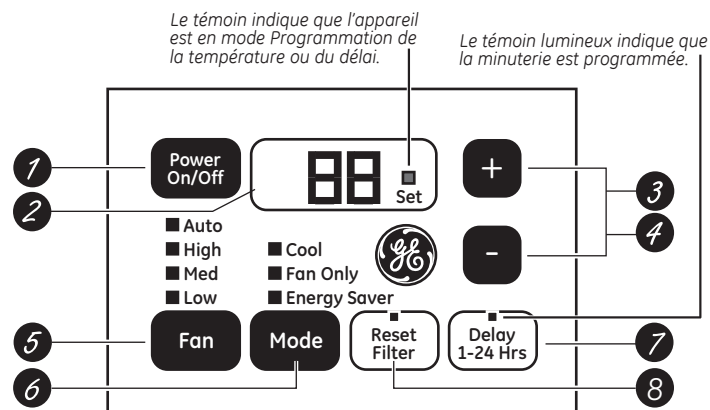
LEA Y SIGA ESTAS INSTRUCCIONES DE SEGURIDAD CUIDADOSAMENTE.

GUARDE ESTAS INSTRUCCIONES

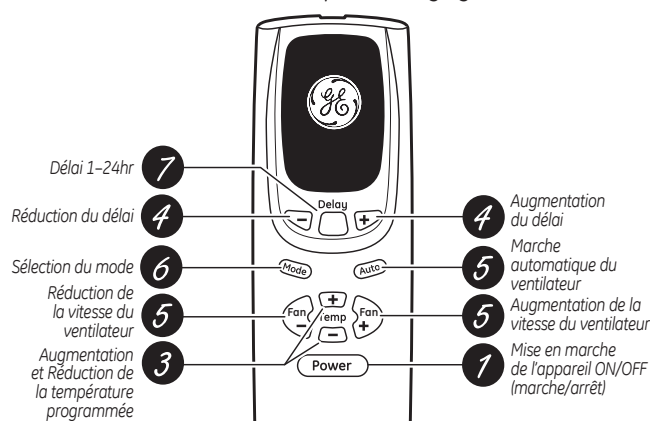
A propos des commandes du climatiseur.

Les fonctions et l'aspect peuvent varier.

Les témoins lumineux à côté des touches à effleurement sur le tableau de commandes du climatiseur indiquent les réglages sélectionnés.



NOTE : L'écran affiche toujours la température de la pièce sauf lorsque vous programmez la température ou la minuterie.



Télécommande

Commandes du Climatiseur

Commandes



- 1 **Touche d'alimentation**
Met le climatiseur en position de marche ou d'arrêt. L'écran affiche la température de la pièce lorsque l'appareil est mis en marche.
- 2 **Affichage**
Affiche la température de la pièce ou le temps restant avant la mise en marche ou l'arrêt de l'appareil. Affiche la température de réglage lors de la programmation de la température pour les modes **Cool (refroidissement)** ou **Energy Saver** (économie d'énergie). Le témoin lumineux **Set** (programmé) s'allume lors du réglage.
- 3 **Touches Temp Increase (Augmentation température) ▲ / Decrease (Réduction de la température) ▼** Sont utilisées pour programmer la température dans les modes **Cool** ou **Energy Saver**. Le témoin lumineux **Set** s'allume lors du réglage.
- 4 **Touches Delay Timer Increase (Augmentation du délai) ▲ (+) / Decrease (Diminution du délai) ▼ (-)**
Chaque fois que vous effleurez les touches **Increase ▲ / Decrease ▼** sur l'appareil ou les touches **Increase + / Decrease -** de la télécommande, vous programmez la durée du délai lors de l'utilisation de la minuterie **Delay 1-24hr** (délai de 1-24h). Le témoin lumineux **Set** s'allume lors du réglage.
- 5 **Touches de vitesse du ventilateur**
Sont utilisées pour régler la vitesse du ventilateur de l'appareil sur **Low (faible)**, **Med (moyenne)**, **High (élevée)** ou **Auto (automatique)**. **REMARQUE :** Sur la télécommande, utilisez les touches **Increase + / Decrease -** pour régler la vitesse du ventilateur sur **Low**, **Med**, ou **High**. Utilisez la touche **Auto** pour allumer le ventilateur en mode **Auto**.

- 6 **Touche Mode**
Est utilisée pour programmer le climatiseur sur les modes **Cool**, **Energy Saver** ou **Fan Only** (ventilateur uniquement).
- 7 **Touches de Délai/ Délai de 1 à 24 heures**
Delay ON (délai de mise en marche)—Lorsque le climatiseur est éteint, il peut être programmé pour démarrer automatiquement dans un délai de 1 à 24 heures à ses réglages précédents (mode, vitesse du ventilateur).
Delay OFF (délai d'arrêt)—Lorsque le climatiseur est en fonctionnement, il peut être programmé pour s'arrêter automatiquement dans un délai de 1 à 24 heures.
Comment le programmer :
Appuyez sur la touche **Delay 1-24hr** (Délai de 1 à 24 heures) de l'appareil ou **Delay pad** (Touches de Délai) de la télécommande. Chaque fois que vous effleurez les touches **Increase ▲ / Decrease ▼** sur l'appareil ou les touches **Increase + / Decrease -** de la télécommande, vous programmez la durée du délai par intervalle de 1 heure. Le témoin lumineux **Set** s'allume lors du réglage.
Pour connaître le temps restant sur la minuterie **Delay 1-24hr**, appuyez sur la touche **Delay 1-24hr** de l'appareil ou **Delay pad** (Touches de Délai) de la télécommande. Utilisez les touches **Increase ▲ / Decrease ▼** sur l'appareil ou les touches **Increase + / Decrease -** de la télécommande pour programmer un nouveau délai si nécessaire.
Pour annuler la minuterie, appuyez sur la touche **Delay 1-24hr** jusqu'à ce que le voyant lumineux sur la touche **Delay 1-24hr** s'éteigne.
- 8 **Réinitialisation du Filtre**
Le témoin lumineux s'allumera au bout d'un cumul de 250 heures de fonctionnement du ventilateur pour rappeler la nécessité de nettoyer le filtre. Appuyez sur **Reset Filter** pour éteindre le témoin et remettre à zéro le temps de fonctionnement cumulé.

Remarque : La lecture de température par défaut s'affiche en degré Fahrenheit (°F). Pour modifier l'affichage en degré Celcius (°C), appuyez simultanément sur les boutons d'augmentation ▲ ou d'abaissement ▼ de la température et maintenez-les enfoncés pendant 3 secondes. Répétez la méthode pour effectuer un retour à l'affichage des degrés Fahrenheit (°F).

Ne faites pas fonctionner votre appareil lorsque les températures extérieures sont en dessous de 0 °C (32 °F).

Ce climatiseur froid seul n'est pas conçu pour fonctionner avec des températures extérieures en dessous de 0 °C (32 °F). Il ne doit pas être utilisé lorsque les températures extérieures sont en dessous de 0°C (32°F).

Télécommande

- Pour vous assurer d'un fonctionnement correct, pointez la télécommande vers le récepteur de signal du climatiseur.
- Assurez-vous qu'aucun obstacle pouvant bloquer le signal ne se trouve entre le climatiseur et la télécommande.
- Le rayon d'action de la télécommande s'étend jusqu'à 6,4 m (20 pieds).
- Assurez-vous que les piles sont récentes et correctement installées dans la télécommande.
- La télécommande renferme un aimant permettant de la fixer sur des surfaces métalliques.

Mode Cool (refroidissement)

Utilisez le mode Cool (refroidissement) avec la vitesse du ventilateur sur **Low (faible), Med (moyenne), High (élevée)** ou Auto (automatique) pour refroidir. Appuyez sur les touches **Temperature Increase (augmentation de la température) ▲ / Decrease (diminution de la température) ▼** pour programmer la température souhaitée entre 18 °C et 30 °C (64 et 86 °F) par incréments de 0,5 °C (1 °F).

Un thermostat électronique permet de maintenir la température de la pièce. Le compresseur se met en marche et s'arrête à intervalles réguliers pour maintenir la température de la pièce à un niveau de confort choisi. Réglez le thermostat à une valeur plus basse et l'air ambiant se refroidira. Réglez le thermostat à une valeur plus élevée et l'air ambiant se réchauffera.

REMARQUE : Si le climatiseur éteint est allumé alors qu'il est programmé sur un réglage Cool ou si vous passez d'un mode Ventilation à un mode de Refroidissement, il faudra environ 3 minutes pour que le compresseur se remette en marche et recommence à refroidir.

Descriptions du Refroidissement

Pour un Refroidissement Normal — Sélectionnez le mode **Cool** avec la vitesse du ventilateur sur **Med** ou **High** et un réglage à une température moyenne.

Pour un Refroidissement Maximal — Sélectionnez le mode **Cool** avec la vitesse du ventilateur sur **High** et un réglage à une température plus basse.

Pour un Refroidissement plus Silencieux ou Durant la Nuit — Sélectionnez le mode **Cool** avec la vitesse du ventilateur sur **Low** et un réglage à une température moyenne.

Mode Energy Saver (économie d'énergie)

Ce mode optimise la puissance de refroidissement de votre climatiseur, vous faisant du même coup économiser de l'énergie. Une fois la température du point de réglage atteinte, le ventilateur s'éteindra par intervalles pour économiser l'énergie. Il s'allumera aussi périodiquement pour faire en sorte que la pleine capacité de refroidissement du système soit utilisée. Il s'agit du mode par défaut de l'appareil. À chaque fois qu'il est mis hors tension, l'appareil redémarrera en mode Économie d'énergie. Cela inclut aussi le mode **Delay (Délai de mise en marche)**. À la première mise sous tension de l'appareil, les réglages de température et du ventilateur indiqueront respectivement 70° et **Low (Faible)**. Vous pouvez régler la vitesse du ventilateur et la température selon vos critères de confort.

Energy Saver ON (économie d'énergie activée) :

Le mode d'économie d'énergie contribue à réduire la consommation d'électricité. Dans ce mode, il est normal que le ventilateur s'éteigne puis se rallume en alternance. Ce cycle de redémarrage peut se répéter plusieurs fois. En raison des arrêts périodiques du ventilateur, vous remarquerez peut-être une variation de la température et de l'humidité ambiantes.

Energy Saver OFF (économie d'énergie désactivée) :

Lorsque ce mode est désactivé, le ventilateur fonctionne continuellement, et dans le mode Cool (refroidissement), le compresseur s'allume et s'éteint en alternance pour maintenir la température ambiante.

Mode Fan Only (ventilateur uniquement)

Utilisez le mode Fan Only avec une vitesse de ventilateur réglée sur Low, Med ou High pour faire circuler l'air et le filtrer sans le refroidir. Étant donné que le mode Fan Only ne permet pas de refroidissement, le réglage de la

température n'affiche pas. La température de la pièce s'affiche à l'écran.

REMARQUE : La vitesse de ventilateur auto ne peut être utilisée lorsque le climatiseur est sur le mode **Fan Only**.

Auto Fan Speed (vitesse du ventilateur auto)

Réglez la vitesse du ventilateur sur auto pour que la vitesse du ventilateur se règle automatiquement à la vitesse nécessaire à l'obtention des réglages apportant un niveau de confort optimal à la température programmée.

Si la pièce demande un refroidissement supplémentaire, la vitesse du ventilateur augmente automatiquement. Si la pièce demande moins de refroidissement, la vitesse du ventilateur diminue automatiquement.

REMARQUE : La vitesse de ventilateur auto ne peut être utilisée lorsque le climatiseur est sur le mode **Fan Only**.

Fonction de conservation des réglages après une coupure de courant

En cas de panne ou d'interruption de courant, l'appareil redémarre automatiquement après rétablissement de l'alimentation électrique et conserve les derniers réglages utilisés. Si la fonction Delay 1-24hr (Délai de 1

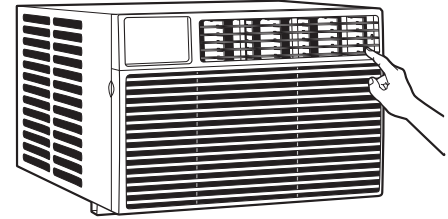
à 24 heures) était utilisée, l'appareil reprend son compte à rebours. Vous aurez peut-être besoin de programmer une nouvelle heure.

Acerca de los controles en el acondicionador de aire.

Información importante adicional.

Dirección del aire

Use la palanca para ajustar la dirección del aire hacia la izquierda y la derecha solamente.



Cuidado y limpieza del acondicionador de aire.

Rejilla y caja

Apague el acondicionador de aire y retire el enchufe del tomacorriente de la pared antes de limpiar.

Para limpiar, use agua y un detergente suave. No use cloro o materiales abrasivos.

Filtro de aire

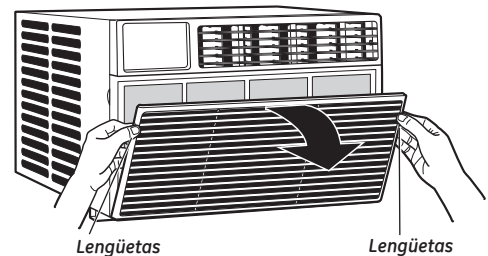
El filtro de aire detrás de la rejilla frontal debe inspeccionarse y limpiarse por lo menos cada 30 días o más a menudo si fuese necesario.

Para retirarlo:

Abra la rejilla de entrada empujando hacia abajo las lengüetas en las esquinas superiores de la rejilla de entrada, hasta que la rejilla se encuentre en una posición de 45°. Retire el filtro.

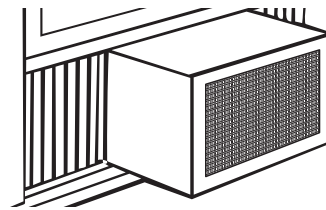
Limpie el filtro con agua tibia y jabón. Enjuáguelo y permita que se seque antes de colocarlo otra vez en su lugar. No lave el filtro en un lavavajillas.

⚠ PRECAUCIÓN: NO OPERE el acondicionador de aire sin el filtro debido a que la suciedad y las pelusas lo obstruirán y reducirán su rendimiento.



Bobinas para exteriores

Se deben inspeccionar con frecuencia las bobinas en el lado exterior del acondicionador de aire. Si las mismas están obstruidas con suciedad u hollín, podrían limpiarse profesionalmente.



Cómo insertar las pilas en el control remoto

- 1 Retire la cubierta de la pila deslizándola de acuerdo con la dirección de la flecha.
- 2 Inserte pilas nuevas cerciorándose de que los polos positivos (+) y negativos (-) están orientados correctamente.
- 3 Coloque la cubierta otra vez deslizándola en su lugar.

NOTAS:

- Use 2 pilas alcalinas "AAA" de 1,5 voltios. No use pilas recargables.
- Retire las pilas del control remoto si no va a usar el sistema por un período prolongado.
- No mezcle baterías nuevas y viejas. No mezcle baterías alcalinas, estándar (carbono-cinc) o recargables (ni-cad, ni-mh, etc).

Instrucciones de instalación

Acondicionador de aire

? ¿Preguntas? Llame 800.GE.CARES (800.432.2737) o visite nuestra página en la red en: GEAppliances.com



ANTES DE INICIAR

Lea estas instrucciones completa y cuidadosamente.

- **IMPORTANTE** – Guarde estas instrucciones para uso del inspector local.
- **IMPORTANTE** – Observe todos los códigos y órdenes de ley.
- **Nota al instalador** – Asegúrese de dejar estas instrucciones con el consumidor.
- **Nota al consumidor** – Conserve estas instrucciones para referencia futura.
- **Nivel de destreza** – La instalación de este aparato requiere de destrezas mecánicas básicas.
- **Tiempo de ejecución** – Aprox. 1 hora
- Recomendamos dos personas para la instalación de este producto.
- La instalación apropiada es la responsabilidad del instalador.
- La falla del producto debido a una instalación inadecuada no está cubierta por la garantía.
- Cuando instale este acondicionador de aire, DEBE usar todas las piezas suministradas y usar procedimientos adecuados de instalación.

⚠ PRECAUCIÓN:

Bajo ninguna circunstancia corte o remueva la tercera púa (conexión a tierra) del cable eléctrico.

No cambie el enchufe en el cable eléctrico de este acondicionador de aire.

Los cables caseros de aluminio podrían presentar problemas especiales. Consulte a un técnico electricista calificado.



REQUISITOS ELÉCTRICOS



Algunos modelos requieren tomacorrientes de 115/120 voltios de corriente alterna y 60 Hz conectados a tierra, protegidos con un fusible de dilatación de tiempo de 15 amperios o un cortacircuitos.

El enchufe de tres púas con conexión a tierra minimiza la posibilidad de descargas eléctricas. Si el tomacorriente de la pared que usted planea usar solamente tiene 2 tomas, es su responsabilidad hacer que un técnico lo reemplace por uno de tres tomas con conexión a tierra.



Algunos modelos requieren 230/208 voltios, de corriente alterna, protegidos por un fusible de dilatación de tiempo

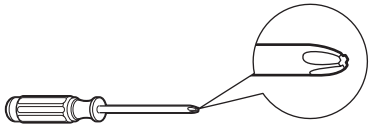


o un cortacircuitos. Estos modelos deberían instalarse en un ramal exclusivo del circuito para un rendimiento más notable y para prevenir sobrecargas en los circuitos de cableados de su casa o apartamento, lo cual podría representar un riesgo de incendio por el sobrecalentamiento de los alambres.

El cable de alimentación incluye un dispositivo para interrupción de corriente. Se incluye un botón de prueba y de reinicio en el dispositivo. El dispositivo debe ponerse a prueba periódicamente: primero se presiona el botón de **TEST (prueba)** y luego **RESET (reinicio)** mientras se encuentra enchufado al tomacorriente. Si el botón **TEST** no se dispara o si el botón **RESET** no queda enganchado, deje de utilizar el acondicionador de aire y comuníquese con un técnico calificado.

Instrucciones de instalación

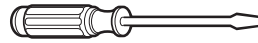
HERRAMIENTAS QUE NECESITARÁ



Un destornillador de estrella



Tijeras o cuchilla



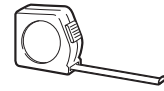
Un destornillador con hoja plana



Nivel



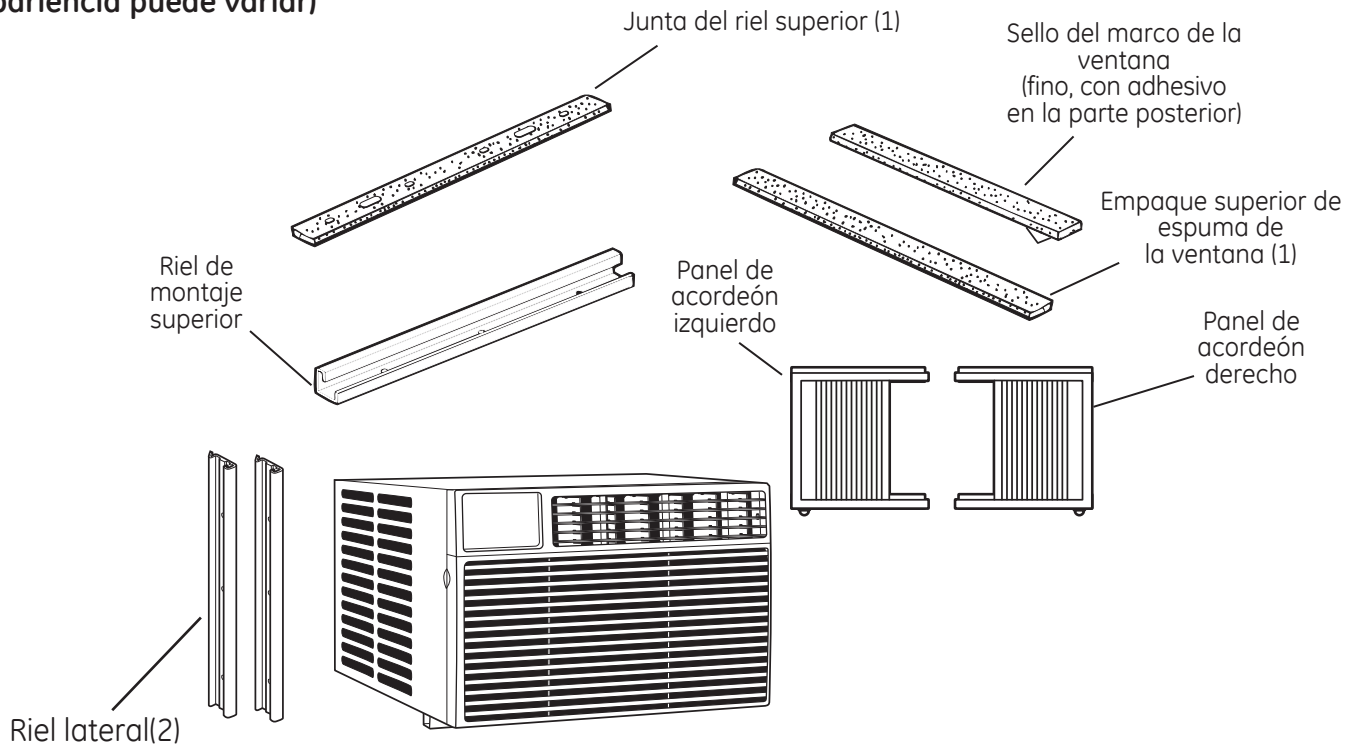
Lápiz



Una regla o cinta métrica

PARTES INCLUIDAS

(Apariencia puede variar)



Junta del riel superior (1)

Sello del marco de la ventana (fino, con adhesivo en la parte posterior)

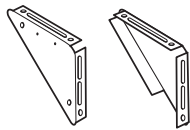
Empaque superior de espuma de la ventana (1)

Panel de acordeón izquierdo

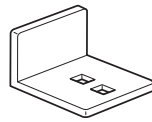
Panel de acordeón derecho

Riel de montaje superior

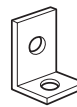
Riel lateral(2)



Soportes en V (2)



Soporte angular para alféizar (2)



Trabas para marcos (1)



Tipo A tornillos (10)



Tipo C tornillos (5)



Perno tipo E con 2 tuercas (4)

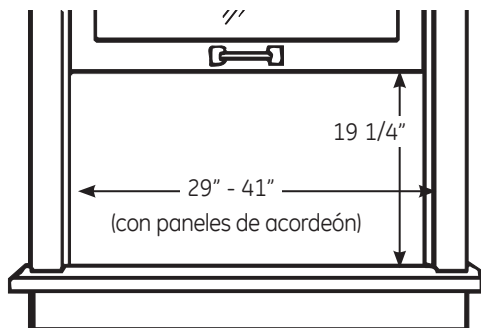


Perno tipo F con 2 tuercas (2)

Instrucciones de instalación

1 REQUISITOS PARA LA VENTANA

- Estas instrucciones son para una ventana estándar de dos pliegues. Usted necesitará modificar el proceso para otros tipos de ventanas.
- Todas las partes de apoyo deben quedar totalmente aseguradas a algún metal, mampostería o a la madera.
- El tomacorriente eléctrico debe estar al alcance del cable eléctrico del acondicionador de aire.
- Siga las dimensiones de la tabla y la ilustración según su modelo.



2 REQUISITOS DE UNA VENTANA DE TORMENTAS

Un marco de ventana de tormentas no permitirá que el acondicionador de aire se incline hacia el exterior y evitará que drene apropiadamente. Para solucionar este problema, adhiera un pedazo de madera al umbral.

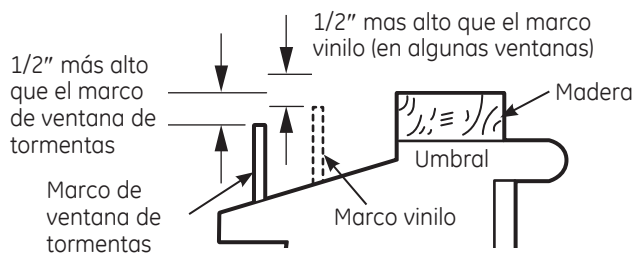
PEDAZOS DE MADERA

ANCHO: 2"

LONGITUD: Lo suficientemente largo como para ajustar en el interior del marco de la ventana.

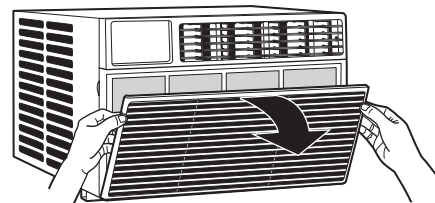
GRUESO: Para determinar el grueso, coloque un pedazo de madera en el umbral para hacerla 1/2" más alta que la parte superior del marco de la ventana de tormentas o del marco vinilo.

Péguelo firmemente con clavos o con tornillos proporcionados por el instalador.

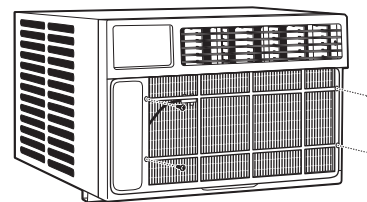


3 PREPARE EL ACONDICIONADOR DE AIRE

- A** Baje el panel frontal y quite el filtro. Quite el panel frontal levantándolo hacia arriba en un ángulo.

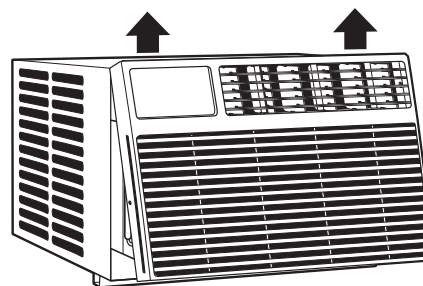


- B** Quite los cuatro tornillos frontales. Consérvelos para volver a instalar la carcasa frontal.



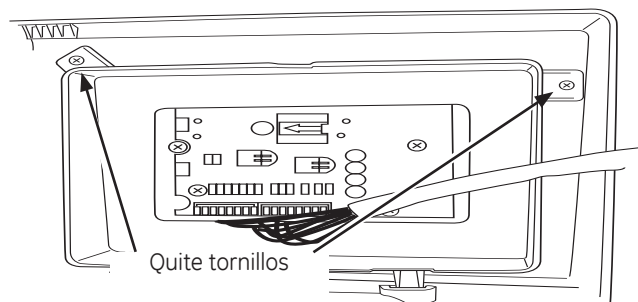
- C** Tome las esquinas inferiores de la parrilla mientras presiona hacia adentro sobre los costados de la carcasa con sus dedos. Tire hacia afuera para liberar y levántelo.

NOTA: No tire del borde inferior hacia usted más de 3" porque puede dañar las lengüetas de la parrilla.



FRENTE

- D** Cuando se retire la parrilla del frente, el panel de control aún se encontrará adjunto por un arnés. Gire la parrilla de modo que pueda ver la parte trasera de la misma. Retire los 2 tornillos para separar el espacio del panel de control de la parrilla. **NOTA:** Asegúrese de guardar estos tornillos. Los necesitará más adelante en la instalación.

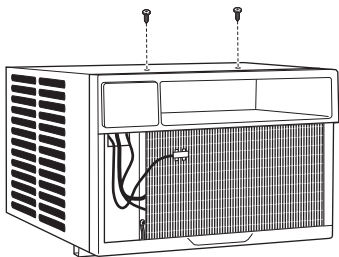


Quite tornillos

Instrucciones de instalación

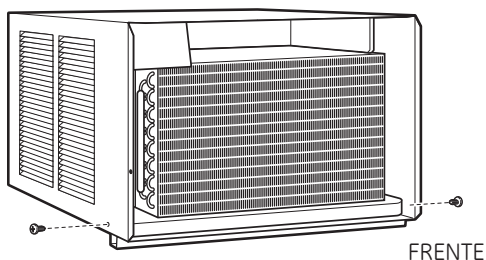
3 PREPARE EL ACONDICIONADOR DE AIRE

E Quite los tornillos de embalaje ubicados en la parte superior y en los costados de la carcasa.

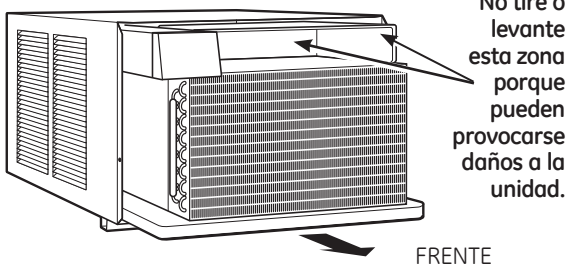


F Quite los tornillos de cada lado de la carcasa. Consérvelos en una ubicación segura.

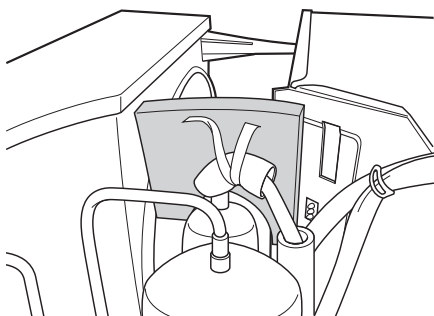
NOTA: Asegúrese de guardar estos tornillos. Los necesitará más adelante en la instalación.



G Quite y conserve el tornillo de cable a tierra. Deslice el acondicionador de aire de la carcasa tomando la manija de la bandeja inferior y tirando hacia adelante mientras se sujeta la carcasa. No tire o levante el área de descarga de poliestireno

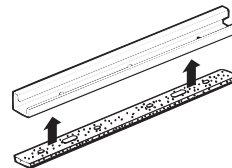


H Su unidad puede venir con empaque interno. Este empaque debe quitarse antes de la instalación del acondicionador de aire de vuelta en el gabinete.



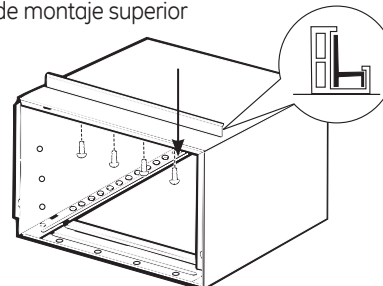
4 PREPARE LA CARCASA

A Sujete la junta del riel superior a la parte inferior del riel superior.

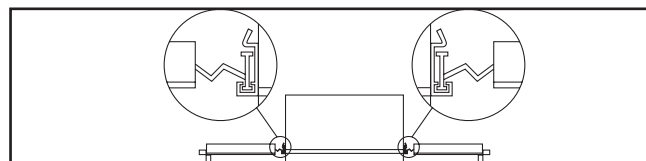
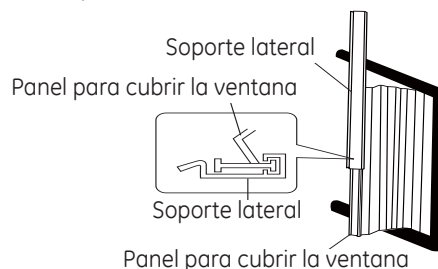


B Instale el riel de montaje superior con 4 tornillos tipo A desde la parte interior de la carcasa. Presione firmemente para introducir los tornillos dentro de la junta y a través del riel de montaje superior.

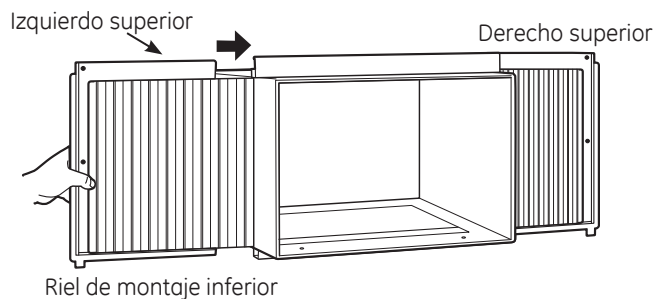
Riel de montaje superior



C Deslice cada soporte por el extremo de cada panel correspondiente. La figura muestra la orientación de cada panel de acordeón y junta de soporte lateral relativos a la caja desde una vista superior de la unidad.



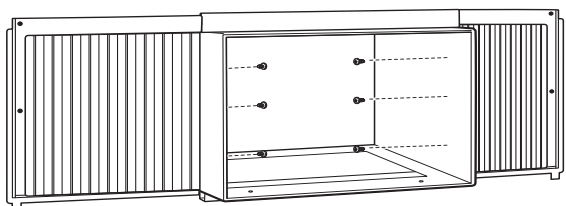
D Deslice los paneles de acordeón de izquierda a derecha sobre los rieles de montaje superior e inferior.



Instrucciones de instalación

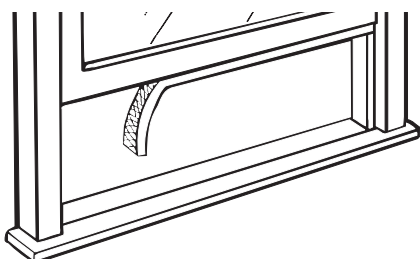
4 PREPARE LA CARCASA (suite)

- E** Adjunte los soportes laterales a la caja usando 6 tornillos tipo A.

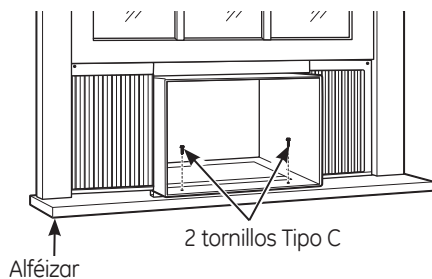


5 PREPARE THE WINDOW AND INSTALL THE CASE

- A** Corte el sello de la banda de la ventana a la longitud apropiada. Despegue la parte posterior y pegue el sello a la parte inferior de la banda de la ventana.

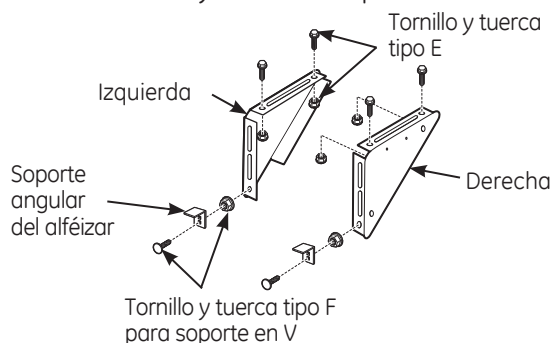


- B** Abra la ventana y marque el centro del alféizar de la ventana.
- C** Con cuidado, deslice la carcasa dentro de la ventana y céntrala. Baje la ventana detrás del riel de montaje superior. Tire de la parte inferior de la carcasa hacia adelante para que el riel de montaje inferior quede firme contra la parte trasera del alféizar de la ventana. Instale la carcasa en el alféizar de la ventana utilizando 2 tornillos tipo C para un marco de madera o dos tornillos tipo C con soporte para bloqueo de ventana para otros tipos de ventanas. Perfore orificios piloto, si fuera necesario.

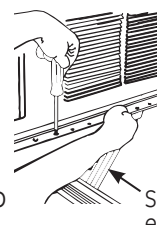


5 PREPARE LA VENTANA E INSTALE LA CAJA

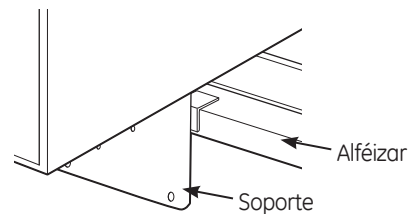
- D** Enlace el soporte en V y la ficha del soporte en V con una tuerca y un tornillo Tipo F.



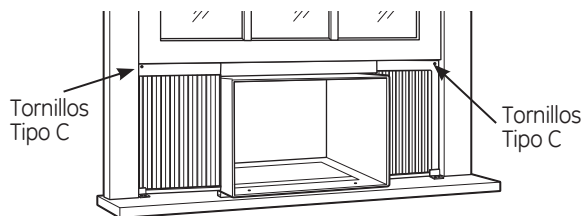
- E** Coloque los soportes en V en la base de la carcasa para que estén cerca de la pared exterior. Sujete el soporte en V a cada lado de la parte inferior de la carcasa con pernos tipo F, 2 para cada soporte.



- F** Ajuste los soportes angulares del alféizar de modo que descansen sobre el alféizar.



- G** Extienda los paneles en acordeón izquierdo y derecho hacia los marcos verticales de la ventana. Perfore orificios piloto y sujete las esquinas superiores e inferiores con 5 tornillos tipo C.



Instrucciones de instalación

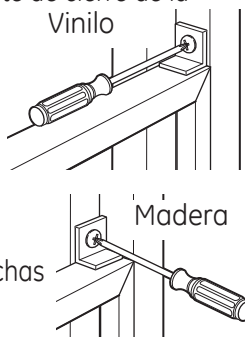
5 PREPARE LA VENTANA E INSTALE LA CAJA

H **PRECAUCIÓN:**

En ventanas construidas de vinilo o de similar construcción, conecte el soporte de cierre de la ventana a el marco de la ventana para prevenir daño a la ventana y vidrio quebrado.

Conecte el soporte de cierre de la ventana con uno tornillo tipo C.

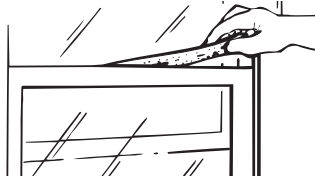
Esta unidad cuenta con dos fichas para bloqueo de ventana



I Corte la junta de espuma superior de la ventana al ancho de la ventana.

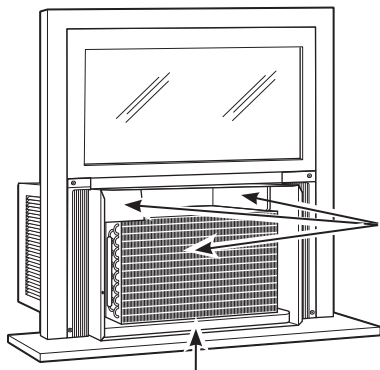
J Rellene la espuma entre el vidrio y la ventana para evitar que aire e insectos se introduzcan en la habitación.

NOTA: Si la junta provista no es adecuada para su ventana, obtenga el material apropiado localmente para realizar una adecuada instalación de sellado.



6 INSTALE EL ACONDICIONADOR EN LA CARCASA

A Deslice el acondicionador de aire dentro de la carcasa de la bandeja inferior. No haga presión sobre los controles, carcasa de poliestireno de la descarga de aire o las serpentinas de aletas. Verifique que el acondicionador de aire se encuentre firmemente asentado.

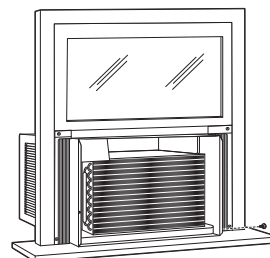


Bandeja inferior

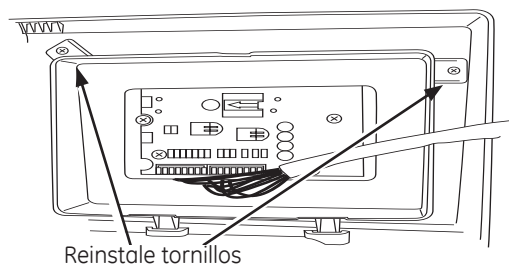
No presione en estas áreas porque puede dañarse la unidad.

6 INSTALE EL ACONDICIONADOR EN LA CARCASA

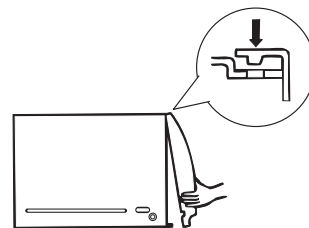
B Vuelva a instalar los 2 tornillos quitados antes, uno en cada lado de la carcasa. **IMPORTANTE:** Los tornillos de conexión a tierra deberán ser reinstalados para asegurar una conexión a tierra adecuada.



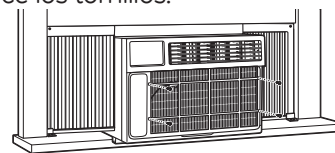
C Reinstale el control en el espacio del panel reemplazando los 2 tornillos que retiró previamente.



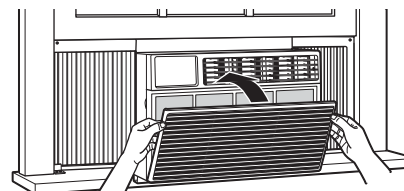
D Sujete la parrilla frontal a la carcasa introduciendo las lengüetas de la parrilla dentro de las ranuras de la parte superior frontal de la carcasa. Presione la parrilla hacia adentro.



E Reemplace los tornillos.



F Instale el filtro y la rejilla frontal.



G Enchufe el acondicionador de aire.

Instrucciones de Instalación a Través de la Pared—Opcional

La carcasa puede instalarse a través de la pared en construcciones existentes y nuevas.

Lea por completo y luego siga todos los pasos.

NOTA: Con excepción de los montajes de soportes en V (incluidos), obtenga todos los materiales en forma local para montar el acondicionador de aire a través de la pared.

1 IMPORTANTE

La instalación a través de la pared no es apropiada si alguna de las persianas laterales o superiores de la carcasa quedarán obstruidas por la pared.

Todas las persianas laterales y superiores de la carcasa deben proyectarse sobre la pared exterior de la pared.

El lado interior de la carcasa debe proyectarse dentro de la habitación lo suficiente para potenciar al máximo el equilibrio de la unidad.

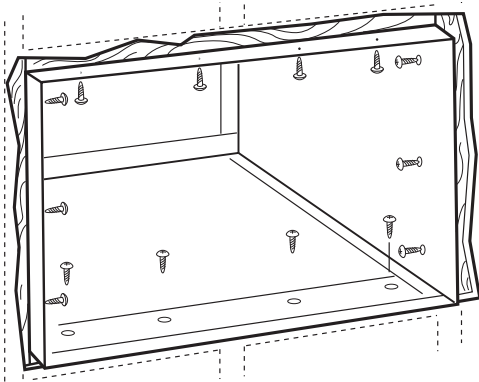
La carcasa debe estar instalada de lado a lado y con una pequeña inclinación del frente hacia la parte trasera. Utilice un nivel; la inclinación correcta de la carcasa hacia el exterior no deberá ser de más de 1/2 burbuja.

Se requiere un ángulo de dintel para sostener ladrillos o bloques sobre la abertura.

Se requiere un revestimiento de aislación que debe extenderse por la longitud de la abertura para asegurar que no haya pérdidas en las cavidades internas.

A Quite el acondicionador de aire de la caja. Para instrucciones específicas, consulte las Instrucciones de instalación en una ventana.

B Asegúrese de que haya un tomacorriente cerca de la ubicación del orificio o efectúe arreglos para instalar un tomacorriente.



C Coloque la carcasa en la abertura de la pared y coloque guías de soporte de madera entre la parte inferior de la carcasa y el revestimiento de aislación sobre ambos lados del riel inferior. Deben ser de la misma altura del riel inferior y de la misma longitud de la abertura de la pared.

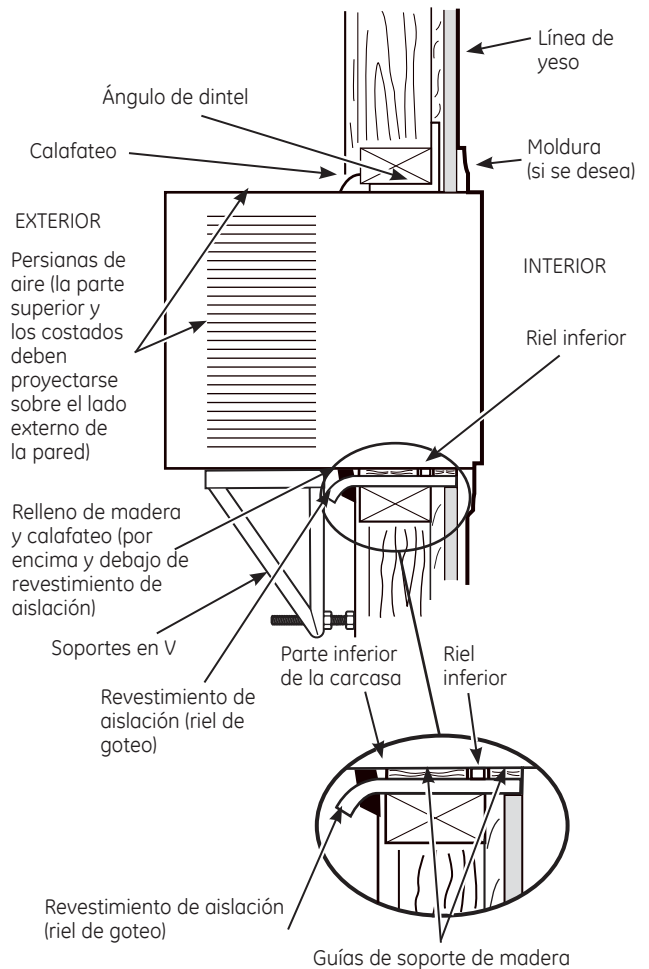
1 IMPORTANTE (cont.)

D Fije con 14 tornillos para madera sujetos por lo menos una pulgada dentro de la estructura de soporte de la pared.

NOTA: Perfore orificios piloto, si fuera necesario, para una instalación adecuada. Si el armazón es más grande, utilice cuñas para prevenir la deformación de la carcasa.

2 TERMINE LA ABERTURA DE LA PARED

A Utilice calafateo en los cuatro costados del lado exterior de la carcasa para que no ingrese humedad a la parte interna. El uso de revestimiento de aislación (riel de goteo) evitará aún más el ingreso de agua dentro de la pared y en la parte exterior del edificio.



B Coloque el acondicionador de aire dentro de la carcasa. Para instrucciones específicas, consulte las Instrucciones de instalación en una ventana.

Solucionar problemas.

Problema	Causas posibles	Qué hacer
El acondicionador de aire no enciende	El acondicionador de aire está desconectado.	<ul style="list-style-type: none"> • Cerciórese de que el acondicionador de aire está enchufado totalmente en el tomacorriente.
	El fusible se disparó / el cortacircuitos se disparó.	<ul style="list-style-type: none"> • Inspeccione los fusibles / caja de interruptores de la casa y reemplace cualquier fusible o reajuste el interruptor.
	Interrupción en el suministro eléctrico.	<ul style="list-style-type: none"> • La unidad se reiniciará automáticamente con la configuración utilizada por última vez luego de reestablecer la electricidad. • Existe un retraso de tiempo por protección (de aproximadamente 3 minutos) para evitar la desconexión por sobrecarga del compresor. Por esta razón, es posible que la unidad no comience a enfriar de forma normal hasta transcurridos 3 minutos desde que volvió a encenderse.
	El dispositivo de interrupción de corriente se ha activado.	<ul style="list-style-type: none"> • Presione el botón RESET ubicado en el cable de alimentación. • Si el botón RESET no se mantiene en su lugar, no utilice más el acondicionador de aire y comuníquese con un técnico calificado.
El acondicionador de aire no enfría como debería	El flujo de aire está restringido.	<ul style="list-style-type: none"> • Cerciórese de que no existe ninguna cortina, persiana o mueble bloqueando el frente del acondicionador de aire.
	El filtro de aire está sucio.	<ul style="list-style-type: none"> • Limpie el filtro cada 30 días por lo menos. Ver la sección de Cuidado y limpieza.
	La habitación podría haber estado caliente.	<ul style="list-style-type: none"> • Cuando el acondicionador de aire se enciende, usted necesita darle tiempo para que enfríe la habitación.
	El aire frío se está escapando.	<ul style="list-style-type: none"> • Cerciórese de que los registros de la calefacción no están abiertos y se encuentran retornando el aire frío.
	Las bobinas de enfriamiento se congelaron.	<ul style="list-style-type: none"> • Ver "El acondicionador de aire se está congelando" más adelante.
El acondicionador de aire se está congelando	El hielo bloquea el flujo de aire hacia el acondicionador de aire evitando que se enfríe la habitación.	<ul style="list-style-type: none"> • Colo que los controles en High Fan (Ventilador Alto) ó High Cool (Frío Alto) y ajuste el termostato a una temperatura más alta.
Hay agua goteando afuera	Tiempo húmedo y caliente.	<ul style="list-style-type: none"> • Esto es normal.
Hay agua goteando en el interior de la habitación	El acondicionador de aire no está inclinado hacia afuera.	<ul style="list-style-type: none"> • Para drenar el agua apropiadamente, cerciórese de que el acondicionador de aire está inclinado ligeramente desde el frente hacia atrás.
Se acumula agua en la bandeja	La humedad removida del aire y se drena hasta la bandeja.	<ul style="list-style-type: none"> • Esto es normal por un corto período en áreas con poca humedad; normal por un período de tiempo más postergado en áreas más húmedas.

Sonidos de operación normales

- Quizás escuche un sonido metálico causado por el agua tomada y tirada contra el condensador en los días lluviosos o cuando la humedad es alta. Esta característica de diseño ayuda a remover la humedad y mejora la eficiencia.
- Quizás escuche que el termostato hace clic cuando el compresor hace ciclo entre encendido y apagado.
- El agua se acumula en la bandeja durante días lluviosos o con mucha humedad. El agua podría derramarse y gotear desde el lado externo de la unidad.
- El ventilador podría funcionar aun si el compresor no lo hace.

Notas.

Garantía de su acondicionador de aire—garantía limitada de un año.



Todos los servicios de garantía los proporcionan nuestros Centros de Reparación de Fábrica o nuestros técnicos Customer Care® autorizados. Para concertar una cita de reparación, en línea, 24 horas al día, visítenos al ge.com, o llame al 800.GE.CARES (800.432.2737). Cuando llame para solicitar servicio, por favor tenga a mano el número de serie y el número de modelo.

Grape aquí su recibo. Se requiere facilitar prueba de la fecha de compra original para obtener un servicio bajo la garantía.

Por el período de: **GE reemplazará:**

Un año

A partir de la fecha de la compra original

Cualquier parte del acondicionador de aire que falle debido a defectos en los materiales o en la fabricación. Durante esta **garantía limitada de un año**, GE también proporcionará, **sin costo alguno**, toda la mano de obra y el servicio relacionado—para reemplazar partes defectuosas.

Lo que no está cubierto:

- Viajes de servicio a su casa para mostrarle cómo funciona el equipo.
- Instalación o entrega inapropiada, o mantenimiento impropio. Si usted tiene un problema durante la instalación, o si su acondicionador de aire no tiene la capacidad de enfriamiento que usted necesita, póngase en contacto con nuestro distribuidor o instalador. Usted es responsable de proporcionar las facilidades de conexión eléctrica necesarias.
- Fallo del producto resultante de modificaciones al producto o debido a uso irrazonable incluyendo no proporcionar mantenimiento razonable y necesario.
- En locales comerciales, la mano de obra necesaria para retirar la unidad hacia un lugar para revisión por parte de un técnico individual.
- Reemplazo de fusibles de la casa o reajuste del sistema de circuitos.
- Fallos debido a la corrosión en modelos que no están protegidos contra la corrosión.
- Daño al producto causado por voltaje inapropiado hacia el equipo, accidentes, incendios, inundaciones o actos de la naturaleza de fuerza mayor.
- Daños incidentales o consecuenciales causados por defectos posibles con este acondicionador de aire.
- Daños después de la entrega.

EXCLUSIÓN DE GARANTÍAS IMPLÍCITAS—Su único y exclusivo derecho es la reparación del producto, tal y como se indica en esta Garantía limitada. Cualquier garantía implícita, incluyendo las garantías implícitas de comerciabilidad o adecuación para un fin determinado, están limitadas a un año o el período de tiempo más breve permitido por la ley.

Esta garantía se extiende al comprador original y cualquier comprador posterior de productos comprados para uso residencial dentro de Estados Unidos. Si el producto está situado en un área que no dispone de servicio por parte de un proveedor de servicio autorizado de GE, podría tener que hacerse cargo de los costes de envío o bien podría solicitársele que lleve el producto a una centro de servicio de GE autorizado para realizar la reparación. En Alaska, la garantía excluye el costo de envío o las visitas de servicio a su casa.

Algunos estados no permiten la exclusión o las limitaciones de daños incidentales o consecuenciales. Esta garantía da derechos legales específicos, y usted podría tener otros derechos que variarán de estado a estado. Para saber cuáles son sus derechos legales, consulte a la oficina de asuntos del consumidor local o la oficina del Attorney General en su localidad.

Garante: General Electric Company. Louisville, KY 40225

Servicio al consumidor.



Página Web de GE Appliances

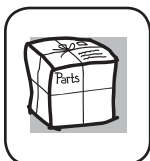
GEAppliances.com

¿Tiene alguna pregunta sobre su electrodoméstico? ¡Pruebe la página Web de GE Appliances, cualquier día del año! Para mayor conveniencia y servicio más rápido, ya puede descargar los Manuales de los Propietarios, pedir piezas o incluso hacer una cita en línea para que vengan a realizar una reparación.



Real Life Design Studio (Estudio de diseño para la vida real) GEAppliances.com

GE apoya el concepto de Diseño Universal—productos, servicios y ambientes que pueden usar gente de todas las edades, tamaños y capacidades. Reconocemos la necesidad de diseñar para una gran gama de habilidades y dificultades físicas y mentales. Para más detalles sobre las aplicaciones de GE Diseño Universal, incluyendo ideas de diseño para la cocina para personas con discapacidades, mire nuestra página Web hoy mismo. Para personas con dificultades auditivas, favor de llamar al 800.TDD.GEAC (800.833.4322).



Piezas y accesorios

GEAppliances.com

Aquellos individuos con la calificación necesaria para reparar sus propios electrodomésticos pueden pedir que se les manden las piezas o accesorios directamente a sus hogares (aceptamos las tarjetas VISA, MasterCard y Discover). Haga su pedido en línea hoy, 24 horas cada día o llamar por teléfono al 800.626.2002 durante horas normales de oficina.

Las instrucciones descritas en este manual cubren los procedimientos a seguir por cualquier usuario. GE no está no apoya que se le proporcione ningún servicio al acondicionador de aire. Vehementemente recomendamos que usted no intente proporcionar servicio al acondicionador de aire usted mismo.



Póngase en contacto con nosotros

GEAppliances.com

Si no está satisfecho con el servicio que recibe de GE, póngase en contacto con nosotros en nuestra página Web indicando todos los detalles así como su número de teléfono o escribanos a:

General Manager, Customer Relations
GE Appliances, Appliance Park
Louisville, KY 40225

Consumer Support.



GE Appliances Website

GEAppliances.com

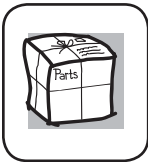
Have a question or need assistance with your appliance? Try the GE Appliances Website 24 hours a day, any day of the year! For greater convenience and faster service, you can now download Owner's Manuals, or even order parts on-line.



Real Life Design Studio

GEAppliances.com

GE supports the Universal Design concept—products, services and environments that can be used by people of all ages, sizes and capabilities. We recognize the need to design for a wide range of physical and mental abilities and impairments. For details of GE's Universal Design applications, including kitchen design ideas for people with disabilities, check out our Website today. For the hearing impaired, please call 800.TDD.GEAC (800.833.4322).



Parts and Accessories

GEApplianceParts.com

Individuals qualified to service their own appliances can have parts or accessories sent directly to their homes (VISA, MasterCard and Discover cards are accepted). Order on-line today, 24 hours every day or by phone at 800.626.2002 during normal business hours.

Instructions contained in this manual cover procedures to be performed by any user. GE does not support any servicing of the air conditioner. We strongly recommend that you do not attempt to service the air conditioner yourself.



Contact Us

GEAppliances.com

If you are not satisfied with the service you receive from GE, contact us on our Website with all the details including your phone number, or write to:

General Manager, Customer Relations
GE Appliances, Appliance Park
Louisville, KY 40225