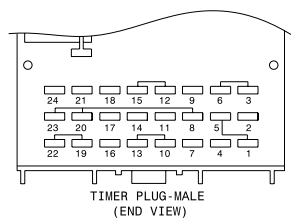
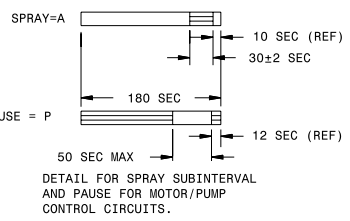
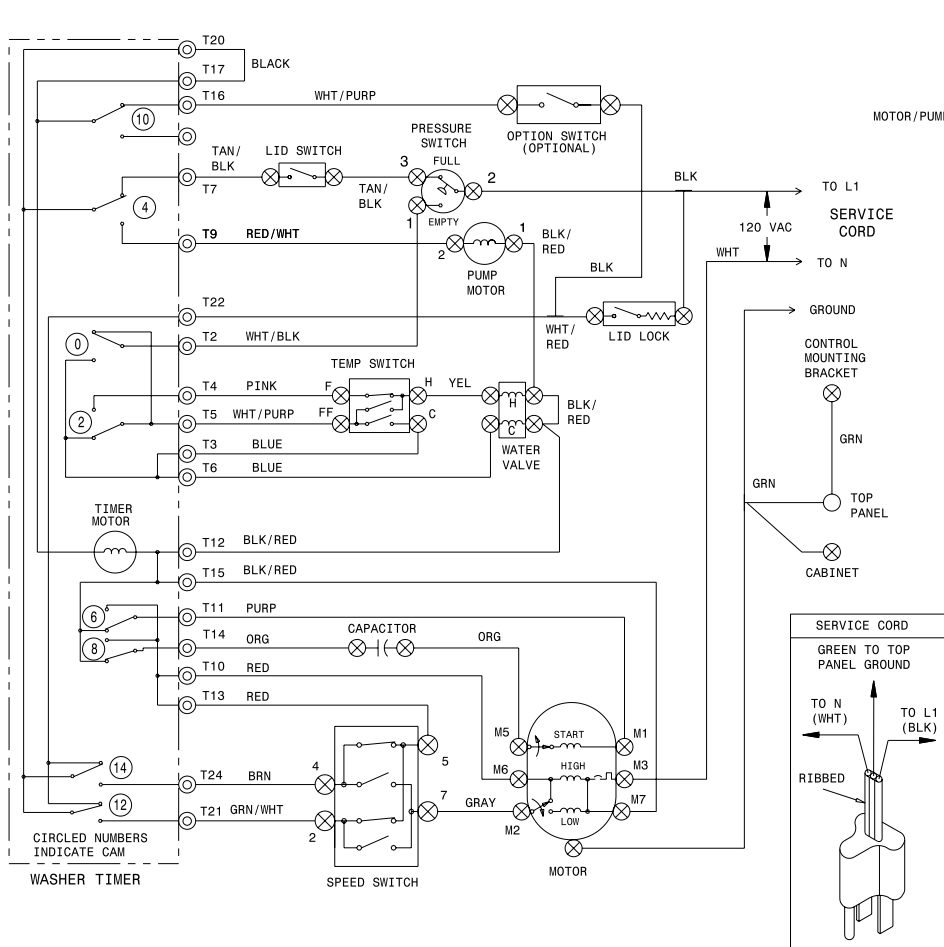
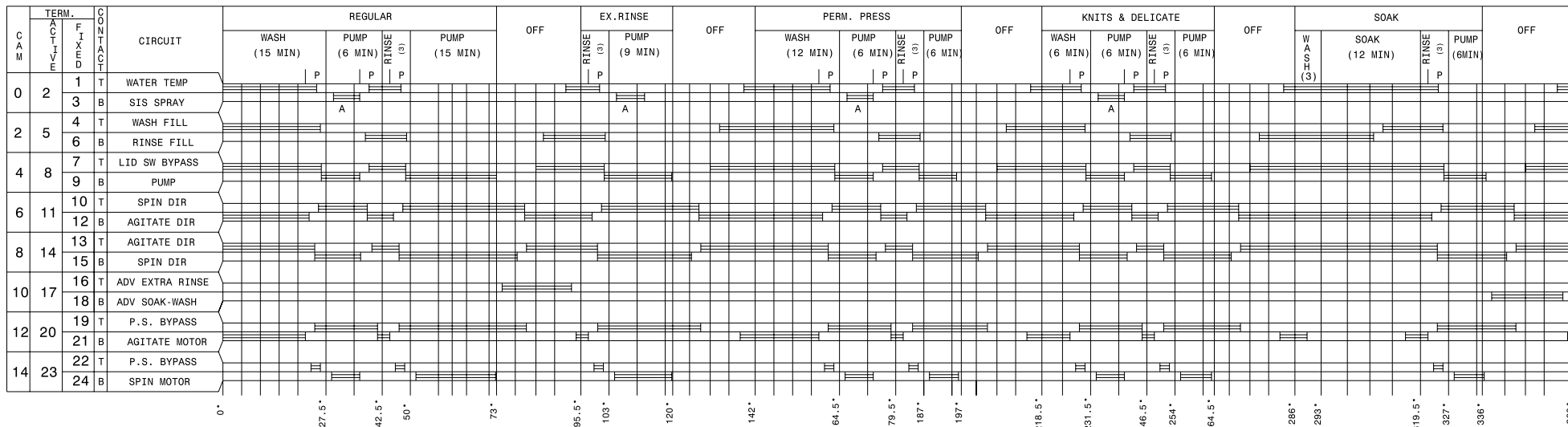


CAUTION: DISCONNECT ELECTRIC CURRENT BEFORE SERVICING

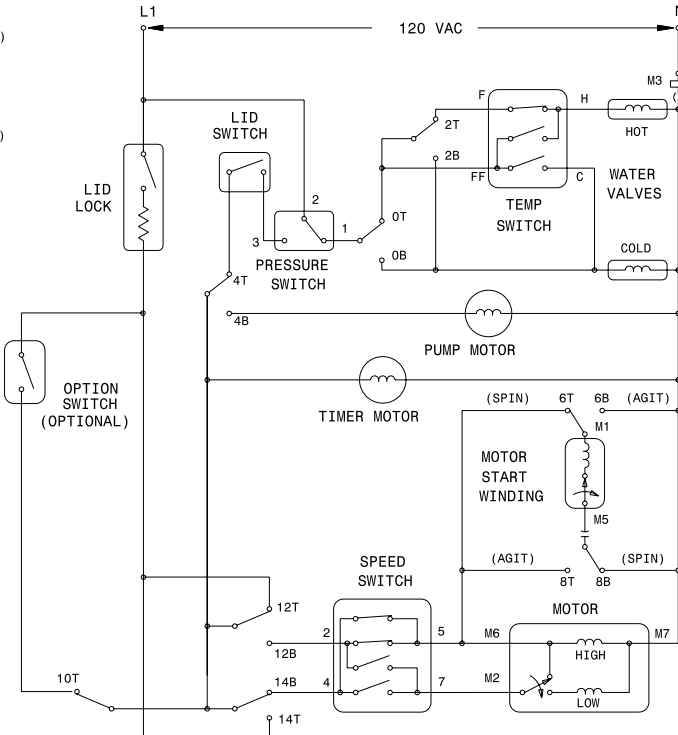


- WIRING CODES**
- ⊙ PLUG IN TIMER TERMINAL
 - ⊗ QUICK DISCONNECT TERMINAL
 - SCREW TERMINAL
 - CONNECTION
 - + NO CONNECTION
 - ⊕ MOTOR SWITCH
 - ⊞ SPLICE
 - ⊞ MOTOR PROTECTOR
 - ⊞ CHASSIS (CABINET) GROUND

TEMPERATURE SWITCH CIRCUIT

	F-H	FF-H	FF-C
WASH/RINSE			
COLD/COLD			X
WARM/COLD	X		X
HOT/COLD	X		
WARM/WARM (OPT)		X	X

X=CONTACTS CLOSED



SPEED SWITCH CIRCUIT

	2-5	2-7	4-7	4-5
AGIT/SPIN				
N/N	X			X
N/S	X		X	
S/N (OPT)		X		X
S/S		X	X	

N=NORMAL X=CONTACTS CLOSED
S=SLOW

NOTE:
SUFFIX INDICATES TIMER SWITCH CONTACTS
T= TOP
B= BOTTOM
—= OPTIONAL ON SOME MODELS