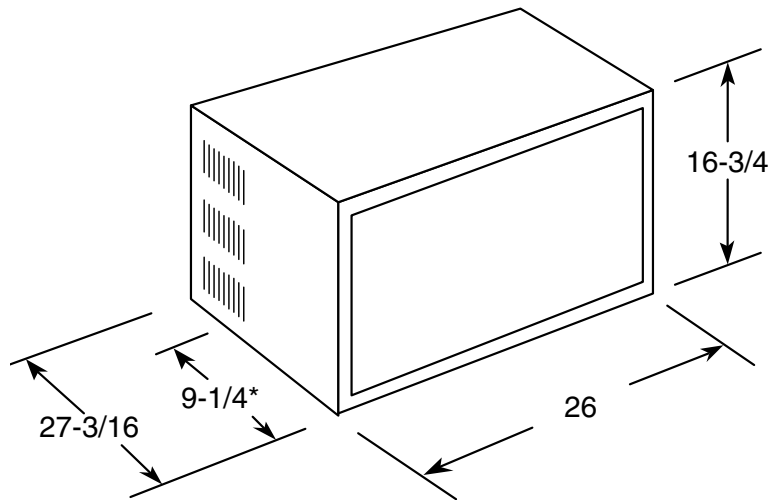




GE Appliances

ASV24DA—GE Value 230 Volt Room Air Conditioner

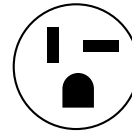
Wall Case Dimensions (in inches)



*Distance from front of case to side louvers (excluding grille).

Note: When installing units in through-the-wall applications, keep louvers free. Do not restrict air flow areas.

Perpendicular



230/208V
20 Amp

Wall Outlets: All wiring including installation of receptacle must be made in accordance with local electrical codes and regulations. Electrical outlet should be in reach of line cord.

Note: Aluminum wiring may pose special problems—consult a qualified electrician.

Specification Created 2/00

For answers to your Monogram®,
GE Profile Performance Series™,
GE Profile™ or GE appliance questions, call
GE Answer Center® service, 800.626.2000.



Total capacity and E.E.R. ratings are calculated based on the Association of Home Appliance Manufacturers' standards.

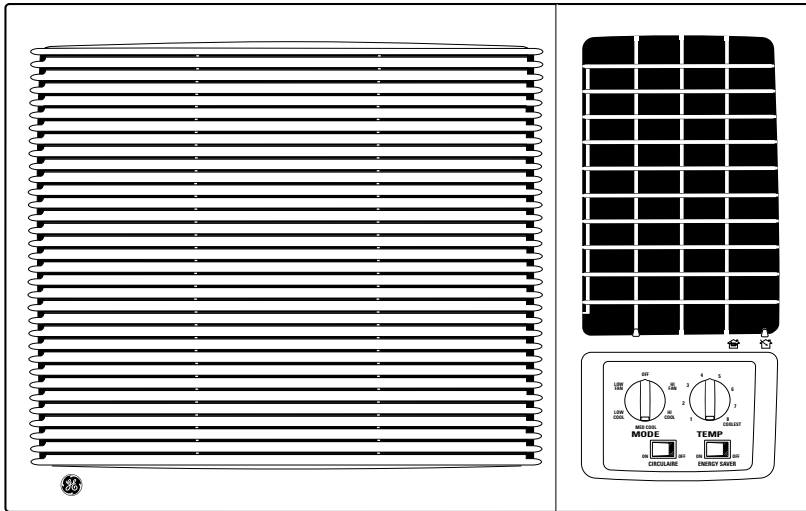


Listed by
Underwriters
Laboratories



GE Appliances

ASV24DA—GE Value 230 Volt Room Air Conditioner



Features and Benefits

- 23,700 / 23,100 BTUH, 8.5 / 8.5 EER, 230 / 208 Volts
- 2,790 / 2,715 Watts / 12.5 / 13.4 Amps
- 6.5 Dehumidification (pts / hr)
- 8-Position Thermostat
- 3 Cooling / 2 Fan Speeds
- 480 CFM (High)
- EZ Mount Window Installation
- Slide-Out Chassis
- Lift-Out Filter for Easy Cleaning
- Plug Type—Perpendicular
- Model ASV24DA - Contemporary white