

# Operator's Manual



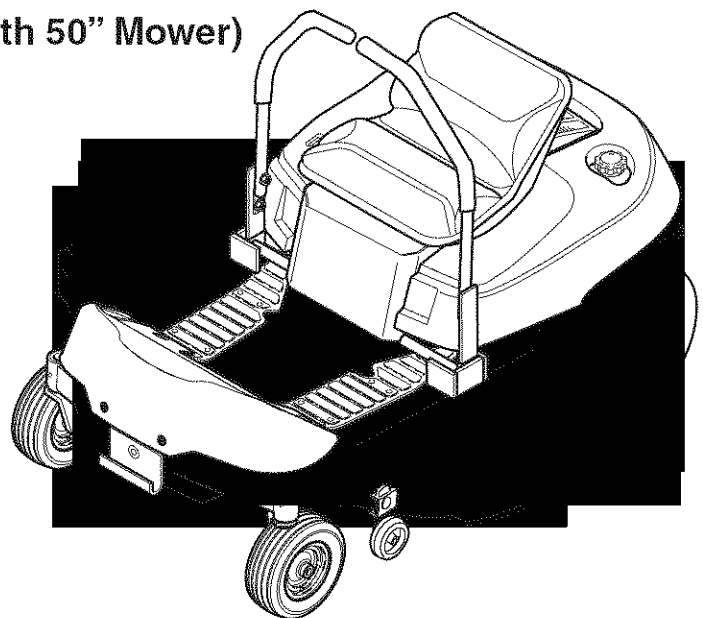
## ZT 7000

Zero-Turn Rear Engine Riders with Electric Start

Model No.

**107.27772 (20HP Kohler with 44" Mower)**

**107.27774 (22HP Briggs & Stratton with 50" Mower)**



**CAUTION:** Before using this product, read the manual and follow all its Safety Rules and Operating Instructions.

For answers to your questions about this product, call:

**1-800-659-5917**

**Sears Craftsman Help Line**

5 am - 5 pm, Mon - Sat

Nota: Una traducción en español de este Manual del Operador puede encontrarse en la página 35.

Sears, Roebuck and Co., Hoffman Estates, IL 60179 U.S.A.

Visit our Craftsman website: [www.sears.com/craftsman](http://www.sears.com/craftsman)

# TABLE OF CONTENTS

Nota: Una traducción en español de este Manual del Operador puede encontrarse en la página 35.

Warranty Statement.....	2	Service & Adjustments .....	28
Safety Rules & Information.....	3	Storage .....	32
Identification Numbers.....	7	Troubleshooting.....	33
Optional Accessories.....	8	Spanish Operator's Manual .....	35
Literature Package Contents .....	8	Repair Parts .....	PTS-1
Pre-Operation.....	9	Hardware & Torque Specifications.....	PTS-39
Operation.....	10	Repair Protection Agreement.....	Inside Back Cover
Maintenance.....	17	Service Numbers.....	Back Cover

*NOTE: In this manual, "left" and "right" are referred to as seen from the operating position.*

## WARRANTY

### LIMITED WARRANTY ON CRAFTSMAN RIDING EQUIPMENT

For two (2) years from the date of purchase, if this Craftsman riding equipment is maintained, lubricated and tuned up according to the instructions in the owner's manual, Sears will repair or replace free of charge any parts that are found to be defective in material or workmanship according to the guidelines of coverage listed below. Sears will also provide free labor for these applicable warrantied parts for the two full years. During the first 30 days of purchase, there will be no charges to service the product at your home for issues covered by this warranty. (See exclusions below). For your convenience, IN HOME warranty service will still be available after the first 30 days of purchase, but a trip charge will apply. This charge will be waived if the Craftsman product is dropped off at an authorized Sears location. For the nearest authorized Sears location, please call 1-800-MY-HOME. This warranty applies only while this product is within the United States.

### THIS WARRANTY DOES NOT COVER:

- Expendable items which become worn during normal use, including but not limited to blades, spark plugs, air cleaners, belts, and oil filters.
- Standard maintenance servicing, oil changes, or tune-ups.
- Tire replacement or repair caused by punctures from outside objects, such as nails, thorns, stumps, or glass.
- Repairs necessary because of operator abuse, including but not limited to, damage caused by towing objects beyond the capability of the riding equipment, impacting objects that bend the frame or crankshaft, or over-speeding the engine.
- Repairs necessary because of operator negligence, including but not limited to, electrical and mechanical damage caused by improper storage, failure to use the proper grade and amount of engine oil, failure to keep the deck clear of flammable debris, or failure to maintain the equipment according to the instructions contained in the owner's manual.
- Engine (fuel system) cleaning or repairs caused by fuel determined to be contaminated or oxidized (stale). In general, fuel should be used within 30 days of its purchase date.
- Normal deterioration and wear of the exterior of the exterior finishes, or product label replacement.
- Riding equipment used for commercial or rental purposes.

### LIMITED WARRANTY ON BATTERY

For ninety (90) days from date of purchase, if any battery included with this riding equipment proves defective in material or workmanship and our testing determines the battery will not hold a charge, Sears will replace the battery at no charge. During the first 30 days of purchase, there will be no charges to replace the battery at your HOME. After first 30 days, for your convenience, IN-HOME warranty service will still be available but a trip charge will apply. This charge will be waived if the Craftsman product is dropped off at an authorized Sears location. FOR THE NEAREST AUTHORIZED LOCATION, PLEASE CALL 1-800-4-MY-HOME. This battery warranty applies only while this product is within the United States.

This warranty gives you specific legal rights, and you may also have other rights which vary from state to state.


Sears, Roebuck and Co., Dept. 817WA, Hoffman Estates, IL 60179

# SAFETY RULES



Read these safety rules and follow them closely. Failure to obey these rules could result in loss of control of unit, severe personal injury or death to you, or bystanders, or damage to property or equipment.

**This mowing deck is capable of amputating hands and feet and throwing objects.**

The triangle  in text signifies important cautions or warnings which must be followed.

## GENERAL OPERATION

1. Read, understand, and follow all instructions in the manual and on the unit before starting.
2. Do not put hands or feet near rotating parts or under the machine. Keep clear of the discharge opening at all times.
3. Only allow responsible adults, who are familiar with the instructions, to operate the unit (local regulations can restrict operator age).
4. Clear the area of objects such as rocks, toys, wire, etc., which could be picked up and thrown by the blade(s).
5. Be sure the area is clear of other people before mowing. Stop the unit if anyone enters the area.
6. Never carry passengers.
7. Do not mow in reverse unless absolutely necessary. Always look down and behind before and while traveling in reverse.
8. Never direct discharge material toward anyone. Avoid discharging material against a wall or obstruction. Material may ricochet back toward the operator. Stop the blade(s) when crossing gravel surfaces.
9. Do not operate the machine without the entire grass catcher, discharge guard (deflector), or other safety devices in place and operational.
10. Slow down before turning.
11. Never leave a running unit unattended. Always disengage the blades (PTO), set parking brake, stop engine, and remove keys before dismounting.
12. Disengage blades (PTO) when not mowing. Shut off engine and wait for all parts to come to a complete stop before cleaning the machine, removing the grass catcher, or unclogging the discharge guard.
13. Operate the machine only in daylight or good artificial light.
14. Do not operate the unit while under the influence of alcohol or drugs.
15. Watch for traffic when operating near or crossing roadways.
16. Use extra care when loading or unloading the unit into a trailer or truck.
17. Always wear eye protection when operating this unit.
18. Data indicates that operators, age 60 years and above, are involved in a large percentage of power equipment-related injuries. These operators should evaluate their ability to operate the equipment safely enough to protect themselves and others from injury.
19. Follow the manufacturer's recommendations for wheel weights or counterweights.
20. Keep in mind the operator is responsible for accidents occurring to other people or property.
21. All drivers should seek and obtain professional and practical instruction.
22. Always wear substantial footwear and trousers. Never operate when barefoot or wearing sandals.
23. Before using, always visually check that the blades and blade hardware are present, intact, and secure. Replace worn or damaged parts.
24. Disengage attachments before: refueling, removing an attachment, making adjustments (unless the adjustment can be made from the operator's position).
26. Before leaving the operator's position for any reason, engage the parking brake (if equipped), disengage the blades (PTO), stop the engine, and remove the key.
27. To reduce fire hazard, keep the unit free of grass, leaves, & excess oil. Do not stop or park over dry leaves, grass, or combustible materials.
28. It is a violation of California Public Resource Code Section 4442 to use or operate the engine on or near any forest-covered, brush-covered, or grass-covered land unless the exhaust system is equipped with a spark arrester meeting any applicable local or state laws. Other states or federal areas may have similar laws.

## TRANSPORTING AND STORAGE

1. When transporting the unit on an open trailer, make sure it is facing forward, in the direction of travel. If the unit is facing backwards, wind lift could damage the unit.
2. Always observe safe refueling and fuel handling practices when refueling the unit after transportation or storage.
3. Never store the unit (with fuel) in an enclosed poorly ventilated structure. Fuel vapors can travel to an ignition source (such as a furnace, water heater, etc.) and cause an explosion. Fuel vapor is also toxic to humans and animals.
4. Always follow the engine manual instructions for storage preparations before storing the unit for both short and long term periods.
5. Always follow the engine manual instructions for proper start-up procedures when returning the unit to service.
6. Never store the unit or fuel container inside where there is an open flame or pilot light, such as in a water heater. Allow unit to cool before storing.

TP 600-4103-00-ZT-UV

## SLOPE OPERATION

Slopes are a major factor related to loss-of-control and tip-over accidents, which can result in severe injury or death. Operation on all slopes requires extra caution. If you cannot back up the slope or if you feel uneasy on it, do not operate on it.

Control of a walk-behind or ride-on machine sliding on a slope will not be regained by the application of the brake. The main reasons for loss of control are: insufficient tire grip on the ground, speed too fast, inadequate braking, the type of machine is unsuitable for its task, lack of awareness of the ground conditions, incorrect hitching and load distribution.

1. Mow across the face of slopes, not up and down.
2. Watch for holes, ruts, or bumps. Uneven terrain could overturn the unit. Tall grass can hide obstacles.
3. Choose a slow speed so that you will not have to stop or change speeds while on the slope.
4. Do not mow on wet grass. Tires may lose traction.
5. Never mow down slopes.
6. Avoid starting, stopping, or turning on a slope. If tires lose traction (i.e. machine stops forward motion on a slope), disengage the blade(s) (PTO) and drive slowly off the slope.
7. Keep all movement on slopes slow and gradual. Do not make sudden changes in speed or direction, which could cause the machine to rollover.
8. Use extra care while operating machines with grass catchers or other attachments; they can affect the stability of the unit. Do not use on steep slopes.
9. Do not try to stabilize the machine by putting your foot on the ground (ride-on units).
10. Do not mow near drop-offs, ditches, or embankments. The mower could suddenly turn over if a wheel is over the edge of a cliff or ditch, or if an edge caves in.
11. Do not use grass catchers on steep slopes.
12. Do not mow slopes if you cannot back up them.
13. See your authorized dealer/retailer for recommendations of wheel weights or counterweights to improve stability.
14. Remove obstacles such as rocks, tree limbs, etc.
15. Use slow speed. Tires may lose traction on slopes even through the brakes are functioning properly.
16. Do not turn on slopes unless necessary, and then, turn slowly and gradually uphill, if possible. Never mow down slopes.

## TOWED EQUIPMENT (RIDE-ON UNITS)

1. Tow only with a machine that has a hitch designed for towing. Do not attach towed equipment except at the hitch point.
2. Follow the manufacturer's recommendations for weight limit for towed equipment and towing on slopes. See attaching a trailer under OPERATION.
3. Never allow children or others in or on towed equipment.
4. On slopes, the weight of the towed equipment may cause loss of traction and loss of control.
5. Travel slowly and allow extra distance to stop.
6. Do not shift to neutral and coast down hill.

## WARNING

Never operate on slopes greater than 17.6 percent (10°) which is a rise of 3-1/2 feet (106 cm) vertically in 20 feet (607 cm) horizontally.

Select slow ground speed before driving onto slope. Use extra caution when operating on slopes with rear-mounted grass catchers.

Mow across the face of slopes, not up and down, use caution when changing directions and **DO NOT START OR STOP ON SLOPE.**

## CHILDREN

Tragic accidents can occur if the operator is not alert to the presence of children. Children are often attracted to the unit and the mowing activity. Never assume that children will remain where you last saw them.

1. Keep children out of the mowing area and under the watchful care of another responsible adult.
2. Be alert and turn unit off if children enter the area.
3. Before and during reverse operation, look behind and down for small children.
4. Never carry children, even with the blade(s) off. They may fall off and be seriously injured or interfere with safe unit operation. Children who have been given rides in the past may suddenly appear in the mowing area for another ride and be run over or backed over by the machine.
5. Never allow children to operate the unit.
6. Use extra care when approaching blind corners, shrubs, trees, or other objects that may obscure vision.

## EMISSIONS

1. Engine exhaust from this product contains chemicals known, in certain quantities, to cause cancer, birth defects, or other reproductive harm.
2. Look for the relevant Emissions Durability Period and Air Index information on the engine emissions label.

## IGNITION SYSTEM

1. This spark ignition system complies with Canadian ICES-002.

## SERVICE AND MAINTENANCE

### Safe Handling of Gasoline

1. Extinguish all cigarettes, cigars, pipes, and other sources of ignition.
2. Use only approved gasoline containers.
3. Never remove the gas cap or add fuel with the engine running. Allow the engine to cool before refueling.
4. Never fuel the machine indoors.
5. Never store the machine or fuel container where there is an open flame, spark, or pilot light such as near a water heater or other appliance.
6. Never fill containers inside a vehicle or on a truck bed with a plastic bed liner. Always place containers on the ground away from your vehicle before filling.
7. Remove gas-powered equipment from the truck or trailer and refuel it on the ground. If this is not possible, then refuel such equipment on a trailer with a portable container, rather than from a gasoline dispenser nozzle.
8. Keep nozzle in contact with the rim of the fuel tank or container opening at all times until fueling is complete. Do not use a nozzle lock-open device.
9. If fuel is spilled on clothing, change clothing immediately.
10. Never over-fill the fuel tank. Replace gas cap and tighten securely.
11. Use extra care in handling gasoline and other fuels. They are flammable and vapors are explosive.
12. If fuel is spilled, do not attempt to start the engine but move the machine away from the area of spillage and avoid creating any source of ignition until fuel vapors have dissipated.
13. Replace all fuel tank caps and fuel container caps securely.
13. If the fuel tank must be drained, it should be drained outdoors.
14. Replace faulty silencers/mufflers.
15. Maintain or replace safety and instruction labels as necessary.
16. Use only factory authorized replacement parts when making repairs.
17. Always comply with factory specifications on all settings and adjustments.
18. Only authorized service locations should be utilized for major service and repair requirements.
19. Never attempt to make major repairs on this unit unless you have been properly trained. Improper service procedures can result in hazardous operation, equipment damage and voiding of manufacturer's warranty.
20. On multiple blade mowers, take care as rotating one blade can cause other blades to rotate.
21. Do not change engine governor settings or over-speed the engine. Operating the engine at excessive speed can increase the hazard of personal injury.
22. Disengage drive attachments, stop the engine, remove the key, and disconnect the spark plug wire(s) before: clearing attachment blockages and chutes, performing service work, striking an object, or if the unit vibrates abnormally. After striking an object, inspect the machine for damage and make repairs before restarting and operating the equipment.
23. Never place hands near moving parts, such as a hydro pump cooling fan, when the tractor is running. (Hydro pump cooling fans are typically located on top of the transaxle).
25. **WARNING:** Stored energy device. Improper release of springs can result in serious personal injury. Springs should be removed by an authorized technician.

### Service & Maintenance

1. Never run the unit in an enclosed area where carbon monoxide fumes may collect.
2. Keep nuts and bolts, especially blade attachment bolts, tight and keep equipment in good condition.
3. Never tamper with safety devices. Check their proper operation regularly and make necessary repairs if they are not functioning properly.
4. Keep unit free of grass, leaves, or other debris build-up. Clean up oil or fuel spillage and remove any fuel-soaked debris. Allow machine to cool before storage.
5. If you strike an object, stop and inspect the machine. Repair, if necessary, before restarting.
6. Never make adjustments or repairs with the engine running.
7. Check grass catcher components and the discharge guard frequently and replace with manufacturer's recommended parts, when necessary.
8. Mower blades are sharp. Wrap the blade or wear gloves, and use extra caution when servicing them.
9. Check brake operation frequently. Adjust and service as required.
10. Maintain or replace safety and instructions labels, as necessary.
11. Do not remove the fuel filter when the engine is hot as spilled gasoline may ignite. Do not spread fuel line clamps further than necessary. Ensure clamps grip hoses firmly over the filter after installation.
12. Do not use gasoline containing METHANOL, gasohol containing more than 10% ETHANOL, gasoline additives, or white gas because engine/fuel system damage could result.

# SAFETY & OPERATION DECALS

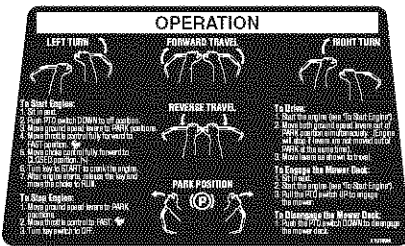
This unit has been designed and manufactured to provide you with the safety and reliability you would expect from an industry leader in outdoor power equipment manufacturing.

Although reading this manual and the safety instructions it contains will provide you with the necessary basic knowledge to operate this equipment safely and effectively, we have placed several safety labels on the unit to remind you of this important information while you are operating your unit.

All DANGER, WARNING, CAUTION and instructional messages on your rider and mower should be carefully read and obeyed. Personal bodily injury can result when these instructions are not followed. The information is for your safety and it is important! The safety decals below are on your rider and mower.

If any of these decals are lost or damaged, replace them at once. Contact a Sears Parts & Service Center for replacements.

These labels are easily applied and will act as a constant visual reminder to you, and others who may use the equipment, to follow the safety instructions necessary for safe, effective operation.



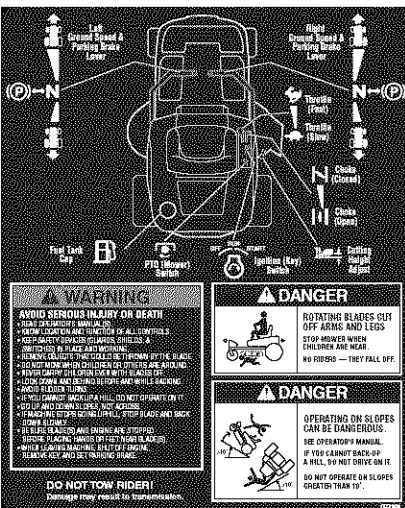
**Decal - Operation, Upper**  
Part No. 1727855



**Decal - Ignition Switch**  
Part No. 1726526



**Decal - Transmission Release Valve**  
Part No. 1720543



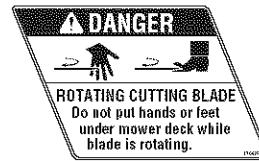
**Decal - Danger/Warning, Lower**  
Part No. 1727856



**Decal - Cutting Height Adjustment**  
Part No. 1726642

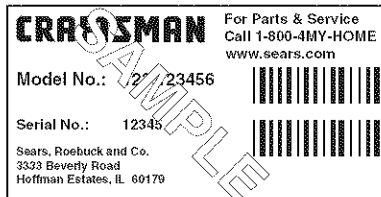


**Decal - Danger, Rotating Blades**  
Part No. 1704277



**Decal - Danger, Rotating Blades**  
Part No. 1704276

# IDENTIFICATION NUMBERS



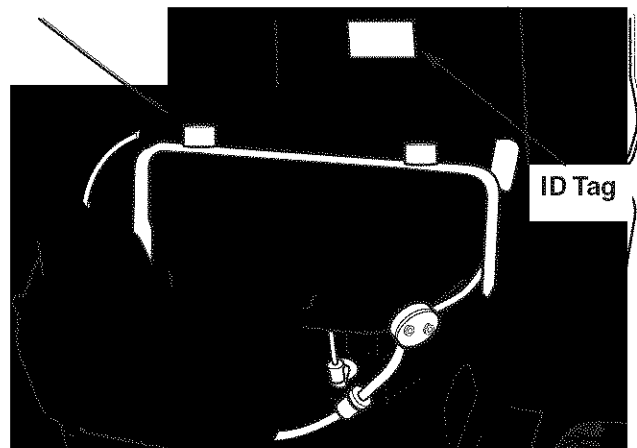
When contacting the service center for replacement parts, service, or information you **MUST** have these numbers.

Record your model name/number, manufacturer's identification numbers, and engine serial numbers in the space provided for easy access.

The identification tag is located on the underside of the seat. Tilt the seat forward to access the ID tag.

For answers to your questions about this product, call: 1-800-659-5917

Sears Craftsman Help Line, 5 am - 5 pm, Monday-Saturday.



PRODUCT REFERENCE DATA	
Model Description Name/Number	
Stock Number	Unit Serial Number
Date Purchased	
ENGINE REFERENCE DATA	
Engine Make	Engine Model
Engine Type/Spec	Engine Code/Serial Number

# OPTIONAL ACCESSORIES

- Two Bin Bagger
- Headlight Kit
- Front Bumper Kit

# LITERATURE PACKAGE CONTENTS

## Setup Instructions - English

**Setup**  
In 6 Easy Steps:

- 1. Read The Operator's Manual**  
Read the operator's manual before starting the engine. It contains important information about the machine's operation, safety, and maintenance.
- 2. Check The Fuel Tank**  
Check the fuel tank for leaks and ensure the fuel is fresh. The fuel tank should be filled with unleaded gasoline.
- 3. Plug In The PSEEN**  
Plug in the PSEEN (Personal Safety Equipment) and ensure it is properly secured.
- 4. Charge The Battery**  
Charge the battery for at least 24 hours before starting the engine. The battery should be fully charged before use.
- 5. Check The Pressure**  
Check the tire pressure and ensure it is set to the correct level. The correct tire pressure is listed in the operator's manual.
- 6. Start The Engine**  
Start the engine and ensure it is running smoothly. If the engine does not start, refer to the troubleshooting section.

**Troubleshooting**  
If the engine does not start, check the battery, fuel, and spark plug. If the engine still does not start, contact your dealer for assistance.

## Setup Instructions - Spanish

**Setup**  
In 6 Easy Steps:

- 1. Leer El Manual Del Operador**  
Lea el manual del operador antes de encender el motor. Contiene información importante sobre el funcionamiento, la seguridad y el mantenimiento de la máquina.
- 2. Revisar El Tanque De Combustible**  
Revisar el tanque de combustible por fugas y asegurarse de que el combustible sea fresco. El tanque debe estar lleno de gasolina sin plomo.
- 3. Conectar El PSEEN**  
Conectar el PSEEN (Equipo de Seguridad Personal) y asegurarse de que esté correctamente asegurado.
- 4. Cargar La Batería**  
Cargar la batería durante al menos 24 horas antes de encender el motor. La batería debe estar completamente cargada antes de usarla.
- 5. Verificar La Presión**  
Verificar la presión de los neumáticos y asegurarse de que estén ajustados al nivel correcto. La presión correcta de los neumáticos se encuentra en el manual del operador.
- 6. Encender El Motor**  
Encender el motor y asegurarse de que funcione correctamente. Si el motor no enciende, consulte la sección de solución de problemas.

**Troubleshooting**  
Si el motor no enciende, revise la batería, el combustible y la bujía. Si el motor aún no enciende, contacte a su distribuidor para obtener asistencia.

## Operator's Manual & Parts Book - English/Spanish

**Operator's Manual**  
**CRAFTSMAN**  
ZT 7000  
Zero-Turn Mower Rider  
52" x 48" Mower  
Electric Start

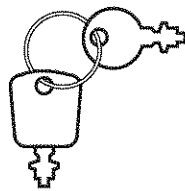


Model No. ZT7000

**CAUTION:** Before using this product, read and understand the label and safety information on the product.

For more information, please contact your dealer or contact:  
1-800-950-9617  
Or visit our website at [www.craftsman.com](http://www.craftsman.com)

South Bend, IN 46601, Harbor Freight Tools, P.O. Box 107, E.S.A.  
©2010 Harbor Freight Tools, a Division of Sears, Roebuck and Company

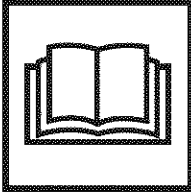


Keys



# PRE-OPERATION

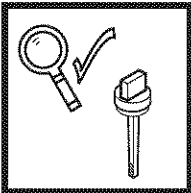
1.



## Read The Operator's Manual

- Read the operator's manual.
- You should always read and follow the instructions in the operator's manual. Proper care, performance tips, and safety information is located in this important document.

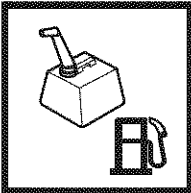
2.



## Always Check the Oil Level

- Check the engine oil level.
- The engine in your tractor has been shipped, from the factory, already filled with oil for use during the engine break-in period. Always check the oil level before starting the engine.

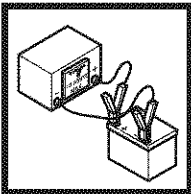
3.



## Fill-Up with FRESH Gasoline

- Fill the tank with fresh fuel.
- The single most common service issue is stale or contaminated fuel! Fuel should not be more than 30 days old. Use fuel stabilizer to extend the life of your fuel, and always store fuel in an approved, sealed, plastic gas can. Stale fuel clean-out is not covered under your warranty.

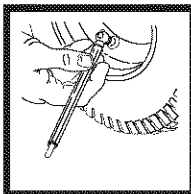
4.



## Charge The Battery

- Lift the seat deck to access the battery. If the unit is put into service after the month and year indicated on the battery date tag (located on top of battery) charge the battery for one hour at 6-10 amps. Refer to the SERVICE & ADJUSTMENTS section of the operator's manual for battery charging information.

5.



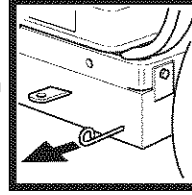
## Check Tire Pressure

- Reduce the tire pressures to the pressures shown below. Tires are over-inflated for shipping purposes, and must be set to the correct pressures for optimum traction.

Rear Tire Pressure: 10-12 PSI

Front Tire Pressure: 18-20 PSI

6.

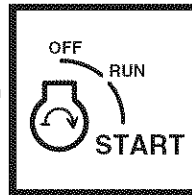


## Push Unit Off Crate

To push the unit off the crate:

- Set BOTH transmission release levers to PUSH position by pulling the levers back (levers are located at the rear of the rider).
- Cut the steel banding securing rider to pallet (6 bands).
- Move the ground speed control levers in to DRIVE positions.
- Set the mower cutting height to its highest setting.
- Fold the cardboard used to crate the unit in half, and place it under the front wheels of the unit.
- Push the unit forward off the crate.
- Set the transmission release valve levers back to DRIVE positions (levers pushed in).

7.



## Start The Engine

To start the engine:

- While sitting in the operator's seat, place the ground speed control levers in PARK (levers out). Make sure the yellow PTO switch is OFF.
- Move the engine throttle control fully forward to FAST.
- Set the choke control to CLOSED

*NOTE: A warm engine may not require choking. In this case, set the choke control to OPEN.*

- Insert the key into the ignition switch and turn it to START.
- After the engine starts, gradually move the choke control to OPEN position. Warm the engine by running it for at least a minute before turning on the PTO switch, or driving the unit.
- **After warming the engine, ALWAYS operate the unit with the throttle set to FAST position when mowing.**
- See the OPERATION section for driving information.

# OPERATION

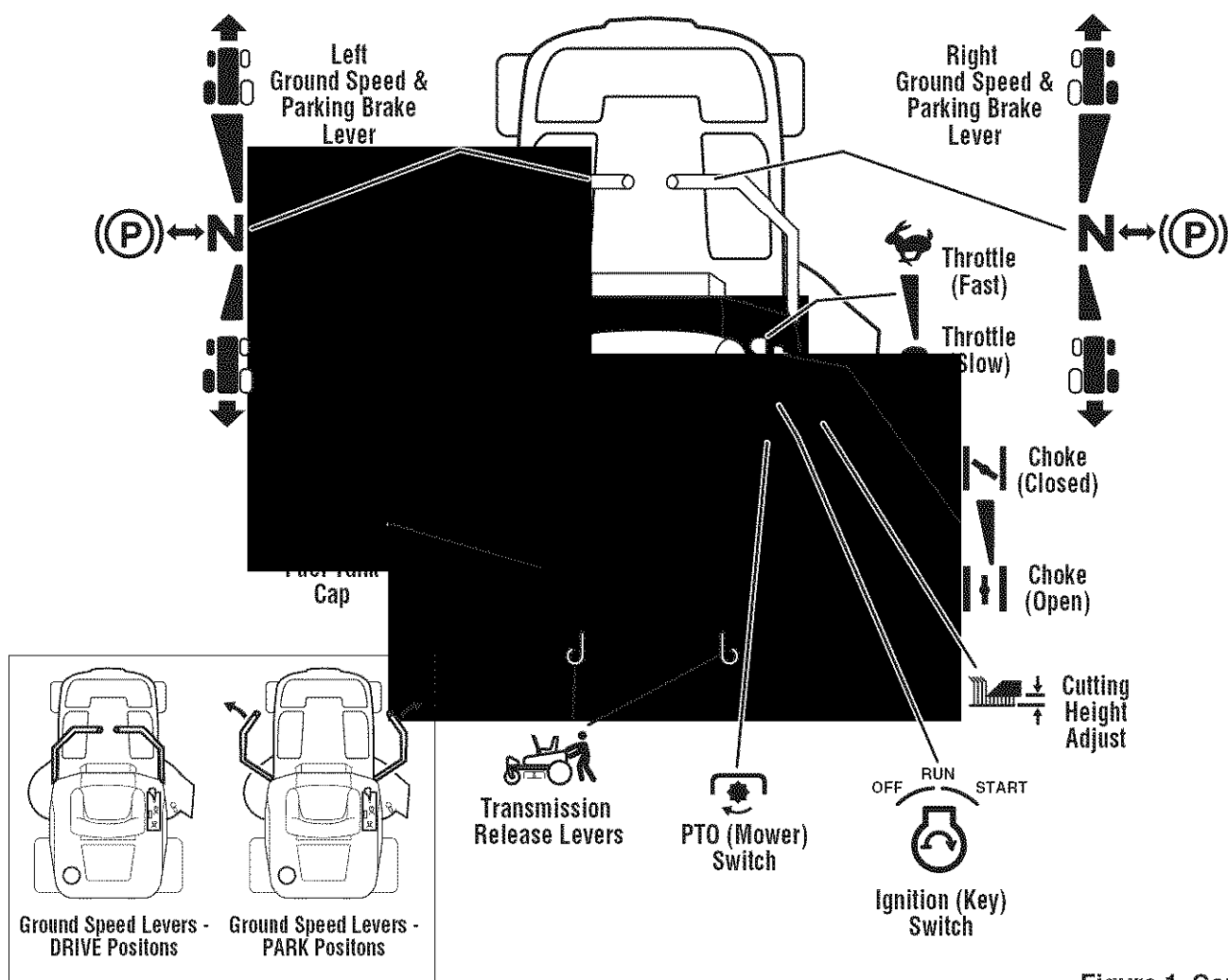


Figure 1. Controls

## CONTROL FUNCTIONS

The information below briefly describes the function of individual controls. Starting, stopping, driving, and mowing require the combined use of several controls applied in specific sequences. To learn what combination and sequence of controls to use for various tasks please read the entire section.



### Ground Speed Levers / Parking Brake

These levers control the ground speed and parking brake of the rider. The left lever controls the left rear drive wheel and the right lever controls the right rear drive wheel and parking brake.

Pushing the levers out, away from the operator's lap locks the parking brake in PARK position (inset, Figure 1). Pulling the levers in across the operator's lap puts the levers in DRIVE positions.

From DRIVE position, moving a lever forward increases the FORWARD speed of the associated wheel. Pulling back on a lever increases the REVERSE speed. The further a lever is pushed, the faster the drive wheel will turn.

See DRIVING PRACTICE for steering instructions.



### Throttle Control

The throttle controls engine speed. Always operate at FULL throttle when mowing. Move the lever forward to the detent for FULL throttle (FAST). Move the throttle back to decrease engine speed to IDLE (SLOW).



### Choke

Close the choke for cold starting. Open the choke once the engine starts. A warm engine may not require choking. Move the lever forward to close the choke. Move the lever back to open the choke.



## Mower Height of Cut Adjustment

To adjust cutting height, rotate the turn crank clockwise to raise the mower deck and counterclockwise to lower the mower deck.



## Ignition Switch

The ignition switch starts and stops the engine; it has three positions:

- OFF** Stops the engine and shuts off the electrical system.
- RUN** Allows the engine to run and powers the electrical system.

**START** Cranks the engine for starting.

*NOTE: Never leave the ignition switch in the RUN position with the engine stopped. This drains the battery.*



## Hour Meter

The hour meter measures the number of hours the key has been in the RUN position.

*NOTE: The hour meter will register the passage of time when the key is in the RUN position, even if the engine is not running.*



## PTO Switch

The PTO (Power Take-Off) switch engages and disengages the mower deck. To turn the mower on, pull the switch UP. Push the switch DOWN to turn the mower off. Note that the operator must be seated firmly in the rider seat for the PTO to function.



## Transmission Release Levers

The transmission release levers deactivate the transmissions so that the unit can be pushed by hand. See PUSHING THE UNIT BY HAND for operational information.



## Fuel Tank

To remove the cap, turn counterclockwise.

---

## GENERAL OPERATING SAFETY

Before first time operation:

- Be sure to read all information in the Safety and Operation sections before attempting to operate this rider and mower.
- Become familiar with all of the controls and how to stop the unit.
- Drive in an open area without mowing to become accustomed to driving the unit.

## WARNING

**If you do not understand how a specific control functions, or have not yet thoroughly read the CONTROL FUNCTIONS section, do so now. Do NOT attempt to operate the rider without first becoming familiar with the location and function of ALL controls.**

## CHECKS BEFORE STARTING

- Check that the crankcase oil is filled to full mark on dipstick.
- Fill the fuel tank with fresh fuel.

## FUEL RECOMMENDATIONS

**For daily operation:** Use only unleaded gasoline with a pump sticker octane rating of 87 or higher. Gasohol (up to 10% ethyl alcohol, 90% unleaded gasoline by volume) is approved as a fuel. Methyl Tertiary Butyl Ether (MTBE) and unleaded gasoline blends (up to a maximum of 15% MTBE by volume) are approved as a fuel. No other gasoline/alcohol or gasoline/ether blends are approved. Do not use fuel additives other than fuel stabilizer.

**For storage:** CAUTION: Alcohol blended fuels (called gasohol or using ethanol or methanol) can attract moisture which leads to separation and formation of acids during storage. Acidic gas can damage the fuel system of an engine while in storage.

To avoid engine problems always use fuel stabilizer, especially before storage of 30 days or longer. Use fresh fuel next season. See STORAGE instructions for additional information.

Never use engine or carburetor cleaner products in the fuel tank or permanent damage may occur. To add fuel:

1. Remove the fuel cap (B, Figure 2).
2. Fill the tank. Do not overfill. Leave room in the tank for fuel expansion.
3. Install and hand tighten the fuel cap.

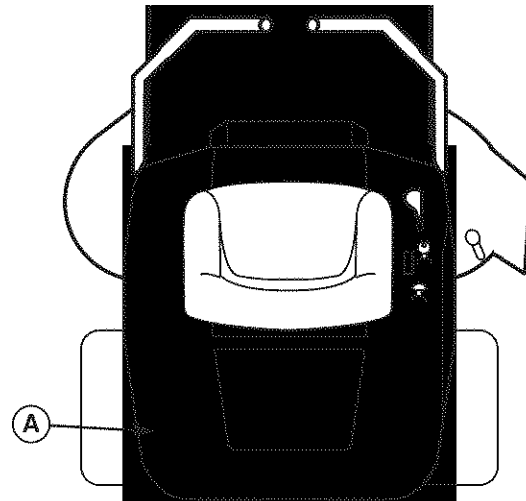


Figure 2. Pre-Start Checks  
A. Fuel Tank Cap

### WARNING

Never operate on slopes greater than 17.6 percent (10°) which is a rise of 3-1/2 feet (106 cm) vertically in 20 feet (607 cm) horizontally.

Select slow ground speed before driving onto a slope. Use extra caution when operating on slopes with a rear-mounted grass catcher.

Mow across the of slopes, not up and down. Use caution when changing directions and **DO NOT START OR STOP ON A SLOPE.**

### WARNING

Never allow passengers to ride on the unit.

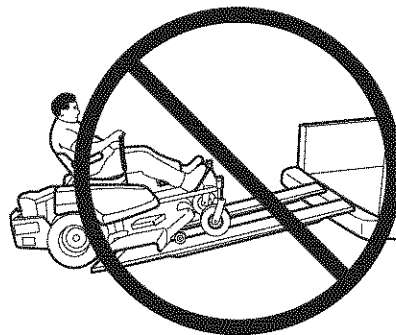
Before leaving the operator's position for any reason, engage the parking brake, disengage the PTO, stop the engine and remove the key.

To reduce fire hazard, keep the engine, rider and mower free of grass, leaves and excess grease. Do not stop or park rider over dry leaves, grass or combustible materials.

Gasoline is highly flammable and must be handled with care. Never fill the tank when the engine is still hot from recent operation. Do not allow open flame, smoking or matches in the area. Avoid over-filling and wipe up any spills.

### WARNING - TRAILERS

Do not load this zero-turn rider on a trailer or truck using two separate ramps. Only use a single ramp that is at least one foot wider than the width of the rear wheels of this rider. This rider has a zero turning radius and the wheels could fall off the ramps, or the rider could tip over injuring the operator or bystanders.



## EMERGENCY STOPPING

In the event of an emergency the engine can be stopped by simply turning the ignition switch to STOP. Use this method only in emergency situations. For normal engine shut down follow the procedure given in STOPPING THE RIDER AND ENGINE.

## STOPPING THE RIDER & ENGINE

1. Returning the ground speed control levers to PARK positions will stop rider movement and engage the parking brake.
2. Stop the mower by pushing down on the PTO switch.
3. **Briggs & Stratton Models:** Move the throttle control to SLOW position and turn the ignition key to OFF. Remove the key.

**Kohler Models:** Move the throttle control to FAST position and turn the ignition key to OFF. Remove the key.

## STARTING THE ENGINE

1. While sitting in the operator's seat, make sure the PTO switch is OFF and the ground speed control levers are locked in PARK positions.
2. Move the engine throttle control fully forward to FAST. Set the choke control to CLOSED.

*NOTE: A warm engine may not require choking. In this case, set the choke control to OPEN.*

3. Insert the key into the ignition switch and turn it to START.
4. After the engine starts, gradually move the choke control back to OPEN position. Warm the engine by running it for at least a minute before turning on the PTO switch, or driving the unit.
5. **After warming the engine, ALWAYS operate the unit with the throttle set to FAST, especially when mowing.**

## MOWING

1. Make sure the PTO switch is OFF, the ground speed control levers are locked in their PARK positions, and the operator is in the seat.
2. Set the mower cutting height to the desired setting.
3. Start the engine (see STARTING THE ENGINE).
4. Set the throttle to FAST.
5. Turn the PTO switch ON to engage the mower deck.
6. Move the ground speed control levers from PARK positions to drive positions (levers in across the operator's lap).

7. Begin mowing. See DRIVING PRACTICE.
8. When finished, turn the PTO switch OFF.
9. Stop the engine (see STOPPING THE RIDER AND ENGINE).

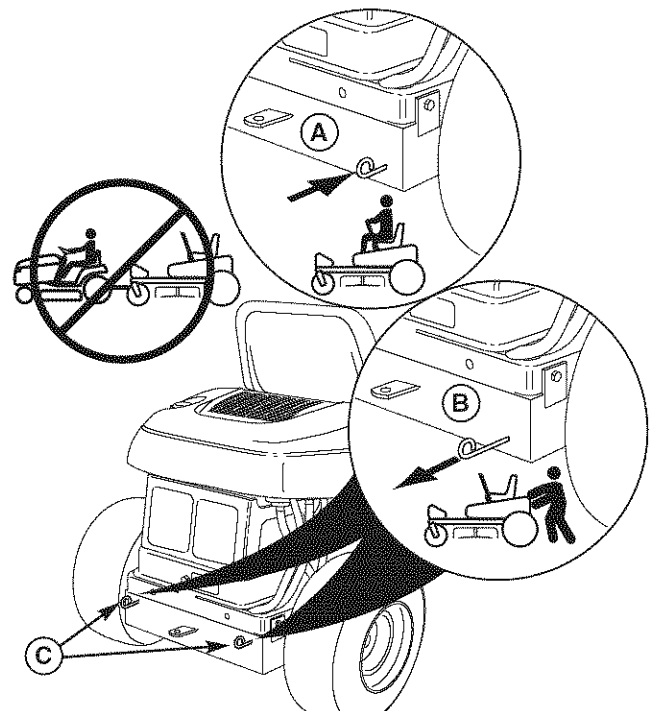
## PUSHING THE RIDER BY HAND

1. Turn the PTO switch OFF, set the ground speed control levers to PARK, turn the ignition switch OFF, remove the key, and wait for all moving parts to stop.
  2. Locate the transmission release levers (C, Figure 3) at the rear of the unit.
  3. Pull **both** levers back and down to release the transmissions (position B, Figure 3).
  4. Set the ground speed control levers to DRIVE positions (levers moved in).
- The rider can now be pushed by hand.
5. After moving the rider, set the ground speed control levers to PARK and push **both** transmission release levers forward to re-engage the transmissions (position A, Figure 3).



### DO NOT TOW RIDER

Towing the unit will cause transmission damage. Do not use another vehicle to push or pull this unit.



**Figure 3. Transmission Release Levers**

**A. Drive Position**

**B. Push Position**

**C. Transmission Release Levers**

## DRIVING PRACTICE - BASIC DRIVING

**WARNING:** Never operate on slopes greater than 17.6% (10°). See SLOPE OPERATION in the safety section. Zero turn riders operate differently from other four-wheeled vehicles. The drive wheels are also your steering wheels. If you cannot drive the unit on a hill, you will not be able to steer the unit on it. Operating zero turn units on slopes requires extra caution.

The lever controls of the zero turn rider are very responsive, and learning to gain a smooth and efficient control of the rider's forward, reverse, and turning movements will take some practice.

Spend some time going through the following maneuvers and becoming familiar with how the unit accelerates, travels, and steers — before you begin mowing — is absolutely essential to getting the most out of the zero turn rider.

**Locate a smooth, flat area of your lawn** — one with plenty of room to maneuver. (Clear the area of objects, people and animals before you begin.) Operate the unit at mid-throttle during this practice session (ALWAYS operate at full throttle when mowing), and turn slowly to prevent tire slippage and damage to your lawn.

We suggest you begin with the Smooth Travel procedure to the right, and then advance through the forward, reverse, and turning maneuvers.

### **! WARNING**

**Do not mow in reverse unless absolutely necessary. Always look down and behind before and while travelling in reverse.**

#### Forward Travel

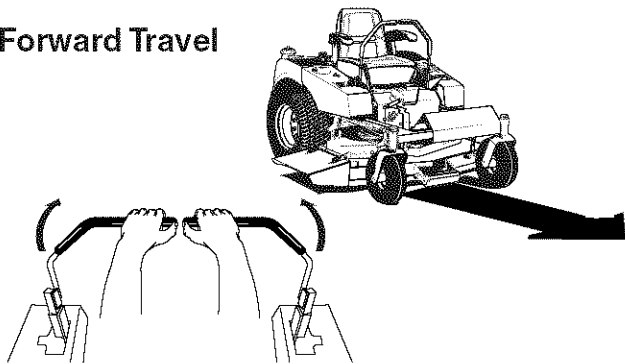


Figure 5. Forward Travel

#### Smooth Travel

The lever controls of the zero turn rider are highly responsive.

The BEST method of handling the ground speed control levers is in three steps — as shown in Figure 4.

FIRST place your hands onto the levers as shown.

SECOND, to go forward gradually push the levers forward with your palms.

THIRD, to speed up move the levers farther forward. To slow down smoothly, slowly move the levers back toward neutral.

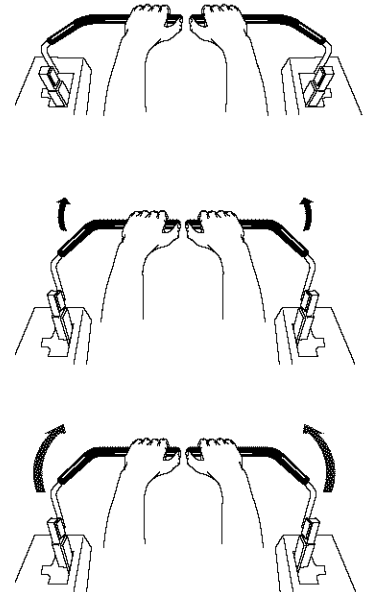


Figure 4. Move Control Levers Gradually

#### Forward Travel Practice

Gradually move both ground speed control levers evenly FORWARD from neutral. Slow down and repeat.

#### Reverse Travel Practice

LOOK DOWN & BEHIND, then gradually move both ground speed control levers evenly BACK from neutral. Slow down and repeat.

*NOTE: Practice backing up for several minutes before attempting to do so near objects. The rider turns as sharply in reverse as when going forward, and backing up straight takes practice.*

#### Reverse Travel

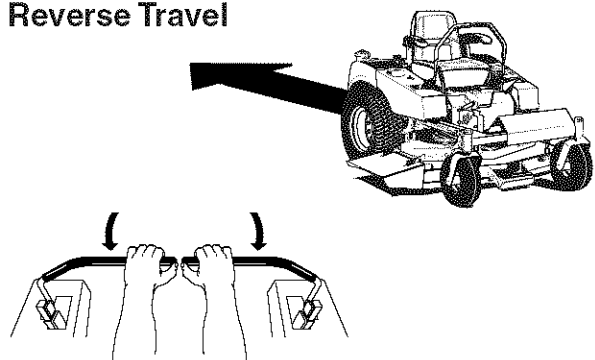


Figure 6. Reverse Travel

## Practice Turning Around a Corner

While traveling forward allow one handle to gradually return back toward neutral. Practice several times before mowing.

*NOTE: To prevent damaging your lawn by pivoting directly on the tire tread, it is best to keep both wheels going at least slightly forward.*

### Executing Turns

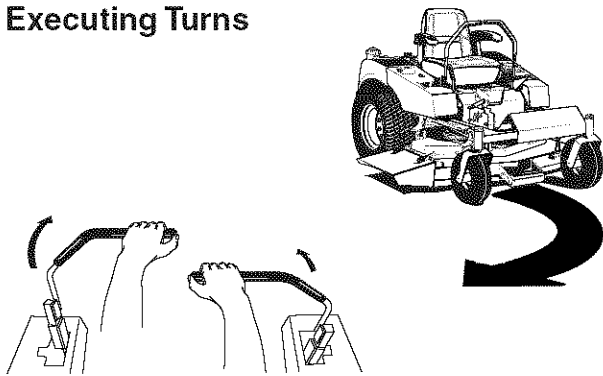


Figure 7. Right Turn

## Practice Turning In Place

To “zero turn” means to turn in place. To turn in place, gradually move one ground speed control lever forward from neutral and one lever back from neutral simultaneously. Repeat several times.

### Turning In Place

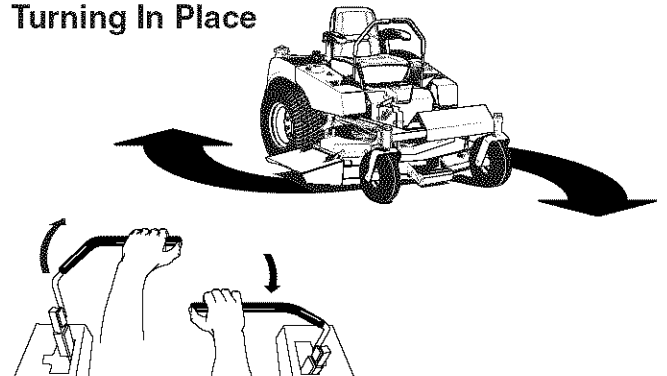


Figure 8. Turning in Place

## ADVANCED DRIVING

---

### Executing an End-Of-Row Zero Turn

Your zero turn rider’s unique ability to turn in place allows you to turn around at the end of a cutting row rather than having to stop and make a Y-turn before starting a new row.

For example, to execute a right end-of row zero turn:

1. Slow down at the end of the row.
2. Move the LEFT ground speed control lever forward slightly while moving the RIGHT ground speed control lever back to center and then slightly back from center.
3. Begin mowing forward again.

This technique turns the rider RIGHT and slightly overlaps the row just cut —eliminating the need to back up and re-cut missed grass.

*As you become more familiar and experienced with operating the zero turn rider, you will learn more maneuvers that will make your mowing time easier and more enjoyable.*

**Remember, the more you practice, the better your control of the rider will be!**

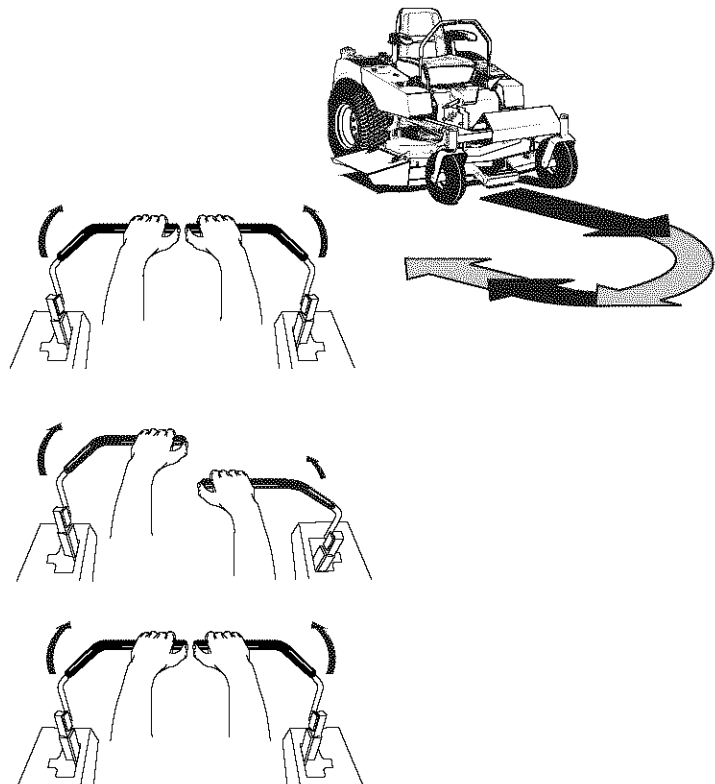


Figure 9. Executing an End-Of-Row Turn

## MOWER DECK REMOVAL & INSTALLATION

*NOTE: Perform mower removal and installation on a hard, level surface such as a concrete floor.*

### **⚠ WARNING**

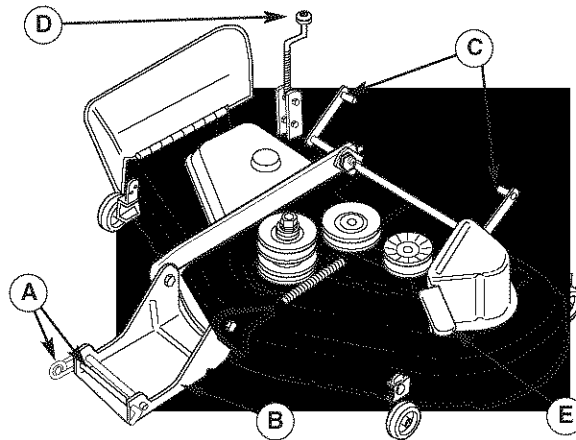
Engage parking brake, disengage PTO, stop engine and remove key before attempting to install or remove the mower.

### Removing the Mower Deck

1. Turn the PTO off, put the control levers in PARK position, turn the ignition OFF, remove the key, and wait for all moving parts to stop.
2. Pivot the rider's front wheels forward.
3. Place the cutting height adjustment crank (D, Figure 10) in the lowest cutting position.
4. Release tension on the drive belt using the mower belt release lever (E, Figure 10) and remove the drive belt from the engine pulley.
5. Disconnect the front hitch by removing the hitch rod and clip (A, Figures 10 & 11), and lifting the mower hitch (B) up and off the rider hitch bracket (D).
6. Slide the mower deck forward until the rear mower supports (C) disengage the frame of the rider.
7. Slide the mower deck out from under the right side of the rider.

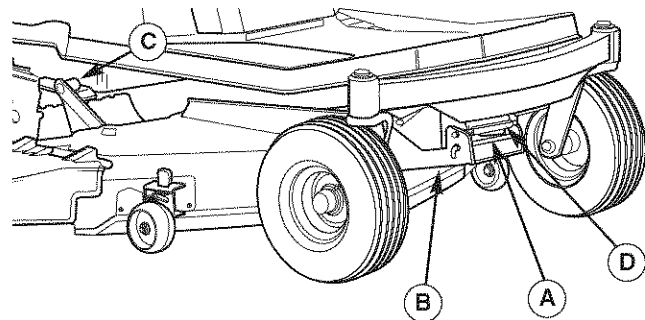
### Installing the Mower Deck

1. Pivot the rider's front wheels forward.
2. Place the cutting height adjustment crank (D, Figure 10) in the lowest cutting position.
3. Slide the mower deck under the right side of the rider. Slide the mower backwards making sure that the rear mower supports (C, Figure 11) slide up the ramps on the frame. The rear of the mower is supported by these frame ramps.
4. Hang the mower hitch (B, Figure 11) on the rider hitch bracket (D) and secure with the hitch rod and clip (A).
5. Use the mower belt release lever (E, Figure 12) to release tension on the mower idler pulley, and install the drive belt as shown in Figure 12.



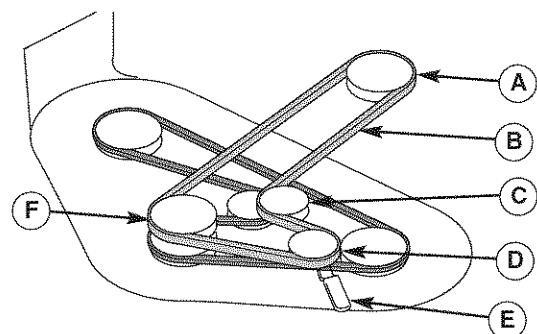
**Figure 10. Mower Components**

- A. Hitch Rod and Clip
- B. Mower Hitch
- C. Rear Mower Supports
- D. Cutting Height Adjustment Crank
- E. Mower Belt Release Lever



**Figure 11. Mower Hitch Components**

- A. Hitch Rod and Clip
- B. Mower Hitch
- C. Rear Mower Supports
- D. Rider Hitch Bracket



**Figure 12. Mower Belt Routing**

- A. Engine Pulley
- B. Mower Drive Belt
- C. Back-Side Idler Pulley
- D. V-Idler Pulley
- E. Mower Belt Release Lever
- F. Mower Drive Pulley



# MAINTENANCE

## MAINTENANCE SCHEDULE

The following schedules should be followed for normal care of your rider and mower.

<b>RIDER MAINTENANCE, All Models</b>	<b>Before Each Use</b>	<b>Spring &amp; Fall</b>	<b>8 Hours</b>	<b>25 Hours</b>	<b>100 Hours</b>	<b>200 Hours</b>	<b>Yearly</b>
Clean Debris from Rider and Engine Compartment *	•						
Clean Debris from Engine Cooling Areas & Air Filter *	•						
Check Tire Pressure				•			
Lubricate Rider & Mower *				•			
Clean Deck & Check/Replace Mower Blades				•			
Clean Battery & Cables					•		
<b>Check Rider Safety System **</b>		•			•		•
Check / Adjust PTO Clutch						•	

<b>ENGINE MAINTENANCE, 20HP Kohler</b>	<b>8 Hours or Daily</b>	<b>25 Hours or 2 Months</b>	<b>100 Hours or Annually</b>	<b>200 Hours or 2 Years</b>	<b>200 Hours</b>	<b>500 Hours</b>
Check Engine Oil Level *	•					
Check Air Cleaner & Intake *	•					
Check/Clean Cooling Fins & Intake *	•					
Service Air Filter *		•				
Change Oil & Filter *			•			
Remove Shroud, Clean Cooling Fins *			•			
Replace Fuel Filter †			•			
Check & Re-Gap / Replace Spark Plug				•		•
Service Starter Drive, Check & Adjust Valve Clearance †					•	

<b>ENGINE MAINTENANCE, 22HP Briggs &amp; Stratton</b>	<b>8 Hours or Daily</b>	<b>25 Hours or Every Season</b>	<b>50 Hours or Every Season</b>	<b>100 Hours or Every Season</b>	<b>200 Hours or Every Season</b>	<b>Yearly</b>
Check Engine Oil Level *	•					
Service Air Pre-Cleaner *		•				
Change Oil *			•			
Service Air Filter *			•			
Change Oil & Filter *				•		
Clean Cooling Fins *				•		
Replace Air Filter *					•	
Replace Spark Plugs						•
Replace Fuel Filter †						•
Check Valve Clearance †						•

\* More often in hot (over 85° F: 30° C) weather or dusty operating conditions.

\*\* Check the function of the safety system after the unit has been stored for 30 days or longer.

† These services should be performed by Sears or other qualified service dealer.

## Rider Maintenance Items

### CLEAN DEBRIS FROM RIDER AND ENGINE COMPARTMENT

**Service Interval:** Before each use.

**CAUTION:** If debris is not removed from the engine compartment and other hot surfaces, it creates a fire hazard. Before starting the unit at the beginning of the mowing session, remove any grass clippings, dirt, leaves, or other debris from the unit. Also clean out the engine compartment.

### CLEAN DEBRIS FROM ENGINE COOLING AREAS AND AIR FILTER

**Service Interval:** Before each use.

**CAUTION:** If debris is not removed from the engine compartment and other hot surfaces, it creates a fire hazard. Before starting the unit at the beginning of the mowing session, lift the seat deck and clean any debris from the intake screen on top of the engine (A, Figure 13), exposed engine cooling fins, and around the air filter assembly. Also open the air filter cover (B) and remove any debris that has accumulated in the air filter compartment.

### CHECK TIRE PRESSURE

**Service Interval:** 25 Hours.

Tire pressure should be checked periodically, and maintained at the levels shown in Figure 14. Note that these pressures may differ slightly from the "Max Inflation" stamped on the side-wall of the tires. The pressures shown provide proper traction, improve cut quality, and extend tire life.

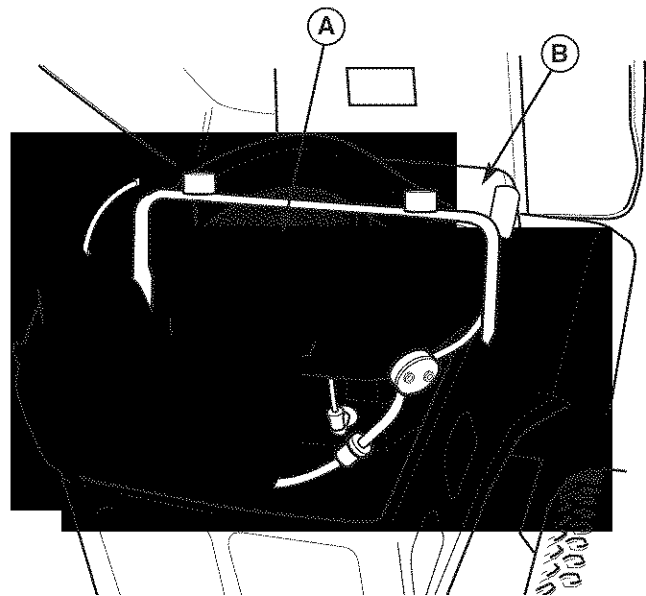
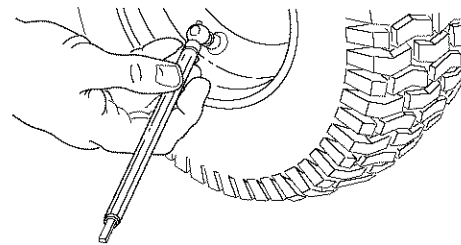


Figure 13. Engine Compartment

- A. Intake Screen
- B. Air Filter Cover



Tire	Pressure
Front	18-20 psi (1,24-1,38 bar)
Rear	10-12 psi (.69-.83 bar)

Figure 14. Tire Pressures

# LUBRICATION

**Service Interval:** 25 hours.

Lubricate the unit at the locations shown in Figures 15 through 17 as well as the following lubrication points.

**Grease:**



- front wheel grease fittings
- front wheel bushings
- mower pivots
- mower arbors

Use grease fittings when present.

Not all greases are compatible. Use automotive-type lithium grease.

**Oil:**



- rear frame assembly pivot
- hydro linkage
- brake linkage
- frame pivot points
- mower deck height adjustment linkage
- brake linkage

Generally, all moving metal parts should be oiled where contact is made with other parts. Keep oil and grease off belts and pulleys. Remember to wipe fittings and surfaces clean both before and after lubrication.

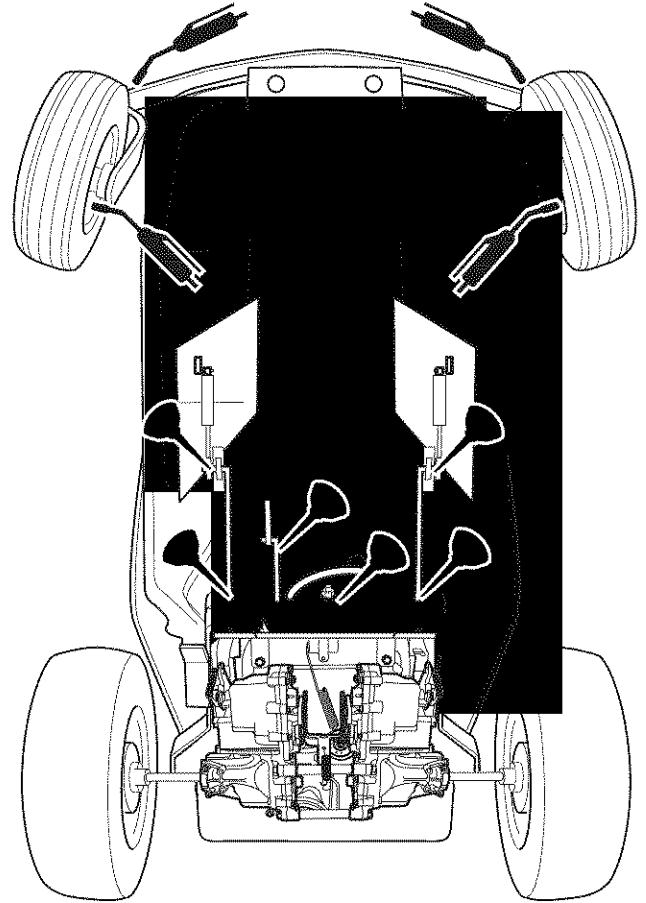


Figure 15b. Lubricating Rider

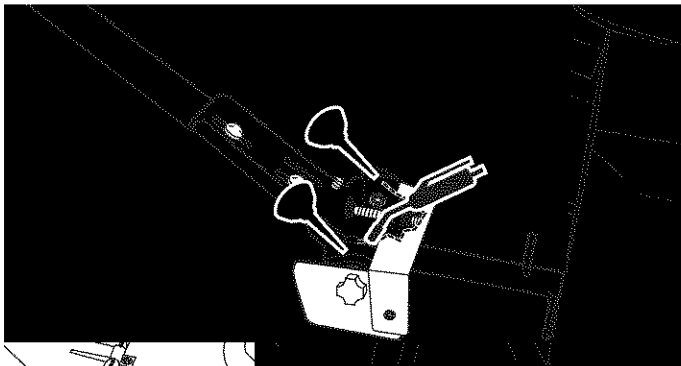


Figure 15a. Lubricating Rider

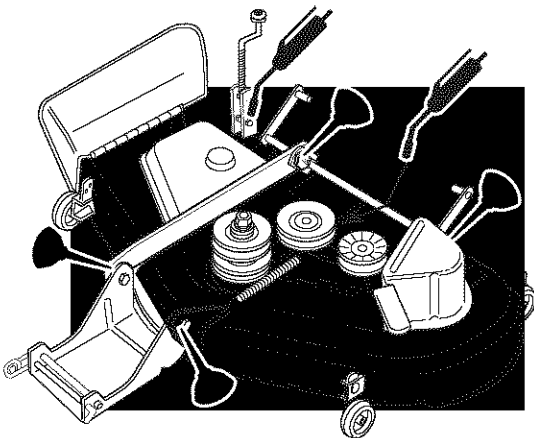


Figure 16. Mower Lubrication

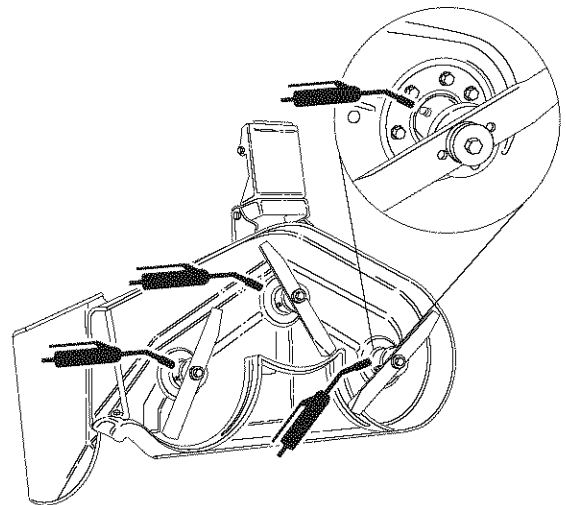


Figure 17. Arbor Lubrication

## CLEAN DECK & CHECK / REPLACE MOWER BLADES

Service Interval: 25 hours or as required.

### **⚠ WARNING**

For your personal safety, do not handle the sharp mower blades with bare hands. Careless or improper handling of blades may result in serious injury.

### **⚠ WARNING**

For your personal safety, blade mounting capscrews must each be installed with a hex/spline washer and spring washer, then securely tightened. Torque blade mounting capscrew to 45 - 55 ft. lbs. (61 - 75 N.m.)

1. Remove mower deck (see "Mower Deck Removal" in the OPERATION section).
2. See Figure 18. Remove blade to inspect it or to safely access the underside of the mower deck. Use a block of wood to prevent blade rotation while loosening the capscrew by turning it counterclockwise.
3. Remove the capscrew (D, Figure 20), spring washer (C), hex washer (B), and blade.
4. Clean the underside of the mower deck.
5. Inspect the blades for nicks or dull edges. Use a file to sharpen blade to a fine edge. If the blade is damaged, it must be replaced.
6. Balance the blade as shown in Figure 19. Center the blade's hole on a nail lubricated with a drop of oil. A balanced blade will remain level. If the blade is not balanced, continue to sharpen the heavy side until it balances.
7. Reinstall the blade with the lift wings (E, Figure 20) pointing up toward the mower deck as shown.
8. Reinstall the hex washer (B, Figure 20), spring washer (C) and capscrew (D). Use a wooden block (A) to prevent blade rotation while tightening the capscrew (D) to 45-55 ft. lbs. (61-75 N.m). Turn capscrew clockwise to tighten.

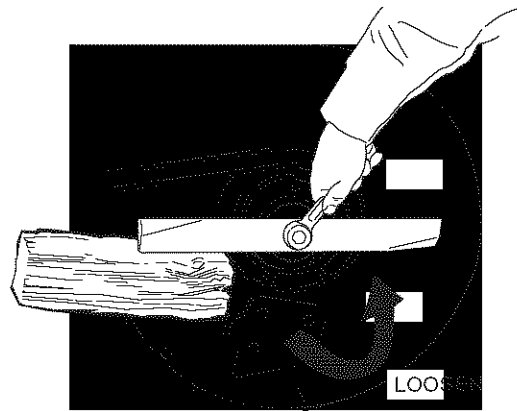


Figure 18. Blade Removal

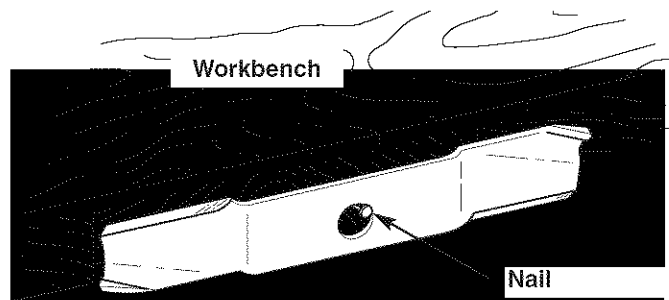


Figure 19. Balancing The Blade

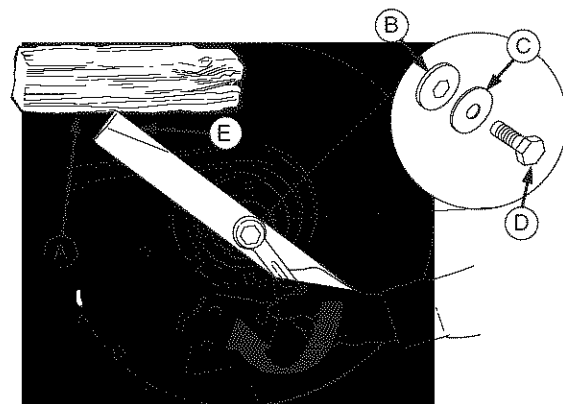


Figure 20. Blade Installation

- A. 4x4 Wood Block
- B. Hex Washer
- C. Spring Washer
- D. Blade Capscrew
- E. Lift Wings

## CLEANING THE BATTERY AND CABLES

### WARNING

Be careful when handling the battery. Avoid spilling electrolyte. Keep flames and sparks away from the battery.

When removing or installing battery cables, disconnect the negative cable **FIRST** and reconnect it **LAST**. If not done in this order, the positive terminal can be shorted to the frame by a tool.

Always wear safety glasses and gloves when handling batteries.

**Service Interval:** 100 Hours

1. Disconnect the cables from the battery, negative cable first (B, Figure 21).
2. Remove the rubber strap securing the battery, and remove the battery.
3. Clean the battery and battery compartment with a solution of baking soda and water.
4. Clean the battery terminals and cable ends with a wire brush until shiny.
5. Reinstall the battery and secure with the rubber strap.
6. Reattach the battery cables: first attach the positive cable (see A, Figure 21), then attach the negative cable (B).
7. Coat the cable ends and battery terminals with petroleum jelly or non-conducting grease.

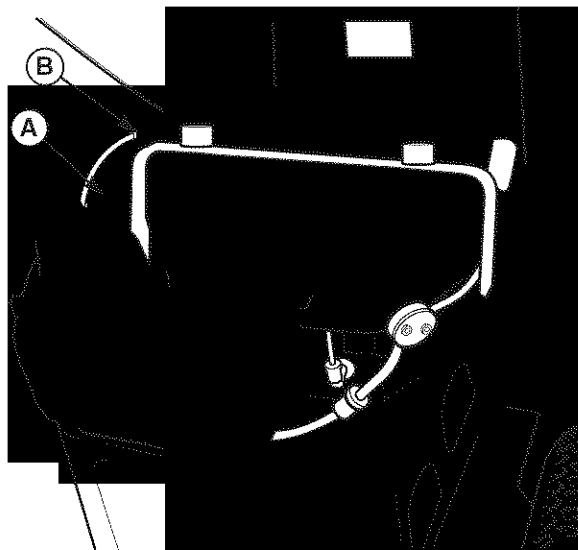


Figure 21. Engine Compartment  
A. Positive (+) Battery Cable  
B. Negative (-) Battery Cable



### CHECK RIDER SAFETY SYSTEM

**Service Interval:** Every 100 hours, every spring/fall, and after storage of 30 days or longer.

This unit is equipped with safety interlock switches. These safety systems are present for your safety. Do not attempt to bypass safety switches, and never tamper with safety devices. Check their operation regularly.

#### Operational SAFETY Checks

##### TEST 1 — ENGINE SHOULD NOT CRANK IF:

- PTO switch is ON, OR
- Ground speed control levers are not in their PARK positions.

##### TEST 2 — ENGINE SHOULD CRANK IF:

- PTO switch is OFF, AND
- Ground speed control levers are in their PARK positions.

##### TEST 3 — ENGINE SHOULD SHUT OFF IF:

- Operator rises off seat with the PTO ON, OR
- Operator rises off seat with the ground speed levers in DRIVE positions, OR
- Operator moves the left ground speed control lever out of its PARK position while leaving the right lever in park (both levers must be moved from PARK to DRIVE position simultaneously to avoid shutoff).

##### TEST 4 — BLADE BRAKE CHECK

The mower blades and mower drive belt should come to a complete stop within five seconds after the PTO switch is turned OFF. If mower drive belt does not stop within five seconds, contact a Sears Parts & Repair Center.

*NOTE: Once the engine has stopped, the PTO switch must be turned OFF and the ground speed control levers must be locked in their PARK positions in order to start the engine.*

### WARNING

If the unit does not pass a safety test, do not operate it. See a Sears Parts & Repair Center. Under no circumstance should you attempt to defeat the purpose of the safety interlock system.

## CHECK / ADJUST PTO CLUTCH

### WARNING

To avoid serious injury, perform adjustments only with engine stopped, key removed and tractor on level ground.

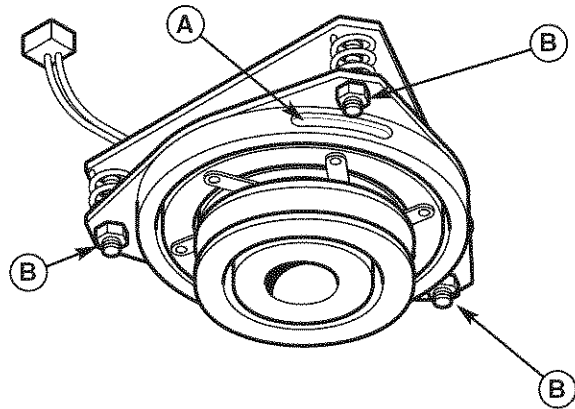
**Service Interval:** 200 Hours.

The PTO clutch is engaged and disengaged by the PTO switch. The clutch powers and brakes the mower blades. Check the PTO clutch adjustment every 200 hours of operation. Also perform the following procedure if the clutch is slipping, will not engage, or if a new clutch has been installed.

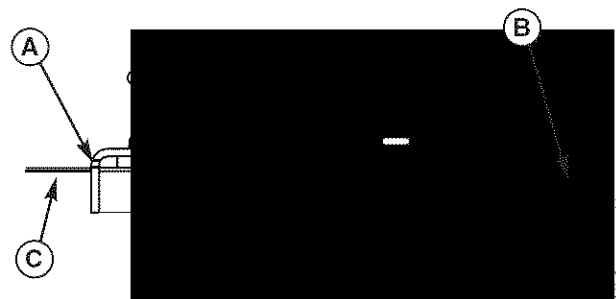
1. Remove key from ignition switch and disconnect spark plug wires to prevent the possibility of accidental starting while the PTO is being adjusted.
2. See Figure 22. Note the position of the 3 adjustment windows (A) in the side of the brake plate and the nylock adjustment nuts (B).
3. Insert a .012"-.015" (2,5-4mm) feeler gauge (C) through each window, positioning the gauge between the rotor face and the armature face as shown in Figure 23.
4. Alternately tighten the adjustment nuts (B, Figure 22) until the rotor face and armature face just contacts the gauge.
5. Check the windows for an equal amount of tension when the gauge is inserted and removed, and make any necessary adjustments by tightening or loosening the adjustment nuts.

*NOTE: The actual air gap between the rotor and armature may vary even after performing the adjustment procedure. This is due to dimensional variations on component parts, and is an acceptable condition.*

6. Check the mower blade stopping time. The mower blades and mower drive belt should come to a complete stop within five seconds after the electric PTO switch is turned off. If adjustment does not stop a mower braking problem, replace the electric PTO clutch.



**Figure 22. PTO Clutch Adjustment**  
A. Adjustment Window (Qty. 3, one shown)  
B. Adjustment Nut



**Figure 23. Adjust PTO Clutch**  
A. Window  
B. Adjustment Nut  
C. Feeler Gauge

# Engine Maintenance Items

## CHECK ENGINE OIL LEVEL - KOHLER MODELS

**Service Interval:** Before each use, and every 8 hours.

1. Turn the engine off, and set the ground speed controls to PARK. Park on a level surface. Allow the engine to cool.
2. Clean the area around the dip stick (C, Figure 25).
3. Remove the dip stick (C) and clean it with a paper towel.
4. Insert the dip stick back into the engine, and push firmly into place.
5. Remove the dip stick and read the oil level. The oil level should be between the “F” and “L” marks (D). If not, add oil according to the oil recommendations chart (Figure 24).

## CHANGE ENGINE OIL & FILTER - KOHLER MODELS

**Service Interval:** 100 Hours.

**Oil Capacity:** 1.6 Quarts (1.5L) with oil filter change.

*Note: Change engine oil while the engine is warm. Run the engine for a few minutes, then shut the engine off and allow it to cool.*

1. Clean the area around the dip stick (C, Figure 25) and oil drain (A).
2. Remove the oil drain plug (A) and dip stick (C). Allow ample time for complete drainage.
3. Remove the oil filter (B). Discard the filter.
4. Turn the new filter upside down and fill with fresh engine oil. Allow the oil to seep into the new filter for two minutes.
5. Using a drop of oil on your finger tip, wet the rubber gasket on the bottom of the new filter.
6. Dump the oil out of the filter and install the filter on the filter base. Turn the filter clockwise until the rubber gasket meets the filter base. Then turn 2/3 to 1 full turn more.
7. Reinstall the oil drain plug (A) and route the oil drain hose along side the engine.
8. Fill the crankcase with oil. See CHECK ENGINE OIL LEVEL above.
9. Test run the engine to check for leaks. Stop the engine for 1 minute, then recheck the oil level.

Use oil classified API Service Class SG, SH, SJ or better with SAE Viscosity:

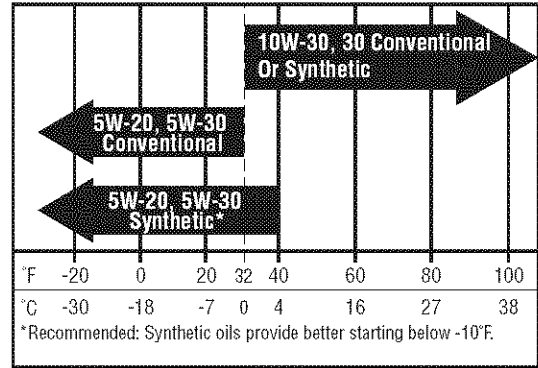


Figure 24. Recommended Engine Oil - Kohler Models

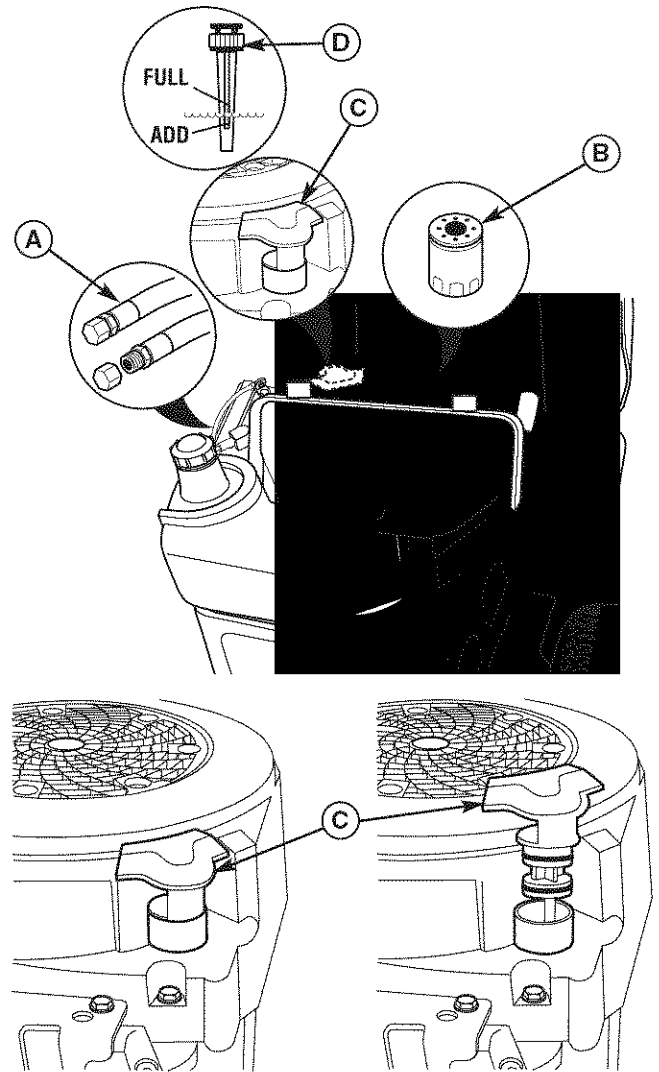


Figure 25. Oil Change - Kohler Models  
A. Oil Drain Tube  
B. Oil Filter  
C. Dip Stick  
D. Checking Oil Level

## REPLACE AIR FILTER - KOHLER MODELS

**Service Interval:** Every 25 hours or two months, or as required.

1. Loosen the air filter cover knobs (A, Figure 26) and remove the cover (B). Clean out any debris from around the air filter. Inspect the condition of the sealing surfaces of the air filter element (C) and filter base (D). Replace any damaged parts.
2. Remove the air filter element (C).
3. Install the new air filter element with the pleated side out and seat it onto the edges of the air cleaner base (D).
4. Reinstall the air filter cover (B) and secure with the two knobs (A).

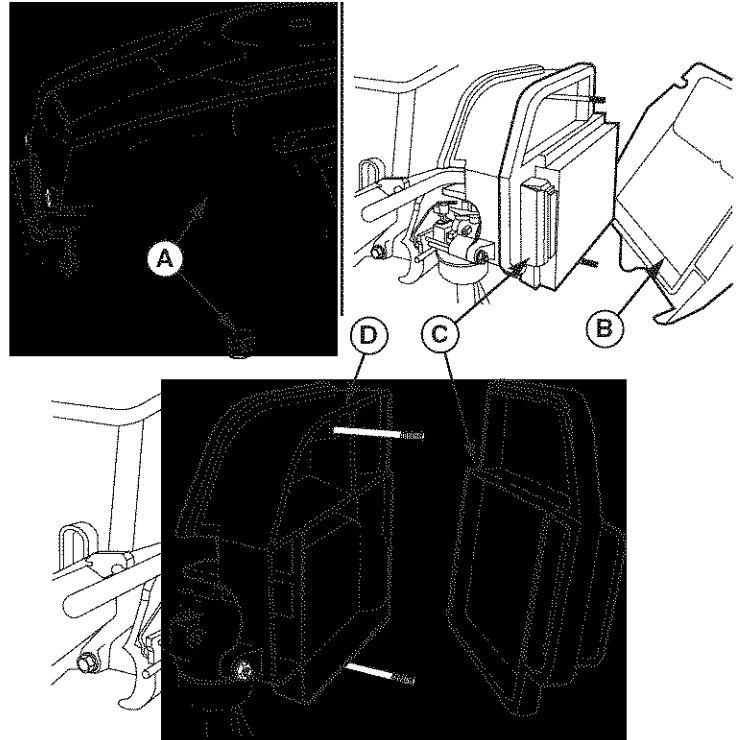


Figure 26. Air Filter Assembly - Kohler Models

- A. Air Filter Cover Knobs
- B. Cover
- C. Air Filter
- D. Base

## SERVICE SPARK PLUG - KOHLER MODELS

**Service Interval:** Inspect and re-gap every 200 hours or two years. Replace every 500 hours or as required.

**Replacement Spark Plug:** 71/501/12 132 02-S

**Spark Plug Gap:** .030" (.76mm)

1. Stop the engine and allow it to cool.
2. Clean the area around the spark plug.
3. Remove the spark plug and inspect it. If at all damaged or worn, replace it.
4. Check the spark plug gap. The gap (new or used plug) should be .030" (see Figure 27).

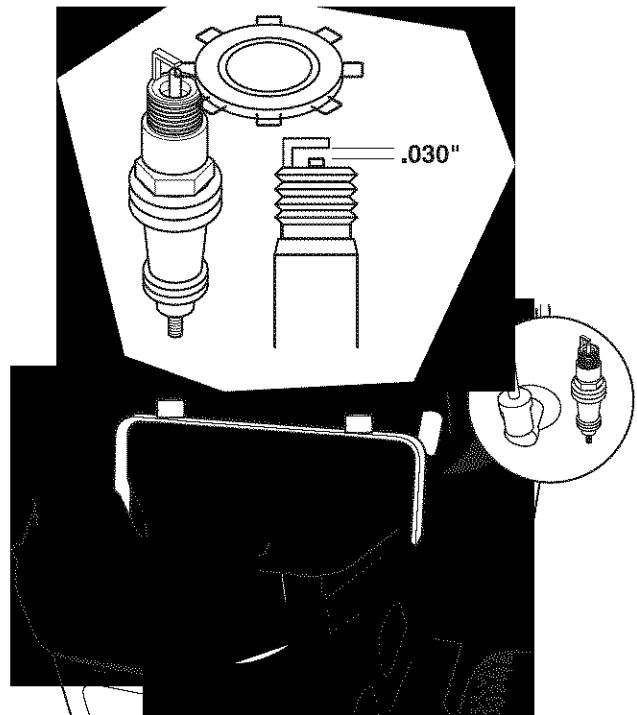


Figure 27. Spark Plug Gapping



## CHECK ENGINE OIL LEVEL - BRIGGS & STRATTON MODELS

**Service Interval:** Before each use, and every 8 hours.

1. Turn the engine off, and set the parking brake to PARK.
2. Clean the area around the dip stick (C, Figure 29).
3. Remove the dip stick (C) and clean it with a paper towel.
4. Insert the dip stick back into the engine. Thread the cap back onto the tube (D).
5. Remove the dip stick and read the oil level. The oil level should be between the "FULL" and "ADD" marks (D). If not, add oil according to the oil recommendations chart (Figure 28).

## CHANGE ENGINE OIL - BRIGGS & STRATTON MODELS

**Service Interval:** 50 hours or once per season.

**Oil Capacity:** 1-7/8 quarts (1.8L) without filter change.

*NOTE: Change engine oil while the engine is warm. Run the engine for a few minutes, then shut the engine off and allow it to cool from hot to warm.*

1. Clean the area around the dip stick (C, Figure 29) and oil drain tube (A).
2. Remove the oil drain plug (A) from the end of the oil drain tube. Remove the dip stick (C). Allow ample time for complete drainage.
3. Reinstall the oil drain plug (A) and route the hose next to the engine.
4. Fill the crankcase with oil. See CHECK ENGINE OIL LEVEL above.

## CHANGE ENGINE OIL & FILTER BRIGGS & STRATTON MODELS

**Service Interval:** 100 hours or once per season.

**Oil Capacity:** 2 quarts (1.9L) with oil filter change.

*NOTE: Change engine oil while the engine is warm. Run the engine for a few minutes, then shut the engine off and allow it to cool from hot to warm.*

1. Clean the area around the dip stick (C, Figure 29) and oil drain (A).
2. Remove the oil drain plug (A) and dip stick (C). Allow ample time for complete drainage.
3. Remove the oil filter (B). Discard the filter.
4. Using a drop of oil on your finger tip, wet the rubber gasket on the bottom of the new filter.

Use oil classified API Service Class SF, SG, SH, SJ or better with SAE Viscosity:

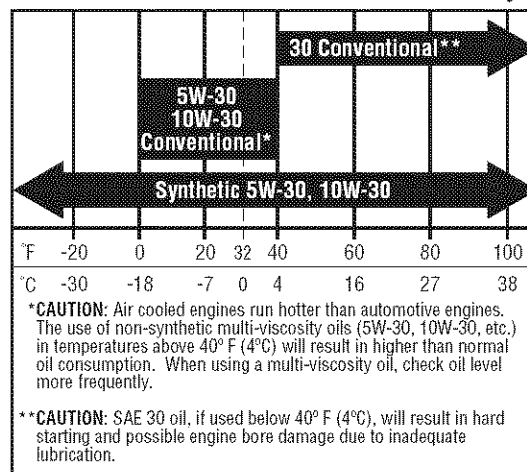


Figure 28. Recommended Engine Oil - Briggs & Stratton Models

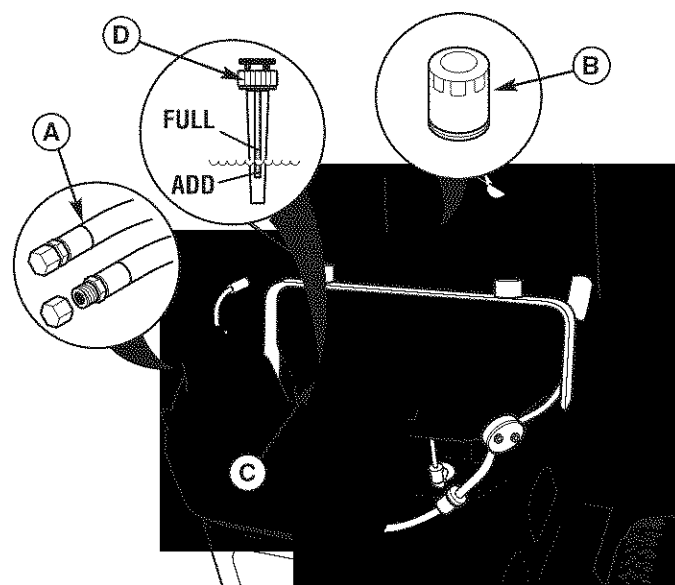


Figure 29. Oil Change - Briggs & Stratton Models  
A. Oil Drain Tube  
B. Oil Filter  
C. Dip Stick  
D. Checking Oil Level

6. Turn the filter clockwise until the rubber gasket meets the filter base. Then turn 1/2 to 3/4 turn more.
7. Reinstall the oil drain plug (A).
8. Fill the crankcase with oil. See CHECK ENGINE OIL LEVEL above.
9. Test run the engine to check for leaks. Stop the engine for 1 minute, then recheck the oil level.

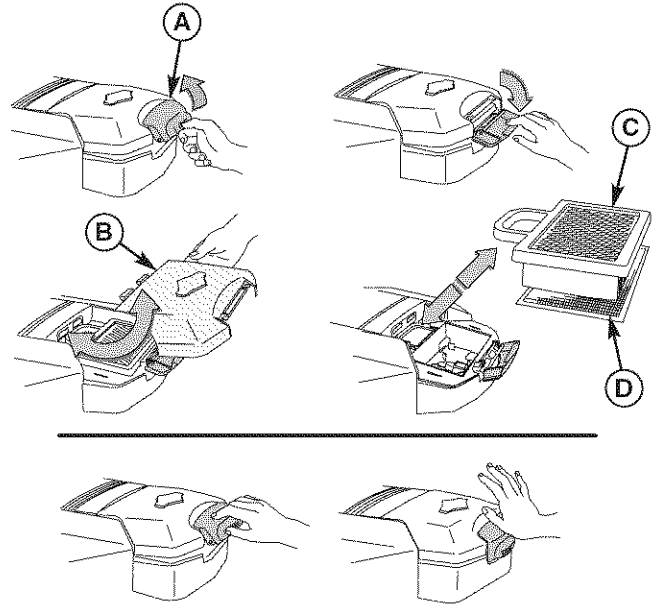
# AIR FILTER & PRE-CLEANER SERVICE - BRIGGS & STRATTON MODELS

**Service Interval:** Pre-Cleaner: Every 25 hours or as required. Air Filter: Every 50 hours or as required.

**Replacement Interval:** Pre-Cleaner: As required. Air Filter: Every 200 hours or once per season.

## Air Filter Removal & Installation

1. Lift up on the bottom of the latch (A, Figure 30) and flip the latch away from the cover.
2. Remove the cover (B). Remove the filter (C) and pre-cleaner (D).
3. Install the pre-cleaner (D) with the mesh side up. Install the filter (C) as shown.
4. Install the cover (B) making sure the tabs are inserted into their slots. Secure with the latch (A).



**Figure 30. Air Filter Assembly - Briggs & Stratton Models**

- A. Air Filter Latch
- B. Air Filter Cover
- C. Air Filter
- D. Pre-Cleaner

## Pre-Cleaner Service

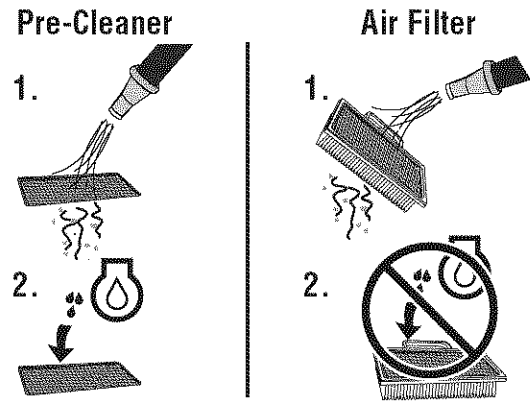
*NOTE: Replace a worn or damaged pre-cleaner.*

1. Figure 31. Wash the pre-cleaner in liquid detergent and water.
2. Squeeze the pre-cleaner dry and saturate with engine oil. Remove all excess oil by squeezing the pre-cleaner in an absorbent cloth.

## Air Filter Service

*NOTE: Replace a worn or damaged air filter.*

1. Figure 31. If stamped "Washable," the filter can be washed with warm water and mild soap.
2. Rinse with tap water with the screen side UP allowing dirt and debris to filter out.
3. Allow the filter to dry overnight before reinstalling.



**Figure 31. Air Filter Service**

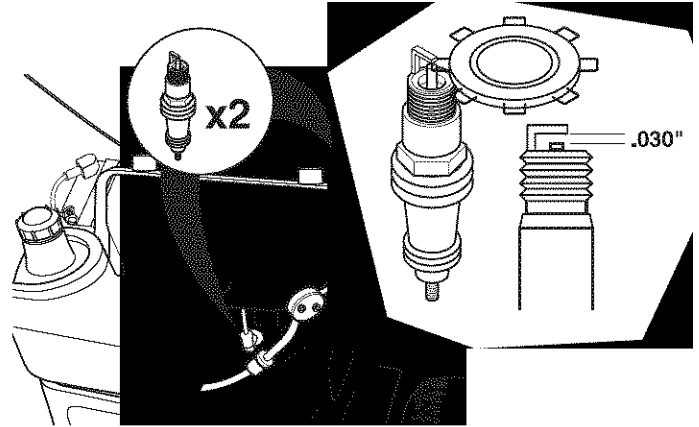
## REPLACE SPARK PLUG - BRIGGS & STRATTON MODELS

**Service Interval:** Yearly

**Replacement Spark Plug:** 71/500/691043

**Spark Plug Gap:** .030" (.76mm)

1. Stop the engine and allow it to cool.
2. Clean the area around the spark plug.
3. Remove the spark plug.
4. Check the spark plug gap. It should be .030" (see Figure 32).
5. Reinstall the plug into the cylinder head. Torque the plug to 180 in. lbs (20 N.m.).



**Figure 32. Spark Plug Gapping**

# SERVICE & ADJUSTMENTS

## GROUND SPEED CONTROL LEVER ADJUSTMENT

The control levers have three adjustments:

**To Adjust Control Lever Height:** Pull the levers in across the operator's lap to their DRIVE positions. Loosen the mount bolts (D, Figure 34) and raise or lower the levers to the desired position. Tighten the mounting bolts.(D).

**To Adjust Control Lever End Gap:** The control lever end gap should be adjusted so that the levers do not contact each other when placed in DRIVE positions. Loosen the jam nut (A, Figure 34) and adjust the length of the carriage bolt (B) so that the levers do not contact each other. Repeat on the opposite side. Tighten the jam nut (A) to lock the carriage bolt in position.

**To Adjust Operator Clearance:** The space between the operator and the control levers can be increase by removing the lower mounting bolt (D, Figure 34), pivoting the lever forward, and reinstalling the capscrew through the control lever and forward slot (C). Repeat with the other ground speed lever.

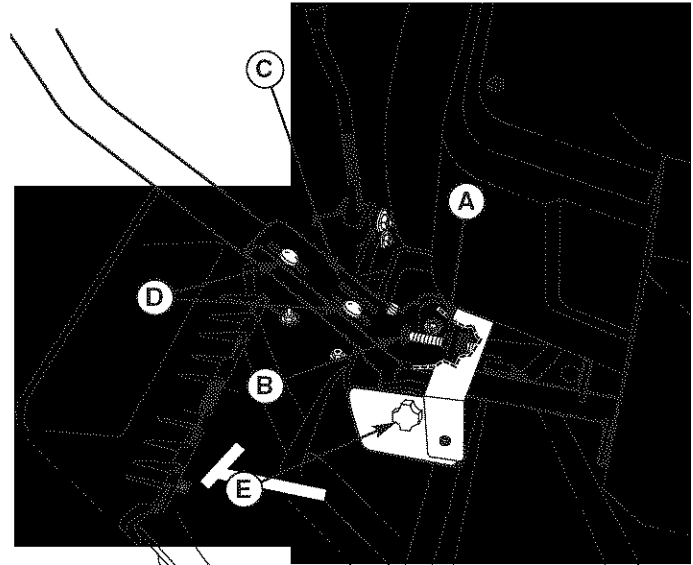


Figure 34. Control Lever Adjustment

- A. Jam Nut
- B. Carriage Bolt
- C. Forward Slot
- D. Mount Bolts
- E. Knob

## SPEED BALANCING ADJUSTMENT

If the rider veers to the right or left when the ground speed control levers are in the maximum forward position, the top speed of the right lever can be balanced by turning the adjustment knob (E, Figure 34). Loosen the jam nut and turn the knob COUNTERCLOCKWISE to increase speed or CLOCKWISE to decrease speed. Tighten the jam nut when complete.

## CUTTING HEIGHT ADJUSTMENT

Turn the cutting height adjustment crank (A, Figure 35) clockwise to raise the mower deck and counterclockwise to lower it. If the crank is difficult to turn, thoroughly clean and lubricate it.

## PTO CLUTCH ADJUSTMENT

See CHECK / ADJUST PTO CLUTCH in the Maintenance Section.

## BRAKE ADJUSTMENT

1. Stop the unit, turn the ignition OFF, set the ground speed levers to PARK positions, and wait for all moving parts to stop.
2. Locate the brake rod (A) and adjustment nut (B).
4. Measure the parking brake spring. Its compressed length, with the ground speed levers in their PARK positions should be 3" (7.62cm). Adjust the spring length by turning the adjustment nut (B), if necessary.

## BATTERY CHARGING

### WARNING

Keep open flames and sparks away from the battery; the gasses coming from it are highly explosive. Ventilate the battery well during charging.

A dead battery or one too weak to start the engine may be the result of a defect in the charging system or other electrical component. If there is any doubt about the cause of the problem, contact a Sears Parts & Repair Center. If you need to replace the battery, follow the steps under Cleaning the Battery & Cables in the Regular Maintenance Section.

To charge the battery, follow the instructions provided by the battery charger manufacturer as well as all warnings included in the safety rules sections of this book. Charge the battery until fully charged (until the specific gravity of the electrolyte is 1.250 or higher and the electrolyte temperature is at least 60° F). Do not charge at a rate higher than 10 amps.

## ENGINE ADJUSTMENTS

The engine is designed to deliver the correct performance under all operating conditions. Any adjustments must be performed by a Sears or other qualified service dealer.

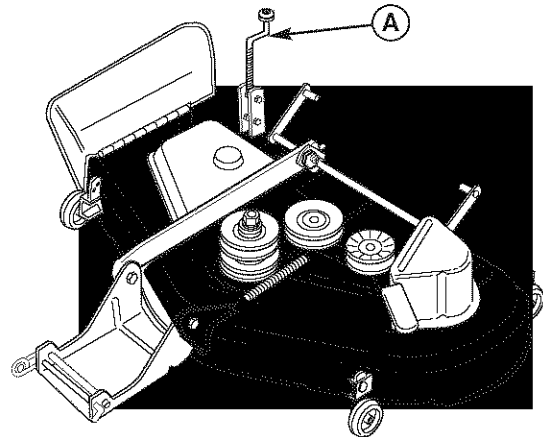


Figure 35. Cutting Height Adjustment  
A. Cutting Height Adjustment Crank

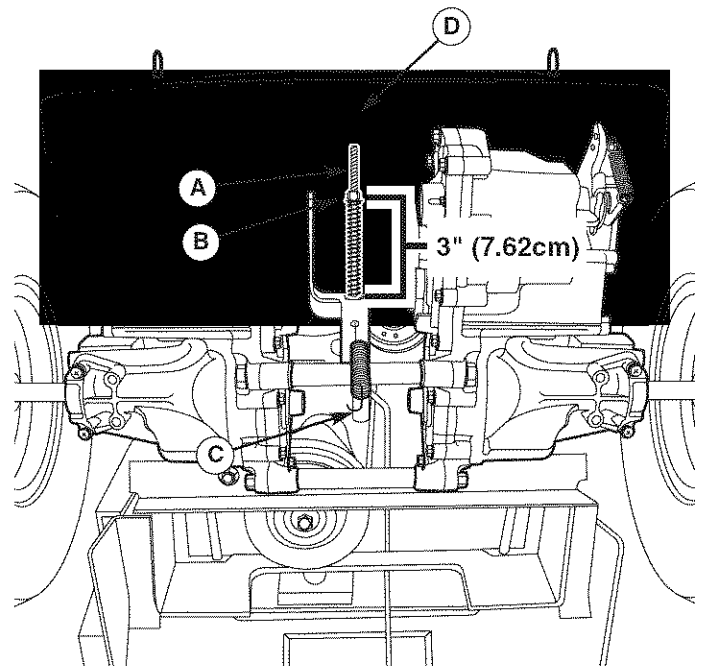


Figure 36. Brake Adjustment  
A. Brake Rod  
B. Adjustment Nut  
C. Return Spring (Removed for Illustration Only)  
D. Return Spring Hole

## MOWER DECK LEVELING ADJUSTMENTS

### **⚠ WARNING**

Before checking mower, shut off PTO and engine. Allow all moving parts to stop. Remove ignition key, then disconnect the spark plug wire and fasten it away from the spark plug.

### Side to Side Leveling

If the cut is uneven, the mower may need leveling. Unequal or improper tire pressure may also cause an uneven cut. See CHECK TIRE PRESSURE.

1. With the mower installed, place the rider on a smooth, level surface such as a concrete floor. Turn the front wheels straight forward. Turn the engine off, set the ground speed control levers to PARK, and wait for all moving parts to stop.
2. Check for bent blades and replace if necessary.
3. Check the tire pressures. See CHECK TIRE PRESSURE.
4. Set the cutting height to mid position. Arrange the mower blades so that they are pointing from side-to-side (Figure 38).
5. Measure the distance between the tips of the outside blades and the ground (Figures 37 & 38). If there is more than 1/8" (3mm) difference between the measurements on each side, proceed to step 6. If the difference is 1/8" (3mm) or less, proceed to Front To Back Leveling.
6. See Figure 39. Loosen the outside nut (A) and taptite screw (C), then turn the eccentric nut (B) to raise or lower the left side of the deck. When the mower deck is level, hold the eccentric nut while tightening the outside nut. Tighten the taptite screw (C).

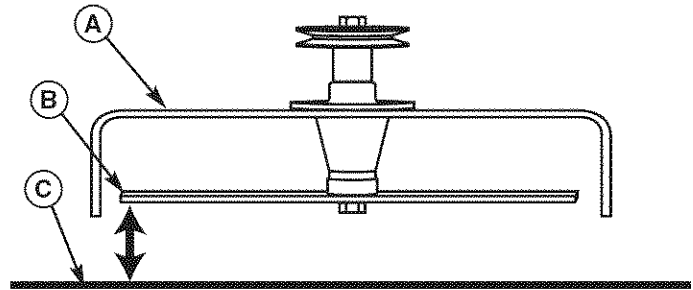


Figure 37. Measure Blade Tips to Ground

- A. Mower Deck
- B. Blade Tip
- C. Level Ground

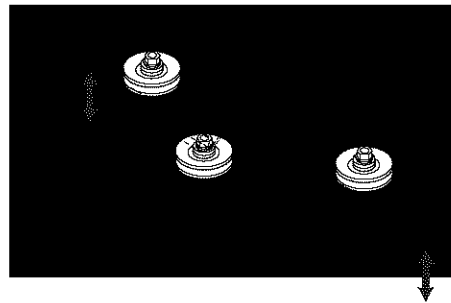


Figure 38. Orient Blades Side-to-Side

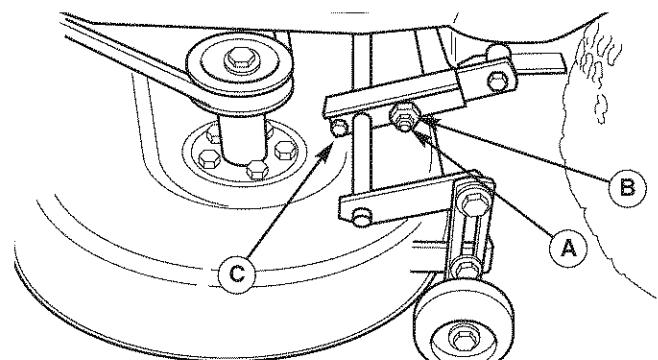
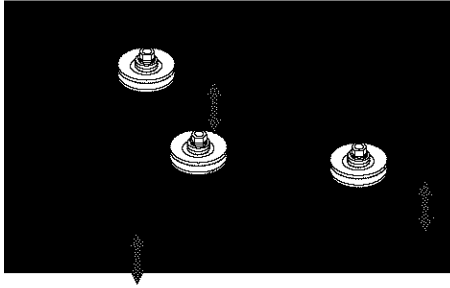


Figure 39. Side-to-Side Adjustment

- A. Outside Nut
- B. Eccentric Nut
- C. Taptite Screw

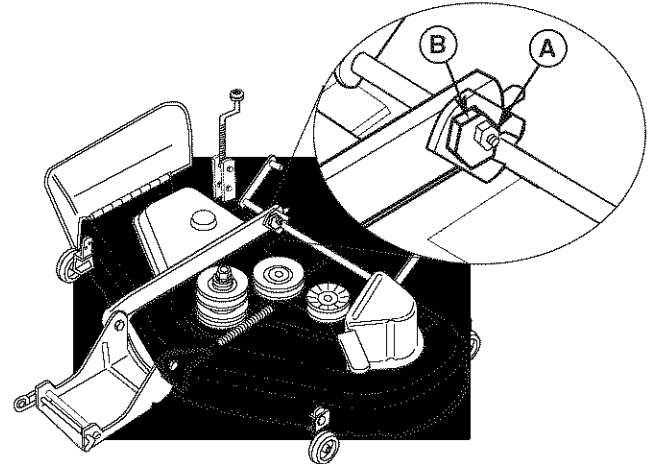
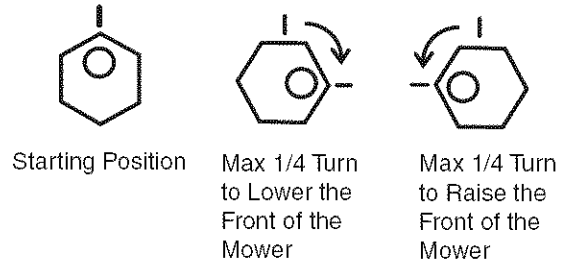


**Figure 36. Orient Blades Front-to-Back**

### Front To Back Leveling

If the cut is uneven, the mower may need leveling. Unequal or improper tire pressure may also cause an uneven cut. See CHECK TIRE PRESSURE.

1. Turn the blades front-to-back as shown in Figure 36. Measure the distance from the ground to front tip of center blade, and from ground to rear tips of left hand and right hand blades (Figures 36 & 40). Front tips should be 1/8"-1/4" (3-6 mm) higher than rear tips. If not, proceed to step 2.
2. To raise or lower the front of mower deck, loosen lock nut (A, Figure 40 inset) and turn eccentric nut (B).
3. Recheck measurement before tightening lock nut (A) against bracket.

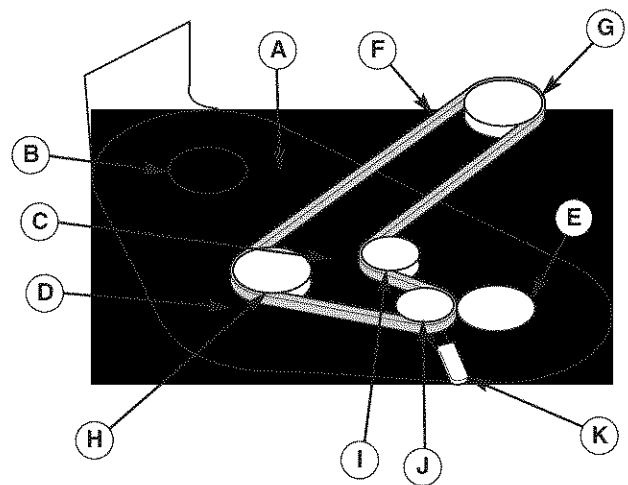


**Figure 40. Front-to-Back Leveling**  
**A. Lock Nut**  
**B. Eccentric Nut**

## MOWER BELT REPLACEMENT

### Mower Drive Belt Replacement

1. Park the rider on a level surface. Disengage the PTO, turn off the engine and set the ground speed control levers to PARK. Remove the key.
2. Use the idler pulley arm (K, Figure 41) to release belt tension and remove the mower drive belt (F) from the PTO pulley (G).
3. Remove the belt from the remaining deck pulleys. Note: It is not necessary to remove the mower deck.
4. Install the new belt (F) as shown in Figure 38.



**Figure 41. PTO Belt Routing**  
**A. Arbor Drive Belt**  
**B. Right Arbor Pulley**  
**C. Arbor Idler Pulley**  
**D. Center Arbor Pulley**  
**E. Left Arbor Pulley**  
**F. Mower Drive Belt**  
**G. Engine PTO Pulley**  
**H. Mower Drive Pulley**  
**I. Mower Idler Pulley**  
**J. Backside Idler Pulley**  
**K. Idler Pulley Arm**

### Arbor Drive Belt Replacement

Contact a Sears Parts & Repair Center for replacement of the arbor drive belt (A, Figure 41).

# STORAGE

## STORAGE

Before you store your unit for the off-season, read the Maintenance and Storage instructions in the Safety Rules section, then perform the following steps:

- Disengage the PTO, set the ground speed control levers to PARK, & remove the key.
- Check all fluid levels. Check all maintenance items.
- Battery life will be increased if it is removed, put in a cool, dry place and fully charged about once a month. If the battery is left in the unit, disconnect the negative cable.

It is important to prevent gum deposits from forming in the essential fuel system parts such as the carburetor, fuel filter, fuel line, and fuel tank during storage. Also, alcohol blended fuels (called gasohol or using ethanol or methanol) can attract moisture which leads to the separation and formation of acids during storage. Acidic gas can damage the fuel system of an engine while in storage.

To avoid engine problems use fuel stabilizer, especially before storage of 30 days or longer.

Before starting the unit after it has been stored:

- Check all fluid levels. Check all maintenance items.
- Fill with FRESH fuel.
- After starting, allow the engine to warm before operating.

## ⚠ WARNING

Never store the unit (with fuel) in an enclosed, poorly ventilated structure. Fuel vapors can travel to an ignition source (such as a furnace, water heater, etc.) and cause an explosion.

Fuel vapor is also toxic to humans and animals.

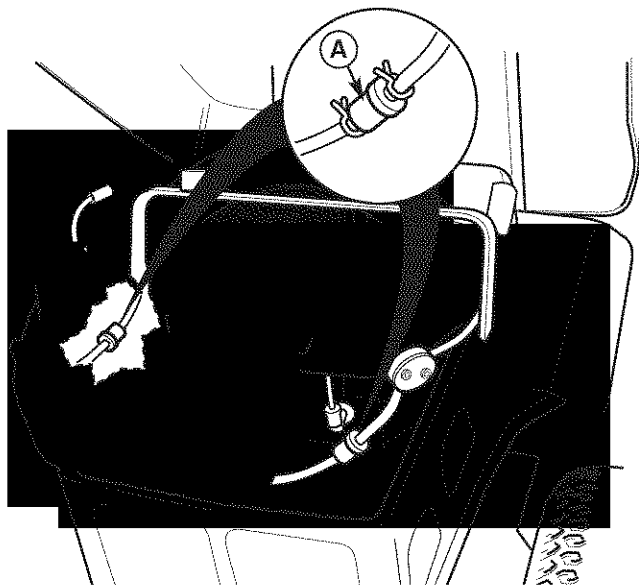


Figure 42. Engine Compartment  
A. Fuel Filter

## ⚠ WARNING

Gasoline is highly flammable and must be handled with care. Never fill the tank when the engine is still hot from recent operation. Do not allow open flame, smoking or matches in the area. Avoid over-filling and wipe up any spills.



# TROUBLESHOOTING

While normal care and regular maintenance will extend the life of your equipment, prolonged or constant use may eventually require that service be performed to allow it to continue operating properly. The troubleshooting guide below lists the most common problems, their causes and remedies.

If you prefer, all of these procedures can be performed for you by a Sears Parts & Repair Center. See the back cover for important Sears Parts & Repair Center information.

## ! WARNING

**To avoid serious injury, perform maintenance on the rider or mower only when the engine is stopped and the ground speed levers are set to PARK.**

**Always remove the ignition key, disconnect the spark plug wire and fasten it away from the plug before beginning the maintenance, to prevent accidental starting of the engine.**

### Troubleshooting the Rider

PROBLEM	CAUSE	REMEDY
<b>Engine will not turnover or start.</b>	Ground speed controls not set to PARK	Set to PARK.
	PTO switch in ON position.	Place in OFF position.
	Ground speed levers not in PARK positions.	Move ground speed levers to PARK positions.
	Choke not in CLOSED position.	Move choke to CLOSED position.
	Key not turned fully to START position.	Turn key fully to START position.
	Out of fuel.	Allow engine to cool, then refill the fuel tank.
	Engine flooded.	Set choke to OPEN position when cranking engine.
	Fuel is old or stale, or water in fuel.	Drain fuel & replace with fresh fuel. Contact Sears Parts & Repair.
	Battery terminals require cleaning.	Clean the battery terminals
	Battery discharged or dead.	Recharge or replace.
	Spark plug(s) faulty, fouled or incorrectly gapped.	Clean and gap or replace.
	Wiring loose or broken.	Visually check wiring & replace broken or frayed wires. Tighten loose connections.
	Solenoid or starter motor faulty.	Replace. Contact Sears Parts & Repair.
Safety interlock switch faulty.	Replace. Contact Sears Parts & Repair.	
<b>Engine starts hard or runs poorly.</b>	Air filter plugged	Service pre-cleaner and/or replace air filter element.
	Choke not set to CLOSED position when cranking the engine, OR choke not set to OPEN after engine starts.	Set choke to CLOSED when cranking. Set choke to OPEN when engine is running. A warm engine may not require choking.
	Spark plug faulty, fouled, or incorrectly gapped.	Clean and gap or replace.
<b>Engine knocks.</b>	Low oil level.	Check/add oil as required.
	Using wrong grade oil.	See "Change Engine Oil" in the Maintenance Section.
<b>Excessive oil consumption.</b>	Engine running too hot.	Clean engine cooling fins, blower screen and air cleaner.
	Using wrong weight oil.	See "Change Engine Oil" in the Maintenance Section.
	Too much oil in crankcase.	Drain excess oil.
<b>Engine exhaust is black.</b>	Dirty air filter or precleaner, or both.	Service or replace as required. See Maintenance Section.
	Choke set to CLOSED when engine is running.	Set choke to OPEN as soon as engine starts.

<b>Engine runs, but rider will not drive.</b>	Transmission release levers in PUSH positions.	Move levers to DRIVE positions.
	Drive belt slips.	Clean or replace belt as necessary.
	Belt is broken.	Replace drive belt. Contact Sears Parts & Repair.
	Parking brake is not fully released.	Contact Sears Parts & Repair.
<b>Rider drive belt slips.</b>	Pulleys or belt greasy or oily.	Clean as required.
	Belt stretched or worn.	Replace belt. Contact Sears Parts & Repair.
<b>Parking brake will not hold.</b>	Parking brake is incorrectly adjusted.	See Service & Adjustments Section.
<b>Rider steers or handles poorly.</b>	Improper tire inflation.	See Maintenance Section.
	Steering linkage is loose.	Check and tighten any loose connections.
<b>Rider tracks to one side.</b>	Ground speed adj. knobs not adjusted.	See SPEED BALANCING ADJUSTMENT

### Troubleshooting the Mower

PROBLEM	CAUSE	REMEDY
<b>Mower cutting height difficult to adjust.</b>	Cutting height crank threads dirty or require lube.	Thoroughly clean and lubricate cutting height crank with oil.
<b>Mower cut is uneven.</b>	Rider tires not inflated equally or properly.	See Maintenance Section.
	Mower not leveled properly.	See "Mower Leveling" in Service & Adjustments.
<b>Mower cut is rough looking.</b>	Engine speed too slow.	Always set throttle to FULL when mowing.
	Ground speed too fast.	Decrease ground speed.
	Blades are dull.	Sharpen or replace blades. See Maintenance Section.
	Mower drive belt slipping because it is oily or worn.	Clean or replace belt as necessary.
	Blades not properly fastened to arbors.	See "Check/Replace Mower Blades" in Maintenance Section.
<b>Engine stalls easily with mower engaged.</b>	Engine speed too slow.	Always set throttle to FULL when mowing.
	Ground speed too fast.	Decrease Ground Speed.
	Cutting height set too low.	Cut tall grass at maximum cutting height during first pass.
	Underside of mower deck dirty.	Remove mower deck and clean underside.
	Discharge chute jamming with cut grass.	Cut grass with discharge pointing toward previously cut area.
<b>Excessive mower vibration.</b>	Blade mounting bolts are loose.	Tighten to 45-55 ft. lbs. (61-75 N.m.).
	Mower blades, arbors, or pulleys are bent.	Check and replace as necessary.
	Mower blades are out of balance.	Replace or balance blades. See Maintenance Section.
	Belt installed incorrectly.	Reinstall correctly.
<b>Mower drive belt slips or fails to drive.</b>	Idler pulley spring broken or not properly attached.	Repair or replace as needed.
	Mower drive belt broken.	Replace drive belt.
	PTO clutch out of adjustment.	Adjust PTO clutch. See Maintenance Section.

# Manual Del Dueño



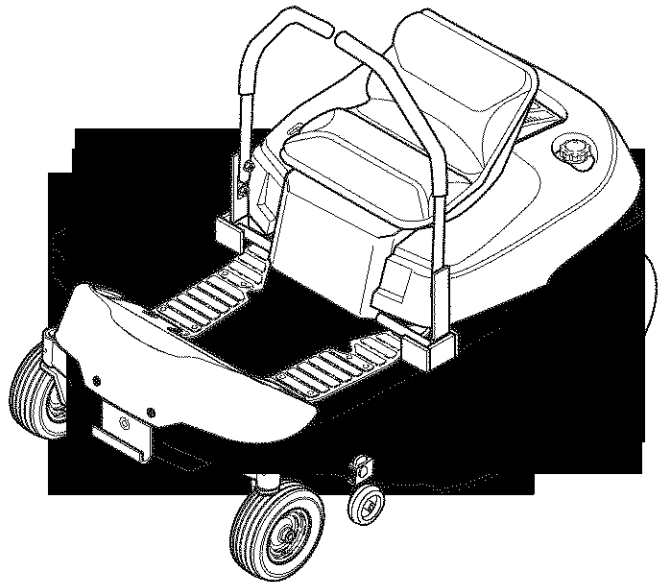
## ZT 7000

Gire a cero los montables posteriores del motor con el arranque eléctrico

No. de modelo

**107.27772 (20HP Kohler con segadora de 44" )**

**107.27774 (22HP Briggs & Stratton con segadora de 50" )**



**PRECAUCIÓN:** Este producto tiene un motor con expulsión baja el cual funciona diferentemente a otros motores. Antes que arranque el motor, lea y comprenda el Manual del Dueño.

Para obtener respuestas a cualquier pregunta sobre este producto, llame al número de teléfono-(sin cobro) siguiente:

**1-800-659-5917**

**Servicio de ayuda Sears Craftsman**  
5 am - 5 pm, Lunes a Sabado

# ÍNDICE

Declaración de Garantía .....	36	Almacenamiento .....	66
Reglas e Información de Seguridad .....	37	Diagnóstico .....	67
Números de Identificación .....	41	Partes de Refacción .....	PTS-1
Accesorios Opcionales .....	42	Hardware y Especificaciones del Esfuerzo de	
Contenido del Paquete de Literatura .....	42	Torsión .....	PTS-39
Pre-Operación .....	43	Repare El Acuerdo De la	
Operación .....	44	Protección .....	Dentro De la Cubierta Trasera
Mantenimiento .....	51	Mantenga Los Números De	
Servicio y Ajustes .....	62	Phono .....	Cubierta Trasera

*NOTA: En este manual, "izquierda" y "derecha" se refieren según como se vea desde la posición de operación.*

## GARANTÍA

### GARANTÍA LIMITADA DEL EQUIPO MONTABLE DE CRAFTSMAN

Por dos (2) años a partir de la fecha de compra, si este equipo montable de Craftsman es mantenido, lubricado y afinado conforme a las instrucciones en el manual del propietario, Sears reparará o reemplazará sin costo alguno cualquier parte que se encuentre defectuosa en material o mano de obra conforme a los lineamientos de la cobertura enumerada a continuación. Sears también proporcionará mano de obra gratis por las partes garantizadas que apliquen durante estos dos años completos. Durante los primeros 30 días de compra, no habrá cargos para dar servicio al producto en su domicilio por problemas cubiertos por esta garantía. (Vea las excepciones abajo). Para su conveniencia, el servicio de garantía A DOMICILIO seguirá estando disponible después de los primeros 30 días de compra, pero habrá un cargo por el recorrido. Este cargo quedará anulado si se lleva el producto Craftsman en uno de los lugares autorizados de Sears. Para averiguar cuál es el Sears más cercano a usted, le rogamos que llame a 1-800-MY-HOME. Esta garantía aplica sólo mientras el producto esté dentro de los Estados Unidos.

#### ESTA GARANTÍA NO CUBRE:

- Artículos consumibles que se desgastan con el uso normal, lo que incluye, entre otros las aspas, bujías, filtros de aire, bandas y filtros de aceite.
- Servicio por mantenimiento estándar, cambios de aceite y afinaciones.
- Reemplazo o reparación de llantas causado por pinchaduras de objetos externos, como clavos, púas, troncos cortados o vidrio.
- Las reparaciones necesarias por abuso del operador, lo que incluye, entre otros, daños causados por remolcar objetos que sobrepasan las capacidades del equipo montable, impacto contra objetos que doblen el bastidor o cigüeñal o exceder la velocidad del motor.
- Las reparaciones necesarias por negligencia del operador, lo que incluye, entre otros, daños eléctricos y mecánicos causados por el almacenamiento inadecuado, no usar el grado y la cantidad adecuada de aceite para motor, no mantener la cubierta libre de despojos inflamables o no mantener el equipo conforme a las instrucciones contenidas en el manual del propietario.
- La limpieza del motor (instalación de combustible) o reparación causada por gasolina que se decide está contaminada u oxidada (viciada). En general, el combustible debe usarse en un lapso de 30 días de su fecha de compra.
- El deterioro y desgaste normal de los acabados del exterior ni el reemplazo de las etiquetas del producto.
- Cuando el equipo montable que se usa con fines comerciales o de alquiler.

### GARANTÍA LIMITADA DE LA BATERÍA


Por noventa (90) días a partir de la fecha de compra, si la batería incluida con este equipo montable prueba estar defectuosa en material o mano de obra y nuestras pruebas determinan que la batería no retiene la carga; Sears reemplazará la batería sin cargos. Durante los primeros 30 días de compra, no habrá cargos para reemplazar la batería en su DOMICILIO. Después de los primeros 30 días, para su conveniencia, el servicio de garantía A DOMICILIO seguirá estando disponible, pero habrá un cargo por el recorrido. Este cargo quedará anulado si se lleva el producto Craftsman en uno de los lugares autorizados de Sears. PARA AVERIGUAR CUÁL ES EL SEARS MÁS CERCANO A USTED, LE ROGAMOS QUE LLAME A 1-800-MY-HOME. Esta garantía de la batería aplica sólo mientras el producto esté dentro de los Estados Unidos.

Esta garantía le otorga derechos legales específicos, pero es posible que usted tenga otros derechos, los cuales varían de un estado a otro.

Sears, Roebuck and Co., Dept. 817WA, Hoffman Estates, IL 60179

# REGLAS DE SEGURIDAD



Lea estas reglas de seguridad y síguelas con cuidado. No obedecer estas reglas puede ocasionar la pérdida del control sobre la unidad, lesiones severas a la persona o la muerte de usted, o espectadores, o daños a la propiedad o al equipo. **Esta cubierta de la podadora es capaz de amputar manos y pies y de arrojar objetos.** El triángulo  en el texto denota precauciones o advertencias importantes que deben obedecerse.

## OPERACIÓN GENERAL

1. Lea, entienda y siga todas las instrucciones en el manual y en la unidad antes de arrancar.
2. No coloque las manos o pies cerca de las partes giratorias o debajo de la máquina. Manténgase alejado de la abertura de expulsión en todo momento.
3. Sólo permita que un adulto responsable, que esté familiarizado con las instrucciones, opere la unidad (los reglamentos locales pueden restringir la edad del operador).
4. Retire del área objetos tales como piedras, juguetes, etc., que pueden ser cogidos y arrojados por las aspas.
5. Asegúrese de que el área esté libre de otra gente antes de podar el césped. Detenga la unidad si alguien entra en el área.
6. Nunca lleve pasajeros.
7. No pade el césped en reversa a menos que sea absolutamente necesario. Siempre mire hacia abajo y hacia atrás antes de echarse en reversa y mientras lo hace.
8. Nunca descargue el material directamente hacia alguien. Evite descargar el material contra una pared u obstrucción. El material puede rebotar hacia el operador. Detenga las aspas cuando cruce por superficies cubiertas de grava.
9. No opere la máquina sin el recogedor completo de hierba, guarda de descarga (deflector) ni otros dispositivos de seguridad en su lugar y operacionales.
10. Baje la velocidad antes de dar la vuelta.
11. Nunca deje la unidad operando sin supervisión. Siempre desacople las cuchillas (PTO), ponga el freno de mano, detenga el motor y quite las llaves antes de desmontar.
12. Desacople las cuchillas (PTO) cuando no esté podando el césped. Apague el motor y espere a que todas las partes se detengan por completo antes de limpiar la máquina, quitar el recolector de hierba o desatascar la guarda de la descarga.
13. Opere la máquina sólo a la luz del día o con buena luz artificial.
14. No opere la unidad si usted está bajo la influencia de alcohol o drogas.
15. Tenga cuidado con el tráfico si opera cerca de alguna calle.
16. Sea extremadamente cuidadoso al cargar o descargar la unidad en un remolque o camioneta.
17. Siempre protéjase los ojos cuando opere esta unidad.
18. Los datos indican que operadores, de 60 años y más, están involucrados en un gran porcentaje de lesiones asociadas con equipos motorizados. Estos operadores deberían evaluar su habilidad de operar el equipo con la suficiente seguridad para protegerse a sí mismos y a otros de lesiones.
19. Siga las recomendaciones del fabricante respecto a los pesos y contrapesos para llantas.
20. Recuerde que el operador es responsable de los accidentes que ocurran a otra gente o propiedad.
21. Todos los conductores deberían pedir y obtener instrucciones profesionales y prácticas.
22. Siempre use zapatos cerrados y pantalones. Nunca opere la unidad descalzo o usando sandalias.
23. Antes de su uso, siempre verifique visualmente que las cuchillas y sus aditamentos estén presentes, intactos y afilados. Reemplace las partes dañadas o desgastadas.
24. Desacople los accesorios antes de: cargar combustible, retirar un accesorio, hacer ajustes (a menos de que el ajuste pueda hacerse desde el puesto del operador).
25. Cuando la máquina está estacionada, almacenada o se deja sin supervisión, baje los medios de corte a menos de que use una traba mecánica positiva.
26. Antes de dejar el puesto del operador por cualquier razón, accione el freno de mano (si viene equipado con uno), desacople las cuchillas (PTO), detenga el motor y quite la llave.
27. Para reducir el peligro de incendio, mantenga la unidad libre de césped, hojas y aceite excesivo. No se detenga ni estacione sobre hojas secas, césped o materiales combustibles.
28. Usar u operar un motor sobre o cerca de tierras cubiertas de bosques, matorrales o césped es una violación de la Sección 4442 del Código de Recursos Públicos de California a menos que el sistema de escape esté equipado con un parachispas que cumpla con las leyes locales o estatales aplicables. Es posible que otras áreas estatales o federales tengan leyes similares.

## TRANSPORTE Y ALMACENAMIENTO

1. Cuando se transporta la unidad sobre un remolque abierto, asegúrese de que mire hacia el frente, en dirección del desplazamiento. Si la unidad está mirando hacia atrás, la fuerza del aire puede dañar la unidad.
2. Siempre obedezca las prácticas seguras para cargar combustible y manejar combustible al cargar la unidad con combustible después del transporte o almacenamiento.
3. Nunca almacene la unidad (con combustible) en una estructura cerrada con poca ventilación. Los vapores del combustible pueden viajar a una fuente de ignición (como un horno, calentador de agua, etc.) y ocasionar una explosión. Los vapores del combustible también son tóxicos para los humanos y animales.
4. Siempre siga las instrucciones del manual del motor respecto a las preparaciones de almacenamiento antes de almacenar la unidad ya sea por períodos cortos o largos.
5. Siempre siga las instrucciones del manual del motor respecto a los procedimientos apropiados de arranque cuando reintegre la unidad al servicio.
6. Nunca almacene la unidad ni el contenedor de combustible en un lugar cerrado, donde haya una llama abierta o piloto, como sucede con un calentador de agua. Permita que la unidad se enfríe antes de almacenarla.

## OPERACIÓN EN CUESTAS

Las cuestas son un factor importante relacionado con los accidentes por pérdida de control y volcaduras, y pueden propiciar lesiones severas o la muerte. Cualquier operación en cuestas exige precauciones extremas. Si usted no puede dar marcha atrás en una cuesta o se siente inquieto en ella, no opere en ella.

No se puede recuperar el control de una máquina de empujar o montable que se desliza por una cuesta accionando el freno. Las principales razones de pérdida de control son: agarre insuficiente de las llantas en la tierra, velocidad demasiado alta, frenado inadecuado, el tipo de máquina es inadecuada para la labor, falta de conocimiento sobre las condiciones de la tierra, enganche y distribución de la carga incorrectos.

1. Pude el césped de la cuesta de un lado a otro, no hacia arriba y abajo.
2. Tenga con cuidado con los baches, raíces o topes. Un terreno accidentado puede volcar la unidad. El césped alto puede ocultar obstáculos.
3. Opte por una velocidad lenta de modo que no tenga que detenerse o cambiar de velocidad mientras esté en la cuesta.
4. No pude césped mojado. Las llantas pueden perder la tracción.
5. Nunca pude el césped cuesta abajo.
6. Evite arrancar, detenerse o dar la vuelta sobre una cuesta. Si las llantas pierden tracción (es decir, la máquina detiene el movimiento hacia adelante en una cuesta), desacople las cuchillas (PTO) y conduzca lentamente hasta salir de la cuesta.
7. Mantenga todos los movimientos en la cuesta lentos y graduales. No haga cambios bruscos de velocidad o dirección, pues esto podría hacer que se vuelque la máquina.
8. Extreme precauciones mientras opere máquinas con recolectores de hierba u otros accesorios; éstos pueden afectar la estabilidad de la unidad. No los use en cuestas pronunciadas.
9. No intente estabilizar la máquina poniendo el pie en el piso (en unidades montables).
10. No pude el césped cerca de barrancos, zanjas o diques. La podadora podría volcarse repentinamente si una llanta cae por la orilla de un acantilado o zanja o si se derrumba una orilla.
11. No use los recolectores de hierba en cuestas pronunciadas.
12. No pude el césped en cuestas en las cuales no pueda dar marcha atrás.
13. Consulte con su distribuidor o concesionario autorizado respecto a recomendaciones sobre pesos o contrapesos para llantas para mejorar la estabilidad.
14. Quite obstáculos tales como piedras, ramas de árboles, etc.
15. Use la velocidad lenta. Las llantas pueden perder la tracción en las cuestas aun cuando los frenos funcionan debidamente.
16. No dé vuelta en una cuesta a menos de que sea necesario, y entonces, gire lenta y gradualmente cuesta arriba, si es posible. Nunca pude el césped cuesta abajo.

## EQUIPO REMOLCADO (UNIDADES MONTABLES)

1. Solamente remolque aquellas máquinas que tienen un enganche diseñado para remolcar. No enganche el equipo remolcado excepto en el punto del enganche.
2. Siga las recomendaciones del fabricante respecto al límite de peso para el equipo remolcado y el declive de remolcado. Vea enganchar un remolque en la sección de OPERACIÓN.

## ADVERTENCIA

Nunca opere en cuestas mayores a 17.6 por ciento (10°) lo cual es una inclinación de 3 1/2 pies (106 cm) verticalmente en 20 pies (607 cm) horizontalmente

Opte por una velocidad lenta antes de subir la cuesta. Extreme precauciones al opere en cuestas con un recolector de césped montado en la parte trasera.

Pude el césped de la cuesta de un lado al otro y no hacia arriba hacia abajo, extreme precauciones al cambiar de dirección y **NO ARRANQUE NI SE DETENGA EN LA CUESTA.**

3. Nunca permita que los niños u otros se suban o metan al equipo remolcado.
4. En las cuestas, el peso del equipo remolcado puede ocasionar pérdida de tracción y pérdida de control.
5. Trasládese lentamente y conceda una distancia adicional para frenar.
6. No cambie a neutral para deslizarse cuesta abajo.

## NIÑOS

Pueden ocurrir accidentes trágicos si el operador no está alerta a la presencia de niños. Los niños con frecuencia se ven atraídos por la unidad y la poda de césped. Nunca suponga que los niños se quedarán donde usted los vio la última vez.

1. Mantenga a los niños lejos del área de poda del césped y bajo el cuidado atento de otro adulto responsable.
2. Esté alerta y apague la unidad si los niños entran al área.
3. Antes y durante la operación en reversa, mire hacia atrás y abajo por si hay niños pequeños.
4. Nunca lleve niños, ni siquiera con las cuchillas apagadas. Éstos pueden caerse y salir gravemente heridos o interferir con la operación segura de la unidad. Los niños que recibieron un paseo anteriormente pueden aparecer repentinamente en el área de poda del césped para que les den otro paseo y ser atropellados por la máquina.
5. Nunca permita que un niño opere la unidad.
6. Extreme precauciones cuando se acerque a esquinas fuera de su ángulo de visión, arbustos, árboles u otros objetos que pueden obstruir la visión.

## EMISIONES

1. Se descubrió que las emisiones del motor de este producto contienen químicos que, en ciertas cantidades, causan cáncer, defectos de nacimiento u otros daños reproductivos.
2. Busque la información relevante sobre el Período de Durabilidad de las Emisiones e Índice del Aire en las etiquetas de emisiones del motor.

## SISTEMA DE ENCENDIDO

1. Este sistema de encendido por chispa cumple con ICES-002 de Canadá.

## SERVICIO Y MANTENIMIENTO

### Manejo Seguro de la Gasolina

1. Apague cigarrillos, puros, pipas y otras fuentes de ignición.
2. Use sólo los contenedores aprobados para gasolina.
3. Nunca quite el tapón de la gasolina ni cargue combustible con el motor encendido. Permita que el motor se enfríe antes de poner combustible.
4. Nunca cargue combustible para la máquina en espacios cerrados.
5. Nunca almacene la máquina ni el contenedor de combustible donde haya una llama abierta, chispa o piloto, como cerca de un calentador de agua u otro dispositivo.
6. Nunca llene los contenedores dentro de un vehículo o en la caja de una camioneta con cobertor de plátano de plástico. Siempre coloque los contenedores en el piso, lejos de su vehículo antes del relleno.
7. Retire el equipo accionado por gasolina de la camioneta o remolque y cargue el combustible estando el equipo en el piso. Si esto no es posible, entonces cargue el combustible en el equipo colocado en el remolque con un contenedor portátil, en vez de usar un dispensador de gasolina.
8. Mantenga el dispensador en contacto con la orilla del tanque de gasolina o con la abertura del contenedor en todo momento hasta que termine de cargar combustible. No use un dispensador con un dispositivo de cerrado y abierto.
9. Si derrama combustible sobre la ropa, cámbiese de ropa de inmediato.
10. Nunca llene demasiado el tanque de gasolina. Coloque nuevamente el tapón de la gasolina y apriételo fijamente.
11. Extreme precauciones en el manejo de la gasolina y otros combustibles. Son inflamables y los vapores son explosivos.
12. Si se derrama combustible, no intente arrancar el motor sino más bien mueva la máquina lejos del área de derrame y evite crear cualquier fuente de ignición hasta que se hayan disipado los vapores del combustible.
13. Vuelva a colocar fijamente las tapas del tanque de gasolina y las tapas del contenedor del combustible.

### Servicio y Mantenimiento

1. Nunca ponga en marcha la unidad en un área cerrada donde se pueden acumular los gases del monóxido de carbono.
2. Mantenga apretadas las tuercas y pernos, en especial los pernos de ajuste para las cuchillas, y mantenga el equipo en buenas condiciones.
3. Nunca manipule los dispositivos de seguridad. Verifique su operación adecuada con regularidad y asegúrese de hacer las reparaciones necesarias si no funcionan debidamente.
4. Mantenga la unidad libre de césped, hojas u otra acumulación de despojos. Limpie derrames de aceite o combustible y quite cualquier despojo impregnado de combustible. Siempre permita que su máquina se enfríe antes de almacenarla.
5. Detenga e inspeccione la máquina, si pega contra un objeto. Repare, si es necesario, antes de volver a arrancar.
6. Nunca haga ajustes ni reparaciones con el motor encendido.
7. Verifique los componentes del recolector de hierba y la guarda de la descarga con frecuencia y reemplácelos con las partes recomendadas por el fabricante, cuando sea necesario.
8. Las cuchillas de la podadora están afiladas. Envuelva las cuchillas o utilice guantes, y extreme precauciones cuando les dé mantenimiento.
9. Verifique la operación de los frenos con frecuencia. Ajuste y dé mantenimiento según se requiera.

10. Mantenga o reemplace las etiquetas de seguridad y de instrucciones según sea necesario.
11. No quite el filtro de la gasolina cuando el motor está caliente ya que la gasolina que se derrame se puede incendiar. No extienda las abrazaderas de la tubería del combustible más allá de lo necesario. Asegúrese de que las abrazaderas agarren firmemente la manguera sobre el filtro después de la instalación.
12. No use gasolina que contenga METANOL, gasohol con más del 10% de ETANOL, aditivos para gasolina ni gas blanco porque podría ocasionar daños al motor o a la instalación del combustible.
13. Si debe drenar el tanque de gasolina, debe hacerlo al aire libre.
14. Reemplace los silenciadores/mofles defectuosos.
15. Mantenga o reemplace las etiquetas de seguridad y de instrucciones según sea necesario.
16. Use sólo las partes de repuesto autorizadas de fábrica al reparar la unidad.
17. Siempre acate las especificaciones de fábrica respecto a todas las disposiciones y ajustes.
18. Sólo acuda a lugares autorizados de servicio si requiere de servicio y reparaciones mayores.
19. Nunca intente hacer reparaciones mayores en esta unidad a menos que tenga la preparación para ello. Los procedimientos inadecuados de mantenimiento pueden ocasionar peligros en la operación, daños al equipo y anulación de la garantía del fabricante.
20. En las podadoras con cuchillas múltiples, tenga cuidado ya que hacer girar una cuchilla puede hacer que otras cuchillas también giren.
21. No cambie el limitador de velocidad del motor ni acelere demasiado el motor. Operar el motor a una velocidad excesiva puede aumentar los peligros de lesiones a la persona.
22. Desacople los accesorios de conducción, detenga el motor, quite la llave y desconecte el cable de la bujía antes de: desatorar obstrucciones en accesorios y tolvas, dar mantenimiento a la unidad, pegarle a un objeto o si la unidad vibra de modo anormal. Después de pegarle a un objeto, inspeccione la máquina para ver si fue dañada y haga las reparaciones antes de volver a arrancar y operar el equipo.
23. Nunca coloque sus manos cerca de las partes en movimiento, como el ventilador de enfriamiento de la bomba hidráulica, cuando la unidad está encendida. (Los ventiladores de enfriamiento de las bombas hidráulicas normalmente se encuentran arriba del transeje).
25. ADVERTENCIA: Aparato eléctrico almacenado. El desenganche indebido de resortes puede ocasionar lesiones graves a la persona. Los resortes deben ser quitados por un técnico autorizado.

# CALCOMANÍAS DE SEGURIDAD Y OPERACIÓN

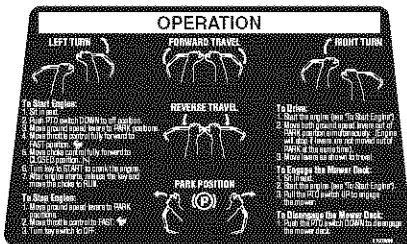
Esta unidad fue diseñada y fabricada para ofrecerle la seguridad y confiabilidad que usted esperaría de un líder en la industria de la fabricación de equipos motorizados para el exterior.

Aunque leer este manual y las medidas de seguridad que contiene le proporcionará el conocimiento básico necesario para operar este equipo sin percances y eficazmente, hemos colocado varias etiquetas de seguridad en la unidad para recordarle esta importante información mientras usted opera su unidad.

Debe leer cuidadosamente y acatar todos los mensajes de PELIGRO, ADVERTENCIA, PRECAUCIÓN y de instrucciones en su tractor y podadora. No seguir las instrucciones puede resultar en lesiones personales al cuerpo. ¡La información es para su seguridad y es importante! Las calcomanías de seguridad abajo están sobre su tractor y podadora.

Si pierde o se daña alguna de estas calcomanías, reemplácelas inmediatamente. Póngase en contacto con un Centro de Partes y Servicio de Sears para obtener reposiciones.

Estas etiquetas son fáciles de aplicar y fungirán como constantes recordatorios visuales para usted, y otros que puedan llegar a usar el equipo, para que sigan las medidas de seguridad necesarias para una operación eficaz y sin percances.



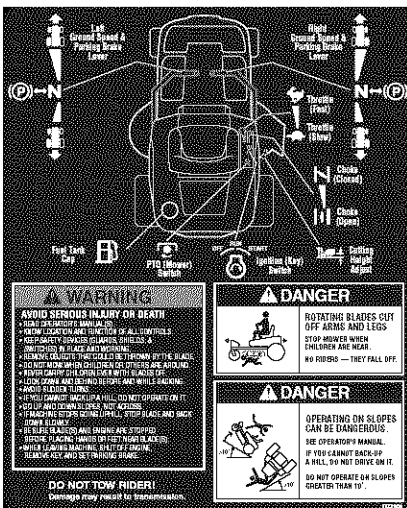
**Calcomanía - Operación, Superior**  
No. de parte 1727855



**Calcomanía - Interruptor de Encendido**  
No. de parte 1726526



**Calcomanía - Válvulas de Seguridad de la Transmisión**  
No. de parte 1720543



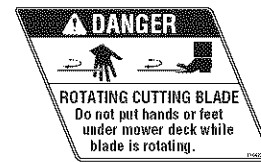
**Calcomanía - Peligro/Advertencia, Inferior**  
No. de parte 1727856



**Calcomanía - Ajuste de Altura de Corte**  
No. de parte 1726642



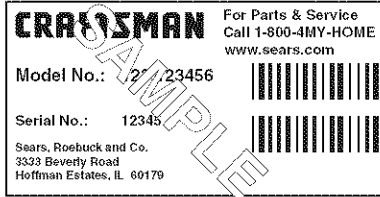
**Calcomanía - Peligro, Aspas Giratorias**  
No. de parte 1704277



**Calcomanía - Peligro, Aspas Giratorias**  
No. de parte 1704276



# NÚMEROS DE IDENTIFICACIÓN



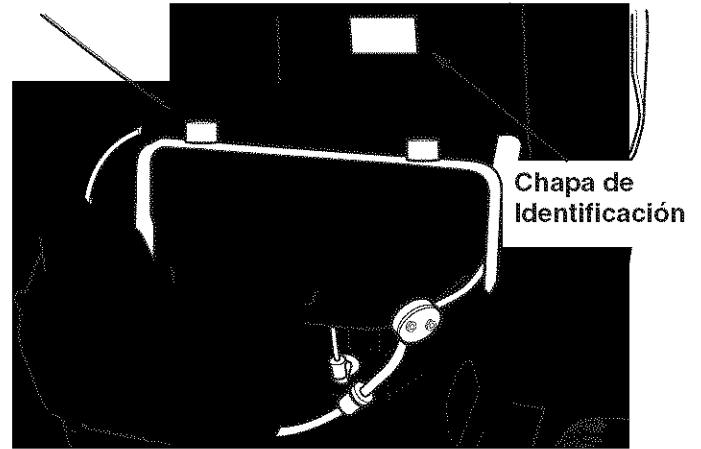
Cuando se ponga en contacto con el centro de servicio para obtener partes de repuesto, servicio o información usted **DEBERÁ** proporcionar estos números.

Anote el nombre/número del modelo, números de identificación del fabricante y los números de serie del motor en el espacio provisto para su fácil acceso.

La chapa de identificación se encuentra en la cara inferior de la cubierta del asiento. Incline la tapa del asiento hacia adelante para ganar acceso a la chapa de identificación.

Para obtener respuestas a sus preguntas sobre el producto, llame al: 1-800-659-5917

Servicio Telefónico de Asistencia de Sears Craftsman, 5 am - 5 pm, Lunes - Sábado.



## DATOS DE REFERENCIA DEL PRODUCTO

Nombre/Número de Descripción del Modelo	
Número de INVENTARIO	Número de SERIE de la Unidad
Fecha de Compra	
<b>DATOS DE REFERENCIA DEL MOTOR</b>	
Marca del Motor	Modelo del Motor
Tipo/Espec del Motor	Código/Número de Serie del Motor

# ACCESORIOS OPCIONALES

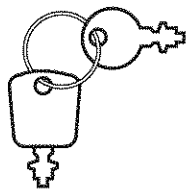
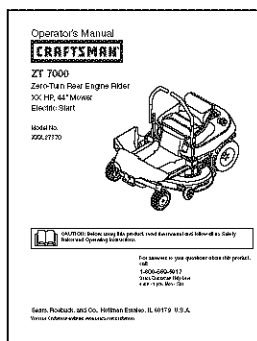
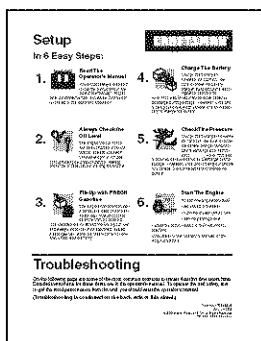
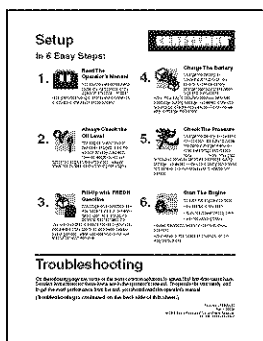
- Recolector de Hierba con Bolsa Gemela
- Faro delantero

# CONTENIDO DEL PAQUETE DE LITERATURA

Instrucciones de  
Disposición - Inglés

Instrucciones de  
Disposición - Español

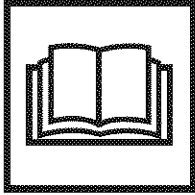
Manual del Operador y Libro de  
Partes - Inglés/Español



Llaves

# PRE-OPERACIÓN

1.

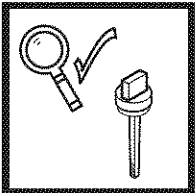


## Leer el Manual del Operador

Usted siempre debe leer y seguir las instrucciones en el manual del Operador. En este importante documento encuentra información sobre

el debido cuidado, consejos de rendimiento y seguridad.

2.

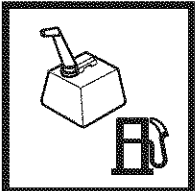


## Siempre Verificar el Nivel del Aceite

El motor en su tractor fue embarcado, de fábrica, lleno con aceite 10W-30 de peso para usar durante el periodo de asentado del motor.

Siempre verifique el nivel del aceite antes de arrancar el motor.

3.

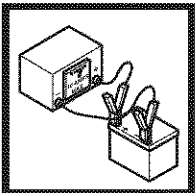


## Llenar con Gasolina FRESCA

¡El problema singular más común de servicio es el combustible viciado o contaminado! El combustible no debe tener más de 30 días.

Use un estabilizador de combustible para extender la vida de su combustible y siempre almacene el combustible en un envase plástico aprobado y sellado para gasolina. La limpieza interior de combustible no está cubierta por su garantía.

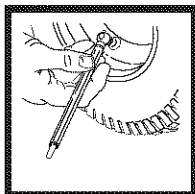
4.



## Recargar la Batería

• Levante la tapa del asiento para ganar acceso a la batería. Si la unidad se envía a servicio después del mes y año indicados en la fecha señalada en la batería (en la parte superior) recargue la batería por una hora a 6-10 amps. Consulte la sección de SERVICIO Y AJUSTES del manual del operador respecto a la información de recarga de la batería.

5.



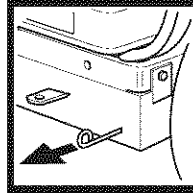
## Verificar Presión de Llantas

Verifique la Presión de las Llantas. Las llantas están demasiado infladas para fines del embarque y deben ponerse a la presión correcta para que tengan una tracción óptima.

Presión de Llanta Trasera: 10-12 PSI (1.24-1.38 bar)

Presión de Llanta Delantera: 18-20 PSI (.69-.83 bar)

6.



## Saque la unidad de la caja

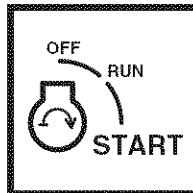
Para sacar la unidad de la caja:

• Ajuste AMBAS palancas de desenganche de la transmisión en posición

PUSH colocando las palancas hacia atrás (las palancas están localizadas en la parte posterior del montable)

- Corte las bandas de acero que sujetan el montable a la tarima (6 bandas).
- Mueva las palancas de control de la velocidad en suelo en la posición DRIVE.
- Ajuste la altura de corte de la segadora en la posición más alta.
- Doble el cartón de empaque de la unidad a la mitad, y colóquelo por debajo de las llantas delanteras de la unidad.
- Empuje la unidad para sacarla de la caja.
- Regrese las palancas de la válvula de desenganche de la transmisión a la posición DRIVE (las palancas hacia dentro).

7.



## Encienda el motor

Para encender el motor:

• Al estar sentado en el asiento del operador, coloque las palancas de control de velocidad en suelo en la

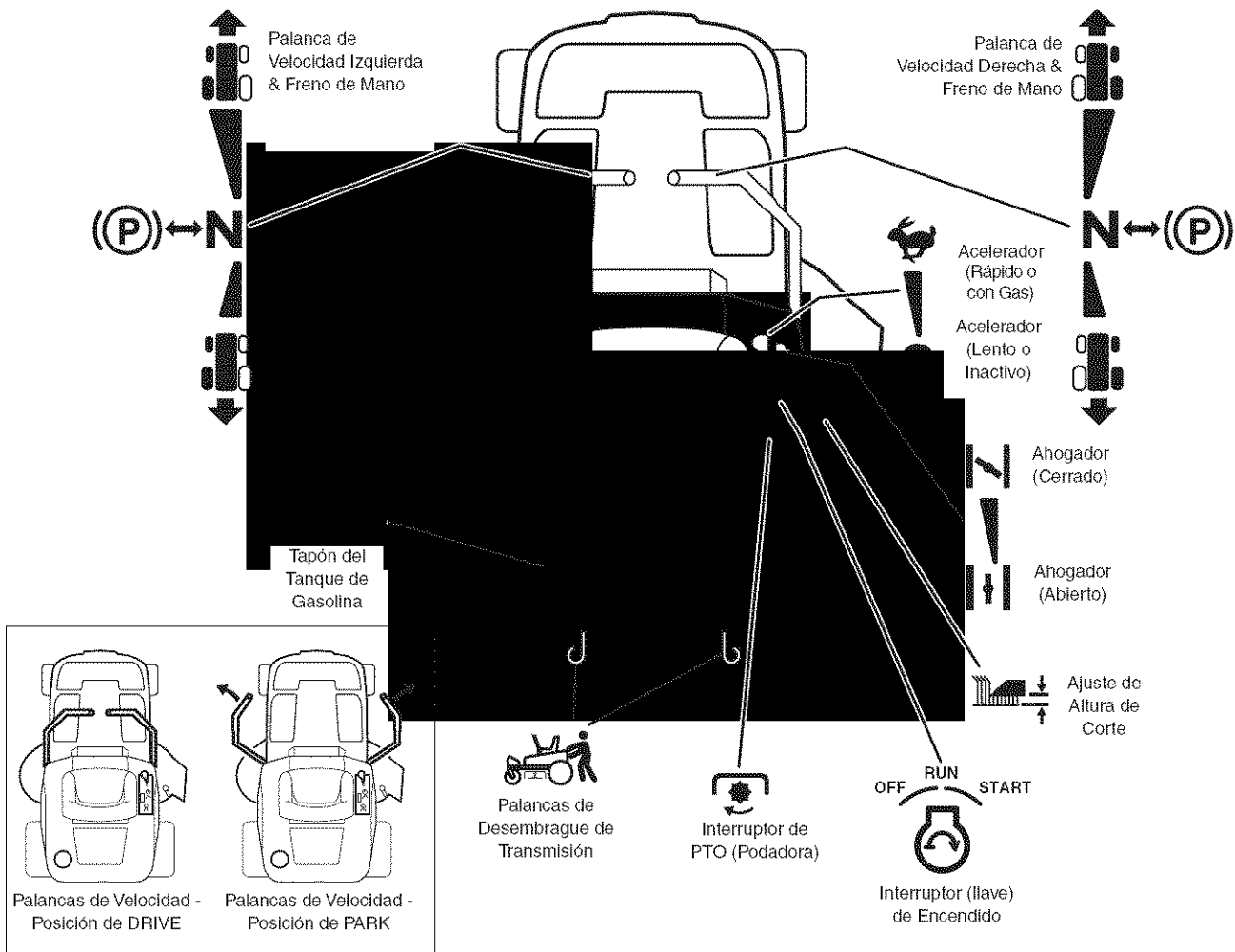
posición PARK (las palancas quedarán hacia afuera) Asegúrese que el interruptor PTO amarillo se encuentre en posición OFF (apagado).

- Mueva el control de gases del motor completamente hacia adelante en la posición FAST (rápido).
- Coloque el control del ahogador en la posición CLOSED (cerrado)

*NOTA: Si la máquina está caliente no requerirá ser ahogada. En ese caso, coloque el control del ahogador en la posición OPEN (abierta)*

- Inserte la llave en el interruptor de la ignición y gire a la posición de START (encendido).
- Después de que el motor haya arrancado, gradualmente mueva el control del ahogador en la posición de OPEN (abierto). Caliente el motor dejándolo andando por lo menos un minuto antes de encender el interruptor PTO, o antes de manejar la unidad.
- Después de calentar el motor, SIEMPRE opere la unidad con el ahogador en la posición de FAST (rápido) al cortar el césped.
- Refiérase a la sección de OPERACION para información del manejo de la unidad.

# OPERACIÓN



## FUNCIONES DE CONTROL

Figura 1. Controles

La información abajo describe brevemente la función de los controles individuales. Arrancar, detenerse, conducir y podar el césped requiere del uso combinado de varios controles aplicados en secuencias específicas. Para aprender qué combinaciones y secuencia de controles deben usarse para diversas tareas le rogamos que lea la sección completa.

### Palancas de velocidad en suelo / Freno de parada

Estas palancas controlan la velocidad en suelo y el freno de parada del montable. La palanca izquierda controla la rueda de tracción posterior izquierda y la palanca derecha controla la rueda de tracción posterior derecha y el freno de parada.

Al empujar las palancas en dirección contraria del regazo del operador, el freno de parada quedará fijo en la posición de PARK (recuadro, Figura 1). Al jalar las palancas a través del regazo del operador las palancas quedarán fijas en la posición de DRIVE.

Desde la posición de DRIVE, al mover la palanca hacia adelante se incrementará la velocidad hacia adelante "FORWARD" de la rueda en relación. Al mover la palanca hacia atrás se incrementará la velocidad en reversa "REVERSE". Mientras más se empuje la palanca, la rueda de tracción girará más rápido.

Refiérase a PRACTICA DE MANEJO para instrucciones 44 de giro.

### Control de Aceleración

El acelerador controla la velocidad del motor. Siempre opere con el acelerador en FULL al podar el césped. Mueva la palanca hacia adelante hasta el freno mecánico para acelerar en FULL (RÁPIDO). Mueva el acelerador hacia atrás para disminuir la velocidad del motor a IDLE (LENTO).

### Ahogador

Cierre el ahogador para un arranque en frío. Abra el ahogador ya que haya encendido el motor. Si el motor está caliente no requerirá ser ahogado. Mueva la palanca hacia adelante para cerrar el ahogador. Mueva la palanca hacia atrás para abrir el ahogador.



## Ajuste de Altura de Corte de Podadora

Para ajustar la altura de corte, gire la manivela a la derecha para subir la cubierta de la podadora y a la izquierda para bajar la cubierta de la podadora.



## Interruptor de Encendido

El interruptor de encendido arranca y detiene el motor; tiene tres posiciones:

**OFF (apagado)** Detiene el motor y corta el sistema eléctrico.

**RUN (activo)** Permite que el motor corra y suministra energía al sistema eléctrico.

**START (arrancar)** Mueve el motor para que arranque.

*NOTA: Nunca deje el interruptor de encendido en la posición de RUN con el motor detenido. Esto drena la batería.*



## Medidor de Horas

El medidor de horas mide la cantidad de horas que la llave lleva en la posición de RUN.

*NOTA: El medidor de horas registra el paso del tiempo cuando la llave está en posición de RUN, aun si el motor no está encendido.*

## Tanque de Gasolina

Para quitar el tapón, gire a la izquierda.



## Interruptor PTO

El interruptor PTO (Eliminador de Energía) embraga y desembraga un embrague eléctrico conectado al cigüeñal del motor. Este embrague eléctrico conduce y detiene la cubierta de la podadora. Para encender la podadora, jale el interruptor hacia ARRIBA. Empuje el interruptor hacia ABAJO para apagar la podadora. Tome en cuenta que el operador debe estar sentado firmemente en el asiento del conductor para que el PTO funcione.



## Palancas de Desembrague de Transmisión

Las palancas de desembrague de la transmisión desactivan las transmisiones para que la unidad pueda empujarse manualmente. Vea EMPUJAR LA UNIDAD MANUALMENTE respecto a la información operacional.

---

## SEGURIDAD GENERAL DE OPERACIÓN

Antes de la primera operación:

- Asegúrese de leer toda la información en las secciones de Seguridad y Operación antes de intentar operar el tractor o la podadora.
- Familiarícese con todos los controles y cómo detener la unidad.
- Conduzca en un área abierta sin podar el césped para acostumbrarse a conducir la unidad.



## ADVERTENCIA

**Si usted no entiende cómo funciona un control específico, o no ha leído con detenimiento la sección de FUNCIONES DE CONTROL, hágalo ahora. NO intente operar el tractor sin antes familiarizarse con la ubicación y la función de TODOS los controles.**

## VERIFICACIONES ANTES DE ARRANCAR

- Verifique que el aceite del cárter esté en la marca de lleno de la varilla de nivel de aceite.
- Llene el tanque de gasolina con combustible fresco.

## RECOMENDACIONES DE COMBUSTIBLE

**Para operación diaria:** Use sólo gasolina sin plomo donde la calcomanía de la bomba indique un octanaje de 87 o mayor. El gasohol (hasta 10% de alcohol etílico, 90% de gasolina sin plomo por volumen) está aprobado como combustible. El Metilertbutil Éter (MTBE, por sus siglas en inglés) y las mezclas de gasolina sin plomo (hasta un máximo de 15% MTBE por volumen) están aprobados como combustible. Ninguna otra mezcla de gasolina/alcohol o gasolina/éter está aprobada. No use aditivos para gasolina excepto el estabilizador de combustible.

**Para almacenamiento:** PRECAUCIÓN: Los combustibles mezclados con alcohol (llamados gasohol o usando etanol o metanol) puede atraer humedad que lleva a la separación y formación de ácidos durante el almacenamiento. El gas ácido puede dañar la instalación de combustible de un motor mientras está en almacenamiento.

Para no tener problemas con el motor, use "estabilizador de gasolina", especialmente si la gasolina ha estado guardada más de 30 días. Vea las instrucciones de ALMACENAMIENTO para obtener información adicional.

Nunca use productos de limpieza para motores o carburadores en el tanque de gasolina o pueden ocurrir daños permanentes. Para agregar combustible:

1. Quite el tapón de la gasolina (A, Figura 2).
2. Llene el tanque. No llene demasiado. Deje espacio en el tanque para la expansión del combustible.
3. Instale y apriete manualmente el tapón de la gasolina.

## ⚠️ ADVERTENCIA

**Nunca permita que pasajeros se paseen en la unidad.**

**Antes de dejar el puesto del operador por cualquier razón, accione el freno de mano, desacople el PTO, detenga el motor y quite la llave.**

**Para reducir el peligro de un incendio, mantenga el motor, el tractor y la podadora libre de césped, hojas y aceite excesivo. No detenga ni estacione el tractor sobre hojas secas, césped o materiales combustibles.**

**La gasolina es altamente inflamable y debe manejarse con cuidado. Nunca llene el tanque cuando el motor todavía está caliente por la reciente operación. No permita que nadie se acerque con llamas abiertas, cigarrillos o cerillos al área. Evite llenar demasiado y quite lo derramado con un trapo.**

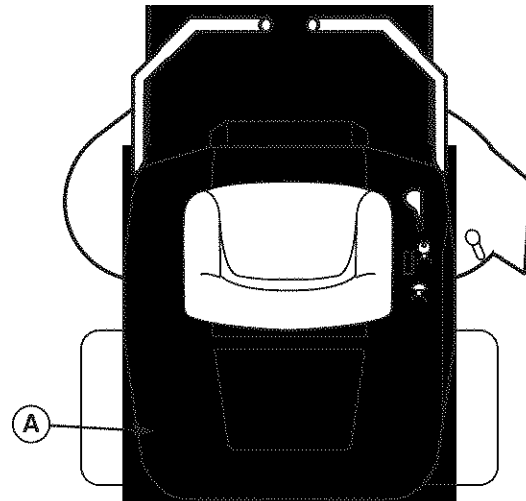


Figura 2. Verificaciones Previas al Arranque  
A. Tapón del Tanque de Gasolina

## ⚠️ ADVERTENCIA

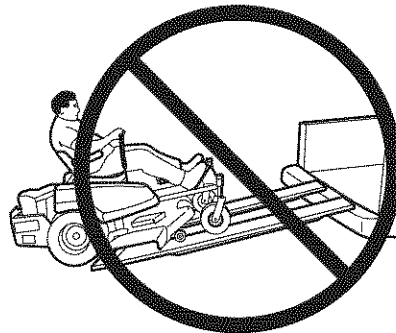
**Nunca opere en cuestas mayores a 17.6 por ciento (10°) lo cual es una inclinación de 3-1/2 pies (106cm) verticalmente en 20 pies (607cm) horizontalmente.**

**Seleccione la velocidad lenta antes de conducir cuesta arriba. Sea extremadamente precavido al operar en cuestas con un recolector de hierba montado en la parte trasera.**

**Puede el césped de la cuesta de un lado a otro, no hacia arriba y abajo. Sea precavido al cambiar de dirección y NO ARRANQUE NI SE DETENGA EN UNA CUESTA.**

## ⚠️ ADVERTENCIA - REMOLQUES

**No cargue este tractor de giro cero en un remolque o camioneta usando dos rampas separadas. Sólo use una sola rampa que por lo menos sea un pie más ancho que las llantas de la parte trasera de este tractor. Este tractor tiene un radio de giro cero y las llantas pueden caer de las rampas, o el tractor puede volcarse lesionando al operador o a los espectadores.**



## PARO DE EMERGENCIA

En el caso de una emergencia, el motor puede detenerse simplemente girando el interruptor de encendido a STOP. Use este método sólo en situaciones de emergencia. Para apagar el motor normalmente, siga el procedimiento dado en DETENER EL TRACTOR Y EL MOTOR.

## COMO PARAR EL MONTABLE Y EL MOTOR

1. Al regresar las palancas de control de velocidad en suelo a la posición de PARK (parado) dejará de moverse el montable y el freno de parada quedará engranado.
2. Pare la segadora oprimiendo el interruptor PTO.
3. Modelos Briggs & Stratton: Mueva el control del ahogador en la posición de SLOW (despacio) y gire la llave de la ignición en la posición de OFF (apagado). Remueva la llave. Modelos Kohler: Mueva el control del ahogador en la posición FAST (rápido) y gire la llave de la ignición en la posición de OFF (apagado). Remueva la llave.

## COMO ARRANCAR EL MOTOR

1. Al estar sentado en el asiento del operador, asegúrese que el interruptor PTO se encuentre en la posición OFF (apagado) y que las palancas de control de la velocidad en suelo estén fijadas en la posición de PARK (parado).
2. Mueva el control de gases del motor completamente hacia adelante en la posición FAST (rápido). Fije el control del ahogador en la posición de CLOSED (cerrado)

*NOTA: Si la máquina está caliente no requerirá ser ahogada. En ese caso, coloque el control del ahogador en la posición OPEN (abierto)*

3. Inserte la llave en el interruptor de la ignición y gire a la posición de START (encendido).
4. Después de que el motor haya arrancado, gradualmente mueva el control del ahogador en la posición de OPEN (abierto). Caliente el motor dejándolo andando por lo menos un minuto antes de encender el interruptor PTO, o antes de manejar la unidad.
5. Después de calentar el motor, SIEMPRE opere la unidad con el ahogador en la posición de FAST (rápido) especialmente al cortar el césped.

## COMO CORTAR EL PASTO

1. Asegúrese que el interruptor PTO esté en la posición OFF (apagado), que las palancas de control de velocidad en suelo estén fijadas en la posición de PARK (parado) y que el operador se encuentre en el asiento.
2. Coloque la altura de corte de la segadora en la posición deseada.
3. Arranque el motor (refiérase a COMO ARRANCAR EL MOTOR).
4. Fije el ahogador en la posición de FAST (rápido).
5. Gire el interruptor PTO en la posición ON (encendido) para engranar la base de la segadora.
6. Mueva las palancas de control de la velocidad en suelo de la posición de PARK (parado) a la posición de DRIVE (propulsión) (las palancas quedarán hacia adentro a través del regazo del operador).

7. Comience a cortar el césped. Refiérase a PRACTICA DE MANEJO.
8. Al terminar, coloque el interruptor PTO en la posición OFF (apagado).
9. Pare el motor (refiérase a COMO PARAR EL MONTABLE Y EL MOTOR).

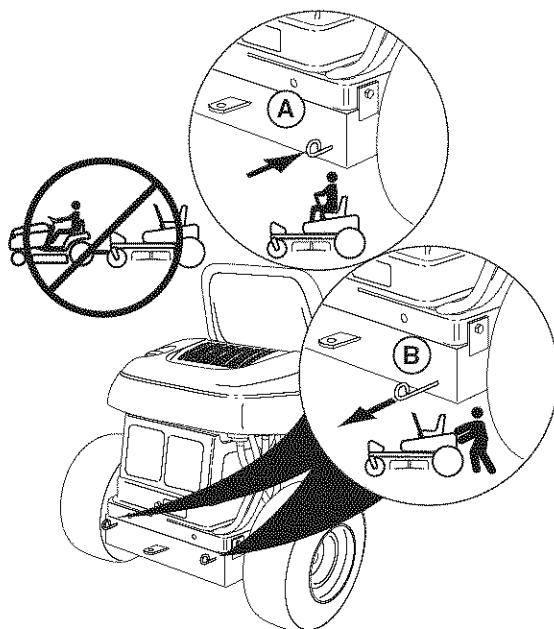
## COMO EMPUJAR EL MONTABLE MANUALMENTE

1. Gire el interruptor PTO en la posición OFF (apagado), fije las palancas de control de velocidad en suelo en la posición de PARK (parado) gire el interruptor de la ignición a la posición de OFF (apagado), retire la llave y espere a que todos los componentes que estén en movimiento se paren.
2. Localice las palancas de liberación de la transmisión (A y B, Figura 3) en la parte posterior de la unidad.
3. Jale ambas palancas hacia atrás y hacia abajo para liberar la transmisión (posición B, Figura 3).
4. Coloque las palancas de control de velocidad de suelo en la posición de DRIVE (propulsión) (las palancas quedarán hacia dentro). El montable ya podrá ser empujado manualmente.
5. Después de mover el montable, coloque las palancas de control de velocidad de suelo en la posición de PARK (parado) y empuje las dos palancas de liberación de la transmisión hacia adelante para volver a engranar la transmisión (posición A, Figura 3).



### NO REMOLQUE EL TRACTOR

Remolcar la unidad dañará la transmisión. No use otro vehículo para empujar o jalar la unidad.



**Figura 3. Palanca de Desembrague de la Banda**  
A. Posición de Drive  
B. Posición de Empujar

## PRÁCTICA DE MANEJO - MANEJO BÁSICO

**ADVERTENCIA:** Nunca opere en cuestas mayores a 17.6% (10°). Vea OPERACIÓN EN CUESTAS en la sección de seguridad. Los tractores de giro cero operan de modo diferente a otros vehículos de cuatro ruedas. Las ruedas de tracción también son sus ruedas de dirección. Si usted no puede conducir la unidad en una colina, usted no podrá dirigir la unidad en ella. Operar unidades de giro cero en cuestas requiere de precauciones extremas.

Los controles de palanca del tractor de giro cero son muy sensibles, y aprender a dominar los movimientos de avance, reversa y vuelta del tractor con eficiencia y sin problemas requiere práctica.

Dedique algo de tiempo probando las siguientes maniobras y para familiarizarse con cómo acelera, se traslada y dirige la unidad - antes de empezar a podar del césped - es absolutamente esencial para sacarle el mayor provecho al tractor de giro cero.

**Encuentre un área lisa y plana en su jardín** — un área con mucho espacio para maniobrar. (Antes de empezar quite del área cualquier objeto, gente y animales.) Opere la unidad a media aceleración durante esta sesión de práctica (SIEMPRE opere con el acelerador en FULL al podar el césped), y gire lentamente para evitar que derrapen las llantas y se dañe su jardín.

Le sugerimos que empiece con el procedimiento de traslado sin problemas a la derecha, y luego siga con las maniobras de avance, reversa y vuelta.

Usted debe poner el freno de mano en DRIVE antes de mover las palancas de control fuera de la posición de PARK.

### **!** ADVERTENCIA

No podes el césped en reversa a menos que sea absolutamente necesario. Siempre mire hacia abajo y hacia atrás antes de echarse en reversa y mientras lo hace.

#### Manejo Hacia Adelante

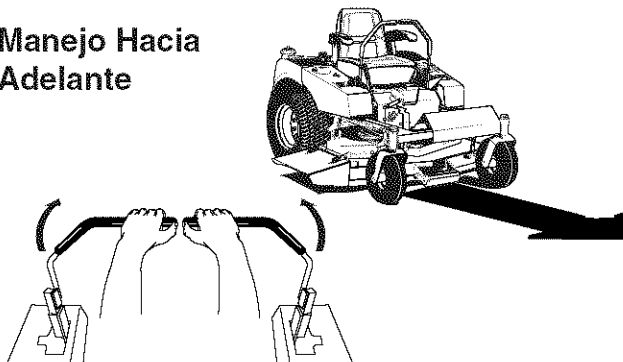


Figura 5. Manejo Hacia Adelante

#### Traslado sin problemas

Los controles de palanca del tractor de giro cero son altamente sensibles.

El MEJOR método de manejar las palancas del control de velocidad es en tres pasos - como se muestra en la Figura 4.

PRIMERO coloque sus manos en las palancas como se muestra.

SEGUNDO, para avanzar empuje gradualmente la palanca hacia adelante con sus palmas.

TERCERO, para acelerar mueva las palancas más hacia adelante. Para bajar suavemente la velocidad, mueva las palancas lentamente hacia atrás en dirección de neutral.

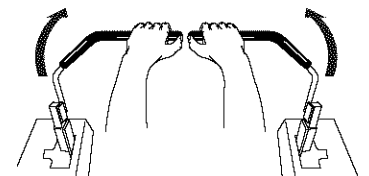
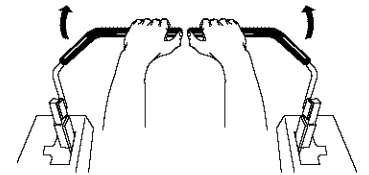
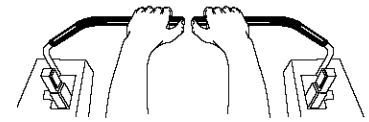


Figura 4. Mover las Palancas de Control Gradualmente

#### Práctica en el Manejo Hacia Adelante

Gradualmente mueva las dos palancas del control de velocidad HACIA ADELANTE de modo uniforme lejos del neutral. Desacelere y repita.

#### Reverse Travel Practice

MIRE HACIA ATRÁS Y ABAJO, luego mueva gradualmente las dos palancas del control de velocidad HACIA ATRÁS de modo uniforme lejos del neutral. Desacelere y repita.

*NOTA: Practique echarse en reversa durante varios minutos antes de intentar hacerlo cerca de algún objeto. El tractor gira tan abruptamente en reversa como cuando va hacia adelante, y andar en reversa en línea recta requiere de práctica.*

#### Manejo en Reversa

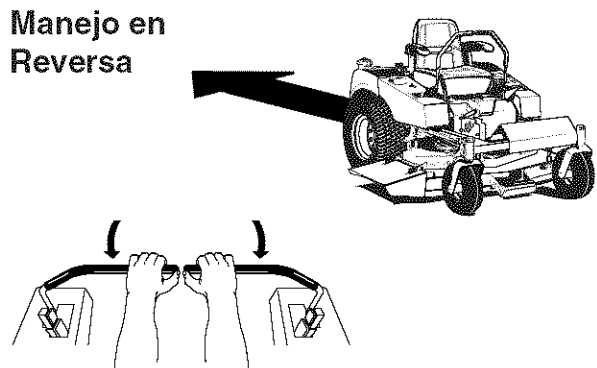


Figura 6. Manejo en Reversa



## Práctica de dar Vuelta en una Esquina

Mientras viaja hacia adelante permita que una palanca regrese gradualmente en dirección del neutral. Practique varias veces antes de podar el césped.

*NOTA: Para evitar girar directamente sobre la banda de rodamiento, es mejor mantener las dos ruedas en marcha hacia adelante aunque sea ligeramente.*

### Ejecutar Vueltas

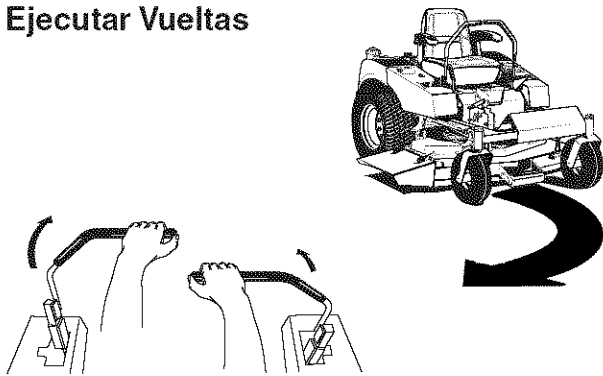


Figura 7. Vuelta a la Derecha

## Práctica de Vuelta en el Lugar

Hacer un "giro cero" significa girar en el mismo lugar. Para dar la vuelta en el mismo lugar, gradualmente mueva la palanca de control de velocidad hacia adelante de neutral y una palanca hacia atrás del neutral simultáneamente. Repita varias veces.

### Vuelta en el Mismo Lugar



Figura 8. Vuelta en el Mismo Lugar

## MANEJO AVANZADO

### Ejecutar un Giro Cero al Final de la Fila

La habilidad única de su tractor de giro cero de dar vuelta en su lugar le permite dar la vuelta al final de una fila de corte en vez de tener que detenerse y hacer una vuelta en U antes de iniciar con la siguiente fila.

Por ejemplo, para ejecutar un giro cero de final de fila a la derecha:

1. Desacelere al final de la fila.
2. Mueva la palanca de control velocidad IZQUIERDA ligeramente hacia adelante mientras que mueve la palanca de control velocidad DERECHA de regreso al centro y luego ligeramente de regreso del centro.
3. Empiece de nuevo a podar el césped hacia adelante.

Esta técnica gira el tractor a la DERECHA y se traslapa ligeramente con la fila recién cortada - eliminando la necesidad de regresar y cortar de nuevo el césped omitido.

*A medida que se familiarice más y tenga experiencia con la operación del tractor de giro cero, usted aprenderá más maniobras que le harán más fácil y agradable el podado del césped.*

**¡Recuerde que entre más practique, mejor controlará el tractor!**

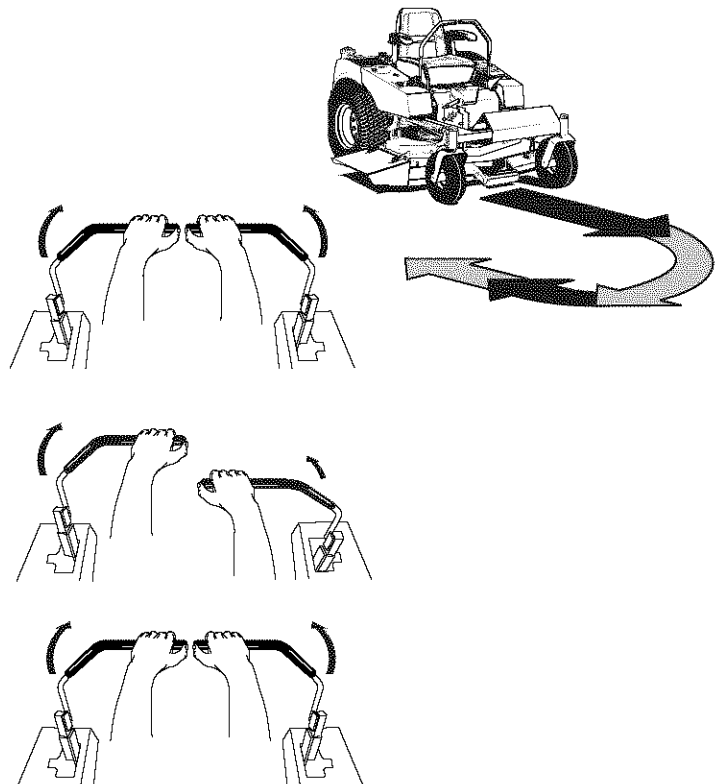


Figura 9. Ejecutar una Vuelta al Final de la Fila

## REMOCIÓN E INSTALACIÓN DE LA CUBIERTA DE LA PODADORA

NOTA: Ejecute la remoción e instalación de la podadora sobre una superficie dura y nivelada como un piso de concreto.

### **ADVERTENCIA**

Accione el freno de mano, desacople el PTO, detenga el motor y quite la llave antes de intentar instalar o quitar la podadora.

### Quitar la Cubierta de la Podadora

1. Apague el PTO, ponga el freno de mano en PARK, apague el encendido, quite la llave y espere a que se detengan todas las partes en movimiento.
2. Gire las ruedas delanteras del tractor hacia adelante.
3. Coloque la manivela de ajuste de la altura de la podadora (D, Figura 10) en la posición de corte más bajo.
4. Libere la tensión en la banda de tracción usando la palanca de desembrague de la banda en la podadora (E, Figura 10) y quite la banda de tracción de la polea del motor.
5. Desconecte el enganche frontal quitando la varilla y el clip del enganche (A, Figuras 10 y 11), y levantar el enganche de la podadora (B) hacia y fuera del collar de fijación del enganche del tractor (D).
6. Deslice la cubierta de la podadora hacia adelante hasta que los soportes de la podadora trasera (C) desacoplen el bastidor del tractor.
7. Deslice la cubierta de la podadora hacia afuera desde abajo del lado derecho del tractor.

### Instalar la Cubierta de la Podadora

1. Gire las ruedas delanteras del tractor hacia adelante.
2. Coloque la manivela de ajuste de la altura de corte (D, Figura 10) en la posición de corte más bajo.
3. Deslice la cubierta de la podadora abajo del lado derecho del tractor. Deslice la podadora hacia atrás asegurándose de que los soportes de la podadora trasera (C, Figura 11) se deslicen arriba de las rampas en el bastidor. La parte trasera de la podadora es apoyada por estas rampas del bastidor.
4. Cuelgue el enganche de la podadora (B, Figura 11) en el collar de fijación del enganche del tractor (D) y asegure la varilla y el clip del enganche (A).
5. Use la palanca de desembrague de la banda en la podadora (E, Figura 12) para liberar la tensión en la polea tensora de la podadora e instale la banda de tracción como se muestra en la Figura 1.

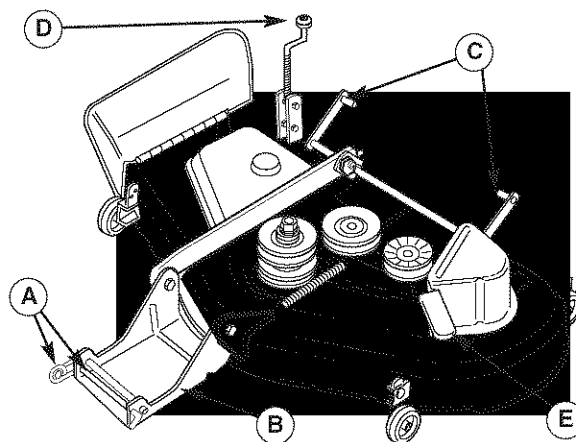


Figura 10. Componentes de la Podadora

- A. Varilla y Clip del Enganche
- B. Enganche de la Podadora
- C. Soportes de la Podadora Trasera
- D. Manivela de Ajuste de la Altura de Corte
- E. Palanca de Desembrague de la Banda en la Podadora

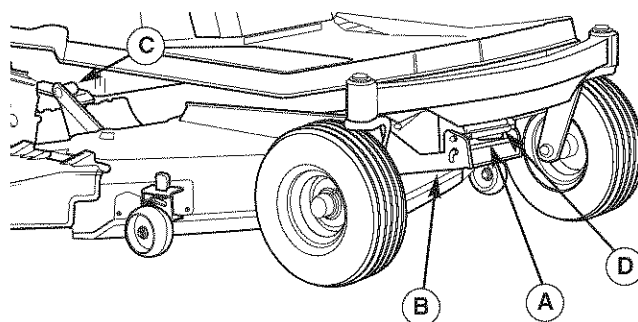


Figura 11. Componentes del Enganche de la Podadora

- A. Varilla y Clip del Enganche
- B. Enganche de la Podadora
- C. Soportes de la Podadora Trasera
- D. Collar de Fijación del Enganche del Tractor

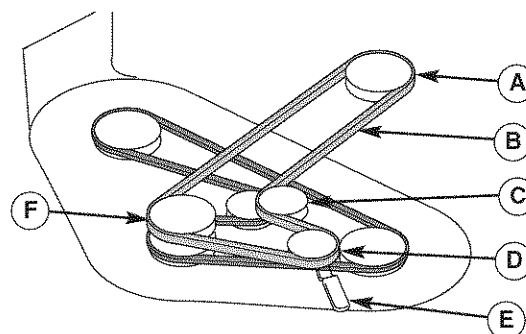


Figura 12. Disposición de Banda de Podadora

- A. Polea del Motor
- B. Banda de Tracción de la Podadora
- C. Polea Tensora del Lado Posterior
- D. Polea Tensora en V
- E. Palanca de Desembrague de la Banda de Podadora
- F. Polea Motriz de la Podadora

# MANTENIMIENTO

## PROGRAMA DE MANTENIMIENTO

El siguiente programa debe seguirse para el cuidado normal de su tractor y podadora.

MANTENIMIENTO DEL MONTABLE, de todos los modelos	Antes de cada uso	Primavera y Verano	8 Horas	25 Horas	100 Horas	200 Horas	Anual mente
Limpie el residuo del montable y del compartimiento del motor *	•						
Limpie el residuo de las áreas de refrigeración del motor y del filtro de aire *	•						
Verifique la presión de las llantas				•			
Lubrique el montable y la segadora *				•			
Limpie la base y verifique/reemplace las cuchillas de la segadora				•			
Limpie la batería y los cables					•		
Verifique el sistema de seguridad del montable **		•			•		•
Verifique / ajuste el embrague PTO						•	

MANTENIMIENTO DEL MOTOR 20HP Kohler	8 Horas o Diariamente	25 Horas o 2 Meses	100 Horas o Anualmente	200 Horas o 2 Años	200 Horas	500 Horas
Verifique el nivel de aceite del motor *	•					
Verifique el purificador de aire y la admisión *	•					
Verifique/limpie las aletas de refrigeración y la admisión *	•					
Dele servicio al filtro de aire *		•				
Cambie el aceite y el filtro *			•			
Remueva la cubierta, limpie las aletas de refrigeración *			•			
Reemplace el filtro del combustible †			•			
Verifique y ajuste / Reemplace la bujía de encendido				•		•
Dele servicio al propulsor del arrancador, verifique y ajuste la holgura de la válvula †					•	

MANTENIMIENTO DEL MOTOR, 22HP Briggs & Stratton	8 Horas o Diariamente	25 Horas o Cada Estación	50 Horas o Cada Estación	100 Horas o Cada Estación	200 Horas o Cada Estación	Anual mente
Verifique el nivel del aceite del motor *	•					
Dele servicio al prepurificador de aire *		•				
cambie el aceite *			•			
Dele servicio al filtro de aire *			•			
Cambie el aceite y el filtro *				•		
Limpie las aletas de refrigeración *				•		
Reemplace el filtro aire					•	
Reemplace las bujías de encendido						•
Reemplace el filtro del combustible †						•
Verifique la holgura de la válvula †						•

\* Más frecuentemente en climas con temperaturas altas (más de 85° F: 30° C) o funcionamiento en condiciones polvorientas.

\*\* Verifique el funcionamiento del sistema de seguridad cuando la unidad haya estado almacenada por 30 días o un período mayor.

† Estos servicios deberán ser efectuados por Sears u otro taller de servicio calificado.

## Elementos de Mantenimiento del Tractor

### LIMPIAR DESPOJOS DEL TRACTOR Y DEL COMPARTIMIENTO DEL MOTOR

**Intervalo de Servicio:** Antes de cada uso.

**PRECAUCIÓN:** Si no se quitan los despojos del compartimiento del motor y otras superficies calientes, se crea un peligro de incendio. Antes de arrancar la unidad al inicio de la sesión de podado de césped, elimine cualquier hierba cortada, mugre, hojas u otros despojos de la unidad. También limpie el interior del compartimiento del motor.

### LIMPIAR DESPOJOS DEL ÁREA DE ENFRIAMIENTO DEL MOTOR Y DEL FILTRO DE AIRE

**Intervalo de Servicio:** Antes de cada uso.

**PRECAUCIÓN:** Si no se quitan los despojos del compartimiento del motor y otras superficies calientes, se crea un peligro de incendio. Antes de arrancar la unidad al inicio de la sesión de podado de césped, levante el asiento y limpie cualquier despojo de la rejilla de admisión en la parte superior del motor (A, Figura 13), el abanico de enfriamiento expuesto del motor y alrededor de la instalación del filtro de aire. También abra la tapa del filtro de aire (B) y elimine cualquier suciedad que se haya acumulado en el compartimiento del filtro de aire.

### VERIFICAR PRESIÓN DE LAS LLANTAS

**Intervalo de Servicio:** 25 horas.

La presión de las llantas debe revisarse periódicamente y mantener en los niveles mostrados en la Figura 14. Tome en cuenta que las presiones pueden diferir ligeramente de la "Inflación Máx" estampada a los lados de las llantas. Las presiones mostradas ofrecen una tracción apropiada, mejor calidad de corte y vida extendida para las llantas.

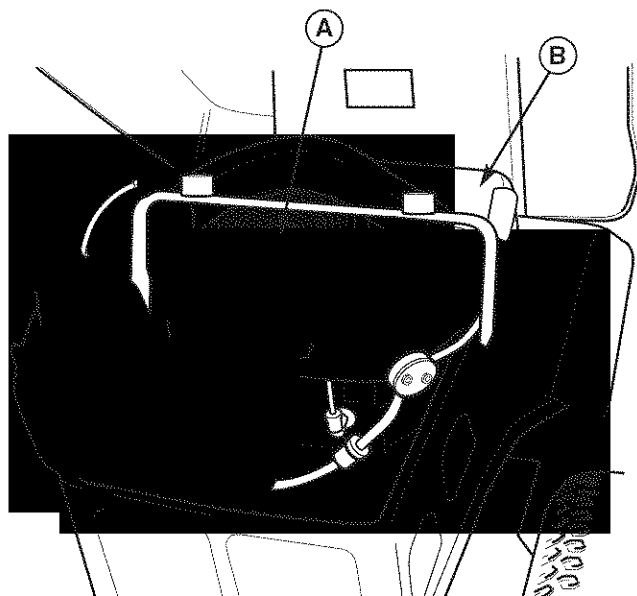
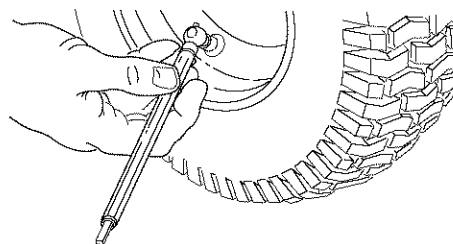


Figura 13. Compartimiento del Motor  
A. Rejilla de Admisión  
B. Cubierta del Filtro de Aire



Llanta	Presión
Delantera	18-20 psi (1.24-1.38 bar)
Trasera	10-12 psi (.69-.83 bar)

Figura 14. Presión de las Llantas

# LUBRICACIÓN

**Intervalo de Servicio:** 25 horas.

Lubrique la unidad en los lugares mostrados en las Figuras 15 a 17 así como en los siguientes puntos de lubricación.

**Grasa:**



- engrasadores de la rueda delantera
- bujes de la rueda delantera
- pivotes de la podadora
- árboles de sujeción de la podadora

Use engrasadores cuando estén presentes.

No todas las grasas son compatibles. Use grasa de litio de tipo automotriz.

**Aceite:**



- pivote del bastidor trasero
- acoplamiento hidráulico
- acoplamiento del freno
- puntos del pivote del bastidor
- acoplamiento del ajuste de altura de la cubierta de la podadora
- acoplamiento del freno

Generalmente, todas las partes de metal para podado deben engrasarse donde entran en contacto con otras partes. No ponga aceite ni grasa en las bandas y poleas. Recuerde limpiar con un trapo los acoples y superficies antes y después de la lubricación.

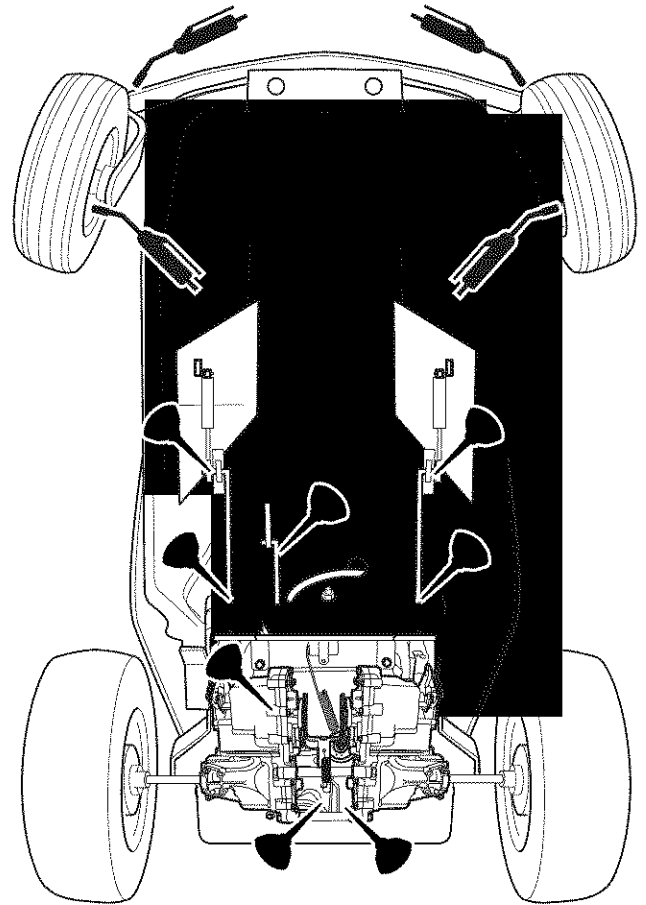


Figura 16b. Lubricación del Tractor

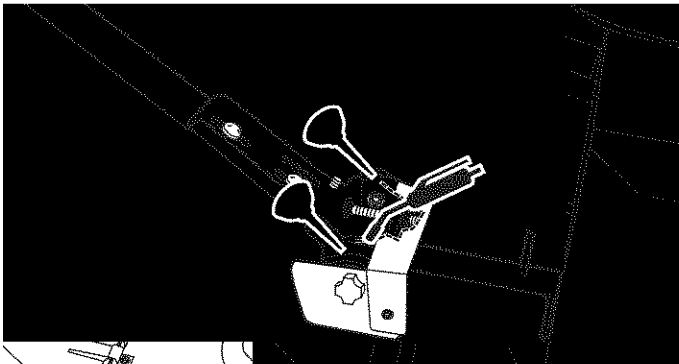


Figura 16a. Lubricación del Tractor

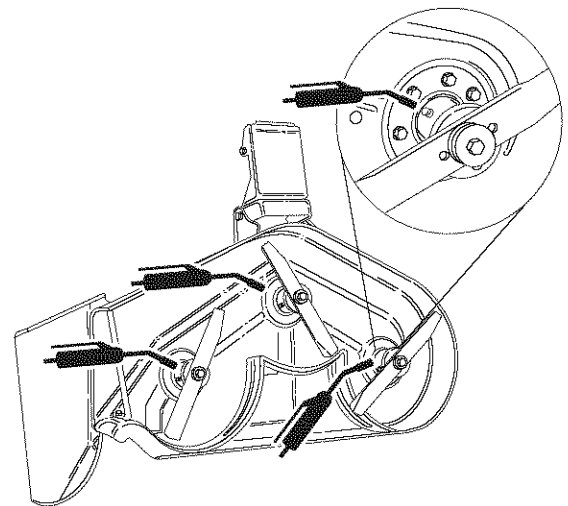


Figura 17. Lubricación del Árbol de Sujeción

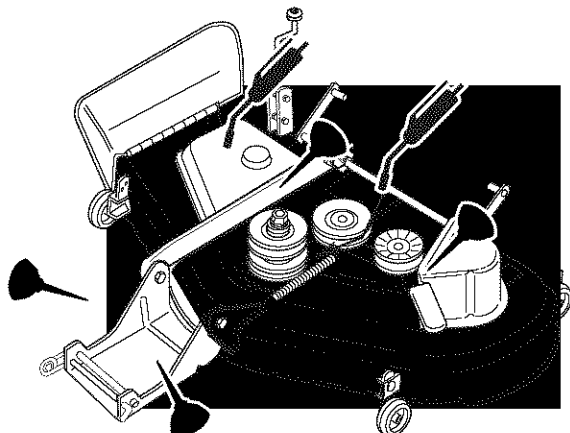


Figura 15. Lubricación de la Podadora

## LIMPIAR CUBIERTA Y VERIFICAR/ REEMPLAZAR ASPAS DE PODADORA

Intervalo de Servicio: 25 horas o según se requiera.

### **!** ADVERTENCIA

Para su seguridad personal, no maneje las aspas afiladas de la podadora con las manos descubiertas. El manejo imprudente o indebido de las aspas puede resultar en lesiones graves.

### **!** ADVERTENCIA

Para su seguridad personal, los tornillos de cabeza hexagonal para montar las aspas deben instalarse con una arandela acanalada y una arandela elástica, y luego apretar fijamente. Apriete el tornillo de cabeza hexagonal para montar el aspa a un par de torsión de 45 - 55 ft. lbs. (61 - 75 N.m.)

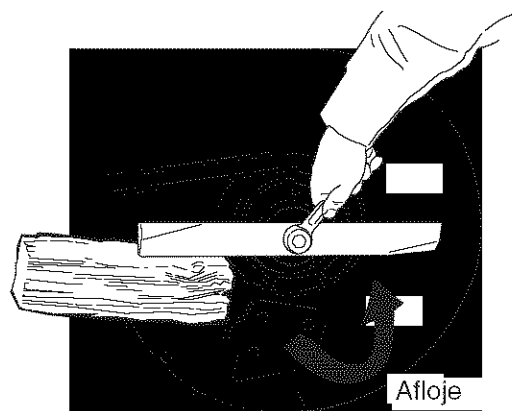


Figura 18. Remoción del Aspa



Figura 19. Equilibrar el Aspa

1. Quite la cubierta de la podadora (vea "Remoción de la cubierta de la podadora" en la sección de OPERACIÓN).
2. Vea la Figura 18. Quite el aspa para inspeccionarla o para ganar acceso seguro al lado inferior de la cubierta de la podadora. Use un bloque de madera para evitar que gire el aspa mientras afloja el tornillo de cabeza hexagonal girándolo a la izquierda.
3. Quite el tornillo de cabeza hexagonal (D, Figura 20), arandela elástica (C), arandela acanalada (B) y aspa.
4. Limpie el lado inferior de la cubierta de la podadora.
5. Inspeccione las aspas para ver que no tengan muescas o rebordes desafilados. Use una lima para afilar el aspa a un filo cortante. Si el aspa está dañada, debe reemplazarla.
6. Equilibre el aspa como se muestra en la Figura 19. Centre el orificio del aspa con un clavo lubricado con una gota de aceite. Un aspa equilibrada permanecerá nivelada. Si el aspa no está equilibrada, siga afilando el lado pesado hasta que esté equilibrada.
7. Reinstale el aspa con las aletas de izado (E, Figura 20) apuntando arriba hacia la cubierta de la podadora como se muestra.
8. Reinstale la arandela acanalada (B, Figura 20), arandela elástica (C) y tornillo de cabeza hexagonal (D). Use un bloque de madera (A) para evitar que el aspa gire mientras aprieta el tornillo de cabeza hexagonal (D) a 45-55 ft. lbs. (61-75 N.m). Gire el tornillo de cabeza hexagonal a la derecha para apretarlo.

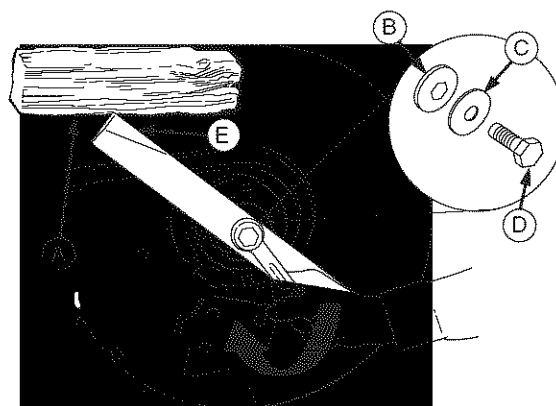


Figura 20. Instalación del Aspa

- A. Bloque de Madera de 4x4
- B. Arandela Acanalada
- C. Arandela Elástica
- D. Tornillo de Cabeza Hexagonal del Aspa
- E. Aletas de Izado

## LIMPIAR BATERÍA Y CABLES

### ADVERTENCIA

Tenga cuidado al manejar la batería. Evite derramar el electrolito. Mantenga llamas y chispas lejos de la batería. Cuando quite o instale los cables de la batería, desconecte PRIMERO el cable negativo y conéctelo al ÚLTIMO. Si no se hace en este orden, la terminal positiva puede causar un cortocircuito al bastidor con una herramienta.

Siempre use lentes de seguridad y guantes cuando maneje baterías.

**Intervalo de Servicio:** 200 horas

1. Desconecte los cables de la batería, primero el cable negativo (B, Figura 21).
2. Quite la banda de goma que sujeta la batería y quite la batería
3. Limpie la batería y el compartimiento de la batería con una solución de bicarbonato de sodio y agua.
4. Limpie las terminales de la batería y los extremos del cable con un cepillo de alambre hasta que brillen.
5. Reinstale la batería y sujétela con la banda de goma.
6. Reconecte los cables de la batería: primero conecte el cable positivo (vea A, Figura 21), luego conecte el cable negativo (B).
7. Aplique una capa de parafina o grasa no conductora a los extremos del cable y a las terminales de la batería.

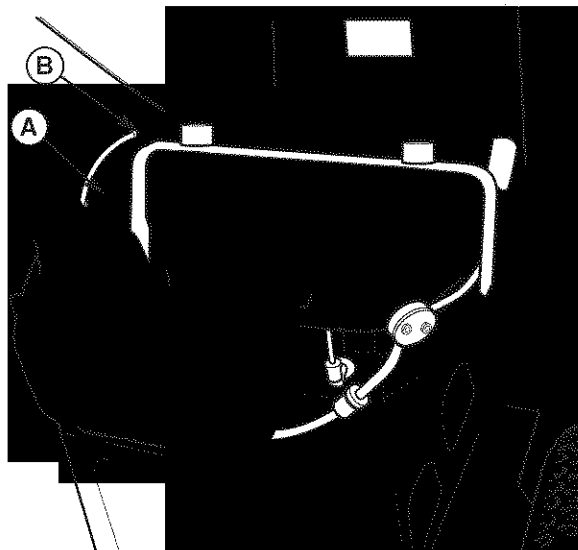


Figura 21. Compartimiento del Motor  
A. Cable Positivo (+) de la Batería  
B. Cable Negativo (-) de la Batería



### VERIFICAR SISTEMA DE SEGURIDAD DEL TRACTOR

**Intervalo de Servicio:** 200 Horas y Cada Primavera y Otoño

Esta unidad está equipada con interruptores de intercierre de seguridad. Estos sistemas de seguridad están presentes para su seguridad. No intente eludir los interruptores de seguridad y nunca manipule los dispositivos de seguridad. Verifique su operación con regularidad.

#### Verificaciones de SEGURIDAD Operacional

##### PRUEBA 1 — EL MOTOR NO DEBE ARRANCAR SI:

- El interruptor PTO está en ON, O BIEN
- Las palancas del control de velocidad no están en posición de PARK.

##### PRUEBA 2 — EL MOTOR DEBE ARRANCAR SI:

- El interruptor PTO está en OFF, Y
- Las palancas del control de velocidad están fijas en posición de PARK.

##### PRUEBA 3 - EL MOTOR DEBE APAGARSE SI:

- El operador se levanta del asiento con el PTO en ON, O
- El operador se levanta del asiento con las palancas de velocidad en suelo en posición de DRIVE (propulsión),
- El operador mueve la palanca que controla la velocidad para la izquierda, de la posición de "PARK", al mismo tiempo dejando la palanca que controla la velocidad para la derecha en "PARK" (las dos palancas deben ser activadas de "PARK" a "DRIVE" al mismo tiempo, esto, equitativa' que el motor se apague).

##### PRUEBA 4 - VERIFICACIÓN DE FRENO DE ASPAS

Las aspas y la banda de tracción de la podadora deben detenerse por completo en un lapso de cinco segundos después de poner el interruptor PTO en OFF. Si la banda de tracción de la podadora no se detiene en cinco segundos, póngase en contacto con el Centro de Partes y Reparaciones de Sears.

*NOTA: Una vez que se haya detenido el motor, debe poner el interruptor PTO en OFF, el freno de mano en PARK y las palancas del control de velocidad fijas en la posición de PARK para que pueda arrancar el motor.*



### ADVERTENCIA

Si la unidad no pasa una prueba de seguridad, no la opere. Visite un Centro de Partes y Reparaciones de Sears. Bajo ninguna circunstancia debe usted intentar vencer la finalidad del sistema del intercierre de seguridad.

## VERIFICAR/AJUSTAR EMBRAGUE DEL PTO

### ADVERTENCIA

Para evitar lesiones graves, sólo haga los ajustes con el motor detenido, la llave quitada y el tractor en terreno nivelado.

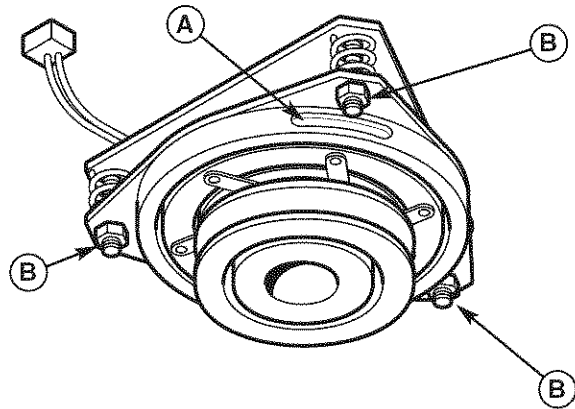
**Intervalo de Servicio:** 200 horas.

El embrague del PTO se embraga y desembraga con el interruptor PTO. El embrague suministra la energía y frena las aspas de la podadora. Verifique el ajuste del embrague del PTO cada 200 horas de operación. También realice el siguiente procedimiento si se barre el embrague, no embraga o si instaló un embrague nuevo.

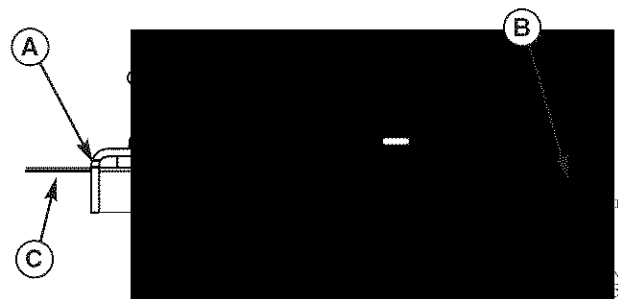
1. Quite la llave del interruptor de encendido y desconecte los cables de las bujías para evitar un posible arranque accidental mientras ajusta el PTO.
2. Vea la Figura 22. Tome nota de la posición de las 3 ventanas de ajuste (A) en el lado del disco portafreno y las tuercas mecánicas de ajuste (B).
3. Inserte una lámina calibradora (C) de .012"-.015" (2.5-4mm) por cada ventana, colocando el calibrador entre la cara del rotor y la cara del armazón como se muestra en la Figura 23.
4. Alternativamente apriete las tuercas de ajuste (B, Figura 22) hasta que la cara del rotor y la cara del armazón apenas hagan contacto con el calibrador.
5. Verifique las ventanas para ver que la tensión sea igual cuando el calibrador se introduce y se saca, y haga los ajustes necesarios apretando o aflojando las tuercas de ajuste.

*NOTA: El espacio vacío existente entre el rotor y el armazón puede variar aún después de realizar el procedimiento de ajuste. Esto se debe a las variaciones dimensionales de los componentes y es una condición aceptable.*

6. Verifique el tiempo en que se detienen las aspas de la podadora. Las aspas y la banda de tracción de la podadora deben detenerse por completo en un lapso de cinco segundos después de apagar el interruptor PTO eléctrico. Si el ajuste no termina el problema de frenado de la podadora, reemplace el embrague eléctrico del PTO.



**Figura 22. Ajuste del Embrague del PTO**  
A. Ventana de Ajuste (Ctd. 3, se muestra una)  
B. Tuerca de Ajuste



**Figura 23. Ajustar Embrague del PTO**  
A. Ventana  
B. Tuerca de Ajuste  
C. Lámina Calibradora



# Elementos de Mantenimiento del Motor

## VERIFIQUE EL NIVEL DE ACEITE DEL MOTOR - EN MODELOS KOHLER

**Service Interval:** Before each use, and every 8 hours.

1. Apague el motor, y coloque los controles de velocidad de suelo en la posición de PARK (parado). Estacione la unidad en una superficie plana. Deje que el motor se enfríe.
2. Limpie el área alrededor de la varilla para medición del nivel (C, Figura 25).
3. Remueva la varilla para medición del nivel (C) y límpiela con una toalla de papel.
4. Inserte la varilla para medición del nivel en el motor, y empújela para colocarla en su posición.
5. Remueva la varilla para medición del nivel y lea el nivel de aceite. El nivel de aceite deberá estar entre las marcas "F" y "L" (D). De lo contrario, añada aceite de acuerdo con las recomendaciones de la tabla del aceite (Figura 24).

## CAMBIAR ACEITE DEL MOTOR Y FILTRO

**Intervalo de Servicio:** 200 horas.

**Capacidad del Aceite:** .95 de cuarto de galón (.90 litros) con cambio de filtro de aceite.

*Nota: Cambie el aceite del motor mientras el motor está tibio. Deje correr el motor por unos minutos, luego apague el motor y deje que enfríe de caliente a tibio.*

1. Limpie el área alrededor de la varilla de nivel de aceite (C, Figura 25) y el drenaje del aceite (A).
2. Quite el tapón del drenaje del aceite (A) y la varilla de nivel de aceite (C). Conceda un buen tiempo para que termine de drenar.
3. Quite el filtro del aceite (B). Tire el filtro a la basura.
4. Voltee el filtro nuevo y llénelo con aceite fresco. Permita que el aceite trasmine en el filtro nuevo por dos minutos.
5. Usando una gota de aceite en la punta del dedo, moje el empaque de goma en la parte inferior del filtro nuevo.
6. Tire el aceite del filtro e instale el filtro en la base del filtro. Gire el filtro a la derecha hasta que el empaque de goma tope con la base del filtro. Luego dé 2/3 a 1 vuelta completa más.
7. Reinstale el tapón de drenaje de aceite (A).
8. Llène el cárter con aceite. Vea arriba VERIFICAR NIVEL DE ACEITE DEL MOTOR.
9. Pruebe el motor para verificar que no haya fugas. Detenga el motor por 1 minuto, luego vuelva a verificar el nivel del aceite.

Use aceite de Servicio clasificado para API de Clase SG, SH, SJ o mejor con viscosidad SAE.

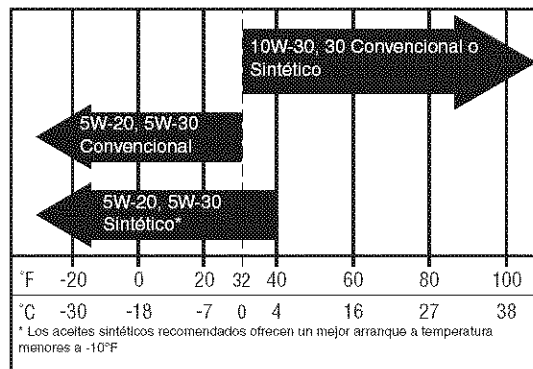


Figura 24. Aceite de Motor Recomendado

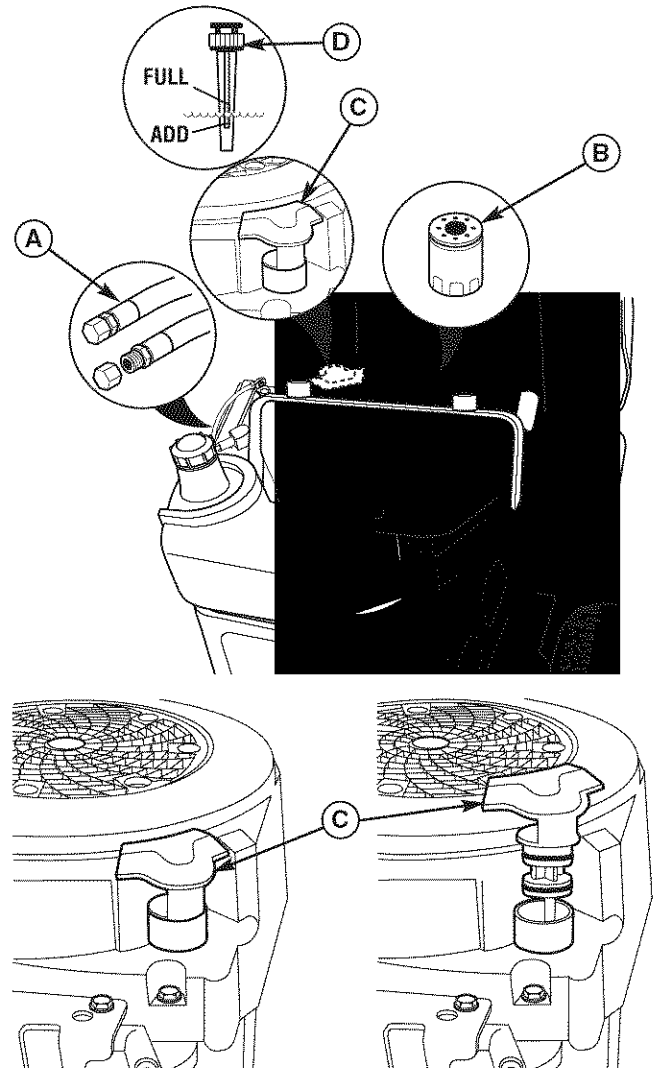
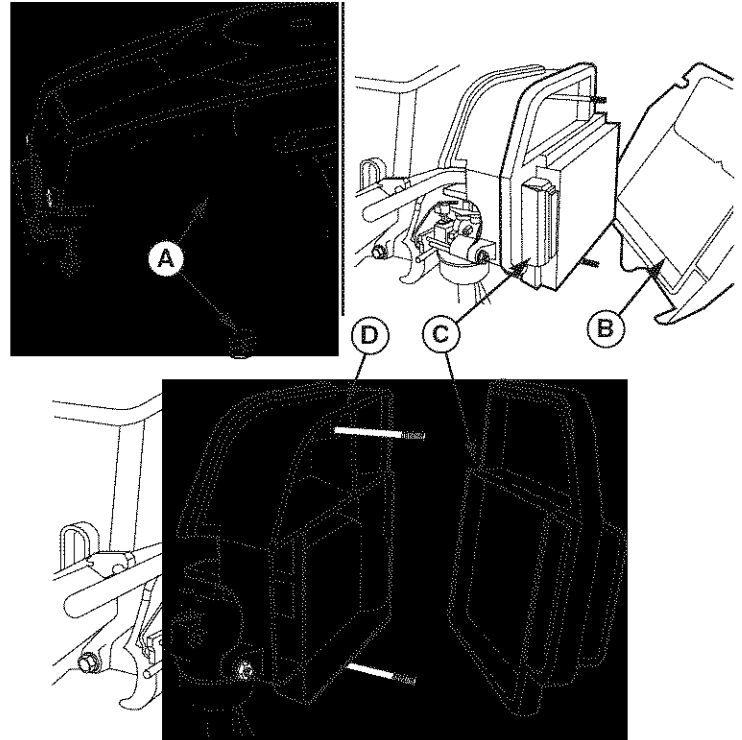


Figura 25. Cambio de Aceite  
A. Tubo de Drenaje de Aceite  
B. Filtro de Aceite  
C. Varilla de Nivel de Aceite  
D. Verificar Nivel del Aceite

## REEMPLACE EL FILTRO DE AIRE - MODELOS KOHLER

**Intervalo de servicio:** Cada 25 horas o cada dos meses, o conforme sea necesario.

1. Afloje los botones de la cubierta del filtro de aire (A, Figura 26) y remueva la cubierta (B). Limpie cualquier residuo alrededor del filtro de aire. Inspeccione la condición de las superficies de sellamiento del elemento del filtro de aire (C) y de la base del filtro (D). Reemplace cualquier parte dañada.
2. Remueva el elemento del filtro de aire (C).
3. Instale el elemento del filtro de aire nuevo con el lado plisado hacia afuera y asíntelo en los bordes de la base del purificador de aire (D).
4. Reinstale la cubierta del filtro de aire (B) y asegúrela con los dos botones (A).



**Figura 26. Ensamblaje del filtro de aceite -  
Modelos Kohler**

- A.** Botón de la cubierta del filtro de aire
- B.** Cubierta
- C.** Filtro de aire
- D.** Base

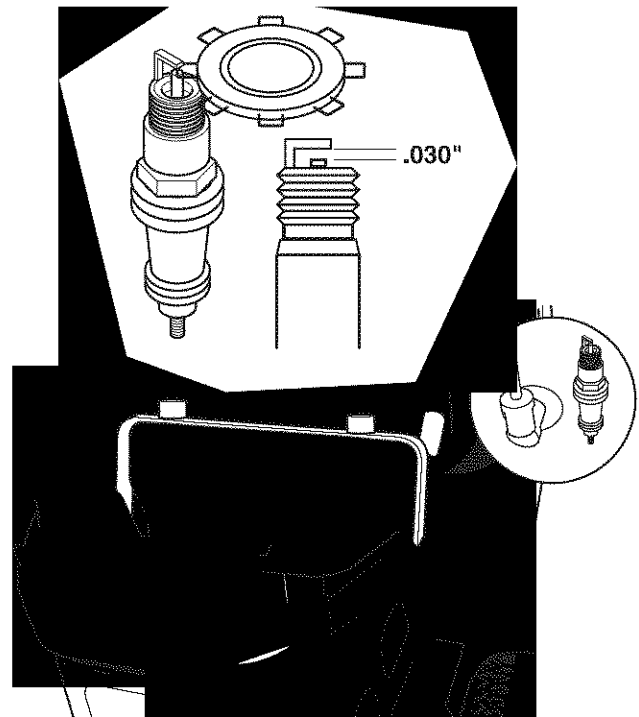
## REEMPLAZAR BUJÍA

**Intervalo de Servicio:** 200 horas.

**Bujía de Repuesto:** Champion RC12YC o equivalente

**Entrehierro de Bujía:** .030" (.76mm)

1. Detenga el motor y permita que se enfríe.
2. Limpie el área alrededor de la bujía (A, Figura 27).
3. Quite la bujía e inspecciónela. Si está dañada o desgastada, reemplácela.
4. Verifique el entrehierro de la bujía. El entrehierro (de una bujía nueva o usada) debe ser de .030".
5. Reinstale la bujía en la culata del cilindro. Apriete la bujía a un par de torsión de 28-32 ft. lbs. (38-43 N.m.).



**Figura 27. Entrehierro de la Bujía**

## VERIFIQUE EL NIVEL DE ACEITE DEL MOTOR - MODELOS BRIGGS & STRATTON

**Intervalo de servicio:** Antes de cada uso, y cada 8 horas.

1. Apague el motor, y coloque el freno de parada en la posición de PARK (parado).
2. Limpie el área alrededor de la varilla para medición del nivel (C, Figura 29).
3. Remueva la varilla para medición del nivel (C) y límpiela con una toalla de papel.
4. Inserte la varilla para medición del nivel en el motor. Atornille el tapón en el tubo (D)
5. Remueva la varilla para medición del nivel y lea el nivel de aceite. El nivel de aceite deberá estar entre las marcas "FULL" y "ADD" (D). De lo contrario, añada aceite de acuerdo con las recomendaciones de la tabla del aceite (Figura 28).

## VERIFIQUE EL NIVEL DE ACEITE DEL MOTOR - MODELOS BRIGGS & STRATTON

**Intervalo de servicio:** 50 Horas o una vez cada estación

**Capacidad de aceite:** 1-7/8 quarts (1.8L) sin cambio de aceite.

*NOTA: Cambie el aceite del motor mientras el motor esté tibio. Deje andando el motor por unos minutos, después apague el motor y deje que se enfríe de cliente a tibio.*

1. Limpie el área alrededor de la varilla para medición del nivel (C, Figura 29) y el tubo de drenaje del aceite (A).
2. Remueva el tapón de drenaje del aceite (A) del extremo del tubo de drenaje del aceite. Remueva la varilla para medición del nivel (C). Permita que se drene completamente.
3. Reinstale el tapón de drenaje del aceite (A).
4. Llene el cárter del motor con aceite. Refiérase a VERIFIQUE EL NIVEL DE ACEITE DEL MOTOR más arriba.

## VERIFIQUE EL NIVEL DE ACEITE DEL MOTOR Y EL FILTRO - MODELOS BRIGGS & STRATTON

**Intervalo de servicio:** 100 Horas o una vez cada estación

**Capacidad de aceite:** 2 cuarts (1.9L) sin cambio de aceite.

*NOTA: Cambie el aceite del motor mientras el motor esté tibio. Deje andando el motor por unos minutos, después apague el motor y deje que se enfríe de cliente a tibio.*

1. Limpie el área alrededor de la varilla para medición del nivel (C, Figura 29) y el tubo de drenaje del aceite (A).
2. Remueva el tapón de drenaje del aceite (A) y la varilla para medición del nivel (C). Permita que se drene completamente.
3. Remueva el filtro de aceite (B). Deseche el filtro.
4. Ponga una gota de aceite en la punta de sus dedos y aplíquela en la empaquetadura de hule de la parte inferior del filtro nuevo.

Use aceite de Servicio clasificado para API de Clase SG, SH, SJ o mejor con viscosidad SAE.

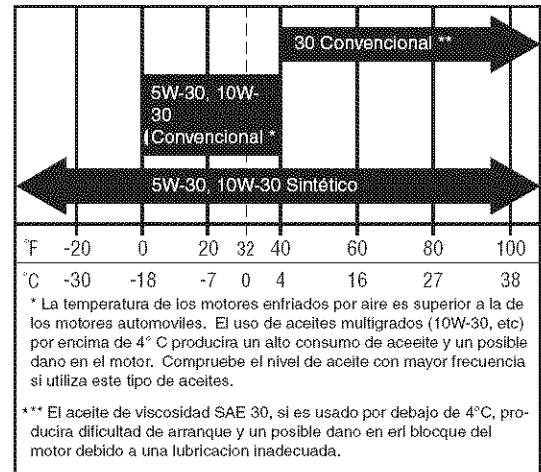


Figura 28. Aceite de Motor Recomendado

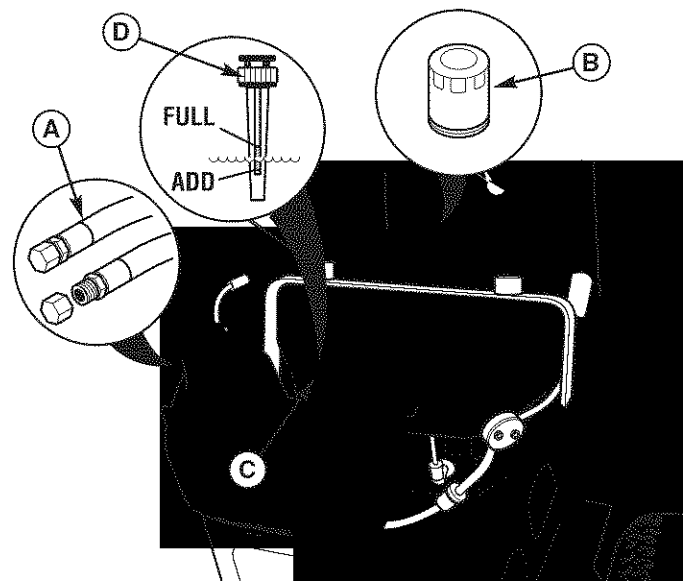


Figura 29. Cambio de Aceite  
**A. Tubo de Drenaje de Aceite**  
**B. Filtro de Aceite**  
**C. Varilla de Nivel de Aceite**

6. Gire el filtro hacia la derecha hasta que la empaquetadura de hule se junte con la base del filtro. Después gire de 1/2 a 3/4 de vuelta más.
7. Reinstale el tapón de drenaje del aceite (A).
8. Llene el cárter del motor con aceite. Refiérase a VERIFIQUE EL NIVEL DE ACEITE DEL MOTOR más arriba.
9. Arranque el motor para probarlo y verificar que no existan fugas. Pare el motor por un minuto, después vuelva a verificar el nivel de aceite.

## SERVICIO DEL FILTRO DE AIRE Y DEL PREPURIFICADOR - MODELOS BRIGGS & STRATTON

**Intervalo de servicio:** Prepurificador: cada 25 horas o conforme sea necesario. Filtro de aire: cada 50 horas o conforme sea necesario.

**Intervalo de reemplazo:** Prepurificador: conforme sea necesario. Filtro de aire: cada 200 horas o una vez por estación.

### Remoción e instalación del filtro de aire

1. Levante la parte inferior del sujetador (A, Figura 30) y retire el sujetador de la cubierta.
2. Remueva la cubierta (B). Remueva el filtro (C) y el prepurificador (D).
3. Instale el prepurificador (D) con la malla hacia arriba. Instale el filtro (C) como se muestra.
4. Instale la cubierta (B) asegurándose que las lengüetas queden insertadas en las ranuras. Asegúrela con el sujetador (A).

### Servicio del prepurificador

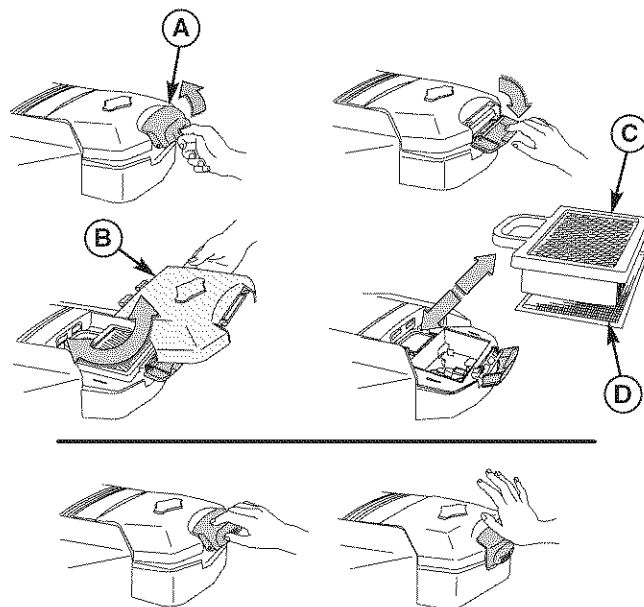
*NOTA: Reemplace el prepurificador si se encuentra dañado o desgastado.*

1. Figura 31. Lave el prepurificador con detergente líquido y agua.
2. Exprima el prepurificador para que quede seco y satúrelo con aceite de motor. Remueva todo el aceite en exceso exprimiendo el prepurificador en una toalla absorbente.

### Servicio del filtro de aire

*NOTA: Reemplace el filtro de aire si se encuentra dañado o desgastado.*

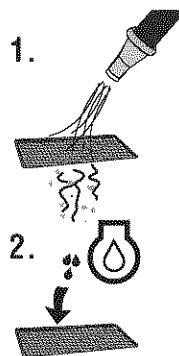
1. Figura 31. Si presenta un sello que indique "Washable," entonces el filtro podrá ser lavado con agua tibia y un jabón suave.
2. Enjuague con agua de la llave con la pantalla hacia arriba para permitir que el residuo y tierra se salgan.
3. Permita que el filtro se seque toda la noche antes de volverlo a instalar.



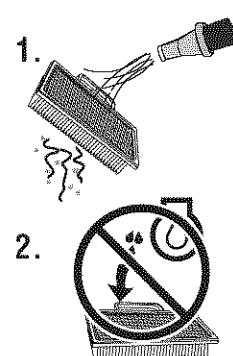
**Figura 30. Ensamblaje del filtro de aire - Modelos Briggs & Stratton**

- A. Sujetador del filtro de aire
- B. Cubierta del filtro de aire
- C. Filtro de aire
- D. Prepurificador

#### Prepurificador



#### Filtro de aire



**Figura 31. Servicio del filtro de aire**

## REEMPLACE LA BUJÍA DE ENCENDIDO - MODELOS BRIGGS & STRATTON

Intervalo de servicio: Anualmente

Bujía de encendido de reposición: 71/500/691043

Separación de la bujía de encendido: .030" (.76mm)

1. Pare el motor y espere a que se enfríe.
2. Limpie el área alrededor de la bujía de encendido.
3. Remueva la bujía de encendido.
4. Verifique la separación de la bujía de encendido.  
Deberá ser de .030" (refiérase a la Figura 32).
5. Reinstale la bujía dentro de la cabeza del cilindro.  
Torque la bujía a 180 in. lbs (20 N.m.).

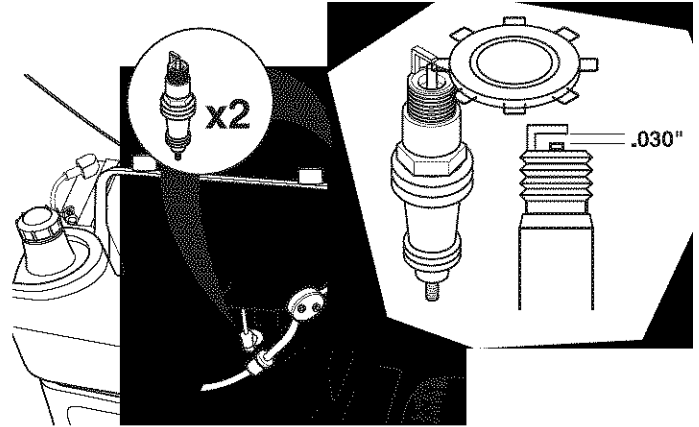


Figura 32. Entrehierro de la Bujía

## SERVICIO Y AJUSTES

### AJUSTE DE PALANCA DE CONTROL DE VELOCIDAD

Las palancas de control tienen tres ajustes:

#### Para Ajustar la Altura de las Palancas de Control:

Jale las palancas hacia adentro, encima del regazo del operador a la posición de DRIVE. Afloje los pernos de montaje (D, Figura 34) y suba o baje las palancas a la posición deseada. Apriete los pernos de montaje (D).

#### Para Ajustar la Brecha Final de las Palancas de Control:

La brecha final de las palancas de control deben ajustarse de modo que las palancas no se toquen entre sí cuando se pongan en posición de DRIVE. Afloje la contratuerca (A, Figura 34) y ajuste la longitud del tornillo de cabeza redonda (B) de modo que las palancas no se toquen entre sí. Repita lo mismo en el lado opuesto. Apriete la contratuerca (A) para fijar el tornillo de cabeza redonda en su posición.

#### Para Ajustar el Espacio Libre para el Operador:

El espacio entre el operador y las palancas de control puede incrementarse quitando el perno de montaje más bajo (D, Figura 34), girando la palanca hacia adelante y reinstalando el tornillo de cabeza hexagonal a través de las palancas de control y la ranura delantera (C). Repita lo mismo con la palanca de velocidad.

### AJUSTE DE BALANCEO DE VELOCIDAD

Si el tractor vira a la derecha o a la izquierda cuando las palancas del control de velocidad están en la posición de velocidad máxima hacia adelante, la velocidad máxima de cada una de las palancas puede balancearse girando las perillas de ajuste (E, Figura 34). Gire la perilla A LA IZQUIERDA para aumentar la velocidad o A LA DERECHA para disminuir la velocidad.

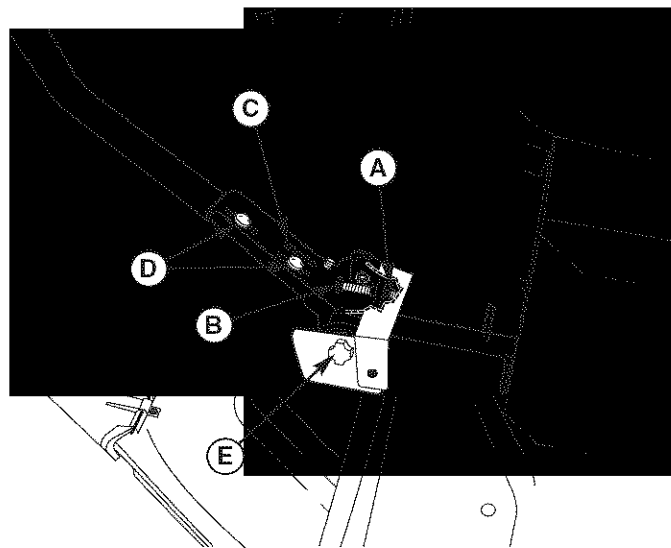


Figura 34. Ajuste de las Palancas de Control

- A. Contratuerca
- B. Tornillo de Cabeza Redonda
- C. Ranura Delantera
- D. Pernos de Montaje
- E. Perilla

## AJUSTE DE LA ALTURA DE CORTE

Gire la manivela del ajuste de la altura de corte (A, Figura 35) a la derecha para subir la cubierta de la podadora y a la izquierda para bajarla. Si se le dificulta girar la manivela, límpiela bien y lubríquela.

## AJUSTE DEL EMBRAGUE DEL PTO

Vea VERIFICAR / AJUSTAR EMBRAGUE DEL PTO en la Sección de Mantenimiento.

## AJUSTE DEL FRENO

1. Pare la unidad, Gire la ignición en la posición OFF (apagado), coloque las palancas de velocidad en suelo en la posición PARK (parado), y espere a que todas las piezas que se encuentren en movimiento dejen de moverse.
2. Localice la varilla de freno (A) y la tuerca de ajuste (B).
3. Mida el resorte del freno de parada. La longitud de compresión, con las palancas de velocidad en suelo en la posición PARK (parado) deberá ser de 3" (7.62cm). Ajuste la longitud del resorte girando la tuerca de ajuste (B), de ser necesario.

### **⚠ ADVERTENCIA**

Mantenga llamas y chispas lejos de la batería; los gases provenientes de ésta son altamente explosivos. Ventile la batería durante la recarga.

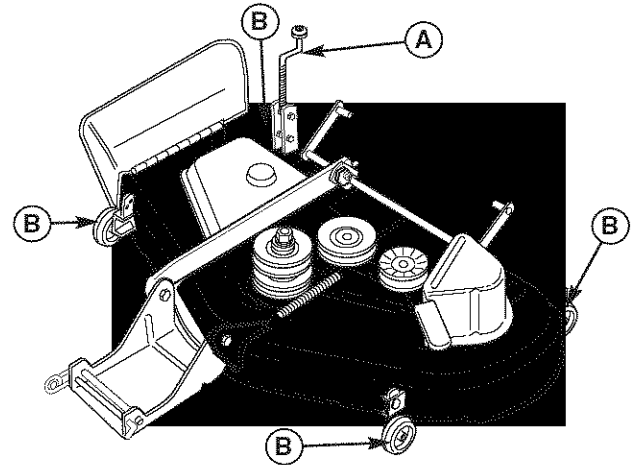
## RECARGA DE LA BATERÍA

Una batería descargada o una demasiado baja para arrancar el motor puede ser el resultado de un defecto en el sistema de recarga o algún otro componente eléctrico. Si tiene alguna duda sobre la causa del problema, póngase en contacto con un Centro de Partes y Reparaciones de Sears. Si necesita reemplazar la batería, siga los pasos bajo Limpieza de Batería y Cables en la Sección de Mantenimiento Regular.

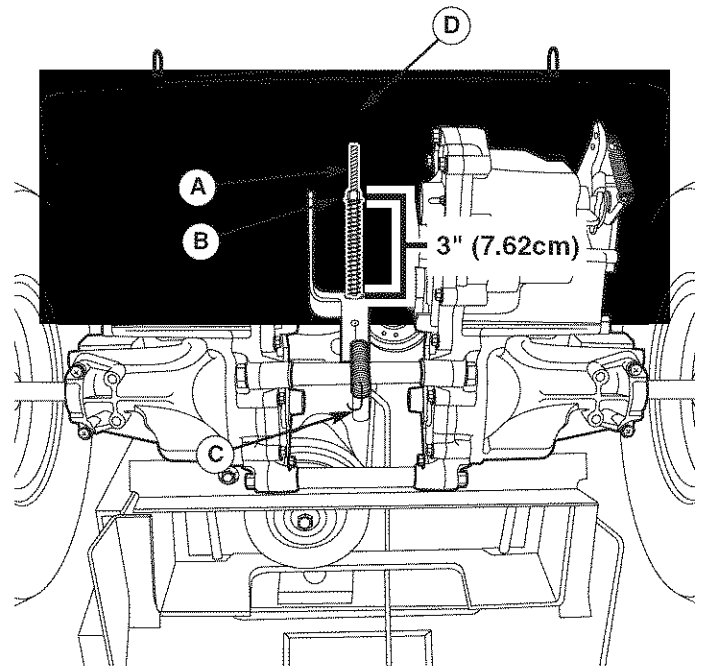
Para recargar la batería, siga las instrucciones suministradas por el fabricante del recargador de baterías así como todas las advertencias incluidas en la sección de reglas de seguridad de este libro. Recargue la batería hasta que esté completamente cargada (hasta que la gravedad específica del electrolito sea 1.250 o mayor y la temperatura del electrolito sea por lo menos de 60° F). No recargue a un índice mayor de 10 amperes.

## AJUSTES DEL MOTOR

El motor está diseñado para brindar un rendimiento correcto bajo todas las condiciones de operación. Cualquier tipo de ajustes deberán ser efectuados por Sears u otro taller de servicio calificado.



**Figura 35. AJUSTE DE LA ALTURA DE CORTE**  
A. Manivela de Ajuste de la Altura de Corte  
B. Ruedas Reguladoras



**Figura 36. Ajuste del freno**  
A. Varilla del freno  
B. Tuerca de ajuste  
C. Resorte de retorno  
D. Orificio de resorte de retorno

## AJUSTE DE NIVEL DE LA CUBIERTA DE LA PODADORA

### ADVERTENCIA

Antes de verificar la podadora, apague el PTO y el motor. Permita que se detengan todas las partes en movimiento. Quite la llave del encendido, luego desconecte el cable de la bujía y sujételo lejos de la bujía.

Si el corte es desigual, es posible que necesite nivelar la podadora. La causa del corte desigual puede ser que la presión de las llantas sea desigual o inadecuada. Vea VERIFICAR LA PRESIÓN DE LAS LLANTAS.

### Nivelado de un Lado a Otro

1. Con la podadora instalada, coloque el tractor en una superficie lisa y nivelada como un piso de concreto. Gire las ruedas delanteras para que apunten hacia adelante. Apague el motor, ponga el freno de mano en PARK y espere a que se detengan todas las partes en movimiento.
2. Verifique que las aspas no estén dobladas y reemplácelas si es necesario.
3. Verifique la presión de las llantas. Vea VERIFICAR LA PRESIÓN DE LAS LLANTAS.
4. Ajuste la altura de corte a posición media. Coloque las aspas de la podadora de modo que apunten de un lado a otro (Figura 38).
5. Mida la distancia entre las puntas de las aspas externas y el suelo (Figuras 37 y 38). Si hay una diferencia mayor a 1/8" (3mm) entre las medidas en cada lado, proceda con el paso 6. Si la diferencia es de 1/8" (3mm) o menos, proceda con el Nivelado de Adelante hacia Atrás.
6. Vea la Figura 39. Afloje la tuerca exterior (A) y tornillo "taptite" (C), luego gire la tuerca excéntrica (B) para subir o bajar el lado izquierdo de la cubierta. Cuando la cubierta de la podadora esté nivelada, sostenga la tuerca excéntrica mientras apriete la tuerca exterior. Apriete el tornillo "taptite" (C).

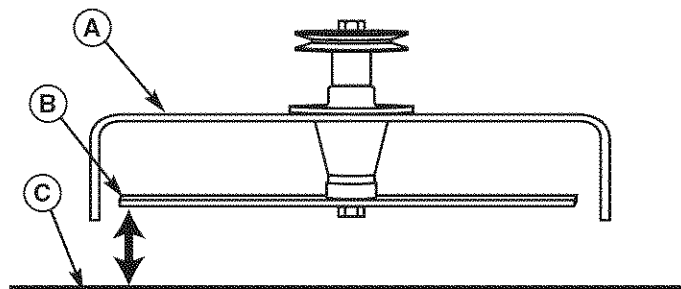


Figura 37. Medir las Puntas del Aspa con el Suelo  
A. Cubierta de la Podadora  
B. Punta del Aspa  
C. Suelo Nivelado

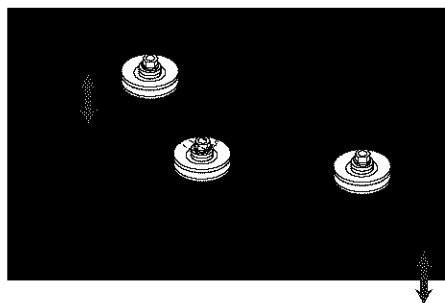


Figura 38. Orientar las Aspas de un Lado a Otro

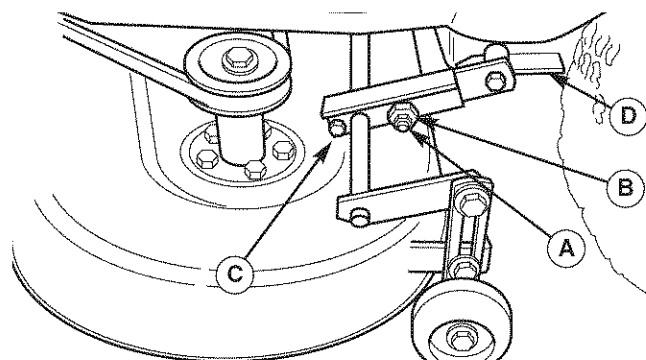
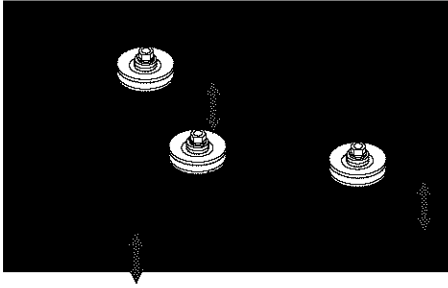


Figura 39. Ajuste de un Lado a Otro  
A. Tuerca Exterior  
B. Tuerca Excéntrica  
C. Tornillo "Taptite"  
D. Rampa

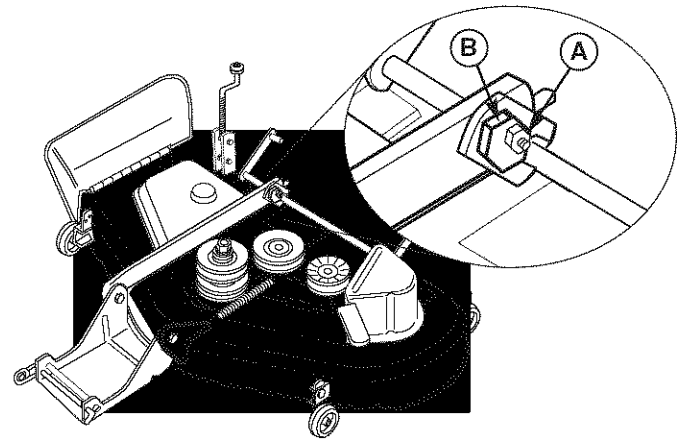
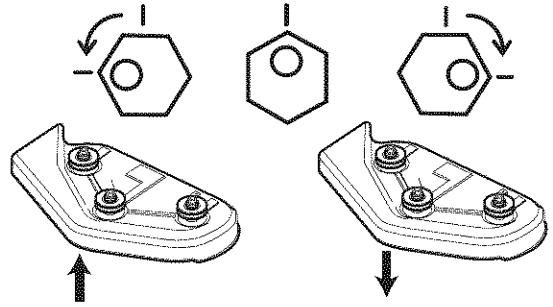




**Figura 40. Orientar las Aspas de Adelante hacia Atrás**

### Nivelado de Adelante hacia Atrás

1. Gire las aspas de adelante hacia atrás como se muestra en la Figura 40. Mida la distancia del suelo a la punta delantera del asa central, y del suelo a la punta trasera de las aspas izquierda y derecha (Figura 40). Las puntas delanteras deben estar 1/8"-1/4" (3-6mm) más altas que las puntas traseras. Si no, proceda con el paso 2.
2. Para subir/bajar el frente de la cubierta de la podadora, afloje la tuerca delantera (A, Figura 41 diagrama pequeño) y gire la tuerca trasera (B) contra el collar de fijación (C) para acortar la varilla (D).
3. Verifique nuevamente la medida antes de apretar la tuerca delantera (A) contra el collar de fijación.

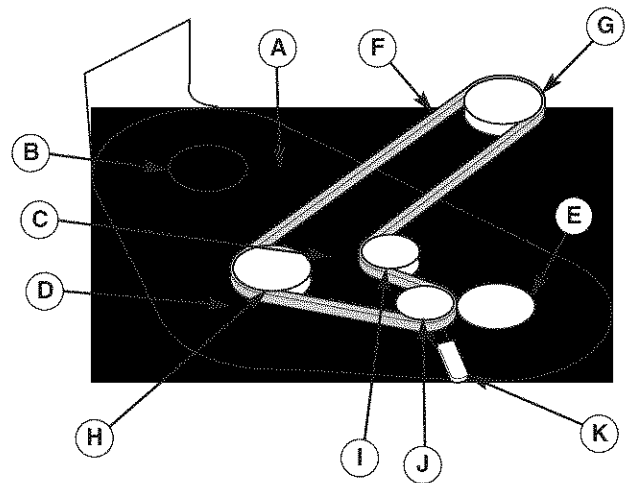


**Figura 41. Nivelado de Adelante hacia Atrás**  
**A. Tuerca Delantera**  
**B. Tuerca Trasera**

## REEMPLAZO DE BANDA DE PODADORA

### Reemplazo de Banda de Tracción de Podadora

1. Estacione el tractor en una superficie nivelada. Desacople el PTO, apague el motor y ponga el freno de mano. Quite la llave.
2. Use el brazo de la polea tensora (K, Figura 42) para liberar la tensión en la banda y quitar la banda de tracción de la podadora (F) de la polea de PTO (G).
3. Quite la banda de las poleas restantes de la cubierta. Nota: No es necesario quitar la cubierta de la podadora.
4. Instale la banda nueva (F) como se muestra en la Figura 42.



### Reemplazo de Banda de Tracción del Árbol de Sujeción

Póngase en contacto con un Centro de Partes y Reparaciones de Sears respecto a un reemplazo de la banda de tracción del árbol de sujeción (A, Figura 42).

**Figura 42. Disposición de Banda de PTO**  
**A. Banda de Tracción del Árbol de Sujeción**  
**B. Polea Derecha del Árbol de Sujeción**  
**C. Polea Tensora del Árbol de Sujeción**  
**D. Polea Central del Árbol de Sujeción**  
**E. Polea Izquierda del Árbol de Sujeción**  
**F. Banda de Tracción de la Podadora**  
**G. Polea del PTO del Motor**  
**H. Polea Motriz de la Podadora**  
**I. Polea Tensora de la Podadora**  
**J. Polea Tensora de Lado Trasero**  
**K. Brazo de Polea Tensora**

# ALMACENAMIENTO

## ALMACENAMIENTO

Antes de almacenar su unidad en la temporada baja, lea las instrucciones de Mantenimiento y Almacenamiento en la sección de Reglas de Seguridad, luego realice los siguientes pasos:

- Desacople el PTO, ponga el freno de mano y quite la llave.
- Verifique el nivel de todos los fluidos. Verifique todos los elementos de mantenimiento.
- La vida de la batería se incrementará si la quita, y la coloca en un lugar seco y fresco y la carga por completo una vez al mes. Si deja la batería en la unidad, desconecte el cable negativo.

Es importante evitar que se formen depósitos de goma en las partes esenciales de la instalación de combustible como el carburador, filtro de la gasolina, tubería del combustible y el tanque de gasolina durante el almacenamiento. Además, los combustibles mezclados con alcohol (llamados gasohol o usando etanol o metanol) puede atraer humedad que lleva a la separación y formación de ácidos durante el almacenamiento. El gas acídico puede dañar la instalación de combustible de un motor mientras está en almacenamiento.

Para evitar problemas con el motor, la instalación de combustible debe vaciarse antes del almacenamiento de 30 días o más. Siga estas instrucciones;

Para proteger el motor, se recomienda el uso del estabilizador de combustible.

Antes de arrancar la unidad después de estar almacenada:

- Verifique el nivel de todos los fluidos. Verifique todos los elementos de mantenimiento.
- Llene con combustible FRESCO.
- Después de arrancar, permita que el motor se caliente antes de operar.

## ⚠ ADVERTENCIA

Nunca almacene la unidad (con combustible) en una estructura cerrada con poca ventilación. Los vapores del combustible pueden viajar a una fuente de ignición (como un horno, calentador de agua, etc.) y ocasionar una explosión.

Los vapores del combustible también son tóxicos para los humanos y animales.

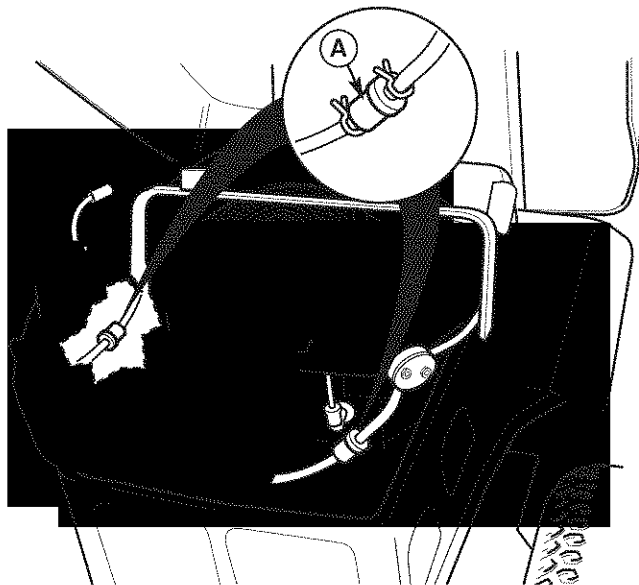


Figura 43. Compartimiento del Motor  
A. Filtro de la Gasolina

## ⚠ ADVERTENCIA

La gasolina es altamente inflamable y debe manejarse con cuidado. Nunca llene el tanque cuando el motor todavía está caliente por la reciente operación. No permita que nadie se acerque con llamas abiertas, cigarrillos o cerillos al área. Evite llenar demasiado y quite lo derramado con un trapo.

# DIAGNÓSTICO

## ADVERTENCIA

Para evitar lesiones graves, realice el mantenimiento del tractor o la podadora sólo con el motor apagado y el freno de mano en PARK. Siempre quite la llave del encendido, desconecte el cable de la bujía y sujételo lejos de la bujía antes de empezar con el mantenimiento, para evitar que el motor arranque accidentalmente.

Si lo prefiere, todos estos procedimientos pueden ser ejecutados para usted por un Centro de Partes y Reparaciones de Sears. Vea la contraportada respecto a información sobre el Centro de Partes y Reparaciones de Sears.

### Diagnóstico del Tractor

PROBLEMA	CAUSA	REMEDIÓ
<b>El motor no rota ni arranca.</b>	Controles de velocidad en suelo sin colocar en la posición PARK (parado).	Colocado en PARK (parado).
	El interruptor PTO está en posición de ON.	Colóquelo en posición de OFF.
	Palancas de velocidad no están en posición de PARK..	Muévalas a la posición de PARK.
	El acelerador no está en posición de CHOKE.	Mueva el acelerador a posición de CHOKE.
	Llave no está por completo a la posición de START.	Gire la llave a la posición de START.
	Sin combustible.	Si el motor está caliente, permita que enfríe, luego llene el tanque de gasolina.
	Motor ahogado.	Mueva el control del acelerador de regreso a la posición de FULL para abrir el ahogador.
	La gasolina está vieja o viciada. Agua en el combustible.	Drene el combustible y ponga combustible fresco. Contacte Partes y Reparaciones de Sears.
	Terminales de batería requieren una limpieza.	Limpie las terminales de la batería
	Batería descargada o baja.	Recargue o reemplace.
	Bujía(s) defectuosas, sucias o con entrehierro incorrecto.	Limpie y ajuste a entrehierro o reemplace.
	Cableado suelto o roto.	Verifique visualmente el cableado y reemplace cables rotos o raídos. Apriete las conexiones sueltas.
	Solenoides o motor de arranque defectuosos.	Reemplace. Contacte Partes y Reparaciones de Sears.
Interruptor del intercierre de seguridad defectuoso.	Reemplace. Contacte Partes y Reparaciones de Sears.	
<b>El motor arranca difícil o no funciona bien.</b>	Filtro de aire obstruido	Dé servicio al pre-limpiador y/o reemplace el elemento del filtro de aire.
	Ahogador sin colocar en la posición CLOSED (cerrado) durante el arranque del motor, o el ahogador sin colocar en la posición OPEN (abierto) después de que el motor haya arrancado.	Coloque el ahogador en la posición CLOSED (cerrado) durante el arranque del motor. Coloque el ahogador en la posición OPEN (abierto) cuando el motor esté andando. Si el motor está caliente no requerirá ser ahogado.
	Bujía defectuosa, sucia o con entrehierro incorrecto.	Limpie y ajuste a entrehierro o reemplace.
<b>Motor golpetea.</b>	Nivel del aceite bajo.	Verifique/agregue aceite según se requiera.
	Uso de aceite de grado incorrecto.	Vea "Cambiar el Aceite del Motor" en la Sección de Mantenimiento.
<b>Excesivo consumo de aceite.</b>	Motor se calienta demasiado mientras opera.	Limpie el abanico de enfriamiento del motor, la rejilla sopladora y el limpiador de aire.
	Uso de aceite de peso incorrecto.	Vea "Cambiar el Aceite del Motor" en la Sección de Mantenimiento.
	Demasiado aceite en el cárter.	Drene el aceite excedente.
<b>El humo del escape del motor es negro.</b>	Filtro de aire sucio.	Reemplace el filtro de aire. Vea "Reemplazar el Elemento del Filtro de Aire".
	Control del ahogador en posición de cerrado.	Abra el control del ahogador.

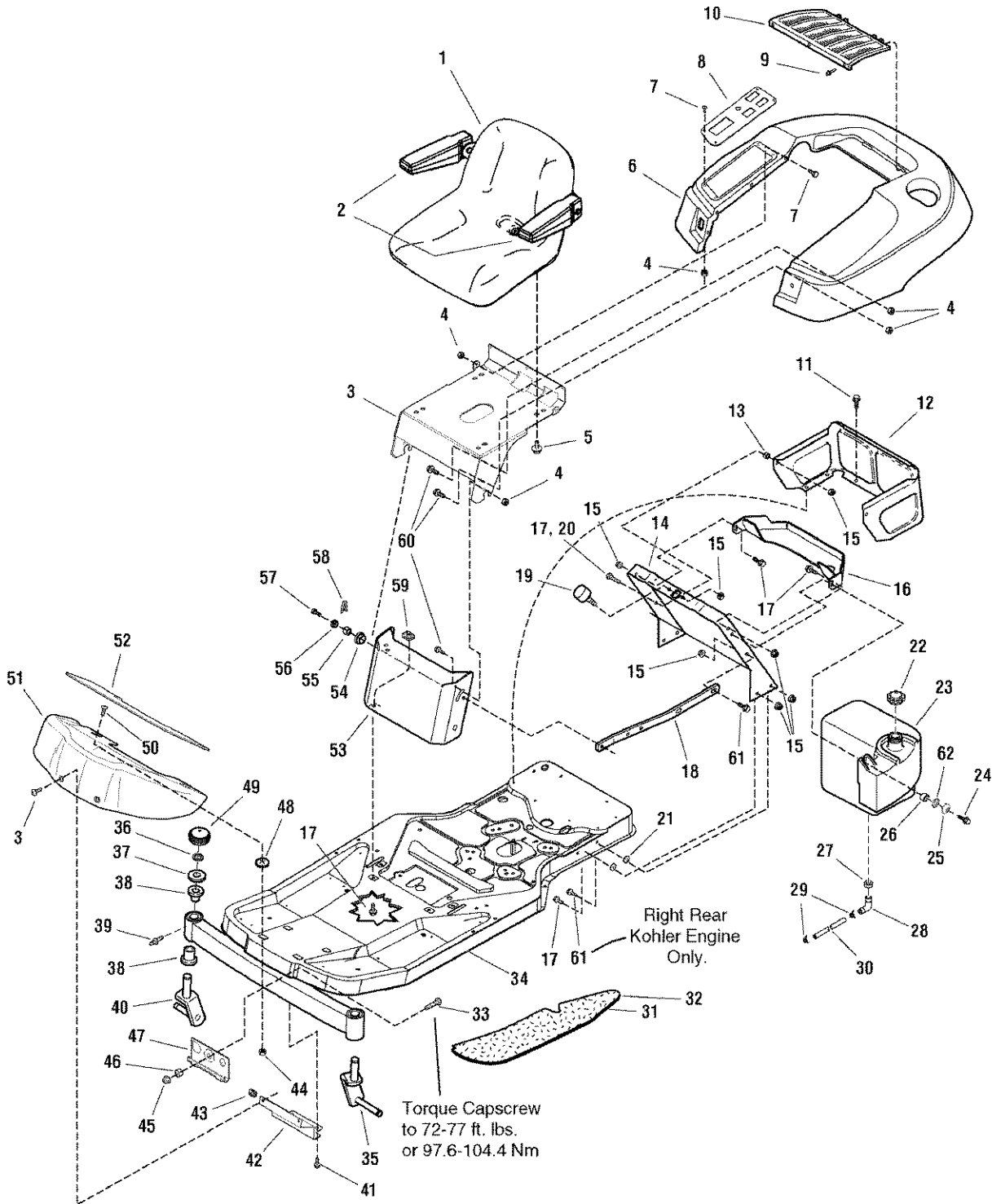
<b>El motor opera pero el tractor no avanza.</b>	Las palancas de desembrague de la transmisión en posición de EMPUJAR.	Mueva las palancas a la posición de DRIVE.
	La banda de tracción se barre.	Limpie o reemplace la banda según sea necesario.
	La banda está rota.	Reemplace banda. Contacte Partes y Reparaciones de Sears.
	Freno de mano no está desaccionado	Contacte Partes y Reparaciones de Sears.
<b>Banda de tracción se barre.</b>	Poleas o la banda con grasa o aceite.	Limpie según se requiera.
	La banda está estirada o desgastada.	Reemplace banda. Contacte Partes y Reparaciones de Sears.
<b>El freno de mano no se mantiene.</b>	El freno de mano está mal ajustado.	Vea la Sección de Ajustes.
<b>Tractor se direcciona o maneja con deficiencia.</b>	Inflado inadecuado de las llantas.	Vea la Sección de Mantenimiento.
	Acoplamiento de dirección está flojo.	Verifique y apriete las conexiones sueltas.
<b>Tractor estira para un lado.</b>	Las perillas de ajuste de velocidad no están ajustadas.	Vea AJUSTE DE BALANCEO DE VELOCIDAD

### Diagnóstico de la Podadora

PROBLEMA	CAUSA	REMEDIO
<b>Es difícil ajustar la altura de corte de la podadora.</b>	La rosca de la manivela para la altura de corte está sucia o necesita lubricarse.	Limpie a conciencia y lubrique la manivela de altura de corte con aceite.
<b>Corte de la podadora es desigual.</b>	Llantas del tractor indebidamente infladas.	Vea la Sección de Mantenimiento.
	Podadora indebidamente nivelada.	Vea "Nivelado de la Podadora" en Servicio y Ajustes.
<b>El corte de la podadora es de aspecto tosco.</b>	La velocidad del motor es demasiado lenta.	Ponga el acelerador en FULL cuando podes el césped.
	Velocidad demasiado alta.	Disminuya la velocidad.
	Las aspas están desafiladas.	Afile o reemplace las aspas. Vea la Sección de Mantenimiento.
	Banda de tracción de podadora se barre por que tiene aceite o está desgastada.	Limpie o reemplace la banda según sea necesario.
	Las aspas no están debidamente afianzadas al árbol de sujeción.	Vea "Verificar/Ajustar Aspas de Podadora" en la Sección de Mantenimiento.
<b>El motor se atasca con facilidad con la podadora embragada.</b>	Velocidad del motor demasiado lenta.	Ponga el acelerador en FULL.
	Velocidad demasiado alta.	Disminuya la velocidad.
	La altura de corte está demasiado baja.	Corte el césped alto con la altura máxima de corte en la primera pasada.
	Lado inferior de cubierta de podadora sucio.	Quite cubierta de la podadora y limpie lado inferior.
	La tolva de descarga se atasca con las hierbas cortadas.	Corte el césped con la descarga apuntando hacia el área anteriormente cortada.
<b>Vibración excesiva de la podadora.</b>	Pernos de montaje de aspas están flojos.	Apriete a 45-55 ft. lbs. (61-75 N.m.).
	Aspas, árboles de sujeción o poleas doblados.	Verifique y reemplace según sea necesario.
	Las aspas de la podadora están fuera de equilibrio.	Reemplace o equilibre las aspas. Vea la Sección de Mantenimiento.
	Banda instalada incorrectamente.	Reinstale correctamente.
<b>La banda de tracción de la podadora se barre o no impulsa.</b>	El resorte de la polea tensora está roto o no está debidamente fijado.	Repáre o reemplace según sea necesario.
	Banda de tracción de podadora está rota.	Reemplace la banda de tracción.
	Embrague del PTO fuera de ajuste.	Ajuste el embrague del PTO. Vea la Sección de Mantenimiento.

# **Repair Parts**

NOTE: Unless noted otherwise,  
use the standard hardware torque  
specification chart.



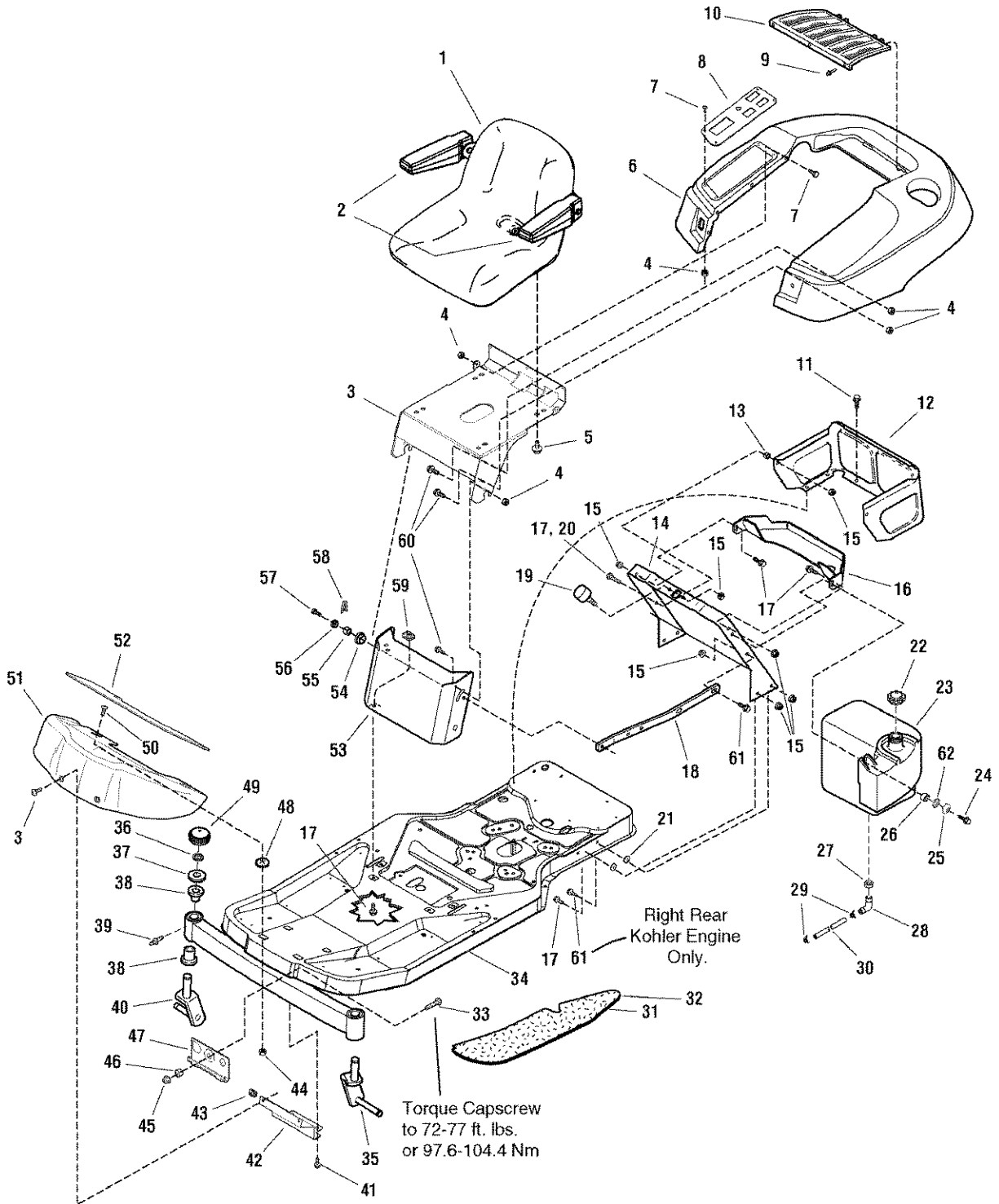
**Frame, Body & Seat Group**

ZT 7000 - 107.27772 &amp; 107.27774

REF NO	PART NO.	QTY.	DESCRIPTION
1	1726018SM	1	SEAT ASSEMBLY, wth Arm Rests (Includes Ref. No. 68)
2	1687021SM	1	ARM REST KIT, (L.H. & R.H.)
3	1727332ASM	1	SUPPORT, Seat
4	1960694SM	12	NUT, Hex Flange ESNA, 1/4-20
5	1931648SM	4	CAPSCREW, Hex Head Whiz Lock Dog Point, 5/16-18 x 3/4
6	1734144SM	1	DECK, Seat
7	1960715SM	8	SCREW, Truss Head Torx Drive, 1/4-20 x 3/4
8	1727699ASM	1	PLATE, Pod Control
9	1673320SM	3	RIVET, Pop
10	1708504SM	1	SCREEN, Seat Deck
11	1960715SM	6	CAPSCREW, Hex Washer Head Taptite, 1/4-20 x 1/2
12	1715962ASM	1	SHROUD, Rear
13	1673796SM	1	SPACER, Powdered Metal (22HP Models Only)
14	1732974ASM	1	SUPPORT, Seat Deck (20HP Models)
14	1727308ASM	1	SUPPORT, Seat Deck (22HP Models)
15	1931277SM	10	NUT, Hex Flange Whiz Lock, 5/16-18
16	1727945ASM	1	DUCT, Air Inlet (20HP Models)
16	1727682ASM	1	DUCT, Air Inlet (22HP Models)
17	1930591SM	12	CAPSCREW, Hex Head Whix Lock, 5/16-18 x 3/4, G5
18	1727810ASM	1	BRACE, Tank
19	1726390SM	2	BUMPER, Rubber
20	1933689SM	1	CAPSCREW, Hex Head Whiz Lock, 5/16-18 x 1-1/2, G5
21	1933988SM	4	NUT, Push
22	1714020SM	1	CAP, Fuel Tank
23	1726397SM	1	TANK, Fuel
24	1930600SM	1	CAPSCREW, Hex Washer Head Taptite, 5/16-18 x 1-1/2
25	1919381SM	3	WASHER, 5/16
26	1710437SM	1	SPACER
27	1726400SM	1	BUSHING, Fuel Tank
28	1674792SM	1	ELBOW, with Screen, Gas Tank to Fuel Line
29	2860112SM	2	CLAMP, Hose, Wire Type E
30	1726594SM	1	HOSE, Fuel 11-1/2" Long
31	1728986SM	1	PAD, Footrest, R.H.
32	1728987SM	1	PAD, Footrest, L.H.
33	1920328SM	1	CAPSCREW, Hex Head, 1/2-13 x 1-1/2, G5
34	1687299SM	1	FRAME & SPINDLES ASSEMBLY (Includes Ref. Nos. 35, 36, 37, 38, 39 & 40)
35	1715999SM	1	ARM, Caster, L.H.
36	2834712SM	2	RING, E-Retaining
37	1919394SM	4	WASHER
38	1721682SM	4	BUSHING
39	1704314SM	2	FITTING, Lube
40	1715997SM	1	ARM, Caster, R.H.

**Footnotes**

NOTE: Unless noted otherwise,  
use the standard hardware torque  
specification chart.





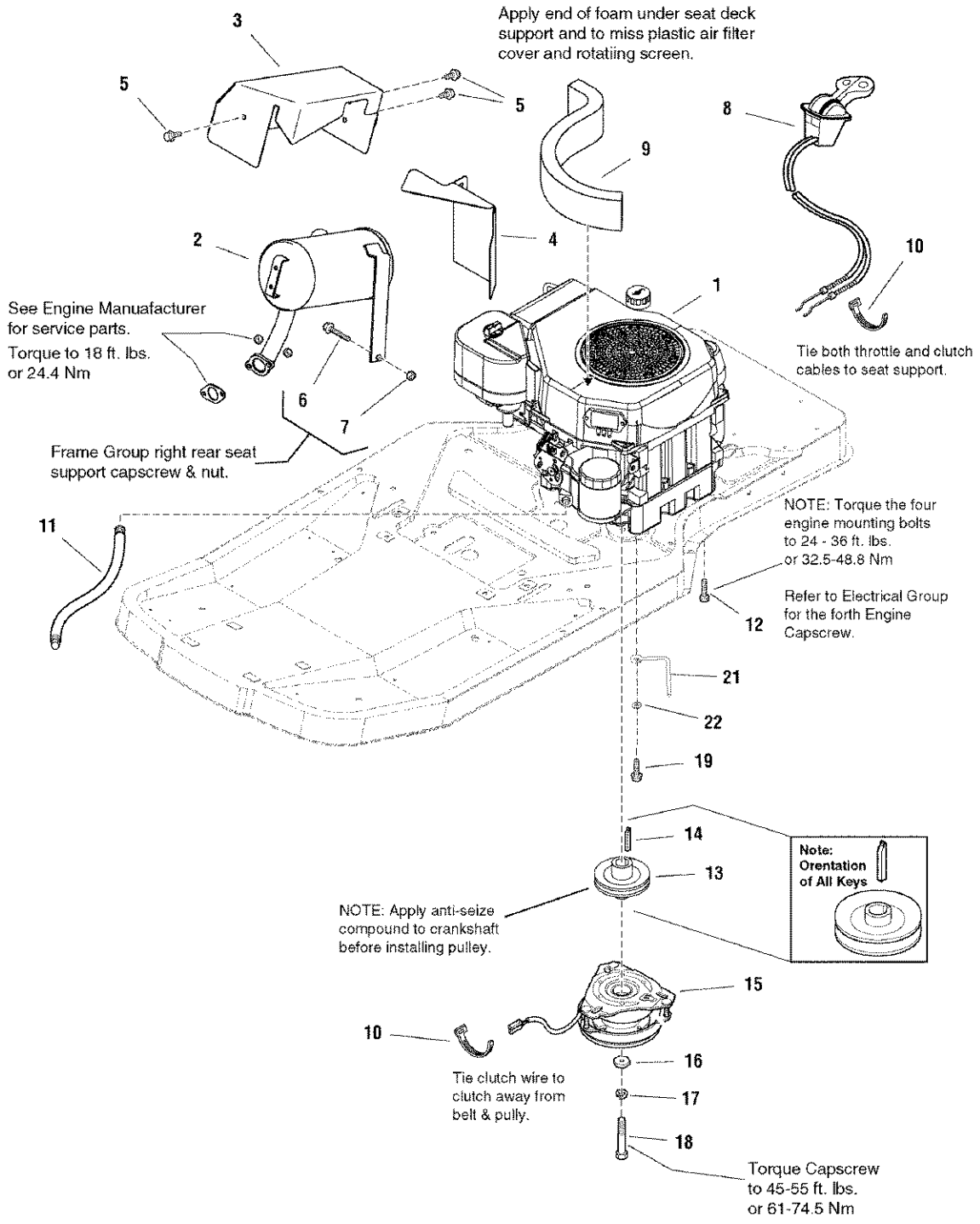
**Frame, Body & Seat Group**

ZT 7000 - 107.27772 &amp; 107.27774

REF NO	PART NO.	QTY.	DESCRIPTION
41	1664847SM	3	SCREW, Hex Washer Head Taptite, 5/16-18 x 3/4
42	1726024ASM	1	BRACKET, Footrest Support
43	1960368SM	2	NUT, Speed Lug Type, 1/4-20
44	1930641SM	2	NUT, Hex Flange Whiz Lock, 1/4-20
45	1930644SM	1	NUT, Hex Flange Two-Way Lock, 1/2-13
46	1709235SM	1	SPACER
47	1716064ASM	1	HOOK & WASHER ASSEMBLY
48	1960518SM	2	NUT, Push, 1/4
49	1726504SM	2	CAP, Hub
50	1931317SM	2	CARRIAGE BOLT, 1/4-20 x 3/4
51	1726025ZSM	1	PANEL, Footrest
52	1726306SM	1	PAD, Footrest, Front
53	1727685ASM	1	PANEL, Front
54	1704626SM	2	SPACER
55	1705249SM	2	SPACER
56	1705248SM	2	PIVOT, Hood
57	1704628SM	2	PIN, Quick
58	1960373SM	2	CAPSCREW, Hex Washer Head Taptite, 5/16-18 x 1
59	1935255SM	4	NUT, Speed Lug Type, 5/16-18
60	1960295SM	6	SCREW, Hex Flange Whiz Lock, 1/4-20 x 5/8
61	1930595SM	1	CAPSCREW, Hex Flange Whiz Lock, 5/16-18 x 1-1/4, G5 (20HP Models Only)
62	2820427SM	1	LOCKWASHER, External Tooth, 3/8

**Footnotes**

**NOTE:** Unless noted otherwise, use the standard hardware torque specification chart.

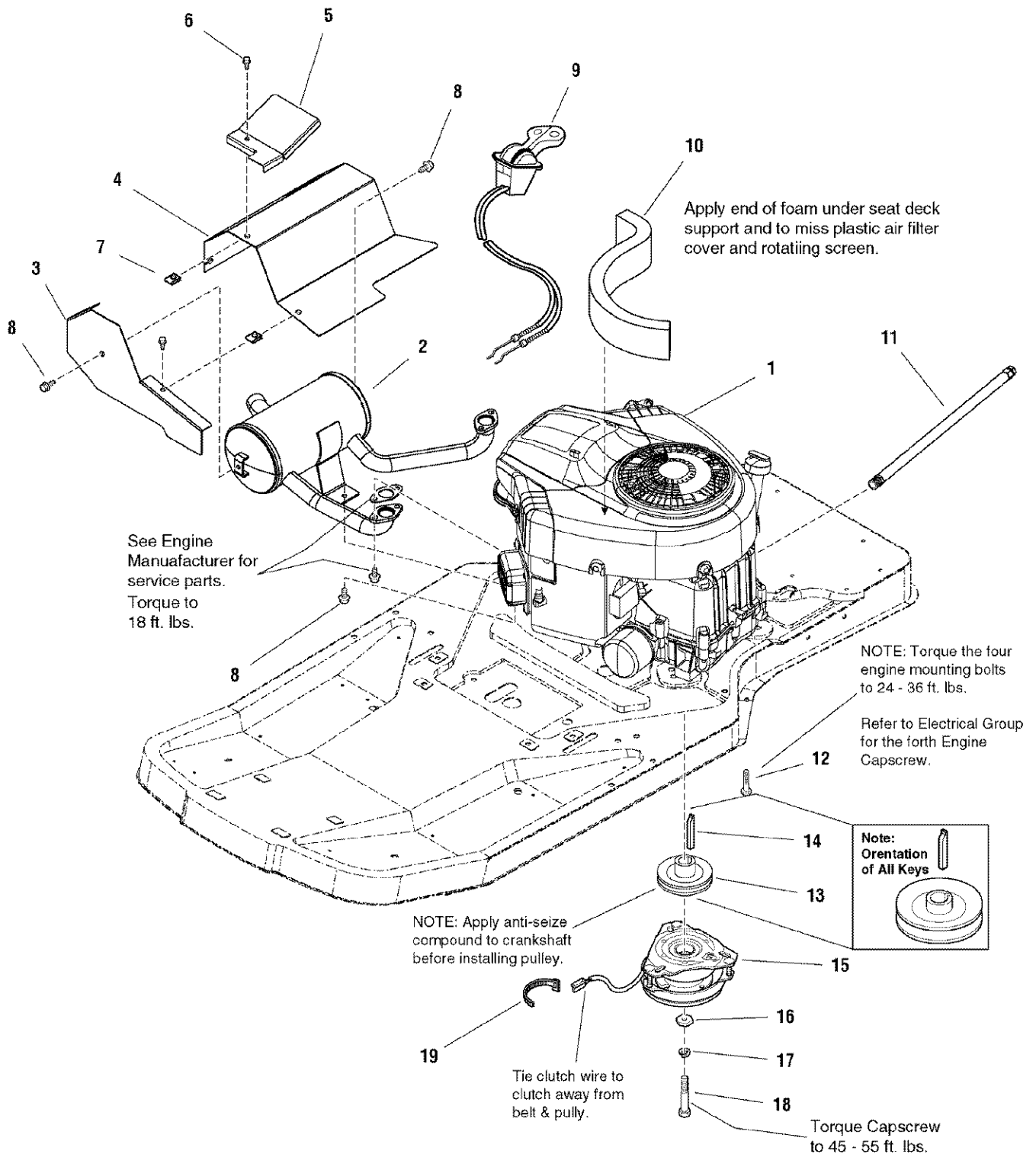


<b>REF NO</b>	<b>PART NO.</b>	<b>QTY.</b>	<b>DESCRIPTION</b>
1	*	1	ENGINE, 20HP, KOHLER Courage, Model #SV600S, Type # 0010
2	1727809SM	1	MUFFLER
3	1728982SM	1	SHIELD & INSULATION ASSEMBLY, Muffler, Heat Top
4	1727937ASM	1	SHIELD, Muffler, Heat Side
5	1924856SM	1	CAPSCREW, Hex Head, 5/16-18 x 1/2, G5
6	1930595SM	1	CAPSCREW, Hex Flange Whiz Lock, 5/16-18 x 1-1/4, G5
7	1931277SM	2	NUT, Hex Flange, 5/16-18
8	1727817SM	1	CONTROL, Throttle
9	1727928SM	1	SEAL, Foam
10	2832747SM	1	TIE, Self Locking
11	1726498SM	1	HOSE, Oil Drain
12	2860361SM	4	CAPSCREW, Hex Washer Head Taptite, 3/8-16 x 2
13	1727816SM	1	PULLEY
14	1720463SM	1	KEY, Parallel
15	1686880SM	1	CLUTCH, Electric, OGURA
16	1708264SM	1	WASHER, Hex
17	1918199SM	1	LOCKWASHER, Spring
18	1960648SM	1	CAPSCREW, Hex Head, 7/16-20 x 2-3/4, G5
19	1923683SM	3	CAPSCREW, Hex Washer Head Taptite, 3/8-16 x 3/4
21	1734049SM	1	ANCHOR, Clutch
22	1924940SM	1	WASHER, 3/8

**Footnotes**

Note\* See Engine Repair Parts.

**NOTE:** Unless noted otherwise, use the standard hardware torque specification chart.

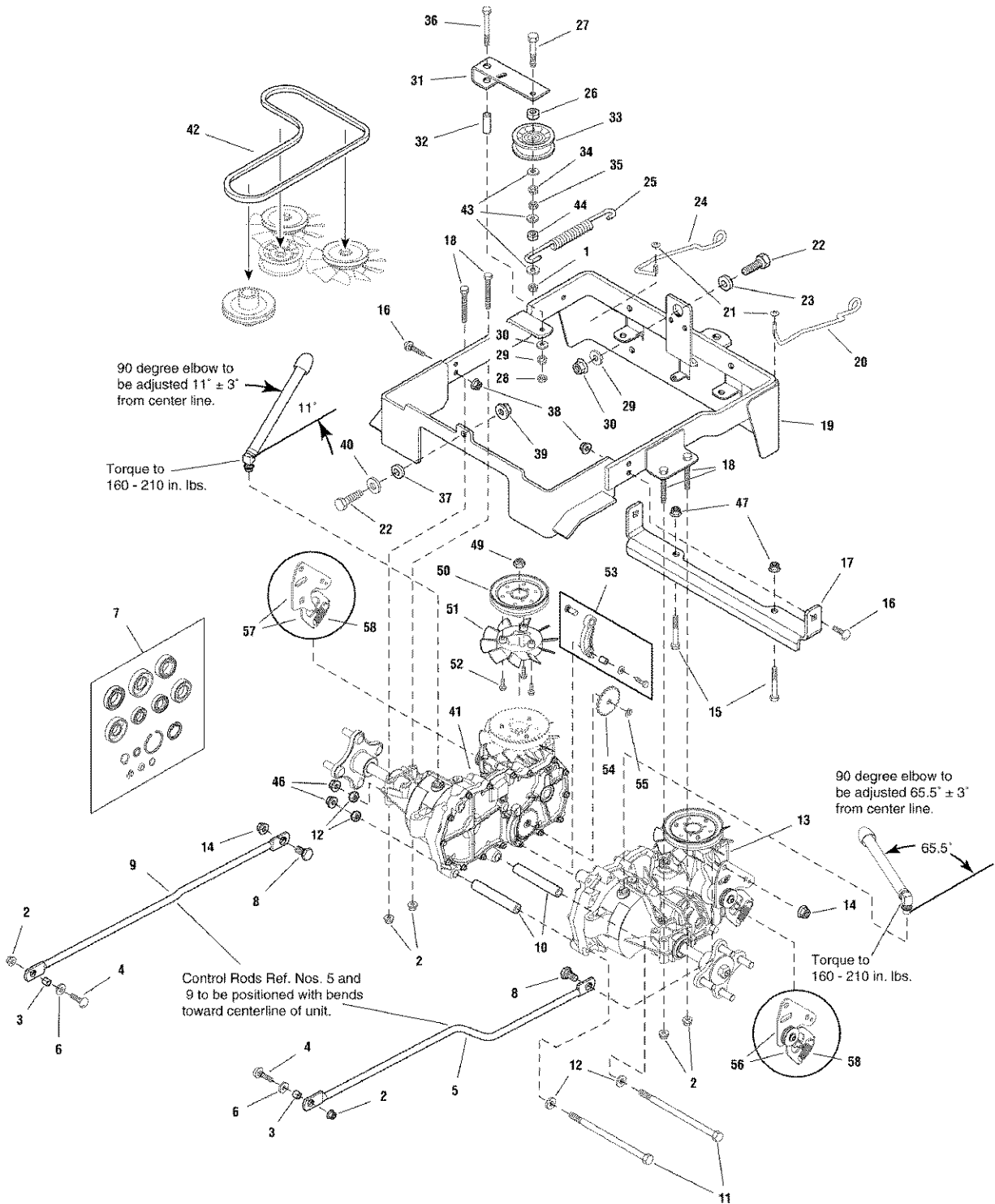


<b>REF NO</b>	<b>PART NO.</b>	<b>QTY.</b>	<b>DESCRIPTION</b>
1	*	1	ENGINE, 22HP, Briggs & Stratton, Model # 442777, Type # 0120-E1
2	1727805SM	1	MUFFLER
3	1727939ASM	1	SHIELD, Heat, Muffler Side
4	1727938ASM	1	SHIELD, Heat, Muffler Top
5	1728017ASM	1	SHIELD, Heat, Throttle
6	1960295SM	4	CAPSCREW, Hex Head Whizlock, 1/2-20 x 5/8
7	1960368SM	1	LUG NUT, Speed, 1/2-20
8	1924856SM	4	CAPSCREW, Hex Washer Head Taptite, 5/16-18 x 1/2
9	1727818SM	1	CONTROL, Throttle
10	1727928SM	1	SEAL, Foam
11	1726498SM	1	HOSE, Oil Drain
12	2830598SM	4	CAPSCREW, Hex Washer Head Taptite, 3/8-16 x 1-1/2
13	1727816SM	1	PULLEY
14	1720463SM	1	KEY, Parallel
15	1686880SM	1	CLUTCH, Electric, OGURA
16	1708264SM	1	WASHER, Hex
17	1918199SM	1	LOCKWASHER, Spring
18	1960648SM	1	CAPSCREW, Hex Head, 7/16-20 x 3-5/8, G5
19	2832747SM	1	TIE, Self Locking

**Footnotes**

Note\* See Engine Repair Parts.

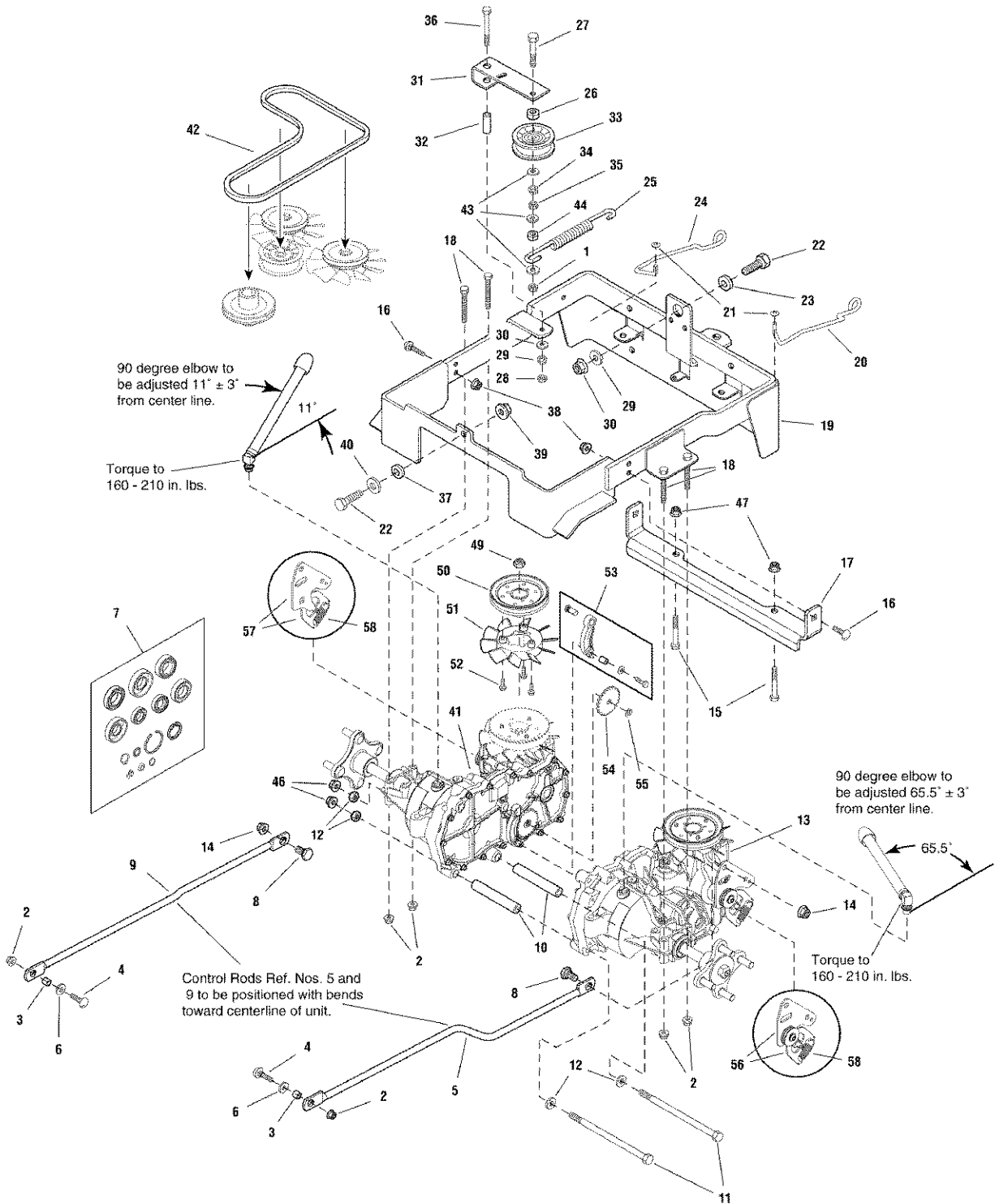
NOTE: Unless noted otherwise, use the standard hardware torque specification chart.



REF NO	PART NO.	QTY.	DESCRIPTION
1	1960251SM	1	NUT, Hex Centerlock Jam, 3/8-16
2	1960686SM	6	NUT, Hex Flange, 5/16-18 ESNA
3	1960236SM	2	SPACER
4	1960223SM	2	CARRIAGE BOLT, 5/16-18 x 1, G5
5	1727555SM	1	ROD, Control, L.H.
6	1919381SM	1	WASHER, 5/16
7	1728060SM	1	HYDRO SEAL KIT
8	1727831SM	2	BOLT, Shoulder, 7/16-14, G5
9	1727556SM	1	ROD, Control, R.H.
10	1727795ASM	2	SPACER
11	2860398SM	2	CAPSCREW, Hex Head, 7/16-14 x 8, G5
12	1918267SM	4	WASHER, 7/16
13	1727806SM	1	TRANSMISSION, Hydro Gear, L.H.
14	1930650SM	2	NUT, Hex Flange, 7/16-14, Two-Way Lock
15	2860358SM	4	SCREW, Hex Washer Head Taptite, 3/8-16 x 2-1/2
16	1960268SM	2	CARRIAGE BOLT, 3/8-16 x 1-1/4, G5
17	1727464A	1	SUPPORT, Center Transmission
18	1923141SM	4	CAPSCREW, Hex Head, 5/16-18 x 2-3/4, G5
19	1732595ASM	1	FRAME ASSEMBLY, Carrier Transmission
20	1727767SM	1	ROD, Actuator, R.H. E-Coat
21	1725550SM	1	CLIP, Rod End Clevis L.H.
22	1921176SM	2	CAPSCREW, Hex Head, 1/2-13 x 1-1/4, G5
23	1719725SM	1	SPACER
24	1727766SM	1	ROD, Actuator, L.H. E-Coat
25	1730177SM	1	SPRING, Extension
26	1667811SM	1	SPACER, Powdered Metal
27	1922130SM	1	CAPSCREW, Hex Head, 3/8-16 x 2-1/4, G5
28	1917372SM	1	NUT, Hex, 5/16-18
29	1917356SM	1	LOCKWASHER, Spring 5/16
30	1919326SM	1	WASHER, 5/16
31	1715971ASM	1	ARM, Idler
32	1713588SM	1	SPACER, Powdered Metal
33	2154534SM	1	PULLEY, Idler
34	1916965SM	1	LOCKWASHER, Spring, 3/8
35	1916950SM	1	NUT, Hex, 3/8-16
36	1921719SM	1	CAPSCREW, Hex Head, 5/16-18 x 2-1/2, G5
37	1719683SM	1	SPACER
38	1928352SM	1	NUT, Hex Flange, 3/8-16, Whiz Lock
39	1930644SM	2	NUT, Hex Flange, 1/2-13, Two-Way Lock
40	1924361SM	2	WASHER, 1/2
41	1727807SM	1	TRANSMISSION, Hydro Gear, R.H.
42	1687316SM	1	V-BELT
43	1924940SM	3	WASHER, 3/8
44	2108717SM	1	SPACER

## Footnotes

NOTE: Unless noted otherwise, use the standard hardware torque specification chart.

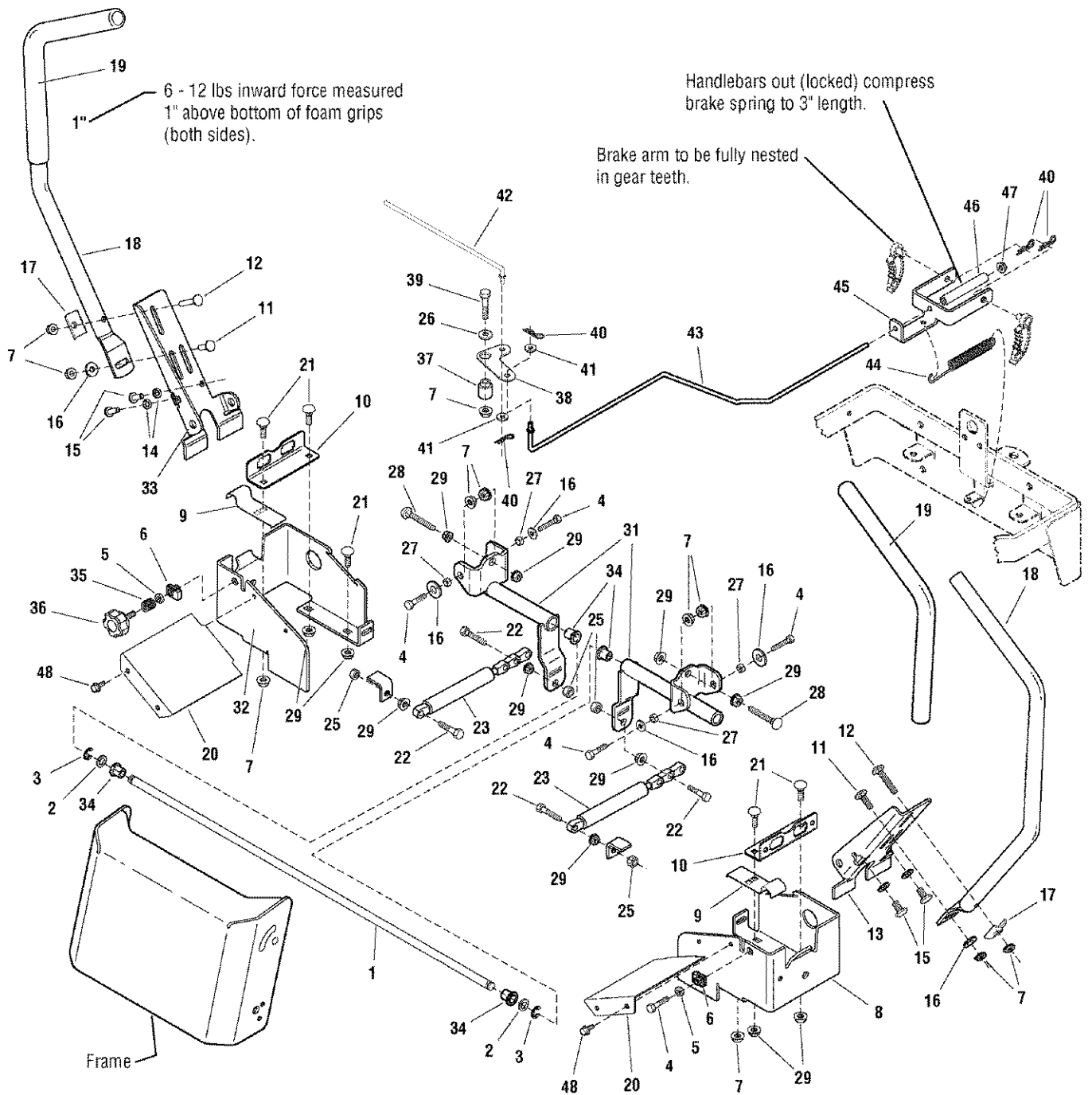




<b>REF NO</b>	<b>PART NO.</b>	<b>QTY.</b>	<b>DESCRIPTION</b>
45	5020601SM	8	NUT, Hex, 1/2-20
46	1960734SM	2	NUT, Hex Centerlock Jam, 7/16-14
47	1928352SM	4	NUT, Hex Flange, 3/8-16, Whiz Lock
48	1717024SM	1	CLIP, Rod End Clevis R.H.
49	1930633SM	1	NUT, Hex Head Center Lock
50	1728073SM	1	PULLEY, 4.5", Transmission
51	1728074SM	1	FAN, 6", Transmission
52	1925592SM	1	CAPSCREW, Hex Head, Transmission
53	1728075SM	1	PARKING BRAKE ARM ASSEMBLY, Transmission L.H. or R.H.
54	1728076SM	1	GEAR, Parking Brake, Transmission
55	1716622SM	1	CLIP, E Transmission Parking Brake
56	1735490SM	1	ARM, Control Kit L.H.
57	1735491SM	1	ARM, Control Kit R.H.
58	1735483SM	2	SPRING, Extension

**Footnotes**

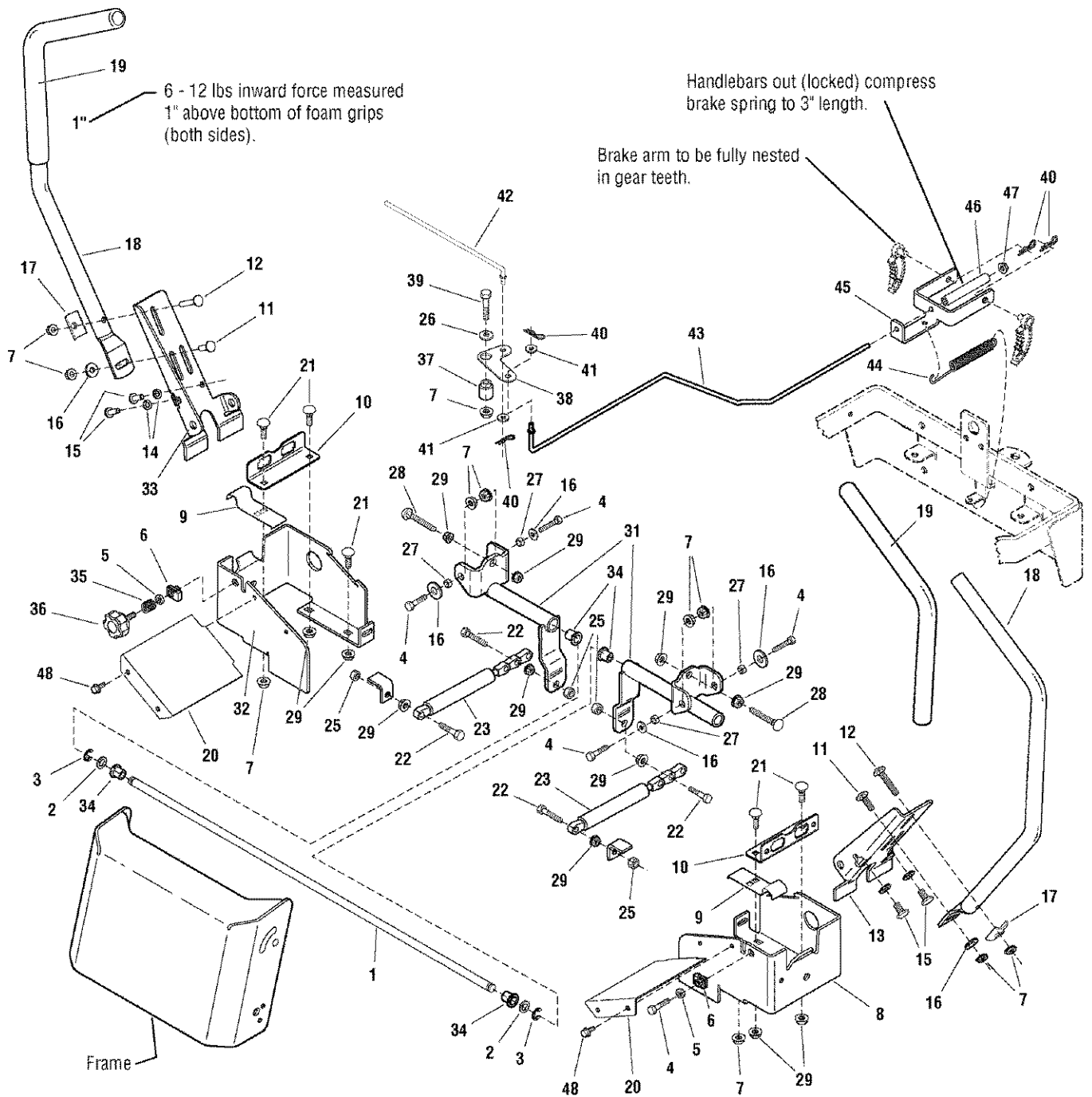
NOTE: Unless noted otherwise, use the standard hardware torque specification chart.



REF NO	PART NO.	QTY.	DESCRIPTION
1	1725927SM	1	SHAFT, Cross
2	1960027SM	2	WASHER, 1/2
3	1703805SM	2	RING, Klipring Extension
4	1921977SM	5	CAPSCREW, Hex Head, 5/16-18 x 1-1/4, G5
5	1920161SM	6	NUT, Hex Jam, 5/16-18
6	1960717SM	2	NUT, Speed, 5/16-18 Lug Type
7	1960686SM	15	NUT, Hex Flange, 5/16-18 ESNA
8	1728009ASM	1	BRACKET, L.H. Mounting Handle Pivot
9	1727919SM	2	CLIP, Brake
10	1727663ASM	2	BRACKET, "L" Switch
11	1931335SM	2	CARRIAGE BOLT, 5/16-18 x 1, G5
12	1931338SM	2	CARRIAGE BOLT, 5/16-18 x 1-3/4, G5
13	1727926ASM	1	BRACKET, Tube Mount L.H.
14	1917356SM	4	LOCKWASHER, Spring, 5/16
15	1960086SM	4	SCREW, Truss Head Torx Drive, 5/16-18 x 7/8
16	1919381SM	6	WASHER, 5/16
17	1720452SM	2	CLAMP, Saddle Snow Handle, E-Coat
18	1727796ASM	2	TUBE, Handle
19	1726410SM	2	GRIP, Foam Handle
20	1727933ASM	2	COVER, Lower Handle
21	1960223SM	6	BOLT, Carriage, 5/16 - 18 x 1-1/4
22	1921221SM	4	CAPSCREW, Hex Head, 5/16-18 x 1-1/2, G5
23	1727918SM	2	SHOCK ABSORBER
25	1919438SM	4	NUT, Hex Lock ESNA Light, 5/16-18NC-3B
26	1919326SM	1	WASHER, 5/16
27	1666697SM	4	SPACER, Powdered Metal
28	1960723SM	2	CARRIAGE BOLT, 5/16-18 x 2-1/4, G5
29	1931277SM	8	NUT, Hex Flange Whiz Lock, 5/16-18
31	1727603ASM	2	PIVOT ASSEMBLY, Control
32	1728010ASM	1	BRACKET, R.H. Mounting Handle Pivot
33	1727927ASM	1	BRACKET, Tube Mount R.H.
34	1715025SM	4	BUSHING
35	1701342SM	1	SPRING, Compression (Early Models)
36	1726839SM	1	KNOB, Extension Thread, 5/16-18 x 1-1/4
37	1666106SM	1	BUSHING, Powdered Metal
38	1727667SM	1	BRACKET, Pivot
39	1922127SM	1	CAPSCREW, Hex Head, 5/16-18 x 1-3/4, G5
40	1722460SM	4	PIN, Quick
41	1921319SM	2	WASHER, 1/4
42	1727669SM	1	ROD, Pivot
43	1733357SM	1	ROD, 1/4-20 x 2
44	1709314SM	1	SPRING, Extension
45	1727814ASM	1	BRACKET, Duel Brake
46	1729277SM	1	SPRING, Compression

## Footnotes

NOTE: Unless noted otherwise, use the standard hardware torque specification chart.



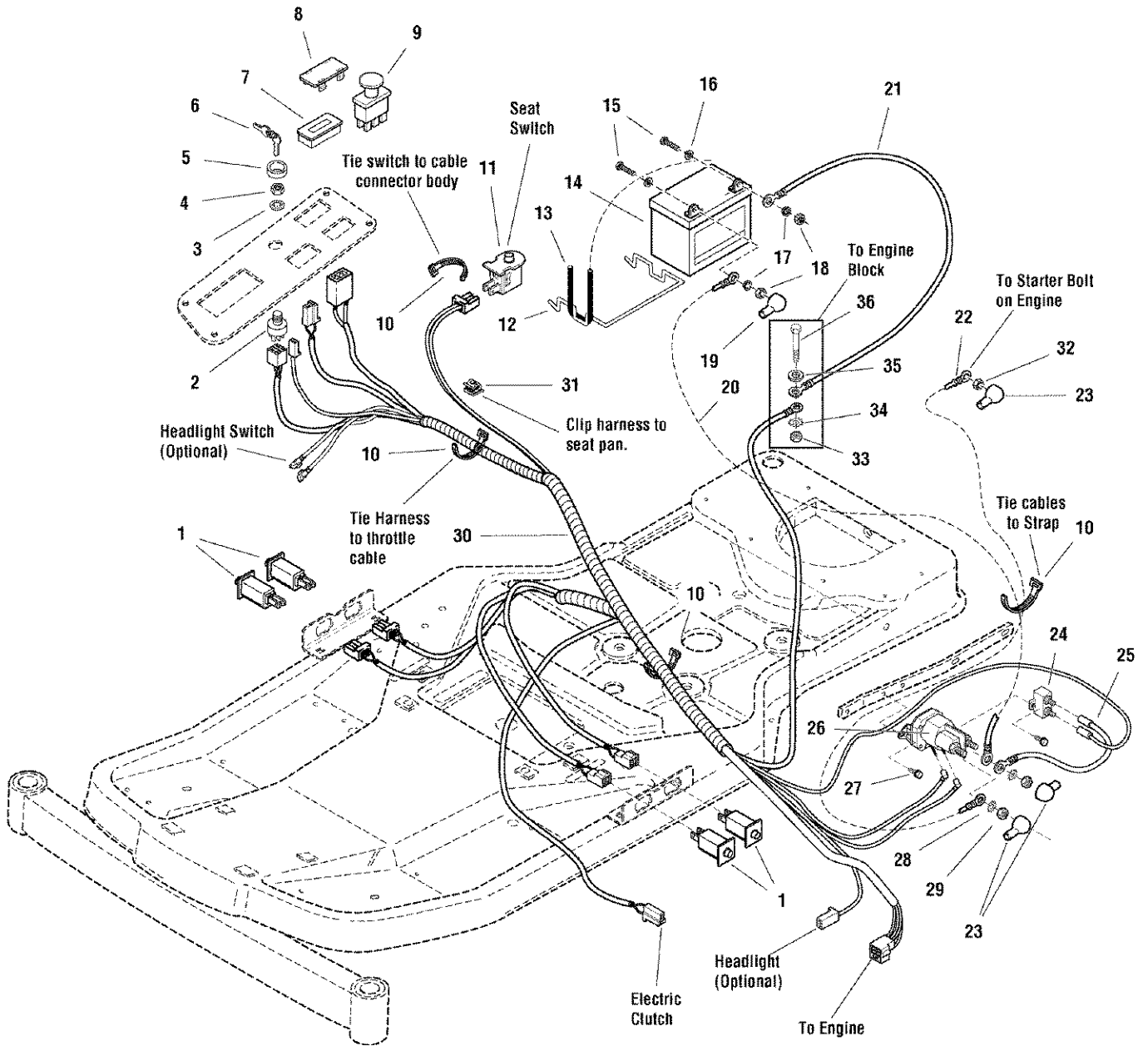
---

<b>REF NO</b>	<b>PART NO.</b>	<b>QTY.</b>	<b>DESCRIPTION</b>
47	1960694SM	1	NUT, Hex Flange, 1/4-20 ESNA
48	1925003SM	2	SCREW, Hex Washer Head Taptite, 1/4-20 x 1/2

---

**Footnotes**

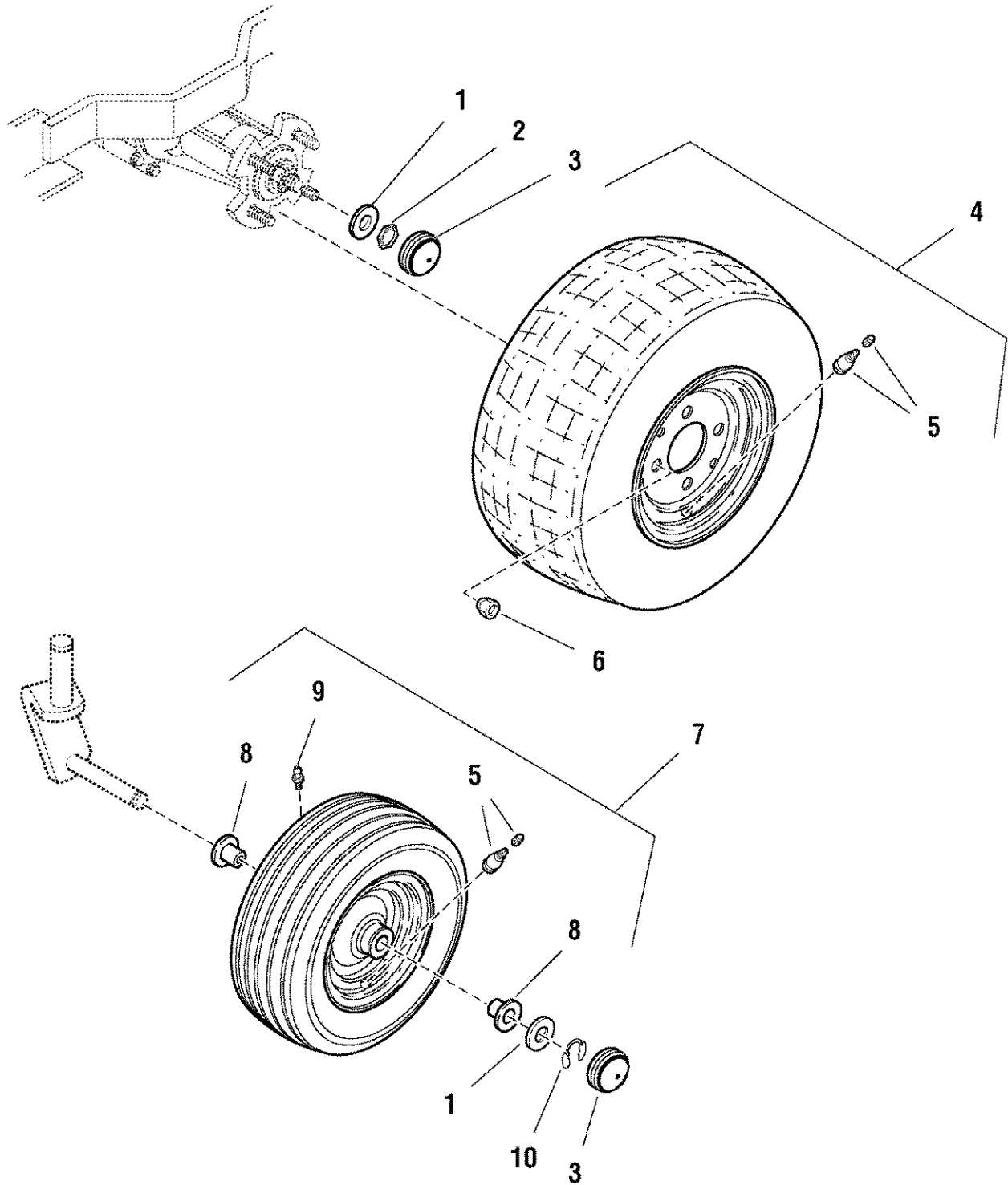
NOTE: Unless noted otherwise, use the standard hardware torque specification chart.



<b>REF NO</b>	<b>PART NO.</b>	<b>QTY.</b>	<b>DESCRIPTION</b>
1	1732006SM	4	SWITCH, Push Button
2	1686734SM	1	SWITCH ASSEMBLY, Ignition (Includes Ref. Nos. 3, 4, 5 & 6)
3	1960547SM	1	LOCKWASHER, Internal Tooth, Ignition Switch
4	1717549SM	1	NUT, Hex Flange, 5/8-32, Ignition Switch
5	1717550SM	1	COVER, Ignition Switch
6	1717163SM	1	KEYS (Set of Two Keys)
7	1731185SM	1	METER, Hour Digital with Oil & Lube Alarms
8	1722611SM	1	PLUG, Hole
9	1722887SM	1	SWITCH, PTO Push/Pull
10	1701011SM	4	TIE, Self Locking
11	1732005SM	1	SWITCH, Push Button, Seat Switch
12	1667805SM	1	BRACE, Battery
13	1665872SM	1	STRAP, Black
14	----	1	BATTERY, 12 Volt, 6 Cell, 340 Amps
15	2823341SM	2	CAPSCREW, Hex Head, 1/4-20 x 3/4, G5
16	2821319SM	2	WASHER, 1/4
17	2816964SM	2	LOCKWASHER, Spring, 1/4
18	2816622SM	2	NUT, Hex, 1/4-20
19	1709086SM	1	BOOT, Insulator
20	1716549SM	1	CABLE, #6 x 10, 2 Ring Terminals
21	1707056SM	1	CABLE, #6 x 15, 2 Ring Terminals (Briggs & Stratton)
21	1713163SM	1	CABLE, #6 x 26, 2 Ring Terminals (KOHLER)
22	1727668SM	1	CABLE, #6 x 15, 2 Ring Terminals
23	1724588SM	3	COVER, Terminal
24	1665238SM	1	BREAKER, Circuit, 12 Volt, 20 Amps with Tab
25	1665237SM	1	WIRE, 12 GA
26	1686981SM	1	SOLENOID, 4 Pole, 12 Volt DC
27	1925003SM	2	CAPSCREW, Hex Washer Head Taptite, 1/4-20 x 1/2, G5
28	2820426SM	2	LOCKWASHER, External Tooth
29	2820263SM	2	NUT, Hex, 5/16-24
30	1727801SM	1	HARNESS, Wiring
31	2172434SM	1	CLIP, Cable
32	1917421SM	1	NUT, Hex 3/8-16NC-2B
33	1931277SM	1	NUT, Hex Flange Whiz Lock 3/8-18
34	2820427SM	1	WASHER, External Tooth, 3/8
35	1919326SM	2	WASHER, 5/16
36	1921221SM	2	CAPSCREW, Hex Head 5/16-18 x 1-1/2, G5 (Briggs & Stratton)
36	1921978SM	2	CAPSCREW, Hex Head 5/16-18 x 2 G5 (KOHLER)

**Footnotes**

NOTE: Unless noted otherwise,  
use the standard hardware torque  
specification chart.





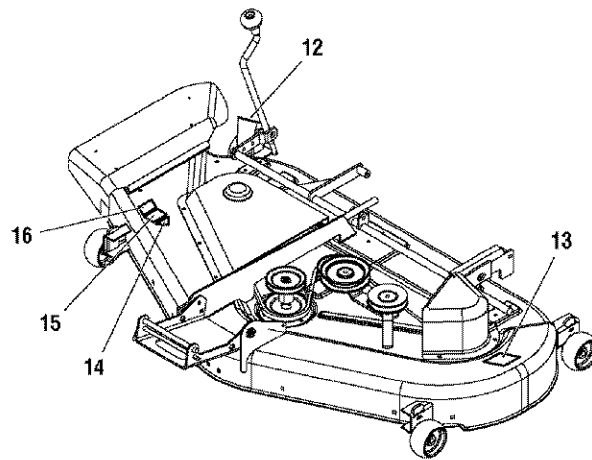
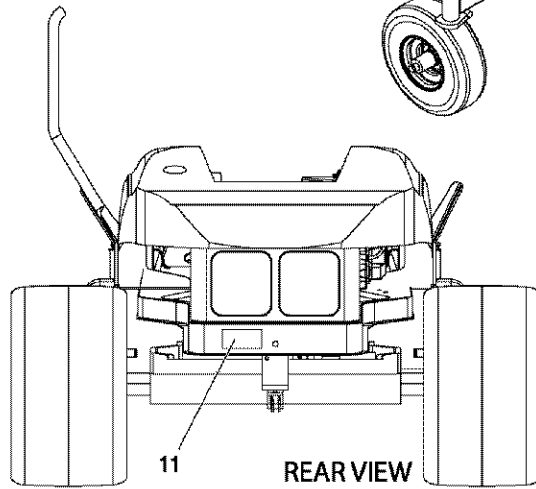
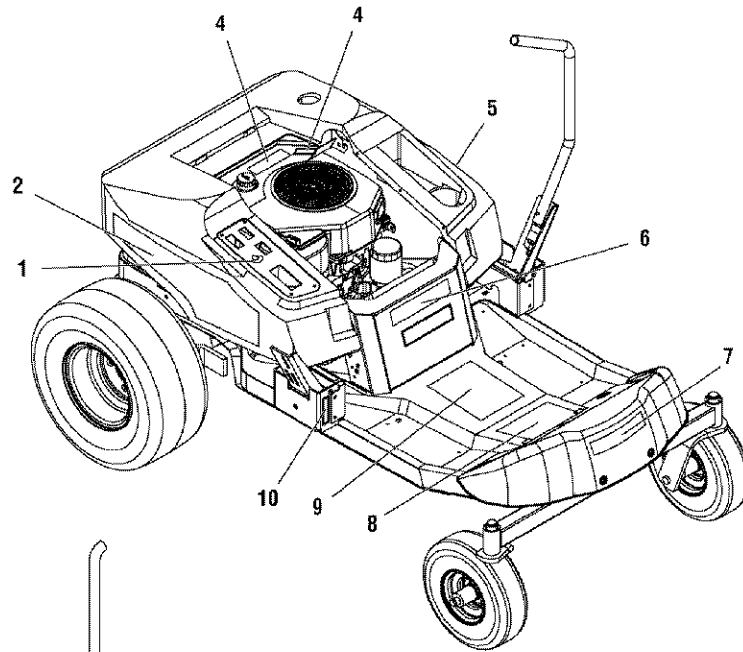
**Wheels & Tires Group**

ZT 7000 - 107.27772 &amp; 107.27774

<b>REF NO</b>	<b>PART NO.</b>	<b>QTY.</b>	<b>DESCRIPTION</b>
1	2860202SM	4	WASHER, 3/4
2	2830647SM	2	NUT, Hex Lock PAL, 3/4-20
3	1722675SM	4	CAP, Hub
4	1726383SM	2	WHEEL & TIRE ASSEMBLY, Rear
5	2172353SM	2	VALVE STEM & CAP
6	5020601SM	8	NUT, Hex Lug, 1/2-20
7	1726382SM	2	WHEEL & TIRE ASSEMBLY, Front
8	1713167SM	4	BUSHING, Wheel
9	2812808SM	2	FITTING, Lube
10	1611710SM	2	RING, Klipring for 3/4 Shaft

Footnotes

**NOTE:** Unless noted otherwise,  
use the standard hardware torque  
specification chart.



**Decals Group**

ZT 7000 - 107.27772 &amp; 107.27774

REF NO	PART NO.	QTY.	DESCRIPTION
1	1726526SM	1	DECAL, Ignition Switch
2	1728046SM	1	DECAL, Seat Deck Stripe, R.H.
3	*	1	DECAL, Engine 18HP Kohler
4	1726631SM	1	DECAL, Do Not Remove Foam Seal
5	1728045SM	1	DECAL, Seat Deck Stripe, L.H.
6	1727858SM	1	DECAL, ZT 7000 (2044)
6	1727857SM	1	DECAL, ZT 7000 (2250)
7	1728049SM	1	DECAL, CRAFTSMAN
8	1727855SM	1	DECAL, Panel Upper, Operation
9	1727856SM	1	DECAL, Panel Lower, Warning/Danger & Icon Indicator
10	1726638SM	1	DECAL, Tracking
11	1720543SM	2	DECAL, Transmission Release Valve
12	1726642SM	1	DECAL, Height of Cut
13	1704276SM	1	DECAL, Danger (Do Not Put Hands/Feet in Mower)
14	*	1	DECAL, OPEI Certified (Not Serviced)
15	1722789SM	1	DECAL, 44" Mower Deck
15	1722790SM	1	DECAL, 50" Mower Deck
16	1704277SM	1	DECAL, Danger (Do Not Operate With Out Deflector)

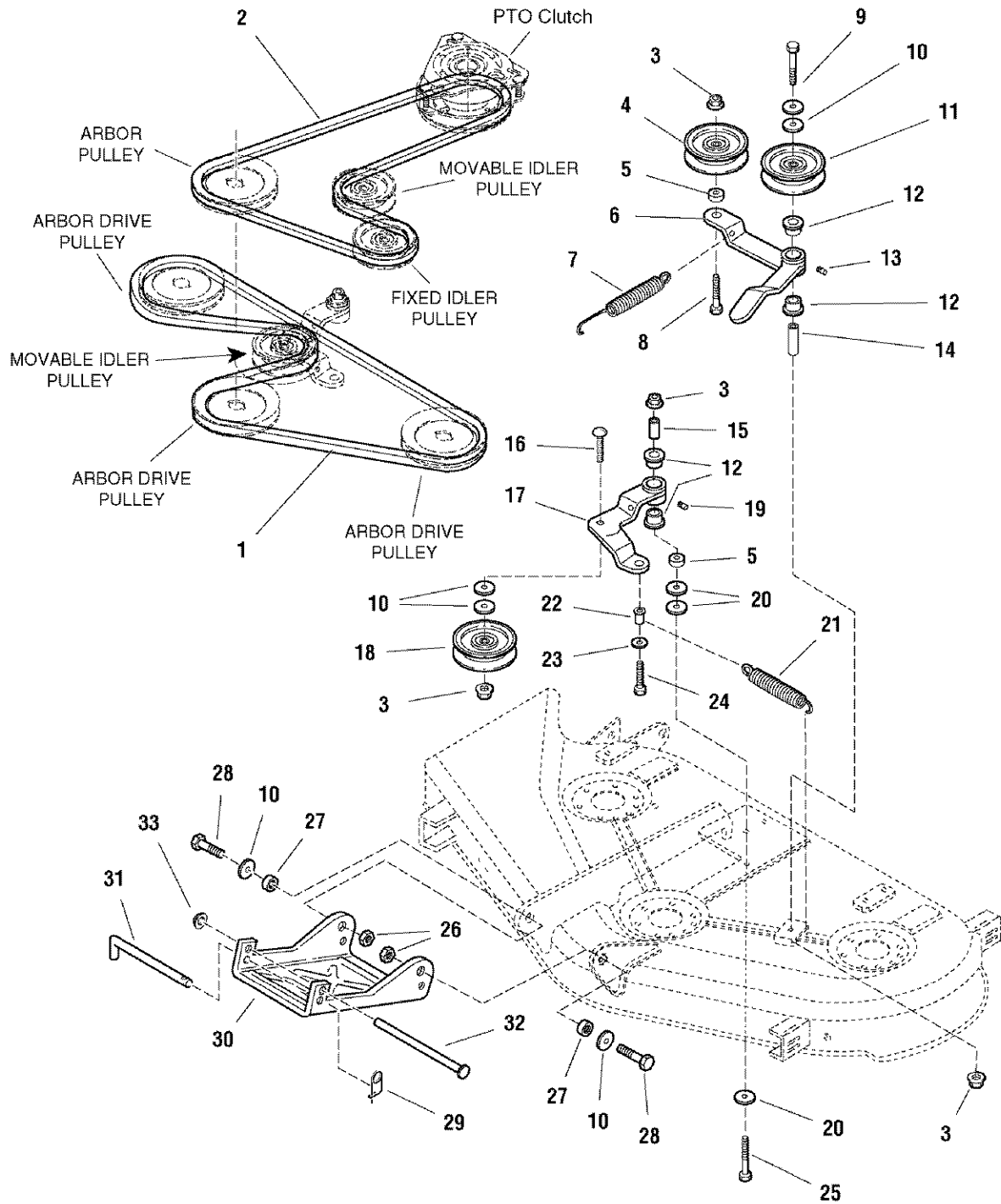
**Footnotes**

Note\* Not a Service Part.

# 44" & 50" Mower Deck - Clutch & Support Group

ZT 7000 - 107.27772 & 107.27774

NOTE: Unless noted otherwise,  
use the standard hardware torque  
specification chart.



**44" & 50" Mower Deck - Clutch & Support Group**

ZT 7000 - 107.27772 &amp; 107.27774

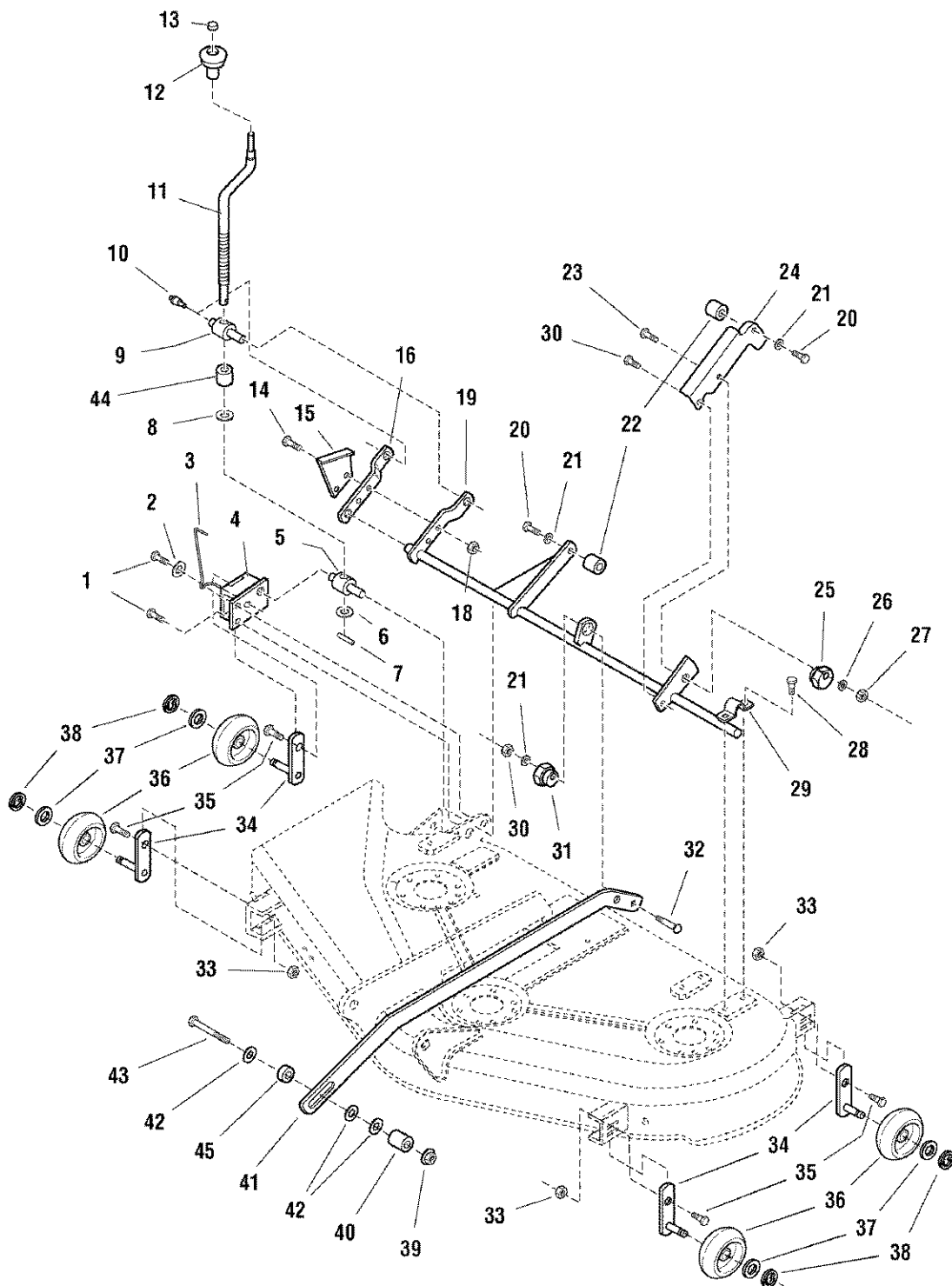
REF NO	PART NO.	QTY.	DESCRIPTION
1	1727869SM	1	V-BELT, 44" Mower Deck
1	1726472SM	1	V-BELT, Mower Drive, 50" Mower Deck
2	1727773SM	1	V-BELT, P.T.O. 44" Mower Deck
2	1726471SM	1	V-BELT, P.T.O. 50" Mower Deck
3	1960339SM	4	NUT, Hex Flange, 3/8-16
4	2171247SM	1	PULLEY, Idler
5	1667811SM	2	SPACER, Powdered Metal
6	1726814SM	1	LEVER & HANDLE ASSEMBLY (Includes Ref. Nos. 12 & 13)
7	1714062SM	1	SPRING, Extension
8	1931353SM	1	CAPSCREW, 3/8-16 x 1-1/2, G5
9	1922918SM	1	CAPSCREW, 3/8-16 x 3-1/4
10	1924940SM	7	WASHER, 3/8
11	1706510SM	1	PULLEY, Idler
12	1676148SM	4	BUSHING
13	2812808SM	1	FITTING, Lube, 1/4-20 Tapered
14	1657242SM	1	SPACER, Hardened
15	1674669SM	1	SPACER, Hard Case
16	1960268SM	1	CARRIAGE BOLT, 3/8-16 x 1-1/4, G5
17	1718561SM	1	LEVER ASSEMBLY, Idler (Includes Ref. Nos. 12 & 19)
18	1724387SM	1	PULLEY, Idler
19	2821133SM	1	FITTING, Lube, 1/4 Drive
20	1924356SM	3	WASHER, 3/8
21	1656936SM	1	SPRING, Extension
22	1701159SM	1	SPACER
23	1921319SM	1	WASHER, 1/4
24	1933958SM	1	CAPSCREW, Hex Head, 1/4-20 x 1-1/6
25	1921972SM	1	CAPSCREW, Hex Head, 3/8-16 x 2-1/2, G5
26	1919439SM	2	NUT, Hex Lock ESNA Light, 3/8-16
27	1713791SM	2	SPACER, Powdered Metal
28	1922605SM	2	CAPSCREW, 3/8-16 x 1-1/4, G8
29	2176012SM	1	PIN, Retaining
30	1728124ASM	1	HITCH
31	1726012SM	1	ROD, Hitch
32	1713578SM	1	ROD, Hitch, 1/2 x 7-5/8
33	1960519SM	1	NUT, Push 1/2

**Footnotes**

# 44" & 50" Mower Deck - Height Adjustment Group

ZT 7000 - 107.27772 & 107.27774

NOTE: Unless noted otherwise,  
use the standard hardware torque  
specification chart.



**44" & 50" Mower Deck - Height Adjustment Group**

ZT 7000 - 107.27772 &amp; 107.27774

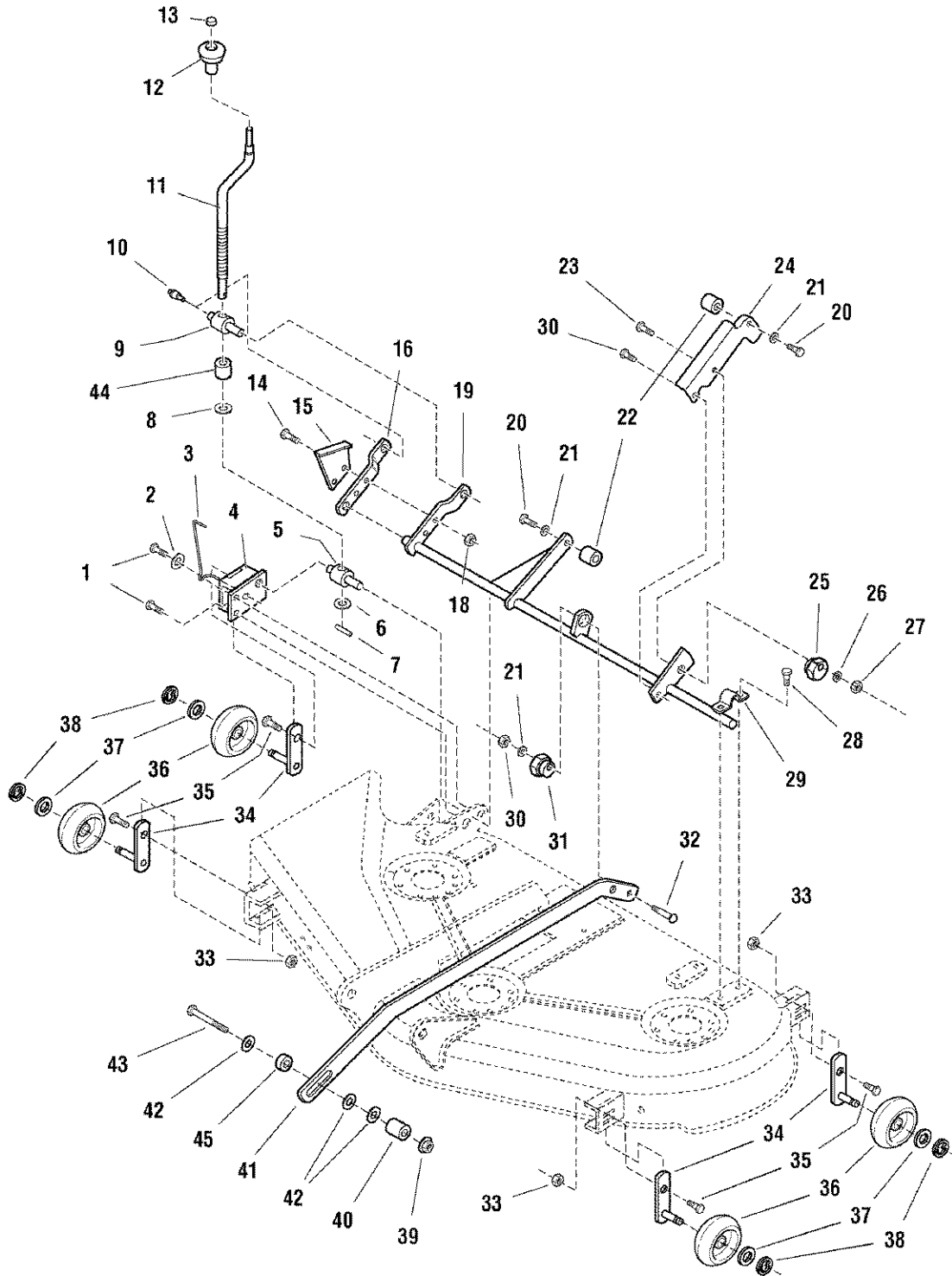
REF NO	PART NO.	QTY.	DESCRIPTION
1	1931202SM	2	CAPSCREW, Hex Washer Head Taptite, 5/16-18 x 1-1/4
2	1919381SM	1	WASHER, 5/16
3	1704114SM	1	ROD, Indicator Height of Cut
4	1726424ASM	1	PLATE & BRACKET ASSEMBLY, Gauge Wheel
5	1724009SM	1	TRUNNION, 1-1/4
6	1704097SM	1	WASHER, Detent
7	2816001SM	1	PIN, Spring
8	1960170SM	2	WASHER, 9/16
9	1715892SM	1	TRUNNION, 1-1/4
10	1704314SM	1	FITTING, Lube
11	1727681SM	1	CRANK, Height Adjustment
12	1714084SM	1	KNOB, Spinner, Soft
13	1960093SM	1	NUT, Push
14	1921977SM	2	CAPSCREW, Hex Head, 5/16-18 x 1-1/4, G5
15	1704116ASM	1	BRACKET, Height of Cut
16	1726409ASM	1	ARM, Rear
18	1931277SM	1	NUT, Hex Whiz Lock, 5/16-18
19	1727906ASM	1	ARM ASSEMBLY, Roller Bar 50"
19	1727768ASM	1	ARM ASSEMBLY, Roller Bar 44"
20	1921210SM	2	CAPSCREW, Hex Head, 3/8-16 x 1, G5
21	1916965SM	2	LOCKWASHER, Spring, 3/8
22	1716010SM	2	SPACER, Support
23	1960655SM	1	CARRIAGE BOLT, 5/16-18 x 1-1/4, G5
24	1718136ASM	1	ARM, Rear Adjustable
25	1714879SM	1	CAM, Eccentric, Hex
26	1924874SM	1	WASHER, 5/16
27	2860643SM	1	NUT, Hex Flange Collar Lock , 5/16-18
28	1664847SM	6	CAPSCREW, Hex Washer Head Taptite, 5/16-18 x 3/4
29	1665374SM	3	STRAP, Arm Assembly
30	1916950SM	1	NUT, Hex 3/8-16
31	1704082SM	1	CAM, Eccentric
32	2118053SM	1	PIN, Round Head, Drilled, 3/8 x 2
33	1930642SM	4	NUT, Hex Flange Toplock 1/4-20
34	1716020ASM	4	SHAFT & BAR ASSEMBLY, Roller Fixed Arm
35	1923341SM	4	CAPSCREW, Hex Head, 1/4-20 x 3/4, G5
36	1714760SM	4	WHEEL, Roller
37	1960027SM	4	WASHER, 1/2
38	2158399SM	4	E-RING, Retaining Extension
39	1930645SM	1	NUT, Hex Two-Way Lock Flange, 3/8-16
40	1674440SM	1	SPACER
41	1718109A	1	ARM, Pitch 44"
41	1727917ASM	1	ARM, Pitch 50"
42	1922755SM	1	WASHER, 3/8
43	1923701SM	1	CAPSCREW, 3/8-16 x 2

**Footnotes**

# 44" & 50" Mower Deck - Height Adjustment Group

ZT 7000 - 107.27772 & 107.27774

NOTE: Unless noted otherwise,  
use the standard hardware torque  
specification chart.





**44" & 50" Mower Deck - Height Adjustment Group**

ZT 7000 - 107.27772 & 107.27774

---

REF NO	PART NO.	QTY.	DESCRIPTION
44	1709195SM	1	SPACER
45	1611705SM	1	SPACER

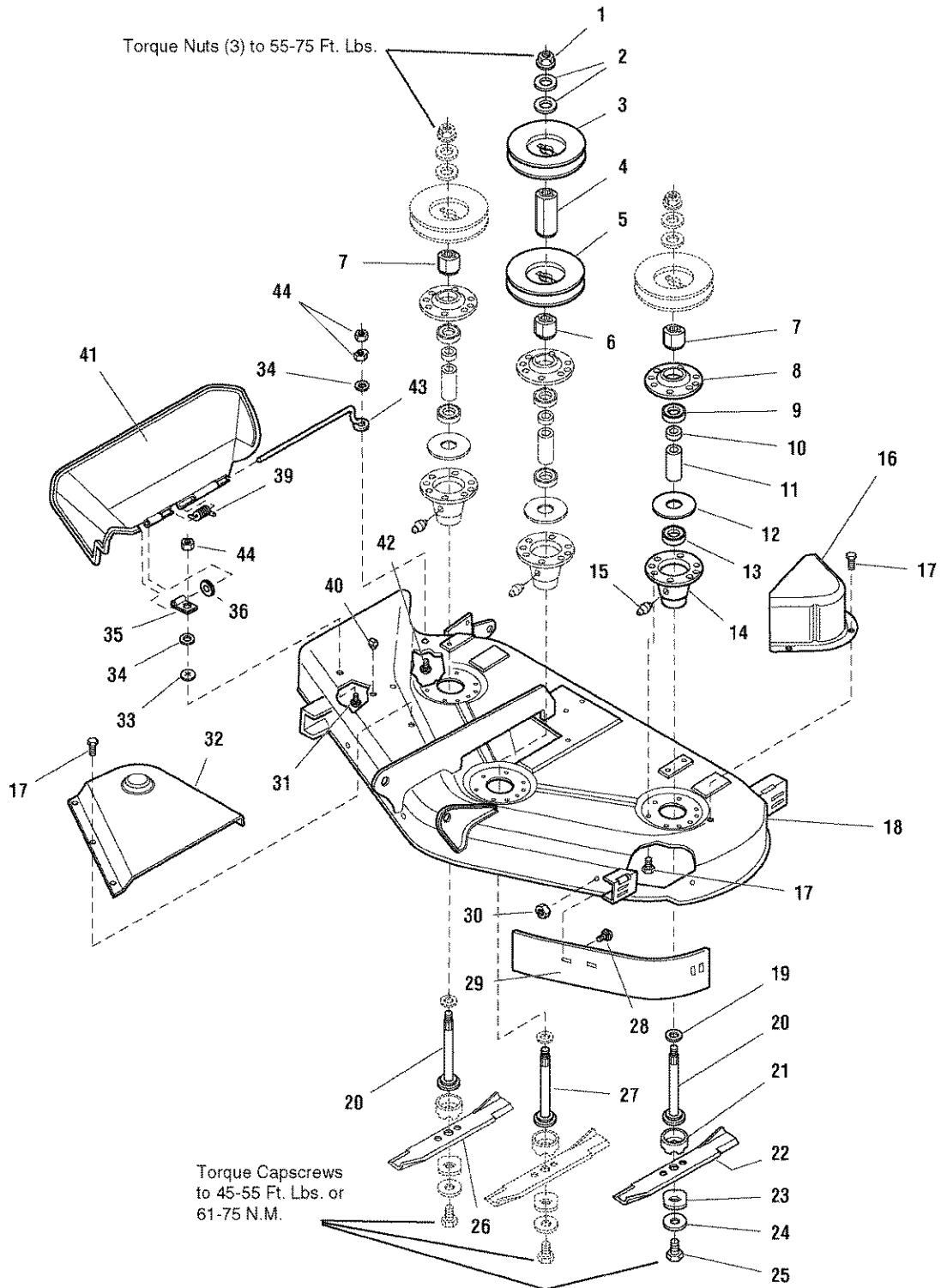
---

Footnotes

# 44" & 50" Mower Deck - Housing & Arbor Group

ZT 7000 - 107.27772 & 107.27774

NOTE: Unless noted otherwise,  
use the standard hardware torque  
specification chart.



**44" & 50" Mower Deck - Housing & Arbor Group**

ZT 7000 - 107.27772 & 107.27774

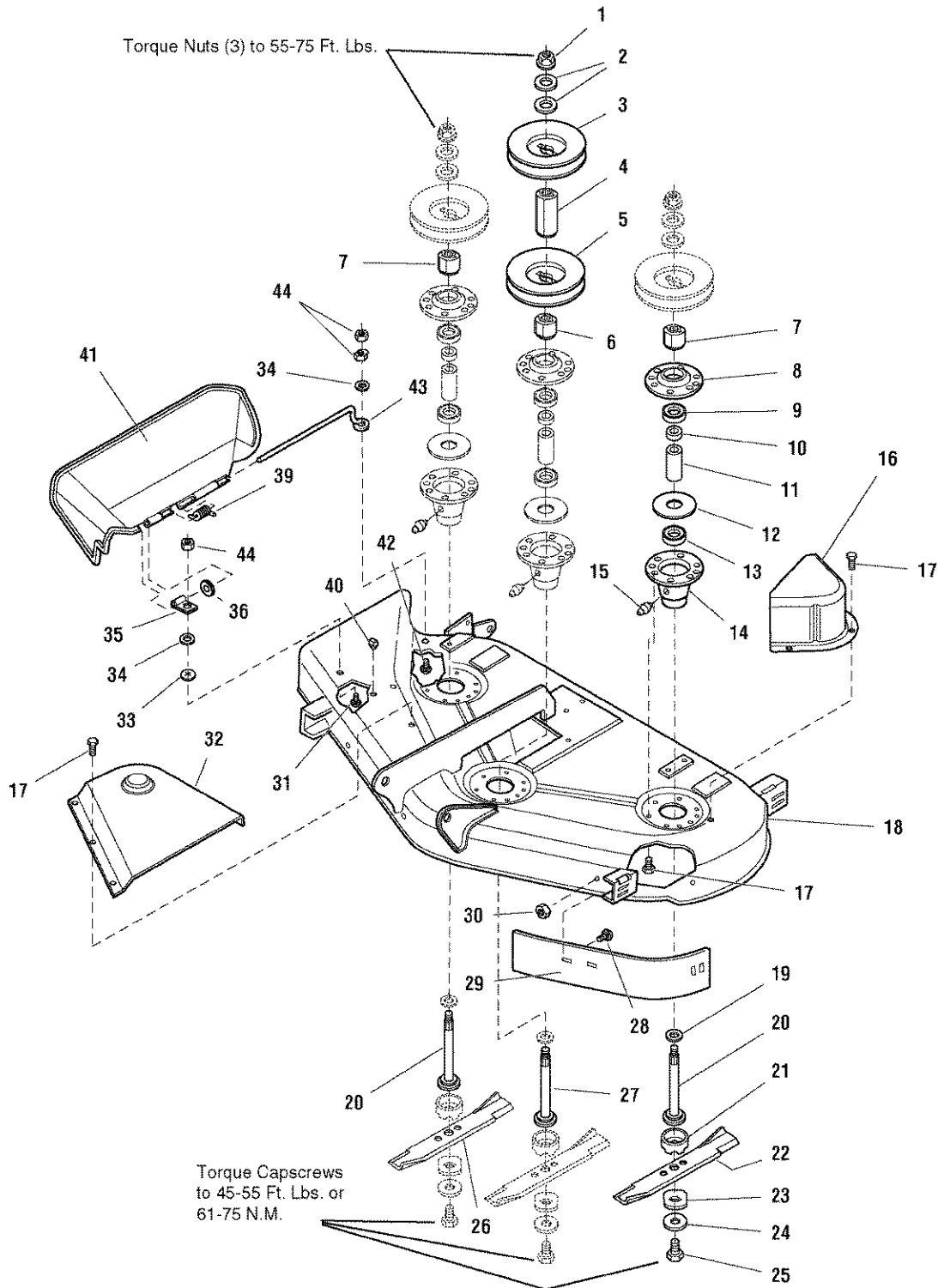
REF NO	PART NO.	QTY.	DESCRIPTION
1	1714419SM	3	NUT, Hex Flange Non-Locking, 9/16-18
2	1713675SM	6	WASHER, Belleville
3	1720387SM	1	PULLEY
4	1713158SM	1	HUB, Spacer, 2-13/32
5	1713098SM	3	PULLEY
6	1713533SM	1	HUB, 35/64
7	1713197SM	2	HUB, Serrated, 35/64
8	1655729ASM	3	HOUSING, Arbor Top
9	2108202SM	3	BEARING, Ball
10	1715724SM	3	SPACER, Bearing Sleeve
11	1732544SM	3	SPACER, Tube
12	1707335SM	3	GASKET, Foam
13	1705897SM	3	BEARING, Ball
14	1713338ASM	3	HOUSING ASSEMBLY, Arbor Bottom with Lube Fitting
15	1704314SM	3	FITTING, Lube, 1/4 Drive
16	1729666SM	1	COVER, Arbor
17	1664847SM	27	CAPSCREW, Hex, Washer Head, Taptite, 5/16-18 x 3/4, G5
18	1687118SM	1	HOUSING ASSEMBLY, 44" Mower Deck
18	1687037SM	1	HOUSING ASSEMBLY, 50" Mower Deck
19	1713619SM	3	WASHER, Cup
20	1713195SM	2	SHAFT, Arbor with Extruded Washers (short)
21	1713196SM	3	SHIELD, Grass, Lower Arbor
22	1727774ASM	2	BLADE, Mower 44", Center & L.H.
22	1726453ASM	2	BLADE, Mower 50", Center & L.H.
23	1713089SM	3	WASHER, Hex
24	1656916SM	3	WASHER, Spring, 3/8
25	2823471SM	3	CAPSCREW, Hex Head, 7/16-14 x 1-1/4, G8
26	1727775ASM	1	BLADE, Mower 44", R.H. (High Lift)
26	1726357ASM	1	BLADE, Mower 50", R.H. (High Lift)
27	1713612SM	1	SHAFT, Arbor with Extruded Washers (Long)
28	1931333SM	2	CARRIAGE BOLT, 5/16-18 x 3/4, G5
29	1724538ASM	1	BAFFLE, Blowout
30	1927557SM	2	NUT, Hex Flange Whiz Lock, 5/16-18
31	1931318SM	1	CARRIAGE BOLT, 1/4-20 x 7/8, G5
32	1703601SM	1	COVER, Arbor
33	1960518SM	2	NUT, Push
34	1960353SM	2	WASHER, 1/4
35	1704873SM	1	CLAMP, Wire
36	1919326SM	1	WASHER, 5/16
39	7101082SM	1	Spring, Torsion
40	1705115SM	1	PLUG, Button
41	1705449SM	1	DEFLECTOR, Discharge
42	1960633SM	1	CARRIAGE BOLT, 1/4-20 x 1-1/2
43	1706709SM	1	ROD, Deflector, Front

**Footnotes**

# 44" & 50" Mower Deck - Housing & Arbor Group

ZT 7000 - 107.27772 & 107.27774

NOTE: Unless noted otherwise,  
use the standard hardware torque  
specification chart.

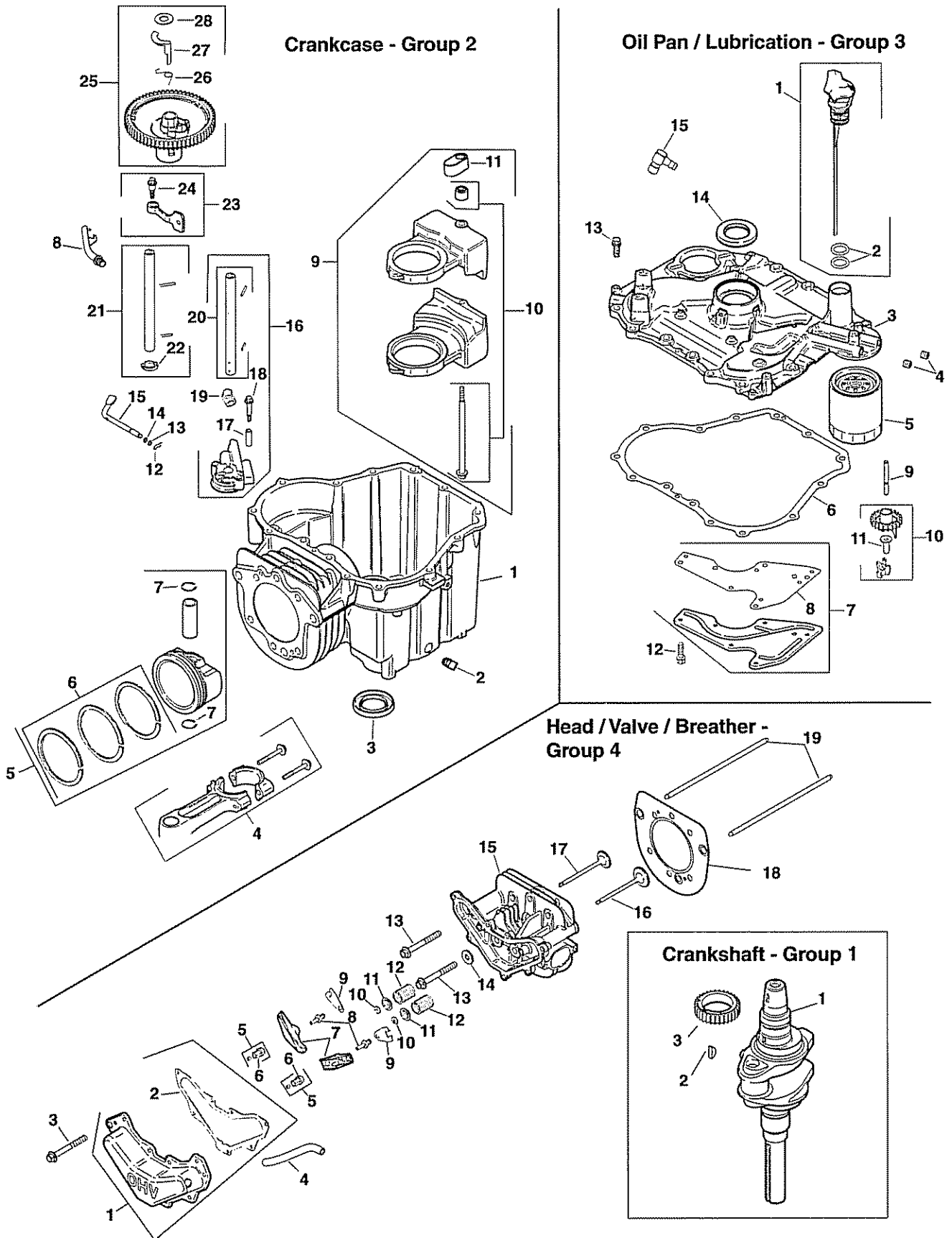


---

<b>REF NO</b>	<b>PART NO.</b>	<b>QTY.</b>	<b>DESCRIPTION</b>
44	1920397SM	3	NUT, 1/4-20 ESNA

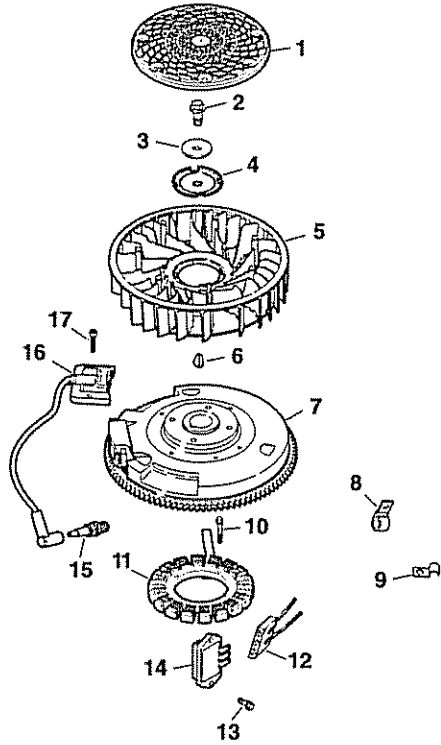
---

Footnotes

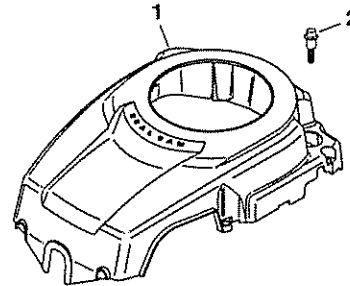


REF.	PART	DESCRIPTION	REF.	PART	DESCRIPTION
<b>SPECIAL PARTS</b>			<b>HEAD/VALVE/BREATHER - Group 4</b>		
	20 522 01	Short Block	1	20 096 07-S	Kit, valve cover (Includes 2)
	20 755 05-S	Gasket Set	2	20 041 13-S	Gasket, valve cover
<b>CRANKSHAFT - Group 1</b>			3	M-645020-S	Screw, hex. flange M6x1.0x20 (7)
1	20 014 14-S	Crankshaft (Includes 2)	4	20 326 01-S	Hose, breather
2	X-42-15-S	Key 3/16"	5	20 086 04-S	Screw, set (2)
3	20 043 12-S	Gear, crankshaft	6	20 599 01-S	Pivot, rocker arm (2)
<b>CRANKCASE - Group 2</b>			7	20 186 01-S	Arm, rocker (2)
1	Crankcase (USE: Short Block 20 522 01)		8	20 086 03-S	Stud, rocker (2)
2	25 139 57-S	Plug, sq. hd. pipe 3/8"	9	20 146 03-S	Plate, push rod guide (2)
3	20 032 01-S	Seal, oil	10	20 062 01-S	Lock, retainer (2)
4	20 067 04-S	Rod, connecting	11	20 173 01-S	Cap, valve spring (2)
5	20 874 01-S	Piston w/Ring Set (Includes 7,8)	12	20 089 03-S	Spring, valve (2)
6	20 108 01-S	Ring Set (94 mm)	13	20 086 02-S	Screw, hex. flange M10x1.5x37 (6)
7	20 018 04-S	Retainer, piston pin (2)	14	12 468 05-S	Washer, flat 1/2"
8	20 123 02-S	Tube, drainback	15	20 318 01-S	Head, cylinder
9	20 755 04-S	Kit, balance weight (Includes 10,11)	16	20 016 01-S	Valve, exhaust
10	20 086 16-S	Kit, screw/guide pin	17	20 017 01-S	Valve, intake
11	20 423 02-S	Shoe, guide	18	20 841 01-S	Kit, cylinder head gasket (94 mm)
12	12 154 05-S	Clip, hitch pin	19	20 411 04-S	Rod, push (2)
13	M-631015-S	Washer, plain			
14	X-25-102-S	Washer, plain			
15	20 144 02-S	Shaft, governor cross			
16	20 393 02-S	Pump assembly, oil (Includes 16-19)			
17	20 112 02-S	Spacer, oil pump screw (2)			
18	20 086 13-S	Screw, oil pump (2)			
19	20 032 07-S	Seal, oil pump outlet			
20	20 144 04-S	Shaft center, cam - Intake			
21	20 144 06-S	Shaft center, cam Exhaust (Includes 22)			
22	20 468 01-S	Washer, thrust			
23	20 090 01-S	Lever assembly, cam (2) (Includes 23)			
24	20 086 06-S	Screw, shoulder			
25	20 010 03-S	Gear assembly, cam (Includes 25-27)			
26	20 089 06-S	Spring, ACR			
27	20 044 16-S	Weight, ACR			
28	20 468 03-S	Washer, thrust - ACR			
<b>OIL PAN/LUBRICATION - Group 3</b>					
1	20 040 02-S	Kit, dipstick assembly (Includes 2)			
2	20 153 01-S	O-Ring, dipstick (2)			
3	20 009 03-S	Plate assembly, closure (Includes 4,10,11)			
4	25 139 60-S	Plug, pipe (2)			
5	52 050 02-S	Filter, oil			
6	20 041 01-S	Gasket, closure plate			
7	20 096 02-S	Kit, oil passage cover (Includes 8)			
8	20 041 02-S	Gasket, oil passage			
9	20 144 03-S	Shaft, governor gear			
10	20 310 03-S	Kit, gear & weight assembly (Includes 11)			
11	12 380 01-S	Pin, governor regulating			
12	M-545013-S	Screw, hex. flange M5x0.8x13 (6)			
13	M-851030-S	Screw, hex. flange M8x1.25x30 (14)			
14	20 032 01-S	Seal, oil			
15	25 155 02-S	Connector, 90°			

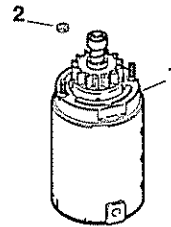
Ignition / Electrical - Group 5



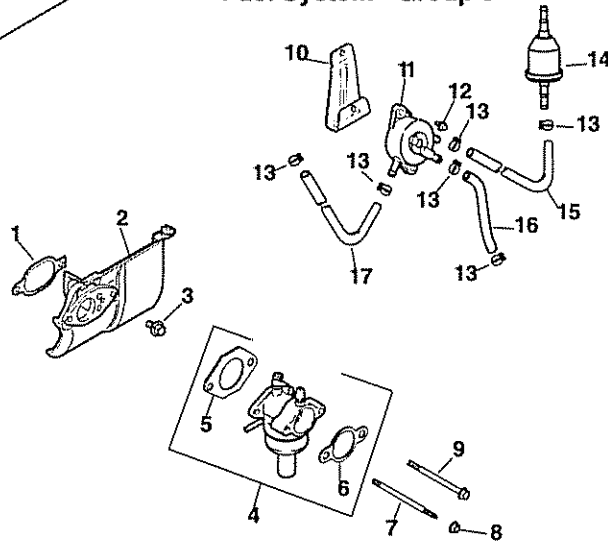
Blower Housing & Baffles - Group 6



Starting System - Group 7



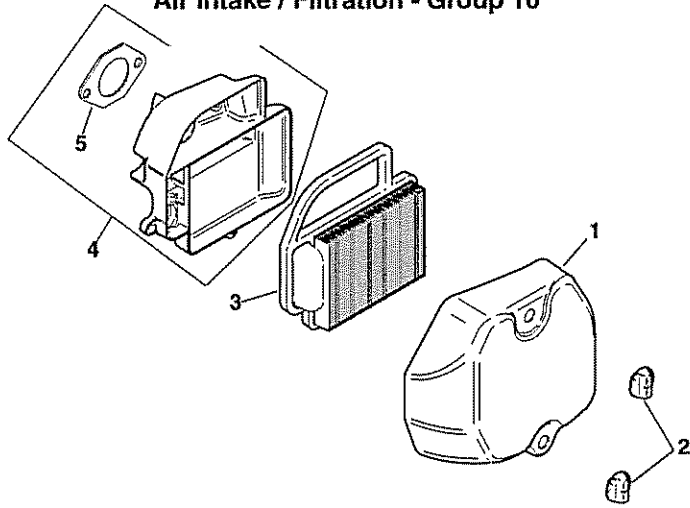
Fuel System - Group 8



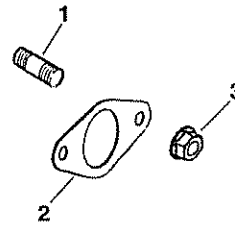


REF.	PART	DESCRIPTION	REF.	PART	DESCRIPTION
<b>IGNITION/ELECTRICAL - Group 5</b>					
1	20 162 02-S	Screen, grass			
2	12 086 14-S	Screw, hex. flange M10x1.5x46			
3	12 468 03-S	Washer, spring 3/16"			
4	20 146 02-S	Plate, fan mounting			
5	20 157 01-S	Fan			
6	X-42-15-S	Key, woodruff			
7	20 025 05-S	Flywheel			
8	20 154 02-S	Clip, wire			
9	231285-S	Clip, cable (2)			
10	20 086 17-S	Screw, hex. hd. M5x0.8x25 (2)			
11	237878-S	Kit, stator			
12	236602-S	Connector, body			
13	M-545020-S	Screw, hex. flange M5x0.8x20 (2)			
14	41 403 09-S	Rectifier-regulator			
15	12 132 02-S	Plug, spark			
16	20 584 01-S	Module, ignition			
17	M-561025-S	Screw, hex. flange M5x0.8x25 (2)			
NOT ILLUSTRATED					
	20 176 01-S	Harness, wiring			
<b>BLOWER HOUSING &amp; BAFFLES - Group 6</b>					
1	20 027 02-S	Housing, blower			
2	20 086 06-S	Screw, shoulder M5x0.8x36 (4)			
NOT ILLUSTRATED					
	20 113 14-S	Decal, 20 HP (SV600)			
	25 113 39-S	Decal, clear lamination			
<b>STARTING SYSTEM - Group 7</b>					
1	20 098 01-S	Starter assembly, inertia drive			
2	25 100 31-S	Nut, hex. serrated flange (2)			
<b>FUEL SYSTEM - Group 8</b>					
1	20 041 07-S	Gasket, heat deflector			
2	20 265 01-S	Deflector, heat			
3	M-651020-S	Screw, hex. flange M6x1.0x20			
4	20 853 14-S	Carburetor w/gaskets (Includes 5,6)			
5	12 041 01-S	Gasket, carburetor			
6	12 041 02-S	Gasket, air cleaner			
7	20 072 03-S	Stud, carburetor mounting			
8	M-641060-S	Nut, hex. flange M6x1.0 (2)			
9	20 086 11-S	Screw, carb S60x1.42x85			
10	20 126 02-S	Bracket, fuel pump mounting			
11	24 393 16-S	Pump, fuel			
12	M-545010-S	Screw, hex. flange (2)			
13	25 237 14-S	Clamp, hose (6)			
14	25 050 22-S	Filter, fuel			
15	52 353 20-S	Line, fuel 10"			
16	24 353 03-S	Line, fuel 13-3/4"			
17	20 353 01-S	Line, fuel 15-3/4"			
NOT ILLUSTRATED					
	M-645016-S	Screw, hex. flange (2)			
	X-22-11-S	Washer, lock 1/4" (ground)			
	20 431 01-S	Sleeve, fuel line			
	12 757 02-S	Kit, float			
	12 757 03-S	Kit, carburetor repair			
	12 757 33-S	Kit, solenoid repair			
	12 757 37-S	Kit, bowl replacement w/gaskets			

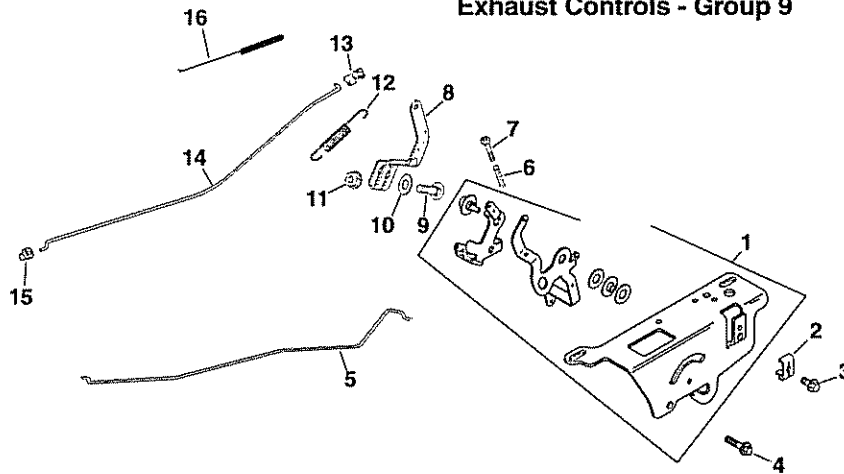
**Air Intake / Filtration - Group 10**



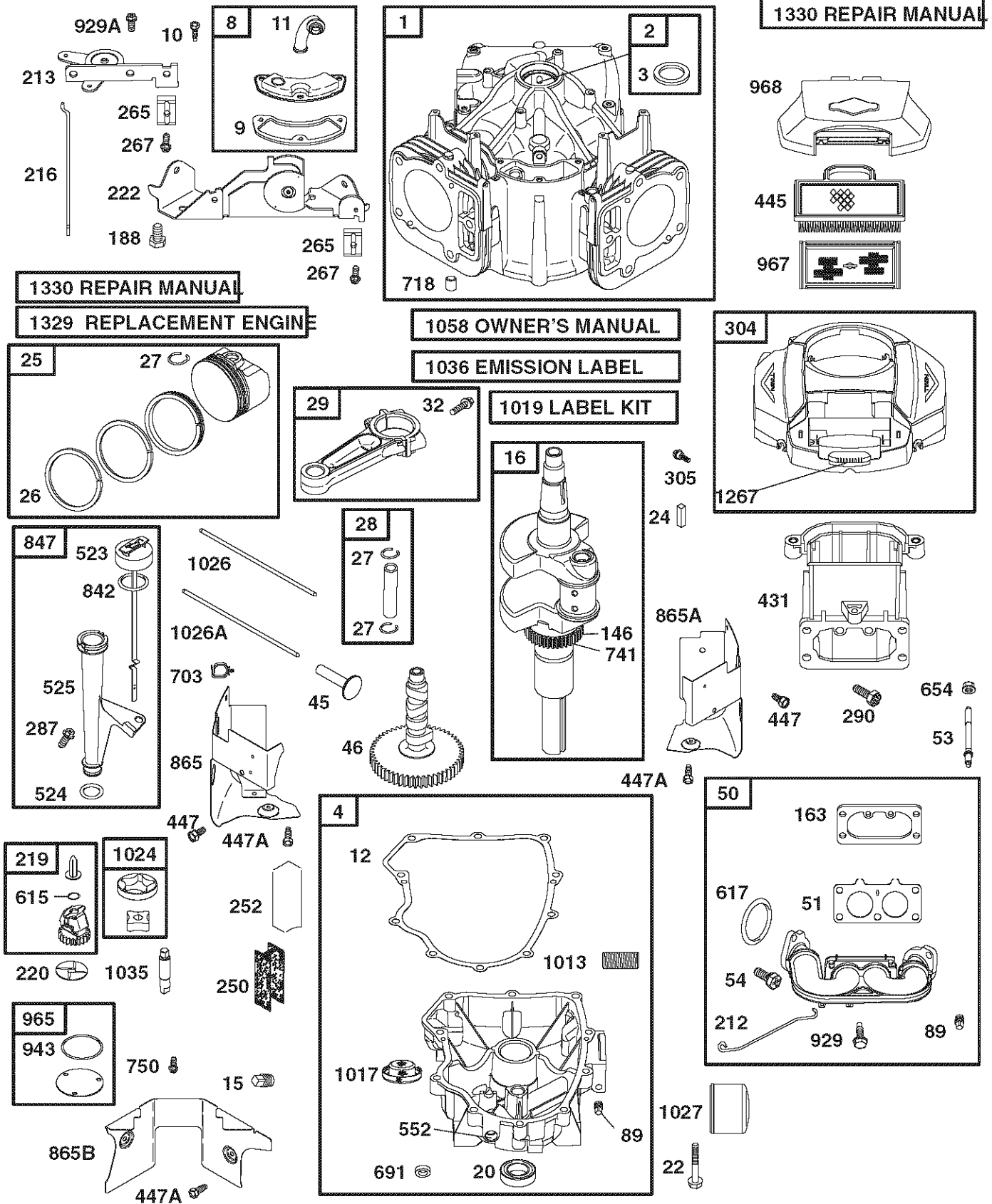
**Exhaust - Group 11**

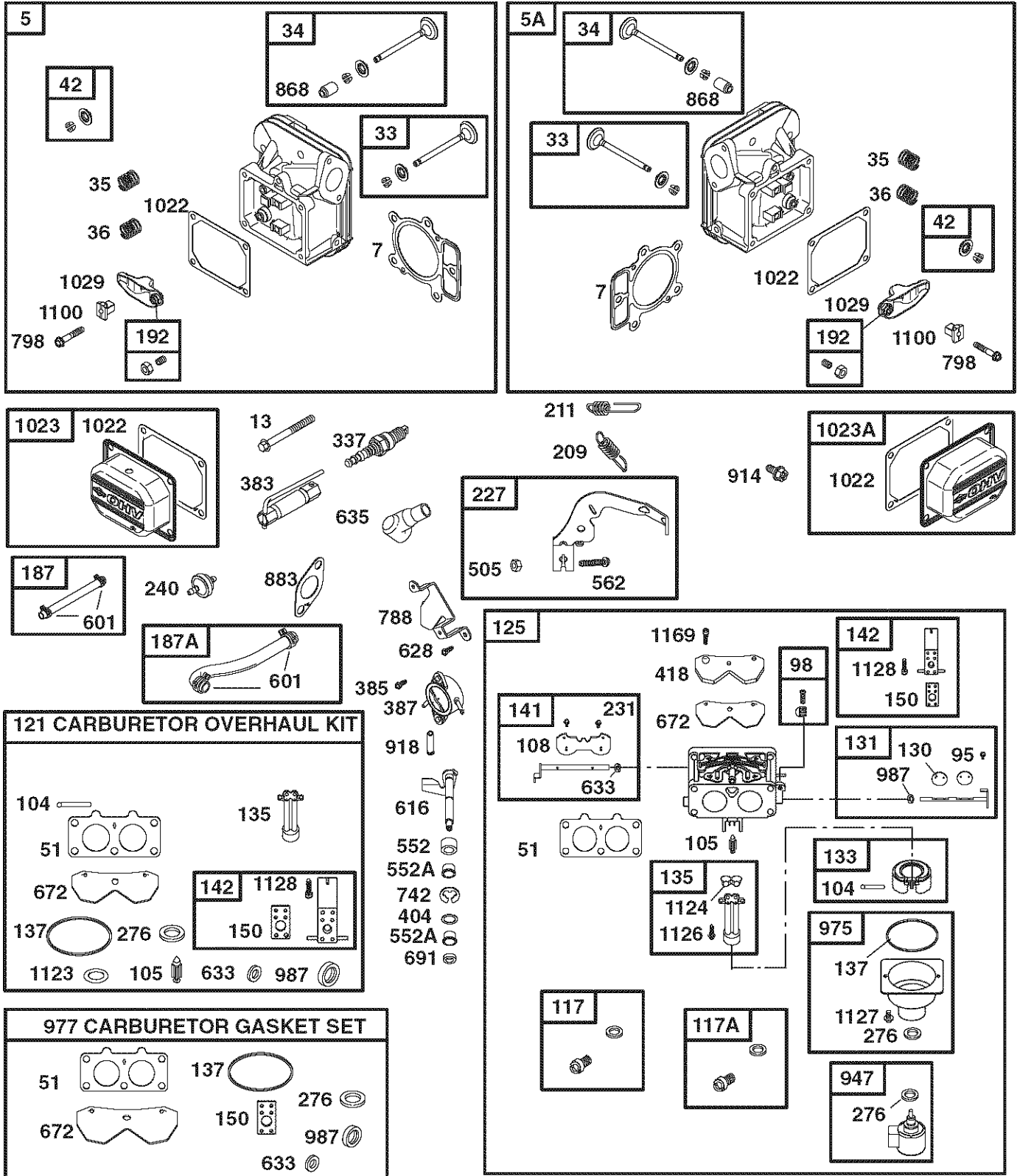


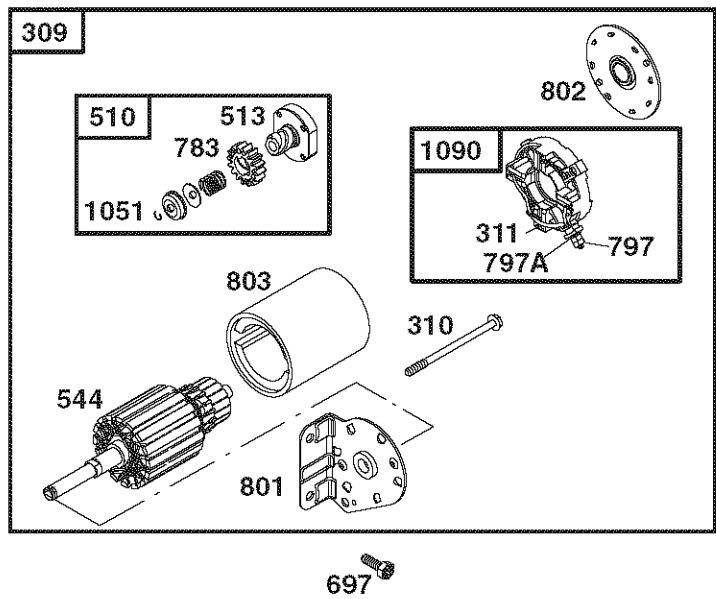
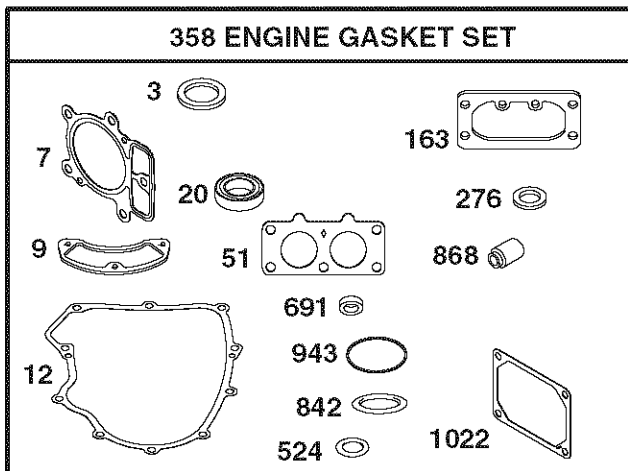
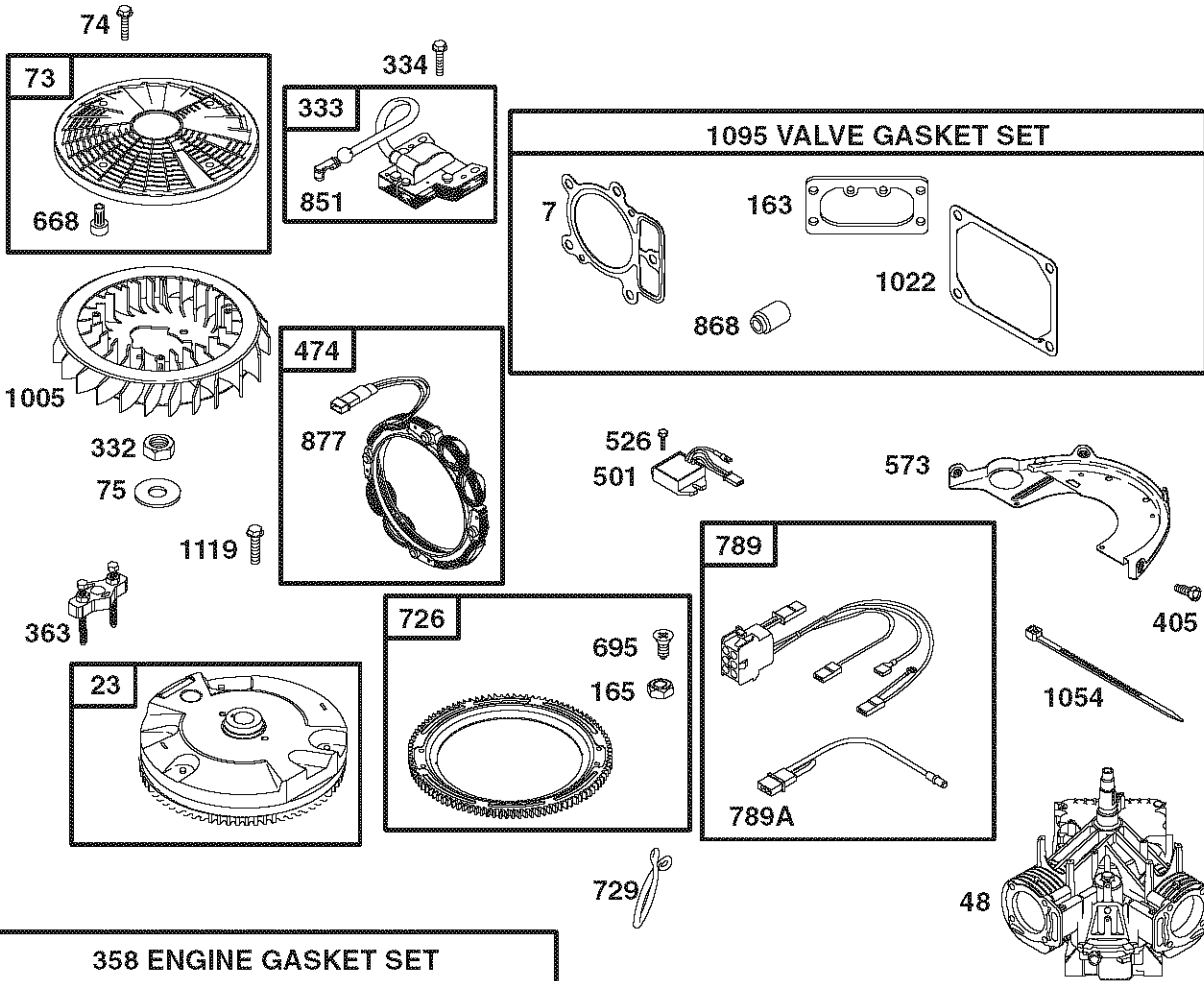
**Exhaust Controls - Group 9**



REF.	PART	DESCRIPTION	REF.	PART	DESCRIPTION
<b>ENGINE CONTROLS - Group 9</b>					
1	20 536 03-S	Control assembly, speed			
2	12 237 01-S	Clamp, cable			
3	24 086 43-S	Screw, torx hd. ctsk. M5x0.8x16			
4	M-664020-S	Screw, lobed sckt. M6x1.0x20 (2)			
5	20 079 05-S	Linkage, choke – single wire			
6	12 089 11-S	Spring, speed control (2)			
7	20 086 10-S	Screw, thread forming M4x0.7x25			
8	20 090 02-S	Lever, governor			
9	52 211 04-S	Bolt, round head 1/4-20x1"			
10	X-22-11-S	Washer, lock 1/4"			
11	12 100 07-S	Nut, hex. flange 1/4-20"			
12	20 089 07-S	Spring, governor			
13	25 158 11-S	Bushing, throttle linkage			
14	20 079 04-S	Linkage, throttle			
15	25 158 08-S	Bushing, linkage retaining			
16	20 089 10-S	Spring, linkage			
<b>AIR INTAKE/FILTRATION - Group 10</b>					
1	20 096 04-S	Cover, air cleaner			
2	25 341 04-S	Knob, cover (2)			
3	20 083 02-S	Element, air cleaner			
4	20 094 01-S	Kit, air cleaner base (Includes 6)			
5	12 041 02-S	Gasket, air cleaner base			
<b>EXHAUST - Group 11</b>					
1	25 072 04-S	Stud, exhaust (2)			
2	20 041 12-S	Gasket, exhaust			
3	M-841080-S	Nut, hex. flange (2)			







REF.	PART	NOTES	DESCRIPTION	REF.	PART	NOTES	DESCRIPTION
1	699742		Cylinder Assembly	165	693148		Nut (Ring Gear)
2	499585		Kit-Bushing/Seal (Magneto Side)	187	698742		Line-Fuel (Cut to Required Length)
3	391086	*	Seal-Oil (Magneto Side)	187A	699883		Line-Fuel (Molded)
4	699747		Sump-Engine	188	691108		Screw (Control Bracket)
5	697580		Head-Cylinder (Cylinder 1)	192	690083		Adjuster-Rocker Arm
5A	697581		Head-Cylinder (Cylinder 2)	209	698071		Spring-Governor
7	690962	*†	Gasket-Cylinder Head	211	691019		Spring-Governed Idle
8	499601		Breather Assembly	212	695238		Link-Throttle
9	690937	*	Gasket-Breather	213	691021		Bracket-Choke Control
10	691108		Screw (Breather Assembly)	216	691022		Link-Choke
11	690942		Tube-Breather	219	698231		Gear-Governor
12	697227	*	Gasket-Crankcase	220	690412		Washer (Governor Lever)
13	791130		Screw (Cylinder Head)	222	698761		Bracket-Control
15	690946		Plug-Oil Drain	227	691048		Lever-Governor Control
16	699700		Crankshaft	231	690718		Screw (Choke Valve)
20	690947	*	Seal-Oil (PTO Side)	240	695666		Filter-Fuel
22	694966		Screw (Engine Sump)	250	690957		Retainer-Breather
23	691053		Flywheel	252	690956		Collector-Oil
24	222698		Key-Flywheel	265	691024		Clamp-Casing
25	698429		Piston Assembly (Standard)	267	691044		Screw (Casing Clamp)
25	698434		Piston Assembly (.020" Oversize)	276	690997	‡	Washer-Sealing
26	698430		Ring Set-Piston (Standard)	287	691108		Screw (Dipstick Tube)
26	698437		Ring Set-Piston (.020" Oversize)	290	690341		Screw (Intake Elbow)
27	690975		Lock-Piston Pin	304	698073		Housing-Blower
28	690229		Pin-Piston	305	691005		Screw (Blower Housing)
29	699699		Rod-Connecting	309	691262		Motor-Starter
32	699699		Screw (Connecting Rod)	310	691263		Bolt (Starter Motor)
33	697576		Valve-Exhaust	311	497608		Brush Set
34	499597		Valve-Intake	332	691059		Nut (Flywheel)
35	690963		Spring-Valve (Intake)	333	691060		Armature-Magneto
36	690963		Spring-Valve (Exhaust)	334	691061		Screw (Magneto Armature)
42	499586		Keeper-Valve	337	491055		Plug-Spark
45	690977		Tappet-Valve	358	694012		Set-Engine Gasket
46	790562		Camshaft	363	691062		Flywheel Puller
48	698177		Short Block	383	690966		Wrench-Spark Plug
50	695241		Manifold-Intake	385	691108		Screw (Fuel Pump)
51	690950	* ‡	Gasket-Intake	387	808656		Pump-Fuel
53	690951		Stud (Carburetor)	404	690442		Washer (Governor Crank)
54	699816		Screw (Intake Manifold)	405	697820		Screw (Back Plate)
73	494439		Screen-Rotating	418	690999		Plate-Carburetor
74	698425		Screw (Rotating Screen)	431	790816		Elbow-Intake
75	691056		Washer (Flywheel)	445	698754		Filter-Air Cleaner Cartridge
89	690283		Plug-Oil	447	691003		Screw (Air Guide Cover)
95	690718		Screw (Throttle Valve)	447A	691108		Screw (Air Guide Cover)
98	699721		Kit-Idle Speed	474	696458		Alternator
104	694918	†	Pin-Float Hinge	501	691185		Regulator
105	698537	†	Valve-Float Needle	505	691029		Nut (Governor Control Lever)
108	699723		Valve-Choke	510	497606		Drive-Starter
117	699436	†	Jet-Main (Standard)	513	692024		Clutch-Drive
117A	699437		Jet-Main (High Altitude)	523	691036		Dipstick
121	699734		Kit-Carburetor Overhaul	524	691032	*	Seal-Dipstick Tube
125	791230		Carburetor	525	691037		Tube-Dipstick
130	690993		Valve-Throttle	526	691108		Screw (Regulator)
131	499805		Kit-Throttle Shaft	544			Armature-Starter (Service with 691262 Starter Motor)
133	699724		Float-Carburetor	552	690552		Bushing-Governor Crank
135	699729	‡	Tube-Fuel Transfer	552A	690553		Bushing-Governor Crank
137	690994	‡	Gasket-Float Bowl	562	690311		Bolt (Governor Control Lever)
141	699722		Kit-Choke Shaft	573	691009		Plate-Back
142	699726	†	Nozzle-Carburetor	601	691038		Clamp-Hose
146	690979		Key-Timing	613	690341		Screw
150	690995	‡	Gasket-Nozzle	615	698290		Retainer-Governor Shaft
163	691001	*†	Gasket-Air Cleaner	616	691045		Crank-Governor

REF.	PART	NOTES	DESCRIPTION	REF.	PART	NOTES	DESCRIPTION
617	697891		Seal-O Ring (Intake Manifold)	1051	691265		Ring-Retaining
628	691108		Screw (Fuel Pump Bracket)	1054	280275		Cable-Tie
633	690998	†‡	Seal-Choke/Throttle Shaft	1058	275475		Owner's Manual
635	66538		Boot-Spark Plug	1090	691293		Retainer-Brush
654	690958		Nut (Carburetor)	1095	694013		Gasket Set-Valve
668	691215		Spacer	1100	690973		Pivot-Rocker Arm
672	690234	†‡	Gasket-Carburetor Plate	1119	691183		Screw (Alternator)
691	690657	*	Seal-Governor Shaft	1124	690988	‡	Seal-O Ring (Fuel Transfer Tube)
695	693149		Screw (Ring Gear)	1126	690991		Screw (Fuel Transfer Tube)
697	690372		Screw (Drive Cap)	1127	695407		Screw (Float Bowl)
703	691010		Clip	1128	690990		Screw (Carburetor Nozzle)
718	690959		Pin-Locating	1169	690990		Screw (Carburetor Cover Plate)
726	499612		Gear-Ring	1267	698440		Latch-Blower Housing
729	694123		Clip-Wire	1329	40H777-0027		Replacement Engine (If the original engine is equipped with a 6 pin transfer to the original engine)
741	690980		Gear-Timing	1330	273521		Repair Manual
742	690328		Retainer-E Ring				
750	696999		Screw (Oil Pump Cover)				
783	693058		Gear-Pinion				
788	691039		Bracket-Fuel Pump				
789	698330		Harness-Wiring				
789A	790544		Harness-Wiring				
797	691029		Nut (Brush Retainer)				
797A	693167		Nut (Brush Retainer)				
798	697890		Screw (Rocker Arm)				
801	691283		Cap-Drive				
802	691286		Cap-End				
803			Housing-Starter (Service with 691262 Starter Motor)				
842	691031	*	Seal-Dipstick/Tube				
847	499602		Dipstick/Tube Assembly				
851	493880		Terminal-Spark Plug				
855	698072		Adapter-Air				
865	691012		Cover-Air Guide				
865A	691014		Cover-Air Guide				
865B	691015		Cover-Air Guide				
868	690968	*†	Seal-Valve				
877	399916		Wire/Connector- Alternator				
883	690970		Gasket-Exhaust				
914	691127		Screw (Rocker Cover)				
918	694000		Hose-Vacuum				
929	695239		Screw (Choke Control Bracket)				
929A	691003		Screw (Choke Control Bracket)				
943	690589	*	Seal-O Ring (Oil Pump Cover)				
947	841546		Solenoid-Fuel				
965	499613		Cover-Oil Pump				
967	273638		Filter-Pre Cleaner				
968	698075		Cover-Air Cleaner				
975	499810		Bowl-Float				
977	499812		Gasket Set-Carburetor				
987	691000	†‡	Seal-Throttle Shaft				
1005	698760		Fan-Flywheel				
1013	690954		Nipple-Oil Filter				
1017	690770		Screen-Oil Pump				
1019	690103		Kit-Label				
1022	690971	*†	Gasket-Rocker Cover				
1023	499599		Cover-Rocker (Cylinder 1)				
1023A	499600		Cover-Rocker (Cylinder 2)				
1024	499054		Pump-Oil				
1026	690981		Rod-Push (Steel)				
1026A	690982		Rod-Push (Aluminum)				
1027	696854		Filter-Oil				
1029	690972		Arm-Rocker				
1035	691042		Shaft-Pump				
1036	790626		Label-Emission				

\* Included in Engine Gasket Set, Key. No. 358

† Included in Carburetor Overhaul Kit, Key. No. 121

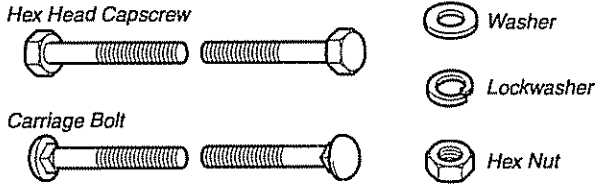
‡ Included in Carburetor Gasket Set, Key. No. 977

†‡ Included in Valve Gasket Set, Key. No. 1095



# Hardware Identification & Torque Specifications

## Common Hardware Types

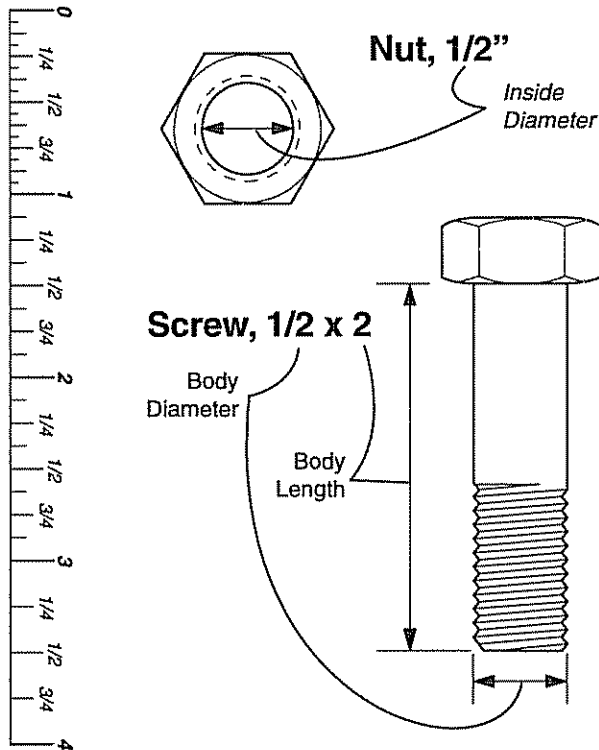


## Standard Hardware Sizing

When a washer or nut is identified as 1/2", this is the *Nominal size*, meaning the *inside diameter* is 1/2 inch; if a second number is present it represent the *threads per inch*

When bolt or capscrew is identified as 1/2 - 16 x 2", this means the *Nominal size*, or *body diameter* is 1/2 inch; the second number represents the *threads per inch* (16 in this example, and the final number is the *body length* of the bolt or screw (in this example 2 inches long).

*The guides and ruler furnished below are designed to help you select the appropriate hardware and tools.*

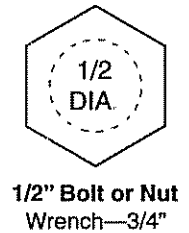
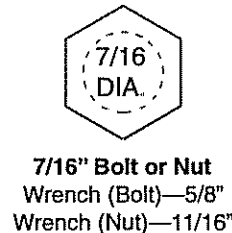
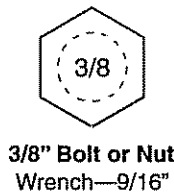
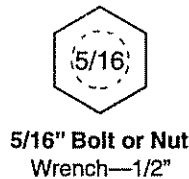
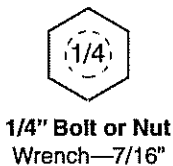


Torque Specification Chart						
FOR STANDARD MACHINE HARDWARE (Tolerance ± 20%)						
Hardware Grade	No Marks SAE Grade 2		SAE Grade 5		SAE Grade 8	
	in/lbs ft/lbs	Nm.	in/lbs ft/lbs	Nm.	in/lbs ft/lbs	Nm.
8-32	19	2.1	30	3.4	41	4.6
8-36	20	2.3	31	3.5	43	4.9
10-24	27	3.1	43	4.9	60	6.8
10-32	31	3.5	49	5.5	68	7.7
1/4-20	66	7.6	8	10.9	12	16.3
1/4-28	76	8.6	10	13.6	14	19.0
5/16-18	11	15.0	17	23.1	25	34.0
5/16-24	12	16.3	19	25.8	27	34.0
3/8-16	20	27.2	30	40.8	45	61.2
3/8-24	23	31.3	35	47.6	50	68.0
7/16-14	30	40.8	50	68.0	70	95.2
7/16-20	35	47.6	55	74.8	80	108.8
1/2-13	50	68.0	75	102.0	110	149.6
1/2-20	55	74.8	90	122.4	120	163.2
9/16-12	65	88.4	110	149.6	150	204.0
9/16-18	75	102.0	120	163.2	170	231.2
5/8-11	90	122.4	150	204.0	220	299.2
5/8-18	100	136	180	244.8	240	326.4
3/4-10	160	217.6	260	353.6	386	525.0
3/4-16	180	244.8	300	408.0	420	571.2
7/8-9	140	190.4	400	544.0	600	816.0
7/8-14	155	210.8	440	598.4	660	897.6
1-8	220	299.2	580	788.8	900	1,244.0
1-12	240	326.4	640	870.4	1,000	1,360.0

### NOTES

- These torque values are to be used for all hardware excluding: locknuts, self-tapping screws, thread forming screws, sheet metal screws and socket head setscrews
- Recommended seating torque values for locknuts:
  - for prevailing torque locknuts - use 65% of grade 5 torques.
  - for flange whizlock nuts and screws - use 135% of grade 5 torques.
- Unless otherwise noted on assembly drawings, all torque values must meet this specification.

## Wrench & Fastener Size Guide





## Repair Protection Agreements

*Congratulations on making a smart purchase. Your new Craftsman® product is designed and manufactured for years of dependable operation. But like all products, it may require repair from time to time. That's when having a Repair Protection Agreement can save you money and aggravation.*

*Purchase a Repair Protection Agreement now and protect yourself from unexpected hassle and expense.*

Here's what's included in the Agreement:

- ☑ **Expert service** by our 12,000 professional repair specialists
- ☑ **Unlimited service and no charge** for parts and labor on all covered repairs
- ☑ **Product replacement** if your covered product can't be fixed
- ☑ **Discount of 10%** from regular price of service and service-related parts not covered by the agreement; also, 10% off regular price of preventive maintenance check
- ☑ **Fast help by phone** – phone support from a Sears technician on products requiring in-home repair, plus convenient repair scheduling.

Once you purchase the Agreement, a simple phone call is all that it takes for you to schedule service. You can call anytime day or night, or schedule a service appointment online.

Sears has over 12,000 professional repair specialists, who have access to over 4.5 million quality parts and accessories. That's the kind of professionalism you can count on to help prolong the life of your new purchase for years to come. Purchase your Repair Protection Agreement today!

**Some limitations and exclusions apply. For prices and additional information call 1-800-827-6655.**

### Sears Installation Service

For Sears professional installation of home appliances, garage door openers, water heaters, and other major home items, in the U.S.A. call **1-800-4-MY-HOME®**

## Acuerdo de Protección de Reparaciones

*Felicidades por su compra inteligente. Su nuevo producto de Craftsman® fue diseñado y fabricado para años de operación confiable. Pero como todos los productos, es posible que cada cierto tiempo requiera de reparaciones. Ahí es donde tener un Acuerdo de Protección de Reparaciones puede ahorrarle dinero y contrariedades.*

*Compre un Acuerdo de Protección de Reparaciones ahora y protéjase usted mismo de molestias y gastos inesperados.*

Aquí está lo que incluye el Acuerdo:

- ☑ **Servicio experto** de nuestros 12,000 especialistas profesionales en reparación
- ☑ **Servicio ilimitado y sin cargo** por las partes y la mano de obra en todas las reparaciones cubiertas
- ☑ **Reemplazo del producto** si su producto cubierto no puede ser arreglado
- ☑ **Descuento del 10%** del precio regular de servicio y partes relacionadas con el servicio no cubierto por el acuerdo; además, de un 10% de descuento del precio regular por revisiones de mantenimiento preventivo
- ☑ **Ayuda rápida por teléfono** – soporte telefónico de técnicos de Sears sobre productos que requieren reparaciones a domicilio, además de programación conveniente de reparación.

Una vez que compre el Acuerdo, una simple llamada telefónica es lo único que se necesita para que le programen el servicio. Usted puede llamar a cualquier hora del día o de la noche, o programar una cita de servicio por Internet.

Sears cuenta con más de 12,000 especialistas profesionales en reparación, que tienen acceso a más de 4.5 millones partes y accesorios de calidad. Ese es el tipo de profesionalismo con el que usted puede contar para ayudarlo a prolongar la vida de su nueva compra por muchos años venideros. ¡Compre su Acuerdo de Protección de Reparaciones hoy!

**Aplican algunas limitantes y exclusiones. Para obtener información sobre el precio e información adicional llame al 1-800-827-6655.**

### Servicio de Instalación de Sears

Para obtener información sobre la instalación profesional de Sears para electrodomésticos, abridores para cocheras, calentadores de agua y otros artículos grandes, en los Estados Unidos llame a **1-800-4-MY-HOME®**

# Get it fixed, at your home or ours!

## Your Home

For repair – **in your home** – of **all** major brand appliances, lawn and garden equipment, or heating and cooling systems, **no matter who made it, no matter who sold it!**

For the replacement parts, accessories and owner's manuals that you need to do-it-yourself.

For Sears professional installation of home appliances and items like garage door openers and water heaters.

**1-800-4-MY-HOME® (1-800-469-4663)**

Call anytime, day or night (U.S.A. and Canada)

[www.sears.com](http://www.sears.com)    [www.sears.ca](http://www.sears.ca)

## Our Home

For repair of carry-in items like vacuums, lawn equipment, and electronics, call or go on-line for the location of your nearest **Sears Parts & Repair Center.**

**1-800-488-1222**

Call anytime, day or night (U.S.A. only)

[www.sears.com](http://www.sears.com)

To purchase a protection agreement (U.S.A.) or maintenance agreement (Canada) on a product serviced by Sears:

**1-800-827-6655** (U.S.A.)

**1-800-361-6665** (Canada)

Para pedir servicio de reparación a domicilio, y para ordenar piezas:

**1-888-SU-HOGAR<sup>SM</sup>**

(1-888-784-6427)

Au Canada pour service en français:

**1-800-LE-FOYER<sup>MC</sup>**

(1-800-533-6937)

[www.sears.ca](http://www.sears.ca)

The Sears logo is displayed in a stylized, bold, serif font. The word "Sears" is written in a dark color, with a light-colored underline beneath the letters. The logo is centered at the bottom of the advertisement.

® Registered Trademark / <sup>TM</sup> Trademark / <sup>SM</sup> Service Mark of Sears, Roebuck and Co.

® Marca Registrada / <sup>TM</sup> Marca de Fábrica / <sup>SM</sup> Marca de Servicio de Sears, Roebuck and Co.

<sup>MC</sup> Marque de commerce / <sup>MD</sup> Marque déposée de Sears, Roebuck and Co.

©

Sears, Roebuck and Co.