

**KitchenAid®**

---

**30" (76.2 CM) AND 36" (91.4 CM)  
SLIDE-OUT RANGE HOOD**

Installation Instructions and Use & Care Guide

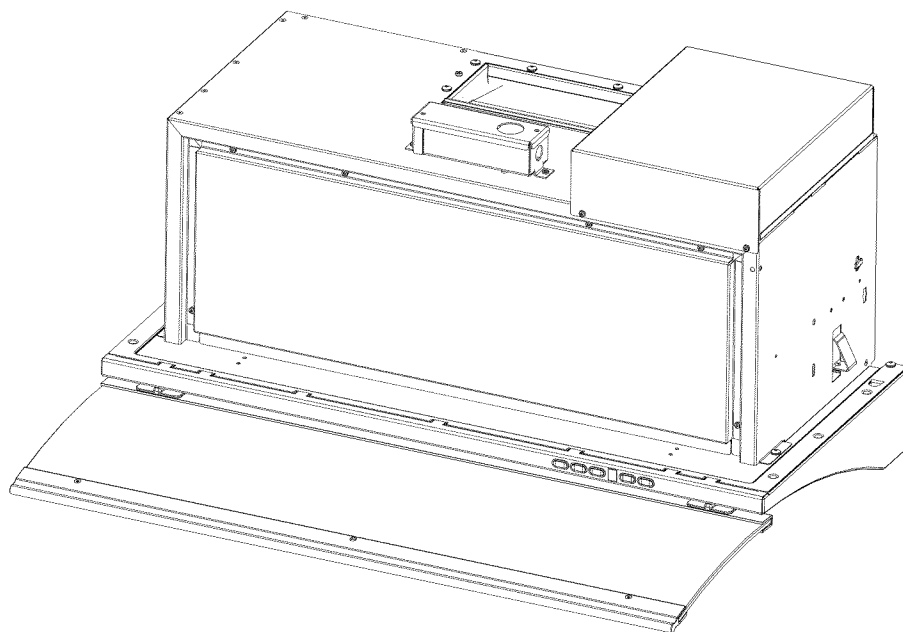
---

**HOTTE D'ASPIRATION AVEC MODULE DE  
COMMANDE EXTRACTIBLE DE 30" (76,2 CM)  
ET 36" (91,4 CM)**

Instructions d'installation et Guide d'utilisation et d'entretien

---

Table of Contents/Table des matières..... 2



**IMPORTANT: READ AND SAVE THESE INSTRUCTIONS.  
FOR RESIDENTIAL USE ONLY.**

**IMPORTANT : LIRE ET CONSERVER CES INSTRUCTIONS.  
POUR UTILISATION RÉSIDENIELLE UNIQUEMENT.**

# TABLE OF CONTENTS

<b>RANGE HOOD SAFETY</b> .....	<b>2</b>
<b>INSTALLATION REQUIREMENTS</b> .....	<b>4</b>
Tools and Parts .....	4
Location Requirements .....	4
Venting Requirements .....	5
Electrical Requirements .....	7
<b>INSTALLATION INSTRUCTIONS</b> .....	<b>7</b>
Prepare Location .....	7
Install Range Hood .....	9
Electrical Connection .....	11
Connect the Vent System .....	11
<b>RANGE HOOD USE</b> .....	<b>12</b>
Controls .....	12
Display .....	12
<b>RANGE HOOD CARE</b> .....	<b>13</b>
Cleaning .....	13
Replacing the Halogen Bulb .....	13
<b>WIRING DIAGRAM</b> .....	<b>14</b>
<b>ASSISTANCE OR SERVICE</b> .....	<b>15</b>
In the U.S.A. ....	15
In Canada .....	15
Accessories .....	15
<b>WARRANTY</b> .....	<b>16</b>

# TABLE DES MATIÈRES

<b>SÉCURITÉ DE LA HOTTE D'ASPIRATION</b> .....	<b>17</b>
<b>EXIGENCES D'INSTALLATION</b> .....	<b>19</b>
Outils et pièces .....	19
Exigences d'emplacement .....	19
Exigences concernant l'évacuation .....	20
Spécifications électriques .....	22
<b>INSTRUCTIONS D'INSTALLATION</b> .....	<b>23</b>
Préparation de l'emplacement .....	23
Installation de la hotte .....	25
Raccordement électrique .....	26
Raccordement du circuit d'évacuation .....	27
<b>UTILISATION DE LA HOTTE</b> .....	<b>28</b>
Dispositifs de commande .....	28
Affichage .....	28
<b>ENTRETIEN DE LA HOTTE</b> .....	<b>29</b>
Nettoyage .....	29
Remplacement de l'ampoule à halogène .....	29
<b>SCHÉMAS DE CÂBLAGE</b> .....	<b>30</b>
<b>ASSISTANCE OU SERVICE</b> .....	<b>31</b>
Au Canada .....	31
Accessoires .....	31
<b>GARANTIE</b> .....	<b>32</b>

## RANGE HOOD SAFETY

### Your safety and the safety of others are very important.

We have provided many important safety messages in this manual and on your appliance. Always read and obey all safety messages.



This is the safety alert symbol.

This symbol alerts you to potential hazards that can kill or hurt you and others.

All safety messages will follow the safety alert symbol and either the word "DANGER" or "WARNING."

These words mean:

**⚠ DANGER**

You can be killed or seriously injured if you don't immediately follow instructions.

**⚠ WARNING**

You can be killed or seriously injured if you don't follow instructions.

All safety messages will tell you what the potential hazard is, tell you how to reduce the chance of injury, and tell you what can happen if the instructions are not followed.

# IMPORTANT SAFETY INSTRUCTIONS

**WARNING:** TO REDUCE THE RISK OF FIRE, ELECTRIC SHOCK, OR INJURY TO PERSONS, OBSERVE THE FOLLOWING:

- Use this unit only in the manner intended by the manufacturer. If you have questions, contact the manufacturer.
- Before servicing or cleaning the unit, switch power off at service panel and lock the service disconnecting means to prevent power from being switched on accidentally. When the service disconnecting means cannot be locked, securely fasten a prominent warning device, such as a tag, to the service panel.
- Installation work and electrical wiring must be done by qualified person(s) in accordance with all applicable codes and standards, including fire-rated construction.
- Do not operate any fan with a damaged cord or plug. Discard fan or return to an authorized service facility for examination and/or repair.
- Sufficient air is needed for proper combustion and exhausting of gases through the flue (chimney) of fuel burning equipment to prevent backdrafting. Follow the heating equipment manufacturer's guideline and safety standards such as those published by the National Fire Protection Association (NFPA), the American Society for Heating, Refrigeration and Air Conditioning Engineers (ASHRAE), and the local code authorities.
- When cutting or drilling into wall or ceiling; do not damage electrical wiring and other utilities.
- Ducted fans must always be vented outdoors.

**CAUTION:** For general ventilating use only. Do not use to exhaust hazardous or explosive materials and vapors.

**CAUTION:** To reduce risk of fire and to properly exhaust air, be sure to duct air outside - do not vent exhaust air into spaces within walls or ceilings, attics or into crawl spaces, or garages.

**WARNING:** TO REDUCE THE RISK OF FIRE, USE ONLY METAL DUCTWORK.

**WARNING:** TO REDUCE THE RISK OF A RANGE TOP GREASE FIRE:

- Never leave surface units unattended at high settings. Boilovers cause smoking and greasy spillovers that may ignite. Heat oils slowly on low or medium settings.
- Always turn hood ON when cooking at high heat or when flambeing food (i.e. Crepes Suzette, Cherries Jubilee, Peppercorn Beef Flambé).
- Clean ventilating fans frequently. Grease should not be allowed to accumulate on fan or filter.
- Use proper pan size. Always use cookware appropriate for the size of the surface element.

**WARNING:** TO REDUCE THE RISK OF INJURY TO PERSONS IN THE EVENT OF A RANGE TOP GREASE FIRE, OBSERVE THE FOLLOWING:<sup>a</sup>

- **SMOTHER FLAMES** with a close fitting lid, cookie sheet, or metal tray, then turn off the burner. **BE CAREFUL TO PREVENT BURNS.** If the flames do not go out immediately, **EVACUATE AND CALL THE FIRE DEPARTMENT.**
- **NEVER PICK UP A FLAMING PAN** - you may be burned.
- **DO NOT USE WATER**, including wet dishcloths or towels - a violent steam explosion will result.
- Use an extinguisher **ONLY** if:
  - You know you have a class ABC extinguisher, and you already know how to operate it.
  - The fire is small and contained in the area where it started.
  - The fire department is being called.
  - You can fight the fire with your back to an exit.

<sup>a</sup>Based on "Kitchen Fire Safety Tips" published by NFPA.

- **WARNING:** To reduce the risk of fire or electrical shock, do not use this fan with any solid-state speed control device.

## READ AND SAVE THESE INSTRUCTIONS

---

# INSTALLATION REQUIREMENTS

---

## Tools and Parts

Gather the required tools and parts before starting installation. Read and follow the instructions provided with any tools listed here.

### Tools needed

- Level
- Drill
- 1/8" (3 mm) drill bit
- 3/4" (19 mm) drill bit
- Pencil
- Pliers
- Wire stripper or utility knife
- Tape measure or ruler
- Caulking gun and weatherproof caulking compound
- Phillips screwdriver
- Flat-blade screwdriver
- T-10 TORX<sup>†</sup> driver
- Saber or keyhole saw
- Vent clamps
- Metal snips

### Parts needed

- Home power supply cable
- Two 1/2" (1.3 cm) UL listed or CSA approved strain reliefs
- 3 UL listed wire connectors

### For vented installations, you will also need:

- 1 wall or roof cap
- Metal vent system

### For non-vented (recirculating) installations, you will also need:

- Recirculation Kit Part Number W10356918. See the "Assistance or Service" section to order.

### Optional parts needed:

- Wood filler strips for cabinets with recessed bottoms. Length and thickness determined by recess dimensions. See the "Prepare Location" section.
- Two, 1" x 1" x 5" (25 x 25 x 12.7 cm) wood pieces for cabinet floor. See the "Prepare Location" section.
- Four, 1 1/4" (3.2 cm) wood screws

### Parts supplied

Remove parts from packages. Check that all parts are included.

- Damper: Part Number W10369162
- Hardware package: Part Number W10369160. Includes:
  - Installation Instructions and Use and Care Guide
  - 2 lower leveling brackets
  - 2 upper leveling brackets
  - 2 - 2.5 x 9.5 mm metal screws
  - 4 - 4.5 x 16 mm wood screws
  - 4 - 5 x 18 mm machine screws
  - 4 - 3.5 x 9.5 mm metal screws

## Location Requirements

**IMPORTANT:** Observe all governing codes and ordinances.

Have a qualified technician install the range hood. It is the installer's responsibility to comply with installation clearances specified on the model/serial rating plate. The model/serial rating plate is located behind the filter on the left rear wall of the range hood.

Range hood location should be away from strong draft areas, such as windows, doors, and strong heating vents.

Cabinet opening dimensions that are shown must be used. Given dimensions provide minimum clearance. Consult your cooktop/range manufacturer installation instructions before making any cutouts.

Grounded electrical outlet is required. See "Electrical Requirements" section.

The range hood is factory set for vented installations through the roof or wall. For non-vented (recirculating) installations see "Non-Vented (recirculating) Installation Through the Soffit/Cabinet" in the "Prepare Location" section. Recirculation Kit Part Number W10356918 is available from your dealer or an authorized parts distributor.

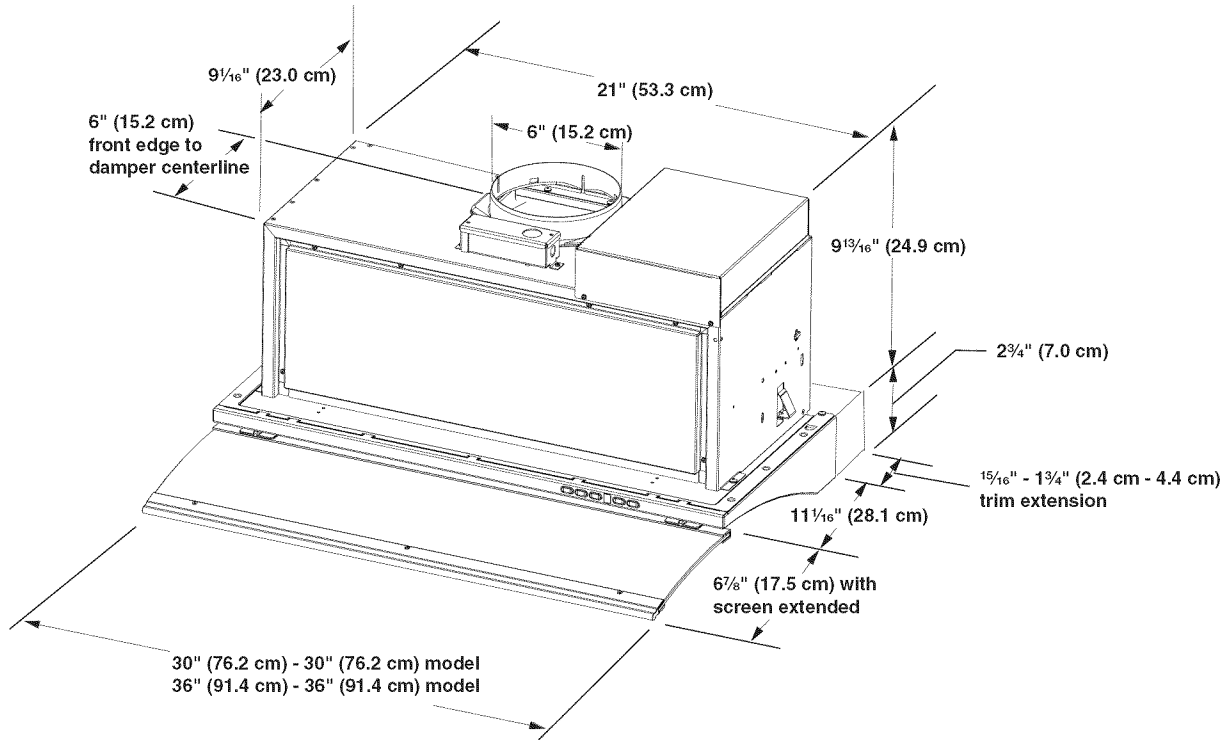
All openings in ceiling and wall where range hood will be installed must be sealed.

### For Mobile Home Installations

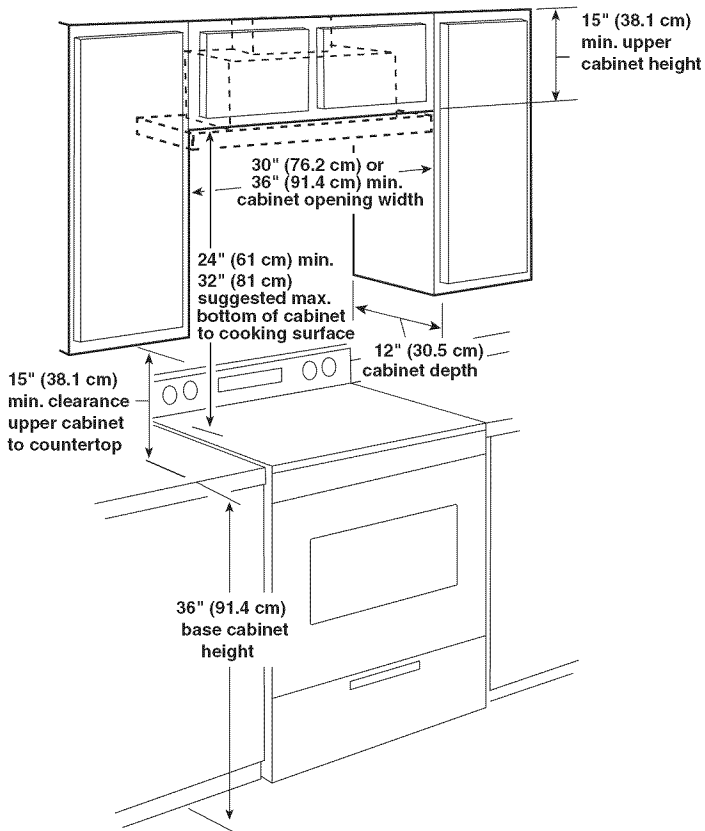
The installation of this range hood must conform to the Manufactured Home Construction Safety Standards, Title 24 CFR, Part 328 (formerly the Federal Standard for Mobile Home Construction and Safety, title 24, HUD, Part 280) or when such standard is not applicable, the standard for Manufactured Home Installation 1982 (Manufactured Home Sites, Communities and Setups) ANSI A225.1/NFPA 501A\*, or latest edition, or with local codes.

<sup>†</sup>TORX is a registered trademark of Saturn Fasteners, Inc.

## Product Dimensions



## Cabinet Dimensions



## Venting Requirements (vented models only)

- Vent system must terminate to the outside, except for non-vented (recirculating) installations.
- Do not terminate the vent system in an attic or other enclosed area.
- Do not use a 4" (10.2 cm) laundry-type wall cap.
- Use metal vent only. A rigid metal vent is recommended. Plastic or metal foil vent is not recommended.
- The length of the vent system and number of elbows should be kept to a minimum to provide efficient performance.

### For the most efficient and quiet operation:

- Use no more than three 90° elbows.
- Make sure there is a minimum of 24" (61.0 cm) of straight vent between the elbows if more than 1 elbow is used.
- Do not install 2 elbows together.
- The vent system must have a damper. If the roof or wall cap has a damper, do not use the damper supplied with the range hood.
- Use clamps to seal all joints in the vent system.
- Use caulking to seal exterior wall or roof opening around the cap.
- The size of the vent should be uniform.

## Cold weather installations

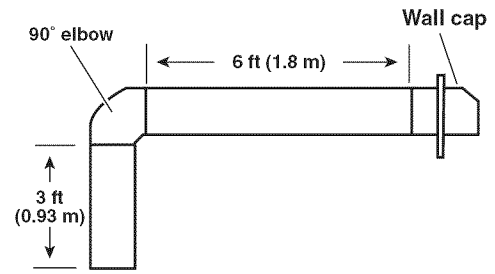
An additional back draft damper should be installed to minimize backward cold air flow and a thermal break should be installed to minimize conduction of outside temperatures as part of the vent system. The damper should be on the cold air side of the thermal break.

The break should be as close as possible to where the vent system enters the heated portion of the house.

## Makeup air

Local building codes may require the use of makeup air systems when using ventilation systems with greater than specified CFM of air movement. The specified CFM varies from locale to locale. Consult your HVAC professional for specific requirements in your area.

## Example vent system - 6" (15.2 cm)

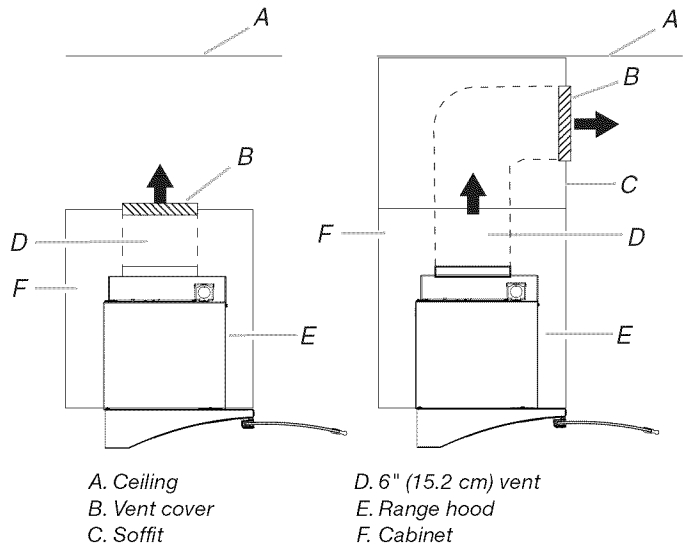


**Maximum Length = 35 ft (10.7 m)**

1 - 90° elbow	= 5 ft (1.5 m)
1 - wall cap	= 0 ft (0 m)
9 ft (2.8 m) straight	= 9 ft (2.8 m)
<b>System length</b>	<b>= 14 ft (4.3 m)</b>

## Non-Vented (recirculating) Installations Through the Soffit/Cabinet

If it is not possible to vent cooking fumes and vapors to the outside, the range hood can be used in the non-vented (recirculating) version, using a charcoal filter. Recirculation Kit Part Number W10356918 is available from the dealer or an authorized parts distributor. Damper installation is not required.

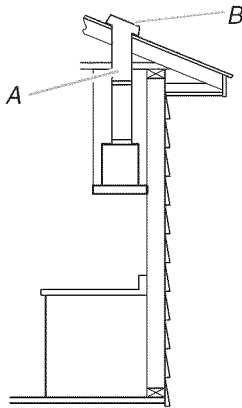


## Venting Methods

This range hood is factory set for venting through the roof or through the wall.

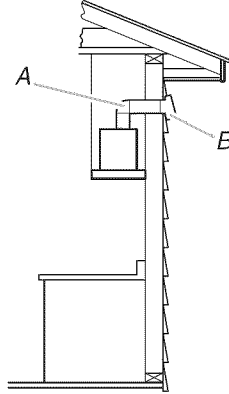
The vent system needed for installation is not included. A 6" (15.2 cm) round vent system is recommended.

### Roof Venting



A. 6" (15.2 cm) vent through the roof  
B. Roof cap

### Wall Venting



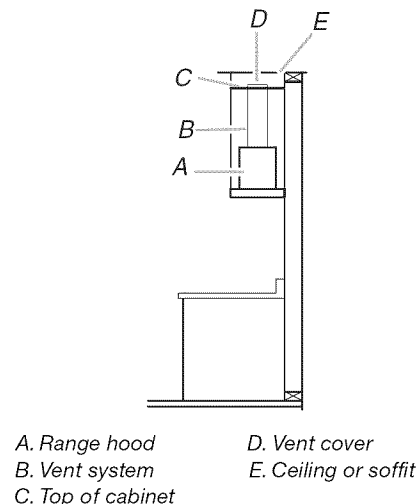
A. 6" (15.2 cm) vent through the wall  
B. Wall cap

## Calculate Vent System Length

The recommended vent system is 6" (15.2 cm) round vent with a maximum length of 35 ft (10.7 m). For the best performance, use no more than three 90° elbows.

To calculate the length of the system, add the equivalent feet (meters) for each of the vent pieces used in the system.

Vent Piece	6" (15.2 cm)
45° elbow	2.5 ft (0.8 m)
90° elbow	5.0 ft (1.5 m)



A. Range hood  
B. Vent system  
C. Top of cabinet  
D. Vent cover  
E. Ceiling or soffit

## Electrical Requirements

Observe all governing codes and ordinances.

Ensure that the electrical installation is adequate and in conformance with National Electrical Code, ANSI/NFPA 70 (latest edition), or CSA Standards C22.1-94, Canadian Electrical Code, Part 1 and C22.2 No. 0-M91 (latest edition) and all local codes and ordinances.

If codes permit and a separate ground wire is used, it is recommended that a qualified electrician determine that the ground path is adequate.

A copy of the above code standards can be obtained from:

National Fire Protection Association  
One Batterymarch Park  
Quincy, MA 02269

CSA International  
8501 East Pleasant Valley Road  
Cleveland, OH 44131-5575

- A 120 volt, 60 Hz., AC only, 15-amp, fused electrical circuit is required.

- If the house has aluminum wiring, follow the procedure below:

1. Connect a section of solid copper wire to the pigtail leads.
2. Connect the aluminum wiring to the added section of copper wire using special connectors and/or tools designed and UL listed for joining copper to aluminum.

Follow the electrical connector manufacturer's recommended procedure. Aluminum/copper connection must conform with local codes and industry accepted wiring practices.

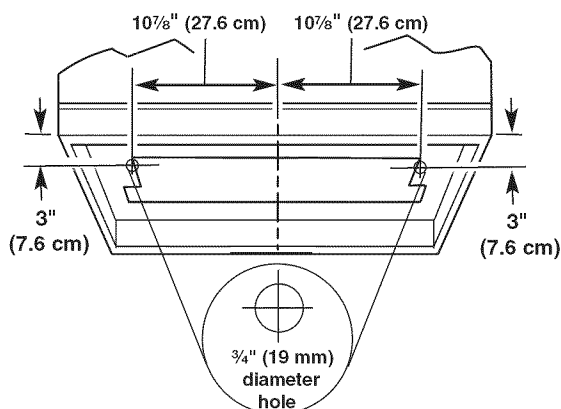
- Wire sizes and connections must conform with the rating of the appliance as specified on the model/serial rating plate. The model/serial plate is located behind the filter on the rear wall of the range hood.
- Wire sizes must conform to the requirements of the National Electrical Code, ANSI/NFPA 70 (latest edition), or CSA Standards C22.1-94, Canadian Electrical Code, Part 1 and C22.2 No. 0-M91 (latest edition) and all local codes and ordinances.

## INSTALLATION INSTRUCTIONS

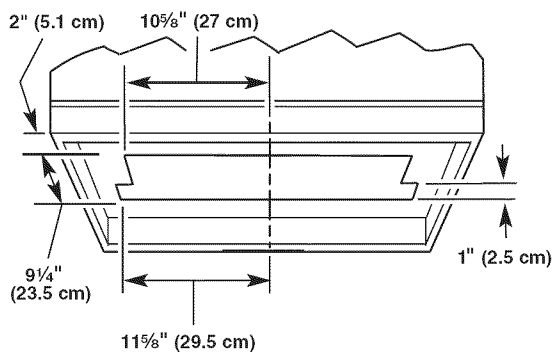
### Prepare Location

- It is recommended that the vent system be installed before the range hood is installed.
  - Before making cutouts, make sure there is proper clearance within the ceiling or wall for vent fittings.
1. Disconnect power.
  2. Determine which venting method to use: roof, wall, or non-vented.
  3. Select a flat surface for assembling the range hood. Place covering over that surface.

2. Measure and mark center lines for the  $\frac{3}{4}$ " (1.9 cm) holes as shown. Use a  $\frac{3}{4}$ " drill bit and drill the 2 holes at the marked locations.



3. Measure and mark lines as shown. Use a saber saw or keyhole saw to cut an opening through the underside of the cabinet.



### **WARNING**

#### Excessive Weight Hazard

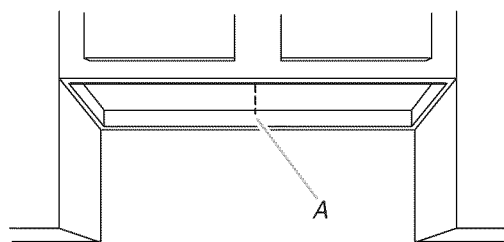
Use two or more people to move and install range hood.

Failure to do so can result in back or other injury.

4. Using 2 or more people, lift range hood onto covered surface.

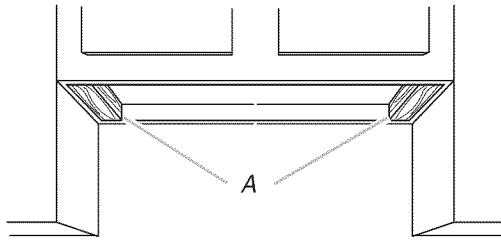
### Range Hood Cabinet Cutout

1. Determine and clearly mark a centerline on the underside of the cabinet.



A. Centerline

4. If the cabinet bottom is recessed above a support frame, wood filler strips need to be installed on the right and left sides of the cutout to provide sides of clearance for the sliding screen. Wood filler strips should be flush with or recessed  $\frac{1}{16}$ " (1.6 mm) to  $\frac{1}{8}$ " (3.2 mm) from the bottom of the support frame.

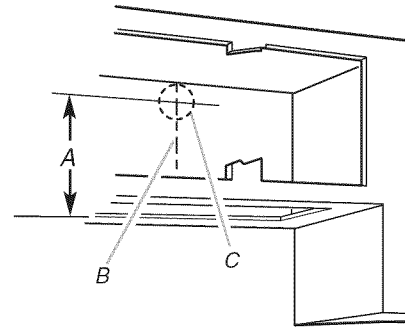


A. Wood filler strips

5. Complete cabinet preparation following the instructions for your type of installation.

Transfer measurement A to the cabinet back wall. Measure from the underside of the cabinet or wood filler strips, if used. Mark the cutout as shown. Use a saber saw or keyhole saw to cut a round opening through the back of the cabinet and the exterior wall for the vent.

Go to Step 6.

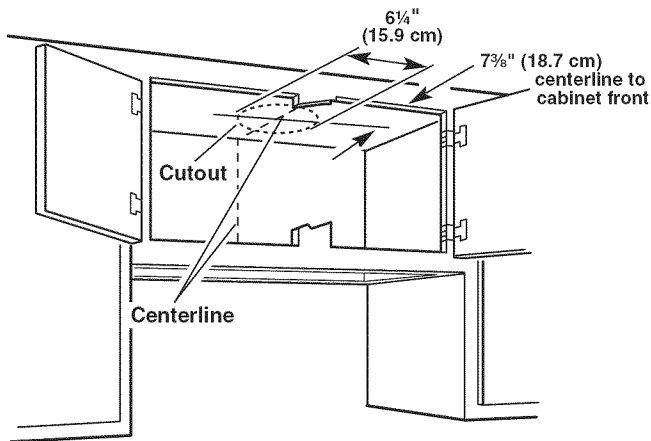


A. Measurement A  
B. Centerline  
C.  $6\frac{1}{4}$ " (15.9 cm) round cutout

### Venting Outside Through the Roof

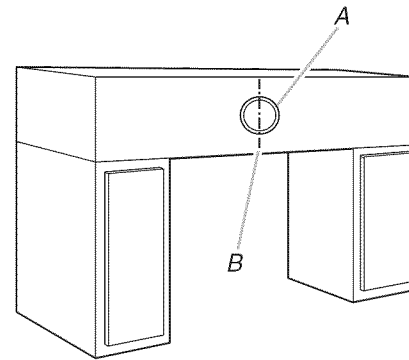
Measure and mark the lines as shown. Use a saber saw or keyhole saw to cut a round opening through the top of the cabinet and the roof for the vent.

Go to Step 6.



### Non-Vented (recirculating) Installation Through the Soffit/Cabinet

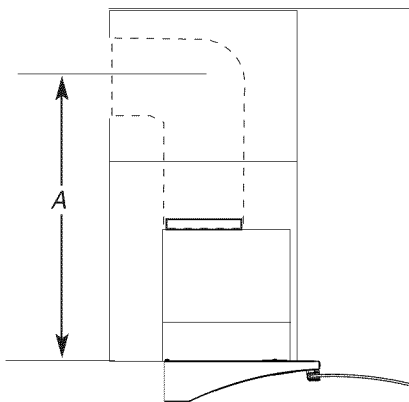
Measure and mark a round vent opening in the soffit using the method shown for venting through the wall. Measure and mark the centerline on the soffit above the range hood area.



A. Vent cover  
B. Centerline

### Venting Outside Through the Wall

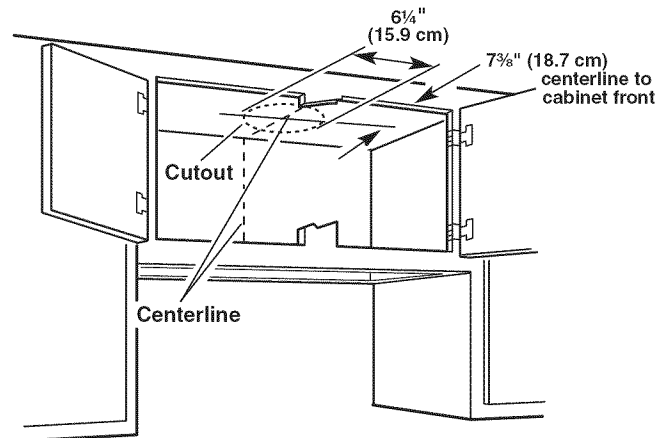
Assemble the vent that you will use over the vent opening. Do not attach the vent at this time. Measure from the top of the screen housing to the horizontal centerline of the vent opening (A). Remove the vent.



A. Measurement A

Measure and mark the lines as shown. Use a saber saw or keyhole saw to cut a round opening for the vent.

The range hood can be vented inside through the top of the cabinet.

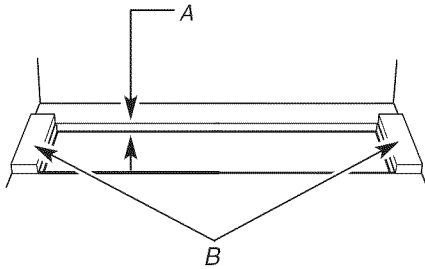




For non-vented (recirculating) installations, charcoal filters are necessary. See the "Range Hood Care" section for instructions on installing charcoal filters.

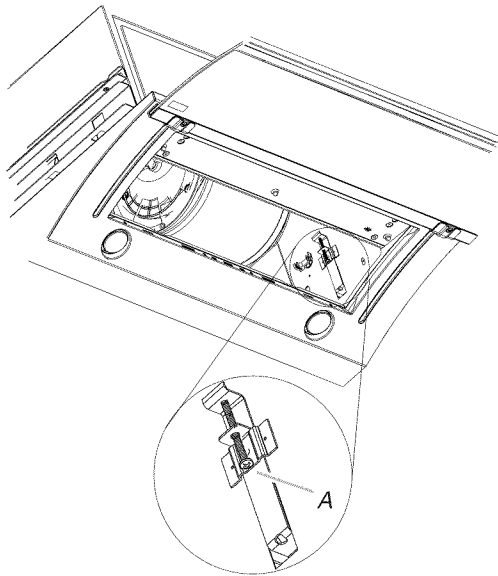
The Recirculation Kit Part Number W10356918 must be used.

6. Install the vent system according to the method needed. Use caulking to seal the exterior wall or roof opening.
7. Run the wiring through the wall or cabinet according to the national Electrical Code and all local codes and ordinances. Use caulking to seal around wire opening.
8. Measure the thickness of the cabinet floor, including the filler strips, if used. If the thickness is less than  $\frac{3}{4}$ " (1.9 cm), install wood filler strips that are a minimum length of 5" (12.7 cm) onto the cabinet floor. The mounting bracket adjusts from  $\frac{3}{4}$ " (1.9 cm) to  $1\frac{1}{2}$ " (3.8 cm) for the wood filler strips.



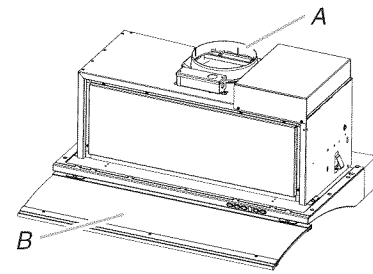
A. Less than  $\frac{1}{2}$ " (12.7 mm)  
B. Wood fillers (thickness as required)

9. The spring loaded brackets are factory set to accommodate a thickness of 1" (2.5 cm). The brackets can be adjusted up for thicker cabinets (or down for thinner cabinets) by turning T10 TORX® screw on each side of the hood.



A. T10 TORX® screw

10. Place the round damper into the vent opening of the range hood and attach with 2 - 9 x 9.5 mm TORX® screws.



A. Damper  
B. Range hood screen

**NOTE:** For some non-vented (recirculating) installations it may be easier to attach the vent system to the range hood before lifting the range hood into its final location. Seal the connection with clamps.

## Install Range Hood

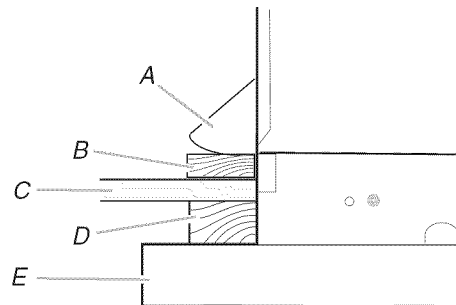
### **WARNING**

#### Excessive Weight Hazard

Use two or more people to move and install range hood.

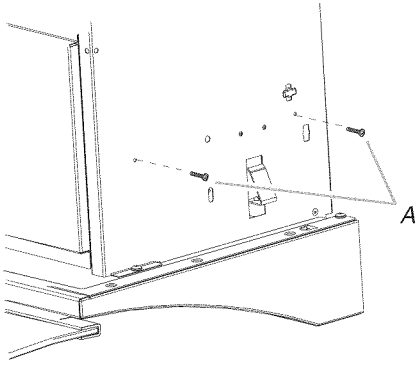
Failure to do so can result in back or other injury.

1. Using 2 or more people, lift the range hood into its final location. (The wiring and terminal box are to be on top of the range hood.)
2. Check that the mounting brackets overlap the cabinet bottom or wood filler strips.
3. Center the range hood.



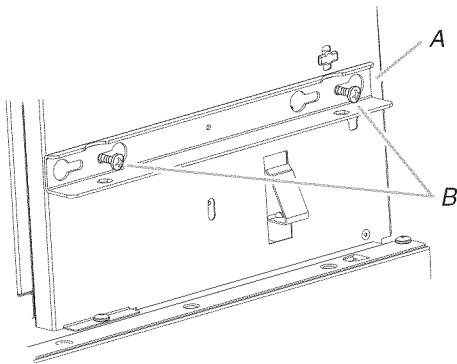
A. Mounting bracket  
B. Optional wood filler strip  
C. Cabinet bottom  
D. Optional wood filler strip for recessed cabinet  
E. Slide-out range hood

4. Install 2 - 3.5 x 9.5 mm mounting screws. Leave approximately 1/4" (0.6 cm) space between the screw heads and hood to slide the brackets into place.



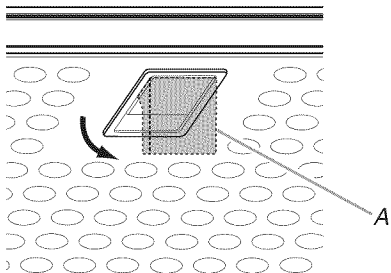
A. 3.5 x 9.5 mm screws

5. Position an upper bracket so that the large end of the keyhole slots are over the mounting screws. Then push the bracket toward the rear of the hood so that the screws are in the neck of the slots. Tighten the mounting screws, making sure the mounting screws are in the narrow neck of the slots.



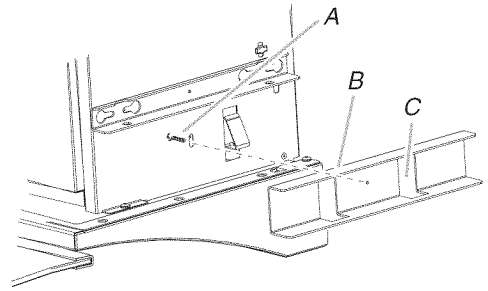
A. Upper bracket  
B. Mounting screws

6. Remove the grease filter by pulling the spring release handle and then pulling down the filter.



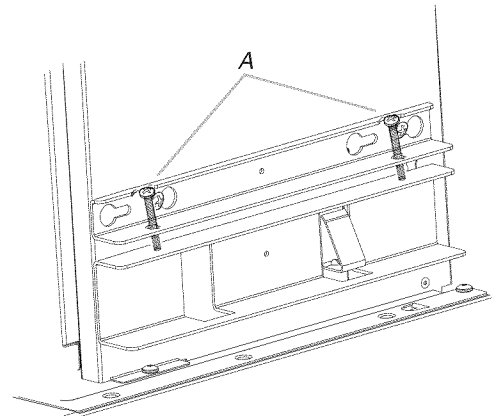
A. Spring release handle

7. Install a lower bracket with a 3.5 x 9.5 mm screw. Be sure to position the bracket slot as shown.



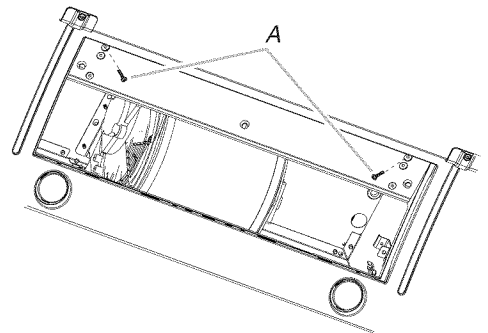
A. 3.5 x 9.5 mm screw  
B. Lower bracket  
C. Bracket slot

8. Install 2 - 5 x 18 mm adjusting screws.



A. 5 x 18 mm leveling screws

9. Place a level on either side the hood top and check the levelness of the hood front to back.
10. Adjust the adjusting screws so the hood is level from front to back. Repeat this procedure on the other side.
11. Drill 2 - 1/8" (3 mm) pilot holes and install 2 - 4.5 x 16 mm wood screws to secure the front of the range hood to the cabinet bottom.



A. 4.5 x 16 mm wood screws

## Electrical Connection

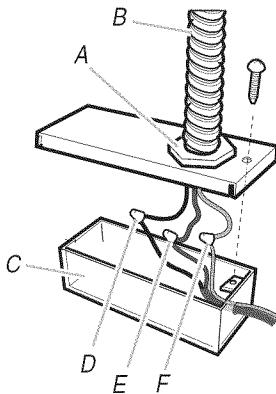
### **⚠️ WARNING**



#### Electrical Shock Hazard

Disconnect power before servicing.  
Replace all parts and panels before operating.  
Failure to do so can result in death or electrical shock.

1. Disconnect power.
2. Remove terminal box cover.
3. Remove knockout from top of the terminal box and install a UL listed or CSA approved ½" (1.3 cm) strain relief.
4. Pull house power supply cable through the strain relief into the terminal box.
5. Use UL listed wire connectors and connect black wires (D) together.
6. Use UL listed wire connectors and connect white wires (A) together.



A. UL listed or CSA approved strain relief  
B. Home power supply cable  
C. Terminal box

D. Black wires  
E. Green (or bare) wire connected to yellow/green wire  
F. White wires

### **⚠️ WARNING**



#### Fire Hazard

Electrically ground the blower.  
Use copper wire.  
Connect ground wire to green ground screw in terminal box.  
Failure to do so can result in death, fire, or electrical shock.

7. Use UL listed wire connectors and connect the green (or bare) ground wire from the home power supply to the green ground wire inside the range hood terminal box.
8. Tighten strain relief screw.
9. Install terminal box cover.

**NOTE:** Do not turn on power until installation is complete.

## Connect the Vent System

### Vented Installations

1. Replace the metal filters. See the "Range Hood Care" section.
2. Connect the vent system to the range hood vent opening. Seal the connection with clamps.
3. Reconnect power.
4. Check the operation of the range hood fan and light.
5. Push the range hood screen back in.

### Non-Vented (recirculating) Installations

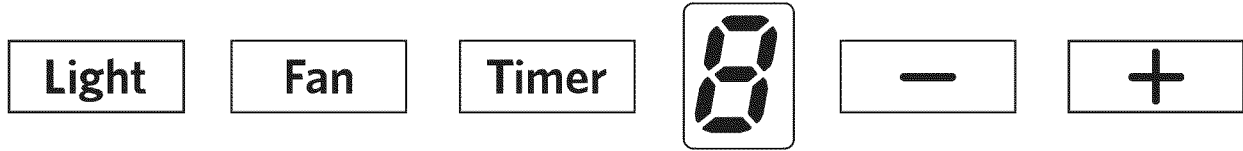
1. Connect the vent system to the range hood vent opening. Seal the connection with clamps.
2. Install charcoal filters. See the "Range Hood Care" section.
3. Replace metal grease filters. See the "Range Hood Care" section.
4. Reconnect power.
5. Check the operation of the range hood fan and light.
6. Push the range hood screen back in.

To order replacement kits, see the "Assistance or Service" section.

---

# RANGE HOOD USE

The range hood is designed to remove smoke, cooking vapors and odors from the cooktop area. For best results, start the range hood before cooking and allow it to operate several minutes after the cooking is complete to clear all smoke and odors from the kitchen.



---

## Controls

---

## Display

---

### Fan Control

#### Operating the Fan

- Slide the range hood screen forward.  
**NOTE:** When the screen is opened the fan will operate at the fan switch setting that it was at when the screen was last closed. The fan will shut off when the screen is about 1" (2.5 cm) from the closed position.
- To turn the fan On, press FAN, then press the "+" button to the desired fan speed: 1 (Low), 2 (Medium), 3 (High), P (Power Boost).  
**NOTE:** The Power Boost (P) speed stays on for 5 minutes. After 5 minutes, the fan automatically switches to speed 2 (Medium).
- To turn the fan Off, press FAN or close the screen.  
**NOTE:** The fan will shut off when the screen is about 1" (2.5 cm) from the closed position. When the screen is opened, the fan will operate at the last setting.

---

### Light Control

#### Operating the Lights

- To turn the lights On, press LIGHT once. The lights will come on in the Low setting. Press LIGHT a second time to switch the lights to High.
- To turn the lights Off, press LIGHT a third time or close the screen.  
**NOTE:** The lights will shut off when the screen is about 1" (2.5 cm) from the closed position. When the screen is opened, the lights will come on to the last setting selected.

---

### Timer Control

#### Operating the Timer

To activate the timer, with the fan On, press TIMER. An LED will begin flashing on the lower side of the display.

This function will operate the hood fan for an established period of time:

- 20 minutes if the 1 (Low) speed is selected.
- 15 minutes if the 2 (Medium) speed is selected.
- 10 minutes if the 3 (High) speed is selected.
- 5 minutes if the P (Power Boost) speed is selected.

After the time has completed, the hood fan will automatically turn Off.

---

### Grease Filter Saturation Alarm

After 30 hours of fan operation, the display will show "F" when the fan is active. When this icon shows in the display, the installed grease filters should be washed. See the "Range Hood Care" section.

- To reset the grease filter saturation alarm, press and hold FAN for 3 seconds. The "F" icon will no longer be displayed.

---

### Charcoal Filter Saturation Alarm

After 120 hours of fan operation, the display will show "C" when the fan is active. When this icon shows in the display, the charcoal filters should be washed. See the "Range Hood Care" section.

- To reset the charcoal filter saturation alarm, press and hold FAN for 3 seconds. "C" will no longer be displayed.

---

### Charcoal Filter Recirculation Accessory

When the charcoal filter is in use (recirculating mode), press and hold the "+" and "-" buttons at the same time for 3 seconds. "F" will appear in the display for 3 seconds, followed by "C."

If the charcoal filter is not used (vented mode), press and hold the "+" and "-" buttons at the same time for 3 seconds. "F" will appear in the display for 3 seconds.

When the charcoal filter is not in use, the charcoal filter alarm is disabled.

# RANGE HOOD CARE

## Cleaning

**IMPORTANT:** Clean the range hood and grease filter frequently according to the following instructions. Replace grease filter before operating range hood.

Be sure light is cool before cleaning the range hood.

### Exterior Surfaces

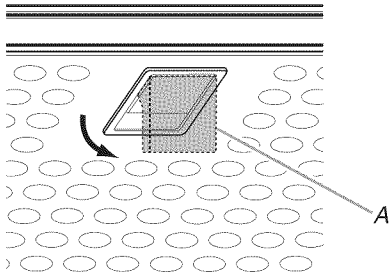
Clean the range hood with a mild detergent and soft cloth. To avoid damage to the exterior surface, do not use abrasive cleansers or steel-wool pads

### Metal Grease Filter

The filter should be washed frequently. Place metal filter in dishwasher or hot detergent solution to clean. Let filter dry thoroughly before replacing it.

Turn off fan and lights. Allow the halogen bulbs to cool.

1. Remove the filter by pulling the spring release handle and then pulling down the filter.



A. Spring release handle

2. Wash the metal filter as needed in the dishwasher or hot detergent solution.
3. Reinstall the filter by making sure the spring release handle is toward the front. Insert the metal grease filter into the upper track.
4. Pull the spring release handle down.
5. Push up on the metal filter and release the handle to latch into place.

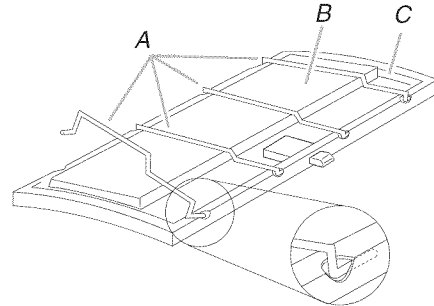
### Charcoal Filter - For Non-Vented (recirculating) Installations

**NOTE:** After approximately 3 years of use the charcoal filter should be replaced. To order a replacement Charcoal Filter Kit, see the "Assistance or Service" section.

The charcoal filter can be cleaned and reactivated. Clean the filter in the dishwasher using normal detergent and the highest temperature setting. To reactivate the filter, dry the filter in an oven for 10 minutes at a maximum temperature of 210°F (100°C).

### To Install Charcoal Filter

1. For non-vented (recirculating installations), fit the charcoal filter on the rear side of the metal grease filter.
2. Secure the charcoal filter in place with the metal brackets supplied.



A. Metal brackets  
B. Charcoal filter  
C. Metal grease filter

3. Reinstall the filter assembly into the range hood.

### To Replace Charcoal Filter

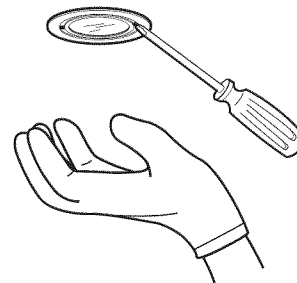
1. Turn fan and lights off. Check that the halogen bulbs are cool.
2. Remove the metal grease filter. See the "Metal Grease Filter" section.
3. Remove the brackets and remove the charcoal filter.
4. Clean or discard the charcoal filter.
5. Install the cleaned or replacement filter.

## Replacing the Halogen Bulb

Turn off the range hood and allow the halogen bulbs to cool. To avoid damage or decreasing the life of the new bulb, do not touch the bulb with bare fingers. Replace the bulb using tissue or wearing cotton gloves to handle bulb.

If the new bulbs do not operate, make sure the bulbs are inserted correctly before calling service.

1. Disconnect power.
2. Use a flat-blade screwdriver to gently pry and remove the bulb.

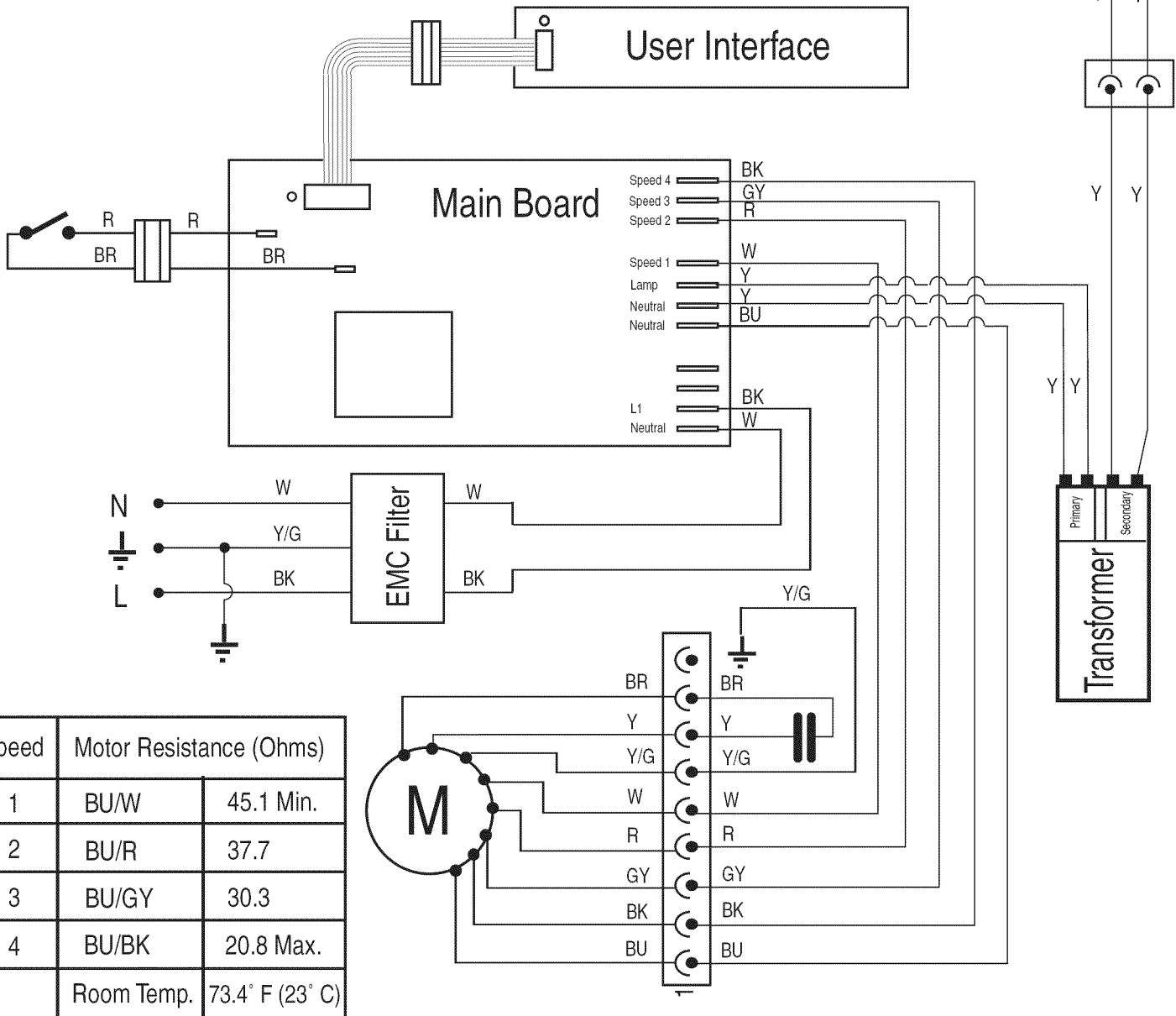
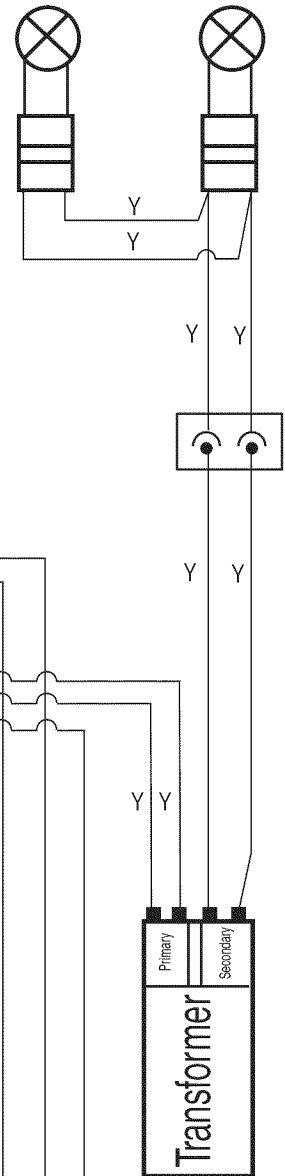


3. Replace with a 12-volt, 20-watt maximum, halogen bulb made for a GU-4 base.
4. Reconnect power.

# WIRING DIAGRAM

## SEL0015013

Motor Characteristics	
Power Supply	120 V
Frequency	60 Hz
Power Absorption	230 W



Speed	Motor Resistance (Ohms)	
1	BU/W	45.1 Min.
2	BU/R	37.7
3	BU/GY	30.3
4	BU/BK	20.8 Max.
	Room Temp.	73.4° F (23° C)

---

# ASSISTANCE OR SERVICE

---

When calling for assistance or service, please know the purchase date and the complete model and serial number of your appliance. This information will help us to better respond to your request.

## If you need replacement parts

If you need to order replacement parts, we recommend that you use only factory specified parts. Factory specified parts will fit right and work right because they are made with the same precision used to build every new appliance. To locate factory specified replacement parts in your area, call us or your nearest designated service center.

---

## In the U.S.A.

Call the KitchenAid Customer eXperience Center toll free: **1-800-422-1230**.

### Our consultants provide assistance with:

- Features and specifications on our full line of appliances.
- Installation information.
- Use and maintenance procedures.
- Accessory and repair parts sales.
- Specialized customer assistance (Spanish speaking, hearing impaired, limited vision, etc.).
- Referrals to local dealers, repair parts distributors and service companies. KitchenAid designated service technicians are trained to fulfill the product warranty and provide after-warranty service, anywhere in the United States.

To locate the KitchenAid designated service company in your area, you can also look in your telephone directory Yellow Pages.

### For further assistance

If you need further assistance, you can write to KitchenAid with any questions or concerns at:

KitchenAid Brand Home Appliances  
Customer eXperience Center  
553 Benson Road  
Benton Harbor, MI 49022-2692

Please include a daytime phone number in your correspondence.

---

## In Canada

Call the KitchenAid Canada Customer eXperience Centre toll free: **1-800-807-6777**.

### Our consultants provide assistance with:

- Features and specifications on our full line of appliances.
- Use and maintenance procedures.
- Accessory and repair parts sales.
- Referrals to local dealers, repair parts distributors and service companies. KitchenAid Canada designated service technicians are trained to fulfill the product warranty and provide after-warranty service, anywhere in Canada.

### For further assistance

If you need further assistance, you can write to KitchenAid Canada with any questions or concerns at:

Customer eXperience Centre  
KitchenAid Canada  
200 - 6750 Century Ave.  
Mississauga, Ontario L5N 0B7

Please include a daytime phone number in your correspondence.

---

## Accessories

### Recirculation Kit

(for non-vented installations only)

Order Part Number W10356918

### Replacement Charcoal Filters

(for non-vented installations only)

Order Part Number W10356922

---

# KITCHENAID® VENTILATION WARRANTY

---

## LIMITED WARRANTY

For one year from the date of purchase, when this major appliance is operated and maintained according to instructions attached to or furnished with the product, KitchenAid brand of Whirlpool Corporation or Whirlpool Canada LP (hereafter "KitchenAid") will pay for Factory Specified Parts and repair labor to correct defects in materials or workmanship. Service must be provided by a KitchenAid designated service company. This limited warranty is valid only in the United States or Canada and applies only when the major appliance is used in the country in which it was purchased. Outside the 50 United States and Canada, this limited warranty does not apply. Proof of original purchase date is required to obtain service under this limited warranty.

---

## ITEMS EXCLUDED FROM WARRANTY

### This limited warranty does not cover:

1. Service calls to correct the installation of your major appliance, to instruct you on how to use your major appliance, to replace or repair house fuses, or to correct house wiring or plumbing.
2. Service calls to repair or replace appliance light bulbs, air filters or water filters. Consumable parts are excluded from warranty coverage.
3. Repairs when your major appliance is used for other than normal, single-family household use or when it is used in a manner that is contrary to published user or operator instructions and/or installation instructions.
4. Damage resulting from accident, alteration, misuse, abuse, fire, flood, acts of God, improper installation, installation not in accordance with electrical or plumbing codes, or use of consumables or cleaning products not approved by KitchenAid.
5. Cosmetic damage, including scratches, dents, chips or other damage to the finish of your major appliance, unless such damage results from defects in materials or workmanship and is reported to KitchenAid within 30 days from the date of purchase.
6. Costs associated with the removal from your home of your major appliance for repairs. This major appliance is designed to be repaired in the home and only in-home service is covered by this warranty.
7. Repairs to parts or systems resulting from unauthorized modifications made to the appliance.
8. Expenses for travel and transportation for product service if your major appliance is located in a remote area where service by an authorized KitchenAid servicer is not available.
9. The removal and reinstallation of your major appliance if it is installed in an inaccessible location or is not installed in accordance with published installation instructions.
10. Major appliances with original model/serial numbers that have been removed, altered or cannot be easily determined. This warranty is void if the factory applied serial number has been altered or removed from your major appliance.

The cost of repair or replacement under these excluded circumstances shall be borne by the customer.

---

## DISCLAIMER OF IMPLIED WARRANTIES; LIMITATION OF REMEDIES

CUSTOMER'S SOLE AND EXCLUSIVE REMEDY UNDER THIS LIMITED WARRANTY SHALL BE PRODUCT REPAIR AS PROVIDED HEREIN. IMPLIED WARRANTIES, INCLUDING WARRANTIES OF MERCHANTABILITY OR FITNESS FOR A PARTICULAR PURPOSE, ARE LIMITED TO ONE YEAR OR THE SHORTEST PERIOD ALLOWED BY LAW. KITCHENAID SHALL NOT BE LIABLE FOR INCIDENTAL OR CONSEQUENTIAL DAMAGES. SOME STATES AND PROVINCES DO NOT ALLOW THE EXCLUSION OR LIMITATION OF INCIDENTAL OR CONSEQUENTIAL DAMAGES, OR LIMITATIONS ON THE DURATION OF IMPLIED WARRANTIES OF MERCHANTABILITY OR FITNESS, SO THESE EXCLUSIONS OR LIMITATIONS MAY NOT APPLY TO YOU. THIS WARRANTY GIVES YOU SPECIFIC LEGAL RIGHTS, AND YOU MAY ALSO HAVE OTHER RIGHTS WHICH VARY FROM STATE TO STATE OR PROVINCE TO PROVINCE.

---

If outside the 50 United States and Canada, contact your authorized KitchenAid dealer to determine if another warranty applies.

If you need service, first see the "Troubleshooting" section of the Use & Care Guide. After checking "Troubleshooting," you may find additional help by checking the "Assistance or Service" section or by calling KitchenAid. In the U.S.A., call **1-800-422-1230**. In Canada, call **1-800-807-6777**.

9/07

---

**Keep this book and your sales slip together for future reference. You must provide proof of purchase or installation date for in-warranty service.**

Write down the following information about your major appliance to better help you obtain assistance or service if you ever need it. You will need to know your complete model number and serial number. You can find this information on the model and serial number label located on the product.

Dealer name \_\_\_\_\_

Address \_\_\_\_\_

Phone number \_\_\_\_\_

Model number \_\_\_\_\_

Serial number \_\_\_\_\_

Purchase date \_\_\_\_\_



# SÉCURITÉ DE LA HOTTE D'ASPIRATION

## Votre sécurité et celle des autres est très importante.

Nous donnons de nombreux messages de sécurité importants dans ce manuel et sur votre appareil ménager. Assurez-vous de toujours lire tous les messages de sécurité et de vous y conformer.



Voici le symbole d'alerte de sécurité.

Ce symbole d'alerte de sécurité vous signale les dangers potentiels de décès et de blessures graves à vous et à d'autres.

Tous les messages de sécurité suivront le symbole d'alerte de sécurité et le mot "DANGER" ou "AVERTISSEMENT". Ces mots signifient :

**⚠ DANGER**

Risque possible de décès ou de blessure grave si vous ne suivez pas immédiatement les instructions.

**⚠ AVERTISSEMENT**

Risque possible de décès ou de blessure grave si vous ne suivez pas les instructions.

Tous les messages de sécurité vous diront quel est le danger potentiel et vous disent comment réduire le risque de blessure et ce qui peut se produire en cas de non-respect des instructions.

# IMPORTANTES INSTRUCTIONS DE SÉCURITÉ

**AVERTISSEMENT : POUR RÉDUIRE LE RISQUE D'INCENDIE, CHOC ÉLECTRIQUE OU DOMMAGES CORPORELS, RESPECTER LES INSTRUCTIONS SUIVANTES :**

- Utiliser cet appareil uniquement dans les applications envisagées par le fabricant. Pour toute question, contacter le fabricant.
- Avant d'entreprendre un travail d'entretien ou de nettoyage, interrompre l'alimentation de la hotte au niveau du tableau de disjoncteurs, et verrouiller le tableau de disjoncteurs pour empêcher tout rétablissement accidentel de l'alimentation du circuit. Lorsqu'il n'est pas possible de verrouiller le tableau de disjoncteurs, placer sur le tableau de disjoncteurs une étiquette d'avertissement proéminente interdisant le rétablissement de l'alimentation.
- Tout travail d'installation ou câblage électrique doit être réalisé par une personne qualifiée, dans le respect des prescriptions de tous les codes et normes applicables, y compris les codes du bâtiment et de protection contre les incendies.
- Une source d'air de débit suffisant est nécessaire pour le fonctionnement correct de tout appareil à gaz (combustion et évacuation des gaz à combustion par la cheminée), pour qu'il n'y ait pas de reflux des gaz de combustion. Respecter les directives du fabricant de l'équipement de chauffage et les prescriptions des normes de sécurité - comme celles publiées par la National Fire Protection Association (NFPA) et l'American Society for Heating, Refrigeration and Air Conditioning Engineers (ASHRAE), et les prescriptions des autorités réglementaires locales.
- Lors d'opérations de découpage et de perçage dans un mur ou un plafond, veiller à ne pas endommager les câblages électriques ou canalisations qui peuvent s'y trouver.
- Les ventilateurs d'évacuation doivent toujours décharger l'air à l'extérieur.

**MISE EN GARDE :** Cet appareil est conçu uniquement pour la ventilation générale. Ne pas l'utiliser pour l'extraction de matières ou vapeurs dangereuses ou explosives.

**MISE EN GARDE :** Pour minimiser le risque d'incendie et évacuer adéquatement les gaz, veiller à acheminer l'air aspiré par un conduit jusqu'à l'extérieur - ne pas décharger l'air aspiré dans un espace vide du bâtiment comme une cavité murale, un plafond, un grenier, un vide sanitaire ou un garage.

**AVERTISSEMENT :** POUR RÉDUIRE LE RISQUE D'INCENDIE, UTILISER UNIQUEMENT DES CONDUITS MÉTALLIQUES.

**AVERTISSEMENT : POUR MINIMISER LE RISQUE D'UN FEU DE GRAISSE SUR LA CUISINIÈRE :**

- Ne jamais laisser un élément de surface fonctionner à puissance de chauffage maximale sans surveillance. Un renversement/débordement de matière grasseuse pourrait provoquer une inflammation et la génération de fumée. Utiliser une puissance de chauffage moyenne ou basse pour le chauffage d'huile.
- Veiller à toujours faire fonctionner le ventilateur de la hotte lors de la cuisson avec une puissance de chauffage élevée ou lors de la cuisson d'un mets à flamber (à savoir crêpes Suzette, cerise jubilee, steak au poivre flambé).
- Nettoyer fréquemment les ventilateurs d'extraction. Veiller à ne pas laisser la graisse s'accumuler sur les surfaces du ventilateur ou des filtres.
- Utiliser toujours un ustensile de taille appropriée. Utiliser toujours un ustensile adapté à la taille de l'élément chauffant.

**AVERTISSEMENT: POUR RÉDUIRE LE RISQUE DE DOMMAGES CORPORELS APRÈS LE DÉCLENCHEMENT D'UN FEU DE GRAISSE SUR LA CUISINIÈRE, APPLIQUER LES RECOMMANDATIONS SUIVANTES :<sup>a</sup>**

- Placer sur le récipient un couvercle bien ajusté, une tôle à biscuits ou un plateau métallique **POUR ÉTOUFFER LES FLAMMES**, puis éteindre le brûleur. **VEILLER À ÉVITER LES BRÛLURES.** Si les flammes ne s'éteignent pas immédiatement, **ÉVACUER LA PIÈCE ET APPELER LES POMPIERS.**
- **NE JAMAIS PRENDRE EN MAIN UN RÉCIPENT ENFLAMMÉ** - vous risquez de vous brûler.
- **NE PAS UTILISER D'EAU**, ni un torchon humide - ceci pourrait provoquer une explosion de vapeur brûlante.
- Utiliser un extincteur **SEULEMENT** si :
  - Il s'agit d'un extincteur de classe ABC, dont on connaît le fonctionnement.
  - Il s'agit d'un petit feu encore limité à l'endroit où il s'est déclaré.
  - Les pompiers ont été contactés.
  - Il est possible de garder le dos orienté vers une sortie pendant l'opération de lutte contre le feu.

<sup>a</sup>Recommandations tirées des conseils de sécurité en cas d'incendie de cuisine publiés par la NFPA.

## LIRE ET CONSERVER CES INSTRUCTIONS

# EXIGENCES D'INSTALLATION

## Outils et pièces

Rassembler les outils et pièces nécessaires avant d'entreprendre l'installation. Lire et observer les instructions fournies avec chacun des outils de la liste ci-dessous.

### Outils nécessaires

- Niveau
- Perceuse
- Foret de 1/8" (3 mm)
- Foret de 3/4" (19 mm)
- Crayon
- Pince
- Pince à dénuder ou couteau utilitaire
- Mètre-ruban ou règle
- Pistolet à calfeutrage et composé de calfeutrage résistant aux intempéries
- Tournevis Phillips
- Tournevis à lame plate
- Tourne-écrou T-10 TORX†
- Scie sauteuse ou scie à guichet
- Brides de conduit
- Cisaille de ferblantier

### Pièces nécessaires

- Câble d'alimentation électrique du domicile
- Deux serre-câble approuvés de 1/2" (1,3 cm) (homologation UL ou CSA)
- 3 connecteurs de fils homologués UL

### Pour les installations avec décharge à l'extérieur, il faudra aussi :

- 1 bouche de décharge (décharge à travers le mur ou à travers le toit)
- Circuit d'évacuation métallique

### Pour les installations sans décharge à l'extérieur (recyclage), il faudra aussi :

- Ensemble de recyclage - Commander la pièce numéro W10356918. Voir la section "Assistance ou service" pour commander.

### Pièces facultatives éventuellement nécessaires :

- Tringles d'appui en bois pour placards avec fond en retrait. Longueur et épaisseur selon les dimensions de l'encastrement. Voir la section "Préparation de l'emplacement".
- Deux tringles de bois 1" x 1" x 5" (25 x 25 x 12,7 cm) pour le plancher du placard. Voir la section "Préparation de l'emplacement".
- Quatre vis à bois, 1 1/4" (3,2 cm)

### Pièces fournies

Retirer les pièces de leur emballage. Vérifier que toutes les pièces sont présentes.

- Clapet anti-retour : Pièce numéro W10369162

- Sachet de quincaillerie : Pièce numéro W10369160. Comprend :

Instructions d'installation et Guide d'utilisation et d'entretien

2 supports de nivellement inférieurs

2 supports de nivellement supérieurs

Deux vis métalliques de 2,5 x 9,5 mm

Quatre vis à bois de 4,5 x 16 mm

Quatre vis à métaux de 5 x 18 mm

Quatre vis métalliques de 3,5 x 9,5 mm

## Exigences d'emplacement

**IMPORTANT :** Observer les dispositions de tous les codes et règlements en vigueur.

Confier l'installation de la hotte à un technicien qualifié. C'est à l'installateur qu'incombe la responsabilité de respecter les distances de séparation exigées, spécifiées sur la plaque signalétique de l'appareil. La plaque signalétique de l'appareil est située derrière le filtre, sur la paroi arrière gauche de la hotte.

Installer la hotte de cuisinière à distance de toute zone exposée à des courants d'air, comme fenêtres, portes et bouches de chauffage.

Respecter les dimensions indiquées pour les ouvertures à découper dans les placards. Ces dimensions tiennent compte des valeurs minimales des dégagements de séparation. Avant d'effectuer des découpages, consulter les instructions d'installation de la table de cuisson/cuisinière.

On doit disposer d'une prise de courant électrique reliée à la terre. Voir la section "Spécifications électriques".

La hotte a été configurée à l'usine pour une installation avec décharge à l'extérieur à travers le toit ou le mur. Pour une installation sans décharge à l'extérieur (recyclage), voir "Installation sans décharge à l'extérieur (recyclage) à travers le soffite/placard", à la section "Préparation de l'emplacement". L'ensemble de recyclage (pièce numéro W10356918) est disponible chez votre marchand ou chez un distributeur de pièces autorisé.

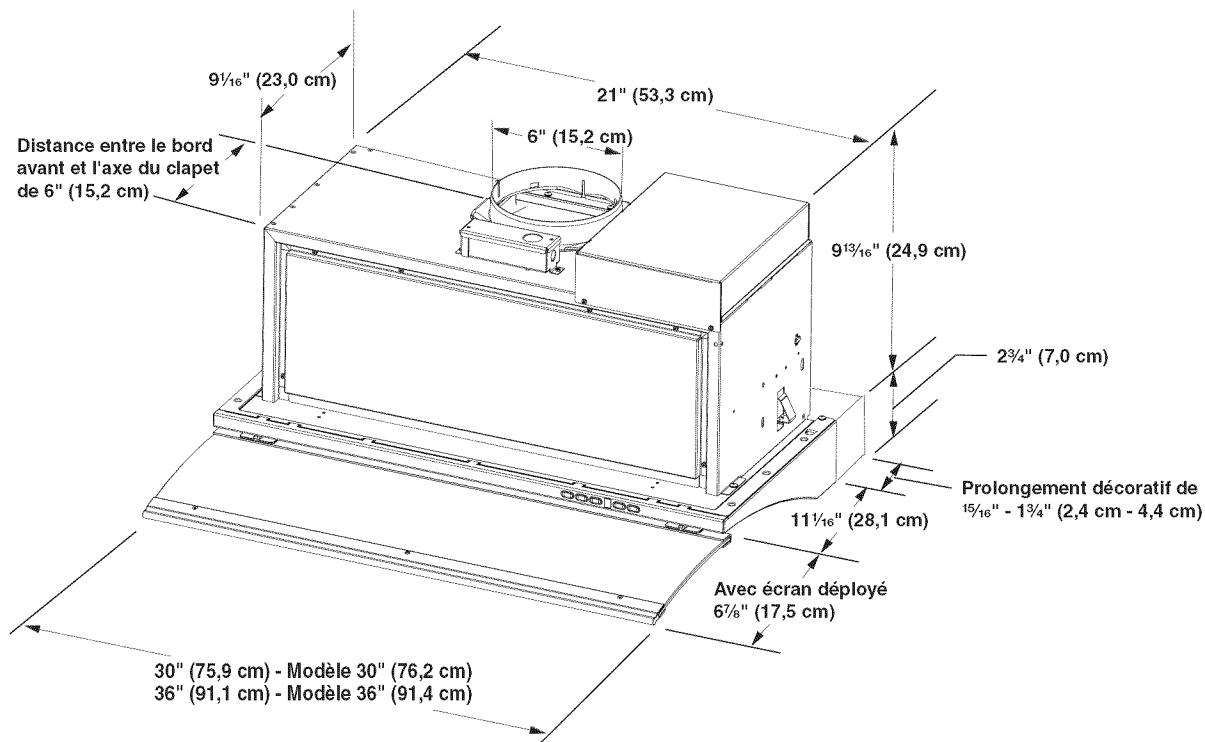
Assurer l'étanchéité au niveau de chaque ouverture découpée dans le plafond ou le mur pour l'installation de la hotte de cuisinière.

### Installation dans une résidence mobile

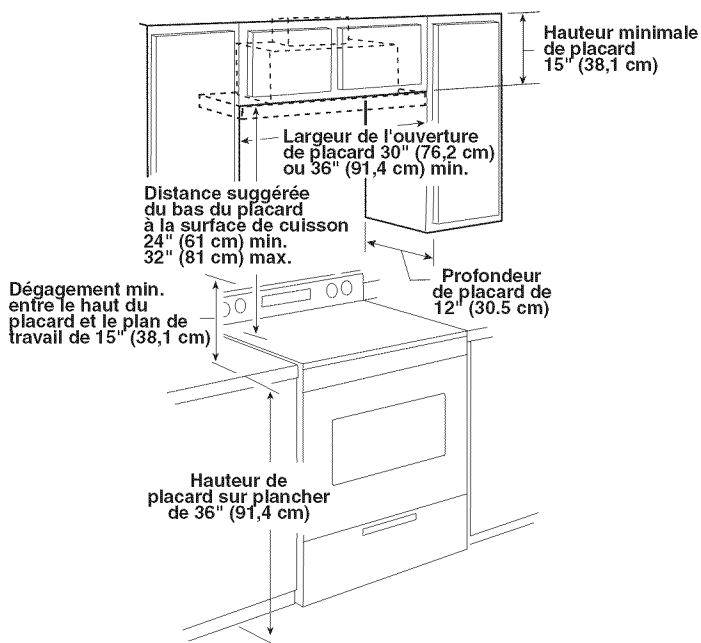
L'installation de cette hotte doit satisfaire aux exigences de la norme Manufactured Home Construction Safety Standards, Titre 24 CFR, partie 328 (anciennement Federal Standard for Mobile Home Construction and Safety, titre 24, HUD, partie 280); lorsque cette norme n'est pas applicable, l'installation doit satisfaire aux critères de la plus récente édition de la norme Manufactured Home Installation 1982 (Manufactured Home Sites, Communities and Setups) ANSI A225.1/NFPA 501A\*, ou des codes locaux.

†TORX est une marque déposée de Saturn Fasteners, Inc.

## Dimensions du produit



## Dimensions du placard



## Exigences concernant l'évacuation

(modèles avec décharge à l'extérieur uniquement)

- Le circuit d'évacuation doit décharger l'air à l'extérieur, excepté pour les installations sans décharge à l'extérieur (recyclage).
- Ne pas terminer le circuit d'évacuation dans un grenier ou dans un autre espace clos.
- Ne pas utiliser une bouche de décharge murale de 4" (10,2 cm) normalement utilisée pour un équipement de buanderie.
- Utiliser un conduit métallique uniquement. Un conduit en métal rigide est recommandé. Ne pas utiliser de conduit de plastique ou en aluminium.
- La longueur du conduit de décharge et le nombre de coudes doivent être réduits au minimum pour fournir la meilleure performance.

### Pour un fonctionnement efficace et silencieux :

- Ne pas utiliser plus de trois coudes à 90°.
- Veiller à ce qu'il y ait une section droite de conduit d'un minimum de 24" (61 cm) entre les raccords coudés, si on doit en utiliser plus d'un.
- Ne pas installer 2 coudes successifs.
- Le circuit d'évacuation doit comporter un clapet anti-reflux. Si la bouche de décharge murale ou par le toit comporte un clapet anti-reflux, ne pas utiliser le clapet fourni avec la hotte de cuisinière.
- Au niveau de chaque jointure du circuit d'évacuation, assurer l'étanchéité avec les brides de serrage.
- À l'aide d'un produit de calfeutrage, assurer l'étanchéité autour de la bouche de décharge à l'extérieur (à travers le mur ou le toit).
- La taille du conduit doit être uniforme.

## Installations pour régions à climat froid

On doit installer un clapet anti-retour supplémentaire à l'arrière pour minimiser le reflux d'air froid et incorporer un élément d'isolation thermique pour minimiser la conduction de chaleur par l'intermédiaire du conduit d'évacuation, de l'intérieur de la maison à l'extérieur. Le clapet anti-retour doit être placé du côté air froid de la résistance thermique.

L'élément d'isolation thermique doit être aussi proche que possible de l'endroit où le circuit d'évacuation s'introduit dans la partie chauffée de la maison.

## Air d'appoint

Les codes du bâtiment locaux peuvent exiger l'emploi d'un système de renouvellement de l'air/introduction d'air d'appoint, lors de l'utilisation d'un système d'aspiration de débit supérieur à une valeur (pieds cubes par minute) spécifiée. Le débit spécifié en pieds cubes par minute varie d'une juridiction à l'autre. Consulter un professionnel des installations de chauffage ventilation/climatisation au sujet des exigences spécifiques applicables dans la juridiction locale.

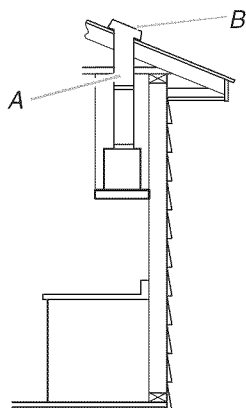
## Méthodes d'évacuation

Cette hotte a été configurée à l'usine pour la décharge à travers le toit ou à travers le mur.

Le système de décharge requis pour l'installation n'est pas fourni.

Un circuit d'évacuation avec conduit circulaire de 6" (15,2 cm) est recommandé.

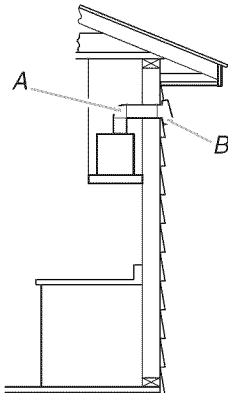
### Décharge à travers le toit



A. Conduit de dia. 6" (15,2 cm) pour décharge à travers le toit

B. Bouche de décharge sur toit

### Évacuation par le mur



A. Conduit de dia. 6" (15,2 cm) pour décharge à travers le mur

B. Bouche de décharge murale

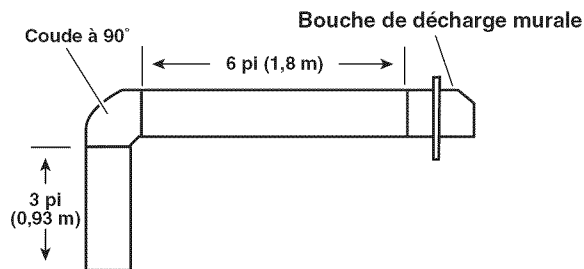
## Calcul de la longueur effective du circuit d'évacuation

Pour la réalisation du circuit d'évacuation, on recommande un conduit de 6" (15,2 cm) de diamètre avec une longueur maximale de 35 pi (10,7 m). Pour une performance optimale, ne pas utiliser plus de trois coudes à 90°.

Pour calculer la longueur effective du circuit d'évacuation nécessaire, additionner les longueurs équivalentes (en pieds/mètres) de tous les composants utilisés dans le circuit.

Composant	6" (15,2 cm)	
Coude à 45°	2,5 pi (0,8 m)	
Coude à 90°	5,0 pi (1,5 m)	

## Exemple de circuit d'évacuation - 6" (15,2 cm)



Longueur maximum = 35 pi (10,7 m)

1 - coude à 90° = 5 pi (1,5 m)

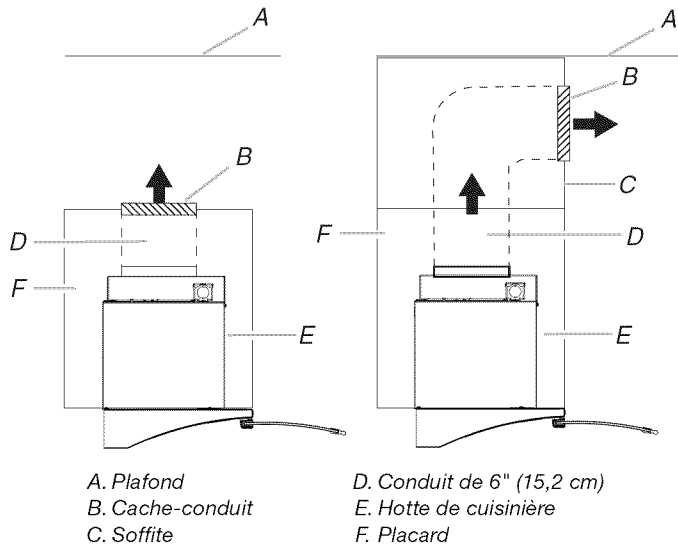
1 bouche de décharge murale = 0 pi (0 m)

section droite de 9 pi = 9 pi (2,8 m)  
(2,8 m)

Longueur totale = 14 pi (4,3 m)

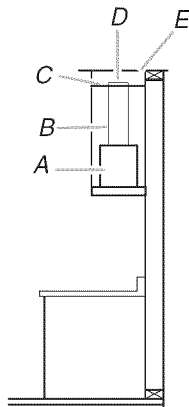
## Installation sans décharge à l'extérieur (recyclage) à travers le soffite/placard

S'il n'est pas possible d'évacuer les fumées et vapeurs de cuisson à l'extérieur, on peut employer la version sans décharge à l'extérieur (recyclage) de la hotte, dotée d'un filtre à charbon. L'ensemble de recyclage (pièce numéro W10356918) est disponible chez votre marchand ou chez un distributeur de pièces autorisé. L'installation d'un clapet anti-reflux n'est pas nécessaire.



A. Plafond  
B. Cache-conduit  
C. Soffite

D. Conduit de 6" (15,2 cm)  
E. Hotte de cuisinière  
F. Placard



A. Hotte de cuisinière  
B. Circuit d'évacuation  
C. Dessus du placard

D. Couvercle du conduit d'évacuation  
E. Plafond ou soffite

## Spécifications électriques

Observer les dispositions de tous les codes et règlements en vigueur.

Vérifier que l'installation électrique a été correctement effectuée et qu'elle est conforme aux spécifications de la plus récente édition des normes National Electrical Code, ANSI/NFPA 70, ou de la norme CSA C22.1-94, Code canadien de l'électricité, partie 1 et C22.2 N° 0-M91 (dernière édition) et de tous les codes et règlements en vigueur locaux.

Si les codes le permettent et si on utilise un conducteur distinct de liaison à la terre, il est recommandé qu'un électricien qualifié vérifie la qualité de la liaison à la terre.

Pour obtenir un exemplaire de la norme des codes ci-dessus, contacter :

National Fire Protection Association  
One Batterymarch Park  
Quincy, MA 02269  
CSA International  
8501 East Pleasant Valley Road  
Cleveland, OH 44131-5575

- L'appareil doit être alimenté par un circuit de 120 V, CA seulement, 60 Hz, 15 A, protégé par fusible.
- Si le domicile est équipé d'un câblage en aluminium, suivre les instructions suivantes :

1. Connecter une section de câble en cuivre massif aux conducteurs en queue de cochon.
2. Connecter le câblage en aluminium à la section ajoutée de câblage en cuivre en utilisant des connecteurs et/ou des outils spécialement conçus et homologués UL pour fixer le cuivre à l'aluminium.

Appliquer la procédure recommandée par le fabricant des connecteurs. La connexion aluminium/cuivre doit être conforme aux codes locaux et aux pratiques de câblage acceptées par l'industrie.

- Le calibre des conducteurs et les connexions doivent être compatibles avec la demande de courant de l'appareil spécifiée sur la plaque signalétique. La plaque signalétique de l'appareil est située derrière le filtre, sur la paroi arrière de la hotte.
- Le calibre des conducteurs doit satisfaire aux exigences de la plus récente édition de la norme National Electrical Code, ANSI/NFPA 70, ou de la norme CSA C22.1-94, Code canadien de l'électricité, partie 1 et C22.2 n° 0-M91 (dernière édition) et de tous les codes et règlements en vigueur.

# INSTRUCTIONS D'INSTALLATION

## Préparation de l'emplacement

- Il est recommandé que l'installation du circuit d'évacuation soit réalisée avant celle de la hotte.
- Avant de procéder aux découpes, vérifier que les distances de séparation pour les raccords dans les cavités du plafond ou du mur sont adéquates.

1. Déconnecter la source de courant électrique.
2. Déterminer la méthode d'évacuation à utiliser : décharge à travers le mur ou le toit, ou recyclage.
3. Sélectionner une surface plane pour l'assemblage de la hotte. Placer le matériau de protection sur cette surface.

## **AVERTISSEMENT**

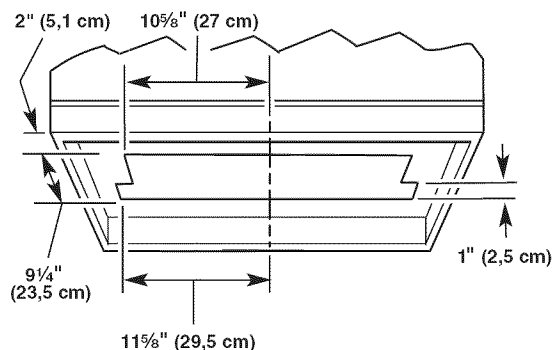
### Risque du poids excessif

Utiliser deux ou plus de personnes pour déplacer et installer la hotte de la cuisinière.

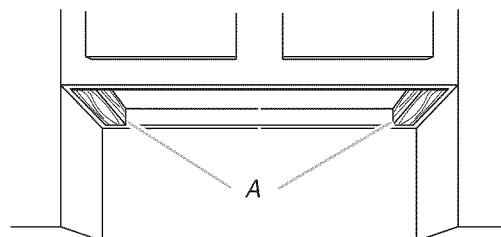
Le non-respect de cette instruction peut causer une blessure au dos ou d'autre blessure.

4. À l'aide de deux personnes ou plus, soulever la hotte et la poser sur la surface couverte.

3. Relever les mesures appropriées et tracer les axes tel qu'indiqué. Utiliser une scie sauteuse ou scie à guichet pour découper l'ouverture à travers le fond du placard.



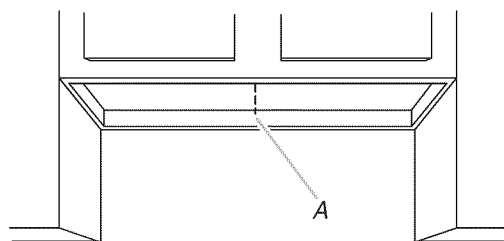
4. Si le fond du placard forme une cavité au-dessus d'un cadre de support, on devra installer des tringles d'appui en bois à droite et à gauche de l'ouverture découpée afin de laisser suffisamment d'espace pour pouvoir manœuvrer l'élément coulissant. Les cales en bois doivent être en affleurement ou en retrait de  $\frac{1}{16}$ " (1,6 mm) à  $\frac{1}{8}$ " (3,2 mm) par rapport au fond du cadre de support.



A. Tringles d'appui en bois

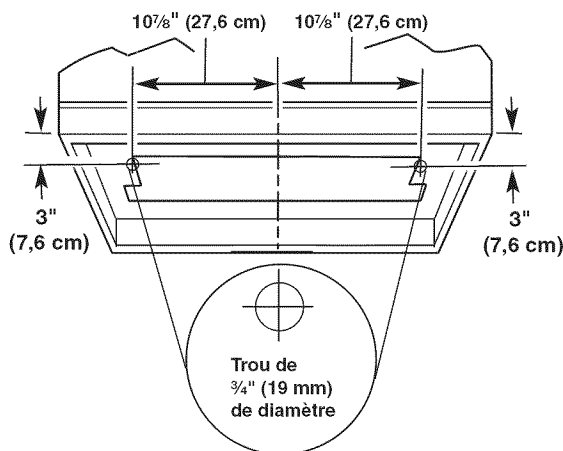
## Ouverture découpée du placard pour la hotte

1. Repérer et tracer clairement l'axe central sur la face inférieure du placard.



A. Axe central

2. Relever les mesures appropriées et tracer les axes centraux pour les trous de  $\frac{3}{4}$ " (1,9 cm), tel qu'illustré. À l'aide d'un foret de  $\frac{3}{4}$ ", percer les 2 trous aux emplacements indiqués.

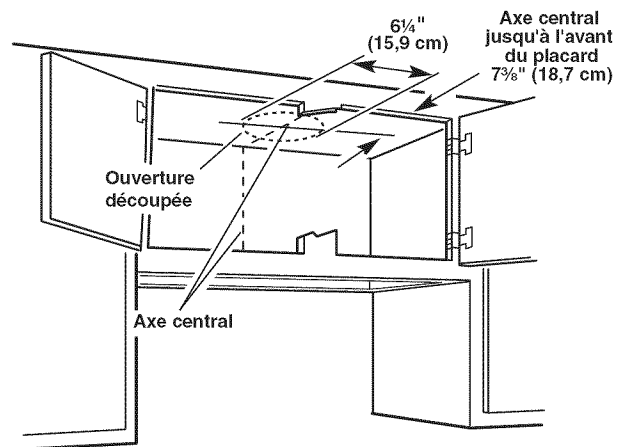


5. Terminer la préparation du placard conformément aux instructions, selon le type d'installation.

## Décharge à l'extérieur, à travers le toit

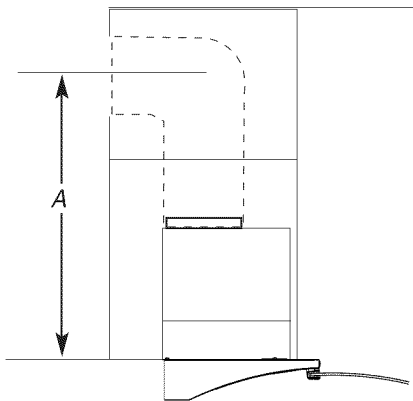
Relever les mesures appropriées et tracer les lignes indiquées sur l'illustration. Utiliser une scie sauteuse ou une scie à guichet pour découper une ouverture circulaire à travers le sommet du placard et le toit pour l'évacuation.

Passer à l'étape 6.



## Décharge à l'extérieur, à travers le mur

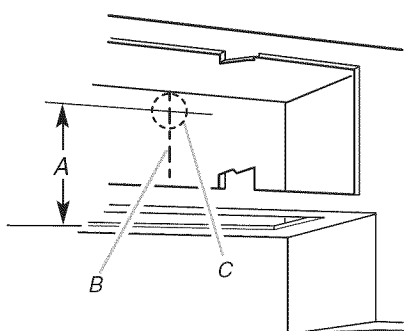
Assembler le circuit d'évacuation qui sera utilisé sur l'ouverture de décharge. Ne pas raccorder le circuit d'évacuation à la hotte tout de suite. Mesurer la distance entre le sommet du logement du filtre et l'axe central horizontal de l'ouverture d'évacuation (A). Enlever le conduit d'évacuation.



A. Mesure A

Reporter la dimension A sur la paroi arrière du placard. Mesurer depuis la face inférieure du placard, ou la face inférieure des tringles d'appui en bois, le cas échéant. Marquer le périmètre de l'ouverture à découper – voir l'illustration. Utiliser une scie sauteuse ou une scie à guichet pour découper une ouverture circulaire à travers l'arrière du placard et le mur extérieur pour l'évacuation.

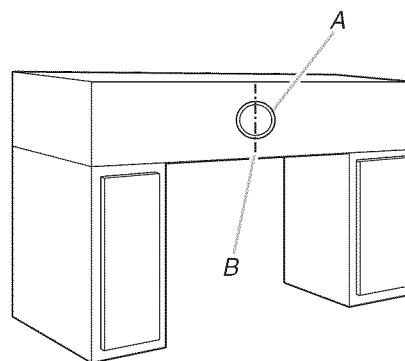
Passer à l'étape 6.



A. Mesure A  
B. Axe central  
C. Ouverture découpée circulaire de 6¼" (15,9 cm)

## Installation sans décharge à l'extérieur (recyclage) à travers le soffite/placard

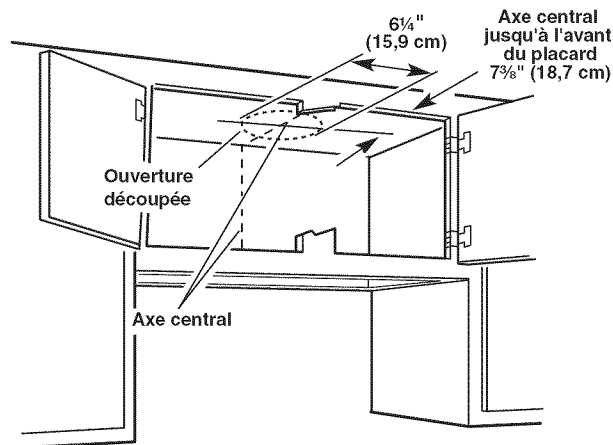
Relever les mesures appropriées et tracer une ouverture circulaire à découper dans le soffite en employant la méthode décrite pour la décharge à travers le mur. Relever les mesures appropriées et tracer l'axe central sur le soffite au-dessus de la zone de la hotte.



A. Couverture du conduit d'évacuation  
B. Axe central

Relever les mesures appropriées et tracer les lignes indiquées sur l'illustration. Utiliser une scie sauteuse ou scie à guichet pour découper une ouverture circulaire pour le passage du conduit d'évacuation.

L'air aspiré par la hotte peut être déchargé à l'intérieur, à travers le sommet du placard.



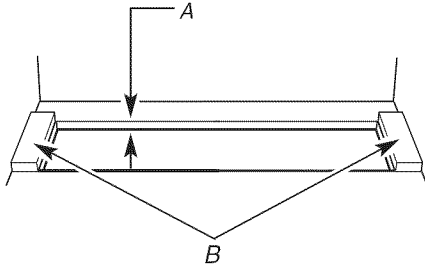
Pour une installation sans décharge à l'extérieur (recyclage), l'installation de filtres à charbon est nécessaire. Voir la section "Entretien de la hotte" pour des instructions sur l'installation de filtres à charbon.

On doit utiliser l'ensemble de recyclage pièce numéro W10356918.

6. Installer le circuit d'évacuation selon la méthode requise. Utiliser un calfeutrant pour assurer l'étanchéité au point de traversée du mur extérieur ou du toit.
7. Acheminer le câblage à travers le mur ou le placard; veiller à respecter les prescriptions du Code de l'électricité et de tous les codes et règlements locaux. Utiliser un calfeutrant pour assurer l'étanchéité au point de traversée du câblage.

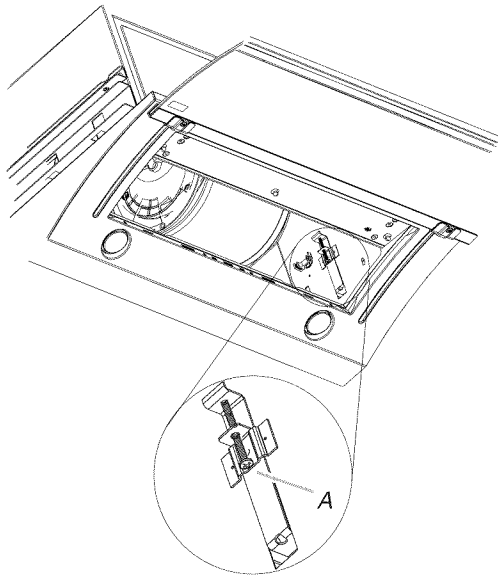


8. Mesurer l'épaisseur du plancher du placard, en incluant les cales en bois si celles-ci sont utilisées. Si l'épaisseur est inférieure à  $\frac{3}{4}$ " (1,9 cm), installer des cales en bois d'une longueur minimale de 5" (12,7 cm) contre le fond du placard. Le support de montage peut être ajusté entre  $\frac{3}{4}$ " (1,9 cm) et  $1\frac{1}{2}$ " (3,8 cm) pour la prise en compte des cales en bois.



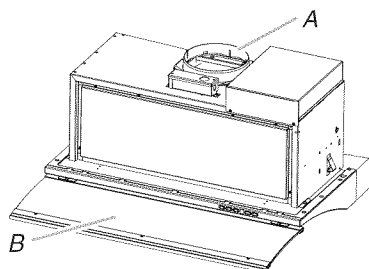
A. Moins de  $\frac{1}{2}$ " (12,7 mm)  
B. Cales en bois (épaisseur en fonction des exigences)

9. Les supports à ressort sont installés à l'usine afin de convenir à une épaisseur entre de 1" (2,5 cm). Les supports peuvent être relevés pour des placards plus épais (ou abaissés pour des placards moins épais) en tournant la vis T10 TORX® de chaque côté de la hotte.



A. Vis T10 TORX®

10. Placer le clapet circulaire dans l'ouverture d'évacuation de la hotte et fixer le tout avec 2 vis TORX® de 9 x 9,5 mm.



A. Clapet anti-reflux  
B. Élément coulissant de la hotte de cuisinière

**REMARQUE :** Pour certaines configurations d'installation sans décharge à l'extérieur (recyclage), il peut être plus facile de fixer le circuit d'évacuation à la hotte avant de soulever la hotte jusqu'à son emplacement final. Serrer le point de connexion avec des brides.

## Installation de la hotte

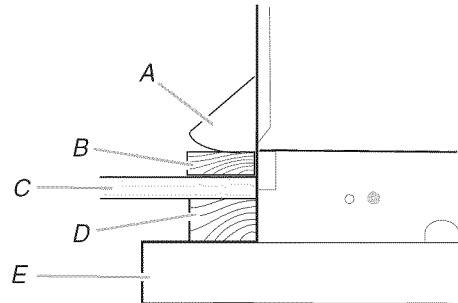
### ⚠ AVERTISSEMENT

#### Risque du poids excessif

Utiliser deux ou plus de personnes pour déplacer et installer la hotte de la cuisinière.

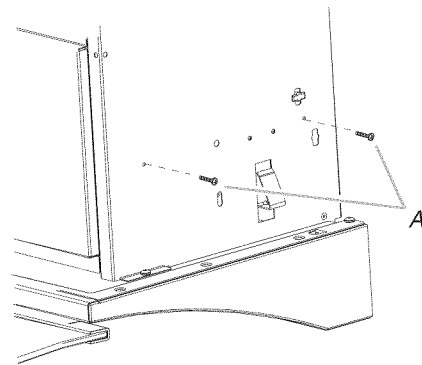
Le non-respect de cette instruction peut causer une blessure au dos ou d'autre blessure.

1. À l'aide d'au moins deux personnes, soulever la hotte et la placer à son emplacement final. (Le câblage et le boîtier de connexion doivent se trouver au-dessus de la hotte).
2. Les brides de montage doivent chevaucher le fond du placard ou les tringles d'appui en bois.
3. Centrer la hotte.



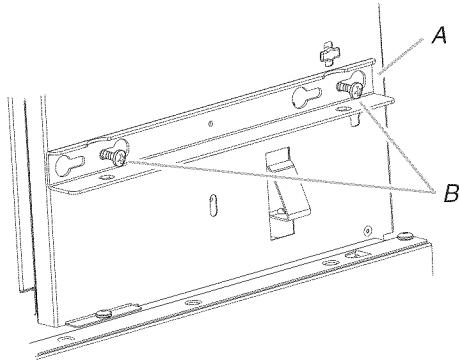
A. Bride de montage  
B. Tringle d'appui en bois facultative  
C. Fond du placard  
D. Tringle d'appui en bois facultative pour placard encastré  
E. Hotte coulissante

4. Installer 2 vis de montage de 3,5 x 9,5 mm. Laisser un espace d'environ  $\frac{1}{4}$ " (0,6 cm) entre les têtes des vis et la hotte pour installer les supports en les faisant glisser.



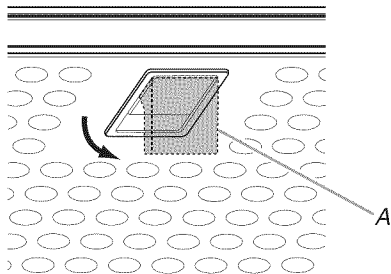
A. Vis de montage de 3,5 x 9,5 mm

5. Placer un support supérieur de façon à ce que la partie large des encoches en forme de trou de serrure se trouve par-dessus les vis de montage. Pousser ensuite le support vers l'arrière de la hotte pour engager les vis dans la partie étroite des encoches. Serrer les vis de montage en s'assurant qu'elles se trouvent dans la partie étroite des encoches.



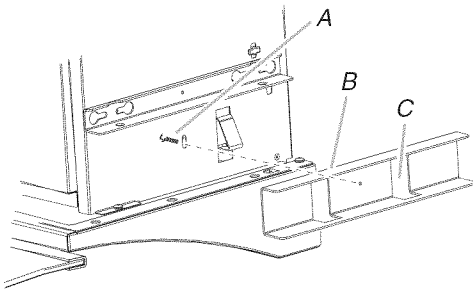
A. Support supérieur  
B. Vis de montage

6. Retirer le filtre à graisse en tirant sur la poignée à ressort puis en tirant le filtre vers le bas.



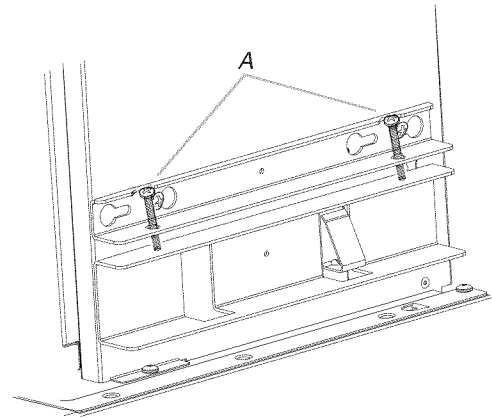
A. Poignée à ressort

7. Installer un support inférieur avec une vis de 3,5 x 9,5 mm. Veiller à positionner l'encoche de support tel qu'illustré.



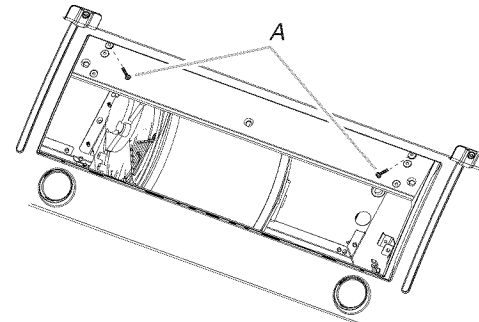
A. Vis de montage de 3,5 x 9,5 mm  
B. Support inférieur  
C. L'encoche de support

8. Installer 2 vis de réglage de 5 x 18 mm.



A. Vis de nivellement de 5 x 18 mm

9. Placer un niveau d'un côté du sommet de la hotte et vérifier l'aplomb de la hotte dans le sens avant/arrière.  
10. Ajuster les vis de réglage de façon à ce que la hotte soit d'aplomb d'avant en arrière. Répéter l'opération pour l'autre côté.  
11. Percer 2 avant-trous de 1/8" (3 mm) et installer 2 vis à bois de 4,5 x 16 mm pour fixer l'avant de la hotte au bas du placard.



A. Vis à bois de 4,5 x 16 mm

## Raccordement électrique

### ⚠ AVERTISSEMENT



#### Risque de choc électrique

**Déconnecter la source de courant électrique avant l'entretien.**

**Replacer pièces et panneaux avant de faire la remise en marche.**

**Le non-respect de ces instructions peut causer un décès ou un choc électrique.**

1. Déconnecter la source de courant électrique.
2. Ôter le couvercle de la boîte de connexion.
3. Ôter l'opercule arrachable de la partie supérieure du boîtier de connexion et installer un serre-câble de 1/2" (1,3 cm) (homologation UL ou CSA).

## **AVERTISSEMENT**



### **Risque d'incendie**

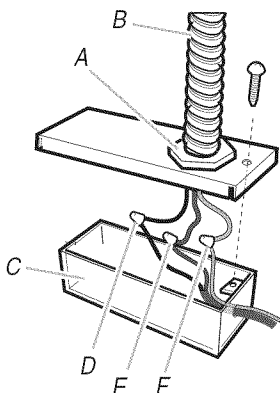
**Relier le ventilateur à la terre.**

**Utiliser du fil en cuivre.**

**Brancher le fil relié à la terre à la vis verte reliée à la terre dans la boîte de la borne.**

**Le non-respect de ces instructions peut causer un décès, un incendie ou un choc électrique.**

4. Tirer le câble d'alimentation du domicile à travers le serre-câble, jusque dans le boîtier de connexion.
5. Connecter ensemble les conducteurs noirs (D) à l'aide de connecteurs de fils (homologation UL).
6. Connecter ensemble les conducteurs blancs (A) à l'aide de connecteurs de fils (homologation UL).



A. Serre-câble (homologation UL ou CSA)

B. Câble d'alimentation électrique du domicile

C. Boîtier de connexion

D. Conducteurs noirs

E. Conducteur vert (ou nu) connecté au conducteur jaune/vert

F. Connecteurs blancs

7. À l'aide de connecteurs de fils homologués UL, connecter le conducteur de liaison à la terre (vert ou nu) du câble d'alimentation du domicile à la vis verte de liaison à la terre située dans le boîtier de connexion de la hotte.
8. Serrer la vis du serre-câble.
9. Installer le couvercle du boîtier de connexion.

**REMARQUE :** Ne pas mettre le système sous tension avant d'avoir complètement terminé l'installation.

## Raccordement du circuit d'évacuation

### Installations avec décharge à l'extérieur

1. Réinstaller les filtres métalliques. Voir la section "Entretien de la hotte".
2. Connecter le circuit d'évacuation sur l'ouverture de décharge de la hotte. Serrer le point de connexion avec des brides.
3. Reconnecter la source de courant électrique.
4. Contrôler le fonctionnement du ventilateur de la hotte et de la lampe.
5. Remettre l'élément coulissant de la hotte de cuisinière en place.

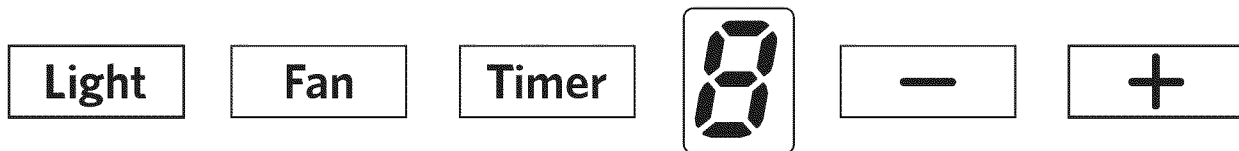
### Installation sans décharge à l'extérieur (recyclage)

1. Connecter le circuit d'évacuation sur l'ouverture de décharge de la hotte. Serrer le point de connexion avec des brides.
2. Installer les filtres à charbon. Voir la section "Entretien de la hotte".
3. Réinstaller les filtres à graisse métalliques. Voir la section "Entretien de la hotte".
4. Reconnecter la source de courant électrique.
5. Contrôler le fonctionnement du ventilateur de la hotte et de la lampe.
6. Remettre l'élément coulissant de la hotte de cuisinière en place.

Pour commander des ensembles de rechange, voir la section "Assistance ou service".

# UTILISATION DE LA HOTTE

La hotte de cuisinière est conçue pour extraire fumée, vapeurs de cuisson et odeurs de la zone de la table de cuisson. Pour des résultats optimaux, mettre la hotte en marche avant d'entreprendre une cuisson, et la laisser fonctionner pendant plusieurs minutes après une cuisson afin d'évacuer toute odeur de cuisson et fumée de la cuisine.



## Dispositifs de commande

### Commande du ventilateur

#### Fonctionnement du ventilateur

1. Faire glisser l'élément coulissant de la hotte vers l'avant.  
**REMARQUE :** Lorsque l'écran est ouvert, le ventilateur fonctionne au réglage auquel le commutateur était placé lorsque l'écran a été fermé pour la dernière fois. Le ventilateur s'éteint lorsque l'élément coulissant se trouve à environ 1" (2,5 cm) de sa position de fermeture.
2. Pour activer le ventilateur, appuyer sur FAN (ventilateur) puis appuyer sur le bouton "+" jusqu'à ce que l'on obtienne la vitesse souhaitée : 1 (Faible), 2 (Moyenne), 3 (Élevée), P (Optimisation de puissance).  
**REMARQUE :** La vitesse d'optimisation de puissance (P) reste activée pendant 5 minutes. Après 5 minutes, le ventilateur passe automatiquement à la vitesse 2 (Moyenne).
3. Pour éteindre le ventilateur, appuyer sur FAN (ventilateur) ou fermer l'écran.  
**REMARQUE :** Le ventilateur s'éteint lorsque l'élément coulissant se trouve à environ 1" (2,5 cm) de sa position de fermeture. Lorsque l'écran est ouvert, le ventilateur fonctionne à la vitesse correspondant au dernier réglage.

### Commande d'éclairage

#### Fonctionnement des lampes

1. Pour allumer les lampes, appuyer une fois sur LIGHT (lumière). Les lampes s'allument au réglage faible. Appuyer une seconde fois sur LIGHT pour faire passer les lampes à la position élevée.
2. Pour éteindre les lampes, appuyer une troisième fois sur LIGHT ou fermer l'écran.  
**REMARQUE :** Les lampes s'éteignent lorsque l'écran se trouve à environ 1" (2,5 cm) de sa position de fermeture. Lorsque l'écran est ouvert, les lampes fonctionnent au dernier réglage sélectionné.

### Commande de minuterie

#### Fonctionnement de la minuterie

Pour activer la minuterie alors que le ventilateur est activé, appuyer sur TIMER (minuterie). Une DEL commence à clignoter sur la partie inférieure de l'affichage.

Cette fonction fait fonctionner le ventilateur d'évacuation pour une durée spécifique :

- 20 minutes si l'on sélectionne la vitesse 1 (faible).
- 15 minutes si l'on sélectionne la vitesse 2 (moyenne).
- 10 minutes si l'on sélectionne la vitesse 3 (élevée).
- 5 minutes si l'on sélectionne la vitesse P (optimisation puissance).

Une fois la durée écoulée, le ventilateur de la hotte s'éteint automatiquement.

## Affichage

### Alarme de saturation du filtre à graisse

Après 30 heures de fonctionnement du ventilateur, l'affichage indique "F" lorsque le ventilateur est activé. Lorsque cette icône apparaît sur l'affichage, les filtres à graisse installés doivent être lavés. Voir la section "Entretien de la hotte".

- Pour réinitialiser l'alarme de saturation du filtre à graisse, appuyer sur le bouton FAN (ventilateur) pendant 3 secondes. L'icône "F" disparaît de l'affichage.

### Alarme de saturation du filtre à charbon

Après 120 heures de fonctionnement du ventilateur, l'affichage indique "C" lorsque le ventilateur est activé. Lorsque cette icône apparaît sur l'affichage, les filtres à charbon doivent être lavés. Voir la section "Entretien de la hotte".

- Pour réinitialiser l'alarme de saturation du filtre à charbon, appuyer sur FAN (ventilateur) pendant 3 secondes. "C" disparaît de l'affichage.

### Accessoire de recirculation du filtre à charbon

Lorsque le filtre à charbon est en cours d'utilisation (mode recyclage) appuyer sur les boutons "+" et "-" en même temps pendant 3 secondes. "F" apparaît sur l'affichage pendant 3 secondes, suivi d'un "C".

Lorsque le filtre à charbon n'est pas utilisé (mode recyclage), appuyer sur les boutons "+" et "-" en même temps pendant 3 secondes. "F" apparaît sur l'affichage pendant 3 secondes.

Lorsque le filtre à charbon n'est pas utilisé, l'alarme de filtre à charbon est désactivée.

# ENTRETIEN DE LA HOTTE

## Nettoyage

**IMPORTANT :** Nettoyer fréquemment la hotte et le filtre à graisse en suivant les instructions suivantes. Réinstaller le filtre à graisse avant de faire fonctionner la hotte.

Avant d'entreprendre le nettoyage de la hotte, attendre le refroidissement de la lampe.

### Surfaces externes

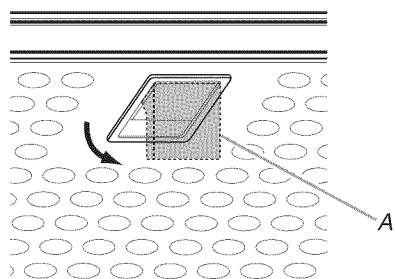
Nettoyer la hotte avec un détergent doux et un chiffon doux. Afin d'éviter d'endommager la surface externe, ne pas utiliser de nettoyeurs abrasifs ou de tampons en laine d'acier.

### Filtre à graisse métallique

Le filtre doit être lavé fréquemment. Placer le filtre métallique dans le lave-vaisselle ou dans une solution de détergent chaude pour le nettoyage. Laisser sécher le filtre complètement avant de le remplacer.

Éteindre le ventilateur et les lampes. Laisser les ampoules à halogène refroidir.

1. Retirer le filtre en tirant sur la poignée à ressort puis en tirant le filtre vers le bas..



A. Poignée à ressort

2. Laver le filtre métallique si nécessaire au lave-vaisselle ou dans une solution de détergent chaude.
3. Réinstaller le filtre en s'assurant que la poignée à ressort est orientée vers l'avant. Insérer le filtre à graisse métallique dans la rainure supérieure.
4. Tirer vers le bas sur la poignée à ressort.
5. Pousser le filtre métallique vers le haut et relâcher la poignée pour l'emboîter.

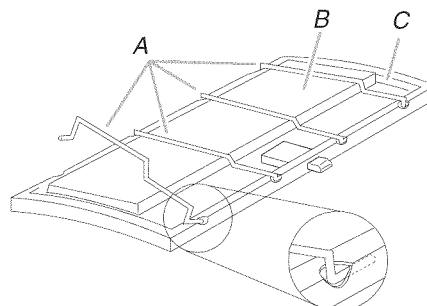
### Filtre à charbon – Installations sans décharge à l'extérieur (recyclage)

**REMARQUE :** Le filtre à charbon doit être remplacé après environ 3 ans d'utilisation. Pour commander un ensemble de filtre à charbon de rechange, voir la section "Assistance ou service".

On peut nettoyer et réactiver le filtre à charbon. Nettoyer le filtre au lave-vaisselle avec un détergent normal, en sélectionnant le réglage de température le plus élevé. Pour la réactivation du filtre, faire sécher le filtre dans un four pendant 10 minutes à une température maximale à 210°F (100°C).

### Installation du filtre à charbon

1. Pour les installations sans décharge à l'extérieur (recyclage), installer le filtre à charbon sur la partie arrière du filtre à graisse métallique.
2. Installer le filtre à charbon à l'aide des supports métalliques fournis.



A. Supports métalliques  
B. Filtre à charbon  
C. Filtre à graisse métallique

3. Réinstaller le filtre dans la hotte.

### Remplacement du filtre à charbon

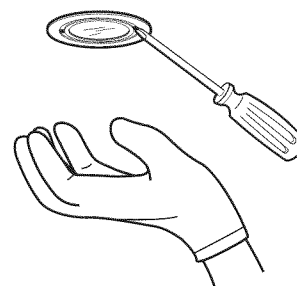
1. Éteindre le ventilateur et les lampes. Vérifier que les ampoules à halogène sont froides.
2. Ôter le filtre à graisse métallique. Voir la section "Filtre à graisse métallique".
3. Retirer les supports, puis le filtre à charbon.
4. Nettoyer ou jeter le filtre à charbon.
5. Installer le filtre nettoyé ou le filtre de rechange.

### Remplacement de l'ampoule à halogène

Éteindre la hotte et attendre le refroidissement des ampoules à halogène. Pour éviter d'endommager ou de réduire la longévité de l'ampoule neuve, ne pas toucher l'ampoule avec les doigts nus. Remplacer l'ampoule en la manipulant avec un mouchoir de papier ou des gants de coton.

Si les nouvelles ampoules ne fonctionnent pas, vérifier que chaque ampoule est correctement insérée dans sa douille avant de demander l'intervention d'un dépanneur.

1. Déconnecter la source de courant électrique.
2. À l'aide d'un tournevis à lame plate, dégager l'ampoule avec précaution.

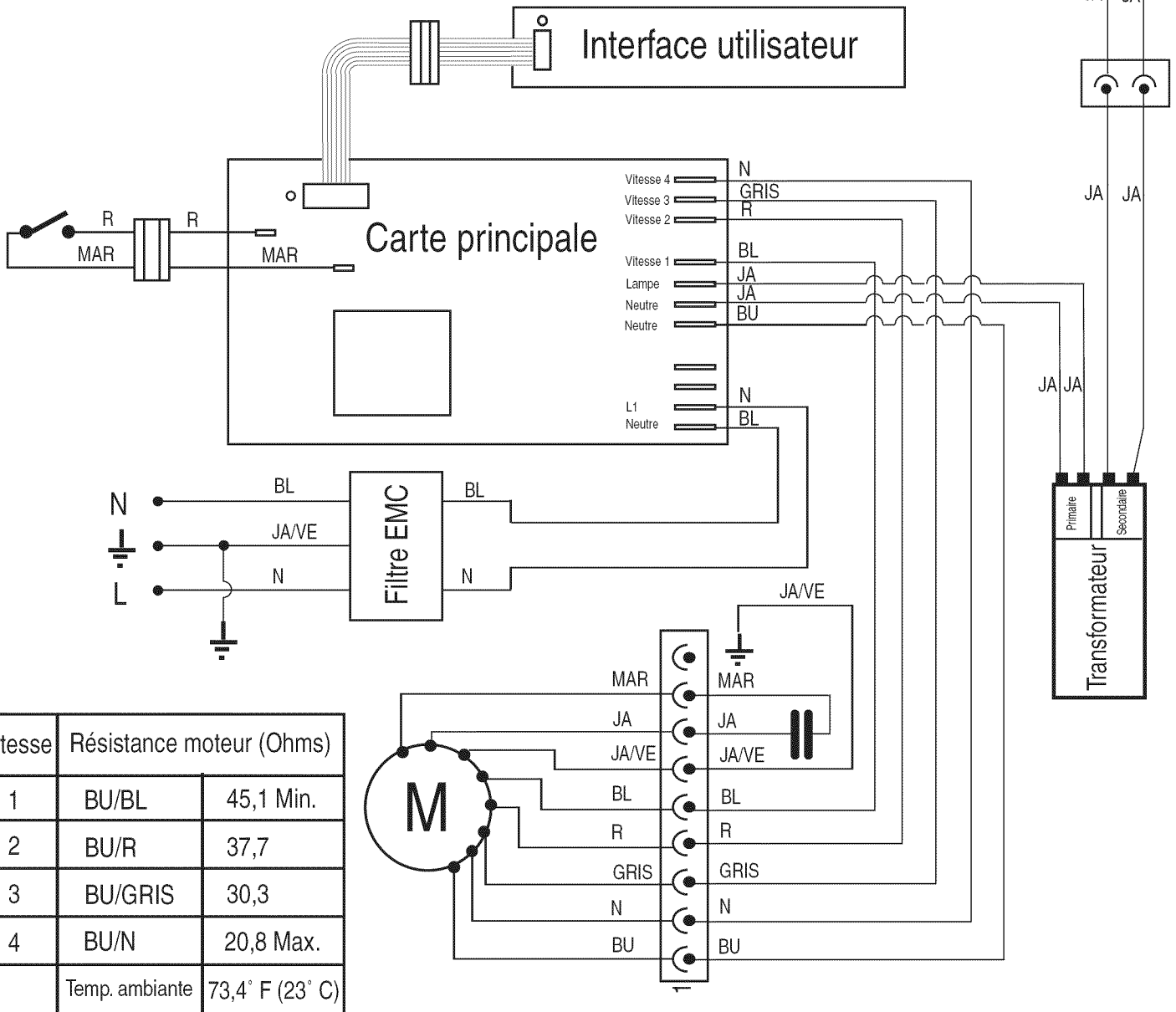
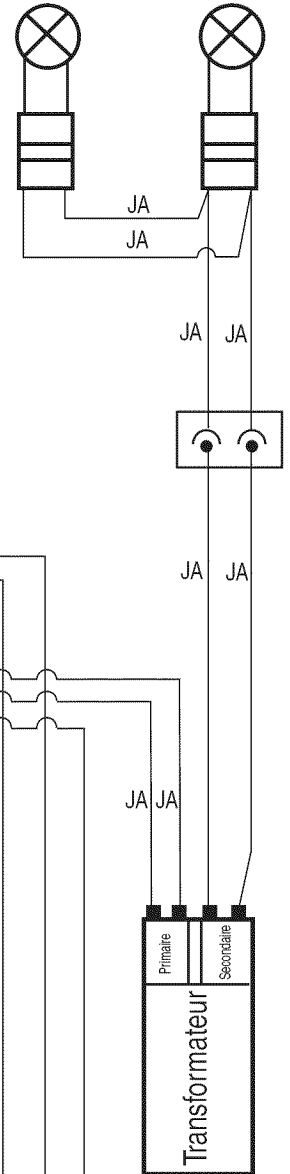


3. Installer une ampoule à halogène de 12 V (maximum 20 watts) avec culot GU-4.
4. Reconnecter la source de courant électrique.

# SCHÉMAS DE CÂBLAGE

## SEL0015013

Caractéristiques de moteur	
Alimentation électrique	120 V
Fréquence	60 Hz
Puissance absorbée	230 W



Vitesse	Résistance moteur (Ohms)	
1	BU/BL	45,1 Min.
2	BU/R	37,7
3	BU/GRIS	30,3
4	BU/N	20,8 Max.
	Temp. ambiante	73,4° F (23° C)

---

# ASSISTANCE OU SERVICE

Lors d'un appel pour assistance ou service, veuillez connaître la date d'achat, le numéro de modèle et le numéro de série complets de l'appareil. Ces renseignements nous aideront à mieux répondre à votre demande.

## Si vous avez besoin de pièces de rechange

Si vous avez besoin de commander des pièces de rechange, nous vous recommandons d'employer uniquement les pièces spécifiées par l'usine. Les pièces spécifiées par l'usine conviendront et fonctionneront bien parce qu'elles sont fabriquées avec la même précision utilisée dans la fabrication de chaque nouvel appareil. Pour localiser les pièces spécifiées par l'usine, dans votre région, nous appelons ou téléphonons au centre de service désigné le plus proche.

---

## Au Canada

Veuillez appeler sans frais le Centre pour l'expérience de la clientèle de KitchenAid Canada au : **1-800-807-6777**.

### Nos consultants vous renseigneront sur les sujets suivants :

- Caractéristiques et spécifications sur toute notre gamme d'appareils électroménagers.
- Consignes d'utilisation et d'entretien.
- Vente d'accessoires et de pièces de rechange.
- Références aux marchands locaux, aux distributeurs de pièces de rechange et aux compagnies de service. Les techniciens de service désignés par KitchenAid Canada sont formés pour remplir la garantie des produits et fournir un service après la garantie, partout au Canada.

## Pour plus d'assistance

Si vous avez besoin de plus d'assistance, vous pouvez soumettre par écrit toute question ou préoccupation à KitchenAid Canada à l'adresse suivante :

Centre pour l'expérience de la clientèle  
KitchenAid Canada  
200 - 6750 Century Ave.  
Mississauga, Ontario L5N 0B7

Veuillez inclure dans votre correspondance un numéro de téléphone où l'on peut vous joindre dans la journée.

---

## Accessoires

### Ensemble de recyclage

(pour installations sans décharge à l'extérieur uniquement)

Commander la pièce numéro W10356918

### Filtres à charbon de rechange

(pour installations sans décharge à l'extérieur uniquement)

Commander la pièce numéro W10356922

# GARANTIE DU SYSTÈME DE VENTILATION KITCHENAID®

## GARANTIE LIMITÉE

Pendant un an à compter de la date d'achat, lorsque ce gros appareil ménager est utilisé et entretenu conformément aux instructions jointes à ou fournies avec le produit, la marque KitchenAid de Whirlpool Corporation ou Whirlpool Canada LP (ci-après désignées "KitchenAid") paiera pour les pièces spécifiées par l'usine et la main-d'œuvre pour corriger les vices de matériaux ou de fabrication. Le service doit être fourni par une compagnie de service désignée par KitchenAid. Cette garantie limitée est valide uniquement aux États-Unis ou au Canada et s'applique exclusivement lorsque l'appareil est utilisé dans le pays où il a été acheté. À l'extérieur du Canada et des 50 États des États-Unis, cette garantie limitée ne s'applique pas. Une preuve de la date d'achat original est exigée pour obtenir un service dans le cadre de la présente garantie limitée.

## ARTICLES EXCLUS DE LA GARANTIE

La présente garantie limitée ne couvre pas :

1. Les visites de service pour rectifier l'installation du gros appareil ménager, montrer à l'utilisateur comment utiliser l'appareil, remplacer ou réparer des fusibles ou rectifier le câblage ou la plomberie du domicile.
2. Les visites de service pour réparer ou remplacer les ampoules électriques de l'appareil, les filtres à air ou les filtres à eau. Les pièces consommables ne sont pas couvertes par la garantie.
3. Les réparations lorsque le gros appareil ménager est utilisé à des fins autres que l'usage unifamilial normal ou lorsque les instructions d'installation et/ou les instructions de l'opérateur ou de l'utilisateur fournies ne sont pas respectées.
4. Les dommages imputables à : accident, modification, usage impropre ou abusif, incendie, inondation, actes de Dieu, installation fautive ou installation non conforme aux codes d'électricité ou de plomberie, ou l'utilisation de pièces consommables ou de produits nettoyants non approuvés par KitchenAid.
5. Les défauts apparents, notamment les éraflures, les bosses, fissures ou tout autre dommage au fini du gros appareil ménager, à moins que ces dommages soient dus à des vices de matériaux ou de fabrication et soient signalés à KitchenAid dans les 30 jours suivant la date d'achat.
6. Les coûts associés au transport du gros appareil ménager du domicile pour réparation. Ce gros appareil ménager est conçu pour être réparé à domicile et seul le service à domicile est couvert par la présente garantie.
7. Les réparations aux pièces ou systèmes résultant d'une modification non autorisée faite à l'appareil.
8. Les frais de transport pour le service d'un produit si votre gros appareil est situé dans une région éloignée où un service d'entretien KitchenAid autorisé n'est pas disponible.
9. La dépose et la réinstallation de votre gros appareil si celui-ci est installé dans un endroit inaccessible ou n'est pas installé conformément aux instructions d'installation fournies.
10. Les gros appareils ménagers dont les numéros de série et de modèle originaux ont été enlevés, modifiés ou qui ne peuvent pas être facilement identifiés. La présente garantie est nulle si le numéro de série d'usine a été modifié ou enlevé du gros appareil ménager.

Le coût d'une réparation ou d'un remplacement dans le cadre de ces circonstances exclues est à la charge du client.

## CLAUSE D'EXONÉRATION DE RESPONSABILITÉ AU TITRE DES GARANTIES IMPLICITES; LIMITATION DES RECOURS

LE SEUL ET EXCLUSIF RECOURS DU CLIENT DANS LE CADRE DE LA PRÉSENTE GARANTIE LIMITÉE CONSISTE EN LA RÉPARATION PRÉVUE CI-DESSUS. LES GARANTIES IMPLICITES, Y COMPRIS LES GARANTIES APPLICABLES DE QUALITÉ MARCHANDE ET D'APTITUDE À UN USAGE PARTICULIER, SONT LIMITÉES À UN AN OU À LA PLUS COURTE PÉRIODE AUTORISÉE PAR LA LOI. KITCHENAID N'ASSUME AUCUNE RESPONSABILITÉ POUR LES DOMMAGES FORTUITS OU INDIRECTS. CERTAINES JURIDICTIONS NE PERMETTENT PAS L'EXCLUSION OU LA LIMITATION DES DOMMAGES FORTUITS OU INDIRECTS, OU LES LIMITATIONS DE LA DURÉE DES GARANTIES IMPLICITES DE QUALITÉ MARCHANDE OU D'APTITUDE À UN USAGE PARTICULIER, DE SORTE QUE CES EXCLUSIONS OU LIMITATIONS PEUVENT NE PAS S'APPLIQUER DANS VOTRE CAS. CETTE GARANTIE VOUS CONFÈRE DES DROITS JURIDIQUES SPÉCIFIQUES ET VOUS POUVEZ ÉGALEMENT JOUIR D'AUTRES DROITS QUI PEUVENT VARIER D'UNE JURIDICTION À UNE AUTRE.

Si vous résidez à l'extérieur du Canada et des 50 États des États-Unis, contactez votre marchand KitchenAid autorisé pour déterminer si une autre garantie s'applique.

Si vous avez besoin de service, voir d'abord la section "Dépannage" du Guide d'utilisation et d'entretien. Après avoir vérifié la section "Dépannage", de l'aide supplémentaire peut être trouvée en vérifiant la section "Assistance ou service" ou en appelant KitchenAid. Aux É.-U., composer le **1-800-422-1230**. Au Canada, composer le **1-800-807-6777**.

4/09

**Conservez ce manuel et votre reçu de vente ensemble pour référence ultérieure. Pour le service sous garantie, vous devez présenter un document prouvant la date d'achat ou d'installation.**

Inscrivez les renseignements suivants au sujet de votre gros appareil ménager pour mieux vous aider à obtenir assistance ou service en cas de besoin. Vous devrez connaître le numéro de modèle et le numéro de série au complet. Vous trouverez ces renseignements sur la plaque signalétique située sur le produit.

Nom du marchand \_\_\_\_\_

Adresse \_\_\_\_\_

Numéro de téléphone \_\_\_\_\_

Numéro de modèle \_\_\_\_\_

Numéro de série \_\_\_\_\_

Date d'achat \_\_\_\_\_

W10342488A

© 2010. All rights reserved.  
Tous droits réservés.

© Registered Trademark/TM Trademark of KitchenAid, U.S.A., KitchenAid Canada licensee in Canada  
© Marque déposée/TM Marque de commerce de KitchenAid, U.S.A., Emploi sous licence par KitchenAid Canada au Canada

12/10  
Printed in Italy  
Imprimé en Italie