

# WASHER INSTALLATION INSTRUCTIONS

## INSTRUCTIONS POUR L'INSTALLATION DU LAVE-LINGE

## INSTRUCCIONES DE INSTALACIÓN DE LA LAVADORA

### Table of Contents

WASHER SAFETY..... 2	INSTALLATION INSTRUCTIONS..... 5
INSTALLATION REQUIREMENTS..... 2	Connect Drain Hose..... 6
Tools and Parts..... 2	Connect Inlet Hoses..... 6
Location Requirements ..... 3	Level Washer ..... 8
Drain System ..... 3	Power Cord Installation ..... 9
Electrical Requirements ..... 4	Complete Installation Checklist..... 9

### Table des matières

SÉCURITÉ DU LAVE-LINGE.....10	INSTRUCTIONS D'INSTALLATION.....13
EXIGENCES D'INSTALLATION .....10	Raccordement du tuyau de vidange.....14
Outillage et pièces .....10	Raccordement des tuyaux d'arrivée d'eau .....15
Exigences d'emplacement .....11	Établissement de l'aplomb du lave-linge .....16
Système de vidange.....11	Installation du cordon d'alimentation.....17
Spécifications électriques.....12	Liste de vérification pour l'achèvement de l'installation .....18

### Índice

SEGURIDAD DE LA LAVADORA..... 19	INSTRUCCIONES DE INSTALACIÓN ..... 22
REQUISITOS DE INSTALACIÓN ..... 19	Conexión de la manguera de desagüe..... 23
Herramientas y piezas ..... 19	Conexión de las mangueras de entrada ..... 24
Requisitos de ubicación ..... 20	Nivelación de la lavadora ..... 25
Sistema de desagüe..... 20	Instalación del cable eléctrico ..... 26
Requisitos eléctricos ..... 21	Lista de control de la instalación terminada ..... 27

4GWTW4740	4KMVWC100
4GWTW4800	4KMVWC300
4GMVWC100	4KMVWX505
4GMVWC300	4KMVWC405
4GWTW5550	4KMVWC400
4GWTW4950	4KATW4830
4GMVWX500	4KMVWC130
4GMVWC400	4KMVWC230
4GNTW4400	4KNTW4430
4GNTW4600	4KNTW4530
4GATW4900	4KWTW4730
4KMEDX505	4KWTW4830

# WASHER SAFETY

## Your safety and the safety of others are very important.

We have provided many important safety messages in this manual and on your appliance. Always read and obey all safety messages.



This is the safety alert symbol.

This symbol alerts you to potential hazards that can kill or hurt you and others.

All safety messages will follow the safety alert symbol and either the word "DANGER" or "WARNING."

These words mean:

**⚠ DANGER**

You can be killed or seriously injured if you don't immediately follow instructions.

**⚠ WARNING**

You can be killed or seriously injured if you don't follow instructions.

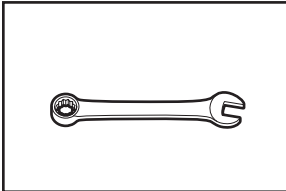
All safety messages will tell you what the potential hazard is, tell you how to reduce the chance of injury, and tell you what can happen if the instructions are not followed.

## INSTALLATION REQUIREMENTS

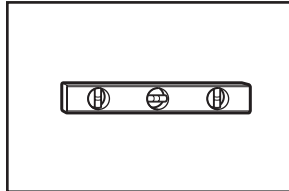
### Tools and Parts

Gather required tools and parts before starting installation.

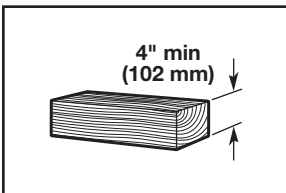
#### Tools needed:



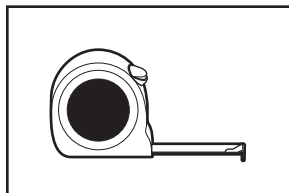
Adjustable or open-end wrench  $\frac{9}{16}$ " (14 mm)



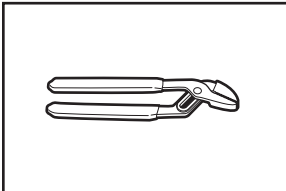
Level



Wood block



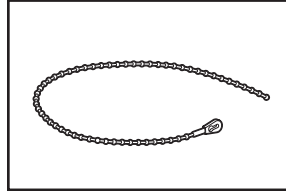
Ruler or measuring tape



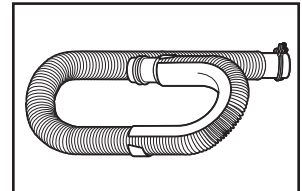
Pliers that open to  $1\frac{1}{4}$ " (44.5 mm)

#### Parts supplied:

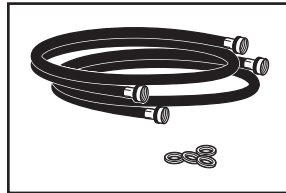
**NOTE:** All parts supplied for installation are in cardboard insert in the top of the washer.



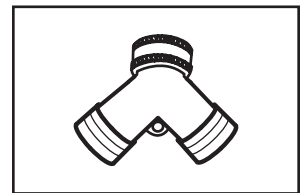
Cable tie



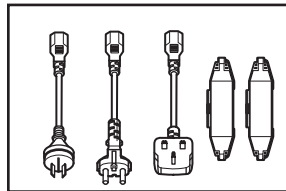
Drain hose with clamp



Inlet hoses with flat washers

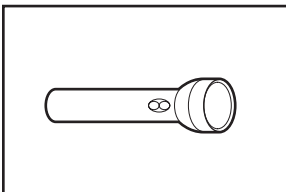


"Y" connector

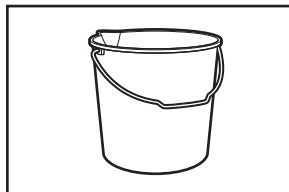


Plugs and cord lock cover

#### Optional tools:



Flashlight



Bucket

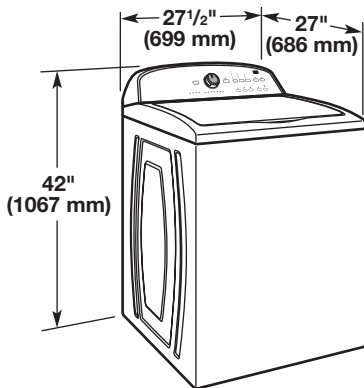
### Alternate parts: (Not supplied with washer)

Your installation may require additional parts. To order, please contact the dealer from whom you purchased your washer or an authorized service company.

If you have:	You will need:
Overhead sewer	Standard 20 gal. (76 L) 39" (990 mm) tall drain tub or utility sink, sump pump and connectors (available from local plumbing suppliers)
1" (25 mm) standpipe	2" (51 mm) diameter to 1" (25 mm) diameter Standpipe Adapter Part Number 3363920 Connector Kit Part Number 285835
Drain hose too short	Extension Drain Hose Part Number 285863 Connector Kit Part Number 285835
Lint clogged drain	Drain Protector Part Number 367031 Connector Kit Part Number 285835

## LOCATION REQUIREMENTS

Select proper location for your washer to improve performance and minimize noise and possible "washer walk". Install your washer in a basement, laundry room, closet, or recessed area.



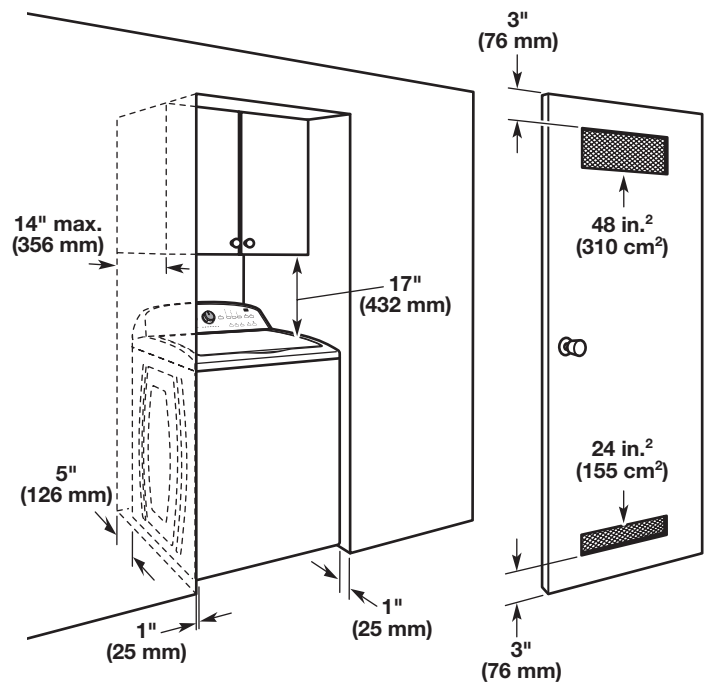
### You will need:

- A water heater set to 120° F (49°C).
- A grounded electrical outlet located within 4 ft (1.2 m) of power cord on back of washer.
- Hot and cold water faucets located within 3 ft (0.9 m) of hot and cold water fill valves on washer and water pressure of 20-100 psi (138-690 kPa).
- A level floor with maximum slope of 1" (25 mm) under entire washer. Installing on carpet is not recommended.
- Floor must support washer's total weight (with water and load) of 315 lbs (143 kgs).

**IMPORTANT:** Do not install, store, or operate washer where it will be exposed to weather or in temperatures below 32°F (0°C). Water remaining in washer after use may cause damage in low temperatures. See "Washer Care" section in your Use and Care Guide for winterizing information.

Proper installation is your responsibility.

## Recessed area or closet installation



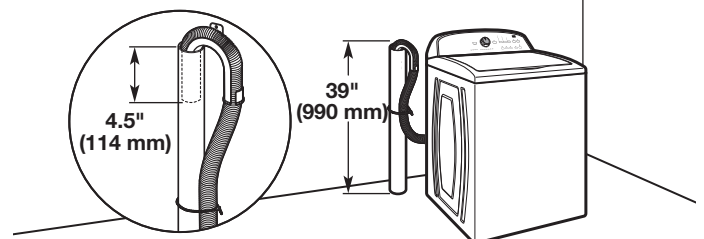
Dimensions show recommended spacing allowed, except for closet door ventilation openings, which are the minimum required.

This washer has been tested for installation with spacing of 0" (0 mm) clearance on the sides. Consider allowing more space for ease of installation and servicing and spacing for companion appliances and clearances for walls, doors, and floor moldings. Add spacing of 1" (25 mm) on all sides of washer to reduce noise transfer. If a closet door or louvered door is installed, top and bottom air openings in door are required.

## DRAIN SYSTEM

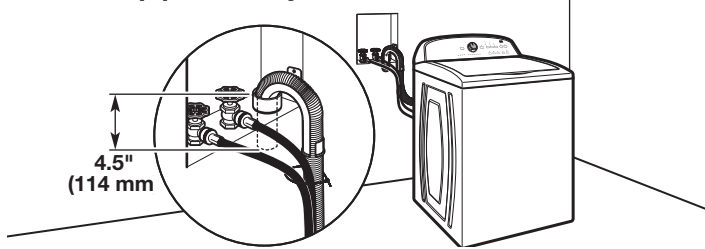
Drain system can be installed using a floor drain, wall standpipe, floor standpipe, or laundry tub. Select method you need.

### Floor standpipe drain system



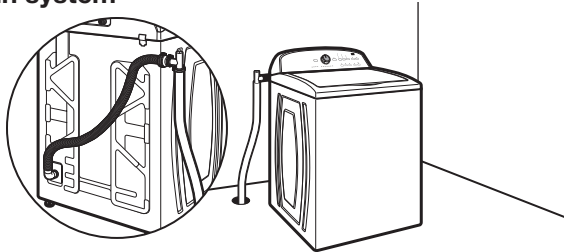
Minimum diameter for a standpipe drain: 2" (51 mm). Minimum carry-away capacity: 17 gal. (64 L) per minute. Top of standpipe must be at least 39" (990 mm) high; install no higher than 48" (1.22 m) from bottom of washer. If you must install higher than 48" (1.22 m), you will need a sump pump system.

## Wall standpipe drain system



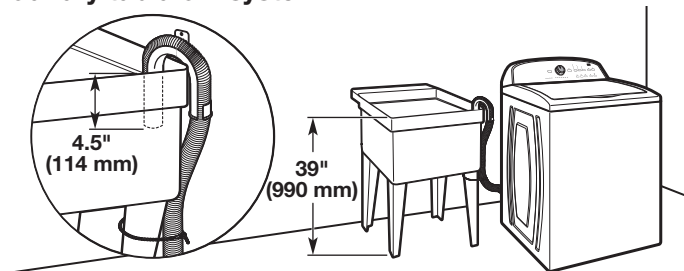
See requirements for floor standpipe drain system.

## Floor drain system



Floor drain system requires a Siphon Break Kit (Part Number 285834), 2 Connector Kits (Part Number 285835), and an Extension Drain Hose (Part Number 285863) that may be purchased separately. To order, please contact the dealer from whom you purchased your washer or an authorized service company. Minimum siphon break: 28" (710 mm) from bottom of washer. (Additional hoses may be needed.)

## Laundry tub drain system



Minimum capacity: 20 gal. (76 L). Top of laundry tub must be at least 39" (990 mm) above floor; install no higher than 48" (1.22 m) from bottom of washer.

**IMPORTANT:** To avoid siphoning, no more than 4.5" (114 mm) of drain hose should be inside standpipe or below the top of wash tub. Secure drain hose with cable tie.

## ELECTRICAL REQUIREMENTS

### ⚠ WARNING



#### Electrical Shock Hazard

**Plug into a grounded 3 prong outlet.**

**Do not remove ground prong.**

**Do not use an adapter.**

**Do not use an extension cord.**

**Failure to follow these instructions can result in death, fire, or electrical shock.**

**CAUTION:** To avoid a hazard due to inadvertent resetting of the thermal cut-off, this washer must not be supplied through an external switching device, such as a timer, or connected to a circuit that is regularly switched on and off by the utility.

- A 220-240 volt, 60 Hz., AC only, 10-amp, fused electrical supply is required. A time-delay fuse or circuit breaker is recommended. It is recommended that a separate circuit breaker serving only this appliance be provided.
- This washer is equipped with a power supply cord having a 3 prong grounding plug. If the supply cord is damaged, it must be replaced by the manufacturer, a qualified service agent, or other qualified person to avoid a hazard.
- To minimize possible shock hazard, the cord must be plugged into a mating, 3 prong, grounding-type outlet, grounded in accordance with local codes and ordinances. If a mating outlet is not available, it is the personal responsibility and obligation of the customer to have the properly grounded outlet installed by a qualified electrician.
- If codes permit and a separate ground wire is used, it is recommended that a qualified electrician determine that the ground path is adequate.
- Do not ground to a gas pipe.
- Check with a qualified electrician if you are not sure the washer is properly grounded.
- Do not have a fuse in the neutral or ground circuit.

## GROUNDING INSTRUCTIONS

### For a grounded, cord-connected washer:

This washer must be grounded. In the event of a malfunction or breakdown, grounding will reduce the risk of electrical shock by providing a path of least resistance for electric current. This washer is equipped with a cord having an equipment-grounding conductor and a grounding plug. The plug must be plugged into an appropriate outlet that is properly installed and grounded in accordance with all local codes and ordinances.

**WARNING:** Improper connection of the equipment-grounding conductor can result in a risk of electric shock. Check with a qualified electrician or serviceman if you are in doubt as to whether the appliance is properly grounded.

Do not modify the plug provided with the appliance – if it will not fit the outlet, have a proper outlet installed by a qualified electrician.

### For a permanently connected washer:

This washer must be connected to a grounded metal, permanent wiring system, or an equipment grounding conductor must be run with the circuit conductors and connected to the equipment-grounding terminal or lead on the appliance.

## INSTALLATION INSTRUCTIONS

### **⚠ WARNING**

#### Excessive Weight Hazard

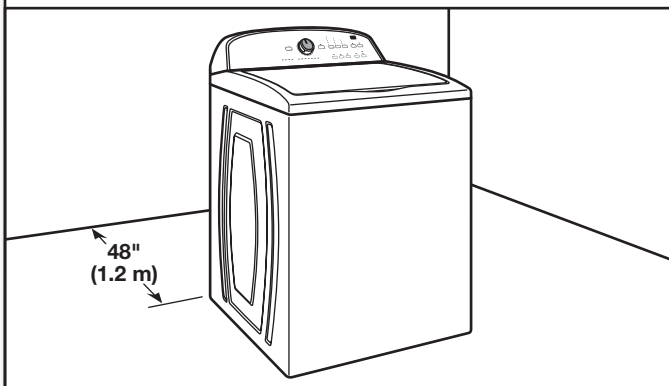
Use two or more people to move and install washer.

Failure to do so can result in back or other injury.

#### Before you start: remove shipping materials

It is necessary to remove all shipping materials for proper operation and to avoid excessive noise from washer.

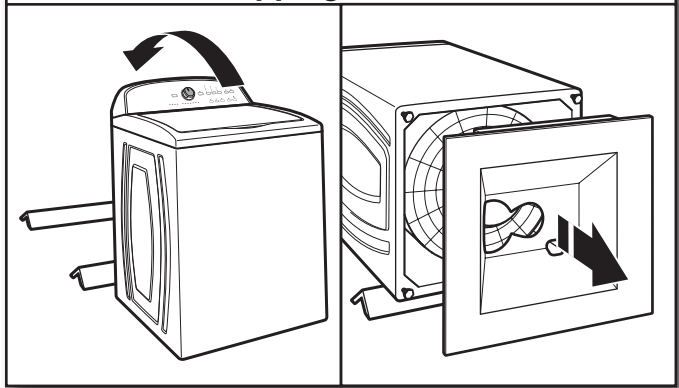
### 1. Move washer



Move washer to within 4 ft (1.2 m) of its final location; it must be in a fully upright position.

**NOTE:** To avoid floor damage, set washer onto cardboard before moving it and make sure lid is taped shut.

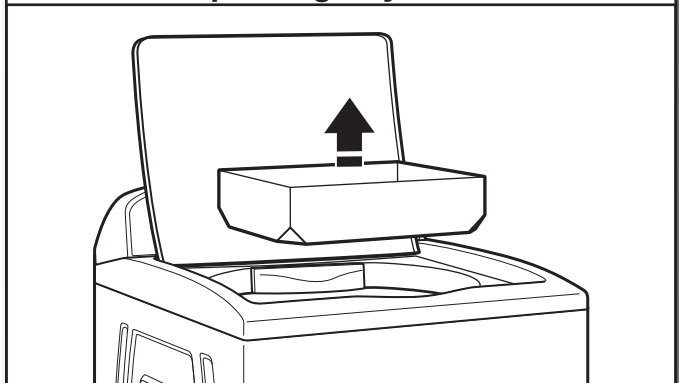
### 2. Remove shipping base



To avoid damaging floor, place cardboard supports from shipping carton on floor behind washer. Tip washer back, and place on cardboard supports. Remove shipping base. Set washer upright.

**IMPORTANT:** Removing shipping base is necessary for proper operation. If your washer includes a sound shield, please refer to the instructions included with the sound shield to install it at this time.

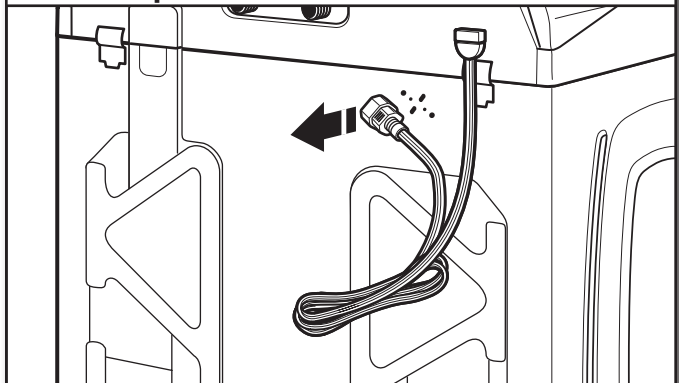
### 3. Remove packing tray from tub



Remove tape from washer lid, open lid and remove cardboard packing tray from tub. Be sure to remove all parts from tray.

**NOTE:** Keep tray in case you need to move washer later.

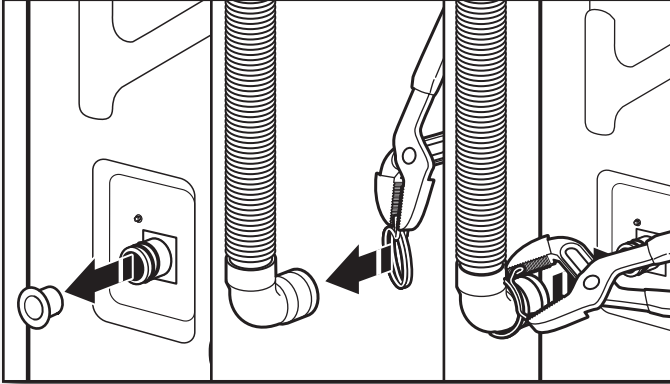
### 4. Free power cord



Firmly grasp power cord plug, and pull to free from rear panel. Gently place power cord over console to allow free access to back of washer.

## CONNECT DRAIN HOSE

### 5. Attach drain hose to drain port



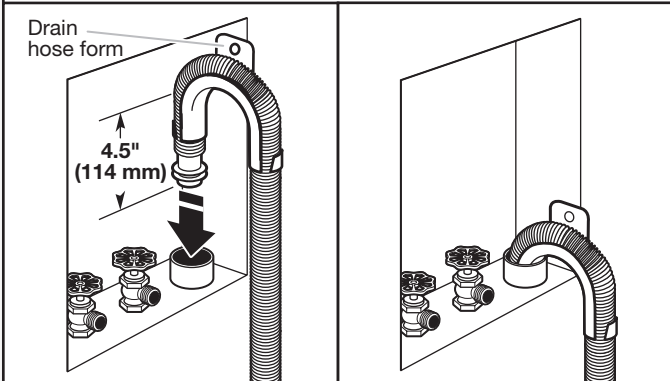
Remove the red plastic plug from the black drain port on the back of the washer.

If clamp is not already in place on elbow end of drain hose, slide it over end as shown. Squeeze clamp with pliers and slide black elbow end of drain hose onto black drain port and secure with clamp.

For a laundry tub or standpipe drain, go to Step 6.

For a floor drain, remove the preinstalled drain hose form as shown in Step 7. You may need additional parts with separate directions. See "Tools and Parts".

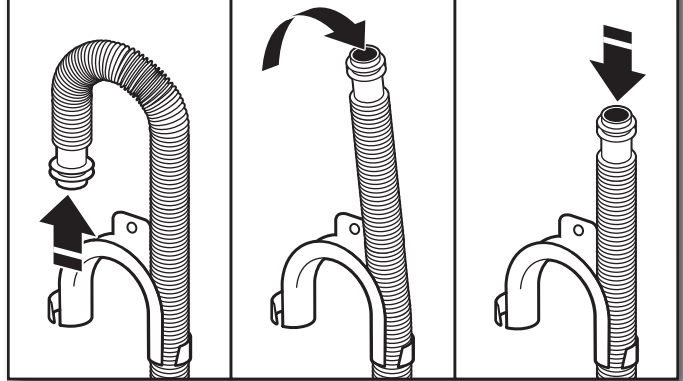
### 6. Place drain hose in standpipe



Place hose into standpipe (shown in picture) or over side of laundry tub.

**IMPORTANT:** 4.5" (114 mm) of drain hose should be inside standpipe; do not force excess hose into standpipe or lay on bottom of laundry tub. Drain hose form must be used.

### 7. Remove drain hose form (floor drain installations only)



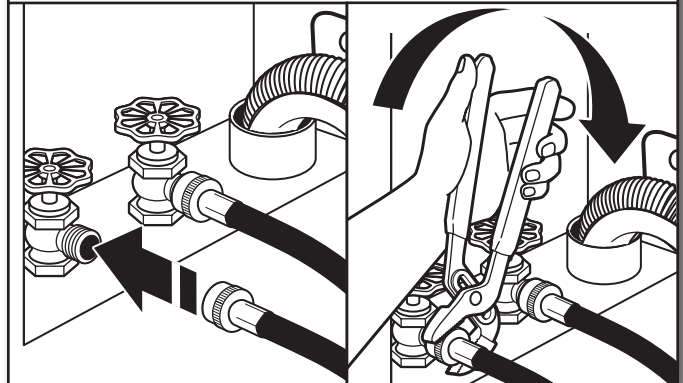
For floor drain installations, you will need to remove the drain hose form from the end of the drain hose. You may need additional parts with separate directions. See "Tools and Parts".

## CONNECT INLET HOSES

Washer must be connected to water faucets with new inlet hoses with flat washers (provided). Do not use old hoses.

**NOTE:** Both hoses must be attached and have water flowing to inlet valves. If you are only connecting to a cold water faucet, you must use a Y-adaptor (provided).

### 8a. Connect inlet hoses to water faucets

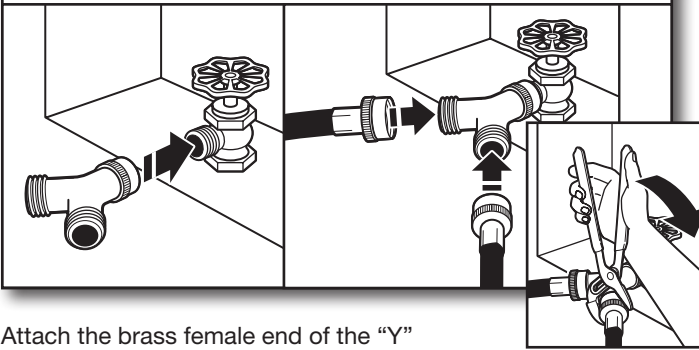


Attach hose to hot water faucet. Screw on coupling by hand until it is seated on washer. Use pliers to tighten couplings an additional two-thirds turn. Repeat this step with second hose for cold water faucet.

**IMPORTANT:** Do not overtighten or use tape or sealants on valve when attaching to faucets or washer. Damage can result.



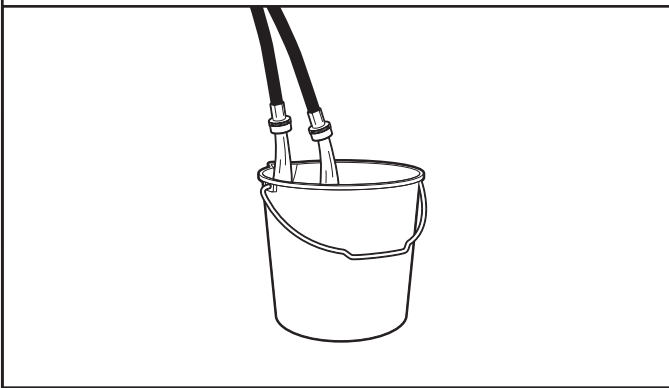
## 8b. Connect inlet hoses to "Y" connector



Attach the brass female end of the "Y" connector to the cold water faucet. Use pliers to tighten couplings an additional two-thirds turn. One end of the long hose has a wire mesh strainer inside the coupling. Attach this end to the "Y" connector. Attach washer cold inlet hose to other side of "Y" connector. Screw on coupling by hand until it is seated on connector. Using pliers, tighten the couplings an additional two-thirds turn.

**IMPORTANT:** Do not overtighten or use tape or sealants on valve when attaching to faucets or washer. Damage can result.

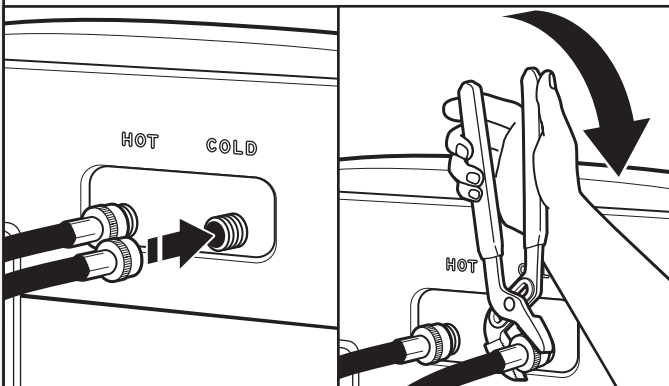
## 9. Clear water lines



Run water for a few seconds through hoses into a laundry tub, drainpipe, or bucket to avoid clogs. Water should run until clear.

Make note of which hose is connected to hot water to help in attaching hoses to washer correctly.

## 10. Connect inlet hoses to washer

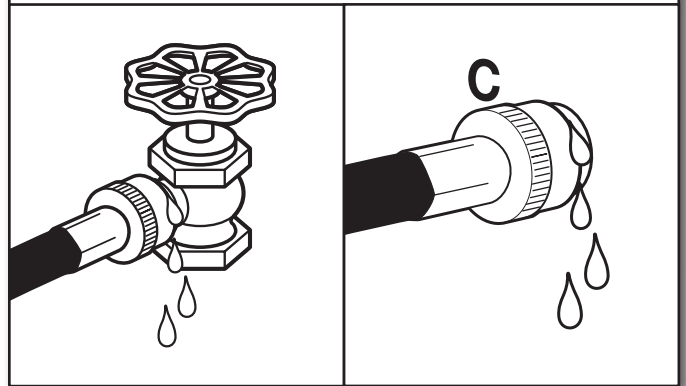


Attach hot water hose to hot water inlet valve marked with a red ring. Screw coupling by hand until it is snug. Use pliers to tighten couplings an additional two-thirds turn. Repeat with cold water inlet valve.

**IMPORTANT:** To reduce risk of hose failure, replace the hoses every 5 years. Record hose installation or replacement dates for future reference.

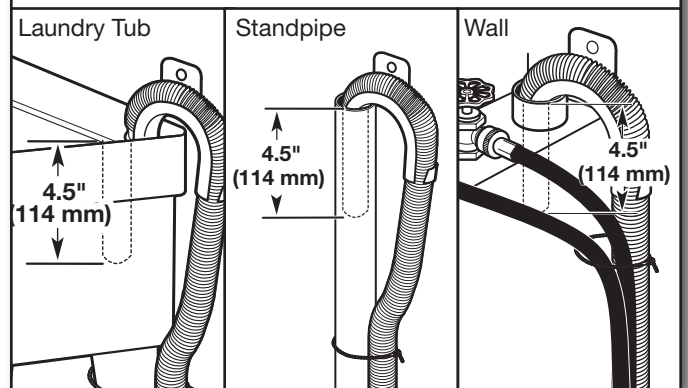
- Periodically inspect and replace hoses if bulges, kinks, cuts, wear, or leaks are found.

## 11. Check for leaks



Turn on water faucets to check for leaks. A small amount of water may enter washer. It will drain later.

## 12. Secure drain hose



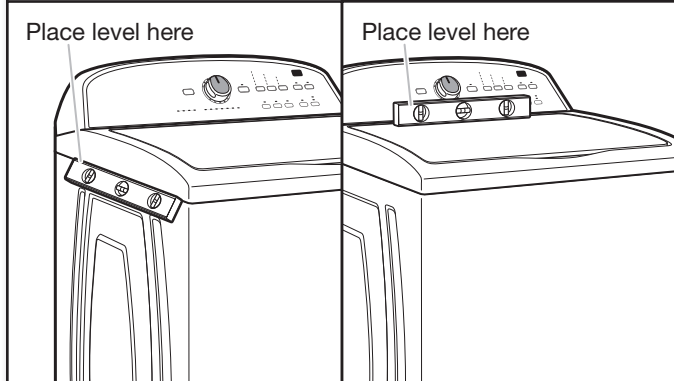
Secure drain hose to laundry tub leg, drain standpipe, or inlet hoses for wall standpipe with cable tie.

It is the responsibility of the installer to install and secure the drain hose into the provided plumbing/drain in a manner that will avoid the drain hose coming out of or leaking from the plumbing/drain.

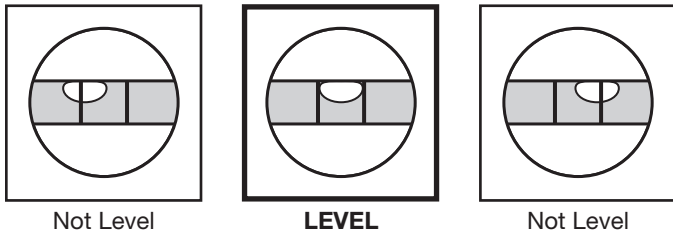
# LEVEL WASHER

**IMPORTANT:** Level washer properly to reduce excess noise and vibration.

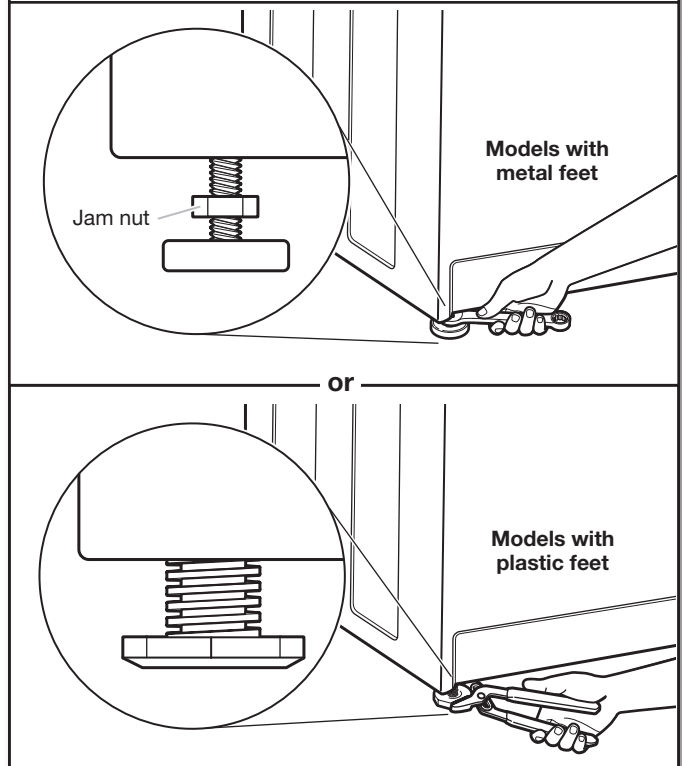
## 13. Check levelness of washer



Move the washer to its final location. Place a level on top edges of washer. Use side seam as a guide to check levelness of sides. Check levelness of front using lid, as shown. Rock washer back and forth to make sure all four feet make solid contact with floor. If washer is level, skip to Step 15, (on models with metal feet) or Step 16 (on models with plastic feet).



## 14. Adjust leveling feet



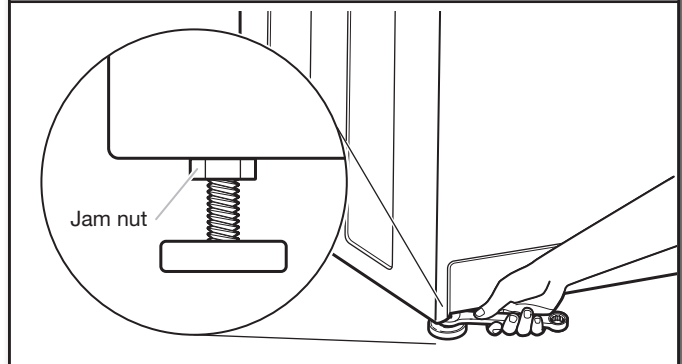
### If washer is not level:

On models with metal feet, use a  $\frac{9}{16}$ " or 14 mm open-end or adjustable wrench to turn jam nuts clockwise on feet until they are about  $\frac{1}{2}$ " (13 mm) from the washer cabinet. Then turn the leveling foot clockwise to lower the washer or counterclockwise to raise the washer.

On models with plastic feet, use adjustable pliers to turn the plastic leveling foot counterclockwise to lower the washer or clockwise to raise the washer. On all models, recheck levelness of washer and repeat as needed.

**HELPFUL TIP:** You may want to prop up front of washer about 4" (102 mm) with a wood block or similar object that will support weight of washer.

## 15. Tighten leveling feet



On models with metal feet, when washer is level, use a  $\frac{9}{16}$ " or 14 mm open-end or adjustable wrench to turn jam nuts counterclockwise on leveling feet tightly against washer cabinet.

**HELPFUL TIP:** You may want to prop washer with wooden block.



# POWER CORD INSTALLATION

## ⚠ WARNING



### Electrical Shock Hazard

Plug into a grounded 3 prong outlet.

Do not remove ground prong.

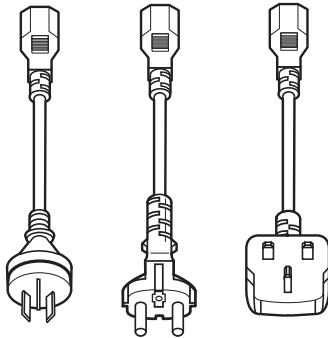
Do not use an adapter.

Do not use an extension cord.

Failure to follow these instructions can result in death, fire, or electrical shock.

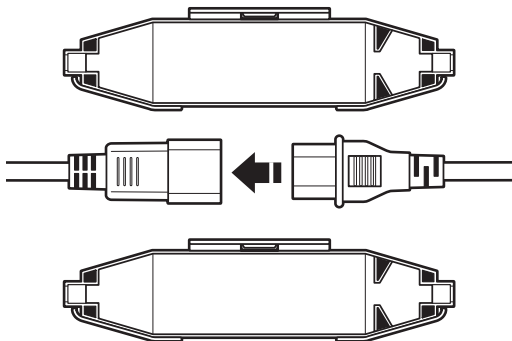
Plug power supply cord into an grounded outlet. Turn power supply on.

## 16. Select plug



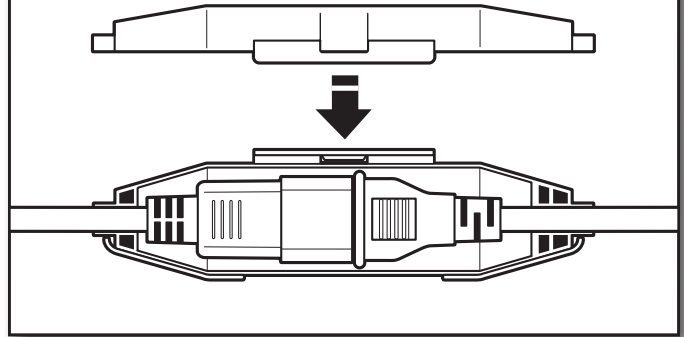
Select the plug that fits with the electric receptacle.

## 17. Assemble plug



Assemble the plug into the end of the power cord.

## 18. Secure power cord



Secure the power cord by seating the connection on the cord lock. Place the cord lock cover, and push until it snaps. Make sure the power cord connection is seated on the cord lock and that the cord lock clamps correctly.

## COMPLETE INSTALLATION CHECKLIST

- Check electrical requirements. Be sure you have correct electrical supply and recommended grounding method.
- Check that all parts are now installed. If there is an extra part, go back through steps to see what was skipped.
- Check that you have all of your tools.
- Check that shipping materials were completely removed from washer.
- Check that water faucets are on.
- Check for leaks around faucets and inlet hoses.
- Remove film from console and any tape remaining on washer.
- Check that washer is plugged into a grounded outlet.
- Dispose of/recycle all packaging materials.
- Read "Washer Care" in your Use and Care Guide.
- To test and clean your washer, measure ½ of normal recommended amount of powdered or liquid detergent and pour it into washer basket or detergent dispenser (on some models). Close lid. Select any cycle. Start washer and allow to complete full cycle.

# SÉCURITÉ DU LAVE-LINGE

## Votre sécurité et celle des autres est très importante.

Nous donnons de nombreux messages de sécurité importants dans ce manuel et sur votre appareil ménager. Assurez-vous de toujours lire tous les messages de sécurité et de vous y conformer.



Voici le symbole d'alerte de sécurité.

Ce symbole d'alerte de sécurité vous signale les dangers potentiels de décès et de blessures graves à vous et à d'autres.

Tous les messages de sécurité suivront le symbole d'alerte de sécurité et le mot "DANGER" ou "AVERTISSEMENT". Ces mots signifient :

**⚠ DANGER**

**Risque possible de décès ou de blessure grave si vous ne suivez pas immédiatement les instructions.**

**⚠ AVERTISSEMENT**

**Risque possible de décès ou de blessure grave si vous ne suivez pas les instructions.**

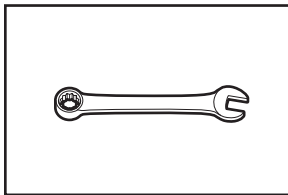
Tous les messages de sécurité vous diront quel est le danger potentiel et vous disent comment réduire le risque de blessure et ce qui peut se produire en cas de non-respect des instructions.

## EXIGENCES D'INSTALLATION

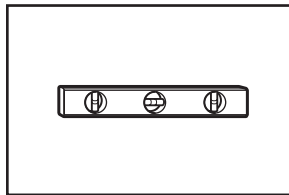
### Outillage et pièces

Rassembler les outils et pièces nécessaires avant de commencer l'installation.

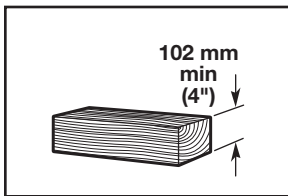
#### Outillage nécessaire :



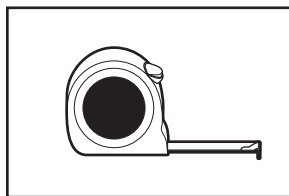
Clé à molette ou clé hexagonale de 14 mm ( $\frac{9}{16}$ " )



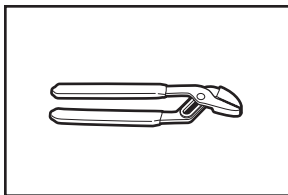
Niveau



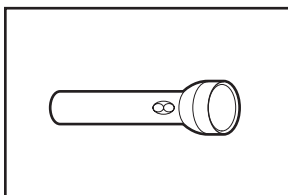
Cale en bois



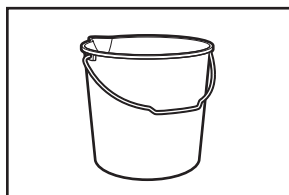
Règle ou mètre ruban



Pince avec ouverture jusqu'à 44,5 mm ( $1\frac{3}{4}$ " )



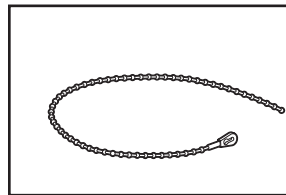
Lampe de poche



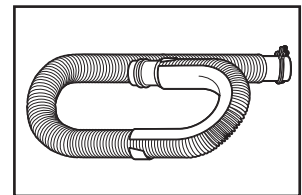
Seau

#### Pièces fournies :

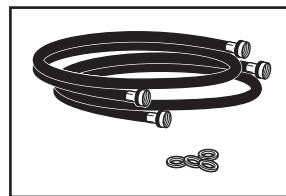
**REMARQUE :** Toutes les pièces fournies pour l'installation se trouvent dans l'insert en carton dans le panier du lave-linge.



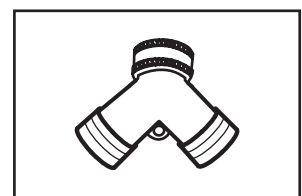
Attache-câble



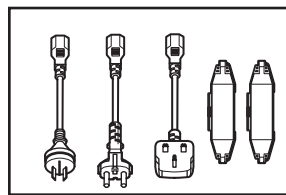
Tuyau d'évacuation avec bride



Tuyaux d'arrivée d'eau avec rondelles plates



Raccord en "Y"



Prises et boîtier de protection du branchement

#### Autres pièces : (Non fournies avec le lave-linge)

Il se peut que l'installation nécessite des pièces supplémentaires. Pour commander, contacter soit le marchand auprès duquel la sècheuse a été achetée, soit un service d'entretien autorisé.

**Si vous avez :**

Un égout surélevé

**Si vous avez :**

Tuyau de vidange standard de 76 L (20 gal.) de 990 mm (39") de haut ou évier de décharge, pompe de puisard et connecteurs (disponibles chez les vendeurs de matériel de plomberie locaux)

Tuyau de rejet à l'égout rigide

Adaptateur pour tuyau rigide de rejet à l'égout rigide de diamètre 51 mm (2") à 25 mm (1") Pièce numéro 3363920 Ensemble de connexion, pièce numéro 285835

Un tuyau de vidange trop court

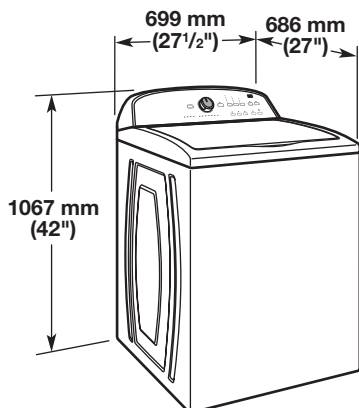
Tuyau de vidange supplémentaire, pièce numéro 285863 Ensemble de connexion pièce numéro 285835

Le système d'évacuation obstrué par de la charpie

Protecteur de canalisation, pièce numéro 367031 Ensemble de connexion, pièce numéro 285835

## EXIGENCES D'EMPLACEMENT

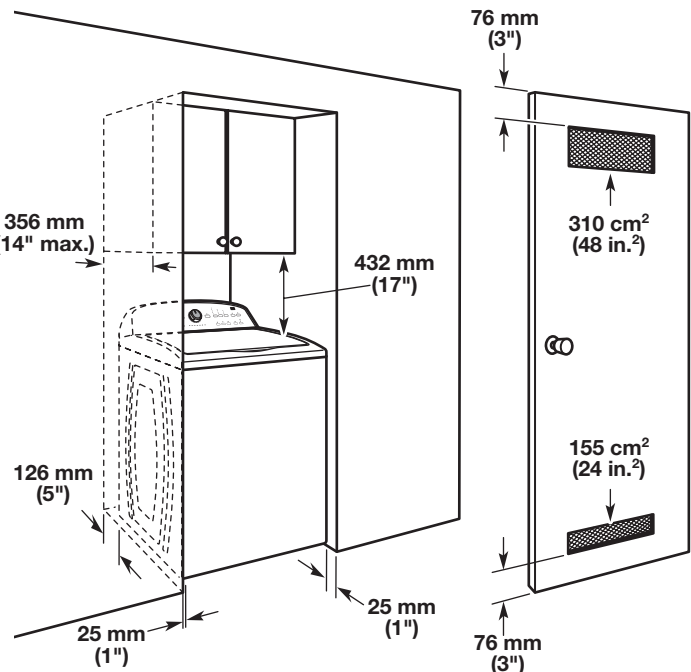
Le choix d'un emplacement approprié pour le lave-linge améliore le rendement et réduit au minimum le bruit et le "déplacement" possible du lave-linge. Le lave-linge peut être installé dans un sous-sol, une salle de buanderie, un placard ou un encastrement.

**Il vous faudra :**

- Un chauffe-eau réglé à 49° C (120°F).
- Une prise électrique reliée à la terre et située à moins de 1,2 m (4 pi) du cordon d'alimentation situé à l'arrière du lave-linge.
- Des robinets d'eau chaude et d'eau froide situés à moins de 0,9 m (3 pi) des électrovannes de remplissage d'eau chaude et d'eau froide situées sur le lave-linge et une pression d'eau de 138 à 690 kPa (20-100 lb/po<sup>2</sup>).
- Un plancher de niveau avec une pente maximale de 25 mm (1") sous l'ensemble du lave-linge. L'installation sur de la moquette n'est pas recommandée.
- Un plancher capable de supporter le poids total de 143 kg (315 lb) du lave-linge (eau et charge comprises).

**IMPORTANT :** Ne pas installer, remiser ou faire fonctionner le lave-linge à un emplacement où il sera exposé aux intempéries ou à des températures inférieures à 0°C (32°F). De l'eau restée dans le lave-linge après utilisation peut causer des dommages à basse température. Voir "Entretien du lave-linge" dans les Instructions d'utilisation du lave-linge pour des renseignements sur l'hivernisation.

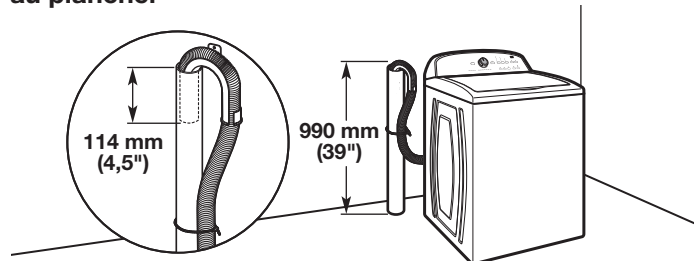
C'est à l'utilisateur qu'incombe la responsabilité de réaliser une installation correcte.

**Installation dans un encastrement ou un placard**

Les dimensions représentent les dégagements recommandés permis, hormis pour les ouvertures de ventilation de la porte du placard qui correspondent aux dimensions minimales nécessaires. Ce lave-linge a été testé pour une installation avec des dégagements de 0 mm (0") sur les côtés. On peut éventuellement laisser davantage de dégagement pour faciliter l'installation et l'entretien, et des distances de séparation pour les appareils ménagers voisins et des dégagements pour les murs, portes et plinthes. Ajouter un espace supplémentaire de 25 mm (1") de tous les côtés du lave-linge pour réduire le transfert de bruit. Si l'on installe une porte de placard ou une porte à persiennes, des ouvertures d'aération au sommet et au bas de la porte sont nécessaires.

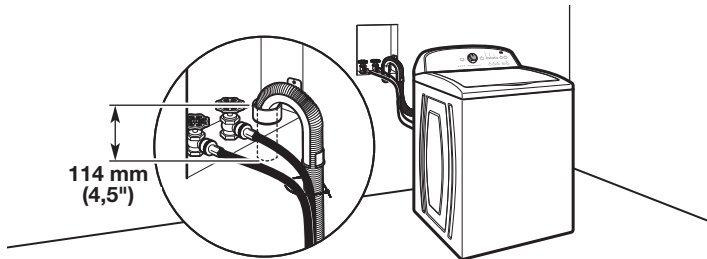
## SYSTÈME DE VIDANGE

Le système de vidange du lave-linge peut être installé à l'aide d'un conduit d'évacuation au plancher, un tuyau de rejet à l'égout au plancher ou mural ou un évier de buanderie. Sélectionner la méthode à utiliser.

**Système de vidange avec tuyau de rejet à l'égout au plancher**

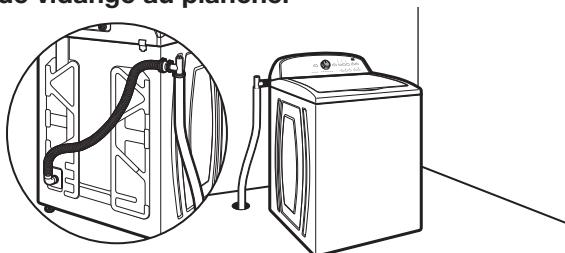
Diamètre minimal pour un tuyau de rejet à l'égout : 51 mm (2")  
Capacité minimale d'acheminement : 64 L (17 gal.) par minute.  
Le sommet du tuyau de rejet à l'égout doit avoir une hauteur d'au moins 990 mm (39"); ne pas l'installer à plus de 1,22 m (48") du bas du lave-linge. Si l'on doit installer à plus de 1,22 m (48") de hauteur, un système de pompe de puisard est nécessaire.

## Système de vidange avec tuyau de rejet à l'égout mural



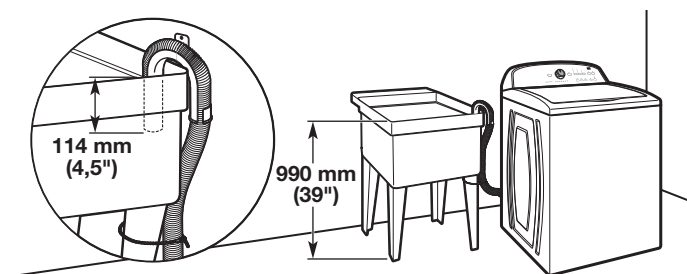
Voir les exigences pour le système de vidange avec tuyau de rejet à l'égout au plancher.

## Système de vidange au plancher



Le système de vidange au plancher nécessite un ensemble de brise-siphon (pièce numéro 285834), deux ensembles de connection (pièce numéro 285835), et un tuyau de vidange supplémentaire (pièce numéro 285863) qui peuvent être achetés séparément. Pour commander, consulter les numéros d'appel sans frais figurant dans les Instructions d'utilisation du lave-linge. Dimension minimale pour le brise-siphon : 710 mm (28") à partir du fond du lave-linge. (Des tuyaux supplémentaires peuvent être requis).

## Système de vidange dans un évier de buanderie



Capacité minimale : 76 L (20 gal.). Le sommet de l'évier de buanderie doit se trouver à au moins 990 mm (39") du plancher; ne pas l'installer à plus de 1,22 m (48") du fond du lave-linge.

**IMPORTANT :** Pour éviter un effet de siphon, ne pas introduire plus de 114 mm (4,5") de tuyau de vidange à l'intérieur du tuyau de rejet à l'égout ou sous la partie supérieure d'évier de buanderie. Immobiliser le tuyau de vidange avec un attache-câble.

## SPÉCIFICATIONS ÉLECTRIQUES

### ⚠ AVERTISSEMENT



#### Risque de choc électrique

- Brancher sur une prise à 3 alvéoles reliée à la terre.**
- Ne pas enlever la broche de liaison à la terre.**
- Ne pas utiliser un adaptateur.**
- Ne pas utiliser un câble de rallonge.**
- Le non-respect de ces instructions peut causer un décès, un incendie ou un choc électrique.**

**MISE EN GARDE :** Pour éviter tout risque dû au ré-enclenchement intempestif du coupe-circuit thermique, ce lave-linge ne doit pas être alimenté par un dispositif de commutation externe, tel une minuterie, ni raccordé à un circuit régulièrement ouvert et fermé par l'opérateur du réseau.

- L'appareil doit être alimenté par un circuit électrique de 220-240 V, 60 Hz, 10 ampères, uniquement avec CA et protégé par fusible. On recommande l'emploi d'un fusible ou d'un disjoncteur temporisé. Il est recommandé de raccorder l'appareil sur un circuit distinct exclusif à cet appareil.
- Ce lave-linge comporte un cordon d'alimentation électrique à trois broches pour liaison à la terre. Si le cordon d'alimentation est endommagé, il doit être remplacé par le fabricant, un agent de service qualifié ou toute autre personne qualifiée afin d'éviter tout danger.
- Pour minimiser les risques de choc électrique, on doit brancher le cordon sur une prise de courant de configuration correspondante, à 3 alvéoles, reliée à la terre et installée conformément aux codes et règlements locaux. Si une prise de courant de configuration correspondante n'est pas disponible, le client a la responsabilité et l'obligation de faire installer par un électricien qualifié une prise de courant correctement reliée à la terre.
- Si les codes le permettent et si l'on utilise un conducteur distinct de liaison à la terre, il est recommandé qu'un électricien qualifié vérifie la qualité de la liaison à la terre.
- Ne pas utiliser une tuyauterie de gaz pour le raccordement à la terre.
- En cas de doute quant à la qualité de la liaison à la terre du lave-linge, consulter un électricien qualifié.
- Ne pas installer un fusible dans le conducteur neutre ou le circuit de liaison à la terre.

## INSTRUCTIONS DE LIAISON A LA TERRE

### Pour un lave-linge relié à la terre et connecté par un cordon :

Ce lave-linge doit être relié à la terre. En cas d'anomalie ou de panne, la liaison à la terre réduira le risque de choc électrique en offrant au courant électrique un itinéraire d'évacuation de moindre résistance. Ce lave-linge est alimenté par un cordon électrique comportant un conducteur relié à la terre et une fiche de branchement munie d'une broche de liaison à la terre. La fiche doit être branchée sur une prise de courant appropriée qui est bien installée et reliée à la terre conformément à tous les codes et règlements locaux.

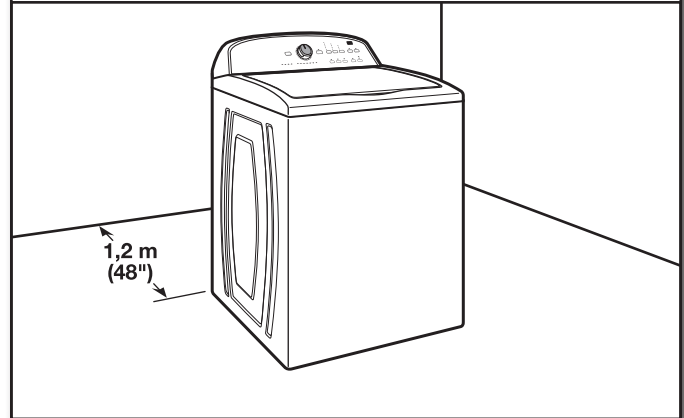
**AVERTISSEMENT :** Un raccordement inapproprié du conducteur de liaison à la terre peut causer un risque de choc électrique. En cas de doute quant à la qualité de la liaison à la terre de l'appareil, consulter un électricien ou un technicien d'entretien qualifié.

Ne pas modifier la fiche fournie avec l'appareil; si elle ne correspond pas à la configuration de la prise de courant, faire installer une prise appropriée par un électricien qualifié.

### Pour un lave-linge raccordé en permanence :

Ce lave-linge doit être raccordé à un système de câblage permanent en métal relié à la terre ou un conducteur relié à la terre doit être en fonction avec les conducteurs de circuit et raccordés à la borne de liaison à la terre ou à la borne sur l'appareil ménager.

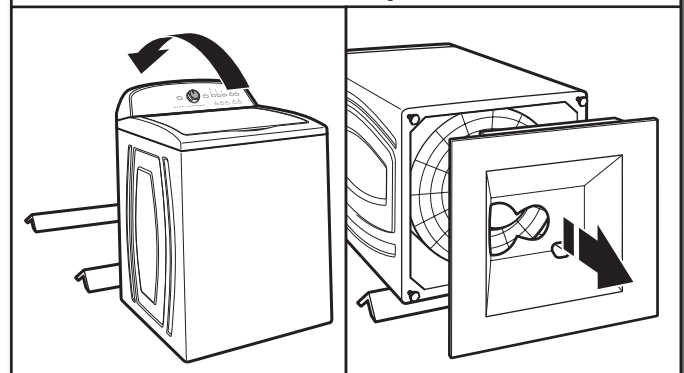
## 1. Déplacer le lave-linge



Déplacer le lave-linge à moins de 1,2 m (4 pi) de son emplacement final, elle doit être en position complètement verticale.

**REMARQUE :** Pour éviter d'endommager le plancher, installer le lave-linge sur un carton avant de le déplacer. Assurer que le couvercle est retenu en place avec le ruban adhésif.

## 2. Enlever la base d'expédition



Afin d'éviter d'endommager le plancher, placer les supports en carton du carton d'expédition sur le plancher, derrière le lave-linge. Incliner le lave-linge vers l'arrière et la placer sur les supports en carton. Retirer la base d'expédition. Redresser le lave-linge en position verticale.

**IMPORTANT :** Le retrait de la base d'expédition en polystyrène est nécessaire au bon fonctionnement de l'appareil. Si le lave-linge comprend une plaque d'insonorisation, consulter les instructions fournies avec la plaque d'insonorisation pour l'installer maintenant.

## INSTRUCTIONS D'INSTALLATION

### **⚠ AVERTISSEMENT**

#### Risque de poids excessif

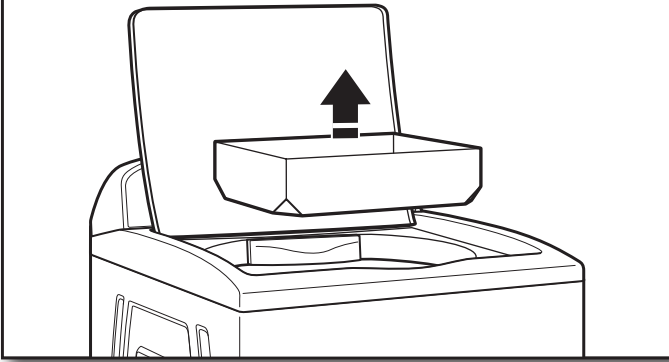
Utiliser deux personnes ou plus pour déplacer et installer le lave-linge.

Le non-respect de cette instruction peut causer une blessure au dos ou d'autres types de blessure.

#### Avant de commencer : retirer le matériel d'expédition

Il est nécessaire de retirer tout le matériel d'expédition pour un fonctionnement correct et pour éviter que le lave-linge ne fasse trop de bruit.

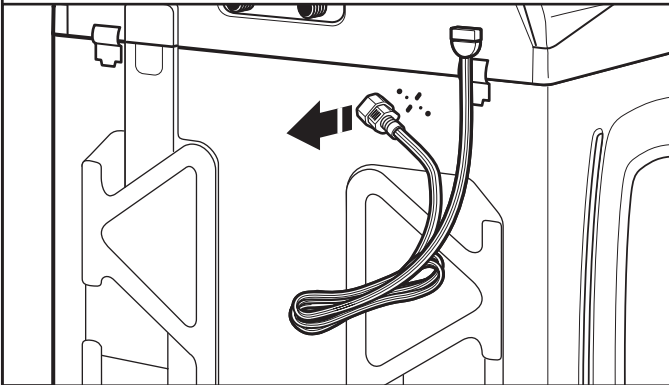
### 3. Retrait du carton plat de la cuve



Retirer le ruban adhésif du couvercle du lave-linge, ouvrir le couvercle et retirer le carton plat d'emballage de la cuve. Veiller à retirer toutes les pièces du carton plat.

**REMARQUE :** Conserver le carton plat au cas où il faudrait déplacer le lave-linge ultérieurement.

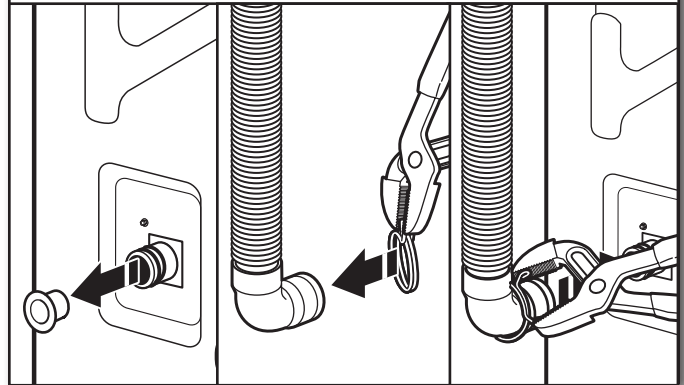
### 4. Libérer le cordon d'alimentation



Saisir fermement le cordon d'alimentation et le tirer pour le libérer du panneau arrière. Placer délicatement le cordon d'alimentation par dessus la console pour permettre le libre accès à l'arrière du lave-linge.

## RACCORDEMENT DU TUYAU DE VIDANGE

### 5. Fixation du tuyau de vidange à l'orifice de vidange



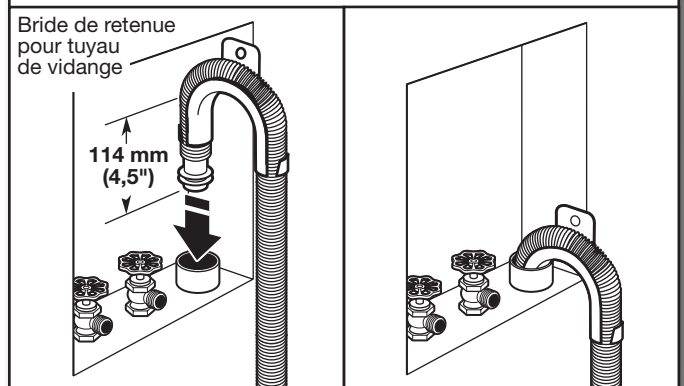
Retirer le bouchon en plastique rouge de l'orifice de vidange noir situé à l'arrière du lave-linge.

Si la bride n'est pas déjà installée sur l'extrémité coudée du tuyau de vidange, la faire glisser sur l'extrémité tel qu'indiqué. Serrer la bride avec une pince et faire glisser à nouveau l'extrémité coudée du tuyau de vidange sur l'orifice de vidange noir, puis fixer avec la bride.

Pour un évier de buanderie ou un tuyau de rejet à l'égout rigide, passer à l'étape 6.

Pour une vidange au plancher, retirer la bride de retenue pour tuyau de vidange préinstallée tel qu'indiqué à l'étape 7. Des pièces supplémentaires avec des instructions distinctes s'avèreront peut-être nécessaires. Voir "Outillage et pièces".

### 6. Placer le tuyau de vidange dans le tuyau de rejet à l'égout

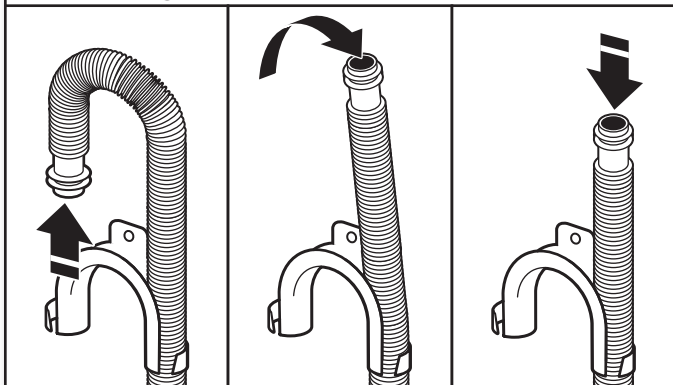


Placer le tuyau dans le tuyau de rejet à l'égout (illustré sur l'image) ou par-dessus le côté de l'évier de buanderie.

**IMPORTANT :** 114 mm (4,5") du tuyau de vidange doit être à l'intérieur du tuyau de rejet à l'égout; ne pas forcer l'excédent de tuyau dans le tuyau de rejet à l'égout ni le placer dans l'évier de buanderie. On doit utiliser la bride de retenue pour tuyau de vidange.



## 7. Retrait de la bride de retenue pour tuyau de vidange (installations avec vidange au plancher uniquement)



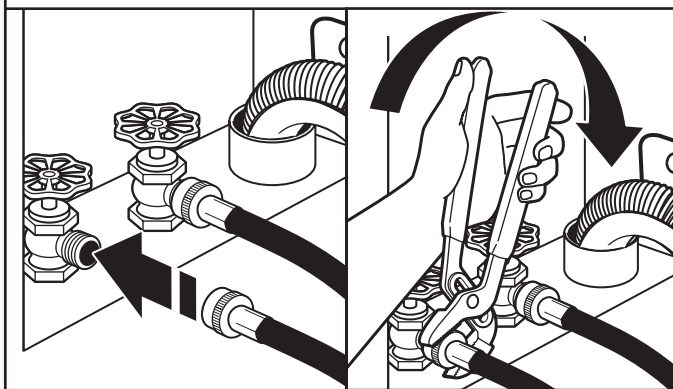
Pour les installations avec vidange au plancher, il faut retirer la bride de retenue pour tuyau de vidange de l'extrémité du tuyau de vidange. Des pièces supplémentaires avec des directives distinctes seront peut-être nécessaires. Voir "Outillage et pièces".

## RACCORDEMENT DES TUYAUX D'ARRIVÉE D'EAU

Le lave-linge doit être raccordé aux robinets à l'aide de tuyaux d'arrivée d'eau neufs dotés de rondelles plates (compris). Ne pas utiliser de tuyaux usagés.

**REMARQUE :** Les deux tuyaux doivent être fixés et l'eau doit pénétrer dans les robinets d'arrivée d'eau. Si l'on effectue un raccordement uniquement à un robinet d'eau froide, on doit utiliser un adaptateur en Y (fourni).

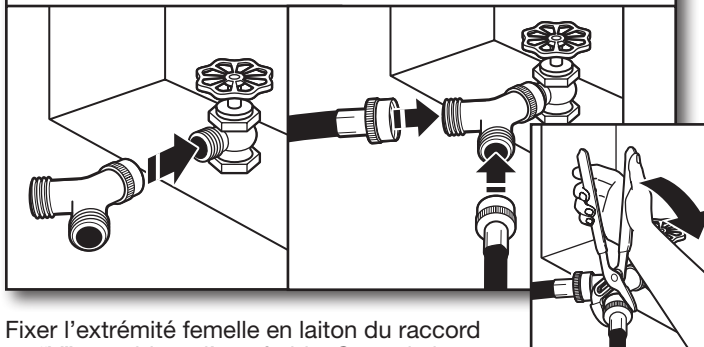
### 8a. Raccorder les tuyaux d'arrivée d'eau aux robinets



Fixer le tuyau au robinet d'eau chaude. Visser le raccord à la main pour qu'il repose sur la rondelle. Serrer les raccords de deux tiers de tour supplémentaires à l'aide d'une pince. Répéter cette étape avec le deuxième tuyau pour le robinet d'eau froide.

**IMPORTANT :** Ne pas serrer excessivement ni utiliser de ruban adhésif ou de dispositif d'étanchéité sur la valve lors de la fixation aux robinets ou au lave-linge. Cela pourrait entraîner des dommages.

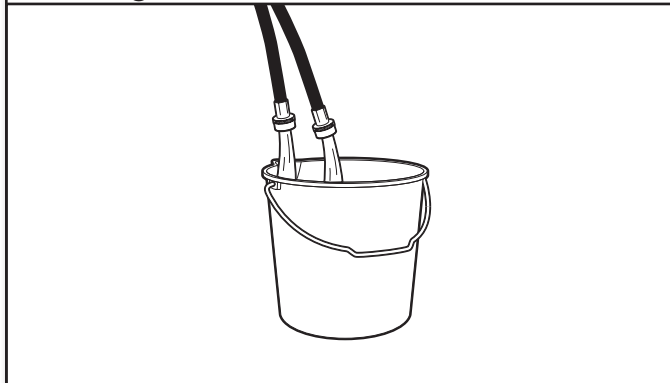
### 8b. Connecter les tuyaux d'arrivée d'eau au raccord en "Y".



Fixer l'extrémité femelle en laiton du raccord en "Y" au robinet d'eau froide. Serrer la bague de deux tiers de tour supplémentaires à l'aide d'une pince. L'une des extrémités du tuyau long comporte un filtre en grillage métallique à l'intérieur de la bague. Fixer cette extrémité au connecteur en "Y". Fixer le tuyau flexible d'arrivée d'eau froide du lave-linge à l'autre extrémité du raccord en "Y". Visser la bague à la main jusqu'à ce qu'elle repose sur le raccord. Terminer le serrage de la bague de deux tiers de tour supplémentaire avec une pince.

**IMPORTANT :** Ne pas serrer excessivement ni utiliser de ruban d'étanchéité ou de pâte à joints pour le raccordement des robinets ou du lave-linge. Cela pourrait entraîner des dommages.

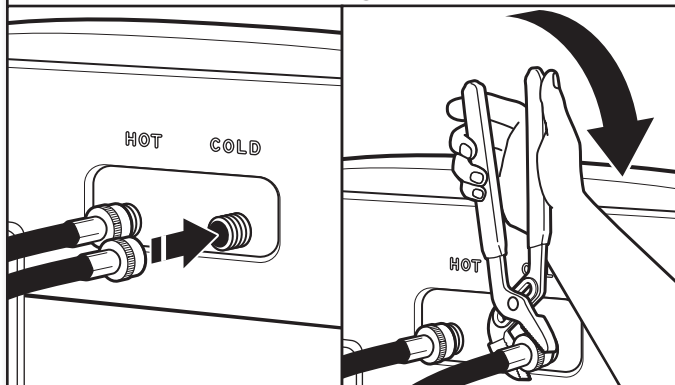
## 9. Purger les canalisations d'eau



Faire couler l'eau par les tuyaux dans l'évier de buanderie, le tuyau de rejet à l'égout ou le seau pendant quelques secondes pour éviter toute obstruction. On doit laisser couler l'eau jusqu'à ce qu'elle soit limpide.

Repérer quel tuyau est raccordé à l'eau chaude pour permettre une fixation correcte des tuyaux au lave-linge.

## 10. Raccorder les tuyaux d'arrivée d'eau au lave-linge

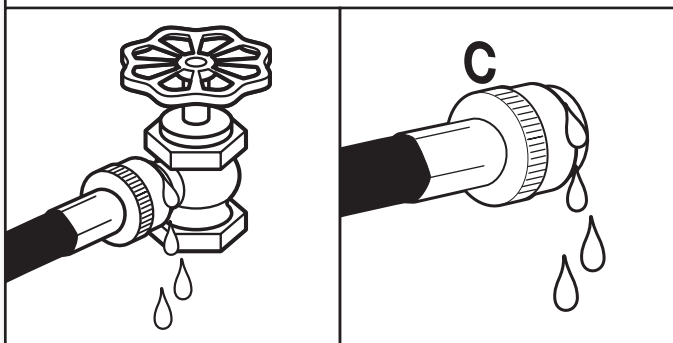


Fixer le tuyau d'eau chaude au robinet d'arrivée d'eau chaude indiquée par une bague rouge. Visser le raccord à la main jusqu'à ce qu'il soit bien serré. Serrer les raccords de deux tiers de tour supplémentaires à l'aide d'une pince. Répéter pour le robinet d'eau froide.

**IMPORTANT :** Pour réduire le risque de défaillance des tuyaux, remplacer les tuyaux tous les 5 ans. Inscrire la date d'installation ou de remplacement des tuyaux pour référence ultérieure.

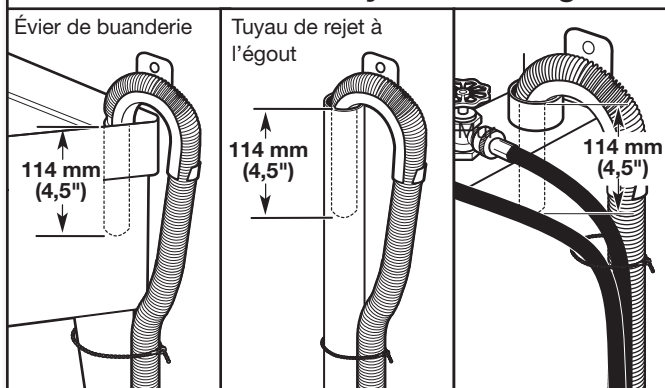
- Inspecter périodiquement les tuyaux et les remplacer en cas de renflement, de déformation, de coupure, d'usure ou si une fuite se manifeste.

## 11. Rechercher les fuites éventuelles



Ouvrir les robinets d'eau pour vérifier qu'il n'y a pas de fuite. Une petite quantité d'eau peut entrer dans le lave-linge. Elle s'évacuera plus tard.

## 12. Immobiliser le tuyau de vidange



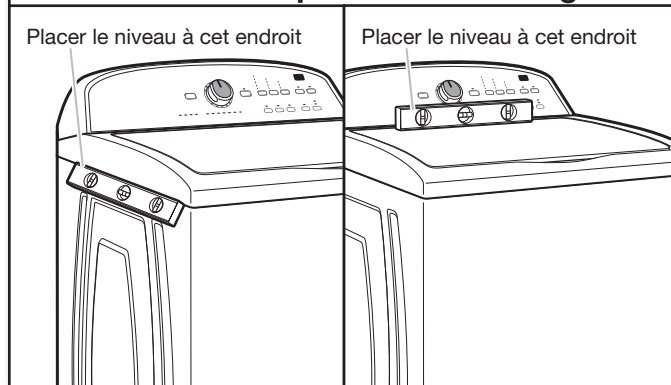
Fixer le tuyau de vidange au pied de l'évier de buanderie, au tuyau de rejet à l'égout ou aux tuyaux d'arrivée d'eau pour le tuyau de rejet à l'égout mural avec l'attache-câble.

Il incombe à l'installateur d'installer et fixer solidement le tuyau de vidange à la canalisation d'évacuation de manière que le tuyau de vidange ne puisse sortir et causer d'éventuelles fuites de la canalisation d'évacuation.

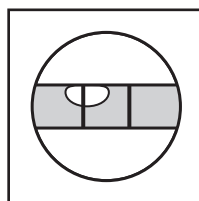
## ÉTABLISSEMENT DE L'APLOMB DU LAVE-LINGE

**IMPORTANT :** L'établissement correct de l'aplomb de le lave-linge permet de réduire les nuisances sonores et de limiter les vibrations.

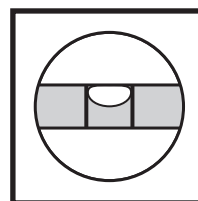
## 13. Contrôler l'aplomb du lave-linge



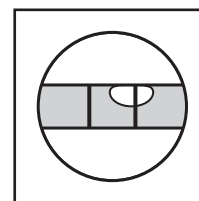
Mettre le lave-linge à son emplacement final. Placer un niveau sur les bords supérieurs du lave-linge. Utiliser une rive latérale comme guide pour déterminer l'aplomb des côtés. Vérifier l'aplomb de l'avant à l'aide du couvercle, tel qu'indiqué. Faire bouger le lave-linge d'avant en arrière pour s'assurer que les quatre pieds sont bien en contact avec le plancher. Si le lave-linge est d'aplomb, passer à l'étape 15 (sur les modèles avec les pieds en métal) ou l'étape 16 (sur les modèles avec les pieds en plastique).



Pas d'aplomb

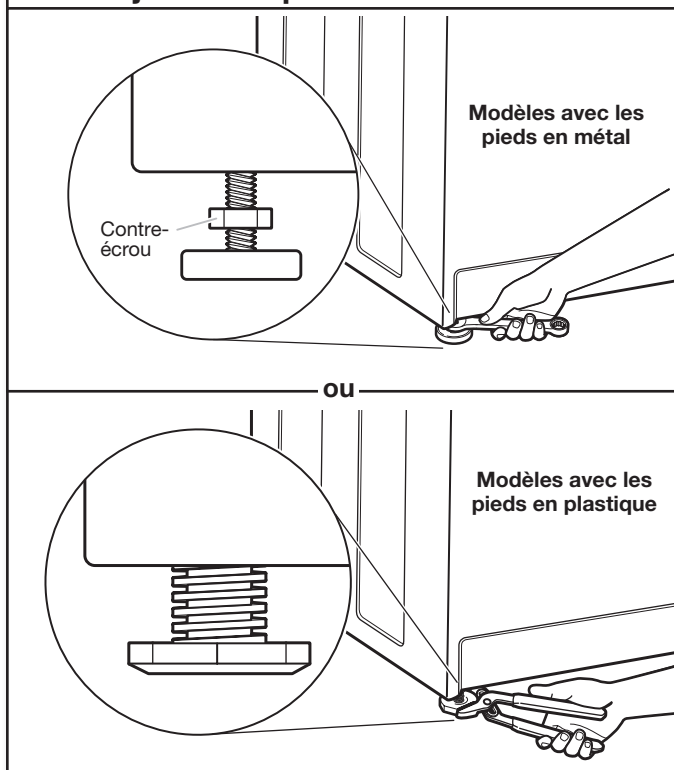


**APLOMB**



Pas d'aplomb

## 14. Ajuster les pieds de nivellement



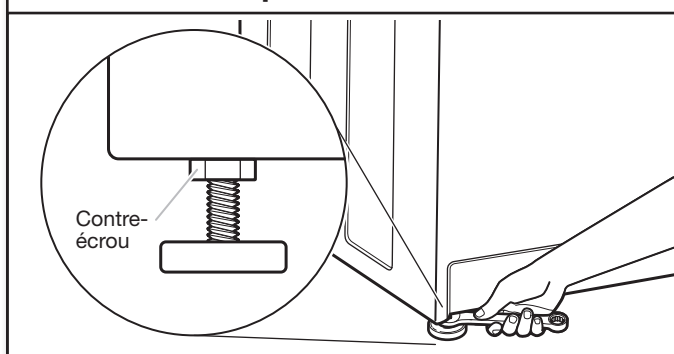
### Si le lave-linge n'est pas d'aplomb :

Sur les modèles avec les pieds en métal, utiliser une clé plate ou une clé à molette de 14 mm ( $\frac{9}{16}$ " ) pour tourner les contre-écrous dans le sens horaire jusqu'à ce qu'ils se trouvent à environ 13 mm ( $\frac{1}{2}$ " ) de la caisse du lave-linge. Tourner ensuite le pied de nivellement dans le sens horaire pour abaisser le lave-linge ou antihoraire pour la soulever.

Sur les modèles avec les pieds en plastique, utiliser une pince réglable pour tourner le pied de nivellement dans le sens antihoraire pour abaisser le lave-linge ou horaire pour la soulever. Sur tous les modèles, contrôler à nouveau l'aplomb du lave-linge et répéter au besoin.

**CONSEIL UTILE :** Il serait judicieux de soulever l'avant du lave-linge d'environ 102 mm (4") à l'aide d'une cale en bois ou d'un objet similaire qui soutiendra le poids du lave-linge.

## 15. Serrer les pieds de nivellement



Sur les modèles avec les pieds en métal, une fois l'aplomb du lave-linge établi, utiliser une clé plate ou une clé à molette de 14 mm ( $\frac{9}{16}$ " ) pour tourner les contre-écrous sur les pieds de nivellement dans le sens anti-horaire et les serrer fermement contre la caisse du lave-linge.

**CONSEIL UTILE :** Il serait judicieux d'étayer le lave-linge à l'aide d'une cale en bois.

## INSTALLATION DU CORDON D'ALIMENTATION

### ⚠ AVERTISSEMENT



#### Risque de choc électrique

Brancher sur une prise à 3 alvéoles reliée à la terre.

Ne pas enlever la broche de liaison à la terre.

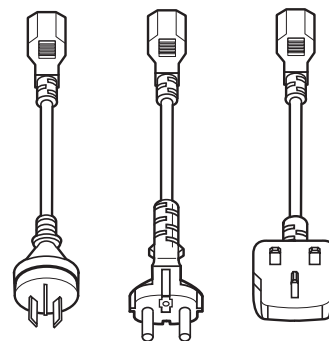
Ne pas utiliser un adaptateur.

Ne pas utiliser un câble de rallonge.

Le non-respect de ces instructions peut causer un décès, un incendie ou un choc électrique.

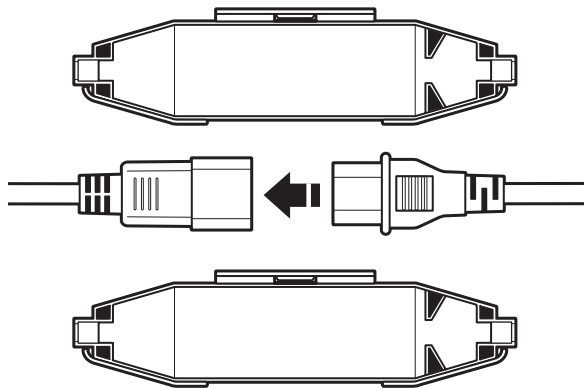
Brancher le cordon d'alimentation électrique dans une prise de courant reliée à la terre. Ouvrir la source d'alimentation électrique.

## 16. Sélectionner la prise



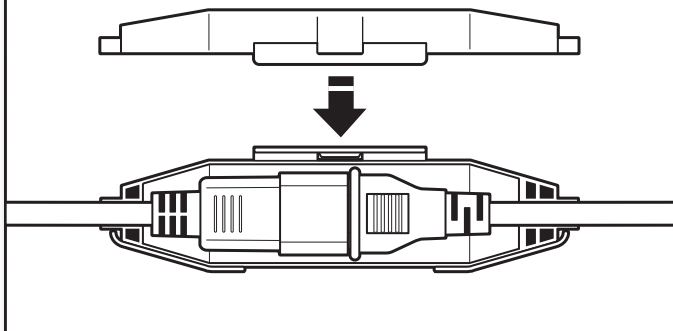
Sélectionner la prise qui correspond à la prise électrique murale.

## 17. Fixer la prise



Fixer la prise à l'extrémité du cordon d'alimentation.

## 18. Fixer le cordon d'alimentation



Fixer le cordon d'alimentation en immobilisant le raccord sur le dispositif de blocage du cordon. Installer le couvercle du dispositif de blocage du cordon et appuyer jusqu'à ce qu'il s'emboîte. S'assurer que le raccord du cordon d'alimentation est immobilisé sur le dispositif de blocage du cordon et que le serrage du dispositif de blocage est correct.

## LISTE DE VÉRIFICATION POUR INSTALLATION TERMINÉE

- Consulter les spécifications électriques. S'assurer de disposer d'une source d'électricité appropriée et d'une liaison à la terre conforme à la méthode recommandée.
- Vérifier que toutes les pièces sont maintenant installées. S'il reste une pièce, passer en revue les différentes étapes pour découvrir laquelle aurait été oubliée.
- Vérifier la présence de tous les outils.
- Vérifier que tout le matériel d'expédition a été retiré du lave-linge.
- Vérifier que les robinets d'eau sont ouverts.
- Vérifier qu'il n'y a pas de fuite autour des robinets et des tuyaux d'arrivée d'eau.
- Ôter la pellicule protectrice de la console et tout ruban adhésif resté sur le lave-linge.
- Vérifier que le lave-linge est branché sur une prise de courant reliée à la terre.
- Éliminer/recycler tous les matériaux d'emballage.
- Lire "Utilisation du lave-linge" dans les Instructions d'utilisation du lave-linge.
- Pour tester et nettoyer le lave-linge, mesurer la moitié de la quantité normale recommandée de détergent en poudre ou liquide et la verser dans le panier du lave-linge ou le distributeur de détergent (sur certains modèles). Fermer le couvercle. Sélectionner n'importe quel programme. Mettre le lave-linge en marche et la laisser exécuter un programme complet.

# SEGURIDAD DE LA LAVADORA

## Su seguridad y la seguridad de los demás es muy importante.

Hemos incluido muchos mensajes importantes de seguridad en este manual y en su electrodoméstico. Lea y obedezca siempre todos los mensajes de seguridad.



Este es el símbolo de advertencia de seguridad.

Este símbolo le llama la atención sobre peligros potenciales que pueden ocasionar la muerte o una lesión a usted y a los demás.

Todos los mensajes de seguridad irán a continuación del símbolo de advertencia de seguridad y de la palabra "PELIGRO" o "ADVERTENCIA". Estas palabras significan:

**⚠ PELIGRO**

Si no sigue las instrucciones de inmediato, usted puede morir o sufrir una lesión grave.

**⚠ ADVERTENCIA**

Si no sigue las instrucciones, usted puede morir o sufrir una lesión grave.

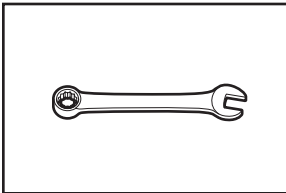
Todos los mensajes de seguridad le dirán el peligro potencial, le dirán cómo reducir las posibilidades de sufrir una lesión y lo que puede suceder si no se siguen las instrucciones.

## REQUISITOS DE INSTALACIÓN

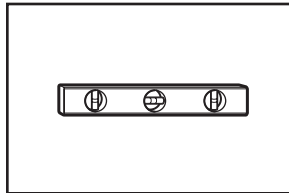
### Herramientas y piezas

Reúna las herramientas y piezas necesarias antes de comenzar la instalación.

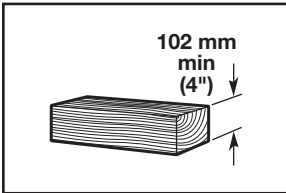
#### Herramientas necesarias:



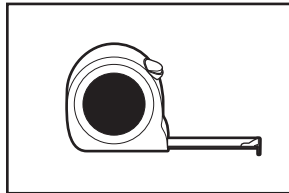
Llave de tuerca ajustable o fija de 14 mm (9/16")



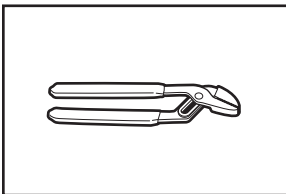
Nivel



Bloque de madera



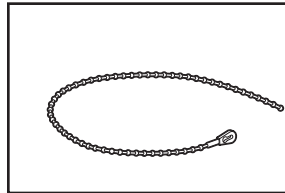
Regla o cinta para medir



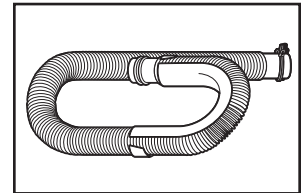
Tenazas que se abren a 44,5 mm (1 3/4")

#### Piezas suministradas:

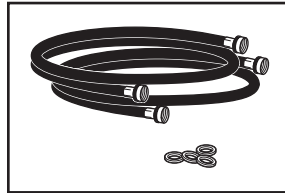
**NOTA:** Todas las piezas suministradas para la instalación están en una caja de cartón aparte, en la parte superior de la lavadora.



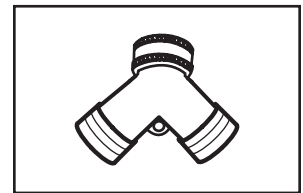
Brida para cables



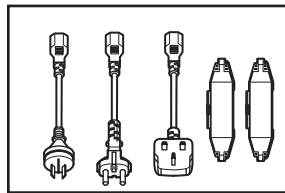
Manguera de desagüe con abrazadera



Mangueras de entrada con arandelas planas



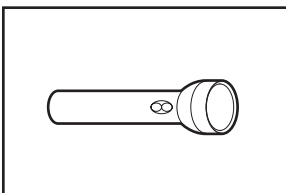
Conector en "Y"



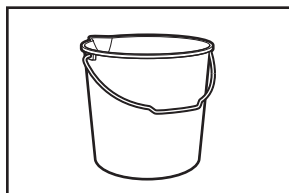
Enchufes y cubierta de la traba del cable

#### Piezas alternativas: (No se suministran con la lavadora)

Su instalación puede requerir piezas adicionales. Para hacer un pedido, contacte con el distribuidor al que compró la lavadora o con un centro de servicios autorizado.



Linterna

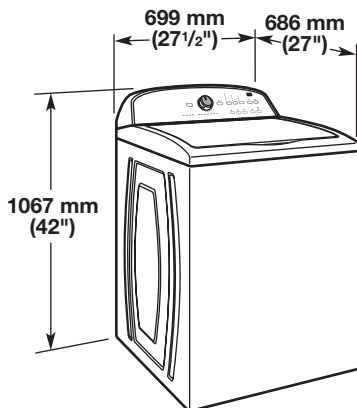


Cubo

Si tiene:	Necesitará:
Sumidero suspendido	Tina de desagüe estándar de 76 l suspendida 20 gal.), 990 mm (39") de altura o fregadero, bomba de sumidero y conectores (disponible a través de proveedores locales)
Tubo vertical de 25 mm (1") de diámetro	Kit adaptador de tubo vertical de 51 mm (2") de diámetro a 25 mm (1") de diámetro, pieza número 3363920 Juego de conectores, pieza número 285835
Manguera de desagüe corta	Kit de desagüe, pieza número 285863 Kit de conectores, pieza número 285835
Desagüe obstruido por pelusa	Protector del desagüe, pieza número 367031 Kit de conectores, pieza número 285835

## REQUISITOS DE UBICACIÓN

Seleccione una ubicación apropiada para su lavadora, para mejorar el rendimiento y reducir al mínimo el ruido y los posibles desplazamientos a la lavadora. Instale su lavadora en un sótano, cuarto para lavar, clóset o un lugar empotrado.



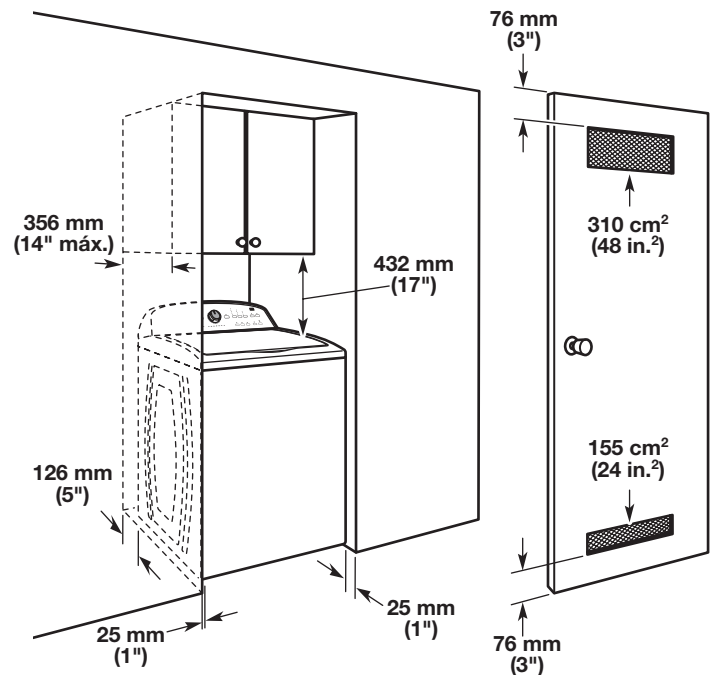
### Se necesita:

- Un calentador de agua configurado a 49°C (120°F).
- Una toma de corriente con conexión a tierra situado a no más de 1,2 m (4 pies) del cable eléctrico en la parte posterior de la lavadora.
- Grifos de agua caliente y de agua fría ubicados a una distancia inferior a 0,9 m (3 pies) de las válvulas de llenado del agua caliente y fría de la lavadora y con presión de agua de 138–690 kPa (20–100 lb/pulg<sup>2</sup>).
- Un piso nivelado con una inclinación máxima de 25 mm (1") debajo de la lavadora. No se recomienda la instalación sobre alfombras.
- El piso debe soportar el peso total de la lavadora (con el agua y la carga) de 143 kg (315 lb).

**IMPORTANTE:** No instale, guarde ni utilice la lavadora en lugares expuestos a la intemperie o a temperaturas por debajo de 0°C (32°F). El agua que queda en la lavadora después del uso puede causar daños a muy bajas temperaturas. Consulte "Cuidado de la lavadora" en el "Manual de uso y cuidado", para saber cómo acondicionarla para el invierno.

La instalación correcta es su responsabilidad.

## Instalación en zona empotrada o en el clóset

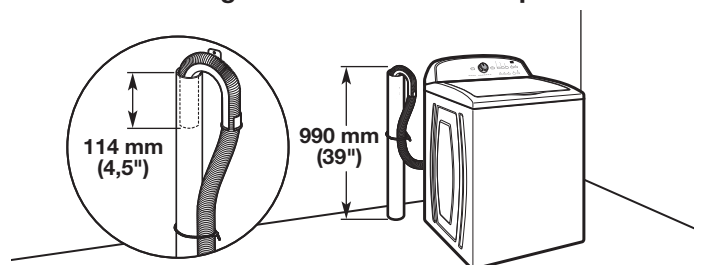


Las dimensiones muestran los espacios permitidos recomendados, excepto por las aberturas de ventilación de la puerta del clóset, las cuales son las mínimas necesarias. Esta lavadora ha sido probada para la instalación en espacios con 0 mm (0") en los costados. Considere dejar más espacio para facilitar la instalación y el servicio técnico, así como espacio para electrodomésticos que le acompañen y espacios libres para las molduras de la pared, de la puerta y del piso. Agregue un espacio adicional de 25 mm (1") en todos los lados de la lavadora para reducir la transferencia de ruido. Si se instala una puerta de clóset o de tipo persiana, es necesario que tenga aberturas para el aire en la parte superior e inferior.

## SISTEMA DE DESAGÜE

El sistema de desagüe de la lavadora se puede instalar utilizando un desagüe de piso, un tubo vertical de pared, un tubo vertical de piso o un lavadero. Seleccione el método que necesita.

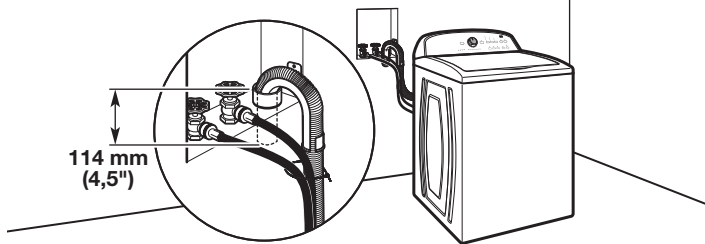
### Sistema de desagüe de tubo vertical de piso



Diámetro mínimo para el desagüe de tubo vertical: 51 mm (2"). Capacidad de desplazamiento mínima: 64 l (17 por minuto). La parte superior del tubo vertical debe estar a 990 mm (39") de altura como mínimo; no la instale a más de 1,22 m (48") de la base de la lavadora. Si está a más de 1,22 m (48"), necesitará un sistema de bomba de sumidero.

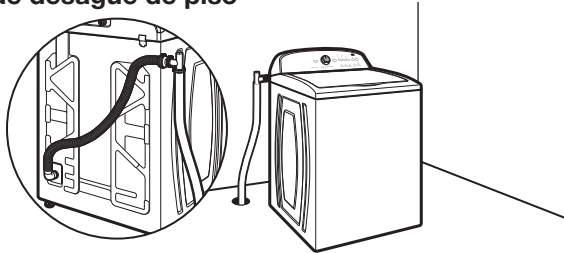


## Sistema de desagüe de tubo vertical de pared



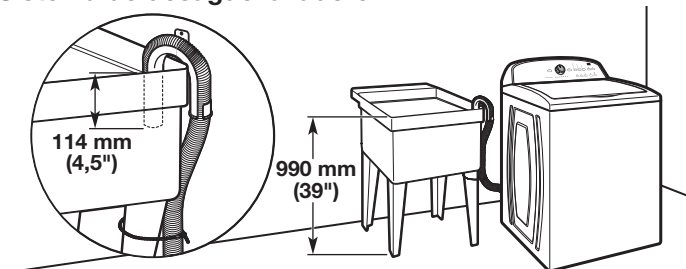
Vea los requisitos para el sistema de desagüe de tubo vertical de piso.

## Sistema de desagüe de piso



Un sistema de desagüe por el piso requiere un kit de desviación de sifón (pieza número 285834), 2 kits de conectores (pieza número 285385) y extensión de manguera de desagüe (pieza número 285863), que puede comprarse por separado. Para realizar el pedido, llame los números gratuitos que figuran en el "Manual de uso y cuidado". Desviación de sifón mínima: 710 mm (28") desde la base de la lavadora. (Se pueden necesitar mangueras adicionales.)

## Sistema de desagüe lavadero



Capacidad mínima: 76 l (20 gal.). La parte superior de la tina del lavadero debe estar a 990 mm (39") del piso como mínimo; instálela a no más de 1,22 m (48") de la base de la lavadora.

**IMPORTANTE:** Para evitar el efecto de sifón, no debe haber más de 114 mm (4,5") de manguera de desagüe dentro del tubo vertical o debajo de la parte superior de la tina de lavado. Ajuste siempre la manguera de desagüe con un fleje de atadura rebordado.

## REQUISITOS ELÉCTRICOS

### ⚠ ADVERTENCIA



#### Peligro de Choque Eléctrico

**Conecte a un contacto de pared de conexión a tierra de 3 terminales.**

**No quite la terminal de conexión a tierra.**

**No use un adaptador.**

**No use un cable eléctrico de extensión.**

**No seguir estas instrucciones puede ocasionar la muerte, incendio o choque eléctrico.**

**CUIDADO:** Para evitar riesgos debidos al reajuste accidental del termofusible, esta lavadora no se debe suministrar con un dispositivo externo de encendido, como puede ser un temporizador, ni conectarse a un circuito que se encienda y se apague regularmente con el aparato.

- Se necesita un suministro eléctrico de 220 - 240 voltios, 60 Hz, CA solamente, de 10 amperios y protegido con fusibles. Se recomienda un fusible de acción retardada o un disyuntor, en un circuito independiente que preste servicio únicamente a este aparato.
- Esta lavadora viene equipada con un cable eléctrico dotado de un enchufe de 3 clavijas con conexión a tierra. Si se daña el cable de alimentación, deberá ser reemplazado por el fabricante, un técnico de servicio o una persona cualificada, para evitar riesgos.
- Para reducir al mínimo el peligro de posibles descargas eléctricas, el cable debe enchufarse en una toma de corriente apropiada de 3 clavijas, con conexión a tierra de acuerdo con la normativa local vigente. Si no hay disponible una salida equivalente, es responsabilidad y obligación del cliente disponer de un tomacorriente apropiado con conexión a tierra instalado por un electricista cualificado.
- Si los códigos lo permiten y se emplea un cable de conexión a tierra separado, es recomendable que un electricista cualificado determine si la trayectoria de conexión a tierra es adecuada.
- No conecte la toma a tierra a conductos de gas.
- Si no está seguro de que la conexión a tierra de la lavadora sea la adecuada, verifíquela con un electricista competente.
- No coloque un fusible en el circuito neutro o de puesta a tierra.

## INSTRUCCIONES PARA LA CONEXIÓN A TIERRA

### Para una lavadora conectada a tierra con cable eléctrico:

Esta lavadora debe conectarse a tierra. En caso de funcionamiento defectuoso o avería, la conexión a tierra reducirá el riesgo de choque eléctrico al proporcionar una vía de menor resistencia para la corriente eléctrica. Esta lavadora viene equipada con un cable eléctrico que tiene un conductor de conexión a tierra del equipo y un enchufe con conexión a tierra. El enchufe debe conectarse en un contacto de pared apropiado que haya sido debidamente instalado y conectado a tierra de conformidad con todos los códigos y ordenanzas locales.

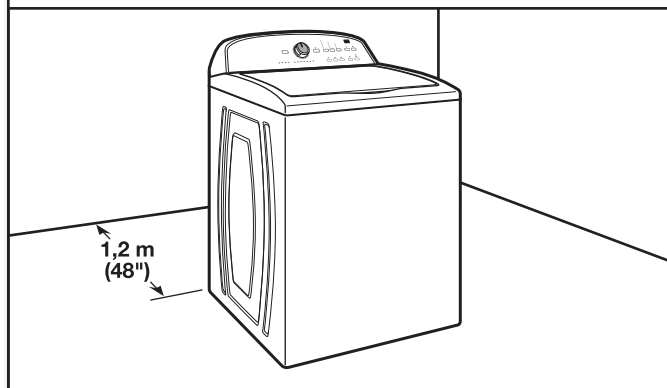
**ADVERTENCIA:** La conexión incorrecta de la terminal de conexión a tierra del equipo puede ocasionar un riesgo de choque eléctrico. Consulte con un electricista o técnico en reparaciones calificado si tiene duda alguna en cuanto a la conexión a tierra correcta del electrodoméstico.

No modifique el enchufe provisto con el electrodoméstico. Si éste no encaja en el contacto de pared, pida a un electricista calificado que le instale un contacto de pared apropiado.

### Para una lavadora con contacto eléctrico permanente:

Esta lavadora debe estar conectada a un sistema de cableado de metal permanente, conectado a tierra, o se debe tender un conducto para la conexión a tierra del equipo con los conductores de circuito y conectado a la terminal de tierra del equipo o al conductor de suministro del electrodoméstico.

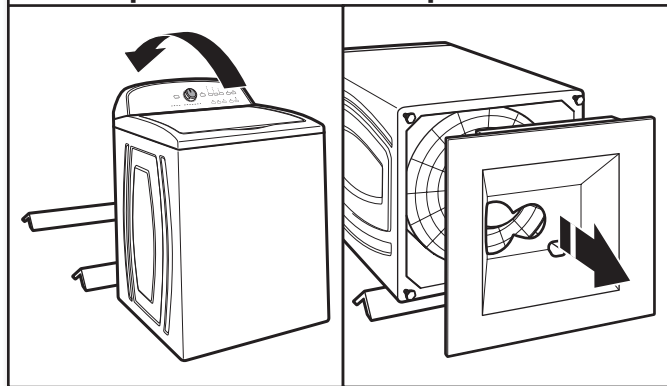
## 1. Mueva la lavadora



Mueva la lavadora a 1,2 m (4 pies) de su ubicación final. Debe estar en posición vertical.

**NOTA:** Para evitar daños en el piso, coloque la lavadora sobre un cartón antes de moverla y asegúrese de que la tapa esté cerrada con cinta adhesiva.

## 2. Saque la base de transporte



Para evitar daños en el piso, coloque trozos de cartón del embalaje sobre el piso, detrás de la lavadora. Incline hacia atrás la lavadora y colóquela sobre el cartón. Quite la base de transporte y ponga la lavadora en posición vertical.

**IMPORTANTE:** Para un funcionamiento adecuado es necesario quitar la base de transporte. Si su lavadora incluye un aislador de sonido, consulte las instrucciones incluidas con el mismo para instalarlo en este momento.

## INSTRUCCIONES DE INSTALACIÓN

### ⚠ ADVERTENCIA

#### Peligro de Peso Excesivo

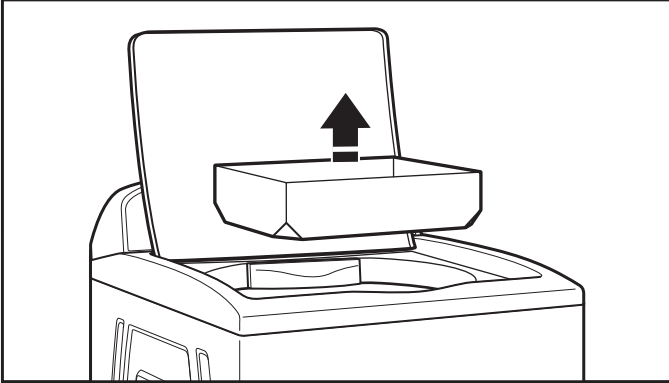
Use dos o más personas para mover e instalar la lavadora.

No seguir esta instrucción puede ocasionar una lesión en la espalda u otro tipo de lesiones.

#### Antes de comenzar: Cómo quitar los materiales de transporte

Es necesario quitar todo el material de transporte para un funcionamiento adecuado y para evitar un ruido excesivo de la lavadora.

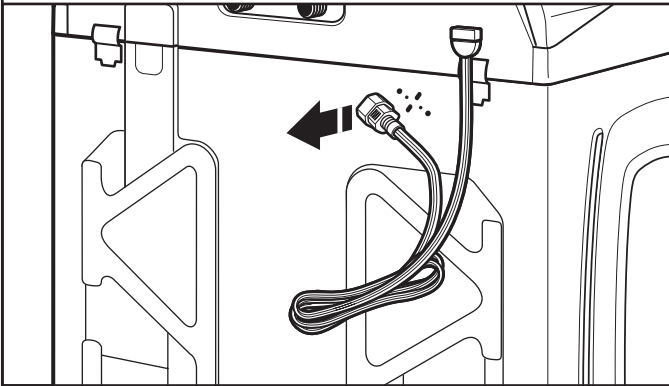
### 3. Saque la bandeja de embalaje del tambor



Quite la cinta adhesiva de la tapa de la lavadora, abra la tapa y saque la bandeja de embalaje de cartón del tambor. Cercirese de sacar todas las piezas de la bandeja.

**NOTA:** Guarde la bandeja por si necesita mover la lavadora ms tarde.

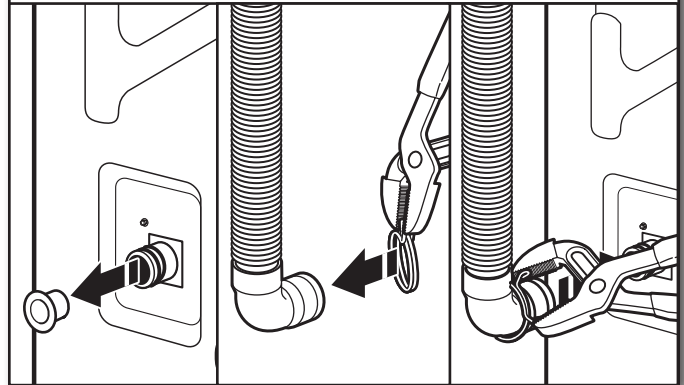
### 4. Libere el cable elctrico



Sujete y tire con firmeza del cable elctrico para liberarlo por completo del panel posterior. Despus coloque el cable elctrico con cuidado sobre la consola para permitir un acceso sin obstrucciones a la parte posterior de la lavadora.

## CONEXIN DE LA MANGUERA DE DESAGE

### 5. Acople la manguera de desague al puerto de desague



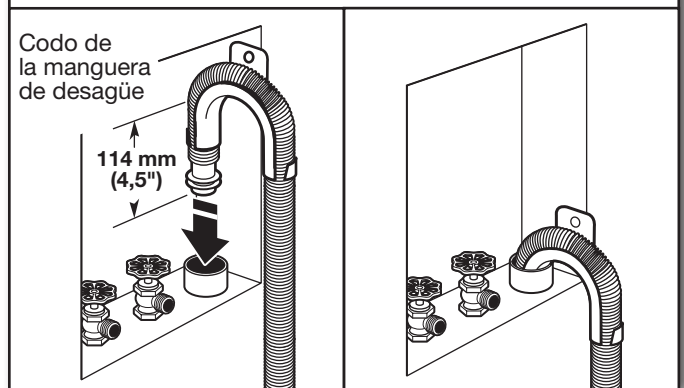
Quite el tapn de plstico rojo de la toma de desague negro en la parte posterior de la lavadora.

Si la abrazadera no est en su sitio, en el el codo de la manguera de desague, colquelo en su sitio como se muestra. Apriete la abrazadera con unas tenazas y deslice el extremo de la manguera de desague con el codo negro sobre el puerto de desague negro. Asegrelo con la abrazadera.

Para la instalacin con un lavadero o una tubera vertical, vaya al paso 6.

Para un desague por el piso, quite el codo para fijar de la manguera de desague instalado previamente, como se muestra en el paso 7. Podra necesitar piezas adicionales con indicaciones por separado. Consulte "Piezas y herramientas".

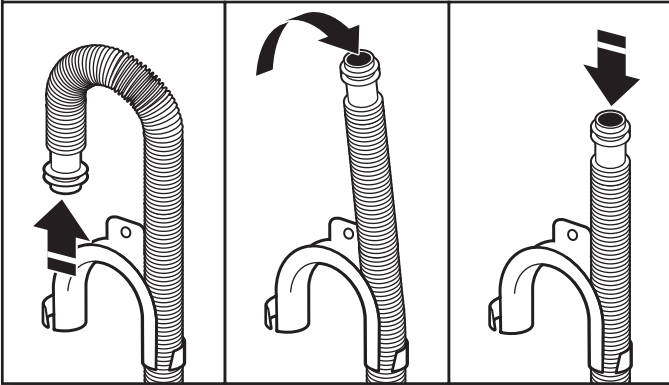
### 6. Coloque la manguera de desague en el tubo vertical



Coloque la manguera dentro del tubo vertical (como se muestra en la ilustracin) o sobre el lateral del lavadero.

**IMPORTANTE:** No debe haber ms de 114 mm (4,5") de manguera de desague dentro del tubo vertical; no fuerce el exceso de la manguera dentro del tubo vertical, ni lo coloque en el fondo del lavadero. Es necesario utilizar el codo de la manguera de desague.

## 7. Desinstalación del codo de la manguera de desagüe (instalaciones con desagüe por el piso)



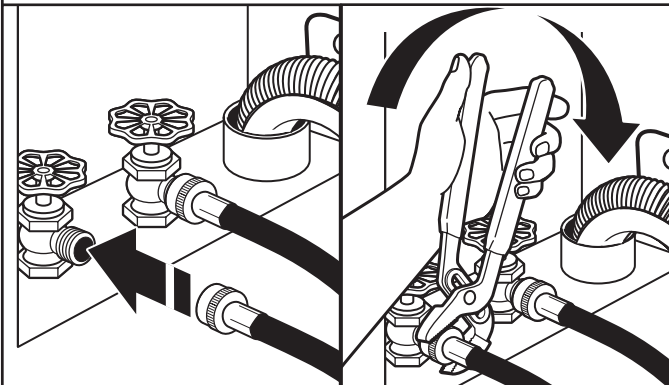
Para las instalaciones con desagüe por el piso, necesitará quitar el molde de la manguera de desagüe del extremo de la misma. Puede que necesite piezas adicionales con instrucciones por separado. Consulte "Piezas y herramientas".

## CONEXIÓN DE LAS MANGUERAS DE ENTRADA

La lavadora debe estar conectada a los grifos de agua con mangueras de entrada nuevas y arandelas planas (provistas). No use mangueras viejas.

**NOTA:** Deben conectarse ambas mangueras y tener flujo de agua a las válvulas de llenado. Si sólo va a conectar a un grifo de agua fría, deberá utilizar un adaptador en Y (suministrado).

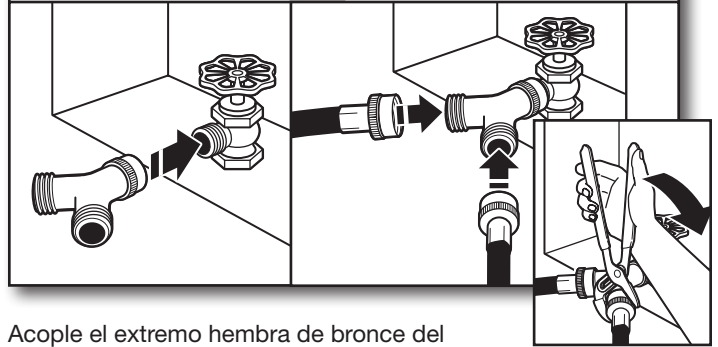
### 8a. Conecte las mangueras de entrada a los grifos del agua



Conecte la manguera al grifo de agua caliente. Enrosque el acoplamiento con la mano hasta que quede asentado en la lavadora. Utilice unas tenzas para apretar los acoplamientos dos tercios de vuelta adicionales. Repita este paso con la segunda manguera para el grifo de agua fría.

**IMPORTANTE:** No apriete en exceso ni use cinta o selladores en la válvula. Puede dañarse.

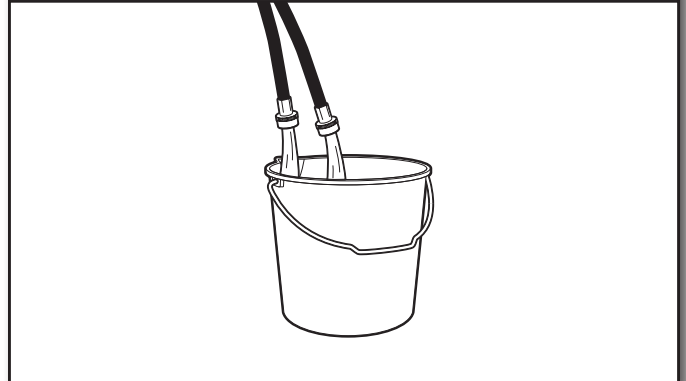
### 8b. Conecte las mangueras de entrada al conector en "Y"



Acople el extremo hembra de bronce del conector en "Y" al grifo de agua fría. Use tenzas para apretar los acoplamientos dos tercios de vuelta adicional. Uno de los extremos de la manguera larga tiene un filtro de malla de alambre dentro del acoplamiento. Acople este extremo al conector en "Y". Fije la manguera de entrada de agua fría de la lavadora al otro extremo del conector en "Y". Atornille el acoplamiento con la mano hasta que quede asentado en el conector. Apriete los acoplamientos dos tercios de vuelta adicional con las tenzas.

**IMPORTANTE:** No apriete en exceso ni use cinta o selladores en la válvula cuando la sujete a los grifos o a la lavadora. Puede ocasionar daños.

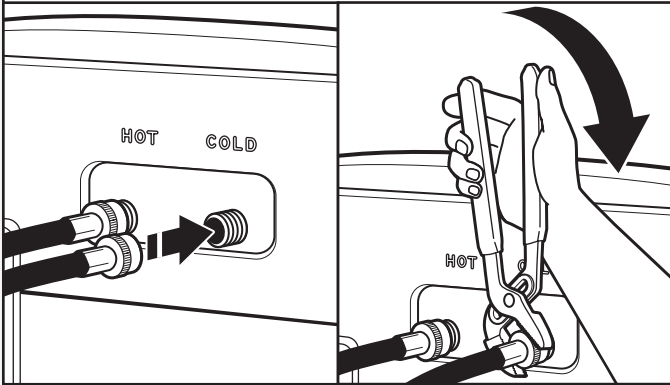
### 9. Despeje las tuberías de agua



Deje correr agua durante unos segundos por las mangueras, a un lavadero, tubo de desagüe o cubo para evitar obstrucciones. El agua debe correr hasta que salga limpia.

Anote qué manguera está conectada al agua caliente para conectar las mangueras a la lavadora correctamente.

## 10. Conecte las mangueras de entrada a la lavadora

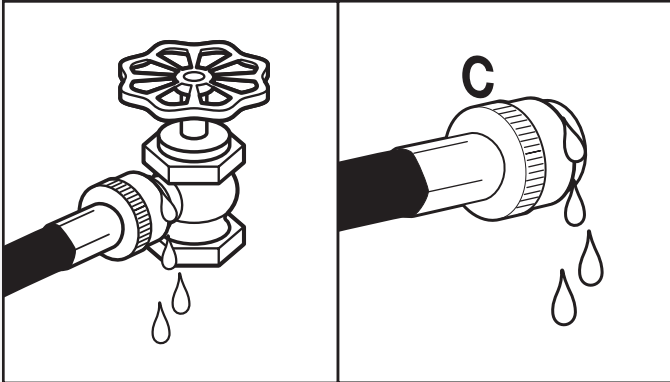


Acople la manguera de agua caliente a la válvula de entrada del agua caliente, marcada con un anillo rojo. Enrosque el acoplamiento a mano hasta que quede apretado. Use tenazas para apretar los acoplamientos dos tercios de vuelta adicional. Repítalo con la válvula de entrada del agua fría.

**IMPORTANTE:** Para reducir el riesgo de que las mangueras fallen, reemplácelas cada 5 años. Para consulta en el futuro, anote en las mangueras la fecha de instalación o la fecha de reposición de las mismas.

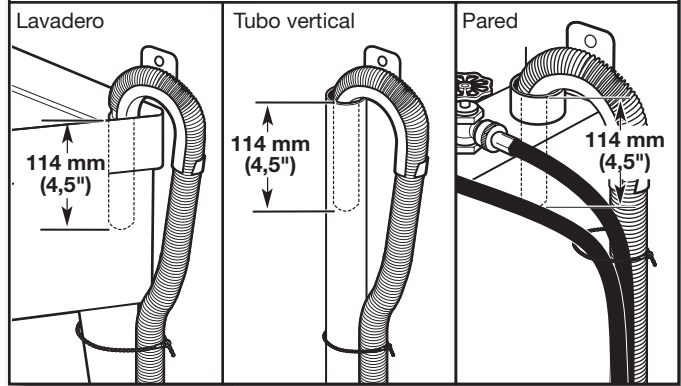
- Inspeccione periódicamente y reemplace las mangueras si aparecen bultos, torceduras, cortaduras, desgaste o filtraciones de agua.

## 11. Compruebe si hay fugas



Abra los grifos del agua para comprobar si hay fugas de agua. Una pequeña cantidad de agua podría entrar en la lavadora. Ésta se eliminará más tarde.

## 12. Asegure la manguera de desagüe



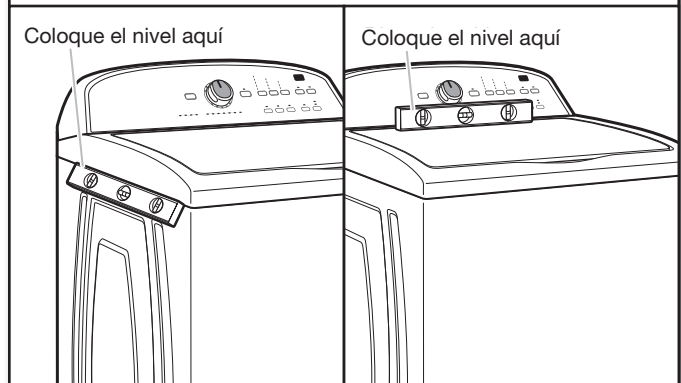
Asegure la manguera de desagüe a la pata del lavadero, al tubo vertical o a las mangueras de entrada para el tubo vertical de pared con una brida para cables.

Es responsabilidad del instalador instalar y asegurar la manguera de desagüe a la tubería para impedir que haya fugas.

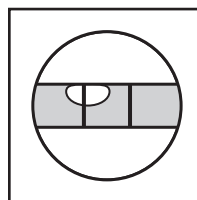
## NIVELADO DE LA LAVADORA

**IMPORTANTE:** Nivelar adecuadamente la lavadora reduce el ruido y la vibración en exceso.

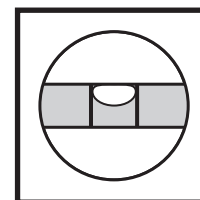
## 13. Compruebe que la lavadora está nivelada



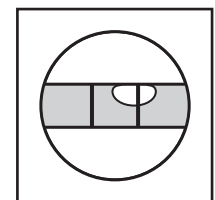
Con la lavadora en su ubicación final, coloque un nivel en los bordes superiores de la lavadora. Use la hendidura lateral como guía para comprobar que los laterales están nivelados. Compruebe que la parte frontal está nivelada usando la tapa, como se muestra. Mueva la lavadora hacia delante y hacia atrás para asegurarse de que las 4 patas se apoyan firmemente en el piso. Si la lavadora está nivelada, vaya al paso 15 (en los modelos con las patas de metal) o al paso 16 (en los modelos con las patas de plástico).



No está nivelada



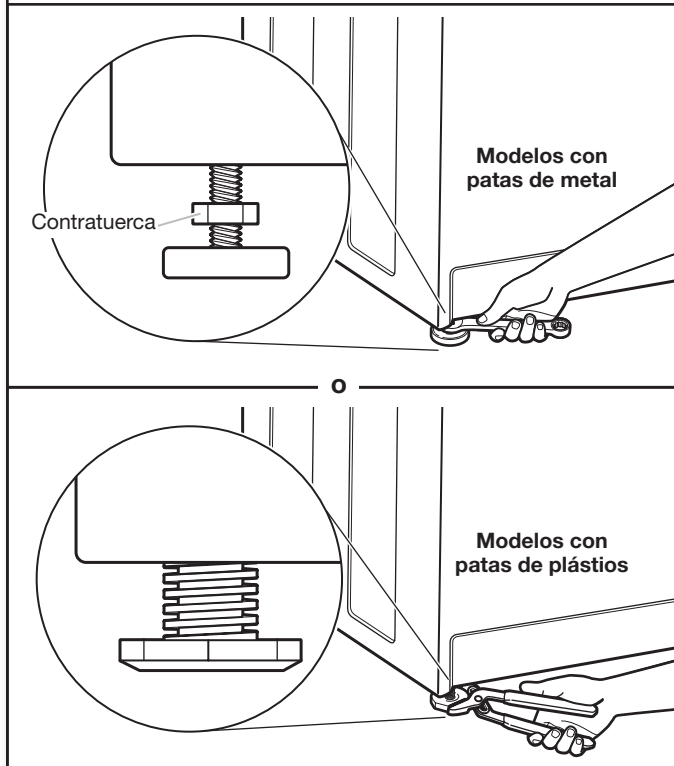
**NIVELADA**



No está nivelada



## 14. Cómo ajustar las patas regulables



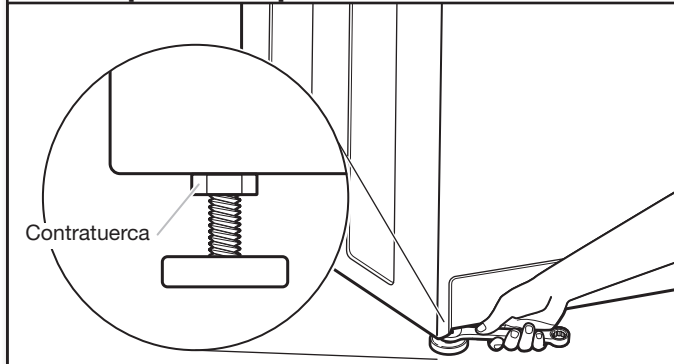
### Si la lavadora no está nivelada:

En los modelos con las patas de metal, use una llave de tuercas de  $\frac{9}{16}$ " ó 14 mm o una llave ajustable para girar las contratuercas hacia la derecha sobre las patas, hasta que estén a aproximadamente a 13 mm ( $\frac{1}{2}$ " ) del cuerpo de la lavadora. Luego gire la pata niveladora hacia la derecha para bajar la lavadora, o hacia la izquierda para levantarla.

En los modelos con las patas de plástico, use las tenazas ajustables para girar la pata niveladora de plástico hacia la izquierda para bajar la lavadora o hacia la derecha para levantarla. En todos los modelos, compruebe nuevamente que la lavadora está nivelada y repita el procedimiento según sea necesario.

**CONSEJO ÚTIL:** Puede apuntalar el frente de la lavadora aproximadamente 102 mm (4") con un bloque de madera o un objeto similar que vaya a soportar el peso de la lavadora.

## 15. Apriete las patas niveladoras



Cuando la lavadora esté nivelada, use una llave de tuercas ajustable o fija de  $\frac{9}{16}$ " ó 14 mm para girar las contratuercas en las patas hacia la izquierda, apretándolas contra el cuerpo de la lavadora.

**CONSEJO ÚTIL:** Puede apuntalar la lavadora con un bloque de madera.

## INSTALACIÓN DEL CABLE ELÉCTRICO

### ⚠ ADVERTENCIA



#### Peligro de Choque Eléctrico

Conecte a un contacto de pared de conexión a tierra de 3 terminales.

No quite la terminal de conexión a tierra.

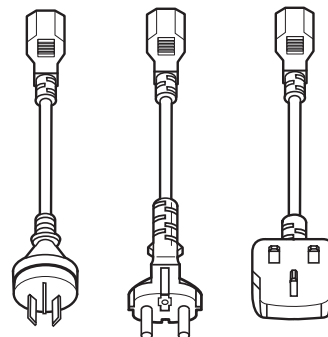
No use un adaptador.

No use un cable eléctrico de extensión.

No seguir estas instrucciones puede ocasionar la muerte, incendio o choque eléctrico.

Enchufe el cable de alimentación en un tomacorriente con conexión a tierra. Encienda el suministro de energía.

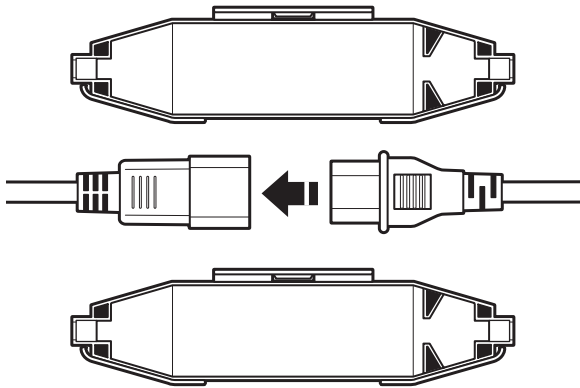
## 16. Seleccione el enchufe



Seleccione el enchufe que encaje en el tomacorriente.

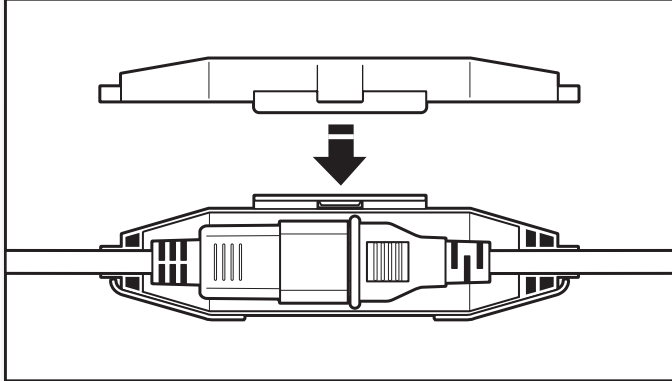


## 17. Ensamble el enchufe



Ensamble el enchufe dentro del extremo del cable eléctrico, ubicado en la parte posterior de la lavadora.

## 18. Asegure el cable eléctrico



Asegure el cable eléctrico colocando la conexión en la caja para bloqueo de enchufes. Coloque la tapa de la caja y empuje hasta que encaje a presión. Cerciérese de que la conexión del cable eléctrico esté colocado en la caja para bloqueo de enchufes y que se sujeta correctamente.

## LISTA DE COMPROBACIÓN DE LA INSTALACIÓN TERMINADA

- Revise los requisitos eléctricos. Asegúrese de contar con la alimentación eléctrica correcta y el método recomendado de conexión a tierra.
- Verifique que todas las piezas están instaladas. Si hay alguna pieza que no está instalada, vuelva a revisar todos los pasos para ver dónde va la pieza.
- Verifique que tiene todas las herramientas.
- Compruebe que los materiales de transporte se han quitado por completo de la lavadora.
- Compruebe que los grifos de agua están abiertos.
- Compruebe si hay fugas alrededor de los grifos y de las mangueras de entrada.
- Quite la película de la consola y la cinta que quede en la lavadora.
- Compruebe que la lavadora está enchufada en una toma de corriente con conexión a tierra.
- Deshágase de todos los materiales de embalaje o recíclelos.
- Lea el apartado “Cuidados de la lavadora” en el “Manual de uso y cuidado de la lavadora”.
- Para probar y limpiar su lavadora, vierta la mitad de la cantidad normal recomendada de detergente en polvo o líquido en el tambor de la lavadora o en el depósito de detergente (en algunos modelos). Cierre la tapa. Seleccione cualquier ciclo. Ponga en marcha la lavadora y deje que termine un ciclo completo.

W10589601C

© 2015

All rights reserved.

Tous droits réservés.

Todos los derechos reservados.