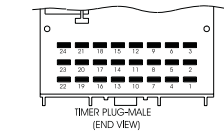
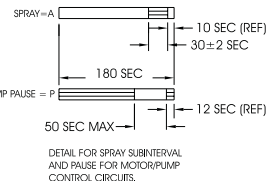
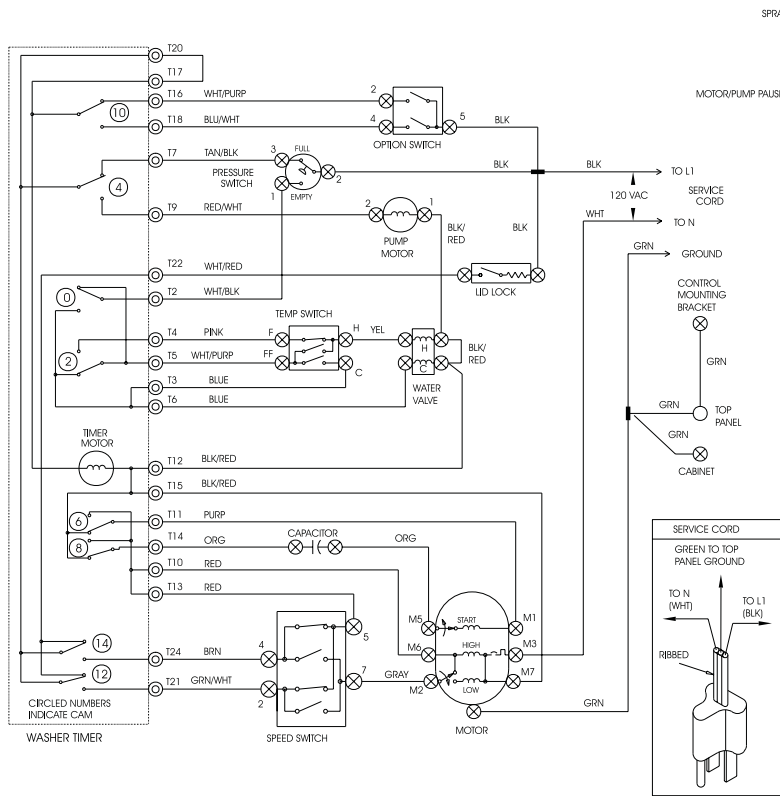
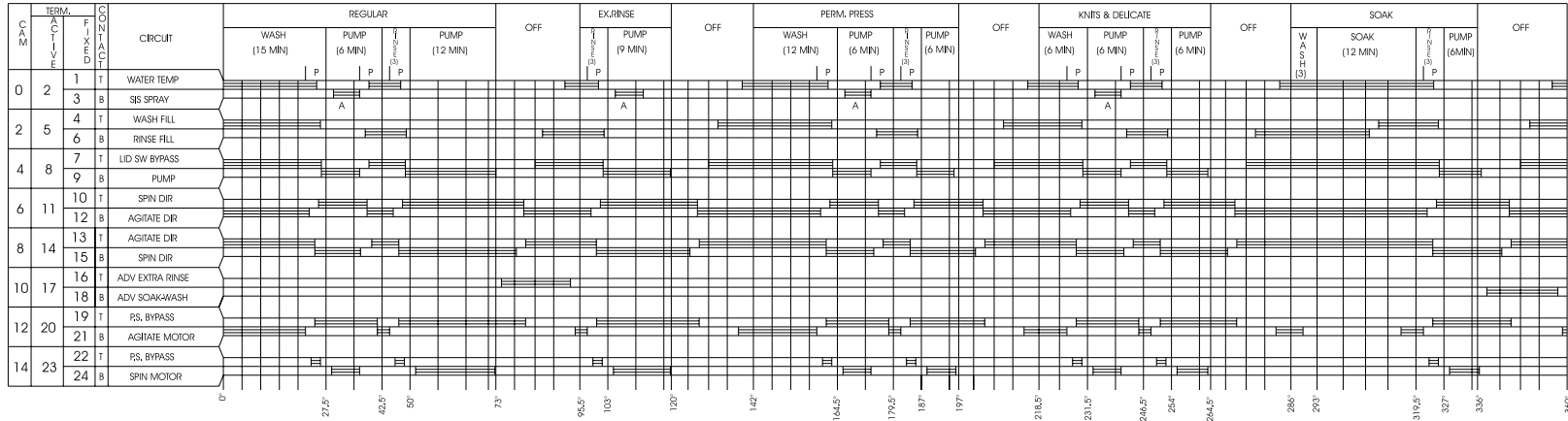


CAUTION: DISCONNECT ELECTRIC CURRENT BEFORE SERVICING

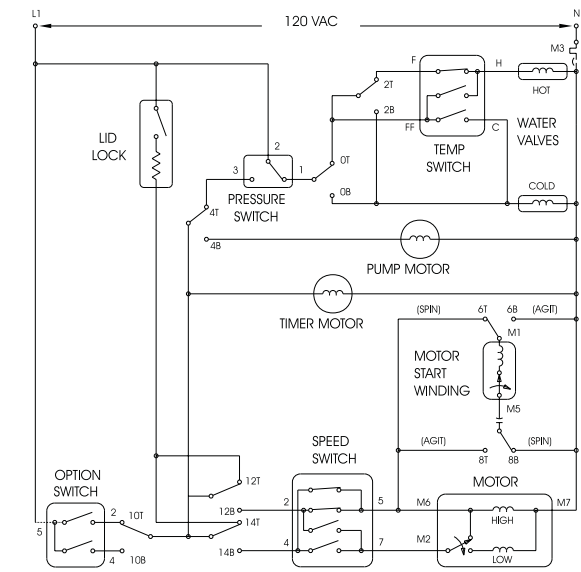


- WIRING CODES**
- ⊙ PLUG IN TIMER TERMINAL
 - ⊗ QUICK DISCONNECT TERMINAL
 - SCREW TERMINAL
 - CONNECTION
 - + NO CONNECTION
 - ⊕ MOTOR SWITCH
 - ⊞ SPLICE
 - ⊞ MOTOR PROTECTOR
 - ⊞ CHASSIS (CABINET) GROUND

TEMPERATURE SWITCH CIRCUIT

	F-H	FF-H	FF-C
WASH/RINSE	0	0	X
COLD/COLD	0	0	X
WARM/COLD	X	0	X
HOT/COLD	X	0	0
WARM/WARM (OPT)	0	X	X

0=OPEN X=CLOSED



SPEED SWITCH CIRCUIT

	2-5	2-7	4-7	4-5
N/N	X	0	0	X
N/S	X	0	X	0
S/N (OPT)	0	X	0	X
S/S	0	X	X	0

N=NORMAL S=SLOW 0=OPEN X=CLOSED

OPTION SWITCH CIRCUIT

	2-5	4-5
POWER SCRUB	X	X
EXTRA RINSE	X	0
NONE	0	0

0=OPEN X=CLOSED

NOTE: SUFFIX INDICATES TIMER SWITCH CONTACTS
 T= TOP
 B= BOTTOM
= OPTIONAL ON SOME MODELS

WIRING DIAGRAM
 P/N 131823100