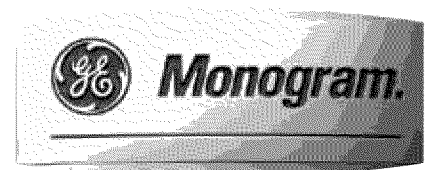


Installation Instructions

42" Island
Vent Hood

ZV1050



Safety Information

BEFORE YOU BEGIN

Read these instructions completely and carefully.

- **IMPORTANT** – Save these instructions for local inspector's use.
- **IMPORTANT** – Observe all governing codes and ordinances.
- **Note to Installer** – Be sure to leave these instructions with the Consumer.
- **Note to Consumer** – Keep these instructions for future reference.
- **Skill Level** – Installation of this vent hood requires basic mechanical and electrical skills.
- **Completion time** – 1 to 3 hours.
- Proper installation is the responsibility of the installer.
- Product failure due to improper installation is not covered under the Warranty.

⚠ CAUTION:

Due to the weight and size of this vent hood and to reduce the risk of personal injury or damage to the product, **we recommend at least three people install this hood.**

⚠ PRUDENCE :

À cause du poids et de la taille de la hotte et pour réduire les risques de blessures ou de dommages de l'équipement, **nous recommandons que trois personnes installent cette hotte.**

⚠ WARNING:

To reduce the risk of fire or electrical shock, do not use this range hood with any external solid-state speed control device. Any such alteration from original factory wiring could result in damage to the unit and/or create an electrical safety hazard.

⚠ AVERTISSEMENT :

Pour réduire le risque d'incendie ou de choc électrique, il ne faut pas utiliser cette hotte avec un régulateur de vitesse électronique externe. Toute modification de ce type du branchement d'usine peut endommager l'appareil ou créer un risque de choc électrique.

TO REDUCE THE RISK OF FIRE, USE ONLY METAL DUCTWORK.

⚠ WARNING:

TO REDUCE THE RISK OF FIRE, ELECTRICAL SHOCK OR INJURY TO PERSONS, OBSERVE THE FOLLOWING:

- A. Use this unit only in the manner intended by the manufacturer. If you have any questions, contact the manufacturer.
- B. Before servicing or cleaning unit, switch power off at the service panel and lock service panel to prevent power from being switched on accidentally. If the service panel cannot be locked, fasten a tag or prominent warning label to the panel.

⚠ AVERTISSEMENT :

POUR RÉDUIRE LE RISQUE D'INCENDIE, DE CHOC ÉLECTRIQUE OU DE BLESSURES, IL FAUT OBSERVER LES RÈGLES SUIVANTES :

- A. Utiliser cet appareil uniquement de la manière prévue par le fabricant. En cas de question, consulter le fabricant.
 - B. Avant toute intervention ou nettoyage, couper l'alimentation électrique au disjoncteur et verrouiller le panneau du disjoncteur pour éviter la mise sous tension accidentelle. S'il n'est pas possible de verrouiller le panneau du disjoncteur, attacher un placard ou une étiquette très visible au panneau.
- For general ventilating use only. Do not use to exhaust hazardous or explosive materials or vapors.
 - Structural framing, installation work and electrical wiring must be done by qualified person(s) in accordance with all applicable codes and standards including fire-rated construction.
 - Sufficient air is needed for proper combustion and exhausting of gases through the flue (chimney) of fuel burning equipment to prevent back drafting. Follow the heating equipment manufacturer's guideline and safety standards such as those published by the National Fire Protection Association (NFPA), the American Society for Heating, Refrigeration and Air Conditioning Engineers (ASHRAE), and the local code authorities.
 - Local codes vary. Installation electrical connections and grounding must comply with applicable codes. In the absence of local codes, the vent should be installed in accordance with National Electrical Code ANSI/NFPA 70-1990 or latest edition.

⚠ CAUTION: To reduce risk of fire and to properly exhaust air, be sure to duct air outside—do not vent exhaust air into spaces within walls or ceilings or into attics, crawl spaces or garages.

⚠ PRUDENCE : Il faut prendre soin d'installer un conduit vers l'extérieur pour réduire le risque d'incendie et pouvoir évacuer l'air correctement. Il ne faut pas évacuer l'air correctement. Il ne faut pas évacuer l'air dans l'espace entre les parois d'un mur, un plafond ou un grenier, un espace sanitaire ou un garage.

Design Information

CONTENTS

Design Information

Product Dimensions	3
Duct Cover Accessories	3, 4
Determine Installation Height	4

Advance Planning

Tools and Materials Required	5
Power Supply	5
Duct Fittings	6

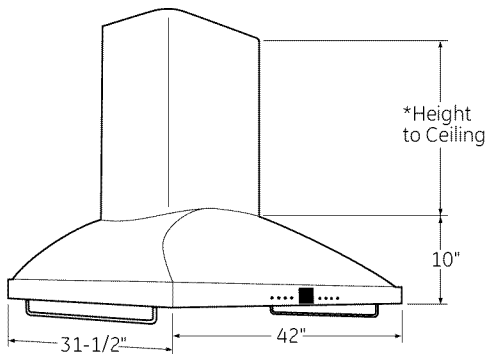
Installation Instructions

Step 1, Construct Ceiling Support	7-9
Step 2, Remove Packaging	10

Step 3, Check Installation Hardware	10
Step 4, Mount Template	11
Step 5, Install Support Frame	11
Step 6, Secure Wiring	12
Step 7, Size and Install Ductwork	12
Step 8, Install Decorative Duct Covers	13
Step 9, Install Hood	13
Step 10, Connect Electrical	14
Step 11, Slide Duct Cover Down	14
Step 12, Install Filters, Finalize Installation	15

PRODUCT DIMENSIONS

This vent hood is designed to be used in vented ceiling-mounted installations. It can be installed over any Monogram cooktop or range, including Professional models.



*20" to an 8-ft. ceiling using supplied duct cover

32" for 9-ft. ceiling using ZX1059SFSS Accessory

44" for 10-ft. ceiling using ZX10510SFSS Accessory

This vent hood is supplied with a decorative duct cover to reach 8-ft. ceiling height, or between 7'11" and 8'1".

DUCT COVER ACCESSORIES

A Duct Cover Accessory may be required for your hood installation height. Order accessory duct covers for 9-ft. and 10-ft. ceilings.

ZX1059SFSS – For 9-ft. ceiling height

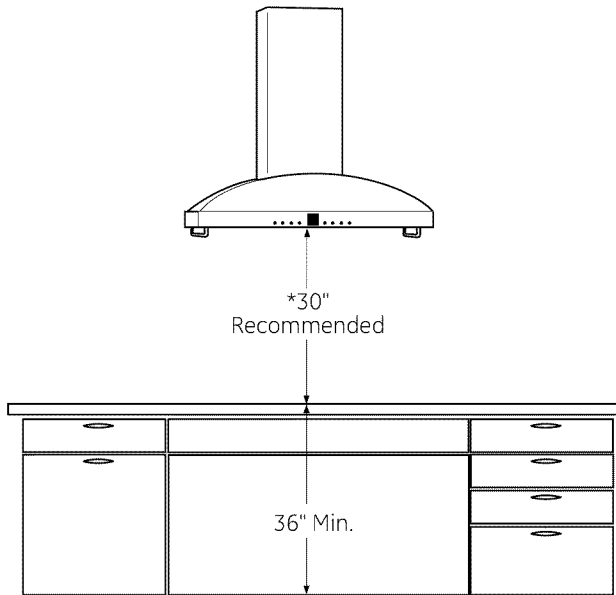
This kit includes a decorative duct cover and support frame to reach a 9-ft. ceiling height.

ZX10510SFSS – For 10-ft. ceiling height

This kit includes a decorative duct cover and support frame to reach a 10-ft. ceiling height.

Design Information

DETERMINE INSTALLATION HEIGHT



*9-ft. to 10-ft. ceilings may be 25-1/2" to 30" clearance.

The distance between the cooking surface and the bottom of the hood must be at least 25-1/2". The 30" recommended installation height, above the standard 36" countertop, will ensure duct cover fit to the ceiling. For 9-ft. and 10-ft. ceiling heights, the hood may be lowered to 25-1/2" over the cooking surface.

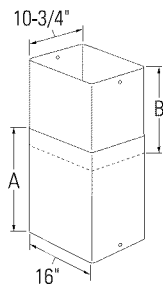
- When installing the Island Hood above a Monogram Professional Range or Rangetop, installation clearance must be at least 30".

IMPORTANT: Clearances may vary due to type of cooking product and local codes. Check with local inspectors to be sure standard is applicable.

DUCT COVER DIMENSIONS

ZV1050 Duct Cover Dimensions

	A	B
ZV1050	11-1/2"	12"
ZX1059	19"	20"
ZX10510	25"	26"



DUCT COVER ACCESSORIES

Order the accessory at the same time as the vent hood and have on-site before installation begins.

Use this chart to accurately determine the need for a Duct Cover Accessory.

Installation Heights

Actual Ceiling Height	*Possible Hood Installation Height	Duct Cover
7'11"	29"	Supplied
8'0"	30"	Supplied
8'1"	30"	Supplied
8'2"	25-1/2" to 30"	ZX1059SFSS
8'3"	25-1/2" to 30"	ZX1059SFSS
8'4"	25-1/2" to 30"	ZX1059SFSS
8'5"	25-1/2" to 30"	ZX1059SFSS
8'6"	25-1/2" to 30"	ZX1059SFSS
8'7"	25-1/2" to 30"	ZX1059SFSS
8'8"	25-1/2" to 30"	ZX1059SFSS
8'9"	25-1/2" to 30"	ZX1059SFSS
8'10"	25-1/2" to 30"	ZX1059SFSS
8'11"	25-1/2" to 30"	ZX1059SFSS
9'0"	25-1/2" to 30"	ZX1059SFSS
9'1"	25-1/2" to 30"	ZX10510SFSS
9'2"	25-1/2" to 30"	ZX10510SFSS
9'3"	25-1/2" to 30"	ZX10510SFSS
9'4"	25-1/2" to 30"	ZX10510SFSS
9'5"	25-1/2" to 30"	ZX10510SFSS
9'6"	25-1/2" to 30"	ZX10510SFSS
9'7"	25-1/2" to 30"	ZX10510SFSS
9'8"	25-1/2" to 30"	ZX10510SFSS
9'9"	25-1/2" to 30"	ZX10510SFSS
9'10"	25-1/2" to 30"	ZX10510SFSS
9'11"	25-1/2" to 30"	ZX10510SFSS
10'0"	25-1/2" to 30"	ZX10510SFSS

Advance Planning

TOOLS AND MATERIALS REQUIRED

(not supplied)

- Tape measure
- Knife
- Spirit level
- Wire cutter
- Wire stripper
- Wire nuts
- Electric drill and 5/32" bit
- Phillips screwdriver
- Flat-blade screwdriver
- Hammer
- Pliers
- Safety glasses
- Tape to mount template
- Gloves to protect against sharp edges
- 120V, 60Hz., 15- or 20-Amp, 2 wire with ground, properly grounded branch circuit
- Strain relief for junction cover
- Plumb bob
- Center punch

POWER SUPPLY

IMPORTANT – Please read carefully.

⚠️ WARNING: FOR PERSONAL SAFETY, THIS APPLIANCE MUST BE PROPERLY GROUNDED.

⚠️ AVERTISSEMENT :
POUR DES RAISONS DE SÉCURITÉ, CET APPAREIL DOIT ÊTRE CORRECTEMENT MIS À LA TERRE.

Remove house fuse or open circuit breaker before beginning installation.

Do not use an extension cord or adapter plug with this appliance. Follow National Electrical Code or prevailing local codes and ordinances.

Electrical supply

This vent hood must be supplied with 120V, 60Hz, connected to an individual, properly grounded branch circuit, and protected by a 15- or 20-amp circuit breaker or time-delay fuse.

- Wiring must be 2-wire with ground.
- If the electrical supply does not meet the above requirements, call a licensed electrician before proceeding.
- Route house wiring in the ceiling, as close to the installation location as possible. Allow an additional 3-foot length from ceiling joists to reach the junction box on the hood.
- Connect the wiring to the house wiring in accordance with local codes.

Grounding instructions

The grounding conductor must be connected to a ground metal, permanent wiring system, or an equipment-grounding terminal or lead on the hood.

⚠️ WARNING: The improper connection of equipment-grounding conductor can result in a risk of electric shock. Check with a qualified electrician or service representative if you are in doubt whether the appliance is properly grounded.

⚠️ AVERTISSEMENT :

Le mauvais branchement du fil de mise à la terre peut causer un choc électrique. En cas de doute, consulter un électricien qualifié ou un technicien pour déterminer si l'appareil est à la terre.

Advance Planning

DUCT FITTINGS

This Hood Must Use 8" Round Duct. It Can Transition to 3-1/4" x 12" Duct.

Use this chart to compute maximum permissible lengths for duct runs to outdoors.

NOTE: Do not exceed maximum permissible equivalent lengths!

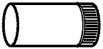
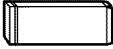


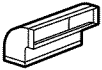
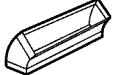



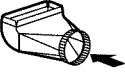

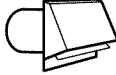
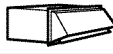

Maximum duct length: 100 ft. for range hoods.

Flexible ducting:

If flexible metal ducting is used, all the equivalent feet values in the table should be doubled. The flexible metal duct should be straight and smooth and extended as much as possible.

Do **NOT** use flexible plastic ducting.

NOTE: Any home ventilation system, such as a ventilation hood, may interrupt the proper flow of combustion air and exhaust required by fireplaces, gas furnaces, gas water heaters and other naturally vented systems. To minimize the chance of interruption of such naturally vented systems, follow the heating equipment manufacturer's guidelines and safety standards such as those published by NFPA and ASHRAE.

Duct Piece	Dimensions	Equivalent Length*	Quantity Used	Total Equivalent Length
	Round, straight	1 ft. (per foot length)		
	3-1/4" x 12" straight	1 ft. (per foot length)		
	90° elbow	17 ft.		
	45° elbow	10 ft.		
	3-1/4" x 12" 90° elbow	43 ft.		
	3-1/4" x 12" 45° elbow	26 ft.		
	3-1/4" x 12" 90° flat elbow	102 ft.		
	8" round to 3-1/4" x 12" transition	2 ft.		
	3-1/4" x 12" to 8" round transition	5 ft.		
	8" round to 3-1/4" x 12" transition 90° elbow	6 ft.		
	3-1/4" x 12" to 8" round transition 90° elbow	13 ft.		
	Round wall cap with damper	32 ft.		
	3-1/4" x 12" wall cap with damper	75 ft.		
	Round roof cap	44 ft.		

*Actual length of straight duct plus duct fitting equivalent. Equivalent length of duct pieces are based on actual tests conducted by GE Evaluation Engineering and reflect requirements for good venting performance with any ventilation hood.

Total Duct Run _____

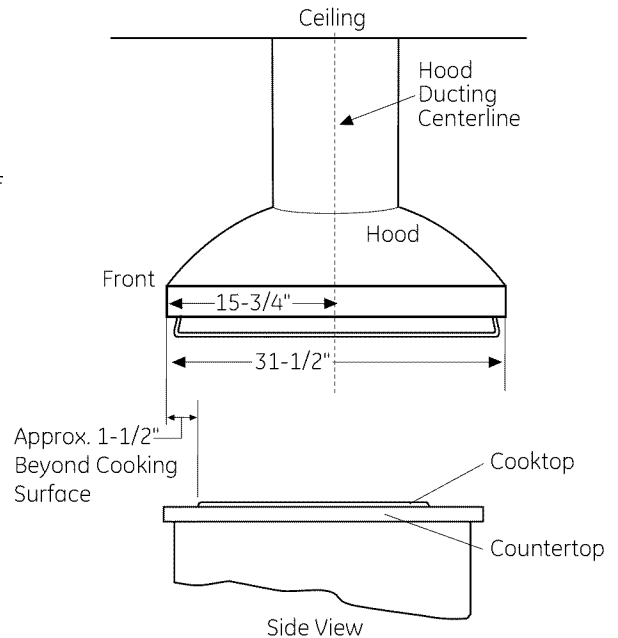
Installation Instructions

STEP 1 CONSTRUCT CEILING SUPPORT

Plan the location

Determine the exact location of the vent hood.

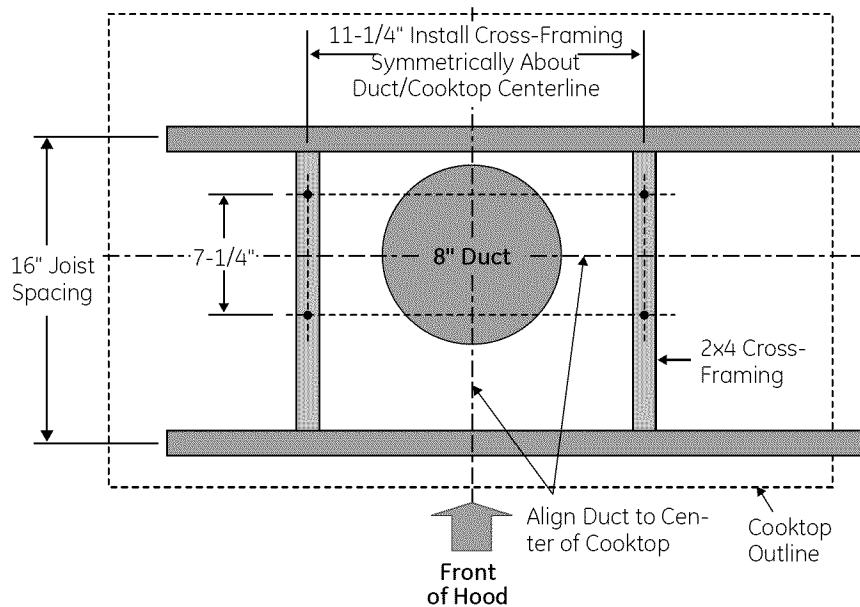
- Use a plumb bob to check location to be sure countertop/cooktop location below the hood will align exactly.
- The hood should project forward 1-1/2" beyond the front edge of the cooking appliance. See illustration.
- Observe the recommended space (30") between the cooking surface and bottom of hood.



Ceiling support structure

- At the hood location, install 2 x 4 cross-framing between ceiling joists as shown. (2x4s are required to support the weight of the hood.)
- Arrange cross-framing in the ceiling to suit the existing structure.
- Your ceiling joists will be like one of the following examples.

EXAMPLE A

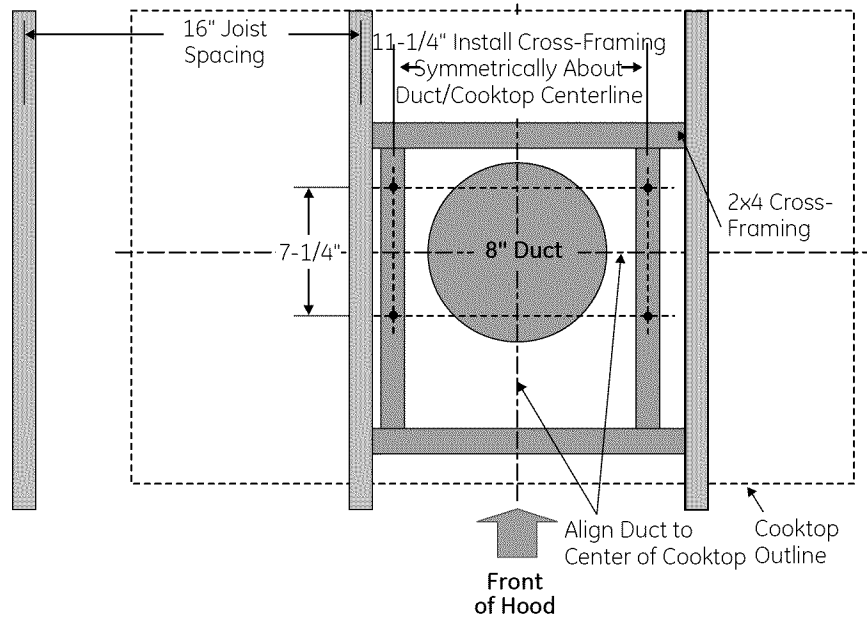


Top View—Ceiling Joists Parallel to Front of Hood

Installation Instructions

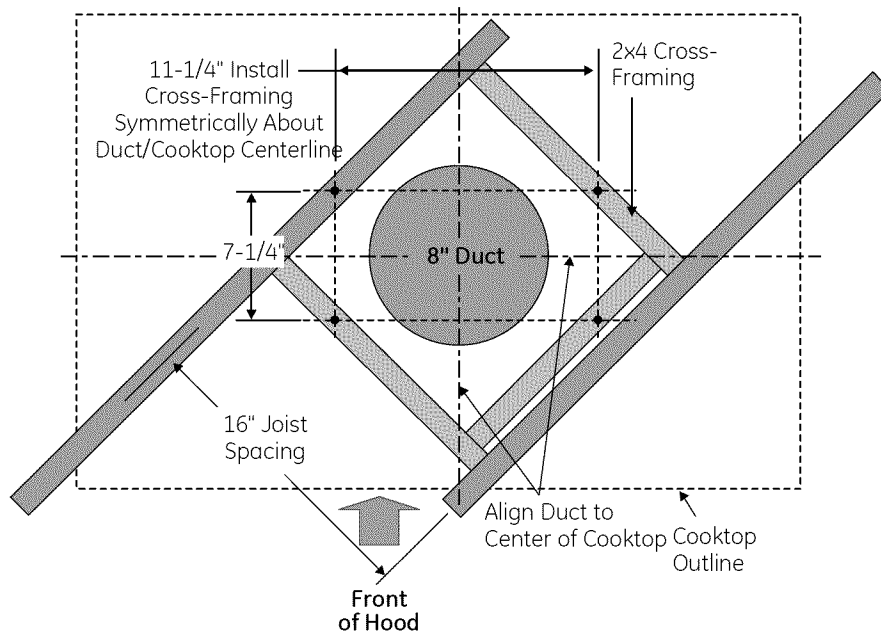
STEP 1 CONSTRUCT CEILING SUPPORT (cont.)

EXAMPLE B



Top View—Ceiling Joists Run Perpendicular to Front of Hood

EXAMPLE C



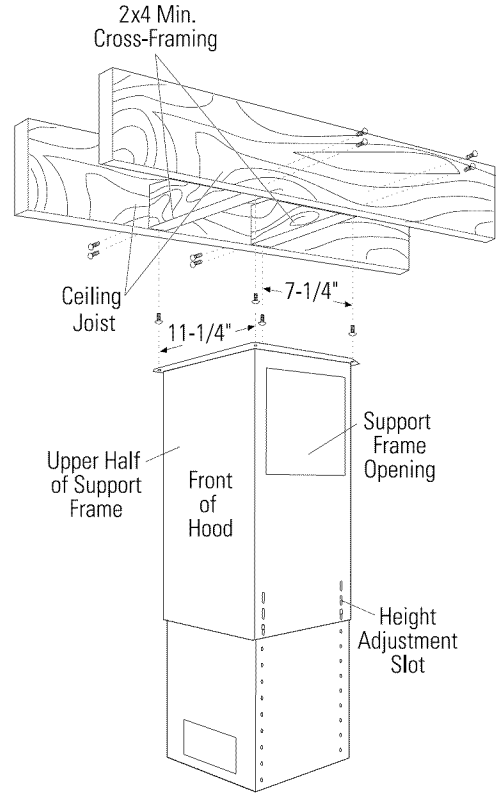
Top View—Ceiling Joists at Angle with Front of Hood

Installation Instructions

STEP 1 CONTINUED

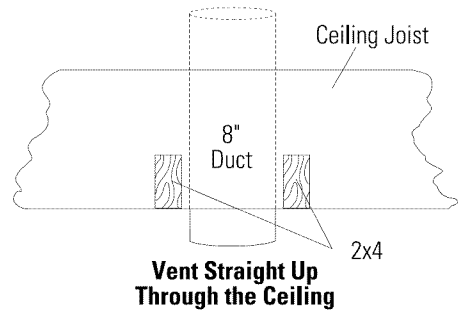
- Arrange cross-framing in the ceiling to suit the existing structure. See examples.
 - Secure each 2 x 4 block with at least four (4) #10 wood screws, 3" long (not supplied). Use 8 wood screws total for the two supports.
- **The cross-framing must be accurately aligned to ensure correct positioning of the hood.**
- **The cross-framing must be level in all directions.** Check with a spirit level and adjust if necessary.

IMPORTANT: The ceiling structure must be capable of supporting the weight of the hood (approximately 300 pounds) and any inadvertent user contact loads. The hood support frame will be supported by the 2 x 4 min. cross-framing.



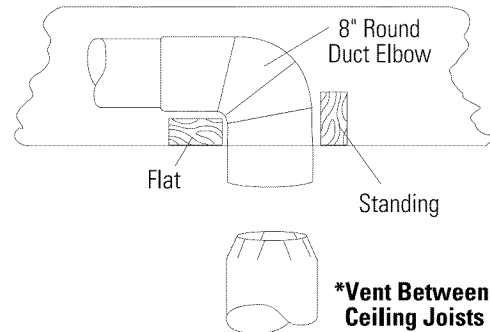
Ductwork

- Use the shortest and straightest duct route possible. For satisfactory performance, duct run should not exceed 100-foot equivalent length for any duct configuration.
- Refer to "Duct Fittings" chart to compute the maximum permissible length for duct runs to the outdoors.
- This vent hood must use 8" round duct. The 8" round duct can transition to 3-1/4" x 12".
- Install the house ductwork to run horizontally between ceiling joists or straight up through the roof.



Finish the Ceiling

- Finish the ceiling surface. Be sure to mark location of the ceiling joists and cross-framing. Check to be sure the ceiling is level; use shims, if necessary.



*Depending on available space.

Installation Instructions

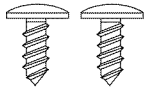
STEP 2 REMOVE THE PACKAGING

The vent hood is packed separately from the decorative duct cover or accessory covers ZX1059SFSS or ZX10510SFSS.

- Remove the frame, cover, parts box and packaging.
- Remove junction box cover.
- Install strain relief onto junction box cover.

STEP 3 CHECK INSTALLATION HARDWARE AND ACCESSORIES

Locate the hardware accessory pack shipped with the hood and check contents.



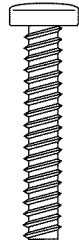
2 Phillips-Head
Decorative Screws



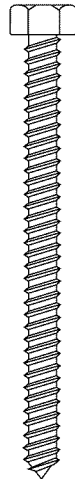
4 Lock Washers



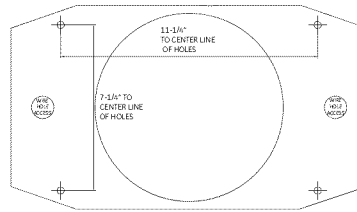
Installation/Service
Stop Screw



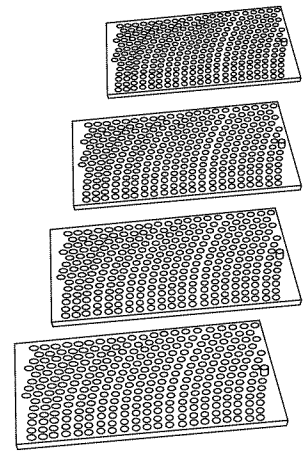
4 Machine Screws



4 Hex-Head
Lag Screws

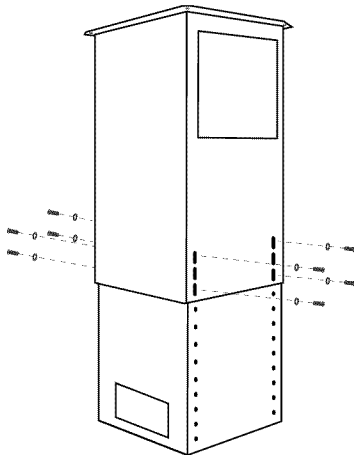


Template

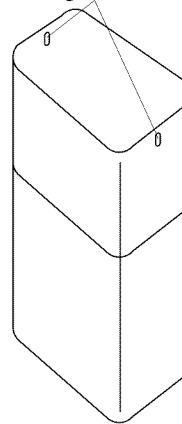


4 Filters

Support Frames
with 8 Screws
and 8 Washers



Mounting Screw Holes

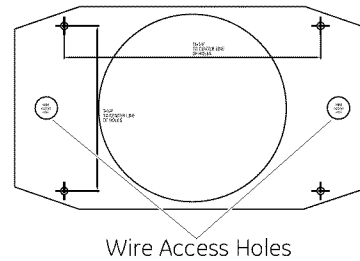


Decorative Duct Covers

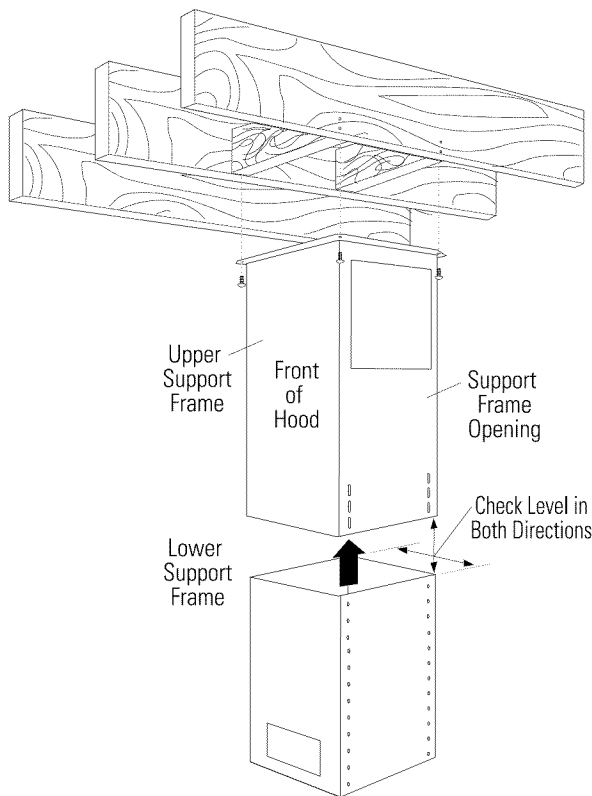
Installation Instructions

STEP 4 MOUNT TEMPLATE

- Align the template with the marks on the ceiling and tape in place.
 - Be sure the template is oriented correctly, with the front of the hood.
- Use a plumb bob to be sure the mounting holes will provide parallel alignment with the countertop below.
- Center-punch all hole locations.
- Drill pilot holes in the 4 screw locations. Use a 5/32" bit and drill approximately 1-1/2" deep.
- Cut the 8-1/4" duct opening and approximately 1" wire access hole.



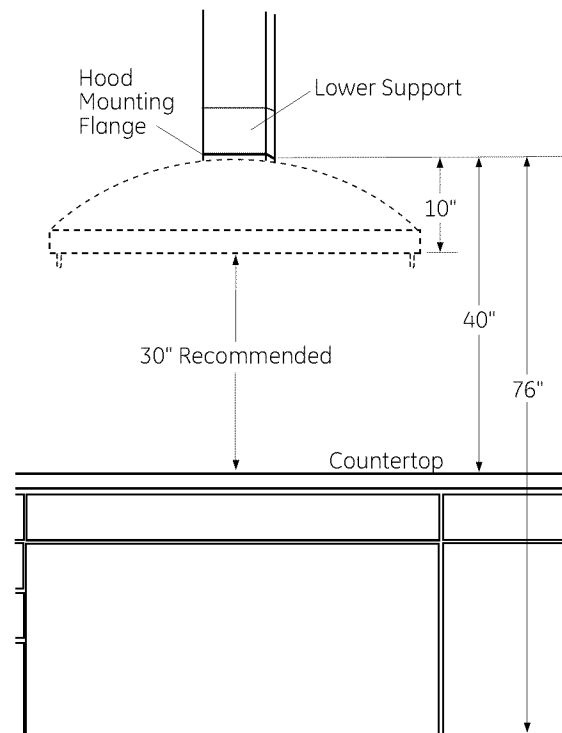
STEP 5 INSTALL SUPPORT FRAME



Install upper support frame

- Secure the upper support frame to the ceiling joists and cross-framing with the 4 lag screws provided. For maximum rigidity and strength, the screws must be driven into the center of the joists and/or cross-framing.

Check to be sure the support frame is level, vertically and horizontally.



Install lower support frame

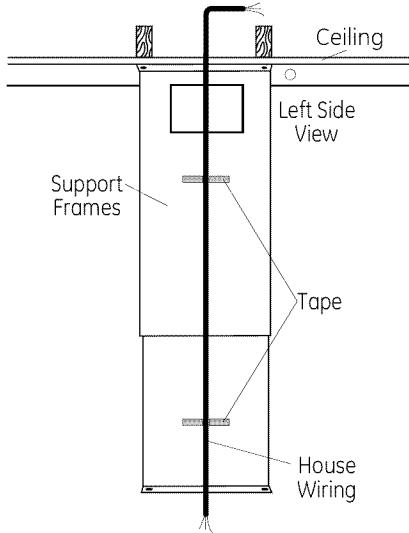
- Insert lower support frame (or accessory support frame, ZX1059SFSS or ZX10510SFSS) into the upper support frame and loosely secure with 8 screws and washers (4 on the front and 4 on the back sides).
- Adjust the lower support frame up or down to the desired height above the countertop. Tighten screws.

IMPORTANT: Again, check to be sure the support is level in both directions. There is no way to level the hood after the hood is secured to the frame.

Installation Instructions

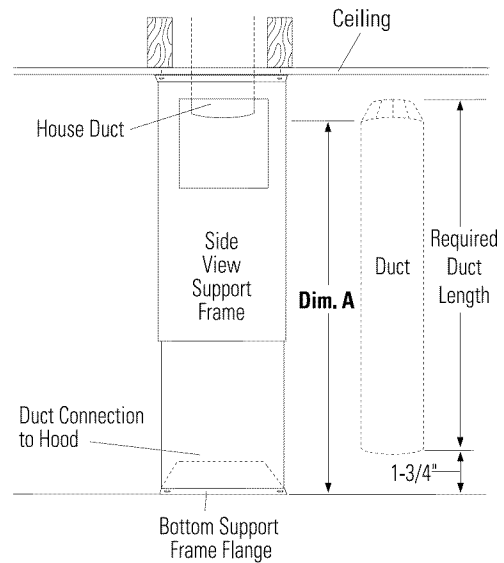
STEP 6 SECURE WIRING

- Route house wiring through the ceiling hole and pull a length to reach the hood junction box, approximately 6" below the support.



- Tape the wire to the left side of the frame support to prevent damage during installation and service.

STEP 7 SIZE AND INSTALL DUCTWORK



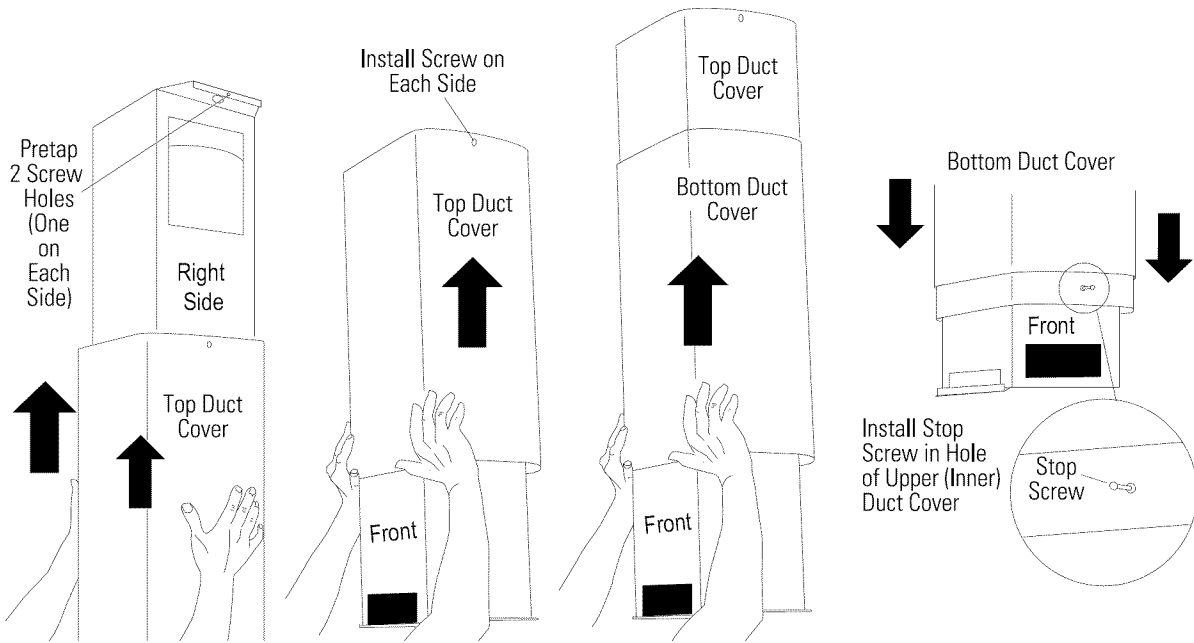
- Measure from house duct flange to bottom of support frame (**Dim. A**).
 - Add at least 1" for duct overlap at the top.
 - Subtract 1-3/4" for hood insertion into the bottom of the frame to determine required duct length.
- Cut the 8" duct length required.

NOTE: The bottom of the duct must be external (female) connection to the top of the hood. The bottom end should be flared slightly, to facilitate installation of the hood.

- Install duct up through support frames and attach to house ducting with sheet metal screws.
- Seal the connection with duct tape.

Installation Instructions

STEP 8 INSTALL DECORATIVE DUCT COVERS



- Pretap or drive decorative screw into the screw holes on the support frame. This will make screw installation easier.
- Separate the two decorative duct covers.
- Select the inside cover (top), which has two screw holes in the top.
- Slide the decorative duct cover over the support frame and push to the ceiling.
- Attach to the hood support at the top with 2 supplied decorative screws.
- Locate the third decorative screw in the hardware package. Set aside.

- Slide the lower decorative duct over the installed upper duct and push to the top.
- Install the decorative stop screw in the center hole of the upper (inner) duct cover. The decorative screw will act as a stop screw and prevent the lower decorative duct cover from sliding down.

CAUTION: The stop screw must be installed. Failure to do so could result in personal injury or damage to the duct cover.

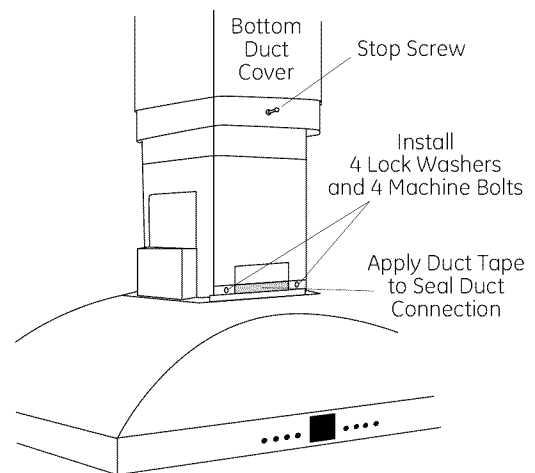
PRUDENCE : La vis supérieure doit être en place, afin d'éviter les blessures ou d'endommager le capot antipoussière.

STEP 9 INSTALL HOOD

NOTE: AT LEAST THREE PEOPLE ARE REQUIRED TO COMPLETE THIS INSTALLATION!

- Lift the hood up to the support frame. Carefully align the hood mounting holes to the support frame holes and, at the same time, the hood duct connector into the duct.
- Install screws through the hood and hood support.
- Check hood level in both directions.
- Check to be sure that the duct is positioned over the hood connector.
- Seal the duct connection with duct tape.

NOTE: Do not drive screws through this duct connection. Doing so will prevent proper damper operation.



Installation Instructions

STEP 10 CONNECT ELECTRICAL

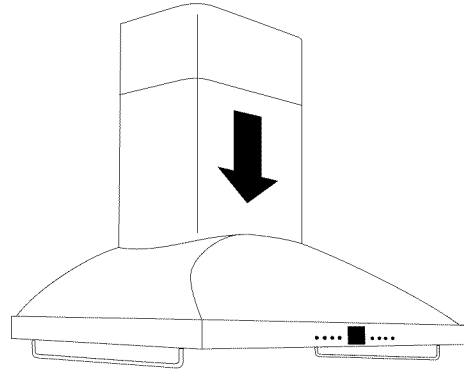
Verify that power is turned off at the source.

⚠ WARNING: If house wiring is not 2-wire with a ground wire, a ground must be provided by the installer. When house wiring is aluminum, be sure to use UL-approved antioxidant compound and aluminum-to-copper connectors.

⚠ AVERTISSEMENT : Si le câblage de la maison n'est pas du type à deux fils avec un fil de terre, l'installateur doit fournir un circuit de terre. Quand les fils de la maison sont en aluminium, il prendra soin d'utiliser de la pâte antioxydation approuvée par UL et des connecteurs pour l'aluminium-cuivre.

- Install strain relief onto the knockout of the junction box cover.
- Insert house wiring through strain relief and tighten.
- Connect white leads to branch circuit white lead.
- Connect black leads to branch circuit black lead.
- Connect green/yellow leads to branch circuit green or bare ground lead.
- Secure all connections with wire nuts on each electrical connector.
- Push wires into junction box and replace cover. Be sure wires are not pinched.

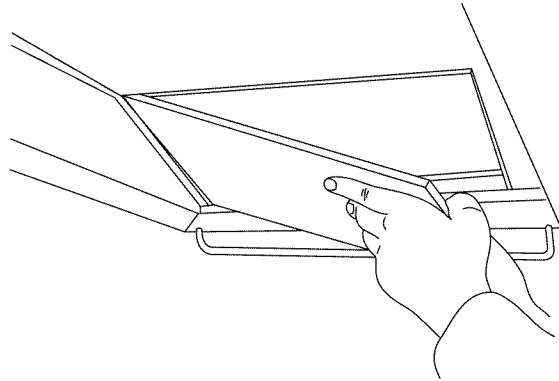
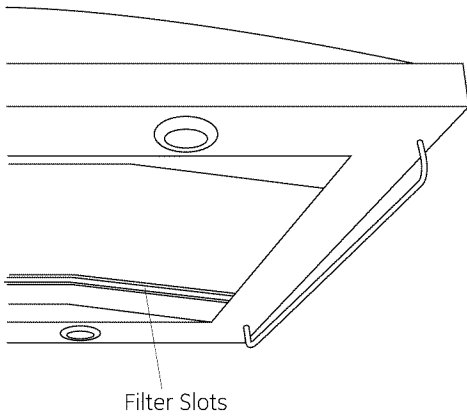
STEP 11 SLIDE DUCT COVER DOWN



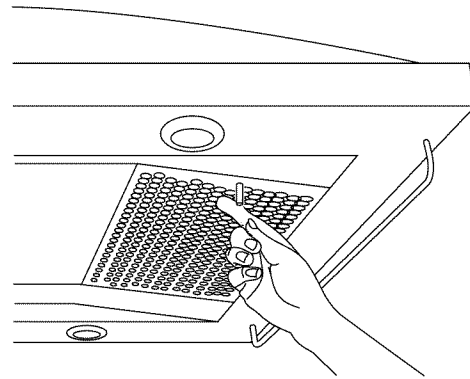
- Hold the decorative duct cover and remove the decorative stop screw from the support frame. Dress all wire harnesses out of the path of the duct cover seating.
- Slide the lower duct cover down onto the hood.

Installation Instructions

STEP 12 | INSTALL FILTERS, FINALIZE INSTALLATION



- Tip the filter into the **lower slots** at the rear of the opening. Lift the filter and pull the knob forward until the filter rests on the slots.
- Make sure you have engaged the "Clean Filter Reminder Switch" with the right side grease filter by checking to see if the red light is glowing in the display. If the red light is glowing, please adjust the filter until the red indicator light turns off.
- Clean the hood with an approved stainless steel cleaner.
- Check hood operation. If the hood does not operate, check that house wires have been connected securely and that no wires have been damaged during installation. Check the breaker or house fuse is turned on.



Note: While performing installations described in this book, safety glasses or goggles should be worn.

For Monogram® local service in your area, call 1.800.444.1845.

Note: Product improvement is a continuing endeavor at General Electric. Therefore, materials, appearance and specifications are subject to change without notice.

Pub. No. 31-14899

11-10 GE

Printed in Italy



GE Consumer & Industrial
Appliances
General Electric Company
Louisville, KY 40225
GEAppliances.com