



Oasis

Gas Dryer

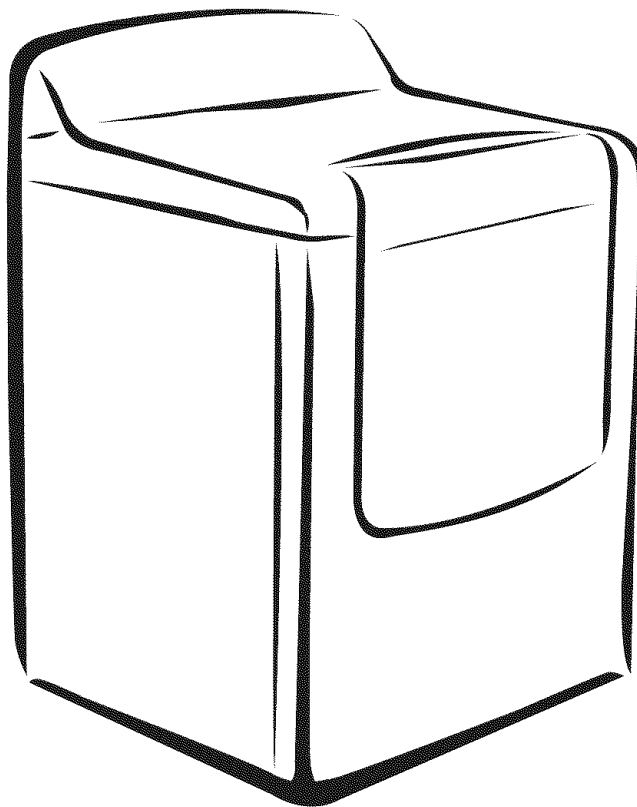
Use & Care Guide

Secadora a gas

Manual de uso y cuidado

Models/Modelos **110.7703***, **7704***

* = color number/número de color



ENGLISH ESPAÑOL

TABLE OF CONTENTS

WARRANTY	2	Drying and Cycle Tips	15
DRYER SAFETY	3	Status Lights	16
INSTALLATION INSTRUCTIONS	4	Cycles	16
Tools and Parts	4	Modifiers	17
Location Requirements	5	Options	18
Electrical Requirements.....	6	Cycle Signal	18
Gas Supply Requirements	6	Changing Cycles, Modifiers and Options	18
Venting Requirements	7	Dryer Rack	19
Plan Vent System	8	DRYER CARE	20
Install Vent System	10	Cleaning the Dryer Location.....	20
Install Leveling Legs	10	Cleaning the Lint Screen	20
Make Gas Connection.....	10	Cleaning the Dryer Interior.....	20
Connect Vent.....	11	Removing Accumulated Lint	20
Level Dryer.....	11	Vacation and Moving Care	21
Reverse Door Swing.....	11	Changing the Drum Light	21
Complete Installation.....	13	TROUBLESHOOTING	21
DRYER USE	14	PROTECTION AGREEMENTS	23
Starting Your Dryer.....	14	SERVICE NUMBERS	BACK COVER
Stopping, Pausing or Restarting	15		

KENMORE ELITE® APPLIANCE WARRANTY

ONE YEAR LIMITED WARRANTY

When installed, operated and maintained according to all instructions supplied with the product, if this appliance fails due to a defect in material or workmanship within one year from the date of purchase, call 1-800-4-MY-HOME® to arrange for free repair.

If this appliance is used for other than private family purposes, this warranty applies for only 90 days from the date of purchase.

THIS WARRANTY COVERS ONLY DEFECTS IN MATERIAL AND WORKMANSHIP. SEARS WILL NOT PAY FOR:

1. Expendable items that can wear out from normal use, including but not limited to filters, belts, light bulbs, and bags.
2. A service technician to instruct the user in correct product installation, operation or maintenance.
3. A service technician to clean or maintain this product.
4. Damage to or failure of this product if it is not installed, operated or maintained according to all instructions supplied with the product.
5. Damage to or failure of this product resulting from accident, abuse, misuse or use for other than its intended purpose.
6. Damage to or failure of this product caused by the use of detergents, cleaners, chemicals or utensils other than those recommended in all instructions supplied with the product.
7. Damage to or failure of parts or systems resulting from unauthorized modifications made to this product.

DISCLAIMER OF IMPLIED WARRANTIES; LIMITATION OF REMEDIES

Customer's sole and exclusive remedy under this limited warranty shall be product repair as provided herein. Implied warranties, including warranties of merchantability or fitness for a particular purpose, are limited to one year or the shortest period allowed by law. Sears shall not be liable for incidental or consequential damages. Some states and provinces do not allow the exclusion or limitation of incidental or consequential damages, or limitations on the duration of implied warranties of merchantability or fitness, so these exclusions or limitations may not apply to you.

This warranty applies only while this appliance is used in the United States and Canada.

This warranty gives you specific legal rights, and you may also have other rights which vary from state to state.

Sears, Roebuck and Co.
Dept. 817WA, Hoffman Estates, IL 60179
Sears Canada Inc.
Toronto, Ontario, Canada M5B 2B8

PRODUCT RECORD

In the space below, record your complete model number, serial number, and purchase date. You can find this information on the model and serial number label located on the product.

Have this information available to help you obtain assistance or service more quickly whenever you contact Sears concerning your appliance.

Model number _____

Serial number _____

Purchase date _____

Save these instructions and your sales receipt for future reference.

DRYER SAFETY

Your safety and the safety of others are very important.

We have provided many important safety messages in this manual and on your appliance. Always read and obey all safety messages.



This is the safety alert symbol.

This symbol alerts you to potential hazards that can kill or hurt you and others.

All safety messages will follow the safety alert symbol and either the word "DANGER" or "WARNING."

These words mean:

⚠ DANGER

You can be killed or seriously injured if you don't immediately follow instructions.

⚠ WARNING

You can be killed or seriously injured if you don't follow instructions.

All safety messages will tell you what the potential hazard is, tell you how to reduce the chance of injury, and tell you what can happen if the instructions are not followed.

WARNING: For your safety, the information in this manual must be followed to minimize the risk of fire or explosion, or to prevent property damage, personal injury, or death.

- Do not store or use gasoline or other flammable vapors and liquids in the vicinity of this or any other appliance.
- **WHAT TO DO IF YOU SMELL GAS:**
 - Do not try to light any appliance.
 - Do not touch any electrical switch; do not use any phone in your building.
 - Clear the room, building, or area of all occupants.
 - Immediately call your gas supplier from a neighbor's phone. Follow the gas supplier's instructions.
 - If you cannot reach your gas supplier, call the fire department.
- Installation and service must be performed by a qualified installer, service agency, or the gas supplier.

In the State of Massachusetts, the following installation instructions apply:

- Installations and repairs must be performed by a qualified or licensed contractor, plumber, or gasfitter qualified or licensed by the State of Massachusetts.
- If using a ball valve, it shall be a T-handle type.
- A flexible gas connector, when used, must not exceed 3 feet.

IMPORTANT SAFETY INSTRUCTIONS

WARNING: To reduce the risk of fire, electric shock, or injury to persons when using the dryer, follow basic precautions, including the following:

- Read all instructions before using the dryer.
- Do not place items exposed to cooking oils in your dryer. Items contaminated with cooking oils may contribute to a chemical reaction that could cause a load to catch fire.
- Do not dry articles that have been previously cleaned in, washed in, soaked in, or spotted with gasoline, dry-cleaning solvents, or other flammable or explosive substances as they give off vapors that could ignite or explode.
- Do not allow children to play on or in the dryer. Close supervision of children is necessary when the dryer is used near children.
- Before the dryer is removed from service or discarded, remove the door to the drying compartment.
- Do not reach into the dryer if the drum is moving.
- Do not install or store the dryer where it will be exposed to the weather.
- Do not tamper with controls.
- Do not repair or replace any part of the dryer or attempt any servicing unless specifically recommended in this Use and Care Guide or in published user-repair instructions that you understand and have the skills to carry out.
- Do not use fabric softeners or products to eliminate static unless recommended by the manufacturer of the fabric softener or product.
- Do not use heat to dry articles containing foam rubber or similarly textured rubber-like materials.
- Clean lint screen before or after each load.
- Keep area around the exhaust opening and adjacent surrounding areas free from the accumulation of lint, dust, and dirt.
- The interior of the dryer and exhaust vent should be cleaned periodically by qualified service personnel.
- See installation instructions for grounding requirements.

SAVE THESE INSTRUCTIONS

IMPORTANT: The gas installation must conform with local codes, or in the absence of local codes, with the National Fuel Gas Code, ANSI Z223.1/NFPA 54.

The dryer must be electrically grounded in accordance with local codes, or in the absence of local codes, with the National Electrical Code, ANSI/NFPA 70.

INSTALLATION INSTRUCTIONS

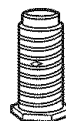
Tools and Parts

Gather the required tools and parts before starting installation. Read and follow the instructions provided with any tools listed here.

- 8" or 10" pipe wrench
- 8" or 10" adjustable wrench (for gas connections)
- Flat-blade screwdriver
- Adjustable wrench that opens to 1" (2.54 cm) or hex-head socket wrench (for adjusting dryer feet)
- Level
- Vent clamps
- Knife
- Pipe-joint compound resistant to LP gas
- Caulking gun and compound (for installing new exhaust vent)
- Pliers
- Tape measure

Parts supplied

Remove parts package from dryer drum. Check that all parts were included.



4 Leveling legs

Parts needed

Check local codes and with gas supplier. Check existing gas supply, electrical supply and venting. Read "Electrical Requirements," "Gas Supply Requirements" and "Venting Requirements" before purchasing parts.

Mobile home installations require special parts (listed following) available for purchase from your local Sears store or Sears Service Center. For further information, please call **1-800-4-MY-HOME® (1-800-469-4663)**.

- Mobile Home Installation Kit. Ask for Part Number 346764.
- Metal exhaust system hardware.

Location Requirements

⚠ WARNING



Explosion Hazard

Keep flammable materials and vapors, such as gasoline, away from dryer.

Place dryer at least 18 inches (46 cm) above the floor for a garage installation.

Failure to do so can result in death, explosion, or fire.

You will need

- A location that allows for proper exhaust installation. A gas dryer must be exhausted to the outdoors. See "Venting Requirements."
- A grounded electrical outlet located within 2 ft (61 cm) of either side of the dryer. See "Electrical Requirements."
- A sturdy floor to support the total weight (dryer and load) of 200 lbs (90.7 kg). The combined weight of a companion appliance should also be considered.
- A level floor with a maximum slope of 1" (2.5 cm) under entire dryer.

Do not operate your dryer at temperatures below 45°F (7°C). At lower temperatures, the dryer might not shut off at the end of an automatic cycle. Drying times can be extended.

The dryer must not be installed or stored in an area where it will be exposed to water and/or weather.

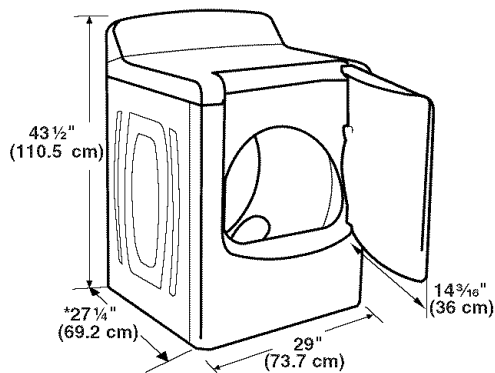
Check code requirements. Some codes limit, or do not permit, installation of the dryer in garages, closets, mobile homes or sleeping quarters. Contact your local building inspector.

NOTE: No other fuel-burning appliance can be installed in the same closet as a dryer.

Installation Clearances

The location must be large enough to allow the dryer door to open fully.

Dryer Dimensions

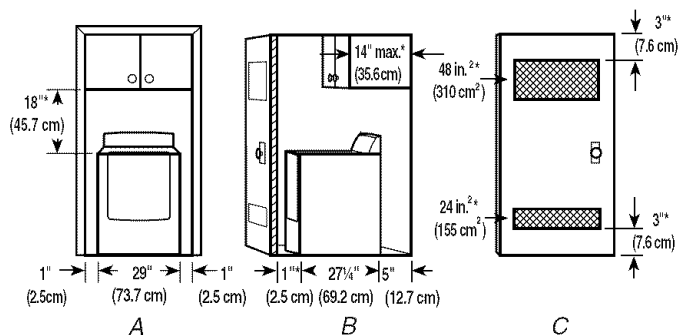


*Most installations require a minimum 5" (12.7 cm) clearance behind the dryer for the exhaust vent with elbow. See "Venting Requirements."

Installation spacing for recessed area or closet installation

The following spacing dimensions are recommended for this dryer. This dryer has been tested for spacing of 0" (0 cm) clearance on the sides and rear. Recommended spacing should be considered for the following reasons:

- Additional spacing should be considered for ease of installation and servicing.
- Additional clearances might be required for wall, door and floor moldings.
- Additional spacing should be considered on all sides of the dryer to reduce noise transfer.
- For closet installation, with a door, minimum ventilation openings in the top and bottom of the door are required. Louvered doors with equivalent ventilation openings are acceptable.
- Companion appliance spacing should also be considered.
- Additional spacing is required if you exhaust out the rear of the dryer to either the right or left side.



A. Recessed area
B. Side view - closet or confined area
C. Closet door with vents

* Required spacing

Mobile Home - Additional Installation Requirements

This dryer is suitable for mobile home installations. The installation must conform to the Manufactured Home Construction and Safety Standard, Title 24 CFR, Part 3280 (formerly the Federal Standard for Mobile Home Construction and Safety, Title 24, HUD Part 280).

Mobile home installations require:

- Metal exhaust system hardware, which is available for purchase from your local Sears store or Sears Service dealer.
- Mobile home Installation Kit Part Number 346764. See "Tools and Parts" section for ordering information.
- Special provisions must be made in mobile homes to introduce outside air into the dryer. The opening (such as a nearby window) should be at least twice as large as the dryer exhaust opening.

Electrical Requirements

⚠ WARNING



Electrical Shock Hazard

Plug into a grounded 3 prong outlet.

Do not remove ground prong.

Do not use an adapter.

Do not use an extension cord.

Failure to follow these instructions can result in death, fire, or electrical shock.

- 120 Volt, 60 Hz., AC only, 15- or 20-amp fused electrical supply is required. A time-delay fuse or circuit breaker is recommended. It is also recommended that a separate circuit serving only this dryer be provided.

GROUNDING INSTRUCTIONS

■ For a grounded, cord-connected dryer:
This dryer must be grounded. In the event of malfunction or breakdown, grounding will reduce the risk of electric shock by providing a path of least resistance for electric current. This dryer is equipped with a cord having an equipment-grounding conductor and a grounding plug. The plug must be plugged into an appropriate outlet that is properly installed and grounded in accordance with all local codes and ordinances.

WARNING: Improper connection of the equipment-grounding conductor can result in a risk of electric shock. Check with a qualified electrician or service representative or personnel if you are in doubt as to whether the dryer is properly grounded. Do not modify the plug provided with the dryer: if it will not fit the outlet, have a proper outlet installed by a qualified electrician.

SAVE THESE INSTRUCTIONS

Gas Supply Requirements

⚠ WARNING



Explosion Hazard

Use a new CSA International approved gas supply line.

Install a shut-off valve.

Securely tighten all gas connections.

If connected to LP, have a qualified person make sure gas pressure does not exceed 13" (33 cm) water column.

Examples of a qualified person include:

licensed heating personnel,
authorized gas company personnel, and
authorized service personnel.

Failure to do so can result in death, explosion, or fire.

Gas Type

Natural Gas:

This dryer is equipped for use with Natural gas. It is design-certified by CSA International for LP (propane or butane) gases with appropriate conversion.

- Your dryer must have the correct burner for the type of gas in your home. Burner information is located on the rating plate in the door well of your dryer. If this information does not agree with the type of gas available, contact your dealer or call the phone numbers referenced on the front page of this manual.

LP gas conversion:

Conversion must be made by a qualified technician.

No attempt shall be made to convert the appliance from the gas specified on the model/serial rating plate for use with a different gas without consulting your gas company.

Gas Supply Line:

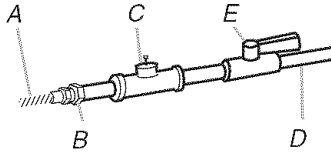
- Must include 1/8" NPT minimum plugged tapping accessible for test gauge connection, immediately upstream of the gas connection to the dryer (see illustration).
- 1/2" IPS pipe is recommended.
- 3/8" approved aluminum or copper tubing is acceptable for lengths under 20 ft (6.1 m) if local codes and gas supplier permit.
- If you are using Natural gas, do not use copper tubing.
- 3/8" flare x 3/8" NPT adapter fitting between dryer pipe and 3/8" approved tubing.
- Lengths over 20 ft (6.1 m) should use larger tubing and a different size adapter fitting.

- If your dryer has been converted to use LP gas, $\frac{3}{8}$ " LP compatible copper tubing can be used. If the total length of the supply line is more than 20 ft (6.1 m), use larger pipe.

NOTE: Pipe-joint compounds that resist the action of LP gas must be used. Do not use TEFLON[†] tape.

- Must include a shutoff valve:

An individual manual shutoff valve must be installed within six (6) feet (1.8 m) of the dryer in accordance with the National Fuel Gas Code, ANSI Z223.1. The location should be easy to reach for opening and closing.



- A. $\frac{3}{8}$ " flexible gas connector
- B. $\frac{3}{8}$ " pipe to flare adapter fitting
- C. $\frac{1}{8}$ " NPT minimum plugged tapping
- D. $\frac{1}{2}$ " NPT gas supply line
- E. Gas shutoff valve

Gas supply connection requirements

- Use an elbow and a $\frac{3}{8}$ " flare x $\frac{3}{8}$ " NPT adapter fitting between the flexible gas connector and the dryer gas pipe, as needed to avoid kinking.
- Use only pipe-joint compound. Do not use TEFLON[†] tape.
- This dryer must be connected to the gas supply line with a listed flexible gas connector that complies with the standard for connectors for gas appliances, ANSI Z21.24.

Burner Input Requirements:

Elevations above 10,000 ft (3,048 m):

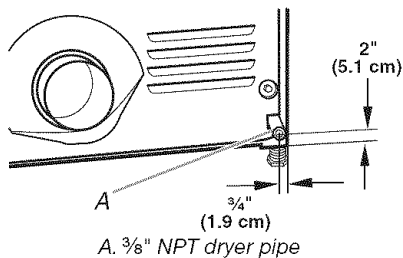
- When installed above 10,000 ft (3,048 m) a 4% reduction of the burner Btu rating shown on the model/serial number plate is required for each 1,000 ft (305 m) increase in elevation.

Gas Supply Pressure Testing

- The dryer must be disconnected from the gas supply piping system during pressure testing at pressures greater than $\frac{1}{2}$ psi.

Dryer Gas Pipe

- The gas pipe that comes out through the rear of your dryer has a $\frac{3}{8}$ " male pipe thread.



A. $\frac{3}{8}$ " NPT dryer pipe

Venting Requirements

! WARNING



Fire Hazard

Use a heavy metal vent.

Do not use a plastic vent.

Do not use a metal foil vent.

Failure to follow these instructions can result in death or fire.

WARNING: To reduce the risk of fire, this dryer MUST BE EXHAUSTED OUTDOORS.

IMPORTANT: Observe all governing codes and ordinances.

The dryer exhaust must not be connected into any gas vent, chimney, wall, ceiling or a concealed space of a building.

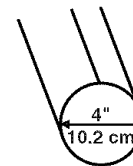
If using an existing vent system

- Clean lint from the entire length of the system and make sure exhaust hood is not plugged with lint.
- Replace any plastic or metal foil vent with rigid or flexible heavy metal vent.
- Review Vent system chart. Modify existing vent system if necessary to achieve the best drying performance.

If this is a new vent system

Vent material

- Use a heavy metal vent. Do not use plastic or metal foil vent.
- 4" (10.2 cm) heavy metal exhaust vent and clamps must be used. DURASAFE™ venting products are recommended.



4" (10.2 cm) heavy metal exhaust vent

DURASAFE™ vent products can be purchased from your dealer. For further information, please call 1-800-4-MY-HOME® (1-800-469-4663) or visit our website at www.sears.com.

Rigid metal vent

- For best drying performance, rigid metal vents are recommended.
- Rigid metal vent is recommended to avoid crushing and kinking.

Flexible metal vent

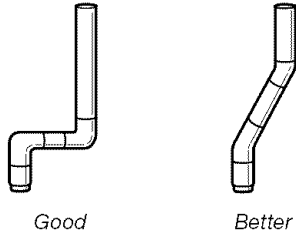
- Flexible metal vents are acceptable only if accessible for cleaning.

[†]TEFLON is a registered trademark of E.I. Du Pont De Nemours and Company.

- Flexible metal vent must be fully extended and supported when the dryer is in its final location.
- Remove excess flexible metal vent to avoid sagging and kinking that may result in reduced airflow and poor performance.
- Do not install flexible metal vent in enclosed walls, ceilings or floors.

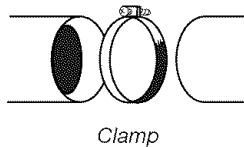
Elbows

45° elbows provide better airflow than 90° elbows.



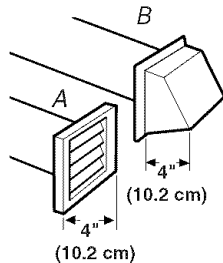
Clamps

- Use clamps to seal all joints.
- Exhaust vent must not be connected or secured with screws or other fastening devices that extend into the interior of the duct. Do not use duct tape.



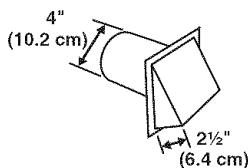
Exhaust

Recommended hood styles are shown here.



A. Louvered hood style
B. Box hood style

The angled hood style (shown here) is acceptable.



- An exhaust hood should cap the vent to keep rodents and insects from entering the home.
- Exhaust hood must be at least 12" (30.5 cm) from the ground or any object that may be in the path of the exhaust (such as flowers, rocks or bushes, snow line, etc.).

- Do not use an exhaust hood with a magnetic latch.

Improper venting can cause moisture and lint to collect indoors, which may result in:

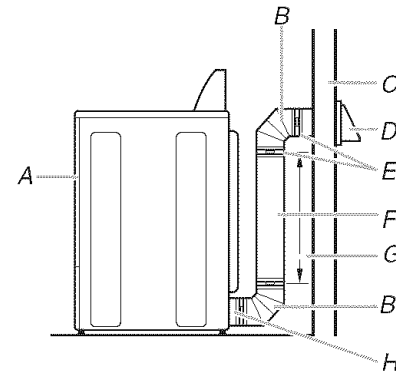
- Moisture damage to woodwork, furniture, paint, wallpaper, carpets, etc.
- Housecleaning problems and health problems.

Plan Vent System

Choose your exhaust installation type

Recommended exhaust installations

Typical installations vent the dryer from the rear of the dryer. Other installations are possible.



A. Dryer
B. Elbow
C. Wall
D. Exhaust hood
E. Clamps
F. Rigid metal or flexible metal vent
G. Vent length necessary to connect elbows
H. Exhaust outlet

Optional exhaust installations

Venting systems come in many varieties. Select the type best for your installation.

WARNING



Fire Hazard

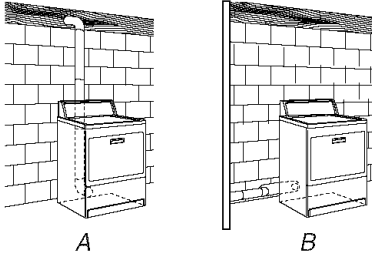
Cover unused exhaust hole with the following kit:

8212503

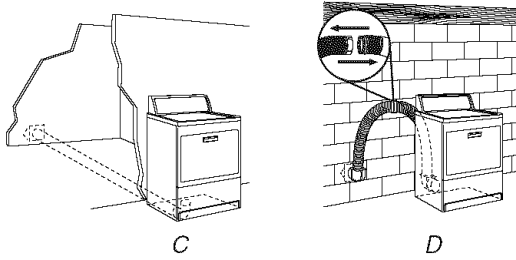
Contact your local dealer.

Failure to follow these instructions can result in death, fire, electrical shock, or serious injury.

This dryer can be converted to exhaust out the bottom. If you prefer, you may contact your local dealer to have the dryer converted. This dryer can also be exhausted from the rear to either the right or left side. Optional kits for these exhaust installations are needed. Refer to the manufacturer's instructions for kit installation instructions.



A. Standard rear offset exhaust installation
 B. Rear exhaust installation to left or right side



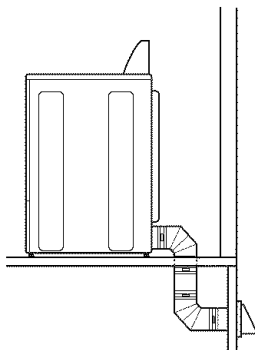
C. Bottom exhaust installation
 D. Over-the-top installation (also available with one offset elbow)

NOTE: The following kits for alternate installations are available for purchase. For further information, please call **1-800-4-MY-HOME® (1-800-469-4663)**.

- Rear exhaust installation to left or right side:
Part Number 8212504
- Bottom exhaust installation:
Part Number 8212503
- Over-the-top installation:
Part Number 26-49900

Special provisions for mobile home installations

The exhaust vent must be securely fastened to a noncombustible portion of the mobile home structure and must not terminate beneath the mobile home. Terminate the exhaust vent outside.



Determine vent path

- Select the route that will provide the straightest and most direct path outdoors.
- Plan the installation to use the fewest number of elbows and turns.
- When using elbows or making turns, allow as much room as possible.
- Bend vent gradually to avoid kinking.
- Use the fewest 90° turns possible.

Determine vent length and elbows needed for best drying performance

- Use the following Vent system chart to determine type of vent material and hood combinations acceptable to use.
- NOTE:** Do not use vent runs longer than those specified in the Vent system chart. Exhaust systems longer than those specified will:
- Shorten the life of the dryer.
 - Reduce performance, resulting in longer drying times and increased energy usage.

The Vent system chart provides venting requirements that will help to achieve the best drying performance.

Vent system chart

NOTE: Bottom exhaust performance is equivalent to adding two elbows. To determine maximum exhaust length, add two elbows to the chart.

NOTE: Performance of rear exhaust to either side of the dryer is equivalent to adding one elbow. To determine maximum exhaust length, add one elbow to the chart.

Number of 90° turns or elbows	Type of vent	Box or Louvered hoods	Angled hoods
0	Rigid metal	64 ft (20 m)	58 ft (17.7 m)
	Flexible metal	36 ft (11 m)	28 ft (8.5 m)
1	Rigid metal	54 ft (16.5 m)	48 ft (14.6 m)
	Flexible metal	31 ft (9.4 m)	23 ft (7 m)
2	Rigid metal	44 ft (13.4 m)	38 ft (11.6 m)
	Flexible metal	27 ft (8.2 m)	19 ft (5.8 m)
3	Rigid metal	35 ft (10.7 m)	29 ft (8.8 m)
	Flexible metal	25 ft (7.6 m)	17 ft (5.2 m)
4	Rigid metal	27 ft (8.2 m)	21 ft (6.4 m)
	Flexible metal	23 ft (7 m)	15 ft (4.6 m)

Install Vent System

1. Install exhaust hood. Use caulking compound to seal exterior wall opening around exhaust hood.
2. Connect vent to exhaust hood. Vent must fit inside exhaust hood. Secure vent to exhaust hood with 4" (10.2 cm) clamp.
3. Run vent to dryer location. Use the straightest path possible. See "Determine vent path" in "Plan Vent System." Avoid 90° turns. Use clamps to seal all joints. Do not use duct tape, screws or other fastening devices that extend into the interior of the vent to secure vent.

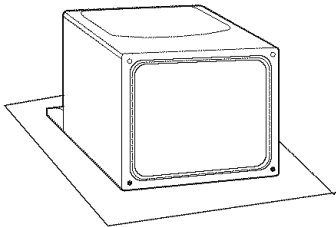
Install Leveling Legs

WARNING

Excessive Weight Hazard

Use two or more people to move and install dryer.
Failure to do so can result in back or other injury.

1. To protect the floor, use a large, flat piece of cardboard from the dryer carton. Place cardboard under the entire back edge of the dryer.
2. Firmly grasp the body of the dryer (not the top or console panel). Gently lay the dryer on the cardboard. See illustration.



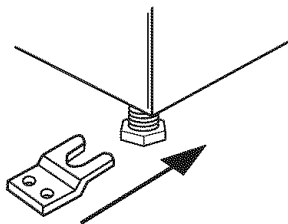
3. Examine the leveling legs. Find the diamond marking.



4. Screw the legs into the leg holes by hand. Use a wrench to finish turning the legs until the diamond marking is no longer visible.
5. Place a carton corner post from dryer packaging under each of the 2 dryer back corners. Stand the dryer up. Slide the dryer on the corner posts until it is close to its final location. Leave enough room to connect the exhaust vent or gas line.

For mobile home use

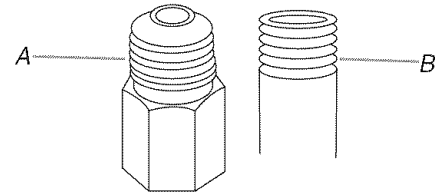
Gas dryers must be securely fastened to the floor at the time of installation.



Mobile home installations require a Mobile Home Installation Kit. For more information, please call 1-800-4-MY-HOME® (1-800-469-4663).

Make Gas Connection

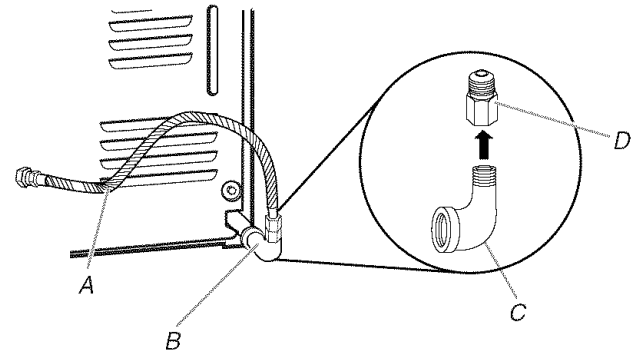
1. Remove the red cap from the gas pipe.
2. Using a wrench to tighten, connect the gas supply to the dryer. Use pipe-joint compound on the threads of all non-flared male fittings. If flexible metal tubing is used, be sure there are no kinks.



A. Flared male thread
B. Non-flared male thread

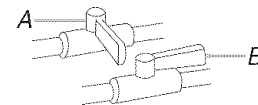
NOTE: For LP gas connections, you must use pipe-joint compound resistant to the action of LP gas. Do not use TEFLON®† tape.

A combination of pipe fittings must be used to connect the dryer to the existing gas line. Shown is a recommended connection. Your connection may be different, according to the supply line type, size and location.



A. $\frac{3}{8}$ " flexible gas connector
B. $\frac{3}{8}$ " dryer pipe
C. $\frac{3}{8}$ " to $\frac{3}{8}$ " pipe elbow
D. $\frac{3}{8}$ " pipe-to-flare adapter fitting

3. Open the shutoff valve in the supply line. The valve is open when the handle is parallel to the gas pipe.



A. Closed valve
B. Open valve

4. Test all connections by brushing on an approved noncorrosive leak-detection solution. Bubbles will show a leak. Correct any leak found.

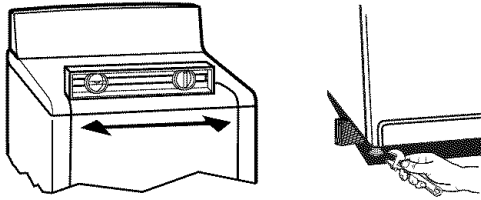
†TEFLON is a registered trademark of E.I. Du Pont De Nemours and Company.

Connect Vent

1. Using a 4" (10.2 cm) clamp, connect vent to exhaust outlet in dryer. If connecting to existing vent, make sure the vent is clean. The dryer vent must fit over the dryer exhaust outlet and inside the exhaust hood. Make sure the vent is secured to exhaust hood with a 4" (10.2 cm) clamp.
2. Move dryer into its final location. Do not crush or kink vent.
3. (On gas models) Make sure that there are no kinks in the flexible gas line.
4. Once the exhaust vent connection is made, remove the corner posts and cardboard.

Level Dryer

Check the levelness of the dryer. Check levelness first side to side, then front to back.

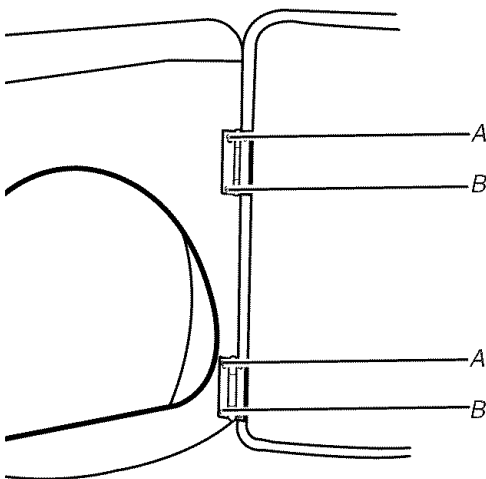


If the dryer is not level, prop up the dryer using a wood block. Use a wrench to adjust the legs up or down and check again for levelness.

Reverse Door Swing

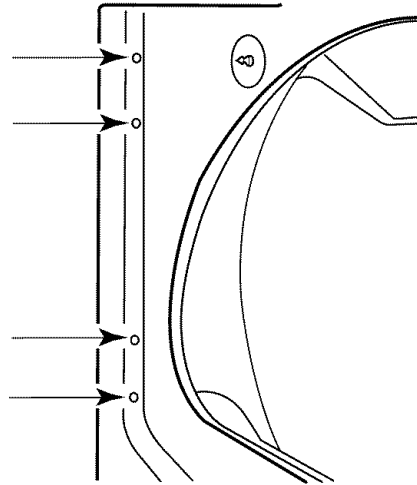
You can change your door swing from a right-side opening to a left-side opening, if desired.

1. Place a towel or soft cloth on top of the dryer or work space to protect the surface.
- Remove the door assembly**
1. Open the dryer door.
 2. Remove the bottom screw from each of the 2 hinges that attach the dryer door to the front panel of the dryer.
 3. Loosen the top screw from each of the 2 hinges in Step 2.



A. Loosen these screws.
B. Remove these screws.

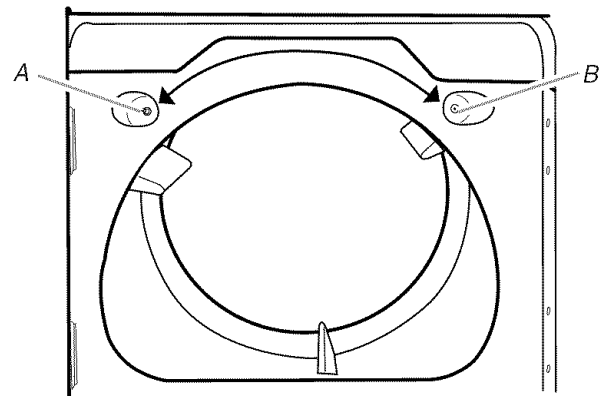
4. Remove the dryer door and the hinges by lifting upward on the door. Lay the door on a flat, protected surface, with the inside of the door facing up. Remove remaining 2 loose screws from dryer front panel.
5. Remove the 4 plastic plugs located outside the dryer door opening.



6. Install 4 plastic plugs into screw holes in the dryer left when the hinges were removed in Step 4.

Reverse the strike

1. Remove the door strike from the dryer door opening.
2. Remove the cosmetic screw opposite the door strike.



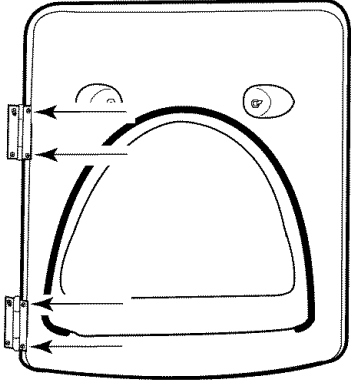
A. Door strike
B. Cosmetic screw

3. Reinstall the door strike and cosmetic screw on the opposite side of the dryer door opening from where they were removed.

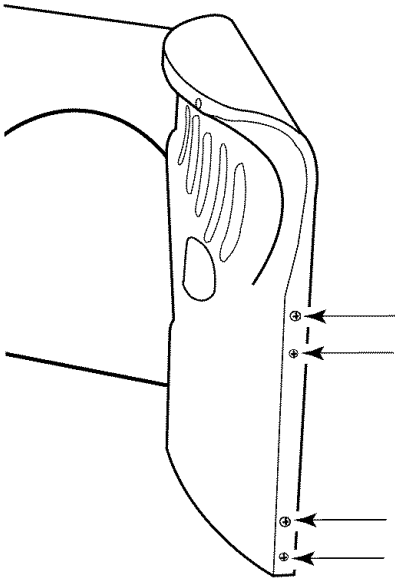
NOTE: Door strike and plugs must be on the same side of the dryer door opening.

Reinstall the door

1. Remove the 4 screws and 2 hinges from the dryer door.
2. Replace the 4 screws in the same holes.

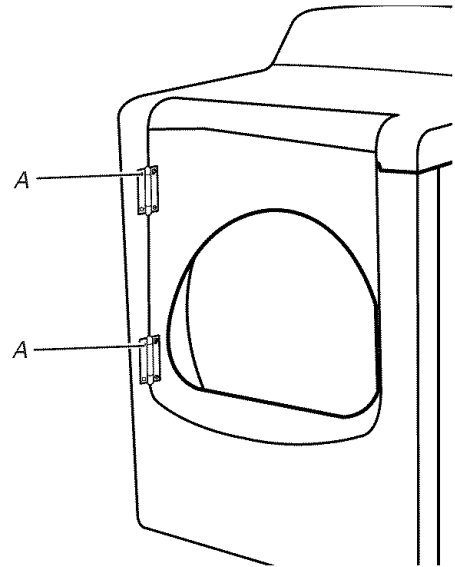


3. Remove the 4 screws from the opposite side of the door.



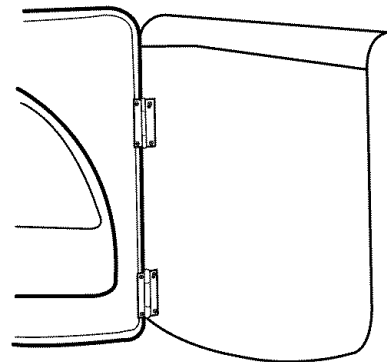
4. Install the 2 hinges to the front panel of the dryer using 4 screws. Use the non-slotted side to attach the hinge to the front panel.

5. Install screws in the top hinge holes in the door. Do not tighten screws. Leave approximately 1/4" (5 mm) of screw exposed.



A. Install these screws first.

6. Hang door by placing screw heads into top slotted holes of hinges and slide door down. Align bottom screw holes in hinge and door. Install two bottom screws. Tighten all hinge screws.




7. Close door to engage door strike.

Complete Installation

1. Check that all parts are now installed. If there is an extra part, go back through the steps to see which step was skipped.
2. Check that you have all of your tools.
3. Dispose of/recycle all packaging materials.
4. Check the dryer's final location. Be sure the vent is not crushed or kinked.
5. Check that the dryer is level. See "Level Dryer."

⚠ WARNING



Electrical Shock Hazard

Plug into a grounded 3 prong outlet.

Do not remove ground prong.

Do not use an adapter.

Do not use an extension cord.

Failure to follow these instructions can result in death, fire, or electrical shock.

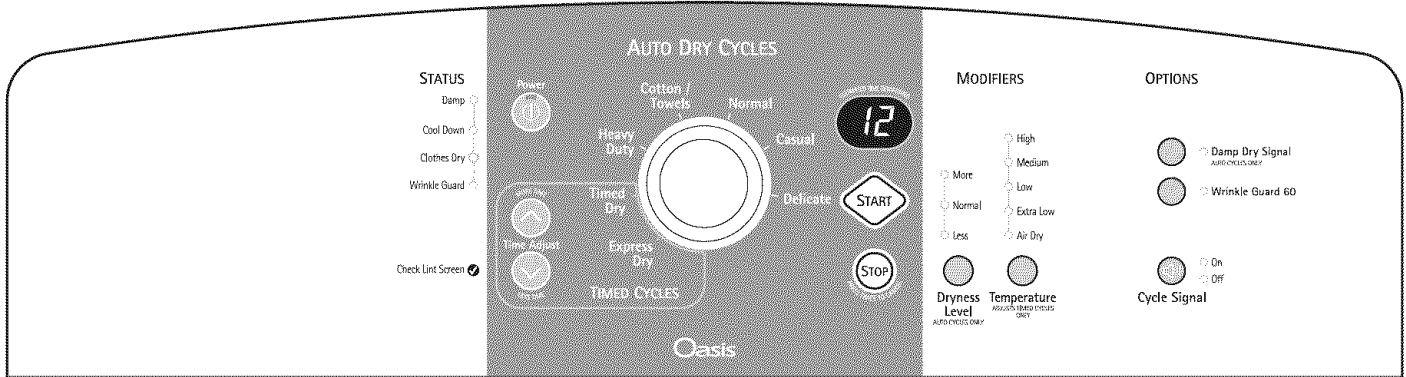
7. Remove any protective film or tape remaining on the dryer.
NOTE: Glass door models have a protective film on the window that should be removed.
8. Read "Dryer Use."
9. Wipe the dryer drum interior thoroughly with a damp cloth to remove any dust.
10. Test dryer operation by selecting a Timed Dry heated cycle and starting the dryer. For this test, do not select the Air Only modifier.

If the dryer will not start, check the following:

- Dryer is plugged into a grounded 3 prong outlet.
 - Electrical supply is connected.
 - Household fuse is intact and tight, or circuit breaker has not tripped.
 - Dryer door is closed.
11. When the dryer has been running for 5 minutes, open the dryer door and feel for heat. If you feel heat, cancel cycle and close door. If you do not feel heat, turn off the dryer and check that the gas supply line shutoff valve is open.
 - If the gas supply line shutoff valve is closed, open it, then repeat the 5-minute test as outlined above.
 - If the gas supply line shutoff valve is open, contact a qualified technician.

6. Plug into a grounded 3 prong outlet. Turn on power.

DRYER USE



Starting Your Dryer

⚠ WARNING



Explosion Hazard

Keep flammable materials and vapors, such as gasoline, away from dryer.

Do not dry anything that has ever had anything flammable on it (even after washing).

Failure to follow these instructions can result in death, explosion, or fire.

⚠ WARNING



Fire Hazard

No washer can completely remove oil.

Do not dry anything that has ever had any type of oil on it (including cooking oils).

Items containing foam, rubber, or plastic must be dried on a clothesline or by using an Air Cycle.

Failure to follow these instructions can result in death or fire.

This booklet covers several different models. Your dryer may not have all of the cycles and features described.

Follow these basic steps to start your dryer. Please refer to specific sections of this manual for more detailed information.

1. Clean lint screen before each load. See "Cleaning the Lint Screen."
2. Place laundry into dryer and shut door.
3. Press POWER.
4. Turn the cycle selector knob to the desired cycle. The preset settings for Auto Dry Cycles or Timed Cycles will illuminate. The estimated (Auto Dry Cycles) or actual (Timed Cycles) cycle time (in minutes) will show in the display.

NOTE: A default time is displayed when an Auto Dry Cycle is selected. During the first few minutes of the drying process, the cycle time may automatically vary from the default time based on the size and fabric type of the load. Toward the end of the drying process, the estimated time display will adjust again, showing the final drying time.

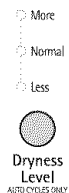
To use an Auto Dry Cycle

- Press POWER.
- Select an Auto Dry Cycle.
- Select DRYNESS LEVEL to adjust how dry you want the load. As the cycle runs, the control senses the dryness of the load and adjusts the time automatically for the selected dryness level.
The default dryness setting is Normal when an Auto Dry Cycle is selected. You can select a different dryness level, depending on your load, by pressing DRYNESS LEVEL and choosing More, Normal or Less. Selecting More, Normal or Less automatically adjusts the dryness level at which the dryer will shut off. Once a dryness level is set, it cannot be changed without stopping the cycle.
- Select the desired Options.

To make changes during an Auto Dry Cycle:

- Press STOP.
- Adjust Dryness Level.

NOTE: Dryness Level selections can be made only while using Auto Dry Cycles.

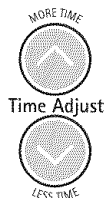


Auto Dry Cycles take the guesswork out of drying time and enhance fabric care. The amount of time that is displayed is the estimated time remaining in the cycle.

To use a Timed Cycle

- Select a Timed Cycle.
- Press the TIME ADJUST (More Time or Less Time) buttons until the desired drying time is displayed. Press MORE TIME or LESS TIME once and the time will change by 1-minute intervals. Press and hold MORE TIME or LESS TIME and the time will change by 5-minute intervals.

NOTE: The Time Adjust feature can be used only with Timed Cycles.



- Press TEMPERATURE until the desired temperature illuminates.

NOTE: During a Timed Cycle, you can change the settings for Time, Temperature, WRINKLE GUARD® and Cycle Signal.

NOTE: The Temperature feature can be used only with Timed Cycles.

- (OPTIONAL STEP) If desired, select OPTIONS. For more details, see "Options."
- (OPTIONAL STEP) If desired, press CYCLE SIGNAL. A signal will sound to alert you when a cycle ends. For more details, see "Cycle Signal."
- Press START. Be sure the door is closed.
 - If you do not press Start within 5 minutes of selecting the cycle, the dryer automatically shuts off.
 - If you wish to end your drying cycle after pressing Start, press STOP twice.

Stopping, Pausing or Restarting

To stop or pause your dryer at any time

Open the door or press STOP once. Press STOP twice to cancel a cycle.

To restart the dryer

Close the door. Press START until dryer starts.

NOTE: Drying will continue from where the cycle was interrupted if you close the door and press Start within 5 minutes. If the cycle is interrupted for more than 5 minutes, the dryer will shut off. Select new cycle settings before restarting the dryer.

Drying and Cycle Tips

Select the correct cycle and dryness level or temperature for your load. If an Auto Dry Cycle is running, the display shows the estimated cycle time when your dryer is automatically sensing the dryness level of your load. If a Timed Cycle is running, the display shows the exact number of minutes remaining in the cycle.

Cool Down tumbles the load without heat during the last few minutes of all cycles. Cool Down makes the loads easier to handle and reduces wrinkling. The length of the Cool Down depends on the load size and dryness level.

Drying tips

- Follow care label directions when they are available.
- If desired, add a fabric softener sheet. Follow package instructions.
- To reduce wrinkling, remove the load from the dryer as soon as tumbling stops. This is especially important for permanent press, knits and synthetic fabrics.
- Avoid drying heavy work clothes together with lighter fabrics. This could cause overdrying of lighter fabrics and lead to increased shrinkage or wrinkling.

Cycle tips

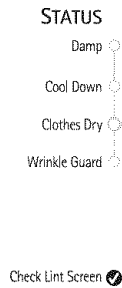
- Dry most loads using the preset cycle settings.
- Refer to the Auto or Timed Preset Cycle Settings charts (in the "Cycles" section) for a guide to drying various loads.
 - Drying temperature and dryness level are preset when you choose an Auto Dry Cycle. You can select a different dryness level, depending on your load, by pressing Dryness Level and choosing More, Normal or Less.

NOTE: You cannot use the Time Adjust and you cannot choose a Temperature with the Auto Dry Cycles.
 - If you wish to adjust the cycle length of a Timed Cycle, press the Time Adjust (More Time or Less Time) arrows. Adjust the temperature of a Timed Cycle by pressing Temperature until the desired temperature is selected.

NOTE: You cannot choose a dryness level with Timed Cycles.

Status Lights

Follow the progress of your dryer with the drying Status indicator lights.



Damp

The Damp light illuminates in an Auto Dry Cycle when the laundry is approximately 80% dry or suitable for ironing. Damp Dry Signal beeps, if selected. See "Options."

Cool Down

The Cool Down light illuminates during the cool down part of the cycle. Laundry cools for ease in handling.

Clothes Dry

The Clothes Dry light illuminates when the drying cycle is finished. This indicator stays on during WRINKLE GUARD®.

WRINKLE GUARD®

The WRINKLE GUARD® light illuminates when this option is selected. This indicator stays on during WRINKLE GUARD®.

Check Lint Screen

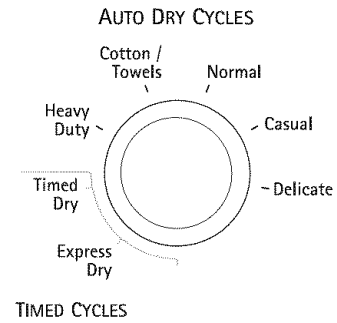
The Check Lint Screen light reminds you to check the lint screen. The light illuminates when the user selects a cycle. It goes out when the door is opened, Start is pressed, or after 5 minutes elapses.

Indicator lights

Other indicator lights show Cycle, Options, Modifiers and Cycle Signal settings selected. The display shows the estimated or actual time remaining.

Cycles

Select the drying cycle that matches the type of load you are drying. See Auto or Timed Preset Cycle Settings charts.



AUTO DRY CYCLES

Auto Dry Cycles allow you to match the cycle to the load you are drying. See the following Auto Preset Cycle Settings chart. Each cycle dries certain fabrics at the recommended temperature. A sensor detects the moisture in the load and automatically adjusts the drying time for optimal drying.

Heavy Duty

Use this cycle to get high heat for heavyweight mixed loads, cottons and jeans.

Cotton/Towels

Use this cycle to get high heat for drying heavy fabrics such as towels, sheets or cottons.

Normal

Use this cycle to get medium heat for drying sturdy fabrics such as work clothes.

Casual

Use this cycle to get low heat for drying no-iron fabrics, such as sport shirts, casual business clothes and permanent press blends.

Delicate

Use this cycle to get extra-low heat to gently dry items such as lingerie, blouses or washable knit fabrics.

Auto Preset Cycle Settings

Follow care label directions.

Auto Dry Cycles Load Type	Temperature	Time* (Minutes)
HEAVY DUTY Heavyweight mixed loads, cottons, jeans	High	50
COTTON/TOWELS Towels, sheets, cottons	High	45
NORMAL Corduroys, work clothes	Medium	40
CASUAL Business casual clothes, permanent press, synthetics	Low	35
DELICATE Lingerie, blouses, washable knit fabrics	Extra-Low	25

* Estimated Time with Auto Dry Level (Normal) setting. Time will vary depending on load type and load size.

TIMED CYCLES

Use Timed Cycles to select a specific amount of drying time and a drying temperature. When a Timed Cycle is selected, the Estimated Time Remaining display shows the actual time remaining in your cycle. You can change the actual time in the cycle by pressing the TIME ADJUST (More Time or Less Time) buttons. See "Changing Cycles, Modifiers and Options."

NOTE: Timed Cycles may also be used with the dryer rack. See "Dryer Rack."

Timed Dry

Use this cycle to complete drying if items are still damp after an Auto Dry Cycle. Timed Dry is also useful for drying heavyweight and bulky items, such as blankets and work clothes. Lightweight garments, such as exercise wear, can be dried using Timed Dry on a low temperature setting.

EXPRESS DRY™

Use this cycle for drying small loads or loads that need a short drying time.

Timed Preset Cycle Settings

Timed Cycles Load Type	Default Temperature	Default Time* (Minutes)
TIMED DRY Heavyweight, bulky items, blankets, work clothes	High	40
EXPRESS DRY™ Small loads	High	23

* Default times are remembered from the previous cycle.

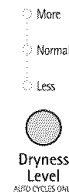
Modifiers

Auto Dry Cycle Modifiers

Use the Dryness Level Modifier to select dryness levels for the Auto Dry Cycles. Press Dryness Level until the desired Dryness Level setting illuminates.

The preset dryness setting is Normal when an Automatic Cycle is selected. You can select a different dryness level, depending on your load, by pressing Dryness Level and choosing More, Normal or Less. Selecting More, Normal or Less automatically adjusts the dryness level at which the dryer will shut off. Once a dryness level is set, it cannot be changed without stopping the cycle.

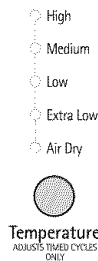
NOTE: Dryness Level selections cannot be used with the Timed Cycles.



Timed Cycle Modifiers

Use the Temperature Modifier to select temperatures for the Timed Cycles. Press Temperature until the desired temperature setting illuminates.

NOTE: Temperature modifiers cannot be used with the Auto Dry Cycles.



Air Dry

Use the Air Dry Modifier for items that require drying without heat such as rubber, plastic and heat-sensitive fabrics. This table shows examples of items that can be dried using Air Dry.

Type of Load	Time* (Minutes)
Foam rubber - pillows, padded bras, stuffed toys	20 - 30
Plastic - Shower curtains, tablecloths	20 - 30
Rubber-backed rugs	40 - 50
Olefin, polypropylene, sheer nylon	10 - 20

*Reset cycle to complete drying, if needed.

When using Air Dry

- Check that coverings are securely stitched.
- Shake and fluff pillows by hand periodically during the cycle.
- Dry item completely. Foam rubber pillows are slow to dry.

NOTE: Air Dry is not available with Auto Dry Cycles.

Options

You can customize your cycles by selecting options.

OPTIONS



Damp Dry Signal

Select the Damp Dry Signal to alert you that your clothes are approximately 80% dry or suitable for ironing. This is useful when you want to remove lightweight items in a mixed load to avoid overdrying or remove partially dry items that may need ironing.

The DAMP DRY SIGNAL is useful when drying bedsheets/linens in a mixed load. When the signal goes off, open the door to stop the dryer, rearrange the load inside the dryer, close the door and restart the dryer to finish the drying cycle. Rearranging the load will aid in the drying process.

NOTE: The Damp Dry Signal is available only with the Auto Dry Cycles.

WRINKLE GUARD® (30, 60, 90, 150 minutes)

WRINKLE GUARD® helps smooth out wrinkles that may form when clothes are not removed promptly at the end of a cycle. During this option, the dryer stops tumbling and then tumbles again for a brief period without heat when WRINKLE GUARD® is pressed.

- Press WRINKLE GUARD® to get heat-free, periodic tumbling at the end of a cycle. WRINKLE GUARD® periodically starts and stops the dryer, tumbling the load without heat for 30, 60, 90 or 150 minutes (depending on your model) unless you open the dryer door.
- Stop WRINKLE GUARD® at any time by pressing WRINKLE GUARD®, opening the dryer door or pressing STOP.
- For the Casual Cycle, WRINKLE GUARD® is preset to ON. The other Auto Dry Cycles will retain the WRINKLE GUARD® setting. For example, if you select WRINKLE GUARD® in the Normal cycle, WRINKLE GUARD® will be on the next time you select the Normal cycle.

NOTE: If you do not select WRINKLE GUARD®, the dryer stops after cool down.

Cycle Signal

Cycle Signal

The Cycle Signal produces an audible sound when the drying cycle is finished. Promptly removing clothes at the end of the cycle reduces wrinkling.

Press CYCLE SIGNAL to turn the Cycle Signal On or Off.



NOTE: When WRINKLE GUARD® is selected, a tone sounds every 5 minutes until the clothes are removed, or WRINKLE GUARD® ends.

Changing Cycles, Modifiers and Options

You can change Auto and Timed Cycles, Modifiers and Options anytime before pressing Start.

- Three short tones sound if an unavailable combination is selected. The last selection will not be accepted.

Changing Cycles after pressing Start

1. Press STOP twice.

2. Select the desired cycle and options.
3. Press START. The dryer starts at the beginning of the new cycle.

NOTE: If you do not press Start within 5 minutes of selecting the cycle, the dryer automatically shuts off.

Changing Modifiers and Options after pressing Start

You can change a Modifier or Option anytime before the selected Modifier or Option begins.

1. Press STOP once.
2. Select the new Modifier and/or Options.
3. Press START to continue the cycle.

NOTE: If you happen to press STOP twice, the program clears and your dryer shuts down. Restart the selection process.

Changing the Preset Dryness Level Settings

If all your loads on all Auto Dry cycles are consistently not as dry as you would like, you may change the preset Dryness Level settings to increase the dryness. This change will affect all of your Auto Dry cycles.

Your Dryness Level settings can be adjusted to adapt to different installations, environmental conditions or personal preference.

There are 3 drying settings: 1 (factory preset dryness level), 2 (slightly dryer clothes, approximately 15% more drying time) and 3 (much dryer clothes, approximately 30% more drying time).

1. The Dryness Level settings cannot be changed while the dryer is running.
2. Press and hold the Dryness Level button for 5 seconds. The dryer will beep, and "CF" will be displayed for 1 second followed by the current drying setting.
3. To select a new drying setting, press the Dryness Level key again until the desired drying setting is shown.
NOTE: While cycling through the settings, the current setting will not flash, but the other settings will flash.
4. Press START to save the drying setting.
5. The drying setting you selected will become your new preset drying setting for all Auto Dry cycles.

Dryer Rack

The dryer rack was shipped in the dryer drum.

Use the dryer rack for items that you do not want to tumble dry, such as sweaters.

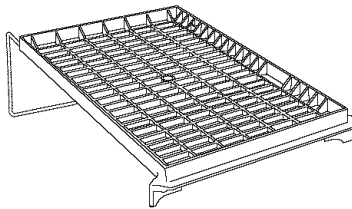
Use Timed Dry to select the desired time.

NOTE: Do not use Auto Dry Cycles with the dryer rack.

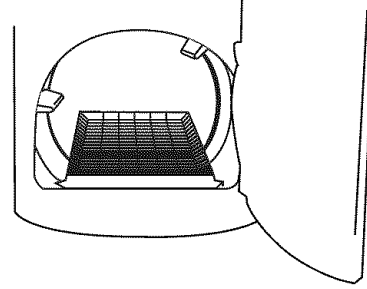
To use the dryer rack:

Do not remove the lint screen.

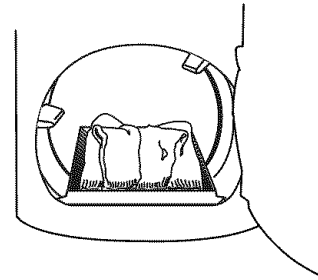
1. Open dryer door.



2. Slide dryer rack over the bottom of the dryer door opening. Rest the back wire on the dryer back ledge. Push down on the frame front to secure over lint screen.



3. Place wet items on top of the rack. Allow space around items for air to circulate. The rack does not move, but the drum will rotate. Make sure items do not hang over the edges or between rack grille.



4. Close the door.
5. Select TIMED DRY and TIME ADJUST MORE TIME or LESS TIME. Refer to the following table.
6. Select the desired temperature setting to match the fabrics in your load by pressing TEMPERATURE. Items containing foam, rubber or plastic must be dried on a clothesline or by using an air cycle. Refer to the following table.
7. Start the dryer.

NOTE: Check the lint screen and remove any lint accumulated from items dried on the rack.

Suggested Items for Rack Drying	Cycle Setting	Suggested Time* (Minutes)
Washable wool items (block to shape and lay flat on rack)	Low	20
Stuffed toys or pillows (cotton or polyester fiber filling)	Low	30
Stuffed toys (foam rubber filled)	Air Dry	50
Galoshes (rubber)	Air Dry	20
Foam rubber pillows	Air Dry	50
Tennis shoes	Air Dry	20

* Reset time as needed to complete drying.

NOTE: You must remove rack for normal tumbling. To remove the dryer rack, lift it straight up and out of the dryer.

DRYER CARE

Cleaning the Dryer Location

Keep dryer area clear and free from items that would obstruct the flow of combustion and ventilation air.

⚠ WARNING



Explosion Hazard

Keep flammable materials and vapors, such as gasoline, away from dryer.

Place dryer at least 18 inches (46 cm) above the floor for a garage installation.

Failure to do so can result in death, explosion, or fire.

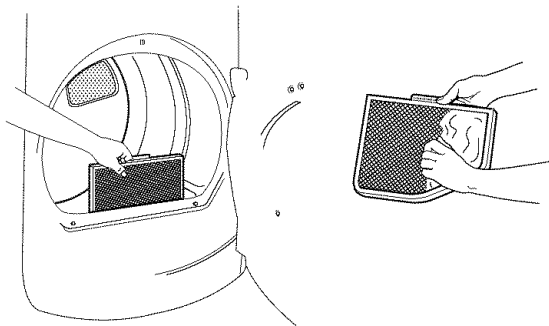
Cleaning the Lint Screen

Every load cleaning

The lint screen is located in the door opening of the dryer. The control panel has an indicator light to remind you to clean the lint screen before each load. A screen blocked by lint can increase drying time.

To clean

1. Pull the lint screen straight up. Roll lint off the screen with your fingers. Do not rinse or wash screen to remove lint. Wet lint is hard to remove.



2. Push the lint screen firmly back into place.

IMPORTANT:

- Do not run the dryer with the lint screen loose, damaged, blocked, or missing. Doing so can cause overheating and damage to both the dryer and fabrics.
- If lint falls off the screen into the dryer during removal, check the exhaust hood and remove the lint. See "Venting Requirements."

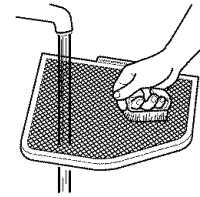
As needed cleaning

Laundry detergent and fabric softener residue can build up on the lint screen. This buildup can cause longer drying times for your clothes, or cause the dryer to stop before your load is completely dry. The screen is probably clogged if lint falls off the screen.

Clean the lint screen with a nylon brush every 6 months, or more frequently, if it becomes clogged due to a residue buildup.

To wash

1. Roll lint off the screen with your fingers.
2. Wet both sides of lint screen with hot water.
3. Wet a nylon brush with hot water and liquid detergent. Scrub lint screen with the brush to remove residue buildup.



4. Rinse screen with hot water.
5. Thoroughly dry lint screen with a clean towel. Replace screen in dryer.

Cleaning the Dryer Interior

To clean dryer drum

1. Make a paste with powdered laundry detergent and very warm water.
2. Apply paste to a soft cloth.
OR
Apply a liquid, nonflammable household cleaner to the stained area and rub with a soft cloth until all excess dye and stains are removed.
3. Wipe drum thoroughly with a damp cloth.
4. Tumble a load of clean cloths or towels to dry drum.

NOTE: Garments that contain unstable dyes, such as denim blue jeans or brightly colored cotton items, may discolor the dryer interior. These stains are not harmful to your dryer and will not stain future loads of clothes. Dry unstable dye items inside out to avoid dye transfer.

Removing Accumulated Lint

From Inside the Dryer Cabinet

Lint should be removed every 2 years, or more often, depending on dryer usage. Cleaning should be done by a qualified person.

From the Exhaust Vent

Lint should be removed every 2 years, or more often, depending on dryer usage.

Vacation and Moving Care

Vacation care

Operate your dryer only when you are at home. If you will be on vacation or not using your dryer for an extended period of time, you should:

1. Unplug dryer or disconnect power.
 2. Close shutoff valve in gas supply line.
 3. Clean lint screen. See "Cleaning the Lint Screen."
-

Moving care

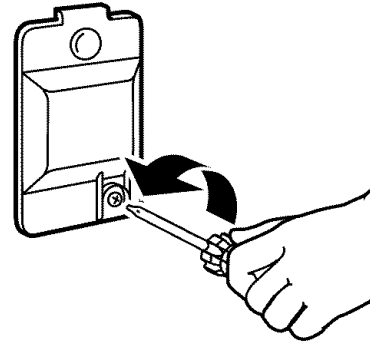
1. Unplug the power supply cord.
 2. Close shutoff valve in gas supply line.
 3. Disconnect gas supply line pipe and remove fittings attached to dryer pipe.
 4. Cap the open fuel supply line.
 5. Make sure leveling legs are secure in dryer base.
 6. Use masking tape to secure dryer door.
-

Changing the Drum Light

The dryer light automatically turns on inside the dryer drum when you open the door.

To change the drum light

1. Unplug dryer or disconnect power.
2. Open the dryer door. Locate the light bulb cover on the back wall of the dryer. Remove the screw located in the lower right corner of the cover. Remove the cover.



3. Turn bulb counterclockwise. Replace the bulb with a 10-watt appliance bulb only. Replace the cover and secure with the screw.
 4. Plug in dryer or reconnect power.
-

TROUBLESHOOTING

First try the solutions suggested here and possibly avoid the cost of a service call...

Dryer Operation

Dryer will not run

- **Has a household fuse blown, or has a circuit breaker tripped?**
Replace the fuse or reset the circuit breaker. If the problem continues, call an electrician.
 - **Was a regular fuse used?**
Use a time-delay fuse.
 - **Is the dryer door firmly closed?**
 - **Was the Start button firmly pressed?**
Large loads may require pressing and holding the Start button for 2-5 seconds.
-

No heat

- **Has a household fuse blown, or has a circuit breaker tripped?**
The drum may be turning, but you may not have heat. Replace the fuse or reset the circuit breaker. If the problem continues, call an electrician.
 - **Is the valve open on the gas supply line?**
-

Unusual sounds

- **Has the dryer had a period of non-use?**
If the dryer hasn't been used for a while, there may be a thumping sound during the first few minutes of operation.
 - **Is a coin, button or paper clip caught between the drum and front or rear of the dryer?**
Check the front and rear edges of the drum for small objects. Clean out pockets before laundering.
 - **Is it a gas dryer?**
The gas valve clicking is a normal operating sound.
 - **Are the four legs installed, and is the dryer level front to back and side to side?**
The dryer may vibrate if not properly installed. See "Installation Instructions."
 - **Is the clothing knotted or balled up?**
When balled up, the load will bounce, causing the dryer to vibrate. Separate the load items and restart the dryer.
-

Dryer displaying code message

- **"PF" (power failure), check the following:**
Was the drying cycle interrupted by a power failure? Press and hold START to restart the dryer.
 - **"F" Variable (F1, F2, F20, etc.) service codes:**
Call for service. To contact Sears Service, call 1-800-4-MY-HOME® (1-800-469-4663) or see the back page of this manual.
-

Dryer Results

Clothes are not drying satisfactorily, drying times are too long, or load is too hot

- **Is the lint screen clogged with lint?**
Lint screen should be cleaned before each load.

⚠ WARNING



Fire Hazard

Use a heavy metal vent.
Do not use a plastic vent.
Do not use a metal foil vent.
Failure to follow these instructions can result in death or fire.

- **Is the exhaust vent or outside exhaust hood clogged with lint, restricting air movement?**
Run the dryer for 5-10 minutes. Hold your hand under the outside exhaust hood to check air movement. If you do not feel air movement, clean exhaust system of lint or replace exhaust vent with heavy metal or flexible metal vent. See "Installation Instructions."
- **Are fabric softener sheets blocking the grille?**
Use only one fabric softener sheet, and use it only once.
- **Is the exhaust vent the correct length?**
Check that the exhaust vent is not too long or has too many turns. Long venting will increase drying times. See "Installation Instructions."
- **Is the exhaust vent diameter the correct size?**
Use 4" (10.2 cm) diameter vent material.

⚠ WARNING



Explosion Hazard

Keep flammable materials and vapors, such as gasoline, away from dryer.
Place dryer at least 18 inches (46 cm) above the floor for a garage installation.
Failure to do so can result in death, explosion, or fire.

- **Is the dryer located in a room with temperature below 45°F (7°C)?**
Proper operation of dryer cycles requires temperatures above 45°F (7°C).

- **Is the dryer located in a closet?**
Closet doors must have ventilation openings at the top and bottom of the door. The rear of the dryer requires 5" (12.7 cm) of airspace. See "Installation Instructions."
- **Has the Air Only modifier been selected?**
Select the right temperature for the types of garments being dried. See "Modifiers."
- **Is the load too large and heavy to dry quickly?**
Separate the load to tumble freely.
- **Are all your Auto Dry Cycle loads consistently not as dry as you would like?**
You may change the preset Dryness Level settings to increase dryness for all Auto Dry Cycles. See "Changing Cycles, Modifiers and Options."

Cycle time too short

⚠ WARNING

Excessive Weight Hazard

Use two or more people to move and install dryer.
Failure to do so can result in back or other injury.

- **Is the Auto Dry Cycle ending early?**
The load may not be contacting the sensor strips. Level the dryer.
Change the dryness level setting on Auto Dry Cycles. Increasing or decreasing the dryness level will change the amount of drying time in a cycle.
Do not use a dryer rack with an Auto Dry Cycle.

Lint on load

- **Is the lint screen clogged?**
Clean lint screen. Check for air movement.

Stains on load or drum

- **Was dryer fabric softener properly used?**
Add dryer fabric softener sheets at the beginning of the cycle. Fabric softener sheets added to a partially dried load can stain your garments.
Drum stains are caused by dyes in clothing (usually blue jeans). This will not transfer to other clothing.

Loads are wrinkled

- **Was the load removed from dryer at the end of the cycle?**
- **Was the dryer overloaded?**
Dry smaller loads that can tumble freely.

Odors

- **Have you recently been painting, staining or varnishing in the area where your dryer is located?**
If so, ventilate the area. When the odors or fumes are gone from the area, rewash and dry the clothing.

PROTECTION AGREEMENTS

Master Protection Agreements

Congratulations on making a smart purchase. Your new Kenmore® product is designed and manufactured for years of dependable operation. But like all products, it may require preventive maintenance or repair from time to time. That's when having a Master Protection Agreement can save you money and aggravation.

Purchase a Master Protection Agreement now and protect yourself from unexpected hassle and expense.

The Master Protection Agreement also helps extend the life of your new product. Here's what's included in the Agreement:

- ✓ **Expert service** by our 12,000 professional repair specialists
- ✓ **Unlimited service and no charge** for parts and labor on all covered repairs
- ✓ **"No-lemon" guarantee** – replacement of your covered product if four or more product failures occur within twelve months
- ✓ **Product replacement** if your covered product can't be fixed
- ✓ **Annual Preventive Maintenance Check** at your request – no extra charge

- ✓ **Fast help by phone** – phone support from a Sears technician on products requiring in-home repair, plus convenient repair scheduling
- ✓ **Power surge protection** against electrical damage due to power fluctuations
- ✓ **Rental reimbursement** if repair of your covered product takes longer than promised

Once you purchase the Agreement, a simple phone call is all that it takes for you to schedule service. You can call anytime day or night, or schedule a service appointment online.

Sears has over 12,000 professional repair specialists, who have access to over 4.5 million quality parts and accessories. That's the kind of professionalism you can count on to help prolong the life of your new purchase for years to come. Purchase your Master Protection Agreement today!

Some limitations and exclusions apply. For prices and additional information, call 1-800-827-6655.

Sears Installation Service

For Sears professional installation of home appliances, garage door openers, water heaters, and other major home items, in the U.S.A. call **1-800-4-MY-HOME®**.

ÍNDICE

GARANTÍA	24	Detención, pausa o reanudación de la marcha	38
SEGURIDAD DE LA SECADORA	25	Sugerencias de ciclos y secado	38
INSTRUCCIONES DE INSTALACIÓN	26	Luces de estado	39
Herramientas y piezas	26	Ciclos	39
Requisitos de ubicación	27	Modificadores	40
Requisitos eléctricos	28	Opciones	41
Requisitos del suministro de gas	28	Señal de ciclo (Cycle Signal)	42
Requisitos de ventilación	30	Cambio de ciclos, modificadores y opciones	42
Planificación del sistema de ventilación	31	Estante de la secadora	42
Instalación del sistema de ventilación	32	CUIDADO DE LA SECADORA	43
Instalación de las patas niveladoras	33	Limpieza del lugar donde está la secadora	43
Conexión del suministro de gas	33	Limpieza del filtro de pelusa	43
Conexión del ducto de escape	34	Limpieza del interior de la secadora	44
Nivelación de la secadora	34	Eliminación de pelusa acumulada	44
Cómo invertir el cierre de la puerta	34	Cuidado para las vacaciones y la mudanza	44
Complete la instalación	36	Cambio de la luz del tambor	44
USO DE LA SECADORA	37	SOLUCIÓN DE PROBLEMAS	45
Puesta en marcha de la secadora	37	CONTRATOS DE PROTECCIÓN	47
		NÚMEROS DE SERVICIO	CONTRAPORTADA

GARANTÍA DE LOS ELECTRODOMÉSTICOS KENMORE ELITE®

GARANTÍA LIMITADA DE UN AÑO

Cuando este electrodoméstico haya sido instalado, operado y mantenido según las instrucciones provistas con el producto, si este electrodoméstico falla por defectos de material o de mano de obra dentro de un año a partir de la fecha de compra, llame al 1-800-4-MY-HOME® para gestionar la reparación libre de cargo.

Si este electrodoméstico es empleado para algún otro uso que no sea el doméstico familiar, esta garantía sólo tiene vigencia por 90 días a partir de la fecha de compra.

ESTA GARANTÍA CUBRE SOLAMENTE LOS DEFECTOS DE MATERIAL Y MANO DE OBRA. SEARS NO PAGARÁ POR LO SIGUIENTE:

1. Los artículos no reutilizables que pueden gastarse por el uso normal, incluyendo, pero sin limitación, filtros, correas, focos y bolsas.
2. Un técnico de servicio para enseñarle al usuario cómo instalar, operar o mantener el producto adecuadamente.
3. Un técnico de servicio para limpiar o mantener este producto.
4. Daños a este producto o fallas del mismo en caso de no ser instalado, operado o mantenido conforme a todas las instrucciones provistas con el producto.
5. Daños a este producto o fallas del mismo como resultado de accidente, abuso, uso indebido o un uso diferente de aquel para el cual fue creado.
6. Daños a este producto o fallas del mismo causados por el uso de detergentes, limpiadores, productos químicos o utensilios diferentes de los recomendados en todas las instrucciones provistas con el producto.
7. Daños a piezas o sistemas o fallas de los mismos como resultado de modificaciones no autorizadas que se hayan efectuado en este producto.

EXCLUSIÓN DE GARANTÍAS IMPLÍCITAS; LIMITACIÓN DE RECURSOS

El único y exclusivo recurso del cliente según los términos de esta garantía limitada será el de reparar el producto según se estipula en la presente. Las garantías implícitas, incluyendo las garantías de comerciabilidad o de capacidad para un propósito particular, serán limitadas a un año o al período más corto permitido por ley. Sears no se hará responsable por daños incidentales o consecuentes. Algunos estados y provincias no permiten la exclusión o limitación de daños incidentales o consecuentes, o limitaciones acerca de cuánto debe durar una garantía implícita de comerciabilidad o capacidad, de modo que las limitaciones o exclusiones arriba mencionadas pueden no aplicarse en su caso.

Esta garantía se aplica sólo mientras este electrodoméstico se usa en los Estados Unidos y Canadá.

Esta garantía le otorga derechos legales específicos, y es posible que usted tenga también otros derechos, los cuales varían de un estado a otro.

Sears, Roebuck and Co.
Dept. 817WA, Hoffman Estates, IL 60179
Sears Canada Inc.
Toronto, Ontario, Canada M5B 2B8

REGISTRO DEL PRODUCTO

En el espacio a continuación, anote el número completo de modelo y serie así como la fecha de compra. Usted puede encontrar esta información en la etiqueta con el número de modelo y de serie ubicada en el producto.

Tenga esta información disponible para facilitarle la obtención de asistencia o servicio con prontitud siempre que llame a Sears con respecto a su electrodoméstico.

Número de modelo _____

Número de serie _____

Fecha de compra _____

Guarde estas instrucciones y su comprobante de compra para referencia futura.

SEGURIDAD DE LA SECADORA

Su seguridad y la seguridad de los demás es muy importante.

Hemos incluido muchos mensajes importantes de seguridad en este manual y en su electrodoméstico. Lea y obedezca siempre todos los mensajes de seguridad.



Este es el símbolo de advertencia de seguridad.

Este símbolo le llama la atención sobre peligros potenciales que pueden ocasionar la muerte o una lesión a usted y a los demás.

Todos los mensajes de seguridad irán a continuación del símbolo de advertencia de seguridad y de la palabra "PELIGRO" o "ADVERTENCIA". Estas palabras significan:

⚠ PELIGRO

Si no sigue las instrucciones de inmediato, usted puede morir o sufrir una lesión grave.

⚠ ADVERTENCIA

Si no sigue las instrucciones, usted puede morir o sufrir una lesión grave.

Todos los mensajes de seguridad le dirán el peligro potencial, le dirán cómo reducir las posibilidades de sufrir una lesión y lo que puede suceder si no se siguen las instrucciones.

ADVERTENCIA: Para su seguridad, la información en este manual debe ser observada para minimizar el riesgo de incendio o explosión, o para prevenir daños a propiedades, heridas o la muerte.

- No almacene o use gasolina u otros líquidos y vapores inflamables cerca de éste u otro aparato electrodoméstico.
- **PASOS QUE USTED DEBE SEGUIR SI HUELE A GAS:**
 - No trate de encender ningún aparato electrodoméstico.
 - No toque ningún interruptor eléctrico; no use ningún teléfono en su edificio.
 - Desaloje a todos los ocupantes del cuarto, edificio o área.
 - Llame inmediatamente a su proveedor de gas desde el teléfono de un vecino. Siga las instrucciones de su proveedor de gas.
 - Si usted no puede comunicarse con su proveedor de gas, llame al departamento de bomberos.
- La instalación y el servicio deben ser efectuados por un instalador calificado, una agencia de servicio o por el proveedor de gas.

En el estado de Massachusetts se aplican las siguientes instrucciones de instalación:

- Las instalaciones y reparaciones se deben efectuar por un contratista, plomero o gasista calificado o licenciado por el estado de Massachusetts.
- Si se usa una válvula de bola, debe ser un tipo de manigueta T.
- Si se usa un conector de gas flexible no debe exceder de 3 pies.

INSTRUCCIONES IMPORTANTES DE SEGURIDAD

ADVERTENCIA: A fin de reducir el riesgo de incendio, descarga eléctrica o de daño a las personas que usen la secadora, deben seguirse las precauciones básicas, incluidas las siguientes:

- Lea todas las instrucciones antes de usar la secadora.
- No coloque los objetos expuestos a aceite para cocinar en su secadora. Los objetos expuestos a aceites para cocinar pueden contribuir a una reacción química que podría causar que una carga se inflame.
- No seque artículos que ya se hayan limpiado, lavado, remojado o manchado con gasolina, disolventes de limpieza en seco, u otras sustancias inflamables o explosivas ya que despiden vapores que pueden encenderse o causar una explosión.
- No permita que jueguen los niños sobre o dentro de la secadora. Es necesaria la cuidadosa vigilancia de los niños toda vez que se use la secadora cerca de ellos.
- Quite la puerta de la secadora al compartimiento de secado antes de ponerla fuera de funcionamiento o de descartarla.
- No introduzca las manos en la secadora cuando el tambor está en movimiento.
- No instale o almacene esta secadora donde estará expuesta a agua o a la intemperie.
- No trate de forzar los controles.
- No repare o reemplace ninguna pieza de la secadora ni trate de repararla a menos que esto se recomiende específicamente en el Manual del propietario o en instrucciones de reparación publicadas para el usuario que usted comprenda y sólo si cuenta con la experiencia necesaria para llevar a cabo dicha reparación.
- No utilice suavizadores de tejidos o productos para eliminar el estático de prendas a menos que lo recomiende el fabricante del suavizador de tejidos o las instrucciones del producto en uso.
- No utilice calor para secar prendas que contengan espuma de caucho o materiales de caucho con textura similar.
- Limpie el filtro de pelusa antes o después de cada carga de ropa.
- Mantenga el área alrededor de la apertura de ventilación y las áreas adyacentes a esta apertura sin pelusa, polvo o tierra.
- La parte interior de la secadora y el ducto de escape se deben limpiar periódicamente. Esta limpieza la debe llevar a cabo un reparador calificado.
- Vea la instrucciones de instalación para los requisitos de conexión a tierra.

GUARDE ESTAS INSTRUCCIONES

IMPORTANTE: La instalación de gas debe hacerse de acuerdo con los códigos locales, o si no los hay, con el Código Nacional de Gas Combustible (National Fuel Gas Code), ANSI Z223.1/NFPA 54.

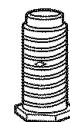
La secadora debe estar conectada a tierra de acuerdo con los códigos locales, o si no los hay, con el Código Nacional de Electricidad (National Electrical Code), ANSI/NFPA 70.

INSTRUCCIONES DE INSTALACIÓN

Herramientas y piezas

Reúna las herramientas y piezas necesarias antes de comenzar la instalación. Lea y siga las instrucciones provistas con cualquiera de las herramientas enlistadas aquí.

- Llave para tubos de 8" ó 10"
- Llave de tuercas ajustable de 8" ó 10" (para conexiones de gas)
- Destornillador de hoja plana
- Llave de tuercas ajustable que se abra a 1" (2,54 cm) o una llave de cubo de cabeza hexagonal (para regular las patas de la secadora)
- Nivel
- Abrazaderas para ducto
- Cuchillo
- Pegamento para tuberías resistente a gas LP
- Pistola y masilla para calafateo (para instalar el nuevo ducto de escape)
- Alicates
- Cinta para medir



4 patas niveladoras

Piezas necesarias

Verifique los códigos locales y con la compañía abastecedora de gas. Verifique el suministro de gas existente, el suministro eléctrico, la ventilación y lea "Requisitos eléctricos", "Requisitos de suministro de gas" y "Requisitos de ventilación" antes de comprar las piezas.

Las instalaciones en casas rodantes requieren piezas especiales (enlistadas a continuación) disponibles para la compra en su tienda local de Sears o en un Centro de servicio Sears. Para más información, llame por favor al **1-800-4-MY-HOME® (1-800-469-4663)**.

- Juego de instalación para casas rodantes. Pida la pieza número 346764.
- Herramientas para el sistema de ventilación de metal.

Piezas suministradas

Retire el paquete de piezas del tambor de la secadora. Verifique que estén todas las piezas.

Requisitos de ubicación

⚠ ADVERTENCIA



Peligro de Explosión

Mantenga los materiales y vapores inflamables, como la gasolina, lejos de la secadora.

Coloque la secadora a un mínimo de 46 cm sobre el piso para la instalación en un garaje.

No seguir estas instrucciones puede ocasionar la muerte, explosión o incendio.

Usted necesitará

- Una ubicación que permita una instalación adecuada del ducto de escape. La secadora a gas debe tener una salida de ventilación hacia el exterior. Consulte "Requisitos de ventilación".
- Un contacto con conexión a tierra ubicado a no más de 2 pies (61 cm) de cualquiera de los lados de la secadora. Vea "Requisitos eléctricos".
- Un piso resistente para soportar la secadora con un peso total (secadora y carga) de 200 lbs (90,7 kgs). Asimismo se debe considerar el peso de otro artefacto que la acompañe.
- Un piso nivelado con un declive máximo de 1" (2,5 cm) debajo de la secadora completa.

No ponga a funcionar su secadora en temperaturas que sean inferiores a 45°F (7°C). A temperaturas inferiores, es posible que la secadora no se apague al final de un ciclo automático. Los tiempos de secado pueden prolongarse.

No debe instalarse ni guardarse la secadora en un área en donde pueda estar expuesta al agua y/o a la intemperie.

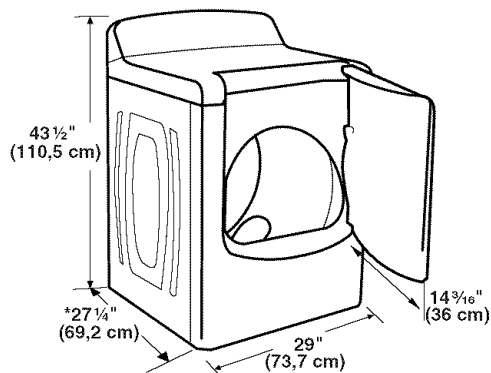
Verifique los requisitos de los códigos. Algunos códigos limitan, o no permiten, la instalación de la secadora en garajes, clósets, casas rodantes o en dormitorios. Póngase en contacto con el inspector de construcciones de su localidad.

NOTA: No se puede instalar otro electrodoméstico que use combustible en el mismo clóset en que se encuentra la secadora.

Espacios para la Instalación

La ubicación debe ser lo suficientemente grande para poder abrir completamente la puerta de la secadora.

Dimensiones de la secadora

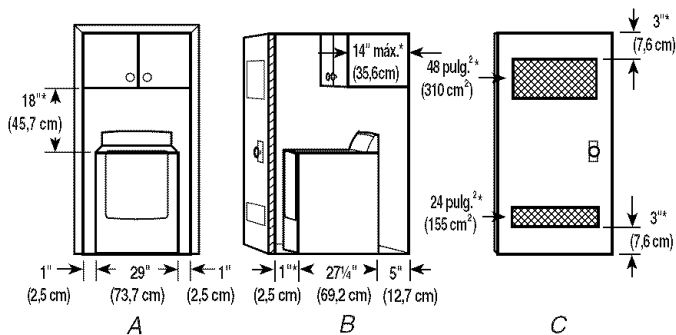


* La mayoría de las instalaciones requieren un espacio libre mínimo de 5" (12,7 cm) detrás de la secadora para acomodar el ducto de escape con codo. Vea "Requisitos de ventilación".

Espacio para la instalación en un lugar empotrado o en un clóset

Se recomiendan las siguientes medidas de espacio para esta secadora. Esta secadora ha sido puesta a prueba para espacios de 0" (0 cm) en los costados y en la parte posterior. El espacio recomendado debe ser considerado por los siguientes motivos:

- Debe considerarse el espacio adicional para facilitar la instalación y el servicio técnico.
- Se podrían necesitar espacios libres adicionales para las molduras de la pared, puerta y piso.
- Se debe considerar agregar espacio adicional en todos los lados de la secadora para reducir la transferencia de ruido.
- Para la instalación en clóset, con una puerta, se requieren aberturas de ventilación mínimas en la parte superior e inferior de la puerta. Se aceptan puertas tipo persianas con aberturas de ventilación equivalentes.
- También se debe considerar espacio adicional para otro electrodoméstico que le acompañe.
- Debe considerarse espacio adicional si va a ventilar la secadora hacia el exterior por la parte posterior izquierda o derecha.



A. Lugar empotrado

B. Vista lateral - clóset o lugar confinado

C. Puerta del clóset con orificios de ventilación

* Espacio necesario

Requisitos de instalación adicionales para las casas rodantes

Esta secadora es apropiada para instalaciones en casas rodantes. La instalación debe ajustarse al Estándar de seguridad y construcción de casas fabricadas, Título 24 CFR, Parte 3280 (anteriormente conocido como Estándar federal para la seguridad y construcción de casas rodantes, Título 24, HUD Parte 280).

Las instalaciones en casas rodantes necesitan:

- Artículos de ferretería para sistemas de ventilación de metal que se pueden comprar en su tienda Sears o en el centro de servicio técnico Sears de su localidad.
- Juego para la instalación en casas rodantes, Pieza número 346764. Vea la sección "Herramientas y piezas" para la información sobre cómo ordenar.
- Se deben tomar medidas especiales en el caso de casas rodantes para introducir el aire del exterior en la secadora. La abertura (como la de una ventana adyacente) deberá ser por lo menos el doble de tamaño que la abertura de ventilación de la secadora.

Requisitos eléctricos

⚠ ADVERTENCIA



Peligro de Choque Eléctrico

Conecte a un contacto de pared de conexión a tierra de 3 terminales.

No quite la terminal de conexión a tierra.

No use un adaptador.

No use un cable eléctrico de extensión.

No seguir estas instrucciones puede ocasionar la muerte, incendio o choque eléctrico.

- Se necesita un suministro eléctrico de 120 voltios, 60 hertzios, CA solamente, de 15 ó 20 amperios y protegido con fusible. Se recomienda el empleo de un fusible retardador o cortacircuitos. Asimismo se recomienda el uso de un circuito independiente que preste servicio únicamente a esta secadora.

Requisitos del suministro de gas

⚠ ADVERTENCIA



Peligro de Explosión

Use una línea de suministro de gas nueva con aprobación CSA Internaciónál.

Instale una válvula de cierre.

Apriete firmemente todas las conexiones de gas.

Si se conecta a un suministro de gas L.P., la presión no debe exceder una columna de agua de 33 cm (13 pulg) y debe ser verificada por una persona calificada.

Ejemplos de una persona calificada incluyen:

personal de servicio del sistema de calefacción con licencia,
personal autorizado de la compañía de gas, y
personal autorizado para dar servicio.

No seguir estas instrucciones puede ocasionar la muerte, explosión o incendio.

Tipo de gas

Gas natural:

Esta secadora está equipada para uso con gas natural. Su diseño está certificado por la CSA Internacional para gases LP (de propano o butano) con la conversión apropiada.

- Su secadora debe tener el quemador adecuado para el tipo de gas que tiene en su casa. La información respecto al quemador está ubicada en la placa de clasificación que está en la cavidad de la puerta de su secadora. Si esta información no está de acuerdo con el tipo de gas disponible, póngase en contacto con su distribuidor o llame a los números de teléfono indicados en la portada de este manual.

Conversión de gas LP:

La conversión deberá llevarla a cabo un técnico calificado.

No se deberá hacer intento alguno para convertir el uso del gas especificado en la placa de clasificación del modelo/de la serie de este artefacto por el uso de un gas distinto sin consultar con el abastecedor de gas.

La línea de suministro de gas:

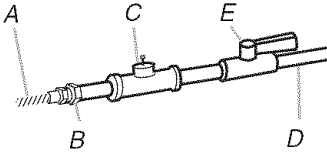
- Debe incluir una derivación tapada NPT de por lo menos 1/8" accesible para la conexión del manómetro de prueba, inmediatamente arriba de la conexión de suministro de gas a la secadora (vea la ilustración).

- Se recomienda un tubo IPS de 1/2".
- Si los códigos locales y el proveedor de gas lo permite, es aceptable una tubería de aluminio o cobre aprobada de 3/8" para longitudes menores de 20 pies (6,1 m).
- Si usted está usando gas natural, no use tubería de cobre.
- Un adaptador abocinado NPT de 3/8" por 3/8" entre el tubo de la secadora y la tubería aprobada de 3/8".
- Las longitudes superiores a los 20 pies (6,1 m) deberán usar tuberías más largas y un accesorio adaptador de tamaño distinto.
- Si su secadora ha sido convertida para usar gas LP, se puede usar tubería de cobre compatible de LP de 3/8". Si la longitud total de la línea de suministro es mayor que 20 pies (6,1 m), use un tubo más largo.

NOTA: Se deben usar pegamentos para uniones de tuberías que resistan la acción del gas LP. No use cinta de TEFLON®†.

- Debe incluir una válvula de cierre:

Debe instalarse una válvula de cierre individual manual a una distancia de no más de 6 pies (1,8 m) de la secadora de acuerdo con el Código Nacional de Gas combustible (National Fuel Gas Code), ANSI Z223.1. La válvula deberá ubicarse en un lugar donde se pueda alcanzar con facilidad para cerrarla y abrirla.



- A. Conector de gas flexible de 3/8"
- B. Accesorio adaptador abocinado para tubo de 3/8"
- C. Derivación tapada NPT por lo menos de 1/8"
- D. Línea de suministro de gas NPT de 1/2"
- E. Válvula de cierre del gas

Requisitos para la conexión del suministro de gas

- Use un codo y un accesorio adaptador abocinado NPT de 3/8" por 3/8" entre el conector de gas flexible y el tubo de gas de la secadora, para evitar que se doblen.
- Use solamente compuesto para juntas de tubería. No utilice cinta TEFLON®†.
- Esta secadora debe conectarse a la línea de suministro de gas con un conector de gas flexible que cumpla con las normas para conectores de electrodomésticos a gas, ANSI Z21.24.

Requisitos de entrada del quemador

Elevaciones superiores a 10.000 pies (3.048 m):

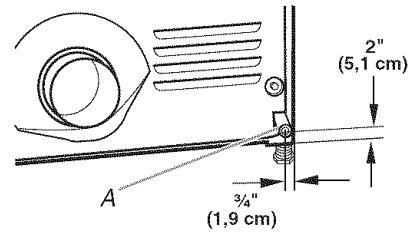
- Si se instala la secadora a un nivel superior a los 10.000 pies (3.048 m) de altitud, se requiere una reducción de categoría de Btu del 4% del quemador, que se muestra en la placa del número de modelo/serie, por cada incremento de 1.000 pies (305 m) de altitud.

Prueba de presión del suministro de gas

- Durante pruebas de presión a presiones mayores de 1/2 lb/pulg², la secadora debe ser desconectada del sistema de tubería del suministro de gas.

El tubo de gas de la secadora

- El tubo de gas que sale por la parte posterior de su secadora tiene una conexión de rosca macho de 3/8".



A. Tubo de la secadora NPT de 3/8"

†TEFLON es una marca registrada de E.I. Du Pont De Nemours and Company.

Requisitos de ventilación

⚠ ADVERTENCIA



Peligro de Incendio

Use un ducto de escape de metal pesado.

No use un ducto de escape de plástico.

No use un ducto de escape de aluminio.

No seguir estas instrucciones puede ocasionar la muerte o incendio.

ADVERTENCIA: Para reducir el riesgo de incendio, esta secadora DEBE VENTILARSE HACIA EL EXTERIOR.

IMPORTANTE: Observe todas las normas y ordenanzas vigentes.

El ducto de escape de la secadora no debe conectarse en ningún ducto de escape de gas, chimenea, pared, techo o el espacio oculto de un edificio.

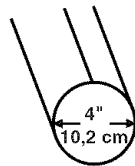
Si usa un sistema de ventilación existente

- Limpie la pelusa que está en toda la longitud del sistema y asegúrese de que la capota de ventilación no esté obstruida con pelusa.
- Reemplace cualquier ducto de escape de plástico o de hoja de metal por uno de metal pesado rígido o flexible.
- Vuelva a consultar el cuadro del sistema de ventilación. Modifique el sistema de ventilación existente si fuera necesario para lograr el mejor rendimiento de la secadora.

Si éste es un nuevo sistema de ventilación

Material de ventilación

- Use un ducto de escape de metal pesado. No use ducto de escape de plástico o de hoja de metal.
- Se debe usar un ducto de escape de metal pesado de 4" (10,2 cm) y abrazaderas. Los productos de ventilación DURASAFE™ son recomendables.



Ducto de escape de metal pesado de 4" (10,2 cm)

Los productos de ventilación DURASAFE™ pueden adquirirse en su distribuidor. Para obtener más información, sírvase llamar al **1-800-4-MY-HOME® (1-800-469-4663)** o visite nuestro sitio en la internet en **www.sears.com**.

Ducto de escape de metal rígido

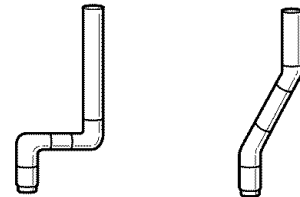
- Para un óptimo rendimiento de secado, se recomiendan ductos de escape de metal rígido.
- Se recomienda el ducto de escape de metal rígido para evitar que se aplaste o se tuerza.

Ducto de escape de metal flexible

- Los ductos de escape de metal flexible son aceptables únicamente si se puede acceder a los mismos para limpiarlos.
- El ducto de escape de metal flexible debe extenderse y sostenerse por completo cuando la secadora está en su ubicación final.
- Quite el exceso del ducto de metal flexible para evitar que se doble y se tuerza, lo cual podría dar lugar a una reducción del flujo de aire y a un rendimiento insuficiente.
- No instale el ducto de escape de metal flexible en paredes, techos o pisos encerrados.

Codos

Los codos de 45° proveen un mejor flujo de aire que los codos de 90°.

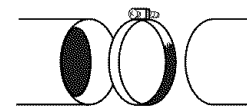


Bien

Mejor

Abrazaderas

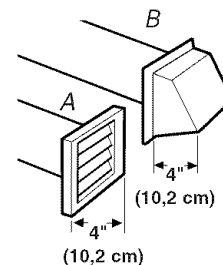
- Utilice abrazaderas para sellar todas las juntas.
- No debe conectarse ni asegurarse el ducto de escape con tornillos ni con ningún otro dispositivo que se extienda hacia el interior de dicho ducto. No utilice cinta adhesiva para conductos.



Abrazadera

Respiradero

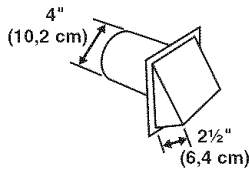
Los estilos recomendados de capotas de ventilación se ilustran aquí.



A. Estilo de capota con ventilación tipo persiana

B. Estilo de capota con ventilación tipo caja

El estilo de capota de ventilación angular (que se ilustra aquí) es aceptable.



- Una capota de ventilación debe tapan el ducto de escape para evitar el ingreso de roedores e insectos a la casa.
- La capota de ventilación debe estar por lo menos a 12" (30,5 cm) de distancia del piso o de cualquier objeto que pudiese estar en el trayecto del ducto de escape (como flores, rocas o arbustos, límite de nieve, etc).
- No use capotas de ventilación con pestillos magnéticos.

La ventilación inadecuada puede ocasionar la acumulación de humedad y pelusa en la casa, lo cual puede dar como resultado:

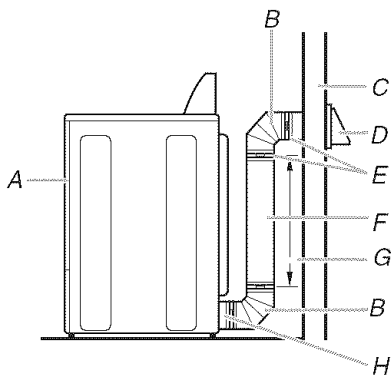
- Daños de humedad en la carpintería, muebles, pintura, empapelado, alfombras, etc.
- Problemas en la limpieza de la casa y de salud.

Planificación del sistema de ventilación

Seleccione su tipo de instalación de escape

Instalaciones recomendadas de escape

Las instalaciones típicas tienen la ventilación en la parte posterior de la secadora. Otras instalaciones son posibles.



- | | |
|--------------------------|---|
| A. Secadora | F. Ducto de metal rígido o de metal flexible |
| B. Codo | G. Longitud necesaria del ducto de escape para conectar los codos |
| C. Pared | H. Salida de ventilación |
| D. Capota de ventilación | |
| E. Abrazaderas | |

Instalaciones opcionales de escape

Los sistemas de ventilación vienen en una amplia gama. Seleccione el tipo más apropiado para su instalación.

⚠ ADVERTENCIA



Peligro de Incendio

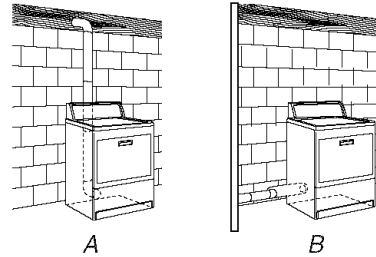
Cubra el orificio de escape no usado con el juego siguiente:

8212503

Comuníquese con su distribuidor local.

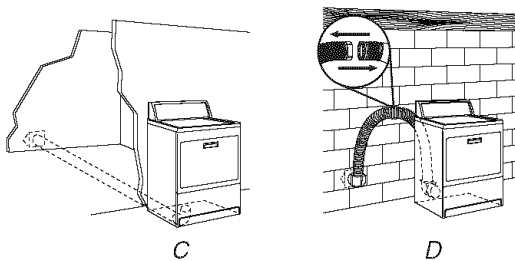
No seguir estas instrucciones puede ocasionar la muerte, incendio, choque eléctrico, o lesiones graves.

Esta secadora puede convertirse para ventilarse al exterior a través de la parte inferior. Si lo prefiere, póngase en contacto con su distribuidor local para hacer convertir su secadora. Esta secadora también puede ventilarse al exterior por su parte posterior derecha o izquierda. Se necesitan juegos opcionales para este tipo de instalaciones de ventilación. Consulte las instrucciones del fabricante para ver las instrucciones de instalación del juego.



A. Instalación estándar con desviación de la ventilación en la parte posterior

B. Instalación de ventilación en la parte posterior derecha o izquierda



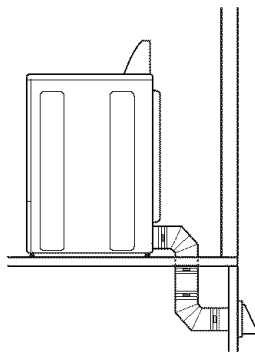
C. Instalación con ventilación en la parte inferior
D. Instalación en la parte superior (también está disponible con un codo de desviación)

NOTA: Se pueden adquirir los siguientes juegos para instalaciones alternas en espacios limitados. Para más información, por favor llame al **1-800-4-MY-HOME® (1-800-469-4663)**.

- Instalación de ventilación en la parte posterior derecha o izquierda:
Pieza número 8212504
- Instalación con ventilación en la parte inferior:
Pieza número 8212503
- Instalación en la parte superior:
Pieza número 26-49900

Previsiones especiales para las instalaciones en casas rodantes

El ducto de escape deberá sujetarse firmemente en un lugar no inflamable de la estructura de la casa rodante y no debe terminar debajo de la casa rodante. El ducto de escape debe terminar en el exterior.



Determinación de la vía del ducto de escape

- Seleccione la vía que proporcione el trayecto más recto y directo al exterior.
- Planifique la instalación a fin de usar el menor número posible de codos y vueltas.
- Cuando use los codos o haga vueltas, deje todo el espacio que sea posible.
- Doble el ducto gradualmente para evitar torceduras.
- Use la menor cantidad posible de vueltas de 90°.

Determinación de la longitud del ducto de escape y de los codos necesarios para obtener un óptimo rendimiento de secado

- Use el cuadro del sistema de ventilación a continuación para determinar el tipo de material para ducto y la combinación de capota aceptable a usar.

NOTA: No use tendidos de ducto de escape más largos que los especificados en el cuadro del sistema de ventilación. Los sistemas de ventilación más largos que los especificados:

- Acortarán la vida de la secadora.
- Reducirán el rendimiento, dando lugar a tiempos de secado más largos y un aumento en el consumo de energía.

El cuadro del sistema de ventilación indica los requisitos de ventilación que le ayudarán a alcanzar el mejor rendimiento de secado.

Cuadro del sistema de ventilación

NOTA: Para el funcionamiento del ducto de escape inferior, deberá considerarse como si fueran dos codos. Para determinar la longitud máxima del ducto de escape, agregue dos codos al cuadro.

NOTA: Para el funcionamiento del ducto de escape posterior a ambos lados de la secadora, deberá considerarse como si fuera un codo. Para determinar la longitud máxima del ducto de escape, agregue un codo al cuadro.

No. de vueltas de 90° o codos	Tipo de ducto	Capotas de ventilación de caja o tipo persiana	Capotas angulares
0	Metal rígido	64 pies (20 m)	58 pies (17,7 m)
	Metal flexible	36 pies (11 m)	28 pies (8,5 m)
1	Metal rígido	54 pies (16,5 m)	48 pies (14,6 m)
	Metal flexible	31 pies (9,4 m)	23 pies (7 m)
2	Metal rígido	44 pies (13,4 m)	38 pies (11,6 m)
	Metal flexible	27 pies (8,2 m)	19 pies (5,8 m)
3	Metal rígido	35 pies (10,7 m)	29 pies (8,8 m)
	Metal flexible	25 pies (7,6 m)	17 pies (5,2 m)
4	Metal rígido	27 pies (8,2 m)	21 pies (6,4 m)
	Metal flexible	23 pies (7 m)	15 pies (4,6 m)

Instalación del sistema de ventilación

1. Instale la capota de ventilación. Emplee una masilla de calafateo para sellar la abertura de la pared externa alrededor de la capota de ventilación.
2. Conecte el ducto de escape a la capota de ventilación. El ducto de escape debe encajar dentro de la capota de ventilación. Asegure el ducto de escape a la capota de ventilación con una abrazadera de 4" (10,2 cm).
3. Extienda el ducto de escape a la ubicación de la secadora. Use la trayectoria más recta posible. Vea "Determinación de la vía del ducto de escape" en "Planificación del sistema de ventilación". Evite giros de 90°. Use abrazaderas para sellar todas las juntas. No use cinta adhesiva para conductos, tornillos ni otros dispositivos de fijación que se extiendan dentro del ducto de escape, para fijar el mismo.

Instalación de las patas niveladoras

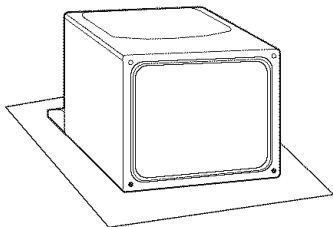
⚠ ADVERTENCIA

Peligro de Peso Excesivo

Use dos o más personas para mover e instalar la secadora.

No seguir esta instrucción puede ocasionar una lesión en la espalda u otro tipo de lesiones.

1. Para proteger el piso, use un pedazo de cartón grande y plano del embalaje de la secadora. Coloque el cartón debajo de todo el borde posterior de la secadora.
2. Sujete con firmeza el cuerpo de la secadora (no la parte superior o el panel de la consola). Coloque la secadora cuidadosamente sobre el cartón. Vea la ilustración.



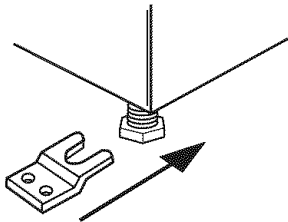
3. Examine las patas niveladoras. Localice la marca en forma de diamante.



4. Atornille con la mano las patas en los orificios de las patas. Use una llave de tuercas para terminar de atornillar las patas hasta que la marca en forma de diamante no quede visible.
5. Coloque un esquinale de cartón del empaque de la secadora debajo de cada una de las 2 esquinas posteriores de la secadora. Ponga la secadora de pie. Deslice la secadora sobre los postes esquinales hasta que quede cerca de su ubicación final. Deje suficiente espacio para conectar el ducto de escape o la línea de suministro de gas.

Para su uso en casas rodantes

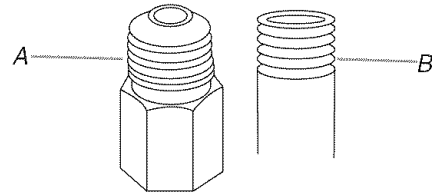
Las secadoras a gas deben ser aseguradas al piso en el momento de la instalación.



La instalación en casas rodantes requiere el Juego de Instalación para casas rodantes. Para obtener más información, sírvase llamar al 1-800-4-MY-HOME® (1-800-469-4663).

Conexión del suministro de gas

1. Quite la tapa roja del tubo de gas.
2. Utilizando una llave de tuercas, conecte el suministro de gas a la secadora. Use sellador compuesto para las roscas de todos los accesorios macho no abocinados. Si se usa tubería flexible de metal, asegúrese que no hay partes retorcidas.

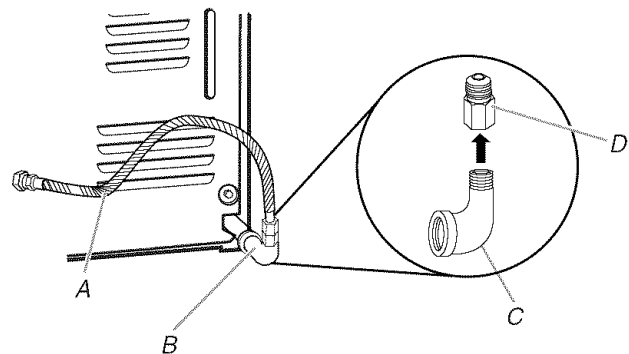


A. Accesorios macho abocinados

B. Accesorios macho no abocinados

NOTA: Para las conexiones de gas LP, debe usar un pegamento de unión de tubos resistente a la acción del gas LP. No use cinta TEFLON®†.

Se debe usar una combinación de accesorios para tuberías para conectar la secadora a la línea de suministro de gas existente. A continuación se ilustra una conexión recomendada. Su conexión puede ser distinta, de acuerdo con el tipo de línea de suministro, tamaño y ubicación.



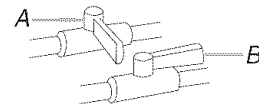
A. Conector flexible de gas de 3/8"

B. Tubo de la secadora de 3/8"

C. Codo de tubería de 3/8" a 3/8"

D. Accesorio adaptador abocinado para tubo de 3/8"

3. Abra la válvula de cierre en la línea de suministro. La válvula está abierta cuando la manija está paralela al tubo de gas.



A. Válvula cerrada

B. Válvula abierta

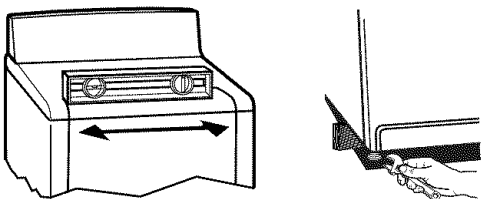
4. Pruebe todas las conexiones aplicando con un cepillo una solución aprobada para detección de fugas que no sea corrosiva. Se observarán burbujas si hay fuga. Tape cualquier fuga que encuentre.

Conexión del ducto de escape

1. Usando una abrazadera de 4" (10,2 cm), conecte el ducto de escape a la salida de aire de la secadora. Si se conecta a un ducto de escape existente, asegúrese de que el mismo esté limpio. El ducto de escape de la secadora debe encajar sobre la salida de aire de la secadora y dentro de la capota de ventilación. Cerciérese de que el ducto de escape esté asegurado a la capota de ventilación con una abrazadera de 4" (10,2 cm).
2. Mueva la secadora a su posición final. No aplaste ni retuerza el ducto de escape.
3. (En modelos a gas) Asegúrese de que no hayan torceduras en la línea de gas flexible.
4. Una vez que la conexión del ducto de escape esté lista, quite los esquinales y el cartón.

Nivelación de la secadora

Revise la nivelación de la secadora. Verifique primero de lado a lado y luego del frente hacia atrás.



Si la secadora no está nivelada, apuntale la secadora, usando un bloque de madera. Use una llave de tuercas para regular las patas hacia arriba o hacia abajo y verifique nuevamente si la secadora está nivelada.

Cómo invertir el cierre de la puerta

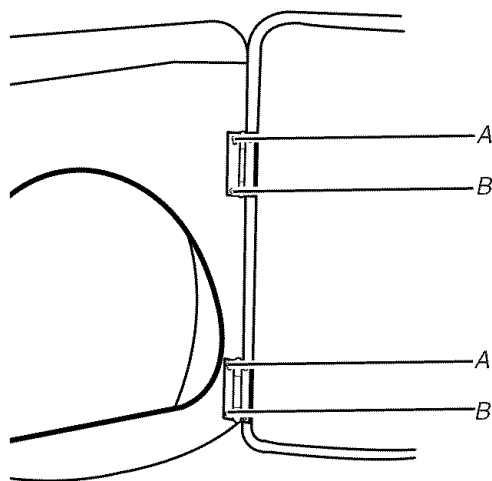
Usted puede invertir el cierre de la puerta de la apertura a la derecha a la apertura a la izquierda, si lo desea.

1. Coloque una toalla o un paño suave en la parte superior de la secadora o de la superficie de trabajo, para proteger la superficie.

Cómo quitar el ensamblaje de la puerta

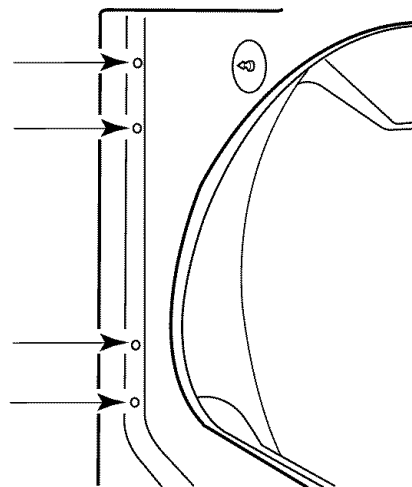
1. Abra la puerta de la secadora.
2. Quite el tornillo inferior de cada una de las 2 bisagras que unen la puerta de la secadora al panel frontal de la secadora.

3. Afloje el tornillo superior de cada una de las 2 bisagras en el paso 2.



A. Afloje estos tornillos
B. Saque estos tornillos

4. Quite la puerta de la secadora y las bisagras levantando la puerta. Coloque la puerta sobre una superficie plana y protegida con la parte interior de la puerta mirando hacia arriba. Quite los 2 tornillos flojos restantes del panel frontal de la secadora.
5. Quite los 4 tapones de plástico ubicados fuera de la abertura de la puerta de la secadora.

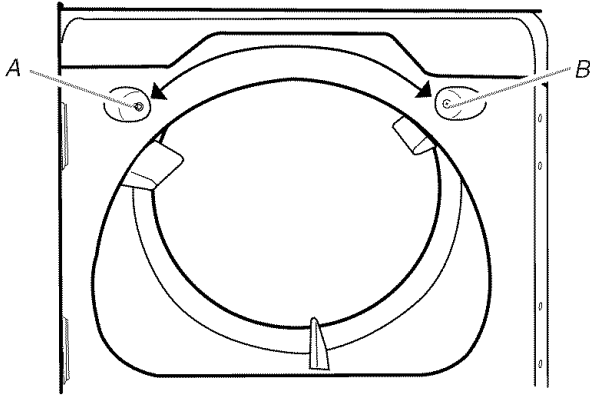


6. Instale los 4 tapones de plástico en los orificios de los tornillos de la secadora que quedaron cuando se quitaron las bisagras en el paso 4.

Cómo invertir el tope

1. Quite el tope de la puerta de la abertura de la puerta de la secadora.

2. Quite el tornillo de adorno del lado opuesto del tope de la puerta.



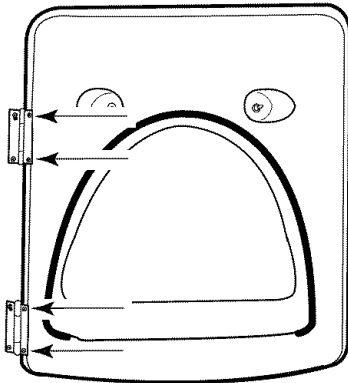
A. Tope de la puerta
B. Tornillo de adorno

3. Vuelva a instalar el tope de la puerta y el tornillo de adorno en el lado opuesto de la abertura de la puerta de la secadora de donde se quitaron.

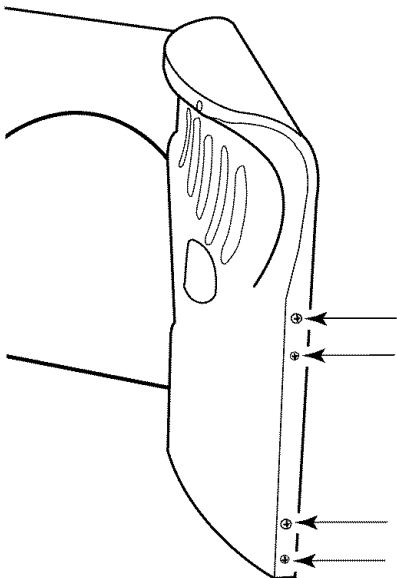
NOTA: El tope de la puerta y de los tapones deben estar del mismo lado de la abertura de la puerta de la secadora.

Vuelva a instalar la puerta

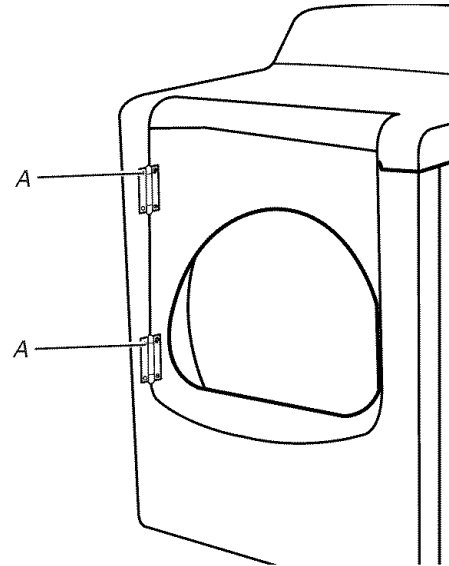
1. Quite los 4 tornillos y las 2 bisagras de la puerta de la secadora.
2. Vuelva a colocar los 4 tornillos en los mismos orificios.



3. Quite los 4 tornillos del lado opuesto de la puerta.

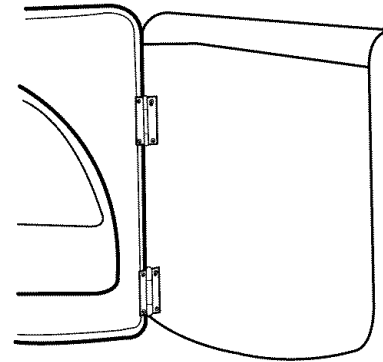


4. Instale las 2 bisagras en el panel frontal de la secadora usando 4 tornillos. Utilice el lado sin ranuras para ajustar la bisagra al panel frontal.
5. Coloque los tornillos en los orificios superiores en ambas bisagras en la puerta. No apriete los tornillos. Deje aproximadamente 1/4" (5 mm) de tornillo expuesto.



A. Instale estos tornillos primero.

6. Cuelgue la puerta colocando las cabezas de tornillo en los orificios superiores con ranuras de las bisagras y deslícela hacia abajo. Alinee los orificios de tornillo inferiores en la bisagra y la puerta. Instale los dos tornillos inferiores. Apriete todos los tornillos de las bisagras.



7. Cierre la puerta para enganchar el tope.

Complete la instalación

1. Revise para cerciorarse de que todas las piezas estén instaladas. Si hay alguna pieza extra, vuelva a revisar todos los pasos para ver cuál se omitió.
2. Verifique si tiene todas las herramientas.
3. Deshágase de todos los materiales de embalaje o recíclelos.
4. Revise la ubicación final de la secadora. Asegúrese de que el ducto de escape no esté aplastado o retorcido.
5. Verifique si la secadora está nivelada. Vea “Nivelación de la secadora”.

⚠ ADVERTENCIA



Peligro de Choque Eléctrico

Conecte a un contacto de pared de conexión a tierra de 3 terminales.

No quite la terminal de conexión a tierra.

No use un adaptador.

No use un cable eléctrico de extensión.

No seguir estas instrucciones puede ocasionar la muerte, incendio o choque eléctrico.

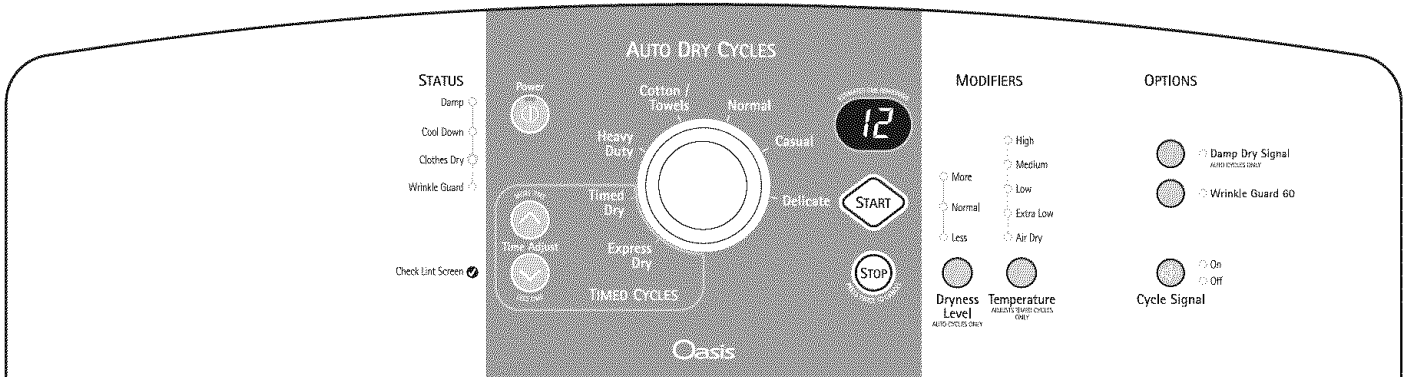
6. Conecte a un contacto de pared de conexión a tierra de 3 terminales. Conecte el suministro de energía.

7. Quite la película protectora o cinta adhesiva que haya quedado en la secadora.
NOTA: Los modelos con puerta de vidrio tienen una película protectora en la ventana, la cual debe quitarse.
8. Lea “Uso de la secadora”.
9. Limpie el interior del tambor de la secadora meticulosamente con un paño húmedo para quitar residuos de polvo.
10. Pruebe el funcionamiento de la secadora seleccionando un ciclo de secado programado (Timed Dry) con calor y ponga la secadora en marcha. Para esta prueba no seleccione el modificador de sólo aire (Air Only).

Si la secadora no funciona, revise lo siguiente:

- Que la secadora esté conectada en un contacto de 3 terminales con conexión a tierra.
 - Que el suministro eléctrico esté conectado.
 - Que el fusible de la casa esté intacto y ajustado, o que no se haya disparado el cortacircuitos.
 - Que la puerta de la secadora esté cerrada.
11. Después de que la secadora haya estado funcionando durante 5 minutos, abra la puerta y fíjese si está caliente. Si siente calor, cancele el ciclo y cierre la puerta. Si no siente calor, apague la secadora y verifique que esté abierta la válvula de cierre de la línea de suministro de gas.
 - Si está cerrada la válvula de cierre de la línea de suministro de gas, ábrala y repita la prueba de 5 minutos como se indicó anteriormente.
 - Si está abierta la válvula de cierre de la línea de suministro de gas, contacte a un técnico calificado.

USO DE LA SECADORA



Puesta en marcha de la secadora

⚠ ADVERTENCIA



Peligro de Explosión

Mantenga los materiales y vapores inflamables, tales como la gasolina, alejados de la secadora.

No seque ningún artículo que haya tenido alguna vez cualquier sustancia inflamable (aún después de lavarlo).

No seguir estas instrucciones puede ocasionar la muerte, explosión o incendio.

⚠ ADVERTENCIA



Peligro de Incendio

Ninguna lavadora puede eliminar completamente el aceite.

No seque ningún artículo que haya tenido alguna vez cualquier tipo de aceite (incluyendo los aceites de cocina).

Los artículos que contengan espuma, hule o plástico deben secarse en un tendedero o usando un Ciclo de Aire.

No seguir estas instrucciones puede ocasionar la muerte o incendio.

Este folleto cubre varios modelos diferentes. Es posible que su secadora no tenga todos los ciclos y las características descritos.

Siga estos pasos básicos para poner su secadora en marcha. Por favor consulte las secciones específicas de este manual para obtener información más detallada.

1. Limpie el filtro de pelusa antes de cada carga. Vea "Limpieza del filtro de pelusa".
2. Coloque la ropa en la secadora y cierre la puerta.
3. Presione el botón de suministro de energía (POWER).
4. Gire la perilla del selector de ciclos hacia el ciclo deseado. Los ajustes prefijados para los ciclos de secado automático o para los ciclos programados se iluminarán. El tiempo estimado (ciclos de secado automático) o real (programados) del ciclo (en minutos) aparecerá en la pantalla.

NOTA: Cuando se selecciona un ciclo de secado automático aparece en la pantalla un tiempo prefijado. Durante los primeros minutos del proceso de secado, el tiempo de secado podrá variar automáticamente del tiempo prefijado de acuerdo con el tamaño de la carga y el tipo de tela. Hacia el final del proceso de secado, el tiempo estimado de la pantalla se ajustará nuevamente, mostrando el tiempo final de secado.

Para usar un ciclo de secado automático

- Presione el botón de suministro de energía (POWER).
- Seleccione un ciclo de secado automático (Auto Dry Cycle).
- Seleccione Nivel de sequedad (DRYNESS LEVEL) para regular el nivel de sequedad que usted desea para su ropa. A medida que avanza el ciclo, el control detecta el nivel de sequedad de la carga y regula automáticamente el tiempo según el nivel de sequedad seleccionado.

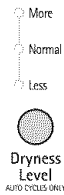
El ajuste de sequedad prefijado es Normal cuando se selecciona un ciclo de secado automático. Puede seleccionar un nivel de sequedad diferente según la carga, presionando Nivel de sequedad (DRYNESS LEVEL) y eligiendo Más (More), Normal o Menos (Less). Al seleccionar Más (More), Normal o Menos (Less) se ajusta automáticamente el nivel de sequedad, en el cual se apagará la secadora. Una vez que se haya fijado el nivel de sequedad, no podrá cambiarse si no se detiene el ciclo.

- Seleccione las Opciones deseadas.

Para hacer cambios durante un ciclo de secado automático:

- Presione Parada (STOP).
- Regule el nivel de secado.

NOTA: Las selecciones de Nivel de secado (Dryness Level) se pueden hacer únicamente con los ciclos de secado automático.

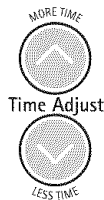


Los ciclos de secado automático (Auto Dry) eliminan el cálculo para el tiempo de secado y mejoran el cuidado de la tela. El tiempo que aparece en la pantalla corresponde al tiempo estimado que le falta al ciclo.

Para usar un ciclo programado

- Seleccione un ciclo programado (Timed cycle).
- Presione los botones de ajuste de tiempo (TIME ADJUST) Más tiempo (MORE TIME) o Menos tiempo (LESS TIME) hasta que el tiempo de secado deseado aparezca en la pantalla. Toque MORE TIME o LESS TIME una vez y el tiempo cambiará en intervalos de 1 minuto. Presione y sostenga MORE TIME o LESS TIME y el tiempo cambiará en intervalos de 5 minutos.

NOTA: Las características de ajuste de tiempo (Time Adjust) pueden ser usadas sólo con ciclos programados.



- Presione Temperatura (TEMPERATURE) hasta que la temperatura deseada se ilumine.

NOTA: Durante un ciclo programado (Timed cycle), puede cambiar los ajustes de tiempo (Time), temperatura (Temperature), protección antiarrugas (WRINKLE GUARD®) y la señal de ciclo (Cycle Signal).

NOTA: La característica de temperatura puede usarse solamente con los ciclos programados.

5. (PASO OPCIONAL) Si lo desea, seleccione Opciones (OPTIONS). Para obtener más detalles, vea “Opciones”.

6. (PASO OPCIONAL) Si lo desea, presione la señal de ciclo (CYCLE SIGNAL). Sonará una señal para avisarle cuando un ciclo ha terminado. Para obtener más detalles, vea “Señal de ciclo”.
7. Presione puesta en marcha (START). Cerciórese de que la puerta esté cerrada.
 - Si no presiona puesta en marcha dentro de los 5 minutos de haber seleccionado el ciclo, la secadora se apaga automáticamente.
 - Si desea terminar el ciclo de secado después de presionar puesta en marcha, presione Parada (STOP) dos veces.

Detención, pausa o reanudación de la marcha

Para detener o hacer una pausa de la secadora en cualquier momento

Abra la puerta u oprima STOP una vez. Presione STOP dos veces para cancelar un ciclo.

Para reanudar la marcha de la secadora

Cierre la puerta. Presione START hasta que la secadora inicie la marcha.

NOTA: El secado continuará desde la etapa en que se interrumpió el ciclo si usted cierra la puerta y presiona puesta en marcha dentro de los 5 minutos siguientes. Si se interrumpe el ciclo durante más de 5 minutos, la secadora se apagará. Seleccione nuevos ajustes de ciclo antes de volver a poner la secadora en marcha.

Sugerencias de ciclos y secado

Seleccione el ciclo y el nivel de secado o la temperatura correctos para su carga. Si está en marcha un ciclo de secado automático (Auto Dry Cycle) la pantalla muestra el tiempo estimado del ciclo, que la secadora determina al detectar automáticamente el nivel de sequedad de la carga. Si está funcionando un ciclo programado (Timed Cycle), la pantalla muestra el número exacto de minutos restantes en el ciclo.

El enfriamiento (Cool Down) hace rotar la ropa sin calor durante los últimos minutos de todos los ciclos. El enfriamiento hace que las prendas se puedan manejar con más facilidad y reduce la formación de arrugas. La duración del enfriamiento depende del tamaño de la carga y el nivel de sequedad.

Sugerencias de secado

- Siga las instrucciones de cuidado de la etiqueta cuando estén disponibles.
- Si desea, agregue una hoja de suavizante de telas. Siga las instrucciones del paquete.
- Quite la carga de la secadora tan pronto se detenga la rotación para reducir la formación de arrugas. Esto es de especial importancia para los tejidos de planchado permanente, de punto y de fibras sintéticas.
- Evite el secar la ropa de trabajo pesada junto con telas más livianas. Esto podría ocasionar un secado excesivo de las telas más livianas, dando lugar a un mayor encogimiento o formación de arrugas de las mismas.

Sugerencias de ciclos

- Seque la mayoría de las cargas usando los ajustes prefijados de ciclos.

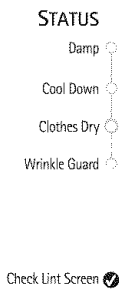
- Consulte el cuadro de Ajustes prefijados automáticos o programados (en la sección “Ciclos”) a fin de obtener una guía para el secado de diversas cargas de ropa.
- La temperatura de secado y el nivel de secado están prefijados cuando usted elige un ciclo de secado automático. Usted puede seleccionar un nivel de sequedad distinto, según su carga de ropa, al presionar Nivel de sequedad (Dryness Level) y elegir Más (More), Normal o Menos (Less).

NOTA: Usted no puede usar el ajuste de tiempo (Time Adjust) ni puede elegir la temperatura con los ciclos de secado automático (Auto Dry Cycles).
- Si desea regular la duración de un ciclo programado, presione las flechas de Más tiempo (More Time) o Menos tiempo (Less Time) del ajuste de tiempo (Time Adjust). Ajuste la temperatura de un ciclo programado presionando Temperatura (Temperature) hasta seleccionar la temperatura deseada.

NOTA: Usted no puede elegir el nivel de sequedad (Dryness Level) con los ciclos programados (Timed Cycles).

Luces de estado

Observe el progreso de su secadora con las luces indicadoras de estado.



Húmedo (Damp)

La luz de Damp se ilumina en un ciclo de secado automático cuando la ropa está aproximadamente 80% seca o lista para plancharse. La señal de semi seco (Damp Dry Signal) suena, si se ha seleccionado. Vea “Opciones”.

Enfriamiento (Cool Down)

La luz de Cool Down se ilumina durante la etapa de enfriamiento del ciclo. La ropa se enfría para facilitar su manejo.

Ropa Seca (Clothes Dry)

La luz de Clothes Dry se ilumina cuando el ciclo de secado ha terminado. Esta luz indicadora permanece encendida con WRINKLE GUARD®.

Protector antiarrugas (WRINKLE GUARD®)

La luz de WRINKLE GUARD® se ilumina cuando se ha seleccionado esta opción. Esta luz indicadora permanece encendida con WRINKLE GUARD®.

Revisar el filtro de pelusa (Check Lint Screen)

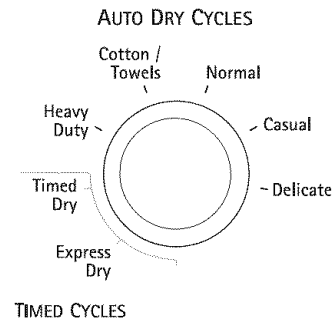
La luz de revisar el filtro de pelusa (Check Lint Screen) le recuerda que debe controlar el filtro de pelusa. La luz se enciende cuando el usuario selecciona un ciclo. Se apaga cuando se abre la puerta, cuando se presiona puesta en marcha (Start) o después de que pasen 5 minutos.

Luces indicadoras (Indicator Lights)

Las otras luces indicadoras muestran los ajustes de ciclo, opciones, modificadores y la señal de ciclo seleccionados. La pantalla muestra el tiempo estimado o real restante.

Ciclos

Seleccione el ciclo de secado de acuerdo con el tipo de carga que va a secar. Vea los cuadros de Ajustes prefijados de ciclos automáticos o programados.



CICLOS DE SECADO AUTOMÁTICO

Los ciclos de secado automático (Auto Dry Cycles) le permiten regular el ciclo según la carga que va a secar. Vea el siguiente cuadro de Ajustes prefijados de ciclos automáticos. Cada ciclo seca determinadas telas a la temperatura recomendada. Un sensor detecta la humedad de la carga y regula automáticamente el tiempo de secado para lograr un secado óptimo.

Secado intenso (Heavy Duty)

Use este ciclo para obtener calor alto para cargas pesadas mixtas, algodón y telas de mezclilla.

Algodón/Toallas (Cotton/Towels)

Use este ciclo para obtener calor alto para secar los tejidos pesados, tales como toallas, sábanas o prendas de algodón.

Normal

Use este ciclo para obtener calor medio para secar telas resistentes como ropa de trabajo.

Informal (Casual)

Use este ciclo para obtener calor bajo para secar telas que no necesitan planchado como camisas deportivas, ropa de oficina informal y mezclas de planchado permanente.

Ropa delicada (Delicate)

Use este ciclo para obtener calor extra bajo para secar cuidadosamente artículos como lencería, blusas o tejidos de punto lavables.

Ajustes prefijados de ciclos automáticos

Siga las instrucciones de cuidado de la etiqueta.

Ciclos de secado automático Tipo de carga	Temperatura	Tiempo* (Minutos)
Secado intenso (HEAVY DUTY) Cargas pesadas mixtas, algodón y pantalones de mezclilla	Alta	50
Algodón/toallas (COTTON/TOWELS) Toallas, sábanas, prendas de algodón	Alta	45
NORMAL Ropa de pana, ropa de trabajo	Media	40
Informal (CASUAL) Ropa de oficina informal, fibras de planchado permanente, fibras sintéticas	Baja	35
Ropa delicada (DELICATE) Lencería, blusas, tejidos de punto lavables	Extra baja	25

*Tiempo estimado con ajuste de nivel (normal) de secado automático. El tiempo variará según el tipo y tamaño de carga.

CICLOS PROGRAMADOS

Use los ciclos programados (Timed Cycles) para seleccionar una cantidad específica de tiempo de secado y temperatura de secado. Al seleccionar un ciclo programado, la pantalla de Tiempo estimado restante (Estimated Time Remaining) muestra el tiempo real restante del ciclo. Puede cambiar el tiempo real del ciclo presionando los botones de ajuste de tiempo (TIME ADJUST) (Más tiempo o Menos tiempo). Vea "Cambio de ciclos, opciones y modificadores".

NOTA: Los ciclos programados pueden también usarse con el estante de la secadora. Vea "Estante de la secadora".

Secado programado (Timed Dry)

Use este ciclo para terminar el secado de artículos que todavía están húmedos después de un ciclo de secado automático. El secado programado es también útil para secar artículos pesados y voluminosos como cubrecamas y ropa de trabajo. Las prendas de peso liviano tales como ropa de ejercicio pueden secarse usando el secado programado (Timed Dry) en un ajuste bajo de temperatura.

Secado expreso (EXPRESS DRY™)

Use este ciclo para secar cargas pequeñas o cargas que necesitan un tiempo de secado corto.

Ajustes prefijados de ciclos programados

Ciclos programados Tipo de carga	Temperatura por omisión	Tiempo por omisión* (Minutos)
Secado programado (TIMED DRY) Ropa pesada, ropa voluminosa, cubrecamas, ropa de trabajo	Alta	40
Secado expreso (EXPRESS DRY™) Cargas pequeñas	Alta	23

* Los tiempos prefijados quedan grabados del ciclo previo.

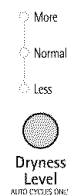
Modificadores

Modificadores del ciclo de secado automático

Use el modificador de nivel de sequedad para seleccionar los niveles de sequedad para los ciclos de secado automático. Presione el nivel de sequedad hasta que se ilumine el ajuste deseado de nivel de sequedad.

El ajuste de sequedad prefijado es Normal cuando se selecciona un ciclo automático. Puede seleccionar un nivel de sequedad diferente según la carga, presionando Nivel de sequedad (Dryness Level) y eligiendo Más (More), Normal o Menos (Less). Al seleccionar Más (More), Normal o Menos (Less) se ajusta automáticamente el nivel de sequedad, en el cual se apagará la secadora. Una vez que se haya fijado el nivel de sequedad, no podrá cambiarse si no se detiene el ciclo.

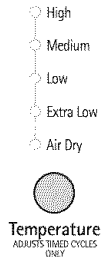
NOTA: Las selecciones de nivel de sequedad no pueden usarse con los ciclos programados.



Modificadores de los ciclos programados

Use el modificador de temperatura para seleccionar las temperaturas para los ciclos programados. Presione Temperatura (TEMPERATURE) hasta que se ilumine el ajuste deseado de temperatura.

NOTA: Los modificadores de temperatura no se pueden usar con los ciclos de secado automático.



Secado al aire (Air Dry)

Use el modificador de secado al aire para artículos que necesiten secarse sin calor como artículos de goma, de plástico y telas sensibles al calor. Esta tabla muestra ejemplos de artículos que pueden secarse usando secado al aire (Air Dry).

Tipo de carga	Tiempo* (Minutos)
Goma espuma – almohadas, brasieres acolchados, juguetes de peluche	20 - 30
Plástico – cortinas de baño, manteles	20 - 30
Alfombras con reverso de goma	40 - 50
Olefina, polipropileno, nilón transparente	10 - 20

* Reajuste el ciclo para terminar de secar si fuera necesario.

Cuando use secado al aire

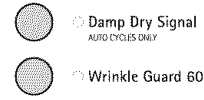
- Revise las cubiertas para ver si las costuras están firmes.
- Sacuda y palmotee las almohadas con la mano periódicamente durante el ciclo.
- Seque el artículo completamente. Las almohadas de goma espuma tardan en secar.

NOTA: El modificador de secado al aire no está disponible en los ciclos de secado automático.

Opciones

Usted puede personalizar sus ciclos al seleccionar opciones.

OPTIONS



Señal de semi seco (Damp Dry Signal)

Seleccione la señal de semi seco para alertarle cuando su ropa esté aproximadamente 80% seca o lista para plancharse. Esto es útil cuando usted quiere quitar artículos livianos en una carga mixta para evitar que se sequen en exceso, o para quitar artículos parcialmente secos que pudiesen necesitar un planchado.

La señal de semi seco (DAMP DRY SIGNAL) es útil cuando seca sábanas/artículos de lino en una carga mixta. Cuando suene la señal, abra la puerta para detener la secadora, vuelva a arreglar la carga dentro de la secadora, cierre la puerta y vuelva a poner la secadora en marcha para terminar el ciclo de secado. El volver a arreglar la carga, ayudará en el proceso de secado.

NOTA: La señal de semi seco está disponible solamente con los ciclos de secado automático.

Protector antiarrugas (WRINKLE GUARD®) (30, 60, 90 y 150 minutos)

WRINKLE GUARD® ayuda a prevenir las arrugas que se forman cuando usted no puede descargar la secadora tan pronto termina el ciclo. Durante esta opción, la secadora deja de girar y vuelve a girar nuevamente por un breve período sin calor cuando se presiona WRINKLE GUARD®.

- Presione protección antiarrugas (WRINKLE GUARD®) para obtener una rotación periódica sin calor al final del ciclo. WRINKLE GUARD® periódicamente comienza y detiene la secadora, haciendo girar la ropa sin calor por 30, 60, 90 ó 150 minutos (dependiendo del modelo) a menos que usted abra la puerta de la secadora.
- Detenga el protector antiarrugas (WRINKLE GUARD®) en cualquier momento presionando el botón WRINKLE GUARD®, abriendo la puerta de la secadora o presionando Parada (STOP).
- Para el ciclo informal (Casual), la protección antiarrugas WRINKLE GUARD® está prefijada en encendido (ON). Los otros ciclos de secado automático retendrán el ajuste de WRINKLE GUARD®. Por ejemplo, si usted selecciona WRINKLE GUARD® en el ciclo Normal, WRINKLE GUARD® estará encendida la próxima vez que seleccione el ciclo Normal.

NOTA: Si usted no selecciona WRINKLE GUARD®, la secadora se detiene después del periodo de enfriamiento.

Señal de ciclo (Cycle Signal)

Señal de ciclo (Cycle Signal)

La señal de ciclo emite un sonido audible una vez que el ciclo de secado ha terminado. El quitar la ropa con prontitud al final del ciclo reduce la formación de arrugas.

Presione la señal de ciclo (CYCLE SIGNAL) para encender o apagar la señal de ciclo.



NOTA: Cuando se selecciona protección antiarrugas (WRINKLE GUARD®), se escuchará un sonido audible cada 5 minutos hasta que se saque la ropa o hasta que el período de protección antiarrugas (WRINKLE GUARD®) se haya terminado.

Cambio de ciclos, modificadores y opciones

Usted puede cambiar los ciclos automáticos y programados, modificadores y opciones en cualquier momento antes de presionar Puesta en marcha (Start).

- Al seleccionar una combinación no disponible se escuchan tres tonos audibles cortos. No se aceptará la última selección.

Cambio de ciclos después de presionar puesta en marcha

1. Presione Parada (STOP) dos veces.
2. Seleccione el ciclo y las opciones deseados.
3. Presione START. La secadora vuelve a funcionar al comienzo del nuevo ciclo.

NOTA: Si usted no oprime puesta en marcha dentro de los 5 minutos de haber seleccionado el ciclo, la secadora se apaga automáticamente.

Cambio de modificadores y opciones después de presionar puesta en marcha

Usted puede cambiar un modificador u opción en cualquier momento antes de que comience el modificador u opción seleccionado.

1. Presione STOP una vez.
2. Seleccione el nuevo modificador y/u opción.
3. Presione START para continuar el ciclo.

NOTA: Si accidentalmente presiona parada (STOP) dos veces, el programa se despejará y la secadora se apagará. Vuelva a iniciar el proceso de selección.

Cómo cambiar los ajustes prefijados de nivel de sequedad

Si todas las cargas de los ciclos de secado automático (Auto Dry) no están tan secas como usted quisiera, puede cambiar los ajustes prefijados de nivel de sequedad (Dryness Level) para aumentar la sequedad. Este cambio afectará todos los ciclos de secado automático.

Los ajustes de nivel de sequedad pueden ajustarse para adecuarse a las diferentes instalaciones, las condiciones del medio ambiente o las preferencias personales. Existen 3 ajustes de secado: 1 (nivel de sequedad prefijado de fábrica), 2 (prendas ligeramente más secas, aproximadamente 15% más de tiempo de secado) y 3 (prendas mucho más secas, aproximadamente 30% más de tiempo de secado).

1. Los ajustes de nivel de sequedad no pueden cambiarse mientras esté funcionando la secadora.
2. Presione y sostenga el botón de nivel de sequedad (Dryness Level) por 5 segundos. La secadora sonará, y aparecerá en la pantalla "CF" por 1 segundo seguido del ajuste de secado actual.
3. Para seleccionar un nuevo ajuste de secado, presione nuevamente el botón de nivel de sequedad (Dryness Level) hasta que aparezca el ajuste de secado deseado.
NOTA: Entre los ciclos de ajustes, el ajuste actual no destellará, pero sí los otros ajustes.
4. Presione puesta en marcha (START) para grabar el ajuste de secado.
5. El ajuste de secado que usted seleccionó se convertirá en el nuevo ajuste de secado prefijado para todos los ciclos de secado automático.

Estante de la secadora

El estante de la secadora fue embalado dentro del tambor de la secadora.

Use el estante de la secadora para artículos que usted no quiere secar con rotación, como son suéteres.

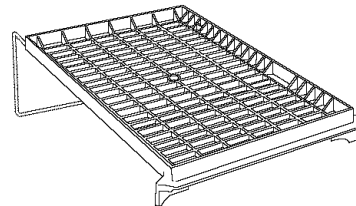
Use el Secado programado (Timed Dry) para seleccionar la duración deseada.

NOTA: No use ciclos de secado automático con el estante de secado.

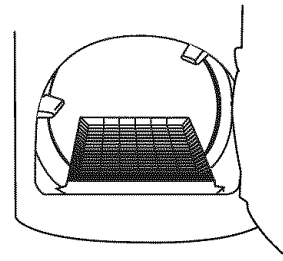
Para usar el estante de la secadora:

No quite el filtro de pelusa.

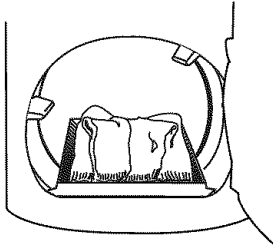
1. Abra la puerta de la secadora.



2. Deslice el estante de la secadora sobre la parte inferior de la abertura de la secadora. Deje el alambre posterior sobre el reborde de la parte posterior de la secadora. Empuje hacia abajo el frente del marco para asegurarlo sobre el filtro de pelusa.



- Coloque los artículos mojados encima del estante. Deje espacio alrededor de los artículos para que circule el aire. El estante no se mueve, pero el tambor rotará. Asegúrese que los artículos no cuelguen por los bordes o entre las rejillas del estante.



- Cierre la puerta.
- Seleccione secado programado (TIMED DRY) y ajuste el tiempo (TIME ADJUST) más tiempo (MORE TIME) o menos tiempo (LESS TIME). Consulte el cuadro a continuación.
- Seleccione el ajuste deseado de temperatura para el tipo de telas en la carga presionando temperatura (TEMPERATURE). Los artículos que contengan espuma, hule o plástico deben secarse en un tendedero o usando un ciclo de aire. Consulte el cuadro a continuación.
- Ponga la secadora en marcha.

NOTA: Revise el filtro de pelusa y quite cualquier pelusa acumulada proveniente de los artículos que se han secado en el estante.

Artículos sugeridos para el secado en el estante	Ajuste de ciclo	Tiempo sugerido* (Minutos)
Artículos lavables de lana (déles forma y extiéndalos en sentido plano en el estante)	Bajo (Low)	20
Juguetes de peluche o almohadas (con relleno de algodón o fibra de poliéster)	Bajo	30
Juguetes de peluche (con relleno de goma espuma)	Secado al aire (Air Dry)	50
Galochas (de goma)	Secado al aire	20
Almohadas de goma espuma	Secado al aire	50
Zapatillas de tenis	Secado al aire	20

*Vuelva a fijar el tiempo de secado según como sea necesario para lograr un secado completo.

NOTA: Usted debe quitar el estante para un secado normal. Para quitar el estante de secado, levántelo directamente hacia arriba y afuera de la secadora.

CUIDADO DE LA SECADORA

Limpieza del lugar donde está la secadora

Mantenga el área donde está la secadora despejada y libre de artículos que pudieran obstruir el flujo de aire para la combustión y la ventilación.

⚠ ADVERTENCIA



Peligro de Explosión

Mantenga los materiales y vapores inflamables, como la gasolina, lejos de la secadora.

Coloque la secadora a un mínimo de 46 cm sobre el piso para la instalación en un garaje.

No seguir estas instrucciones puede ocasionar la muerte, explosión o incendio.

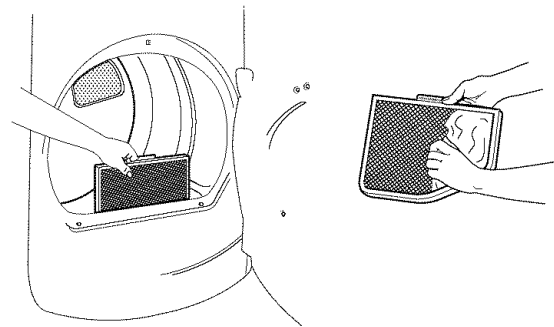
Limpieza del filtro de pelusa

Limpieza de cada carga

El filtro de pelusa está ubicado en la abertura de la puerta de la secadora. El panel de control tiene una luz indicadora para recordarle que tiene que limpiar el filtro de pelusa antes de cada carga. Un filtro obstruido con pelusa puede aumentar el tiempo de secado.

Para limpiar

- Jale el filtro de pelusa en sentido recto hacia arriba. Quite la pelusa del filtro enrollándola con sus dedos. No enjuague ni lave el filtro para quitar la pelusa. La pelusa mojada es difícil de quitar.



- Empuje el filtro de pelusa firmemente de vuelta en su lugar.

IMPORTANTE:

- No ponga a funcionar la secadora con un filtro de pelusa flojo, dañado, obstruido o sin él. El hacerlo puede causar un sobrecalentamiento y dañar tanto la secadora como la ropa.
- Si al quitar la pelusa del filtro, ésta cae en la secadora, revise la capota de ventilación y quite la pelusa. Vea "Requisitos de ventilación".

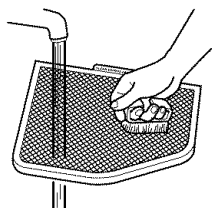
Limpieza según la necesidad

Los residuos de detergente de lavandería y suavizante de telas pueden acumularse en el filtro de pelusa. Esta acumulación puede ocasionar tiempos de secado más prolongados para su ropa, o hacer que la secadora se detenga antes de que su carga esté completamente seca. Si la pelusa se cae del filtro, es probable que el filtro esté obstruido.

Limpie el filtro de pelusa con un cepillo de nylon cada 6 meses o con más frecuencia si se obstruye debido a la acumulación de residuos.

Para lavar

1. Quite la pelusa del filtro enrollándola con sus dedos.
2. Moje ambos lados del filtro de pelusa con agua caliente.
3. Moje un cepillo de nylon con agua caliente y detergente líquido. Talle el filtro de pelusa con el cepillo para quitar la acumulación de residuos.



4. Enjuague el filtro con agua caliente.
5. Seque meticulosamente el filtro de pelusa con una toalla limpia. Vuelva a colocar el filtro en la secadora.

Limpieza del interior de la secadora

Para limpiar el tambor de la secadora

1. Haga una pasta con un detergente de lavandería en polvo y agua bien tibia.
2. Aplique la pasta a un paño suave.
 - Aplique al área manchada un producto de limpieza doméstico líquido, no inflamable y frótelos con un paño suave hasta quitar todo el exceso de tinte y manchas.
3. Limpie el tambor meticulosamente con un paño húmedo.
4. Ponga a funcionar la secadora con una carga de ropa limpia o toallas para secar el tambor.

NOTA: Las prendas que contienen tintes desteñibles, tales como los pantalones de mezclilla o artículos de algodón de colores vivos, pueden teñir el interior de la secadora. Estas manchas no dañan su secadora y no mancharán las cargas de ropa futuras. Seque al revés los artículos que destiñen para evitar la transferencia de tintes.

Eliminación de pelusa acumulada

En el interior del gabinete de la secadora

Según el uso de la secadora, se debe quitar la pelusa cada 2 años, o con más frecuencia. La limpieza deberá efectuarla una persona calificada.

En el ducto de escape

La pelusa debe ser quitada cada 2 años, o con más frecuencia, de acuerdo con el uso de la secadora.

Cuidado para las vacaciones y la mudanza

Cuidado para las vacaciones

Ponga la secadora a funcionar sólo cuando esté en casa. Si va a salir de vacaciones o no va a usar su secadora por un tiempo prolongado, usted deberá:

1. Desenchufar la secadora o desconectar el suministro de energía.
2. Cerrar la válvula de cierre en la línea de suministro de gas.
3. Limpiar el filtro de pelusa. Vea "Limpieza del filtro de pelusa".

Cuidado para la mudanza

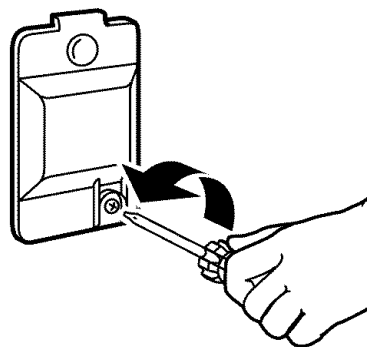
1. Desenchufe el cable de suministro de energía.
2. Cierre la válvula de cierre en la línea de suministro de gas.
3. Desconecte el tubo de la línea de suministro de gas y quite los accesorios adheridos al tubo de la secadora.
4. Ponga una tapa en la línea abierta del suministro de combustible.
5. Asegúrese de que las patas niveladoras estén fijas en la base de la secadora.
6. Use cinta adhesiva para asegurar la puerta de la secadora.

Cambio de la luz del tambor

La luz de la secadora se enciende automáticamente en el interior del tambor de la secadora cuando usted abre la puerta.

Para cambiar la luz del tambor

1. Desenchufe la secadora o desconecte el suministro de energía.
2. Abra la puerta de la secadora. Localice la cubierta del foco de luz en la pared posterior de la secadora. Quite el tornillo ubicado en la esquina inferior derecha de la cubierta. Quite la cubierta.



3. Gire el foco en sentido contrario a las manecillas del reloj. Reemplácelo únicamente con un foco para electrodomésticos de 10 W. Vuelva a colocar la cubierta en su lugar y asegúrela con un tornillo.
4. Enchufe la secadora o reconecte el suministro de energía.

SOLUCIÓN DE PROBLEMAS

Pruebe primero las soluciones aquí sugeridas y posiblemente se evite el costo de una visita de servicio técnico...

Funcionamiento de la secadora

La secadora no funciona

- **¿Hay un fusible de la casa fundido o se disparó el cortacircuitos?**
Reemplace el fusible o reposicione el cortacircuitos. Si el problema continúa, llame a un electricista.
- **¿Se usó un fusible normal?**
Use un fusible retardador.
- **¿Está cerrada con firmeza la puerta de la secadora?**
- **¿Se oprimió con firmeza el botón de Puesta en marcha?**
Para cargas más grandes puede ser necesario presionar y sostener el botón de puesta en marcha (Start) por 2 a 5 segundos.

Sin calor

- **¿Hay un fusible de la casa fundido o se disparó el cortacircuitos?**
El tambor quizás rote pero sin calor. Reemplace el fusible o reposicione el cortacircuitos. Si el problema continúa, llame a un electricista.
- **¿Está la válvula abierta en la línea de suministro de gas?**

Sonidos raros

- **¿Ha estado la secadora sin uso por una temporada?**
Si no se ha usado la secadora por una temporada, es posible que se escuche un sonido fuerte durante los primeros minutos de funcionamiento.
- **¿Hay una moneda, botón o sujetapapeles entre el tambor y la parte frontal o trasera de la secadora?**
Revise los bordes frontales y traseros del tambor para verificar si hay objetos pequeños. Limpie los bolsillos antes del lavado.
- **¿Es una secadora a gas?**
El chasquido de la válvula de gas es un sonido de funcionamiento normal.
- **¿Están las cuatro patas instaladas y está la secadora nivelada de frente hacia atrás y de lado a lado?**
La secadora puede vibrar si no está instalada adecuadamente. Vea "Instrucciones de instalación".
- **¿Las prendas están enredadas o hechas un ovillo?**
Si la carga está hecha un ovillo, rebotará haciendo vibrar a la secadora. Separe los artículos de la carga y reinicie la secadora.

La secadora muestra mensajes codificados

- **"PF" (corte de corriente), revise lo siguiente:**
¿Se ha interrumpido el ciclo de secado por un corte de corriente? Presione y sostenga Puesta en marcha (START) para reanudar la marcha de la secadora.
- **"F" Códigos de servicio técnico variables (F1, F2, F20, etc.):** Llame solicitando servicio técnico. Para contactar el servicio técnico de Sears, sírvase llamar al 1-800-4-MY-HOME® (1-800-469-4663) o vea la contraportada de este manual.

Resultados de la secadora

Las prendas no se secan satisfactoriamente, los tiempos de secado son demasiado largos, la carga está demasiado caliente

- **¿Está el filtro de pelusa obstruido con pelusa?**
El filtro de pelusa debe ser limpiado antes de cada carga.

⚠ ADVERTENCIA



Peligro de Incendio

Use un ducto de escape de metal pesado.

No use un ducto de escape de plástico.

No use un ducto de escape de aluminio.

No seguir estas instrucciones puede ocasionar la muerte o incendio.

- **¿Está obstruido con pelusa el ducto de escape o la capota de ventilación exterior, restringiendo el flujo del aire?**
Ponga a funcionar la secadora unos 5 a 10 minutos. Ponga su mano debajo de la capota de ventilación exterior, para verificar el movimiento del aire. Si no lo siente, limpie la pelusa del sistema de ventilación o reemplace el ducto de escape con uno de metal pesado o de metal flexible. Vea "Instrucciones de instalación".
- **¿Están las hojas del suavizante de telas bloqueando la rejilla?**
Use únicamente una hoja del suavizante de telas y úsela una sola vez.

⚠ ADVERTENCIA



Peligro de Explosión

Mantenga los materiales y vapores inflamables, como la gasolina, lejos de la secadora.

Coloque la secadora a un mínimo de 46 cm sobre el piso para la instalación en un garaje.

No seguir estas instrucciones puede ocasionar la muerte, explosión o incendio.

- **¿Tiene el ducto de escape el largo correcto?**
Revise el ducto de escape para verificar que no sea demasiado largo o no dé demasiadas vueltas. Una ventilación larga aumentará el tiempo de secado. Vea "Instrucciones de instalación".
- **¿Es el diámetro del ducto de escape del tamaño correcto?**
Use un material de ventilación de 4" (10,2 cm) de diámetro.
- **¿Está la secadora ubicada en una habitación cuya temperatura está debajo de 45°F (7°C)?**
El funcionamiento apropiado de los ciclos de la secadora requiere temperaturas superiores a 45°F (7°C).
- **¿Está la secadora ubicada en un armario?**
Las puertas del armario deben tener aberturas de ventilación en la parte superior e inferior de la puerta. La parte posterior de la secadora necesita un espacio libre de 5" (12,7 cm). Vea "Instrucciones de instalación".
- **¿Se ha seleccionado el modificador de sólo aire (Air Only)?**
Seleccione la temperatura correcta para el tipo de prendas que se estén secando. Vea "Modificadores".
- **¿Está la carga demasiado voluminosa y pesada para secarse con rapidez?**
Separe la carga de modo que pueda rotar libremente.
- **¿No están todas las cargas de los ciclos de secado automático tan secas como usted desearía?**
Puede cambiar los ajustes prefijados de Nivel de sequedad para aumentar la sequedad de todos los Ciclos de secado automático. Vea "Cambio de ciclos, modificadores y opciones".

El tiempo del ciclo es demasiado corto

⚠ ADVERTENCIA

Peligro de Peso Excesivo

Use dos o más personas para mover e instalar la secadora.

No seguir esta instrucción puede ocasionar una lesión en la espalda u otro tipo de lesiones.

- **¿Está terminando más rápido el ciclo de secado automático?**
Quizás la carga no está haciendo contacto con las bandas del detector. Nivele la secadora.

Cambie el ajuste del nivel de secado en ciclos de secado automático. Aumentar o disminuir el nivel de secado cambiará la cantidad de tiempo de secado en un ciclo.

No use un estante de secado con un ciclo de secado automático.

Pelusa en la ropa

- **¿Está obstruido el filtro de pelusa?**
Limpie el filtro de pelusa. Verifique si hay movimiento de aire.

Manchas en la carga o en el tambor

- **¿Se ha empleado adecuadamente el suavizante de telas?**
Agregue hojas de suavizante de telas al comienzo del ciclo. Las hojas del suavizante de telas que se agregan a una carga parcialmente seca pueden manchar las prendas.

Las manchas en el tambor están causadas por los tintes en las prendas (habitualmente los pantalones de mezclilla). Esto no se transferirá a otras prendas.

Ropa arrugada

- **¿Se ha sacado la ropa de la secadora al final del ciclo?**
- **¿Se ha sobrecargado la secadora?**
Seque cargas más pequeñas que puedan rotar con libertad.

Olores

- **¿Ha estado pintando, tiñendo o barnizando recientemente el área donde se encuentra la secadora?**
De ser así, ventile el área. Cuando los olores o humos se hayan esfumado del área, vuelva a lavar y secar la ropa.

CONTRATOS DE PROTECCIÓN

Contratos Maestros de Protección

¡Felicitaciones por su inteligente adquisición! Su nuevo producto Kenmore® ha sido diseñado y fabricado para brindarle años de funcionamiento confiable. Pero al igual que todos los productos, puede necesitar mantenimiento preventivo o reparación de vez en cuando. Es allí donde el Contrato Maestro de Protección puede ahorrarle dinero e inconvenientes.

Adquiera un Contrato Maestro de Protección hoy y protéjase contra molestias y gastos inesperados.

El Contrato Maestro de Protección también ayuda a prolongar la vida de su nuevo producto. He aquí lo que se incluye en el Contrato:

- ✓ **Servicio experto** por nuestros 12.000 especialistas en reparación competentes
- ✓ **Servicio ilimitado y gratuito** para repuestos y mano de obra en todas las reparaciones protegidas por el contrato
- ✓ **Garantía “sin disgustos”** - reemplazo de su producto protegido si ocurren cuatro o más fallas del producto en el transcurso de doce meses
- ✓ **Reemplazo del producto** si su producto protegido no puede ser reparado

- ✓ **Revisión Anual de Mantenimiento Preventivo** a solicitud suya - sin costo adicional
- ✓ **Ayuda rápida por teléfono** - asistencia por teléfono a cargo de un técnico de Sears para productos que deban ser reparados en su hogar, además de un horario de reparación conveniente
- ✓ **Protección de sobrevoltaje** contra daños eléctricos debido a fluctuaciones de electricidad
- ✓ **Reembolso de la renta** si la reparación de su producto protegido tarda más de lo prometido

Una vez adquirido el Contrato, tan sólo tiene que llamar para fijar la visita de servicio técnico. Usted puede llamar a cualquier hora, de día o de noche, o fijar una visita técnica en internet.

Sears cuenta con un equipo de más de 12.000 especialistas en reparación competentes, quienes tienen a disposición más de 4,5 millones de repuestos y accesorios de calidad. Ése es el tipo de profesionalismo con el que usted puede contar para ayudarlo a prolongar la vida de su nuevo artefacto por muchos años más. ¡Adquiera hoy su Contrato Maestro de Protección!

Se aplican algunas limitaciones y exclusiones. Para obtener precios e información adicional, llame al 1-800-827-6655.

Servicio de Instalación de Sears

Para la instalación profesional de Sears de artefactos electrodomésticos, abridores de puertas de garaje, calentadores de agua y otros artículos importantes de la casa, en los EE.UU. llame al **1-800-4-MY-HOME®**.

Get it fixed, at your home or ours!

Your Home

For repair – **in your home** – of **all** major brand appliances, lawn and garden equipment, or heating and cooling systems, **no matter who made it, no matter who sold it!**

For the replacement parts, accessories and owner's manuals that you need to do-it-yourself.

For Sears professional installation of home appliances and items like garage door openers and water heaters.

1-800-4-MY-HOME® (1-800-469-4663)

Call anytime, day or night (U.S.A. and Canada)

www.sears.com www.sears.ca

Our Home

For repair of carry-in items like vacuums, lawn equipment, and electronics, call or go on-line for the location of your nearest **Sears Parts & Repair Center.**

1-800-488-1222

Call anytime, day or night (U.S.A. only)

www.sears.com

To purchase a protection agreement (U.S.A.) or maintenance agreement (Canada) on a product serviced by Sears:

1-800-827-6655 (U.S.A.)

1-800-361-6665 (Canada)

Para pedir servicio de reparación a domicilio, y para ordenar piezas:

1-888-SU-HOGAR®

(1-888-784-6427)

Au Canada pour service en français:

1-800-LE-FOYER^{MC}

(1-800-533-6937)

www.sears.ca

