

# KitchenAid® 36" Island Range Hood

## PRODUCT MODEL NUMBERS

KICU565W

**Electrical:** A 120 Volt, 60 Hz., AC only, 15-amp, fused electrical circuit is required.

## VENTING METHODS

This island hood is factory set for venting through the roof or through the wall.

A 6" (15.2 cm) round vent system is needed for installation (not included). The hood exhaust opening is 6" (15.2 cm) round.

**NOTE:** Flexible vent is not recommended. Flexible vent creates back pressure and air turbulence that greatly reduce performance.

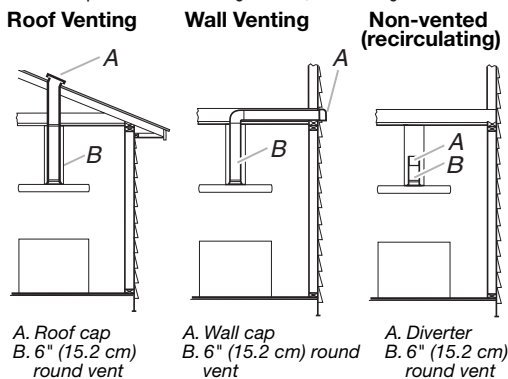
Vent system can terminate either through the roof or wall. To vent through a wall, a 90° elbow is needed.

### For Non-Vented (recirculating) Installations

If it is not possible to vent cooking fumes and vapors to the outside, the hood can be used in the non-vented (recirculating) version, using the optional Recirculating Kit. To order, see the "Assistance or Service" section.

Fumes and vapors are recycled through the top grille.

**NOTE:** Non-vented (recirculating) installation is not allowed over cooktops with BTU ratings of 60,000 or higher.



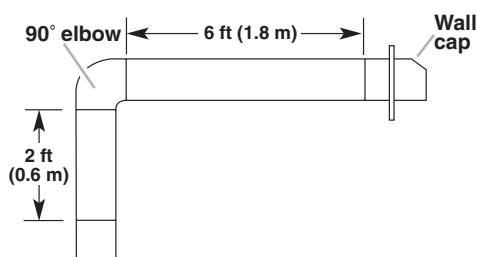
### Calculating Vent System Length

To calculate the length of the system you need, add the equivalent feet (meters) for each vent piece used in the system.

Vent Piece	6" (15.2 cm) Round
45° elbow	2.5 ft (0.8 m)
90° elbow	5.0 ft (1.5 m)

Maximum equivalent vent length is 35 ft (10.7 m).

### Example vent system



The following example falls within the maximum vent length of 35 ft (10.7 m).

1 - 90° elbow	= 5.0 ft (1.5 m)
1 - wall cap	= 0.0 ft (0.0 m)
8 ft (2.4 m) straight	= 8.0 ft (2.4 m)
<b>System length</b>	<b>= 13 ft (3.9 m)</b>

## LOCATION REQUIREMENTS

**IMPORTANT:** Observe all governing codes and ordinances.

Have a qualified technician install the range hood. It is the installer's responsibility to comply with installation clearances specified on the model/serial rating plate. The model/serial rating plate is located inside the range hood on the rear wall of the range hood.

Island hood location should be away from strong draft areas, such as windows, doors and strong heating vents.

Cabinet opening dimensions that are shown must be used. Given dimensions provide minimum clearance.

It is recommended that the hood be fastened into solid wood.

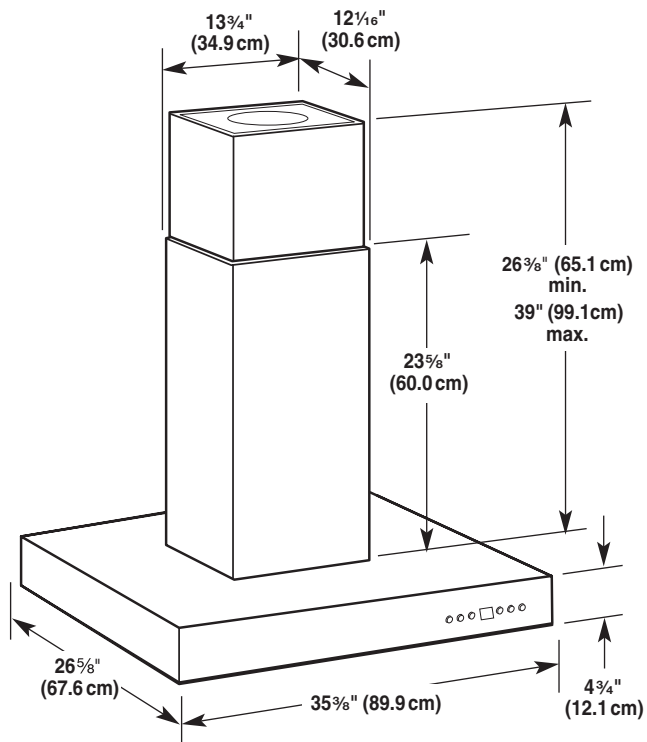
The island hood is factory set for venting through the roof or through the wall.

All openings in ceiling and where island hood will be installed must be sealed.

### For Mobile Home Installations

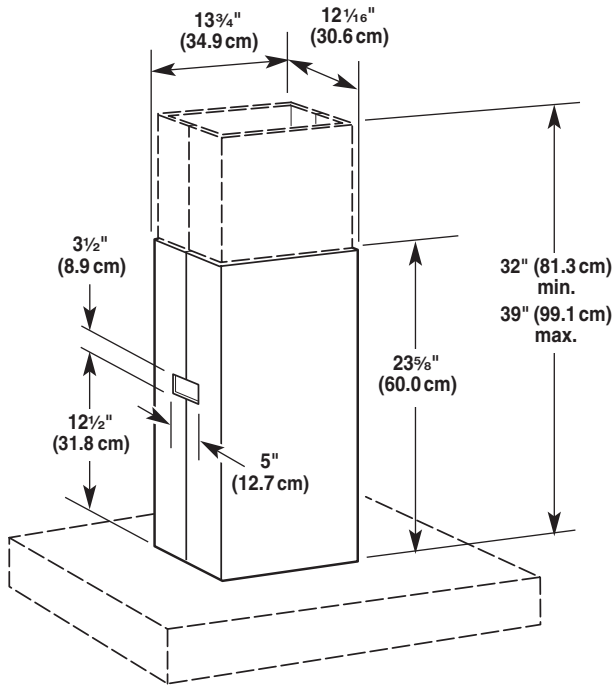
The installation of this range hood must conform to the Manufactured Home Construction Safety Standards, Title 24 CFR, Part 328 (formerly the Federal Standard for Mobile Home Construction and Safety, Title 24, HUD, Part 280) or when such standard is not applicable, the standard for Manufactured Home Installation 1982 (Manufactured Home Sites, Communities and Setups) ANSI A225.1/NFPA 501A\*, or latest edition, or with local codes.

## PRODUCT DIMENSIONS

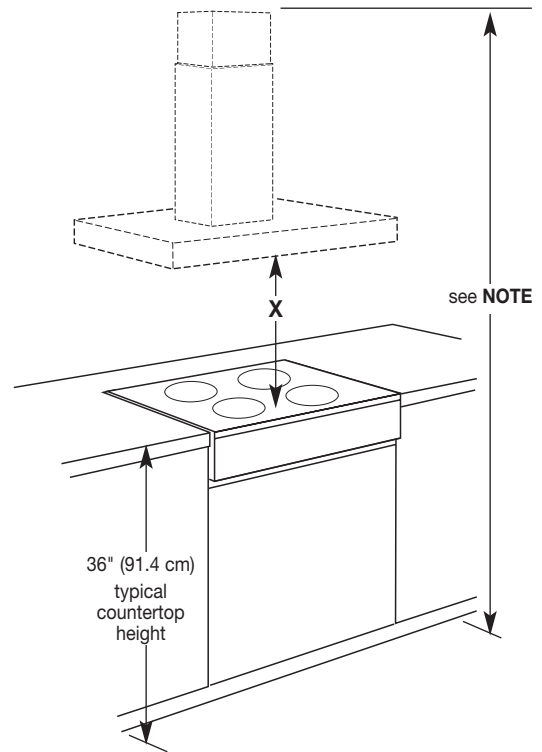


## RECIRCULATING CHIMNEY KIT DIMENSIONS

For recirculating installations, optional Recirculating Kit Part Number W10271502 must be used. This kit includes a new lower chimney cover, which replaces the lower chimney cover shipped with the island hood, a diverter with extensions, a duct extension, two grids for inserting into the lower chimney cover, and a charcoal filter.



## INSTALLATION CLEARANCES



**NOTE:** The hood chimneys are adjustable and designed to meet varying ceiling or soffit heights depending on the distance "X" between the bottom of the hood and the cooking surface. For higher ceilings an extension kit Part Number W10271504 is available, see your dealer. The chimney extension replaces the upper chimney shipped with the hood.

**IMPORTANT:**

Minimum distance "X": 30" (76.2 cm)

Suggested maximum distance "X": 36" (91.4 cm)

For vented installations, the chimneys can be adjusted for ceilings between 8' 1 1/8" (2.47 m) and 9' 7 3/4" (2.94 m). For recirculating installations, the chimneys can be adjusted for ceilings between 8' 6 3/4" (2.61 m) and 9' 7 3/4" (2.94 m).