

# ZDIS150Z

## GE Monogram® High-Production, Large Capacity Automatic Ice maker

### Dimensions and Installation Information (in inches)

#### Dimensions

H 34-1/2"

W 14-13/16"

D 23-5/16"

#### Note:

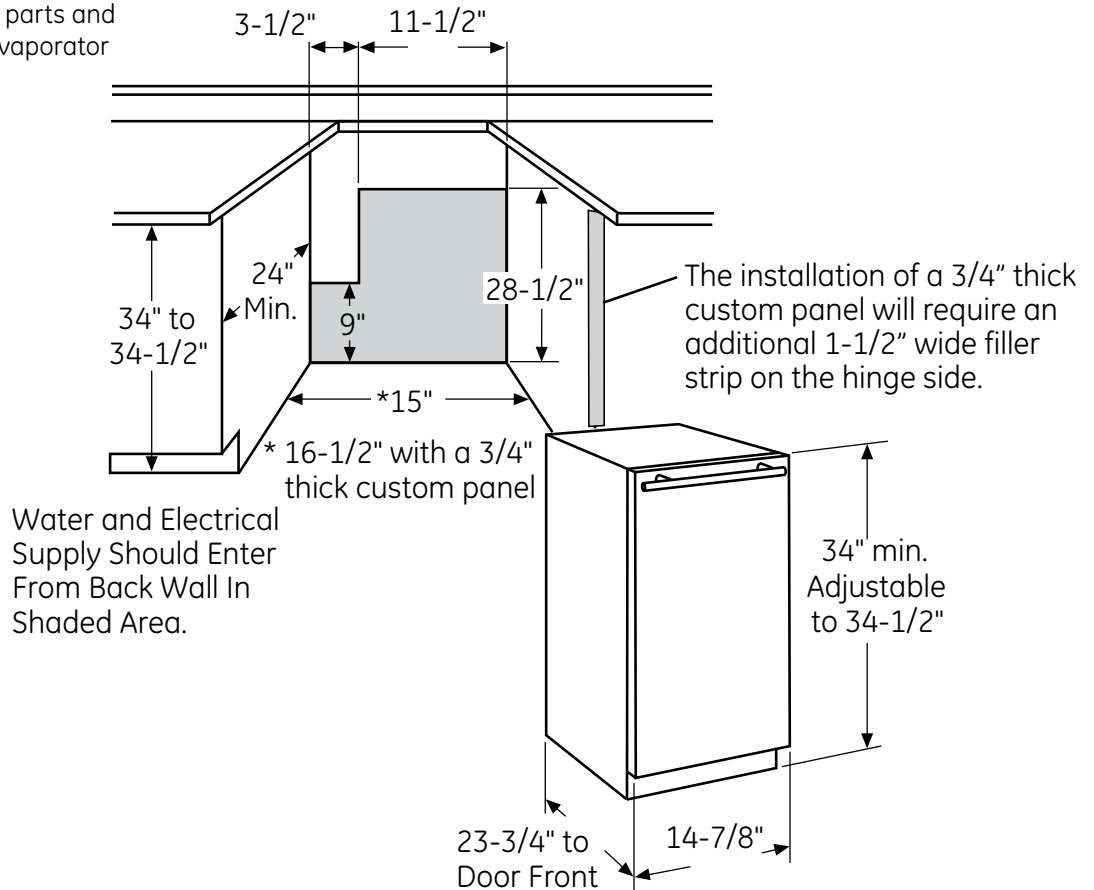
The finished cut-out is determined by the type of installation. Before installing, consult installation instructions packed with product for current dimensional data.

#### Warranty Information:

Limited one-year warranty, in-home service, parts and labor.\*

Limited five-year warranty, parts and labor on the compressor, evaporator and all connecting tubing.\*

\*See written warranty for complete details.



For answers to your Monogram®, GE Profile™ or GE® appliance questions, visit our website at [ge.com](http://ge.com) or call GE Answer Center® service, 800.626.2000.

#### Note:

The addition of a 3/4" thick front panel will result in a front to back depth of 24-1/16".



imagination at work



Listed by  
Underwriters  
Laboratories

Specification Created 8/13

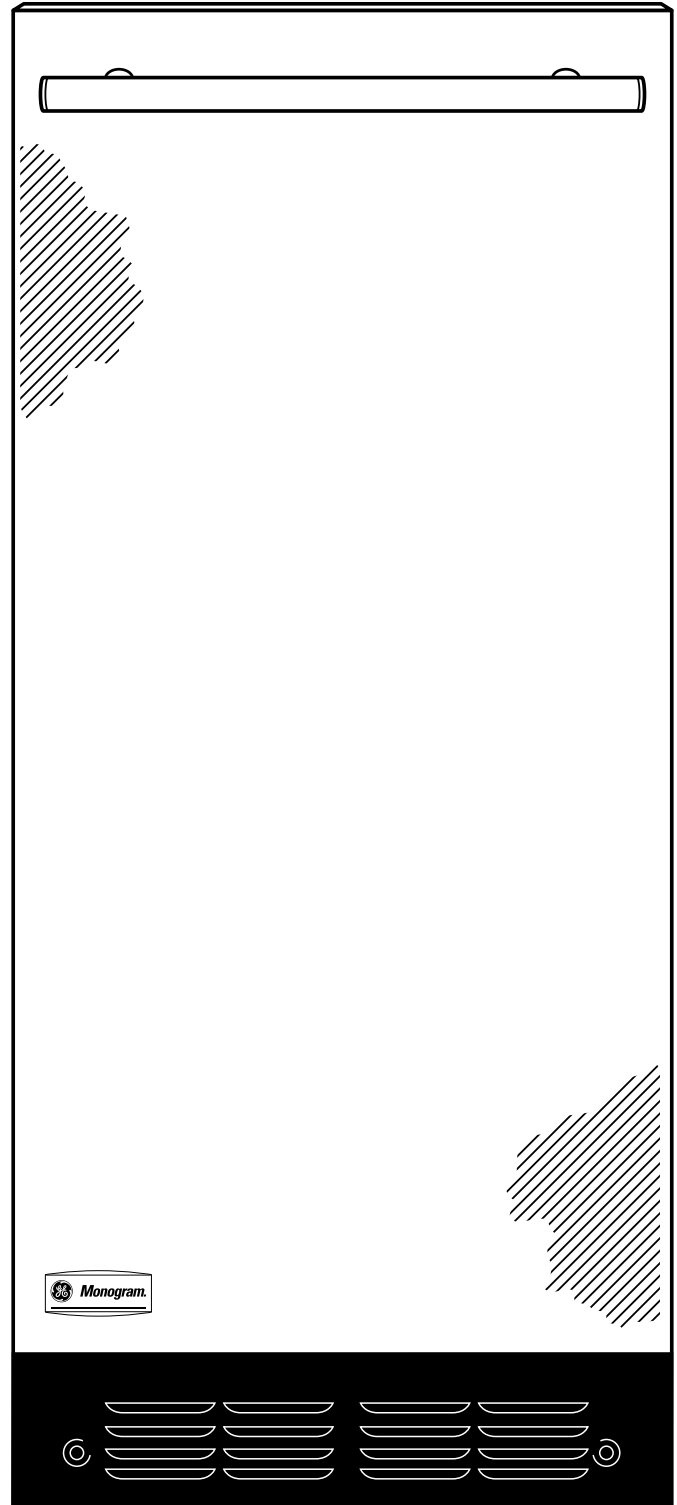
120045

# ZDIS150Z

## GE Monogram® High-Production, Large Capacity Automatic Ice maker

### Features and Benefits

- High production and large capacity - Make a Monogram icemaker a versatile addition to any entertainment setting. Produces up to 50 pounds of clear ice per day and automatically shut off when the 25-pound-capacity bin is full
- Interior LED lighting - Puts cubes in clear view
- Filter-change indicator light - Alerts you when it's time to replace the filter
- Ice scoop - Has a sturdy design that makes it easy to transfer ice cubes to glassware
- Reversible door hinges - Give you added installation and design flexibility
- Model ZDIS150ZSS - Stainless steel



imagination at work