



# FRIGIDAIRE

## Factory Parts Catalog

Product No.	FFWC4222QS0
Series	Frigidaire
Market	North America
Color	stainless/glass
Volts	120
Owner's Guide	242101901

### **Frigidaire**

P.O. BOX 8020  
CHARLOTTE, NC 28262

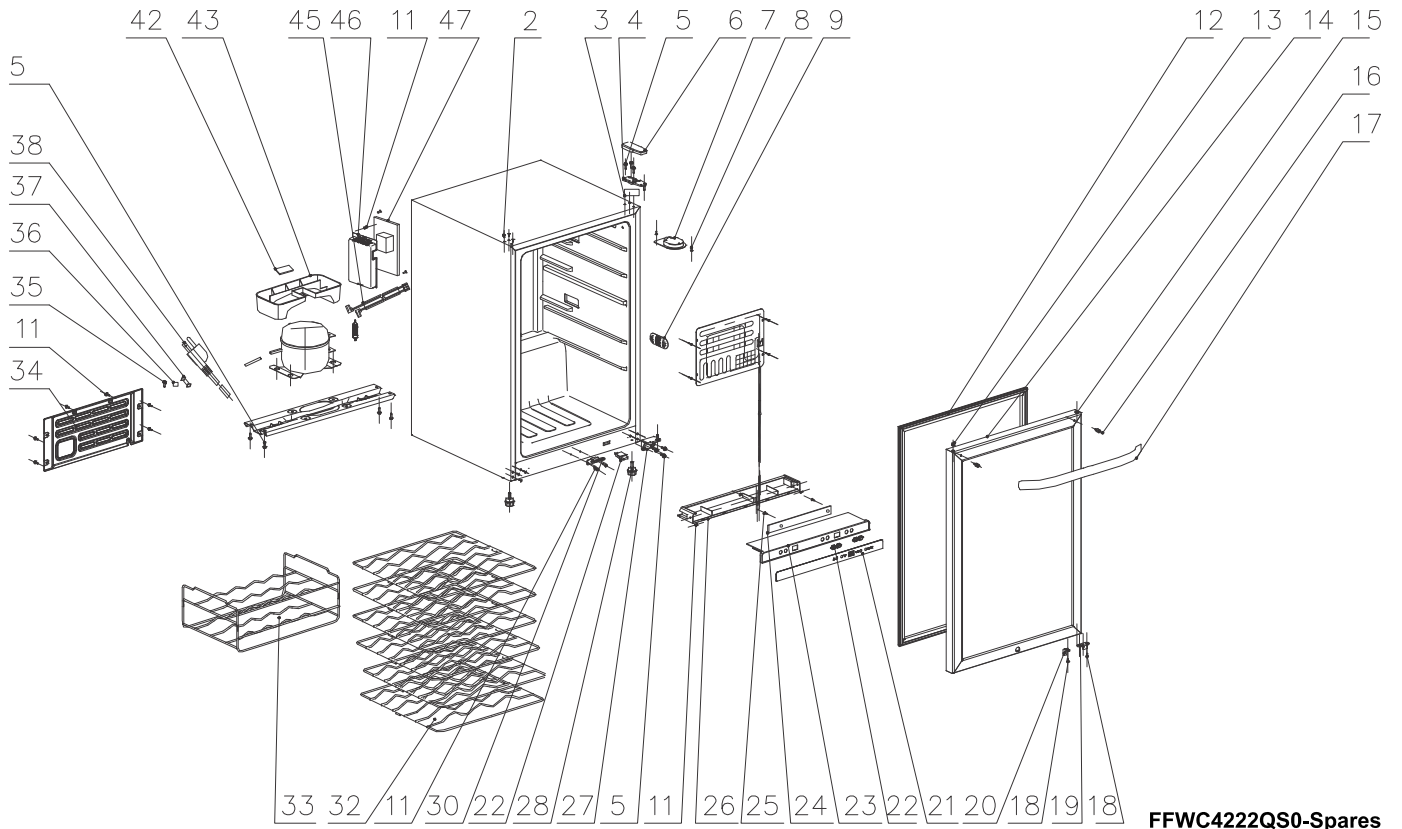
**This Publication Replaces  
Publication # 5995653762**

Publication No.  
**5995668794**  
15/10/06  
(EN/SERVICE/KC)  
099

### **WINE COOLER**

Model No.  
**FFWC4222Q**

**RECOMMENDED SPARES**



**FFWC4222QS0-Spares**

---

**RECOMMENDED SPARES**


---

POS. NO	PART NO.	DESCRIPTION
2	5304479779	Plug, hinge hole, cabinet
3	5304479780	Washer, top hinge
4	5304479781	Hinge, top
5	5304479802	Screw, tapping
6	5304479782	Cover, top hinge
7 #	5304479803	Lamp Assembly, LED
8	5304479804	Screw, tapping, stainless steel
9	5304479805	Cover, temp sensor
9* #	5304479971	Thermistor, temp sensor
11	5304479807	Screw, tapping, stainless steel
12 #	5304479808	Gasket, door
13	5304479809	Plug, door hole
14	5304479810	Door Assembly, glass
15	5304479789	Bushing, hinge
16	5304479811	Screw, shoulder, door handle
17	5304479812	Handle Assembly, door
18	5304479813	Screw, tapping, door
19	5304479790	Stop, door
20	5304479791	Bracket, door switch
21	5304479814	Control Panel, console
22	5304479936	Push Button
23	5304479815	Overlay, control board, cover
24 #	5304479832	PC Board, input, display
25	5304479817	Screw, tapping, (2)
26	5304479818	Base, display board
27	5304479792	Hinge, bottom
28	5304479819	Foot, leveling screw, cabinet
29 #	5304479794	Switch, lamp/light
30	5304479795	Latch, door
32	5304485425	Shelf, wire, fixed
33	5304485426	Rack, wire, bottom, removable
34	5304479822	Cover, access, rear
35	5304480022	Screw, tapping
36	5304479823	Clamp, strain relief, power cord
37	5304479838	Sleeve, power cord
38 #	5304479824	Power Cord, electric
42	5304479828	Pad, thermal mastic
43	5304479799	Tray, drip pan
45 #	5304479834	Wiring Harness, electrical
46	5304479835	Cover, control box
47 #	5304479836	PC Board, power, main

**WIRING DIAGRAM**

---

