

# FRIGIDAIRE

## Factory Parts Catalog



Product No.	LFWC38F6LS
Series	Frigidaire
Market	North America
Color	glass/steel
Volts	115
Owner's Guide	242101900

### **Frigidaire**

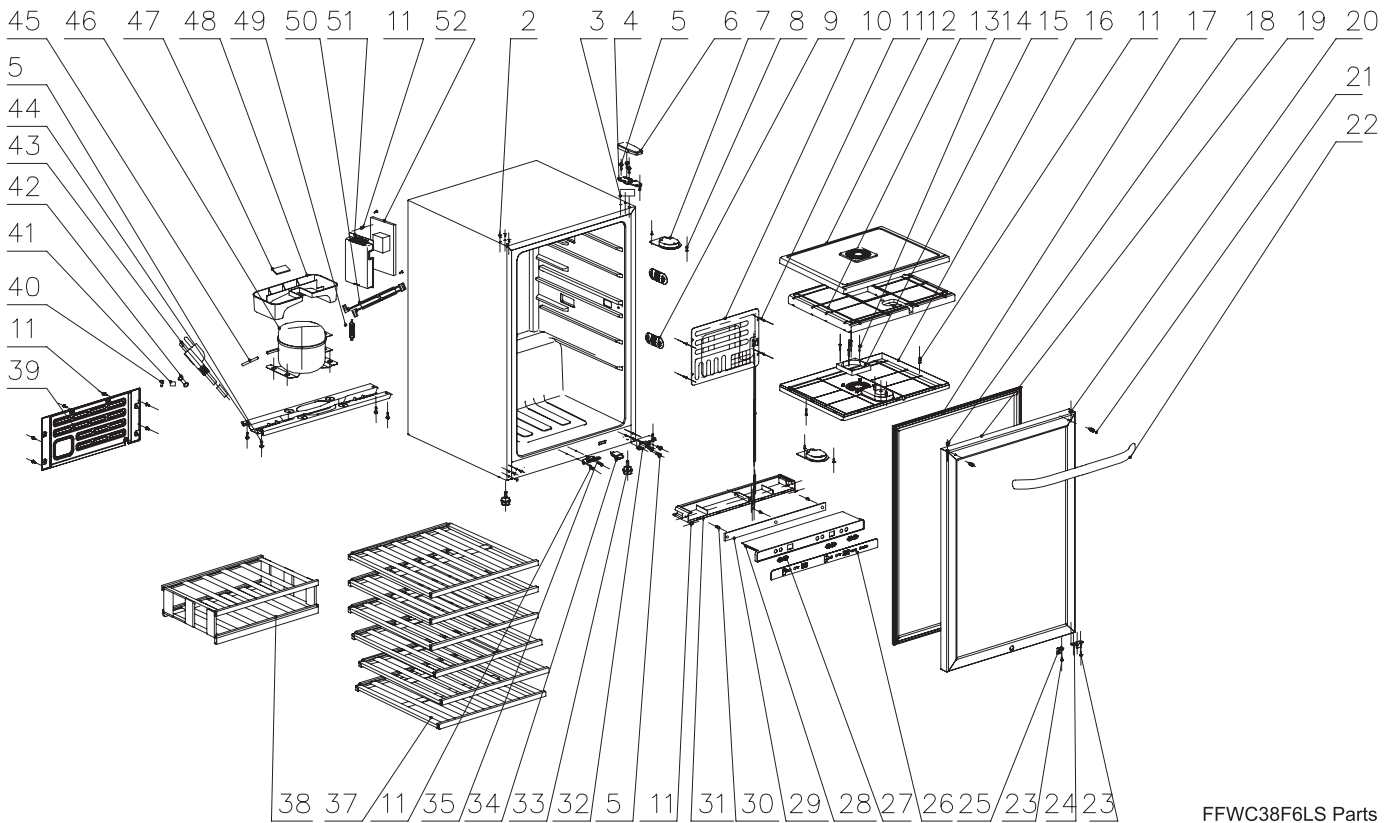
P.O. BOX 8020  
CHARLOTTE, NC 28262

### **WINE COOLER**

Model No.  
LFWC38F6L

Publication No.  
**5995573366**  
10/09/10  
(EN/SERVICE/KC)  
099

**RECOMMENDED SPARES**



FFWC38F6LS Parts

## RECOMMENDED SPARES

---

POS. NO	PART NO.	DESCRIPTION
2	5304479779	Plug, hinge hole, cabinet
3	5304479780	Washer, top hinge
4	5304479781	Hinge, top
5	5304480019	Screw, tapping
6	5304479782	Cover, top hinge
7 #	5304479803	Lamp Assembly, LED
8	5304479804	Screw, tapping, stainless steel
9	5304479805	Cover, temp sensor
9* #	5304479971	Thermistor, temp sensor
10 #	5304479806	Evaporator
11	5304479807	Screw, tapping, stainless steel
12	5304479874	Panel, divider, top
13	5304479875	Divider, styrofoam
14	5304480020	Screw, tapping
15 #	5304479935	Fan
16	5304479876	Panel, divider, bottom
17 #	5304479808	Gasket, door
18	5304479809	Plug, door hole
19	5304479810	Door Assembly, glass
20	5304479789	Bushing, hinge
21	5304479811	Screw, shoulder, door handle
22	5304479812	Handle Assembly, door
23	5304479813	Screw, tapping, door
24	5304479790	Stop, door
25	5304479791	Bracket, door switch
26	5304479814	Control Panel, console
27	5304479936	Push Button
28	5304479815	Overlay, control board, cover
29 #	5304479816	PC Board, input, display
30	5304479817	Screw, tapping
31	5304479818	Base, display board
32	5304479792	Hinge, bottom
33	5304479819	Foot, leveling screw, cabinet
34 #	5304479794	Switch, lamp/light
35	5304479795	Latch, door
37	5304479820	Shelf, wine, wood
38	5304479821	Rack, removeable, bottom
39	5304479822	Cover, access, rear
40	5304480022	Screw, tapping
41	5304479823	Clamp, strain relief, power cord
42	5304479838	Sleeve, power cord
43 #	5304479824	Power Cord, electric
44	5304479825	Base, compressor
45 #	5304479826	Tube, adapter
46 #	5304479827	Compressor
47	5304479828	Pad, thermal mastic
48	5304479799	Tray, drip pan
49 #	218944002	Drier-filter, R134a System
50 #	5304479834	Wiring Harness, electrical
51	5304479835	Cover, control box
52 #	5304479836	PC Board, power, main

**WIRING DIAGRAM**

