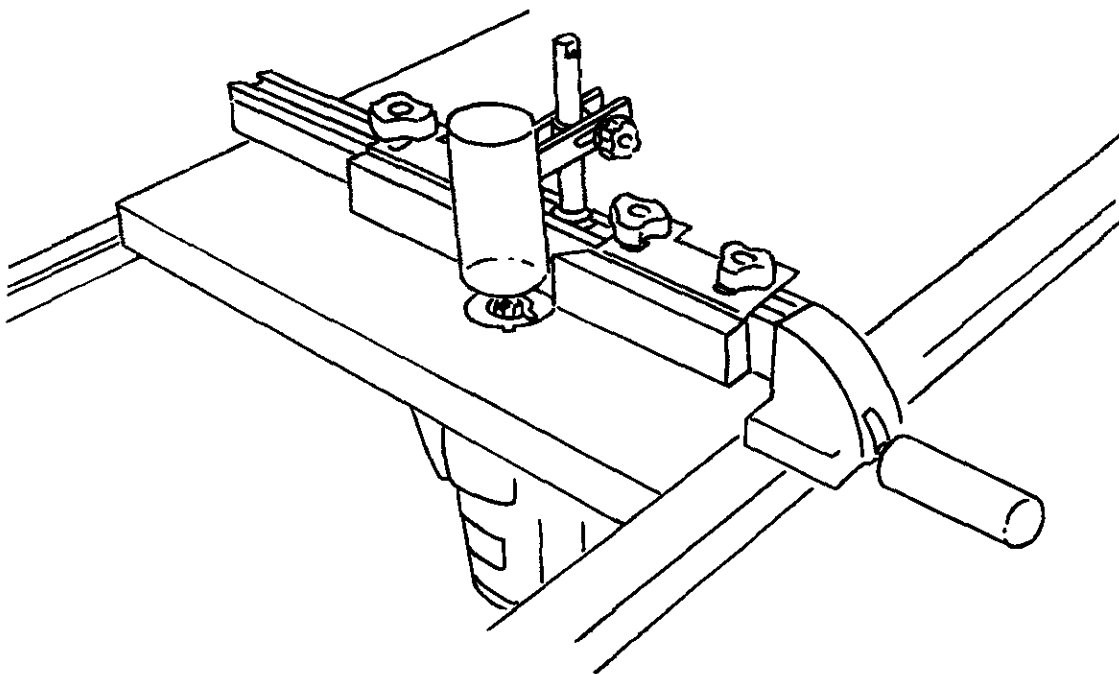


Operator's Manual

CRAFTSMAN

ROUTER MOUNTING KIT FOR MODEL NO. 315.228390 TABLE SAW



Save this manual for
future reference.

⚠ CAUTION: Read and follow all
Safety Rules and Operating
Instructions before first use of this
product.

Customer Help Line: 1-800-932-3188

Sears, Roebuck and Co., 3333 Beverly Rd., Hoffman Estates, IL 60179 USA
Visit the Craftsman web page: www.sears.com/craftsman

- SAFETY
- UNPACKING
- ASSEMBLY
- PARTS LIST



RULES FOR SAFE OPERATION

The purpose of safety symbols is to attract your attention to possible dangers. The safety symbols, and the explanations with them, deserve your careful attention and understanding. The safety warnings do not by themselves eliminate any danger. The instructions or warnings they give are not substitutes for proper accident prevention measures.

SYMBOL MEANING



SAFETY ALERT SYMBOL:

Indicates warning or caution. May be used in conjunction with other symbols or pictographs.



WARNING: Failure to obey a safety warning can result in serious injury to yourself or to others. Always follow the safety precautions to reduce the risk of fire, electric shock and personal injury.



CAUTION: Failure to obey a safety warning may result in property damage or personal injury to yourself or to others. Always follow the safety precautions to reduce the risk of fire, electric shock and personal injury.

NOTE: Advises you of information or instructions vital to the operation or maintenance of the equipment.



WARNING: Do not attempt to operate this tool until you have read thoroughly and understand completely all instructions, safety rules, etc. contained in this manual. Failure to comply can result in accidents involving fire, electric shock, or serious personal injury. Save owner's manual and review frequently for continuing safe operation, and instructing others who may use this tool.

READ ALL INSTRUCTIONS

- **READ THESE INSTRUCTIONS AND INSTRUCTIONS FOR YOUR TABLE SAW AND ROUTER THOROUGHLY BEFORE USING ACCESSORY.**
- **KNOW YOUR POWER TOOL.** Read the operator's manual for your Table Saw carefully. Learn the saw's applications and limitations as well as the specific potential hazards related to this tool.
- **KEEP THE WORK AREA CLEAN.** Cluttered work areas and work benches invite accidents. DO NOT leave tools or pieces of wood on the saw while it is in operation.
- **ALWAYS WEAR SAFETY GLASSES.** Everyday glasses have only impact-resistant lenses; they are NOT safety glasses.
- **ALWAYS DISCONNECT SAW FROM POWER SUPPLY BEFORE MAKING ADJUSTMENTS OR ADDING ACCESSORIES.** Make sure the switch is off when reconnecting to power supply.



WARNING:



The operation of any router can result in foreign objects being thrown into your eyes, which can result in severe eye damage. Before beginning power tool operation, always wear safety goggles or safety glasses with side shields and a full face shield when needed. We recommend Wide Vision Safety Mask for use over eyeglasses or standard safety glasses with side shields, available at Sears Retail Stores. Always wear eye protection which is marked to comply with ANSI Z87.1

- **ALWAYS FEED WORKPIECE AGAINST THE ROTATION OF THE CUTTER.**
- **DO NOT USE AWKWARD HAND POSITIONS.**
- **KEEP FINGERS AWAY** from the revolving cutter, and use fixtures when necessary.
- **ALWAYS USE THE DUST COVER** for overhead guarding.
- **DO NOT REMOVE JAMMED CUTOFF PIECES** until cutter or blade has stopped and tool has been disconnected from power source.
- **HOLD THE WORKPIECE FIRMLY AGAINST THE TABLE.**
- **ALWAYS USE THE SAW'S MASTER SWITCH TO TURN THE ROUTER ON AND OFF.**
- **SAVE THESE INSTRUCTIONS.** Refer to them frequently and use to instruct other users. If you loan someone this accessory, loan them these instructions also.



WARNING: Use recommended accessories. The use of improper accessories may create a risk of injury. Do not use this router mounting kit for any purpose other than as an accessory to the recommended table saw. Failure to heed this warning can result in serious personal injury or damage to the accessory.



WARNING: Before attempting to use your router mounting kit, familiarize yourself with all operating features and safety requirements.

UNPACKING

ROUTER MOUNTING KIT

Read these instructions completely before mounting your router to the accessory table of your Craftsman table saw.

A router mounted on the accessory table will provide expanded capabilities for making rabbets, grooves, chamfers, dovetails, and mortise and tenon joints. This router mounting kit will accommodate most Craftsman and Ryobi routers.

If used and stored properly, the router mounting kit will give you years of dependable, trouble-free performance.

UNPACKING THE ROUTER MOUNTING KIT

Included in the router mounting kit are two mounting plates, two guide fences with guide blocks, a guard/dust cover assembly, five throat plates, plus necessary brackets and hardware required to mount router to the accessory table of your Craftsman table saw.

Separate all the parts and check the parts against the parts list. See Figure 1.

During assembly and installation, you will need a phillips screwdriver, flathead screwdriver, and an adjustable wrench.

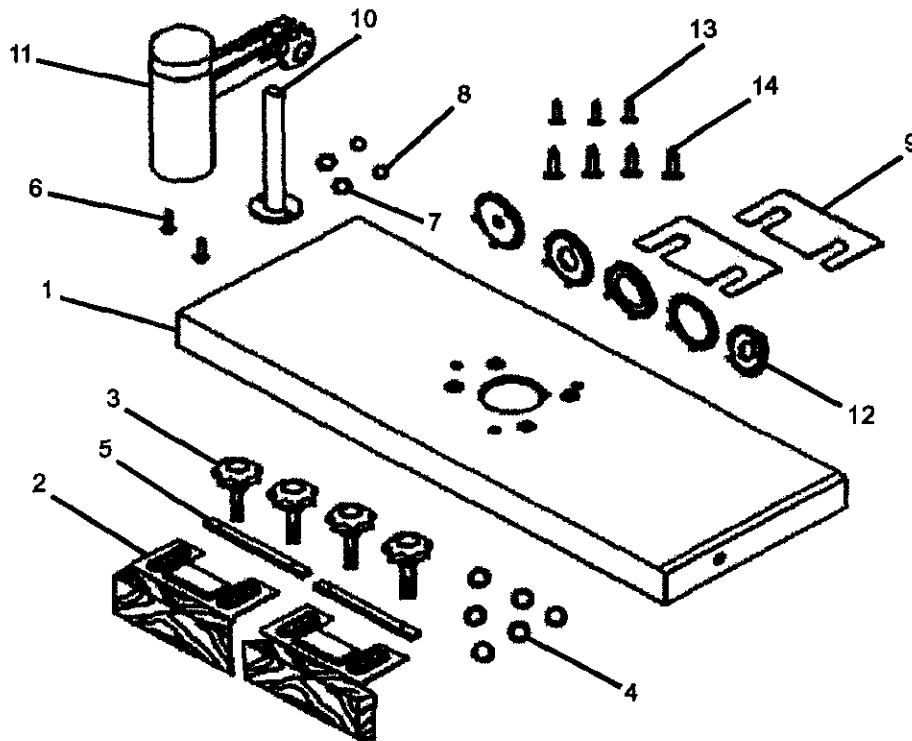


Fig. 1

LOOSE PARTS

Check the parts with the list. If any of the parts are missing, delay the assembly until you have obtained the missing part.

Key Description	Quantity	Key Description	Quantity
1. Router Extension Table	1	8. Lock Washer.....	2
2. Guide Fence with Guide Block.....	2	9. Shims	2
3. Knob Bolt (1/4-20)	4	10. Post	1
4. Flat Washer (1/4 in. x 16)	6	11. Guard/Dust Cover with Pivot Assembly.....	1
5. Tapped Mounting Bar	2	12. Throat Plates	5
6. Square Head Bolt (1/4 x 3/4 in.).....	2	13. Screw (#10-32 x 3/4 in. flat hd.)	3
7. Hex Nut (1/4-20).....	2	14. Screw (5/16-18 x 1 in. flat hd.)	4

⚠ Look for this symbol to point out important safety precautions. It means attention!!! Your safety is involved.

ASSEMBLY

INSTALL ROUTER EXTENSION

- Unplug the saw.

⚠ WARNING: Unplug the power supply cord of the saw before mounting this kit. Failure to unplug your saw could result in accidental starting causing possible serious personal injury.

⚠ WARNING: The saw's motor cord must be disconnected from the receptacle on saw when using this kit. The power cord of the router must be plugged into the receptacle on the saw. The saw's master switch must be used to turn the router On and Off. Failure to do so could result in serious personal injury.

Note: The router extension included in this kit replaces the left table extension that came with your Craftsman table saw. If you are assembling your saw for the first time and wish to mount your router kit at this time, follow the assembly instructions that came with your saw, substituting the router extension for the left extension wing. Once the router extension is attached to the saw, turn the heading labelled "Install Guard/Dust Cover" on page 5 of this manual and follow the remainder of the assembly instructions.

If you are mounting this router kit to a Craftsman table saw that is already assembled, proceed as follows.

- Remove front and rear rails by loosening the four 5/16-18 hex nuts holding the left table extension to the rails, as well as the two 5/16-18 hex nuts securing the left side of the main table to the rails. The nuts are located on the underside of the table. Slide left sections of both front and rear rails off. See Figure 2.

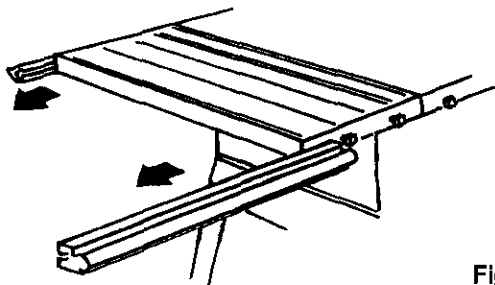


Fig. 2

- With the assistance of another person, remove the four hex nuts, washers and bolts holding the table extension to the main table and remove table extension.

- With the assistance of another person, position router extension so that the four holes along the edge line up with the four holes in the main table. Feed a 5/16-18 x 1-1/4 in. bolt through each hole as shown in Figure 3 and attach washers. Using an adjustable wrench, tighten the 5/16-18 nuts securing the router extension to the main table.

⚠ WARNING: The extensions are very heavy. Do not attempt to remove or assemble extensions without the help of another person. When lifting the extensions or maneuvering saw, always keep your knees bent and lift with your legs, not your back. Ignoring these precautions can result in back injury.

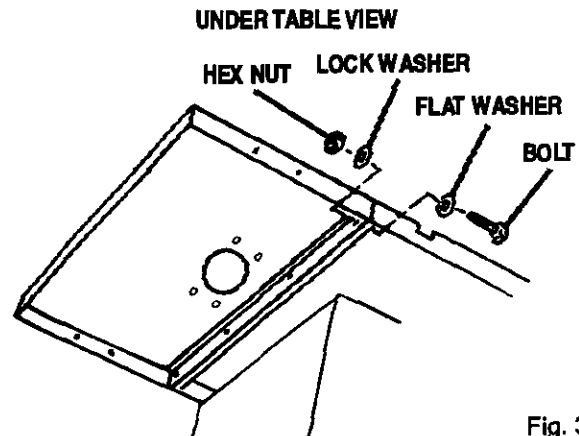


Fig. 3

- The front and rear rails have slotted tracks designed to accept the bolt heads you loosened in order to slide the rails off. Starting at the far left side, carefully feed the front rail toward the middle, making sure that the bolt heads are fully engaged in the track. Repeat with rear rail.

Note: There are two slotted tracks on the front rail. The top track is designed to accept the bolt heads. See Figure 4.

- Using an adjustable wrench, tighten each of the six hex nuts securing the rails to the router extension and main table.

ASSEMBLY

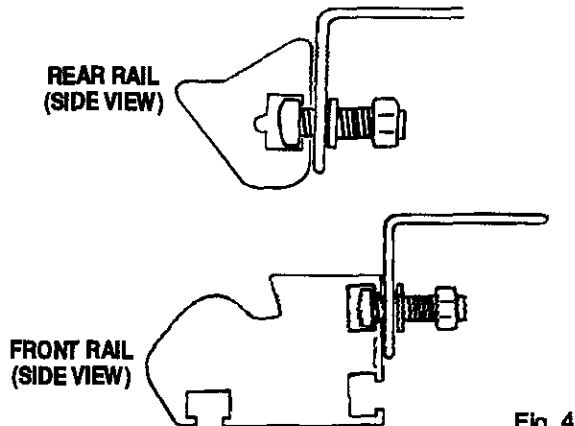


Fig. 4

GUIDE FENCE ASSEMBLY

- Lift the blade guard and place the rip fence against the saw blade and lock the rip fence in place. This will insure that the rip fence remains square while installing the mounting bars.
- Slide mounting bars into front track on rip fence and move them to the center of the fence.
- Position shims so that the rear edges are flush with the rear edge of the fence and the slots line up with the two holes in each mounting bar.
- Position the two guide block assemblies so that the rear edges are flush with the rear edge of the fence and the two slots line up with the slots in the shims.
- Assemble 1/4 in. flat washers onto each knob bolt and screw knob bolts into holes on mounting bars as shown in Figure 5.

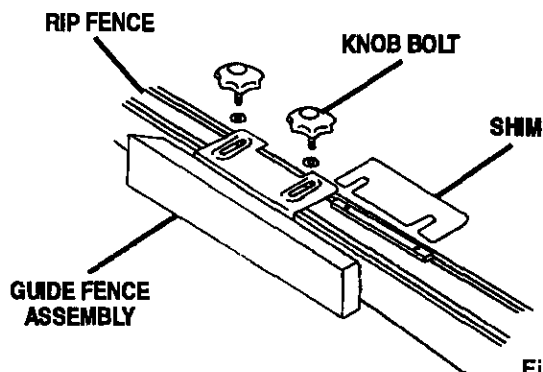


Fig. 5

INSTALL GUARD/DUST COVER

- Slide the head of one of the 1/4 x 3/4 in. bolts into the rear track on the guide fence and the other into the front track.
- Feed bolts through holes in post. Place a 1/4 in. flat washer and lock washer on each bolt and secure with 1/4 in. hex nuts using an adjustable wrench. See Figure 6.

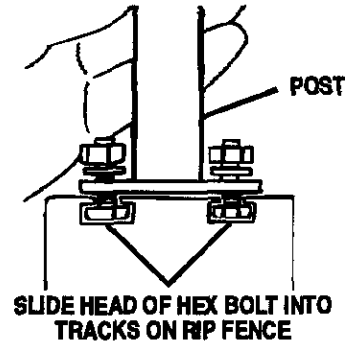


Fig. 6

- Loosen the knob on the guard/dust cover by turning the knob counterclockwise. Loosen the knob enough so that the post slips easily through the hole in the rear of the guard/dust cover.
- Position guard/dust cover so that it is over the throat of the router table and approximately 3-1/4 in. from the table surface. See Figure 7.
- Secure guard/dust cover by turning the tension knob clockwise. Do not overtighten.

Note: The top opening of the Guard/Dust Cover functions as an auxiliary dust port and will fit dust collection devices with a 2 in. diameter hose.

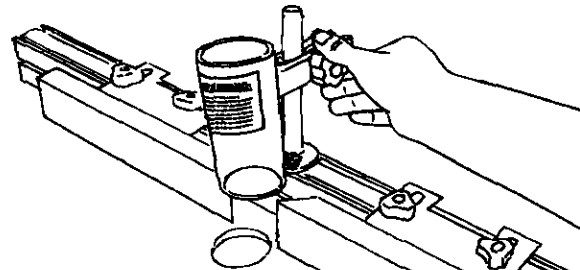


Fig. 7

INSTALL ROUTER

- Unplug the router.
- ▲ **WARNING:** Unplug the router to avoid possible injury.
- Place your router upside down on a workbench.
- Remove the subbase screws and the subbase from your router. **Note:** The subbase is mounted permanently on some routers and should not be removed.
- Select the screws needed for your particular router. For consumer routers, use the 1/4-20 screws. For commercial routers, use the 5/16-18 screws.
- Position router upside down under the router extension table. The router label should be facing the front of the table.

ASSEMBLY

- Align the holes in the table with the holes in your router. Feed the screws through the table and into the router. *See Figure 8.*
- Tighten all screws with a flathead screwdriver.

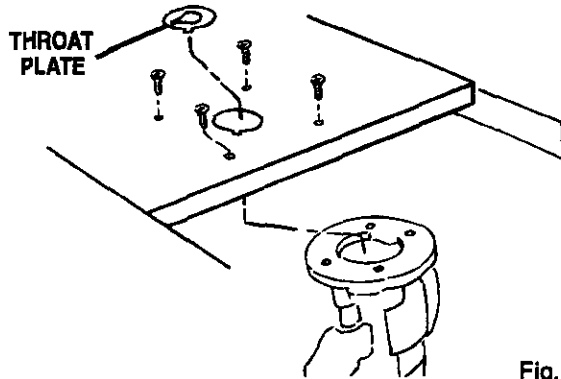


Fig. 8

INSTALL BIT AND THROAT PLATE

- To install the router bit, follow the instructions in the operator's manual that came with your router.

CAUTION: Make sure the router bit will not strike the accessory or any metal surface.

- Select the correct size throat plate for the size of the router bit. Align the tab on the throat plate with the slot in the router extension and snap in place. Make sure the throat plate is firmly seated below the table surface. Recheck the router bit to make sure it will not strike the throat plate.

WARNING: The router throat plates are included to assure no more than 1/4 in. clearance between the cutter and the opening in the throat plate. Use the correct throat plate. Do not use a router bit smaller than 1/4 in. or larger than 2 in.

RELOCATE ON/OFF SWITCH

When using the router extension, it is recommended that you move the switchbox to the left side of the table. To do this:

- Remove the left and right endcaps on the front rail using a phillips screwdriver.
- Loosen the hex nut securing the switchbox to the front rail and slide switchbox off rail.

- Reposition switchbox to a convenient location on the left side of the front rail by sliding the square head of the bolt into the lower track. Tighten hex nut with an adjustable wrench.
- Replace rail endcaps using a phillips screwdriver.

FINAL PREPARATION FOR OPERATION

- Adjust the guard/dust cover so that it will not come in contact with the workpiece or cutter during a cutting operation.
- Direction of feed of the workpiece is from right to left or from the front of the saw toward the back with the bit located in the fence opening. *See Figure 9.*

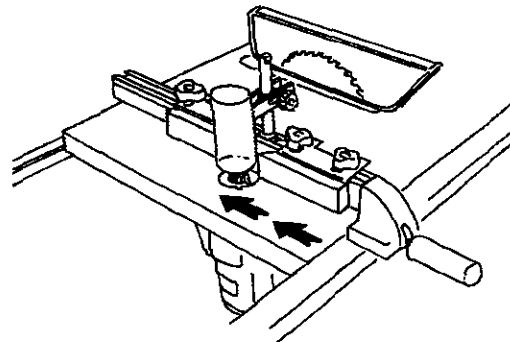


Fig. 9

- Direction of feed must always be so that the workpiece is being thrust against the sharp edges of the rotating bit.
- The workpiece must always be tight against the guide fence, unless a ball-bearing piloted bit is being used. The infeed fence should be adjusted to support the uncut workpiece while the outfeed fence should be adjusted properly to support the workpiece after the cut passes the router bit, compensating for the removed stock.

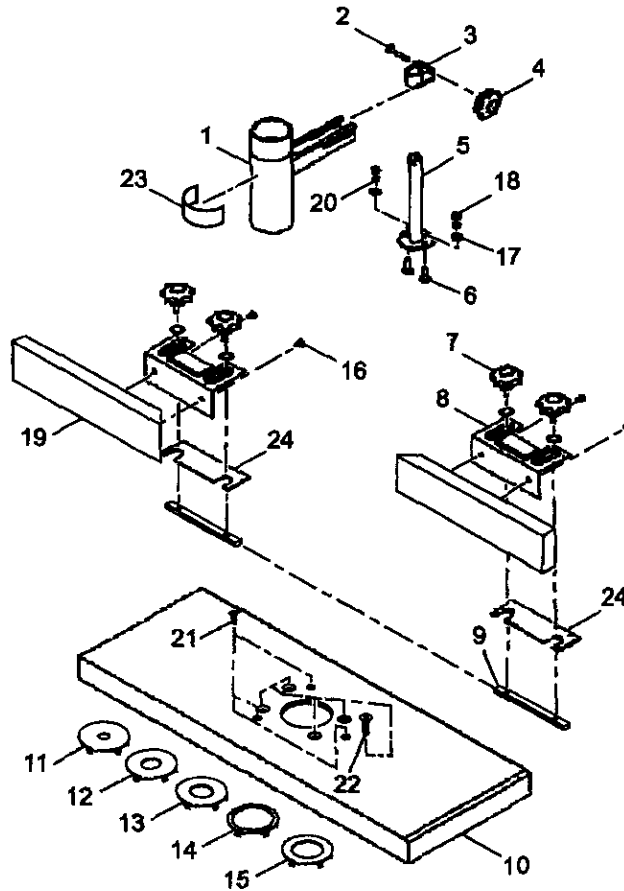
WARNING: The direction of the feed for the workpiece is always against the sharp edges of the bit and into the rotation of the cutter. Failure to heed this warning is likely to result in serious personal injury.

WARNING: Do not use the guide fence with ball-bearing piloted bits. Failure to heed this warning may result in serious personal injury.

WARNING: The guard/dust cover must be used in all routing operations.

CRAFTSMAN ROUTER KIT

Always mention the accessory item number in all correspondence regarding your router kit accessory or when ordering repair parts.



PARTS LIST

Key Part	Key Part
No. Number Description	No. Number Description
Quan.	Quan.
1. 11108015 Dust cover	14. 975424-004 Throat plate (1-1/2 in.)
2. 621433-017 *Carriage bot (1/4-20 x 1-9/16 in.)	15. 975424-005 Throat plate (2 in.)
3. 11108017 Dust cover pivot	16. 969969-001 *Wood screw (#10 x 5/8 in.)
4. 661816-001 Knob nut (1/4 in.)	17. STD551025 **Washer (1/4 in.)
5. 11108019 Post	18. STD541025 **Nut (1/4-20)
6. 11108022 *Screw (1/4-20 x 3/4 in.)	19. 11108023 Wood fence (12 in. x 2-1/2 x 1)
7. 11108024 Knob bolt (1/4-20)	20. STD551125 **Lock washer
8. 969965-002 Guide fence	21. 11108025 *Screw (#10-32 x 3/4 in.)
9. 11108020 Tapped mounting bar	22. S0040307 *Screw (5/16-18 x 1 in.)
10. 11108008 Extension wing	23. J1110022 Warning label
11. 975424-002 Throat plate (1/2 in.)	24. 11108027 Shims
12. 975424-003 Throat plate (1 in.)	25. 972000-944 Operator's manual (not shown)
13. 975424-006 Throat plate (1-1/8 in.)	

* Standard Hardware Item - May be Purchased Locally

** Available From Div. 98 - Source 980.00

Get it fixed, at your home or ours!

For repair of major brand appliances **in your own home...**
no matter who made it, no matter who sold it!

1-800-4-MY-HOMESM Anytime, day or night
(1-800-469-4663)

www.sears.com

To bring in products such as vacuums, lawn equipment and electronics
for repair, call for the location of your nearest **Sears Parts & Repair Center.**

1-800-488-1222 Anytime, day or night

www.sears.com

For the replacement parts, accessories and owner's manuals
that you need to do-it-yourself, call **Sears PartsDirectSM!**

1-800-366-PART 6 a.m. – 11 p.m. CST,
(1-800-366-7278) 7 days a week

www.sears.com/partsdirect

To purchase or inquire about a Sears Service Agreement:

1-800-827-6655

7 a.m. – 5 p.m. CST, Mon. – Sat.

Para pedir servicio de reparación a domicilio,
y para ordenar piezas con entrega a domicilio:

1-888-SU-HOGARSM
(1-888-784-6427)

Au Canada pour service en français:

1-877-LE-FOYERSM
(1-877-533-6937)

SEARS
HomeCentralTM