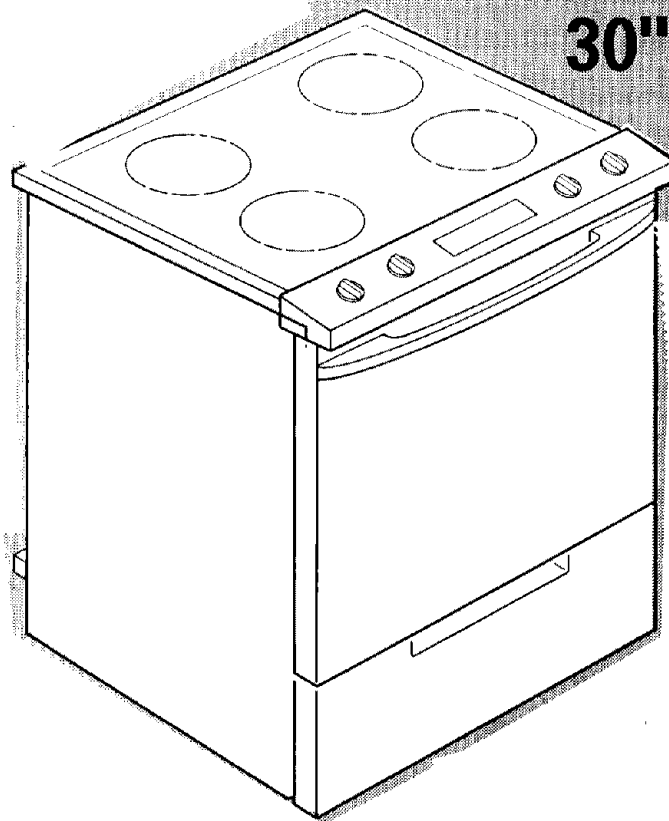


# Installation Instructions



## 30" Slide-In Electric Range

### ⚠ WARNING



#### Tip Over Hazard

A child or adult can tip the range and be killed. Connect anti-tip bracket to rear range foot.

Reconnect the anti-tip bracket, if the range is moved.

Failure to follow these instructions can result in death or serious burns to children and adults.

## Quick Reference

### Table of Contents:

#### Panels

- A** Before you start
- A** Product dimensions
- A** Cabinet dimensions/requirements
- A** Countertop preparation
- B** Electrical requirements
- B C** Installation steps

- Back cover** If range does not operate
- Back cover** If you need assistance/service
- Back cover** Moving the range

### If you need assistance:

Check your Use and Care Guide for a toll-free number to call or call the dealer from whom you purchased this appliance. The dealer is listed in the Yellow Pages of your phone directory under "Appliances — Household — Major — Service and Repair."

Call when you:

- Have questions about range installation or operation.
- Need to obtain the name and number of an authorized service company.

When you call, you will need:

- The range model number.
- The range serial number.

5-98

Both numbers are listed on the model/serial rating plate located on the oven frame behind the storage drawer panel.

## IMPORTANT:

## Read and save these instructions.

## IMPORTANT:

**Installer:** Leave Installation Instructions with the homeowner.


**Homeowner:** Keep Installation Instructions for future reference.

**Save** Installation Instructions for local electrical inspector's use.

## Before you start...

### Your safety and the safety of others is very important.

We have provided many important safety messages in this manual and on your appliance. Always read and obey all safety messages.

 This is the safety alert symbol. This symbol alerts you to hazards that can kill or hurt you and others. All safety messages will be preceded by the safety alert symbol and the word "DANGER" or "WARNING". These words mean:

### DANGER

You **will** be killed or seriously injured if you don't follow instructions.

### WARNING

You **can** be killed or seriously injured if you don't follow instructions.

All safety messages will identify the hazard, tell you how to reduce the chance of injury, and tell you what can happen if the instructions are not followed.

**Important: Observe all governing codes and ordinances. Failure to meet codes and ordinances could lead to fire or electrical shock.**

**Proper installation** is your responsibility. A qualified technician must install this range. Make sure you have everything necessary for correct installation. It is the installer's responsibility to comply with installation clearances specified on the model/serial rating plate. The model/serial rating plate is located on the oven frame behind the storage drawer panel.

**Check location** where range will be installed. The range should be located for convenient use in kitchen.

When installing a range under existing cabinets and the installation does not meet the minimum cabinet clearances, install a range hood above the cooktop to avoid burn hazards.

**ALL OPENINGS IN THE WALL OR FLOOR WHERE RANGE IS TO BE INSTALLED MUST BE SEALED.**

**Cabinet opening dimensions** that are shown must be used. Given dimensions are minimum clearances.

**Grounded electrical supply** is required. See "Electrical requirements," Panel B.

It is the customer's responsibility:

To contact a qualified electrical installer.

To assure that the electrical installation is adequate and in conformance with National Electrical Code, ANSI/NFPA 70 — latest edition\* and all local codes and ordinances.

### Mobile home installation

The installation of this range must conform with the Manufactured Home Construction and Safety Standard, Title 24 CFR, Part 3280 [formerly the Federal Standard for Mobile Home Construction and Safety, Title 24, HUD (Part 280)] or, when such standard is not applicable, the Standard for Manufactured Home Installations, ANSI A225.1/NFPA 501A\*, or with local codes.

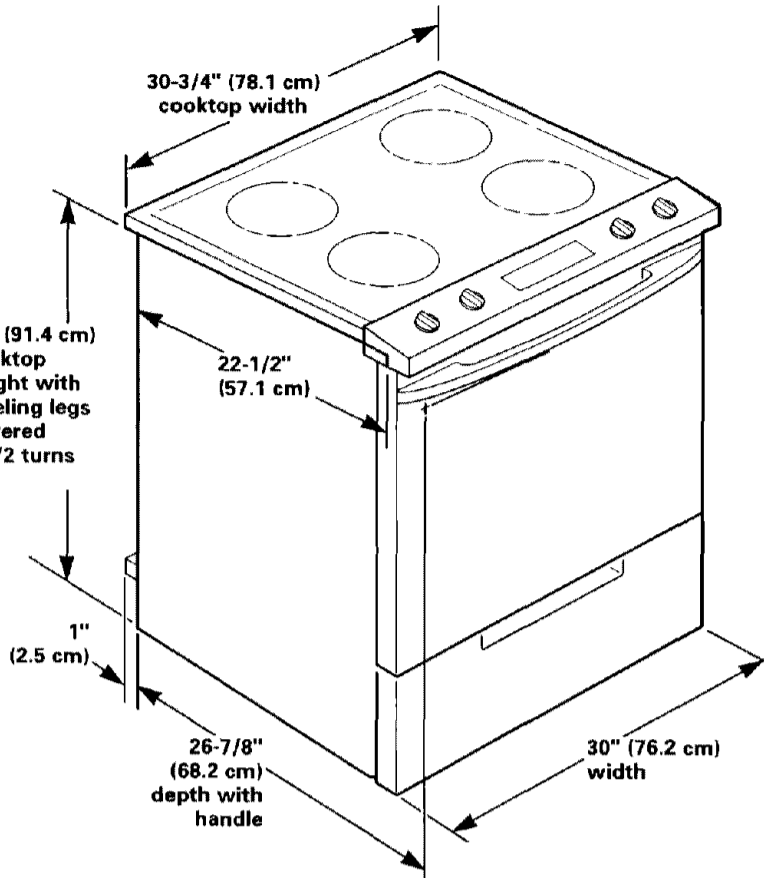
When this range is installed in a mobile home, it must be secured to the floor during transit. Any method of securing the range is adequate as long as it conforms to the standards listed above.

Four-wire power supply cord or cable must be used in a mobile home installation. The appliance wiring will need to be revised. See "Four-wire electrical connection," Panel B.

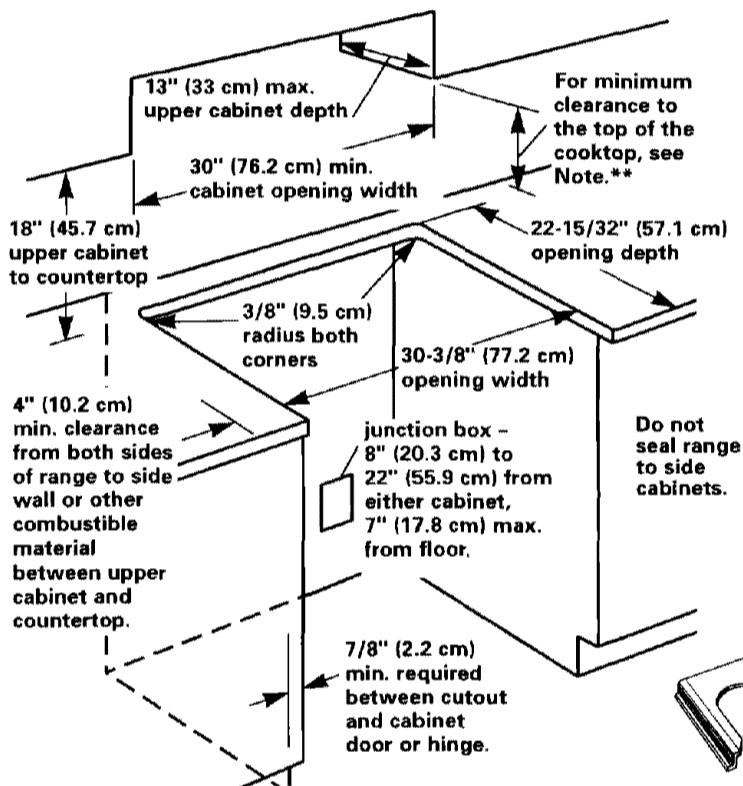
Copies of the standards listed may be obtained from:

\* National Fire Protection Association  
Batterymarch Park  
Quincy, Massachusetts 02269

## Product dimensions



## Cabinet dimensions/requirements



25" (63.5 cm) countertop depth  
24" (61 cm) base cabinet depth  
36" (91.4 cm) countertop height  
When installed in a 24" (61 cm) base cabinet with 25" (63.5 cm) countertop — front of oven door protrudes 1-7/8" (4.8 cm) beyond 24" (61 cm) base cabinet.

\*\* Note: 24" (61 cm) min. when bottom of wood or metal cabinet is protected by not less than 1/4" (0.64 cm) flame retardant millboard covered with not less than No. 28 MSG sheet steel, 0.015" (0.4 mm) stainless steel, 0.024" (0.6 mm) aluminum or 0.020" (0.5 mm) copper.

30" (76.2 cm) min. clearance between the top of the cooking platform and the bottom of an unprotected wood or metal cabinet.

The floor-mounted anti-tip bracket **MUST** be installed. To install the anti-tip bracket shipped with the range, see Panel C and the anti-tip bracket template/instruction sheet.

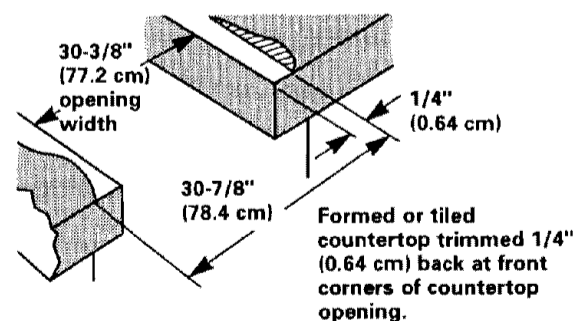
## Countertop preparation

The cooktop sides of the slide-in range fit over the cutout edge of your countertop.

**If you have a square finish (flat) countertop and the opening width is 30-3/8" (77.2 cm), no countertop preparation is required.**

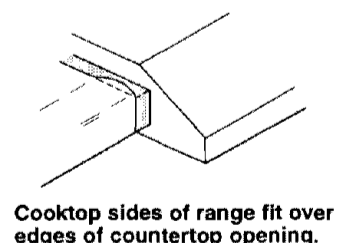
**Formed front-edged countertops:** Must have molded edge shaved flat 1/4" (0.64 cm) from each front corner of opening.

**Tile countertops** may need trim cut back 1/4" (0.64 cm) from each front corner and/or rounded edge flattened.



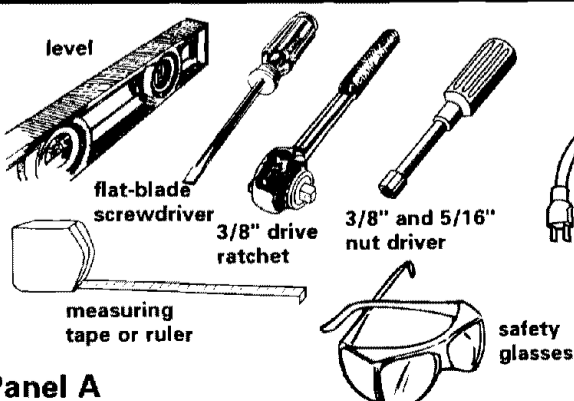
**If countertop opening width is greater than 30-3/8" (77.2 cm), adjust the 1/4" (0.64 cm) dimension.**

**Countertop must be level.** Place level on countertop, first side to side; then front to back. If countertop is not level, range will not be level. Oven must be level for satisfactory baking conditions.

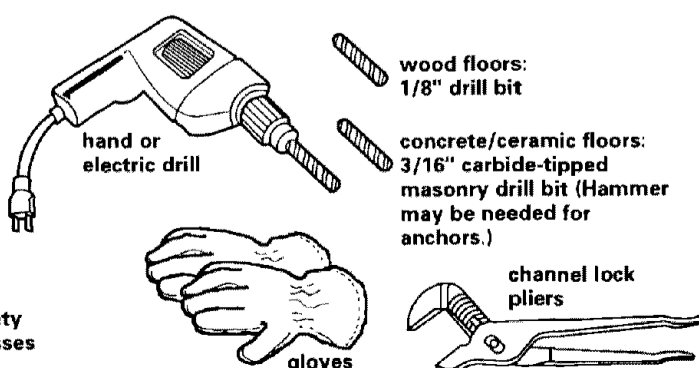


Cooktop sides of range fit over edges of countertop opening.

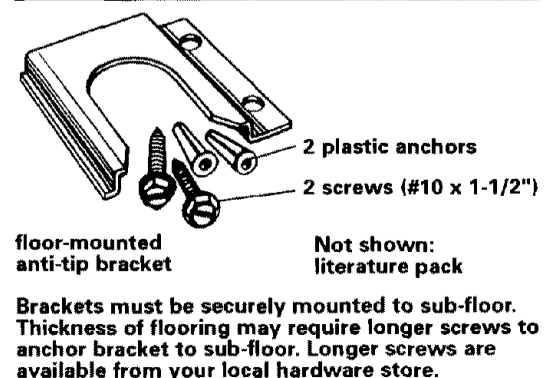
## Tools needed:



Panel A



## Parts supplied:



## Electrical requirements

If codes permit and a separate ground wire is used, it is recommended that a qualified electrician determine that the ground path and wire gauge are in accordance with local codes.

Do Not ground to a gas pipe.

Check with a qualified electrician if you are not sure range is properly grounded.

Do Not have a fuse in the neutral or ground circuit.

**A.** A four-wire or three-wire, single-phase, 120/240-volt, 60-Hz; 50-amp, AC-only, electrical supply (or four-wire or three-wire 120/208-volt if specified on the model/serial rating plate) is required on a separate 50-ampere circuit, fused on both sides of the line. A time-delay fuse or circuit breaker is recommended. The model/serial rating plate is located on the oven frame behind the storage drawer panel.

**B.** THE RANGE MUST BE CONNECTED WITH COPPER WIRE ONLY.

**C.** Wire sizes and connections must conform to the requirements of the National Electrical Code, ANSI/NFPA 70 — latest edition (\*See Panel A) and all local codes and ordinances for the kilowatt rating of the range.

**D.** This range should be connected directly to the fused disconnect or circuit breaker box through flexible, armored or non-metallic sheathed, copper cable (with ground wire). Locate the junction box to allow two to three feet of slack in the line so that the range can be moved if servicing is ever necessary. Do Not cut the conduit. A U.L.-listed conduit connector **must** be provided at each end of the power supply cable (at the range and at the junction box).

**E.** The wiring diagram is located on the back of the range or on the inside of the storage drawer in a clear plastic bag.

## Electrical connection

### WARNING



#### Electrical Shock Hazard

Turn power supply off before connecting wires.

Use 8-gauge solid copper wire.

Electrically ground range.

Failure to follow these instructions can result in death, fire, or electrical shock.

This range is manufactured with white (neutral) power supply wire and a cabinet-connected bare ground wire twisted together.

Remove junction box cover.

Connect the range cable to the junction box through a U.L.-listed conduit connector.

Complete electrical connection according to local codes and ordinances.

### A. If connecting to a four-wire electrical system...

Do Not connect the cabinet-ground conductor to the white (neutral) junction box wire.

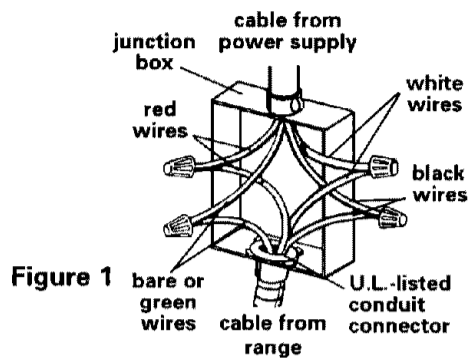


Figure 1

1. Disconnect the power supply.
2. Separate the green (or bare) and white appliance cable wires.
3. Connect the white range cable wire to the white (neutral) wire in the junction box.
4. Connect the two black wires together with twist-on connector.
5. Connect the two red wires together with twist-on connector.
6. Connect the green range wire to green ground wire in junction box.
7. Replace junction box cover.

### B. Where local codes permit... connecting the cabinet-ground conductor to the white (neutral) junction box wire:

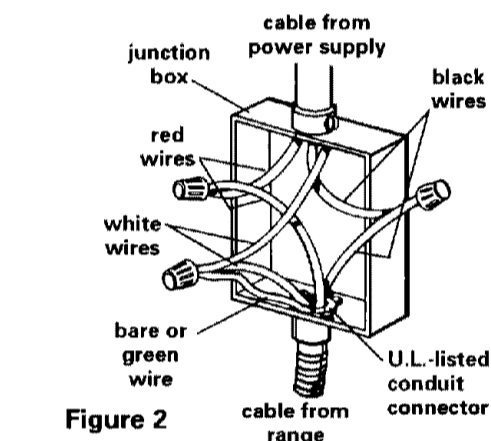


Figure 2

#### Grounded Neutral

1. Disconnect the power supply.
2. Remove the junction box cover.
3. Connect together 3 wires: green and white range cable wires and the white (neutral) wire in junction box.
4. Connect the two black wires together with twist-on connector.
5. Connect the two red wires together with twist-on connector.
6. Replace junction box cover.

### C. Where local codes Do Not permit...

connecting the cabinet-ground conductor to the white (neutral) junction box wire:

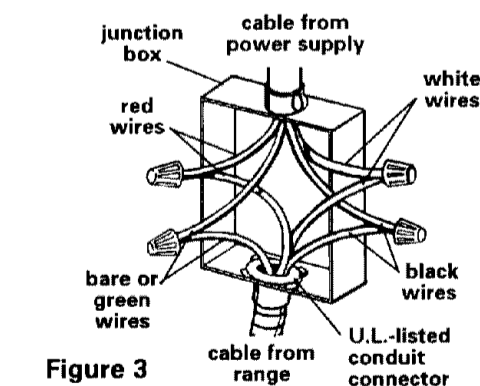


Figure 3

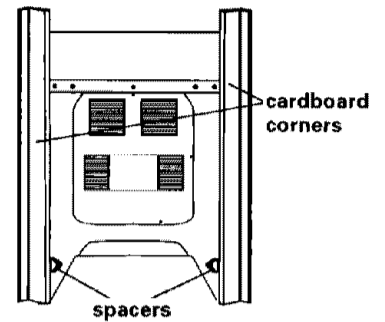
#### Grounded Neutral

1. Disconnect power supply.
2. Separate the green and white appliance cable wires.
3. Connect the white range cable wire to the white (neutral) wire in the junction box.
4. Connect the two black wires together with twist-on connector.
5. Connect the two red wires together with twist-on connector.
6. Connect the green or bare ground wire from the range cable to a ground wire in the junction box.
7. Replace junction box cover.

## Now start... With range in kitchen.

**1.** Put on safety glasses and gloves. Remove shipping materials, tape and protective film from range. Keep cardboard bottom and shipping base under range. Remove oven racks and parts package from inside oven.

**2.** Take 4 cardboard corners from the carton. Stack one cardboard corner on top of another. Repeat with the other two corners. Place corners lengthwise on the floor in back of range so corners will support outer side edges of range as shown.



### WARNING

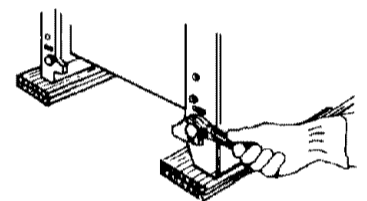
#### Excessive Weight Hazard

Use two or more people to move and install range.

Failure to do so can result in back or other injury.

**3.** Firmly grasp the range and gently lay it on its back on the cardboard corners.

**4.** Pull cardboard bottom and shipping base firmly to remove from range.



**5.** Use an adjustable wrench to loosen the leveling legs 1-1/2 turns.

**6.** Place cardboard or hardboard in front of range. Stand range back up onto cardboard or hardboard.

### WARNING



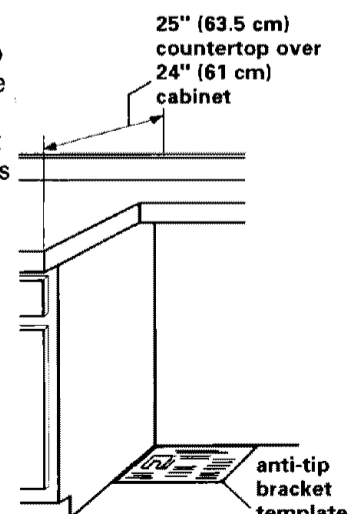
#### Tip Over Hazard

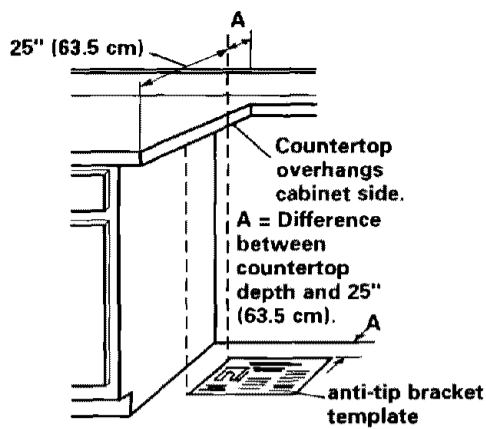
A child or adult can tip the range and be killed.

Connect anti-tip bracket to rear range foot. Reconnect the anti-tip bracket, if the range is moved.

Failure to follow these instructions can result in death or serious burns to children and adults.

**7.** Place the anti-tip bracket template on the floor in the cabinet opening so that the left edge is against cabinets and the top edge is against the rear wall, molding or cabinet.



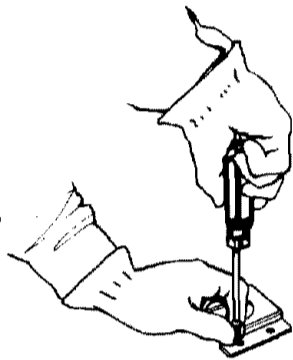


If countertop opening is deeper than 25 inches (63.5 cm), measure and mark a distance 25 inches (63.5 cm) in from front of **countertop opening** and align template with mark (or subtract 25 inches (63.5 cm) from countertop depth and add the difference to the corresponding dimension). If countertop is not flush to the side of cabinet opening, align the left side of the template to allow for the countertop overhang. Tape the range anti-tip bracket template in place.

Contact a qualified floor covering installer for the best procedure of drilling mounting holes through your type floor covering.

**8.** Use the anti-tip bracket template/instruction sheet to install the anti-tip bracket. **Anti-tip bracket must be anchored securely to the sub-floor.**

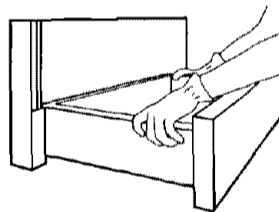
Depending on the thickness of your flooring, longer screws may be necessary to anchor the bracket to the sub-floor. Longer screws are available from your local hardware store.



Before moving range across floor, check that range is still on cardboard shipping base to protect floor covering.

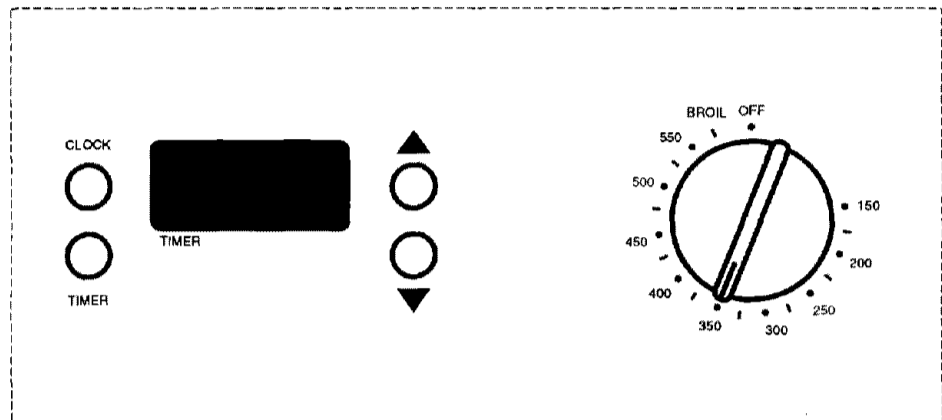
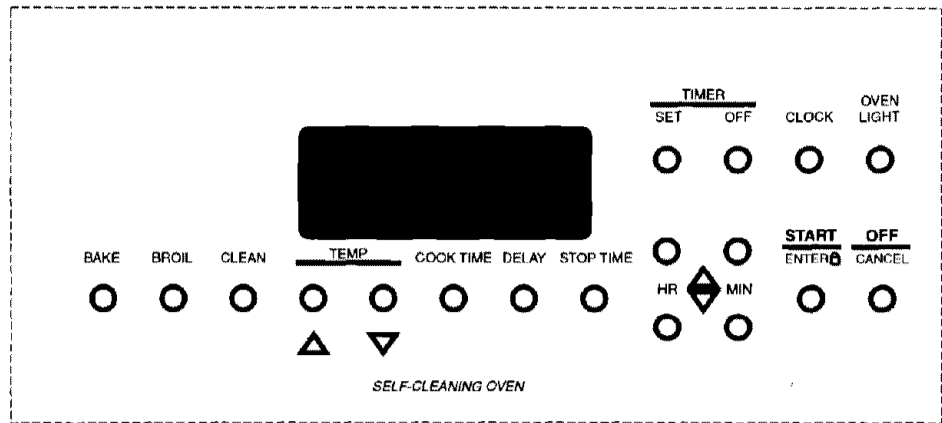
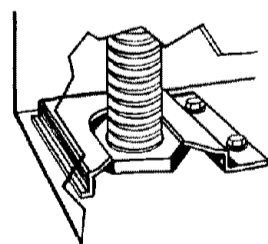
**9.** Move range close to cabinet opening. Make electrical connection. See "Electrical requirements" and "Electrical connection," Panel B, for details.

**10.** Remove cardboard or hardboard from under range. Pull storage drawer open to first stop position. Lift front of drawer to clear white wheels in drawer guides. Remove drawer and set it aside on a protected surface.

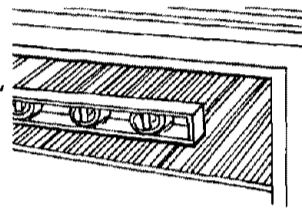


**11.** Make sure the anti-tip bracket is installed:

- Look for the anti-tip bracket securely attached to floor.
- Slide range back so rear range foot is under anti-tip bracket.



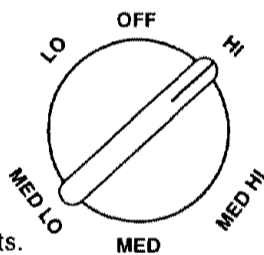
**12.** Place rack in oven. Place level on rack, first side to side; then front to back. If the range is not level, pull range forward until the rear leveling leg is removed from the anti-tip bracket. Adjust the leveling legs up or down. Then slide range back into position. Check that leveling leg is engaged in anti-tip bracket.



**NOTE:** Oven must be level for satisfactory baking conditions.

**13.** Insert storage drawer into slide rails on sides of drawer opening. Lift front of drawer slightly and push firmly to close drawer.

**14. Check the operation of the cooktop elements:** Push in and turn each surface unit control knob to "HI" position. Check the operation of the cooktop elements and indicator lights.



**15. Check the operation of the oven element:** Press the "BAKE" pad. "350°F" will appear in the temperature display. Press the "Start/Enter" pad. Pre °F will appear in the display, and a preheating time will count down.

If you have a dial temperature setting rotate knob to the "350" setting.

The indicator light should be on. The bottom element should glow red. The upper element should become hot but not glow red. When the preheating time ends, the set temperature will appear in the display. You will hear a 1-second tone.

Press "Cancel/OFF" pad, or rotate knob to "OFF" position.

**16. Check the operation of the broil element:** Close the oven door. Press the "BROIL" pad. "500°F" will appear in the temperature display. Press the "Start/Enter" pad. If you have a dial temperature setting, rotate knob to "BROIL" position.

The indicator light should come on. Look through the oven window. The top element should glow red.

Press "Cancel/OFF" pad, or rotate knob to "OFF" position.

**To get the most efficient use from your new electric range, read your Whirlpool Use and Care Guide. Keep Installation Instructions and Guide close to the electric range for easy reference.**

## If range does not operate:

- ✓ Check that the circuit breaker is not tripped or the house fuse blown.
- ✓ See Use and Care Guide for troubleshooting list.

## If you need assistance:

If you have questions about operating, cleaning or maintaining your range:

- ✓ Refer to Use and Care Guide.
- ✓ Call the Consumer Assistance Center. Check your Use and Care Guide for a toll-free number to call or call the dealer from whom you purchased this appliance. The dealer is listed in the Yellow Pages of your phone directory under "Appliances — Household — Major — Service and Repair."

## If you need service:

Maintain the quality built into your range by calling an authorized service company.

To obtain the name and number of the authorized service company:

- ✓ Contact the dealer from whom you purchased your range; or
- ✓ Look in the Yellow Pages of your telephone directory under "Appliances — Household — Major — Service and Repair;" or
- ✓ Call the Consumer Assistance Center. The toll-free number is listed in your Use and Care Guide.

When you call, you will need:


- ✓ The range model number.
- ✓ The range serial number.

Both numbers are listed on the model/serial rating plate located on the oven frame behind the oven door.

Part No. 9752913  
© 1998 Whirlpool Corporation

## Moving the range:

**⚠ WARNING**

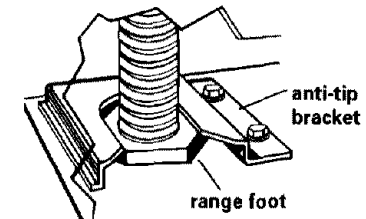


**Tip Over Hazard**  
**A child or adult can tip the range and be killed.**  
**Connect anti-tip bracket to rear range foot.**  
**Reconnect the anti-tip bracket, if the range is moved.**  
**Failure to follow these instructions can result in death or serious burns to children and adults.**

When moving range, slide range onto cardboard or hardboard to prevent damaging the floor covering.

If removing the range is necessary for cleaning or maintenance:

1. **Disconnect the electrical supply.**
2. Slide range forward to complete cleaning or maintenance.



3. **Make sure the anti-tip bracket is installed:**
  - Look for the anti-tip bracket securely attached to floor.
  - Slide range back so rear range foot is under anti-tip bracket.
4. Check that range is level.
5. Reconnect the electrical supply.