

---

# 30" (76.2 CM) RANGE HOOD LINER

Installation Instructions and Use & Care Guide

---

# CAISSE DE HOTTE POUR CUISINIÈRE DE 30" (76,2 CM)

Instructions d'installation et Guide d'utilisation et d'entretien

---

Table of Contents/Table des matières.....2

**IMPORTANT: READ AND SAVE THESE INSTRUCTIONS.  
FOR RESIDENTIAL USE ONLY.**

**IMPORTANT : LIRE ET CONSERVER CES INSTRUCTIONS.  
POUR UTILISATION RÉSIDENIELLE UNIQUEMENT.**

## TABLE OF CONTENTS

<b>RANGE HOOD SAFETY</b> .....	<b>2</b>
<b>INSTALLATION REQUIREMENTS</b> .....	<b>4</b>
Tools and Parts .....	4
Location Requirements .....	4
Venting Requirements .....	5
Electrical Requirements .....	7
<b>INSTALLATION INSTRUCTIONS</b> .....	<b>8</b>
Prepare Location .....	8
Install Range Hood .....	10
Connect the Vent System .....	11
Complete Installation .....	11
<b>RANGE HOOD USE</b> .....	<b>12</b>
Range Hood Controls .....	12
<b>RANGE HOOD CARE</b> .....	<b>12</b>
Cleaning .....	12
<b>WIRING DIAGRAM</b> .....	<b>14</b>
<b>ASSISTANCE OR SERVICE</b> .....	<b>15</b>
In the U.S.A. ....	15
In Canada .....	15
Accessories .....	15
<b>WARRANTY</b> .....	<b>15</b>

## TABLE DES MATIÈRES

<b>SÉCURITÉ DE LA HOTTE DE CUISINIÈRE</b> .....	<b>17</b>
<b>EXIGENCES D'INSTALLATION</b> .....	<b>19</b>
Outils et pièces .....	19
Exigences d'emplacement .....	19
Exigences concernant l'évacuation .....	20
Spécifications électriques .....	22
<b>INSTRUCTIONS D'INSTALLATION</b> .....	<b>23</b>
Préparation de l'emplacement .....	23
Installation de la hotte .....	25
Raccordement du circuit d'évacuation .....	26
Achever l'installation .....	27
<b>UTILISATION DE LA HOTTE</b> .....	<b>27</b>
Commandes de la hotte de cuisinière .....	27
<b>ENTRETIEN DE LA HOTTE</b> .....	<b>27</b>
Nettoyage .....	27
<b>SCHÉMAS DE CÂBLAGE</b> .....	<b>29</b>
<b>ASSISTANCE OU SERVICE</b> .....	<b>30</b>
Au Canada .....	30
Accessoires .....	30
<b>GARANTIE</b> .....	<b>31</b>

## RANGE HOOD SAFETY

### Your safety and the safety of others are very important.

We have provided many important safety messages in this manual and on your appliance. Always read and obey all safety messages.



This is the safety alert symbol.

This symbol alerts you to potential hazards that can kill or hurt you and others.

All safety messages will follow the safety alert symbol and either the word "DANGER" or "WARNING."

These words mean:

**⚠ DANGER**

You can be killed or seriously injured if you don't immediately follow instructions.

**⚠ WARNING**

You can be killed or seriously injured if you don't follow instructions.

All safety messages will tell you what the potential hazard is, tell you how to reduce the chance of injury, and tell you what can happen if the instructions are not followed.

State of California Proposition 65 Warnings:

WARNING: This product contains one or more chemicals known to the State of California to cause cancer.

WARNING: This product contains one or more chemicals known to the State of California to cause birth defects or other reproductive harm.

## IMPORTANT SAFETY INSTRUCTIONS

**WARNING:** TO REDUCE THE RISK OF FIRE, ELECTRIC SHOCK, OR INJURY TO PERSONS, OBSERVE THE FOLLOWING:

- Use this unit only in the manner intended by the manufacturer. If you have questions, contact the manufacturer.
- Before servicing or cleaning the unit, switch power off at service panel and lock the service disconnecting means to prevent power from being switched on accidentally. When the service disconnecting means cannot be locked, securely fasten a prominent warning device, such as a tag, to the service panel.
- Installation work and electrical wiring must be done by qualified person(s) in accordance with all applicable codes and standards, including fire-rated construction.
- Do not operate any fan with a damaged cord or plug. Discard fan or return to an authorized service facility for examination and/or repair.
- Sufficient air is needed for proper combustion and exhausting of gases through the flue (chimney) of fuel burning equipment to prevent backdrafting. Follow the heating equipment manufacturer's guideline and safety standards such as those published by the National Fire Protection Association (NFPA), the American Society for Heating, Refrigeration and Air Conditioning Engineers (ASHRAE), and the local code authorities.
- When cutting or drilling into wall or ceiling; do not damage electrical wiring and other utilities.
- Ducted fans must always be vented outdoors.

**CAUTION:** For general ventilating use only. Do not use to exhaust hazardous or explosive materials and vapors.

**CAUTION:** To reduce risk of fire and to properly exhaust air, be sure to duct air outside - do not vent exhaust air into spaces within walls or ceilings, attics or into crawl spaces, or garages.

**WARNING:** TO REDUCE THE RISK OF FIRE, USE ONLY METAL DUCTWORK.

**WARNING:** TO REDUCE THE RISK OF A RANGE TOP GREASE FIRE:

- Never leave surface units unattended at high settings. Boilovers cause smoking and greasy spillovers that may ignite. Heat oils slowly on low or medium settings.
- Always turn hood ON when cooking at high heat or when flambeing food (i.e. Crepes Suzette, Cherries Jubilee, Peppercorn Beef Flambe).
- Clean ventilating fans frequently. Grease should not be allowed to accumulate on fan or filter.
- Use proper pan size. Always use cookware appropriate for the size of the surface element.

**WARNING:** TO REDUCE THE RISK OF INJURY TO PERSONS IN THE EVENT OF A RANGE TOP GREASE FIRE, OBSERVE THE FOLLOWING:<sup>a</sup>

- SMOTHER FLAMES with a close fitting lid, cookie sheet, or metal tray, then turn off the burner. BE CAREFUL TO PREVENT BURNS. If the flames do not go out immediately, EVACUATE AND CALL THE FIRE DEPARTMENT.
- NEVER PICK UP A FLAMING PAN - you may be burned.
- DO NOT USE WATER, including wet dishcloths or towels - a violent steam explosion will result.
- Use an extinguisher ONLY if:
  - You know you have a class ABC extinguisher, and you already know how to operate it.
  - The fire is small and contained in the area where it started.
  - The fire department is being called.
  - You can fight the fire with your back to an exit.

<sup>a</sup>Based on "Kitchen Fire Safety Tips" published by NFPA.

- **WARNING:** To reduce the risk of fire or electrical shock, do not use this fan with any solid-state speed control device.

## READ AND SAVE THESE INSTRUCTIONS

---

# INSTALLATION REQUIREMENTS

---

## Tools and Parts

Gather the required tools and parts before starting installation. Read and follow the instructions provided with any tools listed here.

### Tools needed

- Level
- Drill
- 1/8" (3 mm) drill bit
- Pencil
- Pliers
- Tape measure or ruler
- Caulking gun and weatherproof caulking compound
- Phillips screwdriver
- Flat-blade screwdriver
- Saber or keyhole saw
- Vent clamps
- Metal snips

### Parts needed

- 6" (15.2 cm) round metal vent system

### For vented installations, you will need:

- 1 wall or roof cap

### For non-vented (recirculating) installations, you will also need:

- Recirculation Kit Part Number W10490330. See the "Assistance or Service" section to order.

### Parts supplied

Remove parts from packages. Check that all parts are included.

- Damper
- Hardware package. Includes:
  - Installation Instructions and Use and Care Guide
  - 2 mounting brackets
  - 6 spacers
  - 10 - 4.5 x 13 mm wood screws
  - 2 - 4.2 x 15 mm machine screws
  - 4 - 3.5 x 9.5 mm flat-head sheet metal screws
  - 8 - 4.2 x 19 mm sheet metal screws
  - 2 - 3.5 x 9.5 mm sheet metal screws
  - 1 - 30" x 12" (76.2 x 30.5 cm) face panel
  - 2 metal grease filters
  - T10 TORX<sup>®†</sup> adapter
  - 8 - metal washers
  - 8 - plastic washers

## Location Requirements

**IMPORTANT:** Observe all governing codes and ordinances.

Have a qualified technician install the range hood. It is the installer's responsibility to comply with installation clearances specified on the model/serial rating plate. The model/serial rating plate is located inside the liner behind the filter on the left wall of the range hood.

Range hood location should be away from strong draft areas, such as windows, doors, and strong heating vents.

Cabinet opening dimensions that are shown must be used. Given dimensions provide minimum clearance. Consult your cooktop/range manufacturer installation instructions before making any cutouts.

This range hood is recommended for use with cooktops with a maximum total rating of 65,000 Btus or less.

Grounded electrical outlet is required. See "Electrical Requirements" section.

The range hood is factory set for vented installations through the roof or wall. For non-vented (recirculating) installations see "Non-Vented (recirculating) Installation Through the Soffit/Cabinet" in the "Prepare Location" section. Recirculation Kit Part Number W10490330 is available from your dealer or an authorized parts distributor.

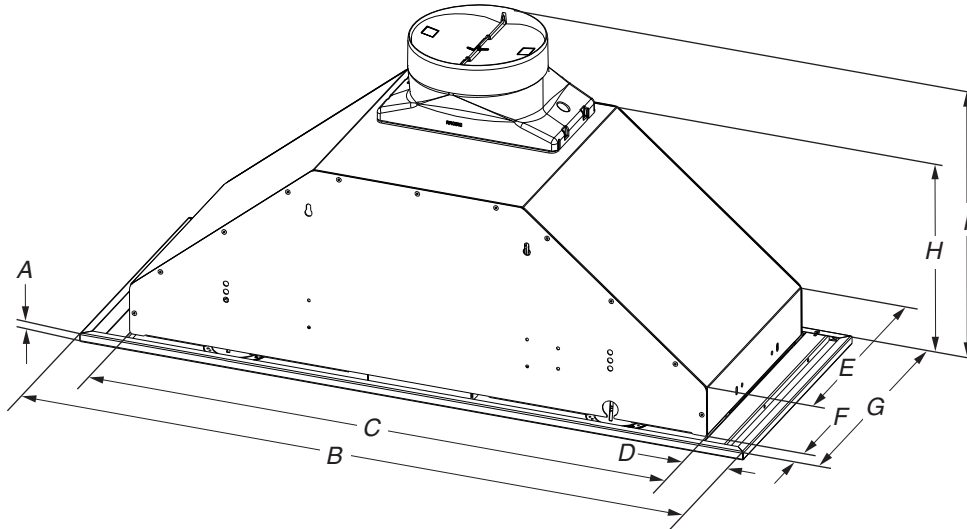
All openings in ceiling and wall where range hood will be installed must be sealed.

### For Mobile Home Installations

The installation of this range hood must conform to the Manufactured Home Construction Safety Standards, Title 24 CFR, Part 328 (formerly the Federal Standard for Mobile Home Construction and Safety, title 24, HUD, Part 280) or when such standard is not applicable, the standard for Manufactured Home Installation 1982 (Manufactured Home Sites, Communities and Setups) ANSI A225.1/NFPA 501A, or latest edition, or with local codes.

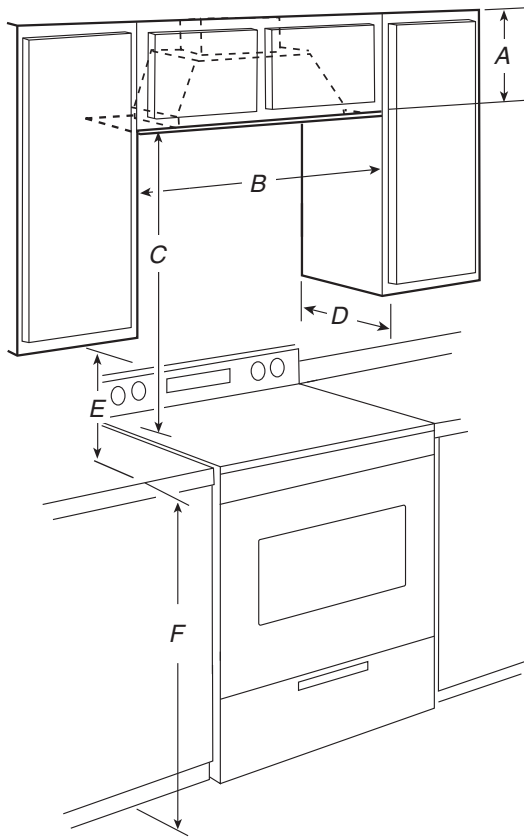
†@TORX is a registered trademark of Saturn Fasteners, Inc.

## Product Dimensions



A. $\frac{3}{8}$ " (1.0 cm)	D. 2" (5.1 cm) or 5" (12.7 cm)	G. $11\frac{7}{8}$ " (30.2 cm) or $17\frac{7}{8}$ " (45.4 cm)
B. 30" (76.2 cm) or 36" (91.4 cm)	E. $10\frac{3}{4}$ " (27.4 cm)	H. $9\frac{1}{8}$ " (23.1 cm)
C. 26" (66.1 cm)	F. $\frac{3}{4}$ " (1.9 cm)	I. $13\frac{5}{8}$ " (33.7 cm)

## Cabinet Dimensions



A. 12" (30.5 cm) min. upper cabinet height  
 B. 30" (76.2 cm) or 36" (91.4 cm) cabinet opening width\*  
 C. 24" (61 cm) min. 36" (91.4 cm) suggested max. bottom of cabinet to cooking surface

D. 12" (30.5 cm) cabinet depth\*  
 E. 15" (38.1 cm) min. clearance upper cabinet to countertop  
 F. 36" (91.4 cm) base cabinet height

\*NOTE: 30" (76.2 cm) cabinet width can be 12" (30.5 cm) deep or 18" (45.7 cm) deep cabinets.

36" (91.4 cm) cabinet width requires 18" (45.7 cm) deep cabinets.

For 18" (45.7 cm) deep cabinets, an optional "Face Panel Rear Extension" (30" [76.2 cm]) or "Face Panel" (36" [91.4 cm]) must be purchased separately. See "Assistance and Service" section to order.

## Venting Requirements (vented models only)

- Vent system must terminate to the outside, except for non-vented (recirculating) installations.
- Do not terminate the vent system in an attic or other enclosed area.
- Do not use a 4" (10.2 cm) laundry-type wall cap.
- Use metal vent only. A rigid metal vent is recommended. Plastic or metal foil vent is not recommended.
- The length of the vent system and number of elbows should be kept to a minimum to provide efficient performance.

### For the most efficient and quiet operation:

- Use no more than three 90° elbows.
- Make sure there is a minimum of 24" (61.0 cm) of straight vent between the elbows if more than 1 elbow is used.
- Do not install 2 elbows together.
- The vent system must have a damper.
- Use clamps to seal all joints in the vent system.
- Use caulking to seal exterior wall or roof opening around the cap.
- The size of the vent should be uniform.

## Cold weather installations

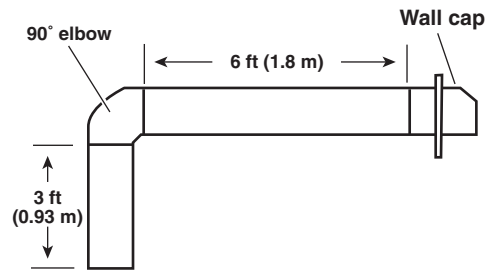
An additional back draft damper should be installed to minimize backward cold air flow and a thermal break should be installed to minimize conduction of outside temperatures as part of the vent system. The damper should be on the cold air side of the thermal break.

The break should be as close as possible to where the vent system enters the heated portion of the house.

## Makeup air

Local building codes may require the use of makeup air systems when using ventilation systems with greater than specified CFM of air movement. The specified CFM varies from locale to locale. Consult your HVAC professional for specific requirements in your area.

## Example vent system - 6" (15.2 cm)



**Maximum Length = 35 ft (10.7 m)**

1 - 90° elbow = 5 ft (1.5 m)

1 - wall cap = 0 ft (0 m)

9 ft (2.8 m) straight = 9 ft (2.8 m)

System length = 14 ft (4.3 m)

## Non-Vented (recirculating) Installations Through the Soffit/Cabinet

If it is not possible to vent cooking fumes and vapors to the outside, the range hood can be used in the non-vented (recirculating) version, using a charcoal filter. Charcoal Filter Kit Part Number W10272068 is available from the dealer or an authorized parts distributor.

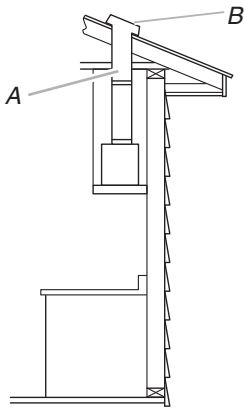
## Venting Methods

This range hood is factory set for venting through the roof or through the wall.

The vent system needed for installation is not included.

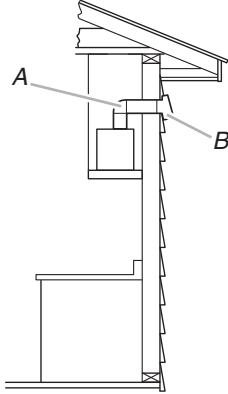
A 6" (15.2 cm) round vent system is recommended.

### Roof Venting



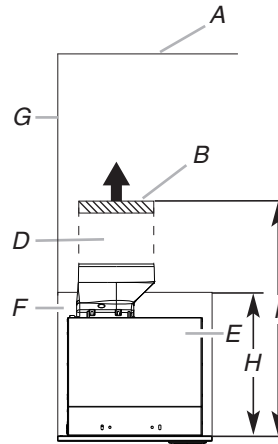
A. 6" (15.2 cm) vent through the roof  
B. Roof cap

### Wall Venting



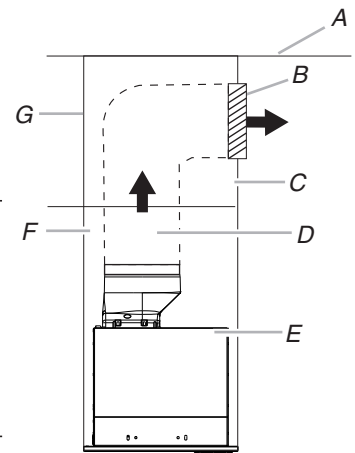
A. 6" (15.2 cm) vent through the wall  
B. Wall cap

### Through Cabinet



A. Ceiling  
B. Vent cover  
C. Soffit  
D. 6" (15.2 cm) vent  
E. Range hood

### Through Soffit



F. Cabinet  
G. Wall  
H. 12" (30.5 cm) min. cabinet height  
I. 17" (43.2 cm) min. vent cover height

**NOTE:** 12" (30.5 cm) high cabinets without a soffit may allow the 6" (15.2 cm) vent and vent cover to be seen.

## Calculate Vent System Length

The recommended vent system is 6" (15.2 cm) round vent with a maximum length of 35 ft (10.7 m). For the best performance, use no more than three 90° elbows.

To calculate the length of the system, add the equivalent feet (meters) for each of the vent pieces used in the system.

Vent Piece	6" (15.2 cm)	
45° elbow	2.5 ft (0.8 m)	
90° elbow	5.0 ft (1.5 m)	

## Electrical Requirements

### **⚠ WARNING**



#### Electrical Shock Hazard

**Plug into a grounded 3 prong outlet.**

**Do not remove ground prong.**

**Do not use an adapter.**

**Do not use an extension cord.**

**Failure to follow these instructions can result in death, fire, or electrical shock.**

**IMPORTANT:** The range hood must be electrically grounded in accordance with local codes and ordinances, or in the absence of local codes, with the National Electrical Code, ANSI/NFPA 70 (latest edition) or Canadian Electrical Code, CSA C22.1 No. 0-M91 (latest edition).

If codes permit and a separate ground wire is used, it is recommended that a qualified electrical installer determine that the ground path is adequate.

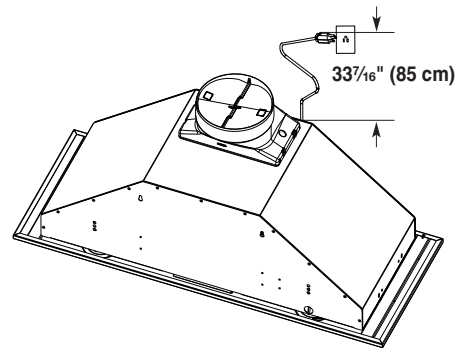
A copy of the above code standards can be obtained from:

National Fire Protection Association  
1 Batterymarch Park  
Quincy, MA 02169-7471

CSA International  
8501 East Pleasant Valley Road  
Cleveland, Ohio 44131-5575

- A 120 volt, 60 Hz, AC only, 15- or 20-amp, fused electrical circuit is required. A time-delay fuse or circuit breaker is also recommended. It is recommended that a separate circuit serving only this range hood be provided.
- This range hood is equipped with a power supply cord having a 3 prong grounding plug.

- To minimize possible shock hazard, the cord must be plugged into a mating, 3 prong, grounding-type outlet, grounded in accordance with local codes and ordinances. If a mating outlet is not available, it is the personal responsibility and obligation of the customer to have the properly grounded outlet installed by a qualified electrician.
- The grounded 3 prong outlet is to be located inside the cabinet above the range hood at a maximum distance of  $33\frac{7}{16}$ " (85.0 cm) from where the power cord exits the hood. The grounded 3 prong outlet must be accessible after installation of the range hood. See illustration.



### **GROUNDING INSTRUCTIONS**

- For a grounded, cord-connected range hood:  
This range hood must be grounded. In the event of an electrical short circuit, grounding reduces the risk of electric shock by providing an escape wire for the electric current. This range hood is equipped with a cord having a grounding wire with a grounding plug. The plug must be plugged into an outlet that is properly installed and grounded.

**WARNING:** Improper grounding can result in a risk of electric shock.

Consult a qualified electrician if the grounding instructions are not completely understood, or if doubt exists as to whether the range hood is properly grounded.

Do not use an extension cord. If the power supply cord is too short, have a qualified electrician install an outlet near the range hood.

**SAVE THESE INSTRUCTIONS**

# INSTALLATION INSTRUCTIONS

## Prepare Location

- It is recommended that the vent system be installed before the range hood is installed.
  - Before making cutouts, make sure there is proper clearance within the ceiling or wall for vent fittings.
  - Making the cutout to the bottom of the cabinet may be easier to do prior to mounting the cabinet to the wall.
1. Disconnect power.
  2. Determine which venting method to use: roof, wall, or non-vented.
  3. Select a flat surface for assembling the range hood. Place covering over that surface.

### **⚠ WARNING**

#### **Excessive Weight Hazard**

**Use two or more people to move and install range hood.**

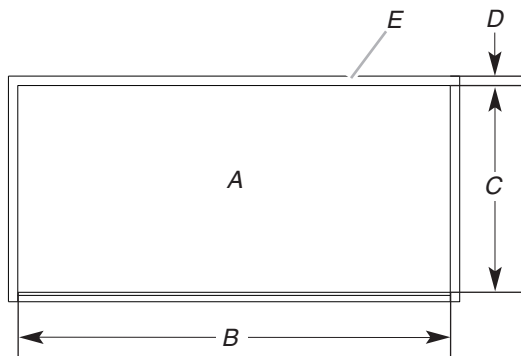
**Failure to do so can result in back or other injury.**

4. Using 2 or more people, lift range hood onto covered surface.

### Range Hood Cabinet Cutout

1. Use a saber saw or keyhole saw to cut out the cabinet bottom inside the cabinet frame.

**NOTE:** Frameless type cabinets require  $\frac{3}{4}$ " (1.9 cm) front lip in the cabinet bottom. A  $\frac{3}{4}$ " (1.9 cm) thick filler strip (not supplied) may be required for some types of cabinets. (See Step 3 in the "Install Range Hood" section.)



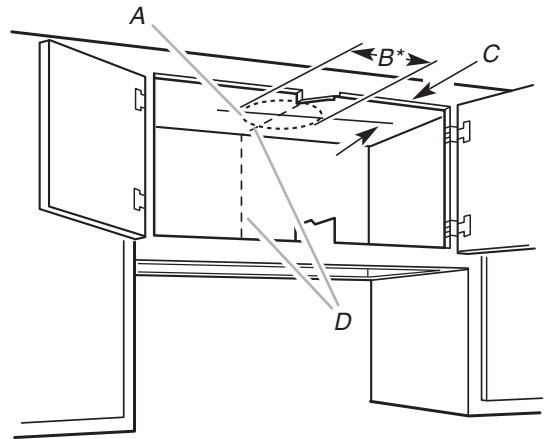
- A. Bottom of cabinet cutout
- B. Bottom must be cut flush to the inside walls of the cabinet.
- C.  $10\frac{7}{8}$ " (27.6 cm) min. from the inside of the cabinet front face
- D.  $\frac{3}{4}$ " (1.9 cm) thick front face required for cabinet bottom.
- E. Front of cabinet

2. Complete cabinet preparation following the instructions for your type of venting. Determine venting cutout locations and cut out vent openings in the cabinets, walls and/or soffit.

### Venting Outside Through the Roof

Measure and mark the lines as shown. Use a saber saw or keyhole saw to cut an opening through the top of the cabinet and the roof for the vent.

Go to Step 3.

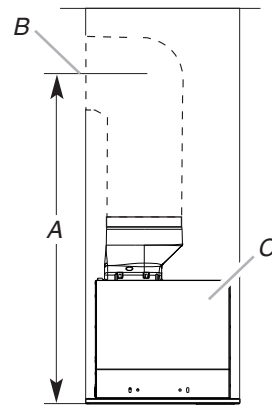


- A. Cutout
- B.  $6\frac{1}{4}$ " (15.9 cm)\*
- C.  $7\frac{3}{4}$ " (19.7 cm) centerline to cabinet front
- D. Centerline

**\*NOTE:** For 12" (30.5 cm) high cabinets, a  $6\frac{1}{4}$ " deep x 8" wide (14.6 cm x 20.3 cm) rectangular opening in the cabinet top is required for damper transition clearance.

### Venting Outside Through the Wall

Install the 6" (15.2 cm) vent transition to the top of the range hood liner using two 3.5 x 9.5 mm screws. Assemble the vent duct that you will use over the 6" (15.2 cm) vent transition. Measure from the bottom of the range hood liner to the horizontal centerline of the vent opening (A).



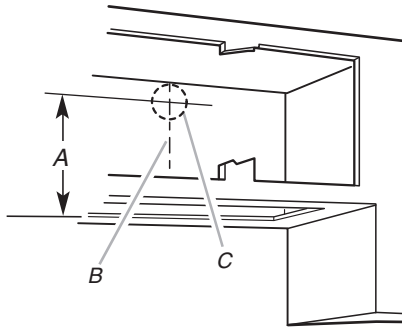
- A. Measurement A
- B. Horizontal centerline of vent opening
- C. Range hood liner

Remove the vent duct from the range hood liner.



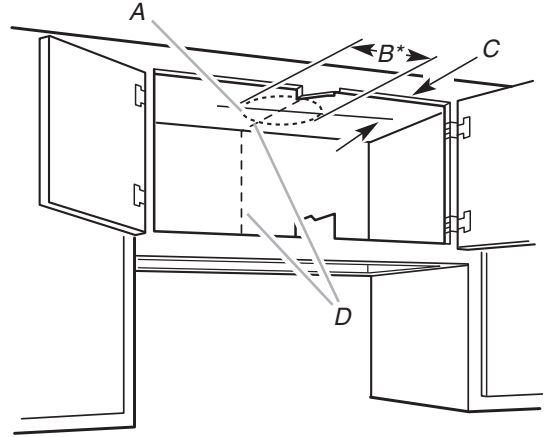
Transfer measurement A to the cabinet back wall. Measure from the underside of the cabinet. Mark the cutout as shown. Use a saber saw or keyhole saw to cut a round opening through the back of the cabinet and the exterior wall for the vent.

Go to Step 3.



A. Measurement A  
B. Centerline  
C. 6¼" (15.9 cm) round cutout

Measure and mark the centerline location for the cutout in the cabinet top. Use a saber saw or keyhole saw to cut an opening for the vent.

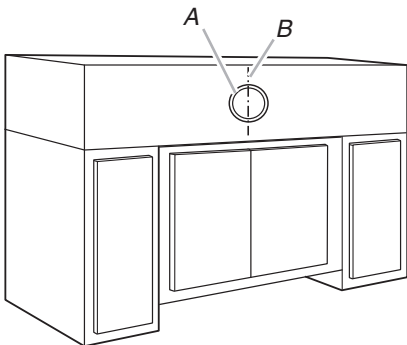


A. Cutout  
B. \*See chart below.  
C. 7¾" (19.7 cm) centerline to cabinet front  
D. Centerline

### Non-Vented (recirculating) Installation Through the Soffit/Cabinet

Measure and mark the centerline of the cabinet to the soffit above.

Measure from the bottom of the cabinet to the centerline of the where the vent will come through the soffit. Mark the location and use a saber saw or keyhole saw to cut a 5¾" (14.6 cm) hole for the vent cover.



A. Vent cover  
B. Centerline

Cabinet Height	Hole Shape and Size
12" (30.5 cm)	A 6¼" deep x 8" wide (15.9 cm x 20.3 cm) rectangular opening in the cabinet top is required for damper transition clearance.
15" (38.1 cm) cabinet or soffit installation	A 6¼" (15.9 cm) diameter round opening is required.
18" (45.7 cm) or 24" (61.0 cm)	A 5¾" (14.6 cm) diameter round opening is required.

For non-vented (recirculating) installations only, the range hood can be vented indoors through the top of the cabinet.

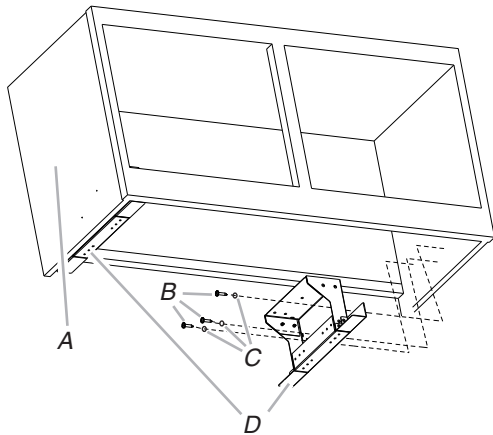
For non-vented (recirculating) installations, charcoal filters are necessary. See the "Range Hood Care" section for instructions on installing charcoal filters.

The Recirculation Kit Part Number W10490330 must be used.

## Complete Preparation

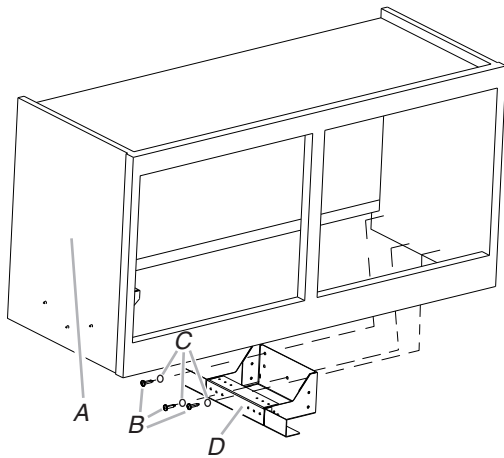
- If not yet attached, install the 6" (15.2 cm) vent transition the top of the range hood liner using two 3.5 x 9.5 mm screws.
- Locate side mounting bracket flush to the bottom of the cabinet side and against the inside of the front cabinet face. Orient the bracket depending on the width of your cabinet as depicted in the diagrams below. Drill 1/8" (3 mm) pilot holes in 6 places, attach a bracket using three 4.5 x 13 mm screws to each side of the cabinet, and tighten. Additional washers in hardware package are supplied as spacers for cabinet walls thinner than 1/2" (13 mm).

### Bracket Orientation for 30" (76.2 cm) Cabinet



- A. 30" (76.2 cm) cabinet
- B. Screws - 4.5 x 13 mm (6)
- C. Washers (optional)
- D. Mounting bracket (2) (position for 30" [76.2 cm] cabinet)

### Bracket Orientation for 36" (91.4 cm) cabinet



- A. 36" (91.4 cm) cabinet
- B. Screws - 4.5 x 13 mm (6)
- C. Washers (optional)
- D. Mounting bracket (2) (position for 36" [91.4 cm] cabinet)

- Install the vent system according to the method needed. Use caulking to seal the exterior wall or roof opening.

## Install Range Hood

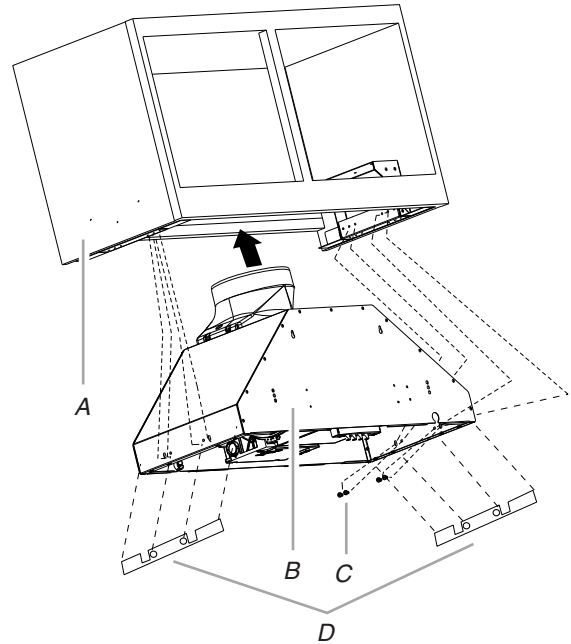
### ⚠ WARNING

#### Excessive Weight Hazard

Use two or more people to move and install range hood.

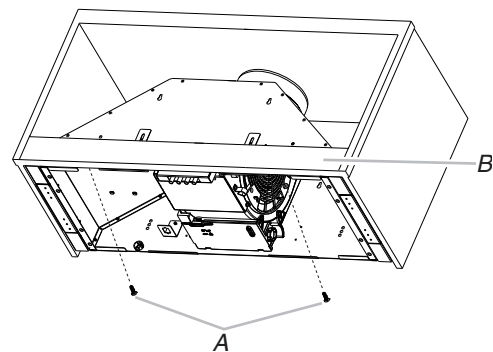
Failure to do so can result in back or other injury.

- Using 2 or more people, lift the hood liner into its mounted location. Attach with four 4.2 x 19 mm screws into the slotted openings. Do not tighten screws.



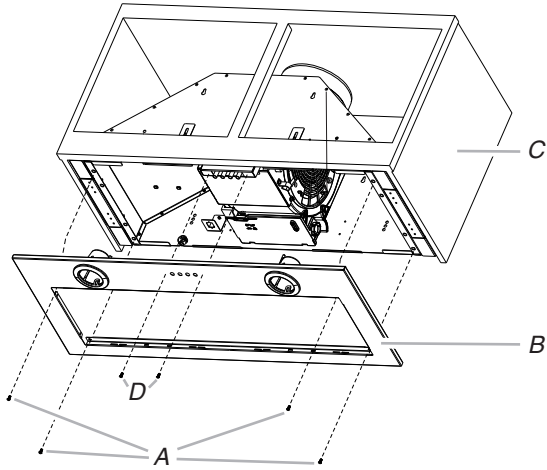
- A. Cabinet
- B. Hood liner canopy assembly
- C. Screws - 4.2 x 19 mm (8)
- D. Spacer - optional

- If needed, insert spacers between each side of the canopy and the mounting plate to space and center the canopy in the cabinet. Align the bottom of the canopy with the bottom of the cabinet. Install four 4.2 x 19 mm screws into the round mounting plate openings and tighten all (8) mounting screws.
- (For some installations):**  
A filler strip may be required for some cabinets. Install a filler strip and secure with two 4.5 x 13 mm screws from inside the front of the hood liner assembly.



- A. Screws - 4.5 x 13 mm
- B. Filler strip

- Remove the metal grease filters from the face panel. See the "Range Hood Care" section.
- Attach the face panel to the hood liner. (3 sizes: The 30" x 12" [76.2 cm x 30.5 cm] cabinet size is shown.)  
See instruction below for your specific cabinet size.



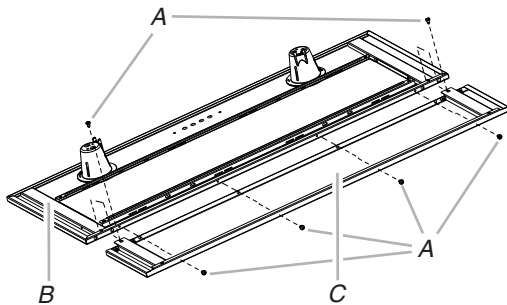
- A. Screws - 3.5 x 9.5 mm flat-head (4)
- B. Face plate (30" x 12" [76.2 cm x 30.5 cm] shown)
- C. Cabinet (30" x 12" [76.2 cm x 30.5 cm] shown)
- D. Screws - 4.2 x 15 mm truss-head (2)

**For cabinet size - 30" x 12" (76.2 cm x 30.5 cm)**

Attach the 30" x 12" (76.2 cm x 30.5 cm) face panel (supplied with range hood) to the hood liner using four 3.5 x 9.5 mm flat-head screws and two 4.2 x 15 mm truss head screws. Tighten to secure.

**For cabinet size - 30" x 18" (76.2 cm x 45.7 cm)**

Assemble the 30" x 6" (76.2 cm x 15.2 cm) face panel rear extension (see the "Assistance or Service" section to order) to the 30" x 12" (76.2 cm x 30.5 cm) face panel (supplied with the range hood) using eight 4.2 x 8 mm screws (supplied with the face panel rear extension).



- A. Screws - 4.2 x 8 mm (8)
- B. Face panel
- C. Face panel rear extension

Attach the 30" x 18" (76.2 cm x 45.7 cm) face panel assembly to the hood liner using four 3.5 x 9.5 mm flat-head screws and two 4.2 x 15 mm truss head screws. Tighten to secure.

**For cabinet size - 36" x 18" (91.4 cm x 45.7 cm)**

Attach the 36" x 18" (91.4 cm x 45.7 cm) face panel (see the "Assistance or Service" section to order) to the hood liner using four 3.5 x 9.5 mm flat-head screws and two 4.2 x 15 mm truss head screws. Tighten to secure.

Connect the lamp electrical connector.

## Connect the Vent System

### Vented Installations

- Connect the vent system to the range hood vent opening. Seal the connection with clamps.

### Non-Vented (recirculating) Installations

- Connect the vent system to the range hood vent opening. Seal the connection with clamps.
- Install vent cover.
- Install charcoal filters. See the "Range Hood Care" section. To order replacement kits, see the "Assistance or Service" section.

## Complete Installation

- Replace grease filters. See the "Range Hood Care" section.

### ⚠ WARNING



#### Electrical Shock Hazard

**Plug into a grounded 3 prong outlet.**

**Do not remove ground prong.**

**Do not use an adapter.**

**Do not use an extension cord.**

**Failure to follow these instructions can result in death, fire, or electrical shock.**

- Plug 3-prong power cord into a grounded 3-prong outlet located inside the cabinet above the range hood.
- Check the operation of the range hood fan and light. See "Range Hood Use" section.

If range hood does not operate, check to see whether a circuit breaker has tripped or a household fuse has blown. Disconnect power and check wiring connections.

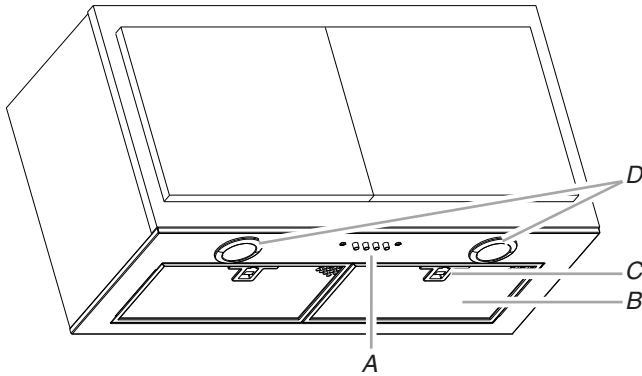
**NOTE:** To get the most efficient use from your new range hood, read the "Range Hood Use" section.

- Install the cabinet doors to the cabinet. Use the assembly instructions that come with the cabinet.

# RANGE HOOD USE

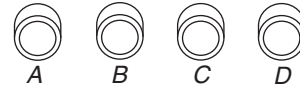
The range hood is designed to remove smoke, cooking vapors and odors from the cooktop area. For best results, start the hood before cooking and allow it to operate several minutes after the cooking is complete to clear all smoke and odors from the kitchen.

The hood controls are located on the center of the front of the range hood liner.



- A. Blower and light controls
- B. Grease filter
- C. Grease filter handle
- D. Halogen lamp housings

## Range Hood Controls



- A. On/Off light button
- B. Blower off and speed minimum button
- C. Blower speed medium button
- D. Blower speed maximum button

### Operating the Light

The On/Off light button controls all lights. Press once for On and again for Off.

### Operating the Blower

The Blower Speed buttons turn the blower on and control the blower speed and sound level for quiet operation. The speed can be changed anytime during fan operation by pressing the desired blower speed button.

Press the Blower Off button a second time to turn off the blower.

# RANGE HOOD CARE

## Cleaning

**IMPORTANT:** Clean the hood and grease filters frequently according to the following instructions. Replace grease filters before operating hood.

### Exterior Surfaces:

To avoid damage to the exterior surface, do not use steel wool or soap-filled scouring pads.

Always wipe dry to avoid water marks.

### Cleaning Method:

- Liquid detergent soap and water, or all-purpose cleanser
- Wipe with damp soft cloth or nonabrasive sponge, then rinse with clean water and wipe dry.

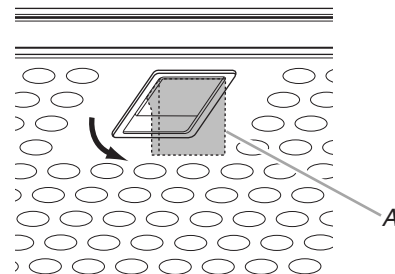
### Metal Grease Filter

The filters should be washed frequently. Place metal filters in dishwasher or hot detergent solution to clean.

Let filter dry thoroughly before replacing it.

Turn off fan and lights. Allow halogen lamp to cool.

1. Remove each filter by pulling the spring release handle and then pulling down the filter.



A. Spring release handle

2. Wash metal filters as needed in dishwasher or hot detergent solution.
3. Reinstall the filter by making sure the spring release handles are toward the front. Insert metal grease filter into upper track.
4. Pull the spring release handle down.
5. Push up on metal filter and release handle to latch into place.
6. Repeat steps 1-5 for the other filter.

---

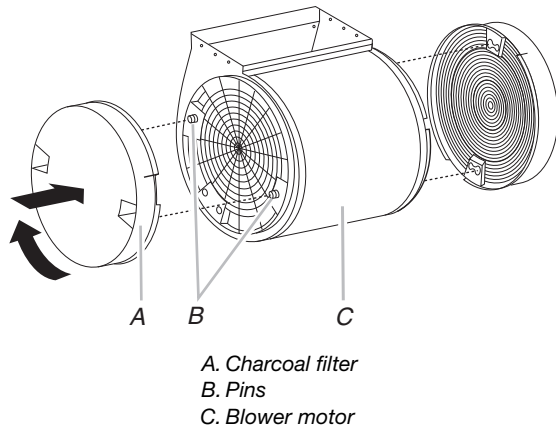
## Non-Vented (recirculating) Installation Filters

---

The charcoal filter is not washable. It should last up to 6 months with normal use. Replace with Charcoal Filter Kit Number W10272068.

### To replace charcoal filter:

1. Cover the grille that covers the blower motor with the charcoal filter so that the slots on the filter correspond to the pins on the sides of the motor grille.



2. Turn the charcoal filter clockwise to lock it.
3. Repeat steps 1-2 on the other filter.

---

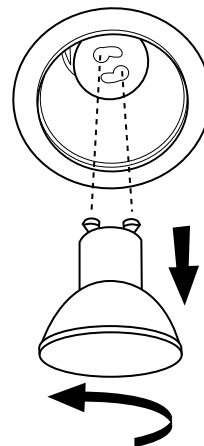
## Replacing a Halogen Lamp

---

Turn off the range hood and allow the halogen lamp to cool. To avoid damage or decreasing the life of the new bulb, do not touch bulb with bare fingers. Replace bulb, using tissue or wearing cotton gloves to handle bulb.

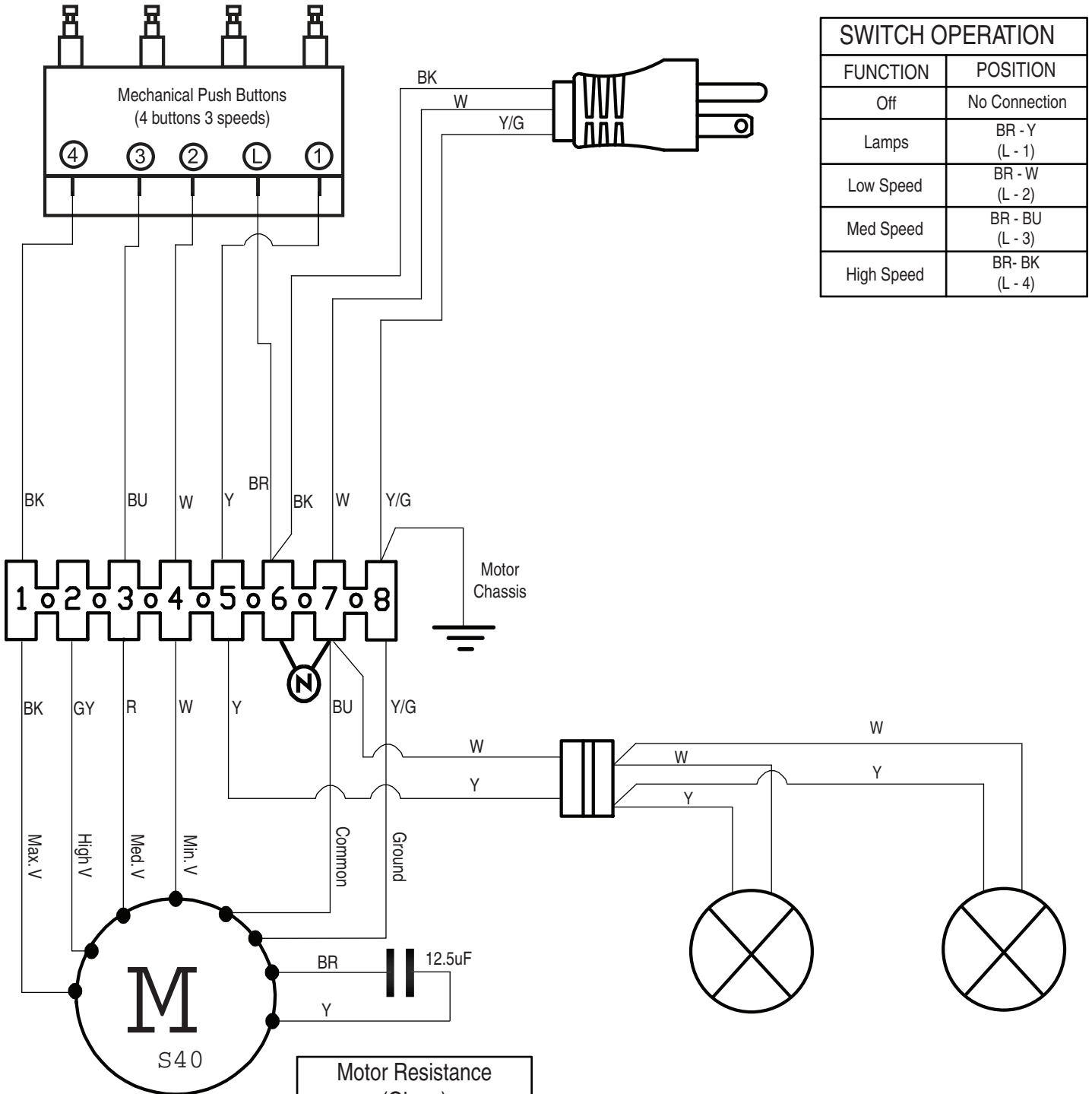
If new lamps do not operate, make sure the lamps are inserted correctly before calling service.

1. Disconnect power.
2. Push up on the lens and turn it counterclockwise.



3. Remove the bulb and replace it with a 120-volt, 50-watt maximum halogen bulb with a GU10 base. Turn it clockwise to lock it into place.
4. Repeat steps 2-3 for the other bulb if needed.
5. Reconnect power.

# WIRING DIAGRAM



SWITCH OPERATION	
FUNCTION	POSITION
Off	No Connection
Lamps	BR - Y (L - 1)
Low Speed	BR - W (L - 2)
Med Speed	BR - BU (L - 3)
High Speed	BR - BK (L - 4)

Motor Characteristics	
Power Supply	120 V
Frequency	60 Hz
Power Absorption	240 W

Motor Resistance (Ohms)	
BU/BK	28.8
BU/GY	30.3
BU/R	37.7
BU/W	45.1
Room Temp.	73.4°F (23°C)

**SE13BC**

---

# ASSISTANCE OR SERVICE

---

When calling for assistance or service, please know the purchase date and the complete model and serial number of your appliance. This information will help us to better respond to your request.

## If you need replacement parts

If you need to order replacement parts, we recommend that you use only factory specified parts. Factory specified parts will fit right and work right because they are made with the same precision used to build every new appliance. To locate factory specified replacement parts in your area, call us or your nearest designated service center.

---

## In the U.S.A.

Call the Whirlpool Customer eXperience Center toll free: **1-800-253-1301** or visit [www.whirlpool.com](http://www.whirlpool.com).

### Our consultants provide assistance with:

- Features and specifications on our full line of appliances.
- Installation information.
- Use and maintenance procedures.
- Accessory and repair parts sales.
- Specialized customer assistance (Spanish speaking, hearing impaired, limited vision, etc.).
- Referrals to local dealers, repair parts distributors and service companies. Whirlpool designated service technicians are trained to fulfill the product warranty and provide after-warranty service, anywhere in the United States.

To locate the Whirlpool designated service company in your area, you can also look in your telephone directory Yellow Pages.

### For further assistance

If you need further assistance, you can write to Whirlpool Corporation with any questions or concerns at:

Whirlpool Brand Home Appliances  
Customer eXperience Center  
553 Benson Road  
Benton Harbor, MI 49022-2692

Please include a daytime phone number in your correspondence.

---

## In Canada

Call the Whirlpool Canada LP Customer eXperience Centre toll free: **1-800-807-6777**.

### Our consultants provide assistance with:

- Features and specifications on our full line of appliances.
- Use and maintenance procedures.
- Accessory and repair parts sales.
- Referrals to local dealers, repair parts distributors, and service companies. Whirlpool Canada LP designated service technicians are trained to fulfill the product warranty and provide after-warranty service, anywhere in Canada.

### For further assistance

If you need further assistance, you can write to Whirlpool Canada LP with any questions or concerns at:

Customer eXperience Centre  
Whirlpool Canada LP  
200 - 6750 Century Ave.  
Mississauga, Ontario L5N 0B7

Please include a daytime phone number in your correspondence.

---

## Accessories

### Recirculation Kit

(for non-vented installations only)  
Order Part Number W10490330

### Replacement Charcoal Filters

(for non-vented installations only)  
Order Part Number W10272068

### Face Panel Rear Extension

(for 30" x 18" [76.2 cm x 45.7 cm] cabinet)  
Order Part Number W10490327

### Face Panel

(for 36" x 18" [91.4 cm x 45.7 cm] cabinet)  
Order Part Number W10490310

---

# WHIRLPOOL CORPORATION MAJOR APPLIANCE WARRANTY

---

## ONE YEAR LIMITED WARRANTY

For one year from the date of purchase, when this major appliance is installed, operated and maintained according to instructions attached to or furnished with the product, Whirlpool Corporation or Whirlpool Canada LP (hereafter "Whirlpool") will pay for Factory Specified Parts and repair labor to correct defects in materials or workmanship that existed when this major appliance was purchased or at its sole discretion replace the product. If replaced, the product will be covered by the remaining one-year limited warranty of the original unit.

YOUR SOLE AND EXCLUSIVE REMEDY UNDER THIS LIMITED WARRANTY SHALL BE PRODUCT REPAIR AS PROVIDED HEREIN. Service must be provided by a Whirlpool designated service company. This limited warranty is valid only in the United States or Canada and applies only when the major appliance is used in the country in which it was purchased. Outside the 50 United States and Canada, this limited warranty does not apply. This limited warranty is effective from the date of original consumer purchase. Proof of original purchase date is required to obtain service under this limited warranty.

---

## ITEMS EXCLUDED FROM WARRANTY

### This limited warranty does not cover:

1. Service calls to correct the installation of your major appliance, to instruct you on how to use your major appliance, to replace or repair house fuses, or to correct house wiring or plumbing.
2. Service calls to repair or replace appliance light bulbs, air filters or water filters. Consumable parts are excluded from warranty coverage.
3. Repairs when your major appliance is used for other than normal, single-family household use or when it is used in a manner that is contrary to published user or operator instructions and/or installation instructions.
4. Damage resulting from accident, alteration, misuse, abuse, fire, flood, acts of God, improper installation, installation not in accordance with electrical or plumbing codes, or use of consumables or cleaning products not approved by Whirlpool.
5. Cosmetic damage, including scratches, dents, chips or other damage to the finish of your major appliance, unless such damage results from defects in materials or workmanship and is reported to Whirlpool within 30 days from the date of purchase.
6. Any food loss due to refrigerator or freezer product failures.
7. Costs associated with the removal from your home of your major appliance for repairs. This major appliance is designed to be repaired in the home and only in-home service is covered by this warranty.
8. Repairs to parts or systems resulting from unauthorized modifications made to the appliance.
9. Expenses for travel and transportation for product service if your major appliance is located in a remote area where service by an authorized Whirlpool servicer is not available.
10. The removal and reinstallation of your major appliance if it is installed in an inaccessible location or is not installed in accordance with published installation instructions.
11. Major appliances with original model/serial numbers that have been removed, altered or cannot be easily determined. This warranty is void if the factory applied serial number has been altered or removed from your major appliance.
12. Removal or replacement of trim, decorative panels, flooring, cabinetry, islands, countertops, drywall or other built-in fixtures that interfere with servicing, removal or replacement of the product.

**The cost of repair or replacement under these excluded circumstances shall be borne by the customer.**

---

## DISCLAIMER OF IMPLIED WARRANTIES

IMPLIED WARRANTIES, INCLUDING ANY IMPLIED WARRANTY OF MERCHANTABILITY OR IMPLIED WARRANTY OF FITNESS FOR A PARTICULAR PURPOSE, ARE LIMITED TO ONE YEAR OR THE SHORTEST PERIOD ALLOWED BY LAW. Some states and provinces do not allow limitations on the duration of implied warranties of merchantability or fitness, so this limitation may not apply to you. This warranty gives you specific legal rights, and you also may have other rights that vary from state to state or province to province.

---

## DISCLAIMER OF REPRESENTATIONS OUTSIDE OF WARRANTY

Whirlpool makes no representations about the quality, durability, or need for service or repair of this major appliance other than the representations contained in this warranty. If you want a longer or more comprehensive warranty than the limited warranty that comes with this major appliance, you should ask Whirlpool or your retailer about buying an extended warranty.

---

## LIMITATION OF REMEDIES; EXCLUSION OF INCIDENTAL AND CONSEQUENTIAL DAMAGES

YOUR SOLE AND EXCLUSIVE REMEDY UNDER THIS LIMITED WARRANTY SHALL BE PRODUCT REPAIR AS PROVIDED HEREIN. WHIRLPOOL SHALL NOT BE LIABLE FOR INCIDENTAL OR CONSEQUENTIAL DAMAGES. Some states and provinces do not allow the exclusion or limitation of incidental or consequential damages, so these limitations and exclusions may not apply to you. This warranty gives you specific legal rights, and you also may have other rights that vary from state to state or province to province.

---

If outside the 50 United States and Canada, contact your authorized Whirlpool dealer to determine if another warranty applies.

If you need service, first see the "Troubleshooting" section of the Use & Care Guide. After checking "Troubleshooting," you may find additional help by checking the "Assistance or Service" section or by calling Whirlpool. In the U.S.A., call **1-800-253-1301**. In Canada, call **1-800-807-6777**.

6/13

---

**Keep this book and your sales slip together for future reference. You must provide proof of purchase or installation date for in-warranty service.**

Write down the following information about your major appliance to better help you obtain assistance or service if you ever need it. You will need to know your complete model number and serial number. You can find this information on the model and serial number label located on the product.

Dealer name \_\_\_\_\_  
Address \_\_\_\_\_  
Phone number \_\_\_\_\_  
Model number \_\_\_\_\_  
Serial number \_\_\_\_\_  
Purchase date \_\_\_\_\_



# SÉCURITÉ DE LA HOTTE DE CUISINIÈRE

## Votre sécurité et celle des autres est très importante.

Nous donnons de nombreux messages de sécurité importants dans ce manuel et sur votre appareil ménager. Assurez-vous de toujours lire tous les messages de sécurité et de vous y conformer.



Voici le symbole d'alerte de sécurité.

Ce symbole d'alerte de sécurité vous signale les dangers potentiels de décès et de blessures graves à vous et à d'autres.

Tous les messages de sécurité suivront le symbole d'alerte de sécurité et le mot "DANGER" ou "AVERTISSEMENT". Ces mots signifient :

**⚠ DANGER**

**Risque possible de décès ou de blessure grave si vous ne suivez pas immédiatement les instructions.**

**⚠ AVERTISSEMENT**

**Risque possible de décès ou de blessure grave si vous ne suivez pas les instructions.**

Tous les messages de sécurité vous diront quel est le danger potentiel et vous disent comment réduire le risque de blessure et ce qui peut se produire en cas de non-respect des instructions.

Avertissements de la proposition 65 de l'État de Californie :

**AVERTISSEMENT** : Ce produit contient au moins un produit chimique connu par l'État de Californie pour être à l'origine de cancers.

**AVERTISSEMENT** : Ce produit contient au moins un produit chimique connu par l'État de Californie pour être à l'origine de malformations et autres déficiences de naissance.

# IMPORTANTES INSTRUCTIONS DE SÉCURITÉ

**AVERTISSEMENT : POUR RÉDUIRE LE RISQUE D'INCENDIE, CHOC ÉLECTRIQUE OU DOMMAGES CORPORELS, RESPECTER LES INSTRUCTIONS SUIVANTES :**

- Utiliser cet appareil uniquement dans les applications envisagées par le fabricant. Pour toute question, contacter le fabricant.
- Avant d'entreprendre un travail d'entretien ou de nettoyage, interrompre l'alimentation de la hotte au niveau du tableau de disjoncteurs, et verrouiller le tableau de disjoncteurs pour empêcher tout rétablissement accidentel de l'alimentation du circuit. Lorsqu'il n'est pas possible de verrouiller le tableau de disjoncteurs, placer sur le tableau de disjoncteurs une étiquette d'avertissement proéminente interdisant le rétablissement de l'alimentation.
- Tout travail d'installation ou câblage électrique doit être réalisé par une personne qualifiée, dans le respect des prescriptions de tous les codes et normes applicables, y compris les codes du bâtiment et de protection contre les incendies.
- Ne pas faire fonctionner un ventilateur dont le cordon ou la fiche est endommagé(e). Jeter le ventilateur ou le retourner à un centre de service agréé pour examen et/ou réparation.
- Une source d'air de débit suffisant est nécessaire pour le fonctionnement correct de tout appareil à gaz (combustion et évacuation des gaz à combustion par la cheminée), pour qu'il n'y ait pas de reflux des gaz de combustion. Respecter les directives du fabricant de l'équipement de chauffage et les prescriptions des normes de sécurité - comme celles publiées par la National Fire Protection Association (NFPA) et l'American Society for Heating, Refrigeration and Air Conditioning Engineers (ASHRAE), et les prescriptions des autorités réglementaires locales.
- Lors d'opérations de découpage et de perçage dans un mur ou un plafond, veiller à ne pas endommager les câblages électriques ou canalisations qui peuvent s'y trouver.
- Les ventilateurs d'évacuation doivent toujours décharger l'air à l'extérieur.

**MISE EN GARDE :** Cet appareil est conçu uniquement pour la ventilation générale. Ne pas l'utiliser pour l'extraction de matières ou vapeurs dangereuses ou explosives.

**MISE EN GARDE :** Pour minimiser le risque d'incendie et évacuer adéquatement les gaz, veiller à acheminer l'air aspiré par un conduit jusqu'à l'extérieur - ne pas décharger l'air aspiré dans un espace vide du bâtiment comme une cavité murale, un plafond, un grenier, un vide sanitaire ou un garage.

**AVERTISSEMENT : POUR RÉDUIRE LE RISQUE D'INCENDIE, UTILISER UNIQUEMENT DES CONDUITS MÉTALLIQUES.**

**AVERTISSEMENT : POUR MINIMISER LE RISQUE D'UN FEU DE GRAISSE SUR LA CUISINIÈRE :**

- Ne jamais laisser un élément de surface fonctionner à puissance de chauffage maximale sans surveillance. Un renversement/débordement de matière grasseuse pourrait provoquer une inflammation et la génération de fumée. Utiliser une puissance de chauffage moyenne ou basse pour le chauffage d'huile.
- Veiller à toujours faire fonctionner le ventilateur de la hotte lors de la cuisson avec une puissance de chauffage élevée ou lors de la cuisson d'un mets à flamber (à savoir crêpes Suzette, cerise jubilé, steak au poivre flambé).
- Nettoyer fréquemment les ventilateurs d'extraction. Veiller à ne pas laisser la graisse s'accumuler sur les surfaces du ventilateur ou des filtres.
- Utiliser toujours un ustensile de taille appropriée. Utiliser toujours un ustensile adapté à la taille de l'élément chauffant.

**AVERTISSEMENT : POUR RÉDUIRE LE RISQUE DE DOMMAGES CORPORELS APRÈS LE DÉCLENCHEMENT D'UN FEU DE GRAISSE SUR LA CUISINIÈRE, APPLIQUER LES RECOMMANDATIONS SUIVANTES :<sup>a</sup>**

- Placer sur le récipient un couvercle bien ajusté, une tôle à biscuits ou un plateau métallique **POUR ÉTOUFFER LES FLAMMES**, puis éteindre le brûleur. **VEILLER À ÉVITER LES BRÛLURES**. Si les flammes ne s'éteignent pas immédiatement, **ÉVACUER LA PIÈCE ET APPELER LES POMPIERS**.
- **NE JAMAIS PRENDRE EN MAIN UN RÉCIPENT ENFLAMMÉ** - vous risquez de vous brûler.
- **NE PAS UTILISER D'EAU**, ni un torchon humide - ceci pourrait provoquer une explosion de vapeur brûlante.
- Utiliser un extincteur **SEULEMENT** si :
  - Il s'agit d'un extincteur de classe ABC, dont on connaît le fonctionnement.
  - Il s'agit d'un petit feu encore limité à l'endroit où il s'est déclaré.
  - Les pompiers ont été contactés.
  - Il est possible de garder le dos orienté vers une sortie pendant l'opération de lutte contre le feu.

<sup>a</sup>Recommandations tirées des conseils de sécurité en cas d'incendie de cuisine publiés par la NFPA.

- **AVERTISSEMENT :** Pour réduire le risque d'incendie ou de choc électrique, ne pas utiliser ce ventilateur avec un quelconque dispositif de réglage de la vitesse à semi-conducteurs.

## LIRE ET CONSERVER CES INSTRUCTIONS

# EXIGENCES D'INSTALLATION

## Outils et pièces

Rassembler les outils et pièces nécessaires avant d'entreprendre l'installation. Lire et observer les instructions fournies avec chacun des outils de la liste ci-dessous.

### Outils nécessaires

- Niveau
- Perceuse
- Foret de 1/8" (3 mm)
- Crayon
- Pince
- Mètre-ruban ou règle
- Pistolet à calfeutrage et composé de calfeutrage résistant aux intempéries
- Tournevis Phillips
- Tournevis à lame plate
- Scie sauteuse ou scie à guichet
- Brides de conduit
- Cisaille de ferblantier

### Pièces nécessaires

- Système de conduit d'évacuation métallique rond de 6" (15,2 cm)

### Pour les installations avec décharge à l'extérieur, il faudra aussi :

- 1 bouche de décharge (décharge à travers le mur ou à travers le toit)

### Pour les installations sans décharge à l'extérieur (recyclage), il faudra aussi :

- Ensemble de recyclage - Commander la pièce numéro W10490330. Voir la section "Assistance ou service" pour commander.

### Pièces fournies

Retirer les pièces de leur emballage. Vérifier que toutes les pièces sont présentes.

- Clapet anti-retour
- Sachet de quincaillerie. Comprend :
  - Instructions d'installation et Guide d'utilisation et d'entretien
  - 2 brides de montage
  - 6 cales d'espacement
  - 10 vis à bois de 4,5 x 13 mm
  - 2 vis à métaux de 4,2 x 15 mm
  - 4 vis de ferblantier à tête plate de 3,5 x 9,5 mm
  - 8 vis de ferblantier de 4,2 x 19 mm
  - 2 vis de ferblantier de 3,5 x 9,5 mm
  - 1 - panneau de surface de 30" x 12" (76,2 x 30,5 cm)
  - 2 filtres à graisse métalliques
  - Adaptateur T10 TORX<sup>†</sup>
  - 8 - rondelles métalliques
  - 8 - rondelles en plastique

## Exigences d'emplacement

**IMPORTANT :** Observer les dispositions de tous les codes et règlements en vigueur.

Confier l'installation de la hotte à un technicien qualifié. C'est à l'installateur qu'incombe la responsabilité de respecter les distances de séparation exigées, spécifiées sur la plaque signalétique de l'appareil. La plaque signalétique de l'appareil est située derrière le filtre, sur la paroi arrière gauche de la hotte.

Installer la hotte de cuisinière à distance de toute zone exposée à des courants d'air, comme fenêtres, portes et bouches de chauffage.

Respecter les dimensions indiquées pour les ouvertures à découper dans les placards. Ces dimensions tiennent compte des valeurs minimales des dégagements de séparation. Avant d'effectuer des découpages, consulter les instructions d'installation de la table de cuisson/cuisinière.

Il est recommandé d'utiliser cette hotte avec une table de cuisson dont la puissance totale ne dépasse pas 65 000 BTU.

On doit disposer d'une prise de courant électrique reliée à la terre. Voir la section "Spécifications électriques".

La hotte a été configurée à l'usine pour une installation avec décharge à l'extérieur à travers le toit ou le mur. Pour une installation sans décharge à l'extérieur (recyclage), voir "Installation sans décharge à l'extérieur (recyclage) à travers le soffite/placard", à la section "Préparation de l'emplacement". L'ensemble de recyclage (pièce numéro W10490330) est disponible chez votre marchand ou chez un distributeur de pièces autorisé.

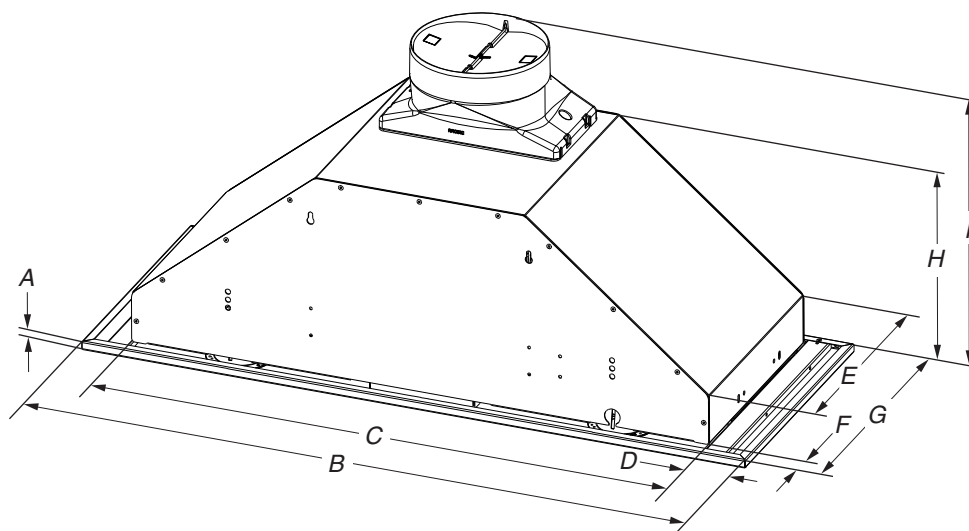
Assurer l'étanchéité au niveau de chaque ouverture découpée dans le plafond ou le mur pour l'installation de la hotte de cuisinière.

### Installation dans une résidence mobile

L'installation de cette hotte doit satisfaire aux exigences de la norme Manufactured Home Construction Safety Standards, Titre 24 CFR, partie 328 (anciennement Federal Standard for Mobile Home Construction and Safety, titre 24, HUD, partie 280); lorsque cette norme n'est pas applicable, l'installation doit satisfaire aux critères de la plus récente édition de la norme Manufactured Home Installation 1982 (Manufactured Home Sites, Communities and Setups) ANSI A225.1/NFPA 501A, ou des codes locaux.

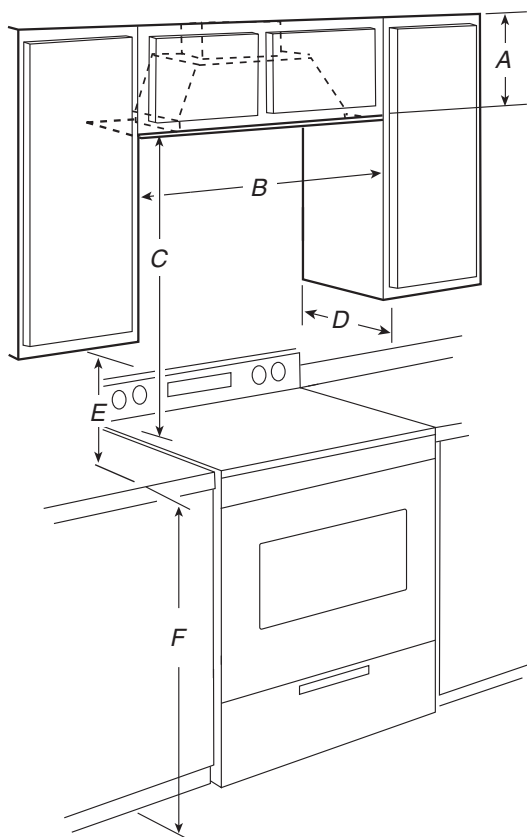
<sup>†</sup>TORX est une marque déposée de Saturn Fasteners, Inc.

## Dimensions du produit



A. $\frac{3}{8}$ " (1,0 cm)	D. 2" (5,1 cm) ou 5" (12,7 cm)	G. $11\frac{7}{8}$ " (30,2 cm) ou $17\frac{7}{8}$ " (45,4 cm)
B. 30" (76,2 cm) ou 36" (91,4 cm)	E. $10\frac{3}{4}$ " (27,4 cm)	H. $9\frac{1}{8}$ " (23,1 cm)
C. 26" (66,1 cm)	F. $\frac{3}{4}$ " (1,9 cm)	I. $13\frac{5}{8}$ " (33,7 cm)

## Dimensions du placard



A. Hauteur minimale de placard 12" (30,5 cm)	D. Profondeur de placard de 12" (30,5 cm)*
B. Largeur de l'ouverture de placard 30" (76,2 cm) ou 36" (91,4 cm) min.*	E. Dégagement min. entre le haut du placard et le plan de travail de 15" (38,1 cm)
C. Distance suggérée du bas du placard à la surface de cuisson 24" (61 cm) min. 36" (91,4 cm) max.	F. Hauteur de placard sur plancher de 36" (91,4 cm)

**\*REMARQUE :** Des placards de 30" (76,2 cm) de largeur peuvent posséder une profondeur de 12" (30,5 cm) ou 18" (45,7 cm).

Des placards de 36" (91,4 cm) de largeur nécessitent une profondeur de 18" (45,7 cm).

Pour des placards de 18" (45,7 cm) de profondeur, il faudra acheter séparément une "Plaque d'extension arrière pour panneau avant" (de 30" [76,2 cm]) ou un "Panneau avant" (de 36" [91,4 cm]). Voir la section "Assistance ou service" pour commander.

## Exigences concernant l'évacuation (modèles avec décharge à l'extérieur uniquement)

- Le circuit d'évacuation doit décharger l'air à l'extérieur, excepté pour les installations sans décharge à l'extérieur (recyclage).
- Ne pas terminer le circuit d'évacuation dans un grenier ou dans un autre espace clos.
- Ne pas utiliser une bouche de décharge murale de 4" (10,2 cm) normalement utilisée pour un équipement de buanderie.
- Utiliser un conduit métallique uniquement. Un conduit en métal rigide est recommandé. Ne pas utiliser de conduit de plastique ou en aluminium.
- La longueur du conduit de décharge et le nombre de coudes doivent être réduits au minimum pour fournir la meilleure performance.

### Pour un fonctionnement efficace et silencieux :

- Ne pas utiliser plus de trois coudes à 90°.
- Veiller à ce qu'il y ait une section droite de conduit d'un minimum de 24" (61 cm) entre les raccords coudés, si on doit en utiliser plus d'un.
- Ne pas installer 2 coudes successifs.
- Le circuit d'évacuation doit comporter un clapet anti-reflux.
- Au niveau de chaque jointure du circuit d'évacuation, assurer l'étanchéité avec les brides de serrage.
- À l'aide d'un produit de calfeutrage, assurer l'étanchéité autour de la bouche de décharge à l'extérieur (à travers le mur ou le toit).
- La taille du conduit doit être uniforme.

## Installations pour régions à climat froid

On doit installer un clapet anti-retour supplémentaire à l'arrière pour minimiser le reflux d'air froid et incorporer un élément d'isolation thermique pour minimiser la conduction de chaleur par l'intermédiaire du conduit d'évacuation, de l'intérieur de la maison à l'extérieur. Le clapet anti-retour doit être placé du côté air froid de la résistance thermique.

L'élément d'isolation thermique doit être aussi proche que possible de l'endroit où le circuit d'évacuation s'introduit dans la partie chauffée de la maison.

## Air d'appoint

Les codes du bâtiment locaux peuvent exiger l'emploi d'un système de renouvellement de l'air/introduction d'air d'appoint, lors de l'utilisation d'un système d'aspiration de débit supérieur à une valeur (pieds cubes par minute) spécifiée. Le débit spécifié en pieds cubes par minute varie d'une juridiction à l'autre. Consulter un professionnel des installations de chauffage ventilation/climatisation au sujet des exigences spécifiques applicables dans la juridiction locale.

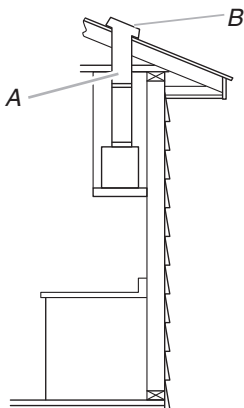
## Méthodes d'évacuation

Cette hotte a été configurée à l'usine pour la décharge à travers le toit ou à travers le mur.

Le système de décharge requis pour l'installation n'est pas fourni.

Un circuit d'évacuation avec conduit circulaire de 6" (15,2 cm) est recommandé.

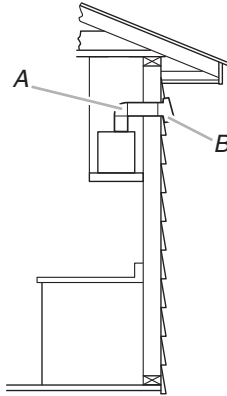
### Décharge à travers le toit



A. Conduit de dia. 6" (15,2 cm) pour décharge à travers le toit

B. Bouche de décharge sur toit

### Évacuation par le mur



A. Conduit de dia. 6" (15,2 cm) pour décharge à travers le mur

B. Bouche de décharge murale

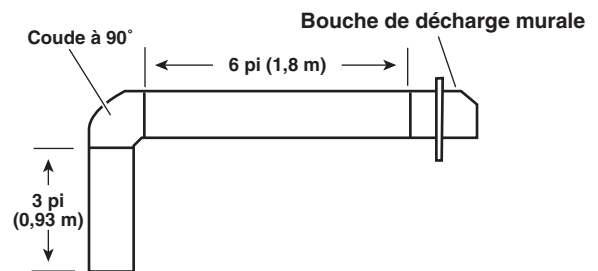
## Calcul de la longueur effective du circuit d'évacuation

Pour la réalisation du circuit d'évacuation, on recommande un conduit de 6" (15,2 cm) de diamètre avec une longueur maximale de 35 pi (10,7 m). Pour une performance optimale, ne pas utiliser plus de trois coudes à 90°.

Pour calculer la longueur effective du circuit d'évacuation nécessaire, additionner les longueurs équivalentes (en pieds/mètres) de tous les composants utilisés dans le circuit.

Composant	6" (15,2 cm)	
Coude à 45°	2,5 pi (0,8 m)	
Coude à 90°	5,0 pi (1,5 m)	

## Exemple de circuit d'évacuation - 6" (15,2 cm)



**Longueur maximum = 35 pi (10,7 m)**

1 coude à 90° = 5 pi (1,5 m)

1 bouche de décharge murale = 0 pi (0 m)

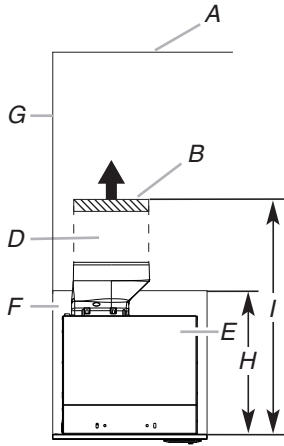
Section droite de 9 pi (2,8 m) = 9 pi (2,8 m)

Longueur totale = 14 pi (4,3 m)

## Installation sans décharge à l'extérieur (recyclage) à travers le soffite/placard

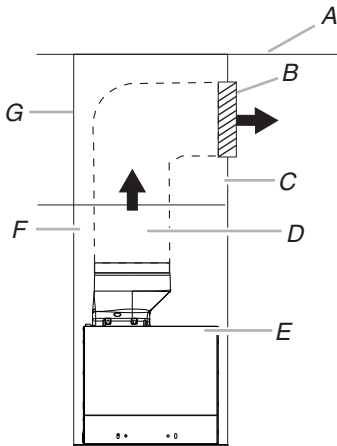
S'il n'est pas possible d'évacuer les fumées et vapeurs de cuisson à l'extérieur, on peut employer la version sans décharge à l'extérieur (recyclage) de la hotte, dotée d'un filtre à charbon. Ensemble de filtres à charbon (pièce numéro W10272068) est disponible chez votre marchand ou chez un distributeur de pièces autorisé.

### À travers le placard



- A. Plafond
- B. Cache-conduit
- C. Soffite
- D. Évent de 6" (15,2 cm)
- E. Hotte de cuisinière

### À travers le soffite



- F. Placard
- G. Mur
- H. Hauteur du placard de 12" (30,5 cm)
- I. Hauteur de cache-conduit de 17" (43,2 cm)

**REMARQUE :** Pour des placards de 12" (30,5 cm) de hauteur qui ne comportent pas de soffite, le conduit et le cache-conduit de 6" (15,2 cm) peuvent rester visibles.

## Spécifications électriques

### ⚠ AVERTISSEMENT



#### Risque de choc électrique

**Brancher sur une prise à 3 alvéoles reliée à la terre.**

**Ne pas enlever la broche de liaison à la terre.**

**Ne pas utiliser un adaptateur.**

**Ne pas utiliser un câble de rallonge.**

**Le non-respect de ces instructions peut causer un décès, un incendie ou un choc électrique.**

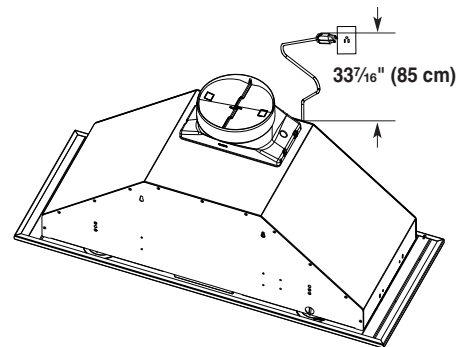
**IMPORTANT :** La hotte doit être correctement reliée à la terre en conformité avec les codes et règlements locaux en vigueur, ou en l'absence de tels codes, avec le National Electrical Code, ANSI/NFPA 70 (dernière édition) ou le Code canadien des installations électriques, CSA C22.1. No. 0-M91 (dernière édition).

Si les codes le permettent et si on utilise un conducteur distinct de liaison à la terre, il est recommandé qu'un électricien qualifié vérifie la qualité de la liaison à la terre.

Pour obtenir un exemplaire des normes des codes ci-dessus, contacter :

National Fire Protection Association  
1 Batterymarch Park  
Quincy, MA 02169-7471  
CSA International  
8501 East Pleasant Valley Road  
Cleveland, Ohio 44131-5575

- Une alimentation de 120 volts, 60 Hz, CA seulement, de 15 ou 20 ampères, protégée par un fusible est requise. On recommande également d'utiliser un fusible ou un disjoncteur temporisé. Il est recommandé de raccorder la hotte sur un circuit distinct exclusif à cet appareil.
- Cette hotte est équipée d'un cordon d'alimentation électrique de liaison à la terre à trois broches.
- Pour minimiser les risques de choc électrique, on doit brancher le cordon sur une prise de courant de configuration correspondante, à 3 alvéoles, reliée à la terre et installée conformément aux codes et règlements locaux. Si une prise de courant de configuration correspondante n'est pas disponible, le client a la responsabilité et l'obligation de faire installer par un électricien qualifié une prise de courant correctement reliée à la terre.
- La prise à 3 broches reliée à la terre doit se trouver dans un placard situé au-dessus de la hotte, à une distance maximale de  $33\frac{7}{16}$ " (85,0 cm) à partir du point duquel le cordon d'alimentation sort de la hotte. La prise à 3 broches reliée à la terre doit être accessible une fois la hotte installée. Voir l'illustration.



### INSTRUCTIONS DE MISE À LA TERRE

- Pour une hotte reliée à la terre et connectée par un cordon : Cette hotte doit être reliée à la terre. Au cas où un court-circuit se produirait, la liaison à la terre réduit le risque de choc électrique, en permettant au courant de s'échapper directement vers la terre. La hotte est équipée d'un cordon comportant un conducteur de liaison à la terre avec fiche de liaison à la terre. La fiche doit être branchée dans une prise correctement installée et reliée à la terre.

**AVERTISSEMENT :** Une mise à la terre incorrecte peut entraîner un risque de choc électrique.

Consulter un électricien qualifié si les instructions de mise à la terre ne sont pas complètement comprises, ou si vous avez des doutes quant à la qualité de la liaison à la terre de la hotte.

Ne pas utiliser de câble de rallonge. Si le cordon d'alimentation électrique est trop court, faire installer une prise près de la hotte par un électricien qualifié.

**CONSERVEZ CES INSTRUCTIONS**

# INSTRUCTIONS D'INSTALLATION

## Préparation de l'emplacement

- Il est recommandé que l'installation du circuit d'évacuation soit réalisée avant celle de la hotte.
  - Avant de procéder aux découpes, vérifier que les distances de séparation pour les raccords dans les cavités du plafond ou du mur sont adéquates.
  - Avant de monter le placard au mur, il sera peut-être plus facile de découper au préalable l'ouverture dans le fond du placard.
1. Déconnecter la source de courant électrique.
  2. Déterminer la méthode d'évacuation à utiliser : décharge à travers le mur ou le toit, ou recyclage.
  3. Choisir une surface plane pour l'assemblage de la hotte. Placer le matériau de protection sur cette surface.

### **⚠ AVERTISSEMENT**

#### Risque du poids excessif

Utiliser deux ou plus de personnes pour déplacer et installer la hotte de la cuisinière.

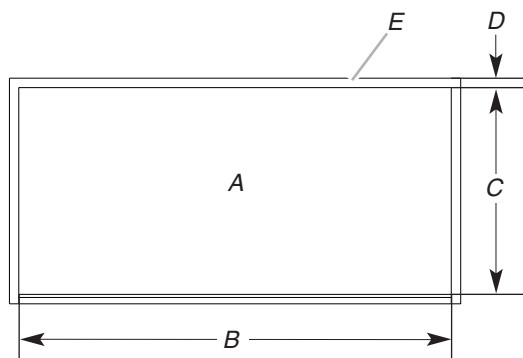
Le non-respect de cette instruction peut causer une blessure au dos ou d'autre blessure.

4. À l'aide de deux personnes ou plus, soulever la hotte et la poser sur la surface couverte.

### Ouverture découpée du placard pour la hotte

1. Utiliser une scie sauteuse ou scie à guichet pour découper une ouverture dans le fond du placard, à l'intérieur du cadre du placard.

**REMARQUE :** Pour les placards sans cadres, un rebord avant et arrière de  $\frac{3}{4}$ " (1,9 cm) est nécessaire pour former un cadre dans le fond du placard. Une tringle d'appui de  $\frac{3}{4}$ " (1,9 cm) d'épaisseur (non fournie) sera peut-être nécessaire pour certains types de placards. (Voir l'étape 3 de la section "Installation de la hotte".)



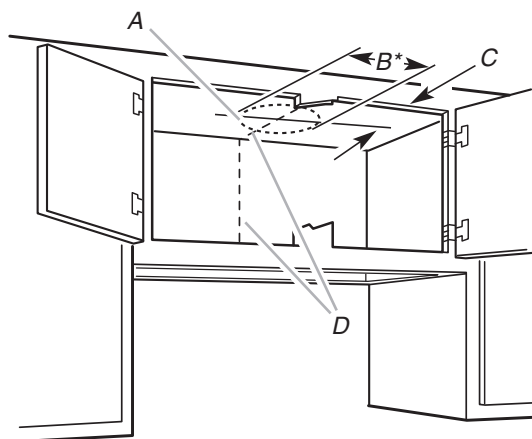
- A. Ouverture dans le fond du placard
- B. Le découpage du fond du placard doit être en affleurement avec les parois internes du placard.
- C.  $10\frac{7}{8}$ " (27,6 cm) min. depuis l'intérieur de la partie avant du placard
- D. Épaisseur de  $\frac{3}{4}$ " (1,9 cm) obligatoire pour le fond du placard.
- E. Avant du placard

2. Terminer la préparation du placard conformément aux instructions correspondant au type d'évacuation du domicile. Déterminer l'emplacement des ouvertures d'aération et découper les ouvertures dans les placards, les murs et/ou les soffites.

### Décharge à l'extérieur, à travers le toit

Relever les mesures appropriées et tracer les lignes indiquées sur l'illustration. Utiliser une scie sauteuse ou une scie à guichet pour découper une ouverture à travers le sommet du placard et le toit pour l'évacuation.

Passer à l'étape 3.

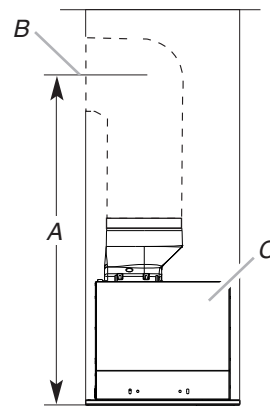


- A. Ouverture
- B.  $6\frac{1}{4}$ " (15,9 cm)\*
- C.  $7\frac{3}{4}$ " (19,7 cm) entre l'axe central et l'avant du placard
- D. Axe central

**\*REMARQUE :** Pour les placards d'une hauteur de 12" (30,5 cm), une ouverture rectangulaire de  $6\frac{1}{4}$ " de profondeur x 8" de largeur (14,6 cm x 20,3 cm) dans le sommet du placard est obligatoire pour établir le dégagement nécessaire au raccord de transition du clapet anti-reflux.

### Décharge à l'extérieur, à travers le mur

Fixer le raccord de transition du conduit de 6" (15,2 cm) au sommet de la caisse de la hotte à l'aide de deux vis de 3,5 x 9,5 mm. Assembler le conduit d'évacuation qui sera utilisé sur le raccord de transition du conduit de 6" (15,2 cm). Mesurer la distance entre le bas de la caisse de la hotte et l'axe central horizontal de l'ouverture d'évacuation (A).

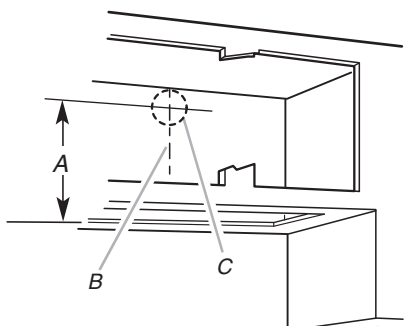


- A. Mesure A
- B. Axe central horizontal de l'ouverture d'évacuation
- C. Caisse de la hotte

Retirer le conduit d'évacuation de la caisse de la hotte.

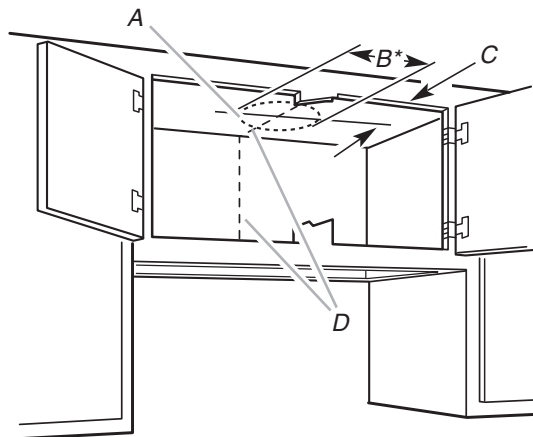
Reporter la dimension A sur la paroi arrière du placard. Prendre les mesures à partir de la face inférieure du placard. Marquer le périmètre de l'ouverture à découper – voir l'illustration. Utiliser une scie sauteuse ou une scie à guichet pour découper une ouverture circulaire à travers l'arrière du placard et le mur extérieur pour l'évacuation.

Passer à l'étape 3.



A. Mesure A  
B. Axe central  
C. Ouverture découpée circulaire de 6¼" (15,9 cm)

Relever les mesures appropriées et tracer l'axe central de l'ouverture, dans le sommet du placard. Utiliser une scie sauteuse ou scie à guichet pour découper une ouverture pour le passage du conduit d'évacuation.

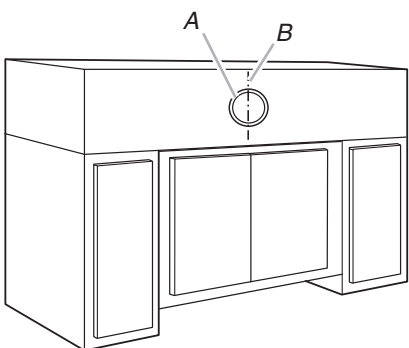


A. Ouverture  
B. \*Voir le tableau ci-dessous.  
C. 7¾" (19,7 cm) entre l'axe central et l'avant du placard  
D. Axe central

### Installation sans décharge à l'extérieur (recyclage) à travers le soffite/placard

Relever les mesures appropriées et tracer l'axe central du placard jusqu'au soffite situé au-dessus.

Mesurer la distance entre le bas du placard et l'axe central, au point où le conduit d'évacuation ressort du soffite. Indiquer l'emplacement et utiliser une scie sauteuse ou scie à guichet pour découper un trou de 5¾" (14,6 cm) pour le cache-conduit.



A. Cache-conduit  
B. Axe central

Hauteur du placard	Taille et forme du trou
12" (30,5 cm)	Une ouverture rectangulaire de 6¼" de profondeur x 8" de largeur (15,9 cm x 20,3 cm) dans le sommet du placard est obligatoire pour établir le dégagement nécessaire au clapet anti-reflux.
15" (38,1 cm) - Installation dans placard ou soffite	Une ouverture circulaire de 6¼" (15,9 cm) de diamètre est nécessaire.
18" (45,7 cm) ou 24" (61 cm)	Une ouverture circulaire de 5¾" (14,6 cm) de diamètre est nécessaire.

Pour les installations sans décharge à l'extérieur (recyclage) uniquement, la hotte a été configurée peut être installée avec décharge à l'intérieur du domicile, à travers le sommet du placard.

Pour une installation sans décharge à l'extérieur (recyclage), l'installation de filtres à charbon est nécessaire. Voir la section "Entretien de la hotte" pour des instructions sur l'installation de filtres au charbon.

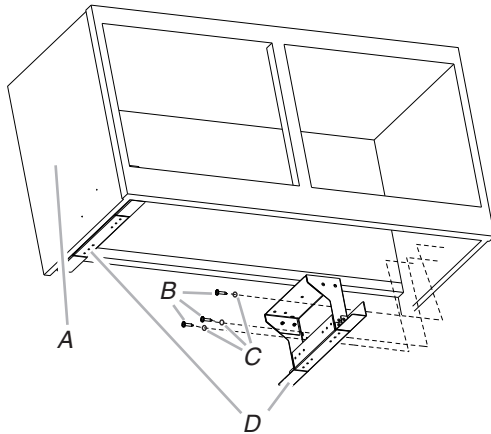
On doit utiliser l'ensemble de recyclage pièce numéro W10490330.



## Achever la préparation

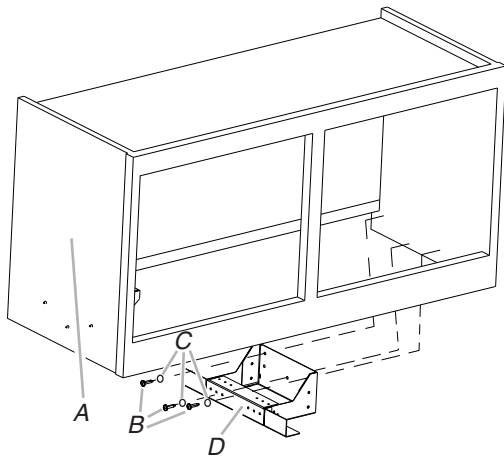
3. S'il n'est pas encore fixé, installer le raccord de transition de 6" (15,2 cm) au sommet de la caisse de la hotte à l'aide de deux vis de 3,5 x 9,5 mm.
4. Repérer l'emplacement de la bride latérale de montage, en affleurement avec le bas de la paroi latérale du placard et contre la face avant du placard. Orienter la bride en fonction de la largeur du placard, tel que décrit dans les schémas ci-dessous. Percer des avant-trous de 1/8" (3 mm) en 6 points différents et fixer une bride à l'aide de trois vis de 4,5 x 13 mm de chaque côté du placard - serrer ensuite. Des rondelles supplémentaires sont fournies dans le sachet de quincaillerie pour être utilisées comme cales pour les parois de placard dont l'épaisseur est inférieure à 1/2" (13 mm).

### Orientation de la bride pour un placard de 30" (76,2 cm)



- A. Placard de 30" (76,2 cm)
- B. Vis de 4,5 x 13 mm (6)
- C. Rondelles (facultatif)
- D. Bride de montage (2) (position pour un placard de 30" [76,2 cm])

### Orientation de la bride pour un placard de 36" (91,4 cm)



- A. Placard de 36" (91,4 cm)
- B. Vis de 4,5 x 13 mm (6)
- C. Rondelles (facultatif)
- D. Bride de montage (2) (position pour un placard de 36" [91,4 cm])

5. Installer le circuit d'évacuation selon la méthode requise. Utiliser un calfeutrant pour assurer l'étanchéité au point de traversée du mur extérieur ou du toit.

## Installation de la hotte

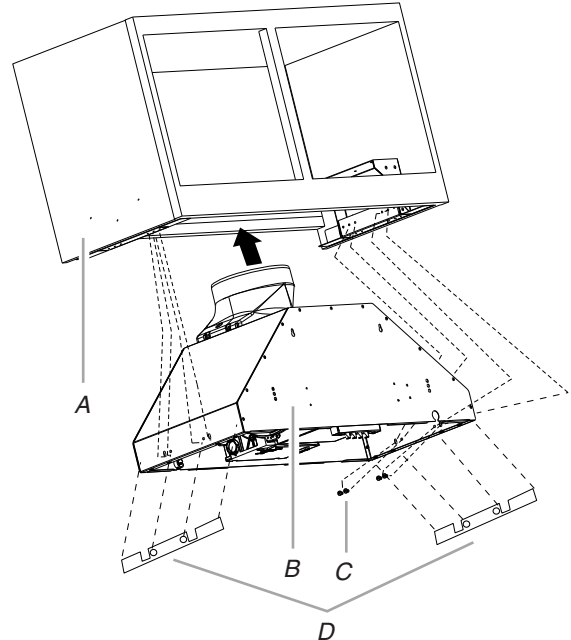
### ⚠ AVERTISSEMENT

#### Risque du poids excessif

Utiliser deux ou plus de personnes pour déplacer et installer la hotte de la cuisinière.

Le non-respect de cette instruction peut causer une blessure au dos ou d'autre blessure.

1. À l'aide d'au moins 2 personnes, soulever la caisse de la hotte et l'installer. Fixer quatre vis de 4,2 x 19 mm dans les encoches. Ne pas serrer les vis.

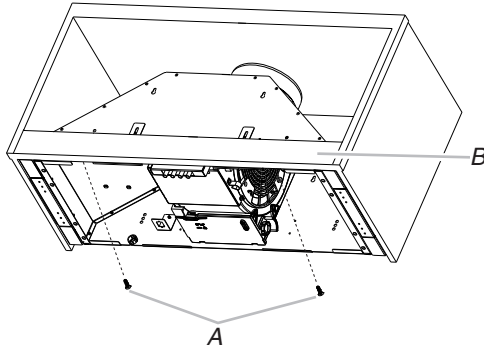


- A. Placard
- B. Auvent de la hotte
- C. Vis de 4,2 x 19 mm (8)
- D. Cales - Facultatives

2. Au besoin, insérer des cales de chaque côté de l'auvent et de la plaque de montage pour permettre le dégagement nécessaire et centrer l'auvent dans le placard. Aligner la base de l'auvent avec le bas du placard. Installer quatre vis de 4,2 x 19 mm dans les trous de la plaque de montage et serrer les 8 vis de montage.

### 3. (Pour certaines installations) :

Une tringle d'appui peut être nécessaire pour certains placards. Installer une tringle d'appui et la fixer avec deux vis de 4,5 x 13 mm à partir de l'intérieur de la caisse de hotte.

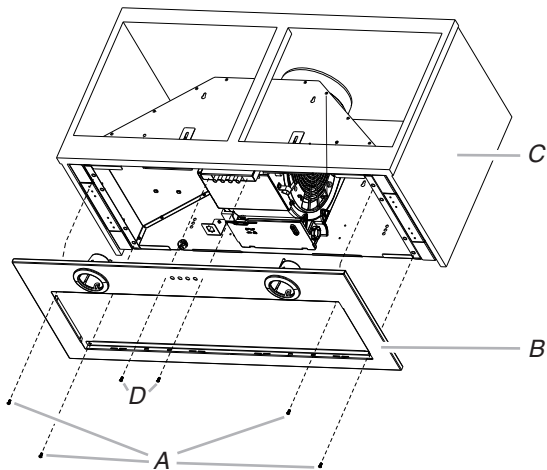


A. Vis - 4,5 x 13 mm  
B. Tringle d'appui

4. Ôter les filtres à graisse métalliques du panneau avant. Voir la section "Entretien de la hotte".

5. Fixer le panneau avant à la caisse de hotte. (3 tailles, la taille de placard illustrée correspond à une dimension de 30" x 12" [76,2 cm x 30,5 cm].)

Voir les instructions données en fonction de la taille du placard de l'utilisateur (ci-dessous).



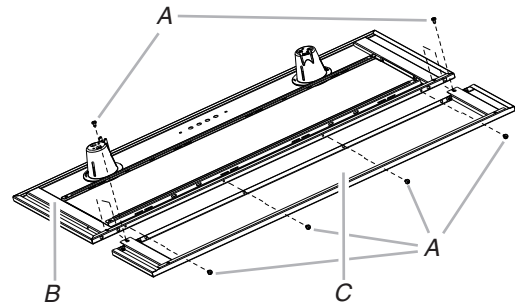
A. Vis à tête plate de 3,5 x 9,5 mm (4)  
B. Plaque avant (illustration 30" x 12" [76,2 cm x 30,5 cm])  
C. Placard (illustration 30" x 12" [76,2 cm x 30,5 cm])  
D. Vis à tête bombée de 4,2 x 15 mm (2)

### Pour taille de placard - 30" x 12" (76,2 cm x 30,5 cm)

Fixer le panneau avant de 30" x 12" (76,2 cm x 30,5 cm) (fourni avec la hotte) à la caisse de la hotte à l'aide de quatre vis à tête plate de 3,5 x 9,5 mm et deux vis à tête bombée de 4,2 x 15 mm. Serrer pour fixer l'ensemble.

### Pour taille de placard - 30" x 18" (76,2 cm x 45,7 cm)

Assembler la plaque d'extension arrière pour panneau avant de 30" x 6" (76,2 cm x 15,2 cm) (voir la section "Assistance ou Service" pour commander) au panneau avant de 30" x 12" (76,2 cm x 30,5 cm) (fourni avec la hotte) à l'aide des huit vis de 4,2 x 8 mm (fournies avec la plaque d'extension arrière pour panneau avant).



A. Vis de 4,2 x 8 mm (8)  
B. Panneau avant  
C. Plaque d'extension arrière pour panneau avant

Fixer le panneau avant de 30" x 18" (76,2 cm x 45,7 cm) à la caisse de la hotte à l'aide de quatre vis à tête plate de 3,5 x 9,5 mm et deux vis à tête bombée de 4,2 x 15 mm. Serrer pour fixer l'ensemble.

### Pour taille de placard - 36" x 18" (91,4 cm x 45,7 cm)

Fixer le panneau avant de 36" x 18" (91,4 cm x 45,7 cm) (voir la section "Assistance ou Service" pour commander) à la caisse de hotte à l'aide de quatre vis à tête plate de 3,5 x 9,5 mm et de deux vis à tête bombée de 4,2 x 15 mm. Serrer pour fixer l'ensemble.

Raccorder le connecteur des lampes.

## Raccordement du circuit d'évacuation

### Installations avec décharge à l'extérieur

1. Connecter le circuit d'évacuation sur l'ouverture de décharge de la hotte. Serrer le point de connexion avec des brides.

### Installation sans décharge à l'extérieur (recyclage)

1. Connecter le circuit d'évacuation sur l'ouverture de décharge de la hotte. Serrer le point de connexion avec des brides.
2. Installer le cache-conduit.
3. Installer les filtres à charbon. Voir la section "Entretien de la hotte".

Pour commander des ensembles de rechange, voir la section "Assistance ou service".

## Achever l'installation

1. Réinstaller les filtres à graisse. Voir la section "Entretien de la hotte".

### **⚠ AVERTISSEMENT**



#### Risque de choc électrique

**Brancher sur une prise à 3 alvéoles reliée à la terre.**

**Ne pas enlever la broche de liaison à la terre.**

**Ne pas utiliser un adaptateur.**

**Ne pas utiliser un câble de rallonge.**

**Le non-respect de ces instructions peut causer un décès, un incendie ou un choc électrique.**

2. Brancher le cordon d'alimentation à 3 broches dans la prise à 3 alvéoles reliée à la terre située dans le placard qui se trouve au-dessus de la hotte.
3. Contrôler le fonctionnement du ventilateur de la hotte et de la lampe. Voir la section "Utilisation de la hotte".  
Si la hotte ne fonctionne pas, déterminer si un disjoncteur s'est ouvert ou si un fusible du domicile est grillé. Déconnecter la source de courant électrique et inspecter les connexions du câblage.

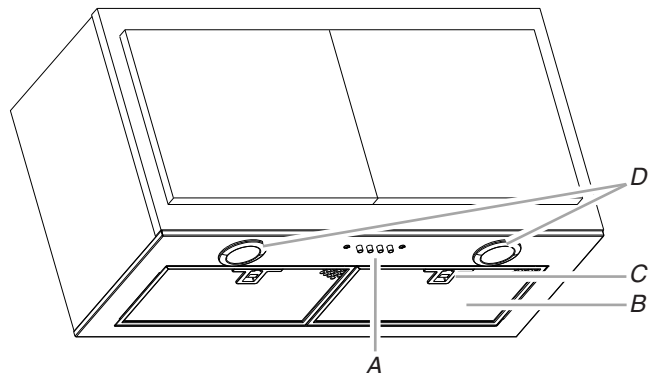
**REMARQUE :** Pour pouvoir tirer le plus grand parti de la nouvelle hotte de cuisinière, lire la section "Utilisation de la hotte".

4. Fixer les portes du placard au placard. Utiliser les instructions d'assemblage fournies avec le placard.

## UTILISATION DE LA HOTTE

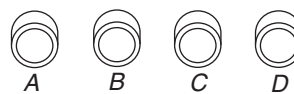
La hotte de cuisinière est conçue pour extraire fumée, vapeurs de cuisson et odeurs de la zone de la table de cuisson. Pour obtenir les meilleurs résultats, mettre le ventilateur de la hotte en marche avant d'entreprendre une cuisson, et la laisser fonctionner pendant plusieurs minutes après l'achèvement d'une cuisson pour pouvoir évacuer de la cuisine toute trace d'odeur de cuisson, vapeur ou fumée.

Les commandes de la hotte sont situées sur l'avant-centre de la caisse de hotte.



- A. Commandes du ventilateur et de l'éclairage
- B. Filtre à graisse
- C. Poignée du filtre à graisse
- D. Logements des lampes à halogène

## Commandes de la hotte de cuisinière



- A. Bouton d'éclairage On/Off (marche/arrêt)
- B. Bouton de vitesse minimale et d'arrêt du ventilateur
- C. Bouton de vitesse moyenne du ventilateur
- D. Bouton de vitesse maximale du ventilateur

### Utilisation de la lampe

Le bouton d'éclairage On/Off contrôle toutes les lampes. Appuyer une fois pour On (marche) et une deuxième fois pour Off (arrêt).

### Utilisation du ventilateur

Les boutons Blower Speed (vitesse du ventilateur) activent le ventilateur et contrôlent la vitesse du ventilateur et le niveau sonore pour un fonctionnement silencieux. On peut modifier la vitesse à tout moment pendant le fonctionnement du ventilateur en appuyant sur le bouton de vitesse du ventilateur souhaité.

Appuyer une deuxième fois sur le bouton Blower Off (arrêt ventilateur) pour éteindre le ventilateur.

## ENTRETIEN DE LA HOTTE

### Nettoyage

**IMPORTANT :** Nettoyer fréquemment la hotte et les filtres à graisse en suivant les instructions suivantes. Réinstaller les filtres à graisse avant de faire fonctionner la hotte.

#### Surfaces externes :

Afin d'éviter d'endommager la surface externe, ne pas utiliser de tampons en laine d'acier ou de tampons à récurer savonneux.

Toujours essuyer pour éviter de laisser des marques d'eau.

#### Méthode de nettoyage :

- Savon détergent liquide et eau, ou produit de nettoyage polyvalent.
- Frotter avec un chiffon doux humide ou une éponge non abrasive, puis rincer avec de l'eau propre et essuyer.

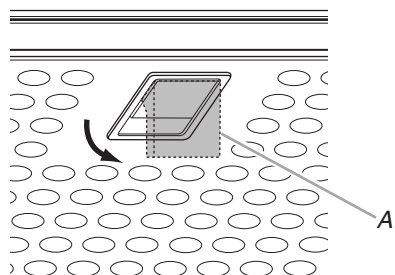
### Filtre à graisse métallique

Les filtres doivent être lavés fréquemment. Placer les filtres métalliques dans un lave-vaisselle ou une solution de détergent chaude.

Laisser sécher le filtre complètement avant de le réinstaller.

Éteindre le ventilateur et les lampes. Laisser refroidir la lampe à halogène.

1. Retirer chaque filtre en tirant sur la poignée à ressort, puis en tirant le filtre vers le bas.



A. Poignée à ressort

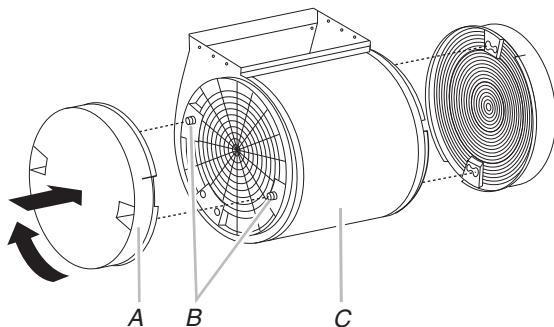
2. Laver les filtres métalliques selon le besoin au lave-vaisselle ou avec une solution de détergent chaude.
3. Réinstaller le filtre en s'assurant que les poignées à ressort sont orientées vers l'avant. Insérer le filtre à graisse métallique dans la rainure supérieure.
4. Tirer vers le bas la poignée à ressort.
5. Pousser le filtre métallique vers le haut et relâcher la poignée pour l'emboîter.
6. Répéter les étapes 1 à 5 pour l'autre filtre.

### Filtres d'installation sans décharge à l'extérieur (recyclage)

Le filtre à charbon n'est pas lavable. Celui-ci devrait durer pendant six mois dans des conditions d'utilisation normales. Remplacer par l'ensemble de filtres à charbon numéro W10272068.

#### Remplacement du filtre à charbon :

1. Placer le filtre à charbon sur la grille protégeant le moteur du ventilateur de façon à ce que les encoches du filtre correspondent aux tiges situées sur les côtés de la grille de protection du moteur.



A. Filtre à charbon  
B. Tiges  
C. Moteur du ventilateur

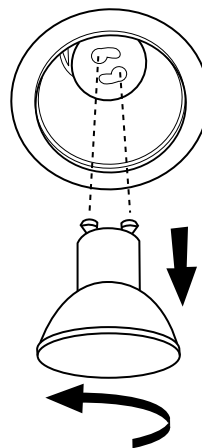
2. Faire pivoter le filtre à charbon dans le sens horaire pour l'emboîter.
3. Répéter les étapes 1 à 2 pour l'autre filtre.

### Remplacement d'une lampe à halogène

Interrompre l'alimentation de la hotte; attendre le refroidissement de la lampe à halogène. Pour éviter d'endommager ou de réduire la longévité de l'ampoule neuve, ne pas toucher l'ampoule avec les doigts nus. Remplacer l'ampoule en la manipulant avec un mouchoir de papier ou des gants de coton.

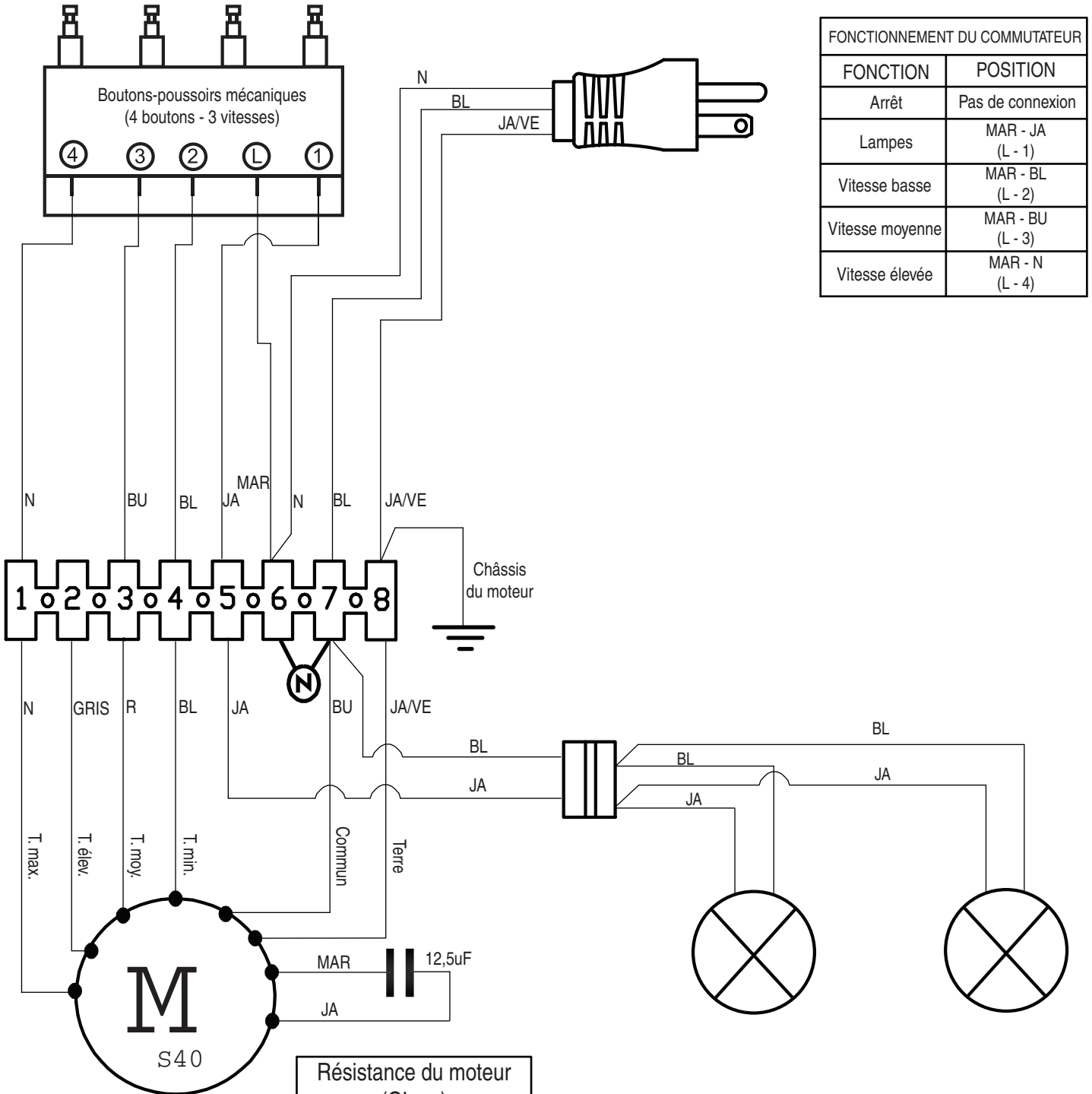
Si les nouvelles lampes ne fonctionnent pas, vérifier que chaque lampe est correctement insérée dans sa douille avant de demander l'intervention d'un réparateur.

1. Déconnecter la source de courant électrique.
2. Pousser la plaque de verre vers le haut et la tourner dans le sens antihoraire.



3. Retirer l'ampoule et la remplacer par une ampoule halogène de 120 volts, 50 watts maximum avec culot GU10. La tourner dans le sens horaire pour l'emboîter.
4. Répéter les étapes 2 à 3 pour l'autre ampoule, si nécessaire.
5. Reconnecter la source de courant électrique.

# SCHÉMAS DE CÂBLAGE



FONCTIONNEMENT DU COMMUTATEUR	
FONCTION	POSITION
Arrêt	Pas de connexion
Lampes	MAR - JA (L - 1)
Vitesse basse	MAR - BL (L - 2)
Vitesse moyenne	MAR - BU (L - 3)
Vitesse élevée	MAR - N (L - 4)

Caractéristiques du moteur	
Alimentation électrique	120 V
Fréquence	60 Hz
Absorption de courant	240 W

Résistance du moteur (Ohms)	
BU/N	28,8
BU/GRIS	30,3
BU/R	37,7
BU/BL	45,1
Temp. ambiante	73,4°F (23°C)

**SE13BC**

---

# ASSISTANCE OU SERVICE

Lors d'un appel pour assistance ou service, veuillez connaître la date d'achat, le numéro de modèle et le numéro de série complets de l'appareil. Ces renseignements nous aideront à mieux répondre à votre demande.

## Si vous avez besoin de pièces de rechange

Si vous avez besoin de commander des pièces de rechange, nous vous recommandons d'employer uniquement les pièces spécifiées par l'usine. Les pièces spécifiées par l'usine conviendront et fonctionneront bien parce qu'elles sont fabriquées avec la même précision utilisée dans la fabrication de chaque nouvel appareil. Pour localiser les pièces spécifiées par l'usine dans votre région, nous appeler ou téléphoner au centre de service désigné le plus proche.

---

## Au Canada

Veuillez appeler sans frais le Centre pour l'eXpérience de la clientèle de Whirlpool Canada LP au : **1-800-807-6777**.

## Nos consultants vous renseigneront sur les sujets suivants :

- Caractéristiques et spécifications sur toute notre gamme d'appareils électroménagers.
- Consignes d'utilisation et d'entretien.
- Ventes d'accessoires et de pièces de rechange.
- Références aux marchands locaux, aux distributeurs de pièces de rechange et aux compagnies de service. Les techniciens de service désignés par Whirlpool Canada LP sont formés pour remplir la garantie des produits et fournir un service après la garantie, partout au Canada.

## Pour plus d'assistance

Si vous avez besoin de plus d'assistance, vous pouvez soumettre par écrit toute question ou préoccupation à Whirlpool Canada LP à l'adresse suivante :

Whirlpool Canada LP  
Centre pour l'eXpérience de la clientèle  
200 - 6750 Century Ave.  
Mississauga, Ontario L5N 0B7

Veuillez inclure dans votre correspondance un numéro de téléphone où l'on peut vous joindre dans la journée.

---

## Accessoires

### Ensemble de recyclage

(pour installations sans décharge à l'extérieur uniquement)

Commander la pièce numéro W10490330

### Filtres à charbon de rechange

(pour installations sans décharge à l'extérieur uniquement)

Commander la pièce numéro W10272068

### Plaque d'extension arrière pour panneau avant

(pour placard de 30" x 18" [76,2 cm x 45,7 cm])

Commander la pièce numéro W10490327

### Panneau avant

(pour placard de 36" x 18" [91,4 cm x 45,7 cm])

Commander la pièce numéro W10490310

---

# GARANTIE DE GROS APPAREIL MÉNAGER WHIRLPOOL CORPORATION

---

## GARANTIE LIMITÉE DE UN AN

Pendant un an à compter de la date d'achat, lorsque ce gros appareil ménager est installé, utilisé et entretenu conformément aux instructions jointes à ou fournies avec le produit, Whirlpool Corporation ou Whirlpool Canada LP (ci-après désignées "Whirlpool") décidera à sa seule discrétion de remplacer le produit ou de couvrir le coût des pièces spécifiées par l'usine et de la main-d'œuvre nécessaires pour corriger les vices de matériaux ou de fabrication qui existaient déjà lorsque ce gros appareil ménager a été acheté. S'il est remplacé, l'appareil sera couvert pour la période restant à courir de la garantie limitée d'un an du produit d'origine.

LE SEUL ET EXCLUSIF RECOURS DU CLIENT DANS LE CADRE DE LA PRÉSENTE GARANTIE LIMITÉE CONSISTE EN LA RÉPARATION PRÉVUE PAR LA PRÉSENTE. La réparation doit être effectuée par le personnel d'une compagnie de service désignée par Whirlpool. Cette garantie limitée est valide uniquement aux États-Unis ou au Canada et s'applique exclusivement lorsque le gros appareil ménager est utilisé dans le pays où il a été acheté. À l'extérieur des 50 États des États-Unis et du Canada, cette garantie limitée ne s'applique pas. La présente garantie limitée est valable à compter de la date d'achat initial par le consommateur. Une preuve de la date d'achat initial est exigée pour obtenir un dépannage dans le cadre de la présente garantie limitée.

---

## ÉLÉMENTS EXCLUS DE LA GARANTIE

La présente garantie limitée ne couvre pas :

1. Les visites de service pour rectifier l'installation du gros appareil ménager, montrer à l'utilisateur comment utiliser le gros appareil ménager, remplacer ou réparer des fusibles du domicile ou rectifier le câblage ou la plomberie du domicile.
2. Les interventions de dépannage pour réparer ou remplacer les ampoules électriques, les filtres à air ou les filtres à eau de l'appareil. Les pièces consommables ne sont pas couvertes par la garantie.
3. Les réparations lorsque le gros appareil ménager est utilisé à des fins autres que l'usage domestique unifamilial normal ou lorsque les instructions d'installation et/ou les instructions de l'opérateur ou de l'utilisateur fournies ne sont pas respectées.
4. Les dommages résultant des situations suivantes : accident, modification, usage impropre ou abusif, incendie, inondation, actes de Dieu, installation fautive ou installation non conforme aux codes d'électricité ou de plomberie ou l'utilisation de pièces consommables ou de produits de nettoyage non approuvés par Whirlpool.
5. Les défauts d'apparence, notamment les éraflures, traces de choc, fissures ou tout autre dommage subi par le fini du gros appareil ménager, à moins que ces dommages ne résultent de vices de matériaux ou de fabrication et ne soient signalés à Whirlpool dans les 30 jours suivant la date d'achat.
6. Toute perte d'aliments due à une défaillance du réfrigérateur ou du congélateur.
7. Les frais liés au retrait du gros appareil ménager de votre domicile pour toute réparation. Ce gros appareil ménager est conçu pour être réparé à domicile et seule une intervention à domicile est couverte par la présente garantie.
8. Les réparations aux pièces ou systèmes résultant d'une modification non autorisée faite à l'appareil.
9. Les frais de déplacement et de transport pour le service du produit si votre gros appareil est situé dans une région éloignée où un fournisseur de services d'entretien ou de réparation Whirlpool autorisé n'est pas disponible.
10. L'enlèvement et la réinstallation du gros appareil ménager si celui-ci est installé dans un endroit inaccessible ou n'est pas installé conformément aux instructions d'installation fournies.
11. Les gros appareils dont les numéros de série et de modèle originaux ont été enlevés, modifiés ou ne peuvent pas être facilement identifiés. Cette garantie est caduque si le numéro de série fourni par l'usine a été modifié ou retiré du gros appareil.
12. Le retrait ou la réinstallation de garnitures, panneaux décoratifs, plancher, meubles, îlots de cuisine, plans de travail, panneaux de gypse ou autres dispositifs préinstallés qui entravent le dépannage, le retrait ou le remplacement du produit.

**Le coût d'une réparation ou d'un remplacement dans le cadre de ces circonstances exclues est à la charge du client.**

---

## CLAUSE D'EXONÉRATION DE RESPONSABILITÉ AU TITRE DES GARANTIES IMPLICITES

LES GARANTIES IMPLICITES, Y COMPRIS LES GARANTIES APPLICABLES DE QUALITÉ MARCHANDE OU D'APTITUDE À UN USAGE PARTICULIER, SONT LIMITÉES À UN AN OU À LA PLUS COURTE PÉRIODE AUTORISÉE PAR LA LOI. Certains États et provinces ne permettent pas de limitation sur la durée des garanties implicites de qualité marchande ou d'aptitude à un usage particulier, de sorte que la limitation ci-dessus peut ne pas être applicable dans votre cas. Cette garantie vous confère des droits juridiques spécifiques et vous pouvez également jouir d'autres droits qui peuvent varier d'une juridiction à l'autre.

---

## EXONÉRATION DE RESPONSABILITÉ DANS LES DOMAINES NON COUVERTS PAR LA GARANTIE

Whirlpool décline toute responsabilité au titre de la qualité ou de la durabilité de l'appareil, ou en cas de dépannage ou de réparation nécessaire sur ce gros appareil ménager autre que les responsabilités énoncées dans la présente garantie. Si vous souhaitez une garantie plus étendue ou plus complète que la garantie limitée fournie avec ce gros appareil ménager, adressez-vous à Whirlpool ou à votre détaillant pour obtenir les modalités d'achat d'une garantie étendue.

---

## LIMITATION DES RECOURS; EXCLUSION DES DOMMAGES FORTUITS OU INDIRECTS

LE SEUL ET EXCLUSIF RECOURS DU CLIENT DANS LE CADRE DE LA PRÉSENTE GARANTIE LIMITÉE CONSISTE EN LA RÉPARATION PRÉVUE PAR LA PRÉSENTE. WHIRLPOOL N'ASSUME AUCUNE RESPONSABILITÉ POUR LES DOMMAGES FORTUITS OU INDIRECTS. Certains États et certaines provinces ne permettent pas l'exclusion ou la limitation des dommages fortuits ou indirects de sorte que ces limitations et exclusions peuvent ne pas être applicables dans votre cas. Cette garantie vous confère des droits juridiques spécifiques et vous pouvez également jouir d'autres droits qui peuvent varier d'une juridiction à l'autre.

---

Si vous résidez à l'extérieur des 50 États des États-Unis et du Canada, contactez votre marchand Whirlpool autorisé pour déterminer si une autre garantie s'applique.

Pour assistance ou dépannage, voir d'abord la section "Dépannage" du Guide d'utilisation et d'entretien. Après avoir consulté la section "Dépannage", on pourra trouver de l'aide supplémentaire à la section "Assistance ou service" ou en appelant Whirlpool. Aux États-Unis, composer le **1-800-253-1301**. Au Canada, composer le **1-800-807-6777**. 6/13

---

**Conservez ce manuel et votre reçu de vente ensemble pour référence ultérieure. Pour le service sous garantie, vous devez présenter un document prouvant la date d'achat ou d'installation.**

Inscrivez les renseignements suivants au sujet de votre gros appareil ménager pour mieux vous aider à obtenir assistance ou service en cas de besoin. Vous devrez connaître le numéro de modèle et le numéro de série au complet. Vous trouverez ces renseignements sur la plaque signalétique située sur le produit.

Nom du marchand \_\_\_\_\_

Adresse \_\_\_\_\_

Numéro de téléphone \_\_\_\_\_

Numéro de modèle \_\_\_\_\_

Numéro de série \_\_\_\_\_

Date d'achat \_\_\_\_\_