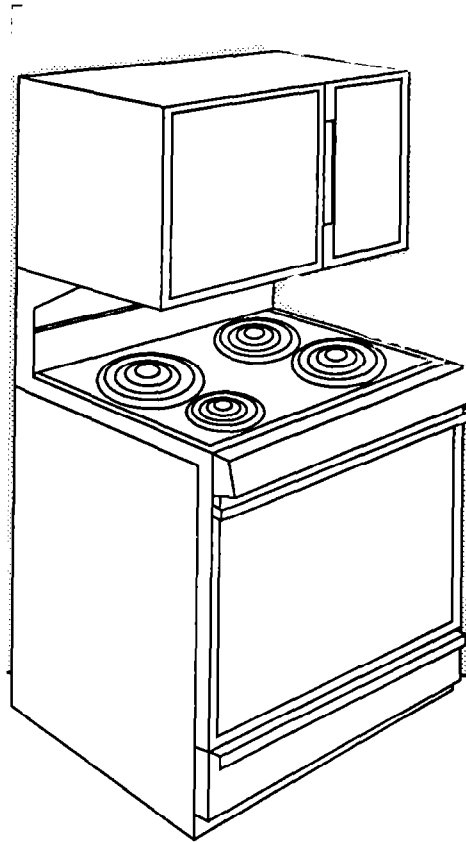


Installation Instructions



Part No. 316003005/4371665 Rev. A

IMPORTANT:
Read and save
these instructions.

IMPORTANT:

Installer: Leave Installation Instructions with the homeowner.

Homeowner: Keep Installation Instructions for future reference.

Save Installation Instructions for local electrical inspector's use.

**30" Electric
Eye-level Range
with Self-cleaning Oven**

Before you start...

Proper installation is your responsibility. Installation and service must be performed by a qualified technician. Make sure you have everything necessary for correct installation. It is the responsibility of the installer to comply with the installation clearances specified on the serial/rating plate. The serial/rating plate is located under the cooktop.

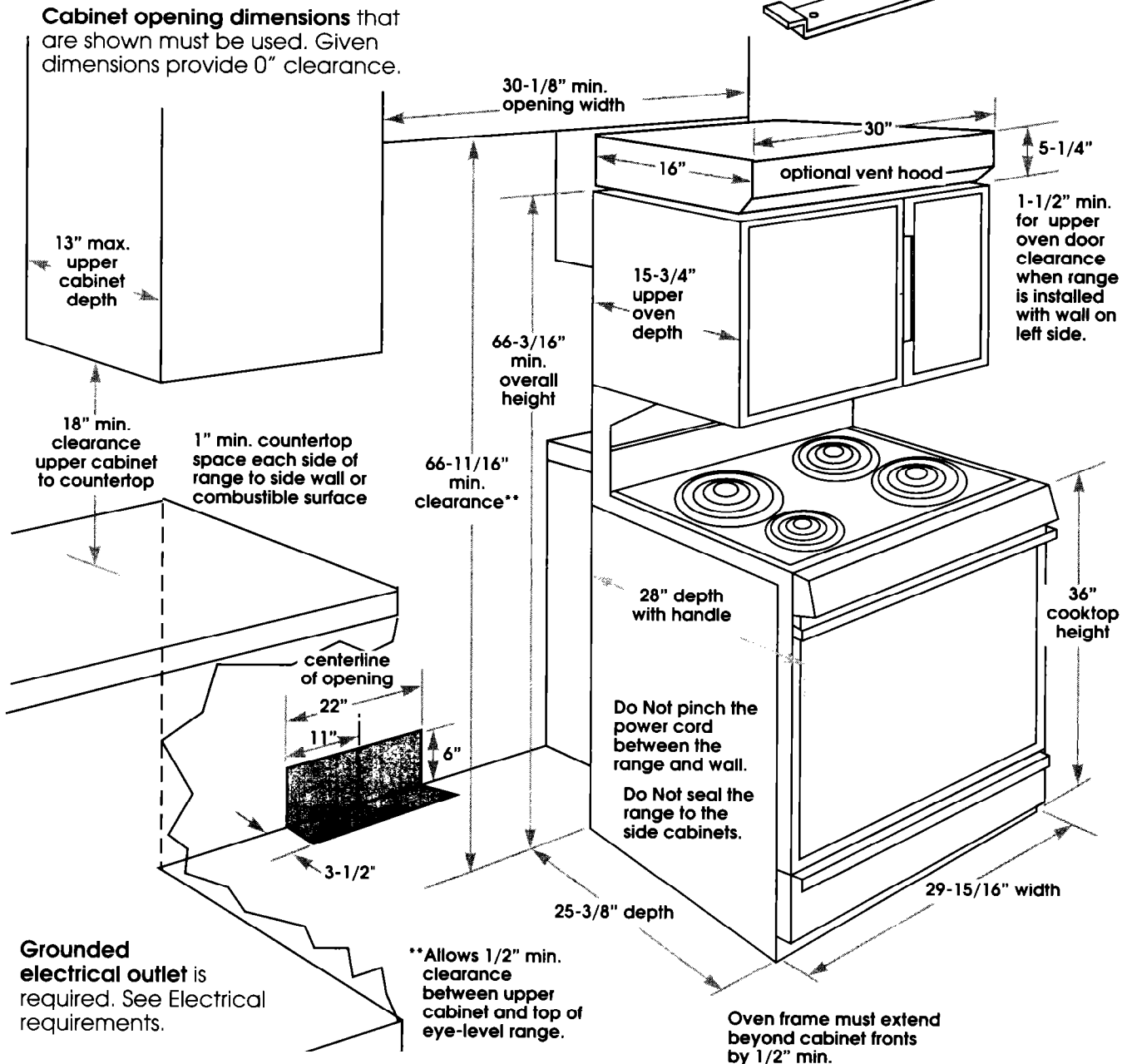
Check location where range will be installed. The location should be away from strong draft areas, such as windows, doors and strong heating vents or fans. The range should be located for convenient use in the kitchen.

Note: Clearances specified are for combustible walls and materials that have a density of 20 or more pounds per cubic foot. No evaluation of clearances has been made for installations adjacent to materials that are less than 20 pounds per cubic foot or to plastic tiles and sheeting.

Important: Observe all governing codes and ordinances.

ALL OPENINGS IN FLOOR OR WALL WHERE RANGE IS TO BE INSTALLED MUST BE SEALED.

The anti-tip bracket must be installed. For detailed instructions, see Panels B and C.



WARNING

Electrical Shock Hazard

It is the customer's responsibility:

- To contact a qualified electrical installer.
 - To assure that the electrical installation is adequate and in conformance with National Electrical Code, ANSI/NFPA 70-latest edition*, and all local codes and ordinances.
- Failure to do so could result in fire, electrical shock or other personal injury.

CAUTION

Property Damage

- Contact a qualified floor covering installer to check that floor covering can withstand heat at least 90°F above room temperature.
 - Use insulated pad or 1/4" plywood under range if installing range over carpeting.
- Failure to do so could result in damage to floor covering.

Mobile home installation

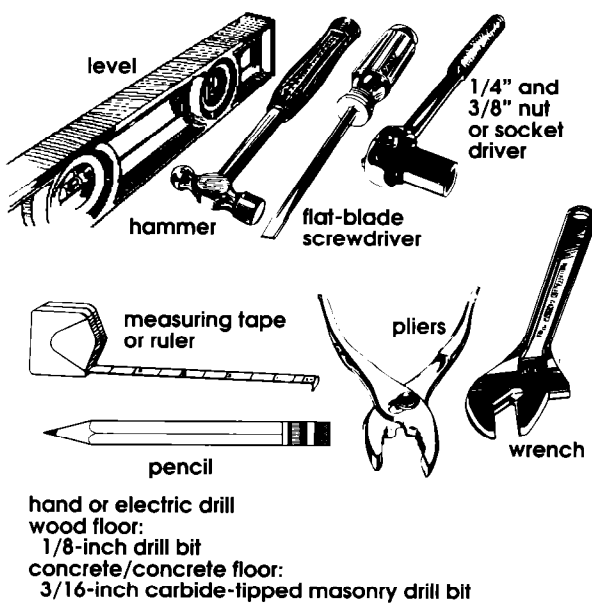
The installation of this range must conform to the Manufactured Home Construction and Safety Standards, Title 24 CFR, Part 3280 (formerly the Federal Standard for Mobile Home Construction and Safety, Title 24, HUD Part 280); or when such standard is not applicable, the Standard for Manufactured Home Installation 1982 (Manufactured Home Sites, Communities and Setups), ANSI Z225.1/NFPA 501A-1987, or latest edition*, or with local codes. When this range is installed in a mobile home, it must be secured to the floor during transit. Any method of securing the range is adequate as long as it conforms to the standards listed above.

Four-wire power supply cable must be used in mobile home installation. The appliance wiring will need to be revised. See Four-wire electrical connection, Panel C.

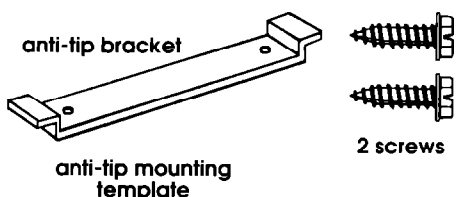
Copies of the standards listed may be obtained from:

* National Fire Protection Association
Battery March Park
Quincy, Massachusetts 02269

Tools needed for installation:



Parts supplied for installation:



Electrical requirements

Save Installation Instructions for the local electrical inspector's use.

A power supply cord is not supplied but is available through local electrical supply house.

WARNING

Electrical Shock Hazard

- Electrical ground is required on this appliance.
 - If cold water pipe is interrupted by plastic, non-metallic gaskets or other insulating materials, Do Not use for grounding.
 - Do Not ground to a gas pipe.
 - Do Not modify the power supply cord plug. If it does not fit the outlet, have a proper outlet installed by a qualified electrician.
 - Do Not have a fuse in the neutral or grounding circuit. A fuse in the neutral or grounding circuit could result in electrical shock.
 - Do Not use an extension cord with this appliance.
 - Check with a qualified electrician if you are in doubt as to whether the appliance is properly grounded.
- Failure to follow these instructions could result in a fire, electrical shock or personal injury.

If codes permit and a separate grounding wire is used, it is recommended that a qualified electrician determine that the grounding path is adequate.

A. A three-wire or a four-wire single phase, 120/240-volt, 60-Hz, AC-only electrical supply (or three-wire or four-wire 120/208-volt if specified on serial/rating plate) is required on a separate 40-ampere circuit, fused on both sides of the line. A time-delay fuse or circuit breaker is recommended.

B. THE RANGE MUST BE CONNECTED WITH COPPER WIRE ONLY.

C. Local codes may permit the use of a U.L.-listed 125/250-volt, 40-ampere range power supply cord (pigtail). This cord contains two No.-8 and one No.-10 copper wires and matches a three-wire receptacle of NEMA Type 10-50R, shown in Figure 1. Connectors on the appliance end must be ring terminals. A U.L.-listed strain relief must be provided at the point the power supply cord enters the appliance.

D. The appliance can be connected directly to the fused disconnect or circuit breaker box through flexible, armored or non-metallic sheathed, copper cable. Allow two or three feet of slack in the line so that it can be moved if servicing is ever necessary.

A U.L.-listed conduit connector must be provided at each end of the power supply cable (at the appliance and at the junction box). Wire sizes and connections must conform with the rating of the appliance (40 amperes).

E. IF CONNECTING TO A FOUR-WIRE ELECTRICAL SYSTEM: This appliance is manufactured with ground connected to cabinet. **The ground must be revised** so the green grounding wire of the four-wire power cord is connected to the cabinet. See Four-wire electrical connection section, Panel C.

When a four-wire receptacle of NEMA type 14-50R is used (See Figure 2), a matching U.L.-listed, four-wire, 125/250-volt, 40-ampere, range power supply cord (pigtail) must be used. This cord contains four copper conductors with ring terminals on the appliance end, terminating in a NEMA Type 14-50P plug on the supply end. The fourth (grounding) conductor must be identified by a green or green/yellow cover and the neutral conductor by a white cover. Cord should be Type SRD or SRDT with a U.L.-listed strain relief and be at least four feet long.

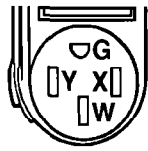
The **MINIMUM** conductor sizes for the copper four-wire power cord are:

- 40 ampere circuit
- 2, No.-8 conductors
- 1, No.-10 white neutral
- 1, No.-8 green grounding

F. The wiring diagram is also located on the back of the range or the inside of the storage drawer in a clear plastic bag.



3-wire wall receptacle (10-50R)
Figure 1



4-wire wall receptacle (14-50R)
Figure 2

Now start... With range in kitchen.

1. Remove racks and other parts from inside oven.

WARNING

Personal Injury Hazard

More than one person is required to lift, tilt, or move this appliance because of its weight and size.

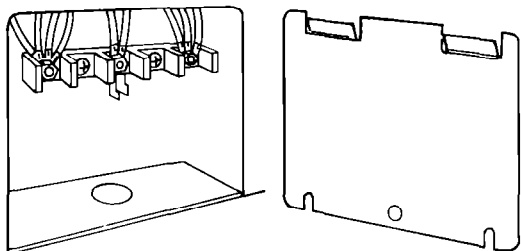
Failure to follow this instruction could result in personal injury.

2.

Place one foot on shipping base. Tilt range forward slightly to free rear legs. Tilt range backwards until front legs are free.

3. Remove shipping materials, tape and protective film from range. Do Not remove shipping base at this time.

4. Lower leveling legs approximately 1/4" or to the point where the range base does not touch the floor. A minimum of 1/8" is required between the bottom of the range and rear leveling legs.

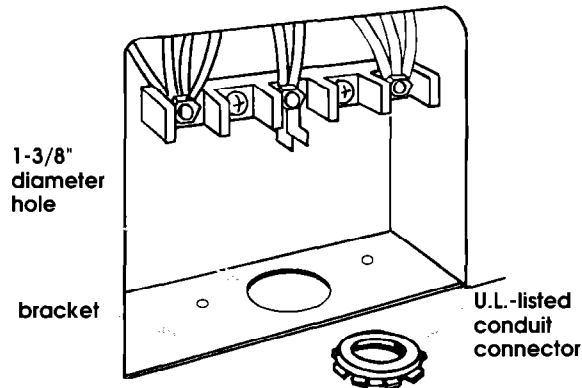


5. Remove the terminal block cover located on the back of range.

Panel B

Three-wire electrical connection

See Panel C for Four-wire electrical connection.



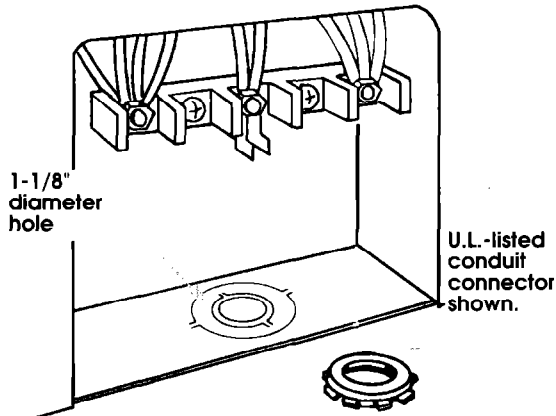
6. If a U.L.-listed 40-ampere range power supply cord (pigtail) is used:

Assemble a U.L.-listed strain relief in the bracket opening. Insert the power supply cord through the strain relief, allowing enough slack to easily attach the wiring to the terminal block.

Use only ring-type terminals to connect the power supply cord.

Use this wiring method **ONLY** if local codes permit connecting cabinet-grounding conductor to neutral wire of power cord.

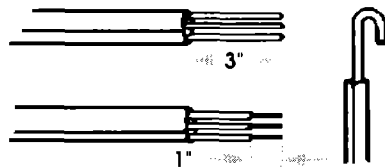
This appliance is manufactured with the neutral terminal connected to the cabinet. If local codes Do Not permit grounding through the neutral, a four-wire power supply cord rated 250-volts, 40-amperes and investigated for use with ranges must be used. See Four-wire electrical connection, Panel C.



- If range is to be connected directly to fused disconnect or circuit breaker box:

Use a 1/4" nut or socket driver to remove the 2 screws holding mounting bracket to back of range. Reverse bracket so that smaller diameter conduit connector opening is located over cabinet wiring hole. Reattach mounting bracket to back of range. Remove the knockout for the 1-1/8" opening.

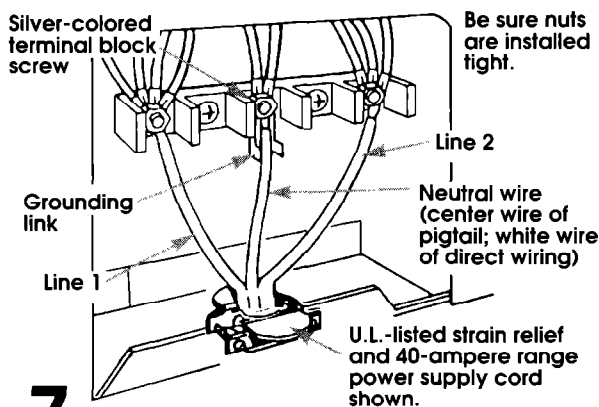
Assemble a U.L.-listed conduit connector in the conduit connector opening.



Strip outer covering back 3" from end exposing the 3 wires.

Strip the insulation back 1" from the end of each wire. Form the bare wire into a "U"-shaped hook.

Insert the power supply cable through the conduit connector, allowing enough slack to easily attach the wiring to the terminal block.

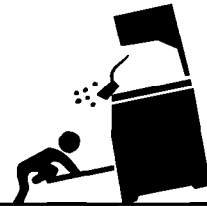


7. Use a 3/8" nut or socket driver to remove the three loose nuts on the terminal block. Do Not loosen the nuts which secure the factory-installed range wiring to the terminal block.

Connect the neutral (center wire of pigtail; white wire of direct wiring) wire to the silver-colored terminal screw on the terminal block. Connect the other two wires to the outer terminal screws on the terminal block. Connect with the nuts removed above. Check that nuts are tight to insure proper electrical connection.

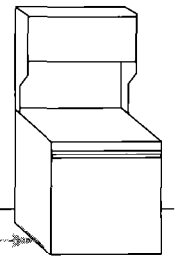
8. Tighten the strain relief clamping screws or the conduit connector locking ring and clamping screws. Replace terminal block cover.

WARNING



- To prevent tipping, install range anti-tip bracket.
- Save these Installation Instructions. If range is moved to a new location, the anti-tip bracket must be removed and reinstalled in the new location.

9. If range will be installed with a cabinet on one or both sides, place anti-tip template on the floor with the top edge against the rear wall, molding or cabinet, and sides of the template against the cabinet side wall(s).



If the range is Not installed against a cabinet, slide range into final location.

Mark a line on the floor along sides of range about one-half the distance from the rear to the front. Slide the range out of location.

Place template on floor with the top edge against the rear wall, molding or cabinet, and the sides of the template against the lines drawn for the sides of the range.

10. Use a pencil to mark the two mounting screw hole locations on the floor. Remove the template from position.

CAUTION

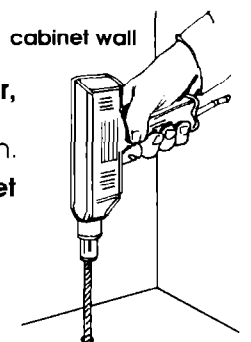
Floor Damage

- Contact a qualified floor covering installer for the best procedure to drill mounting holes through your type of floor covering.
- Before moving range across floor, check that range is on shipping base or slide range onto cardboard or hardboard.

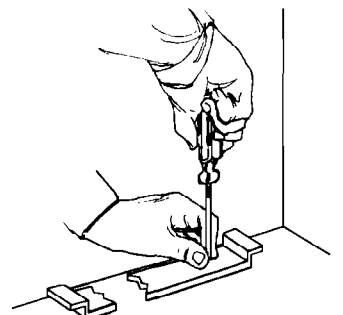
Failure to follow these instructions may result in damage to floor covering.

11. To mount anti-tip bracket to wood floor, drill a 1/8" hole at each mounting screw location.

To mount anti-tip bracket to concrete or ceramic floor, use a masonry drill bit to drill 3/16" holes at each mounting screw location.



12. Line up holes in anti-tip bracket with holes in floor. Use the screws provided to fasten the anti-tip bracket to floor.

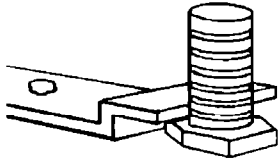


13. Move range close to final position. Remove the shipping base, cardboard or hardboard from under the range.

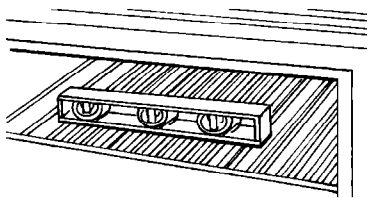
14. Remove storage drawer. Set the drawer on a protected surface.

15. Plug the power supply cord into grounded outlet. Move range into final position. Look underneath range (a flashlight may be needed) to check that the rear leveling legs are engaged in the anti-tip bracket.

If leveling legs are not properly engaged, remove and reposition the bracket to insure that both leveling legs fit properly in the bracket.

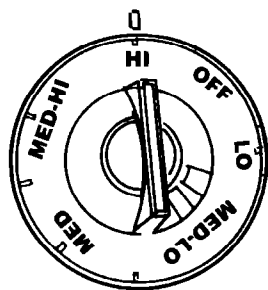


16. If installing the range in a mobile home, you MUST secure the range to the floor. Any method of securing the range to the floor is adequate as long as it conforms with the standards listed in the Mobile home installation instructions, Panel A.

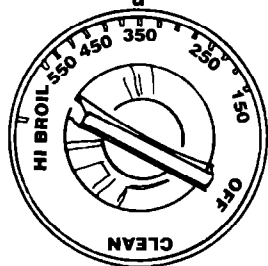


17. Place rack in oven. Place level on rack, first side to side; then front to back. If range is not level, pull range forward until leveling leg is removed from bracket. Adjust the leveling legs up or down until range is level. Push range back into position. Check that rear leveling legs are engaged in anti-tip bracket.
Note: Oven must be level for satisfactory baking conditions.

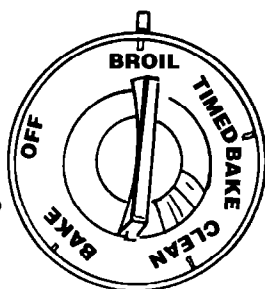
18. Push in and turn each surface unit control knob to "HI" position. Check the operation of the cooktop elements and indicator lights.



19. Check the operation of the oven element. Set the oven selector control knob to "BAKE". Set the oven temperature control to 350°F. The bottom element should glow red and the indicator light should be on. The upper element should become hot but not glow red. The oven indicator light goes off when the oven is preheated.



20. Check the operation of the broil element. Set the oven selector and oven temperature control knobs to "BROIL". The top element should glow red and the indicator light should be on.

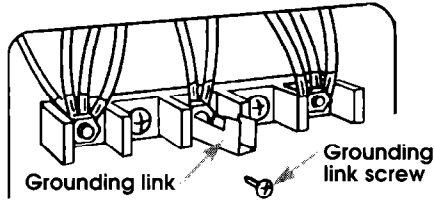


Congratulations!
You have just finished installing your new range. Keep Installation Instructions close to range for easy reference.

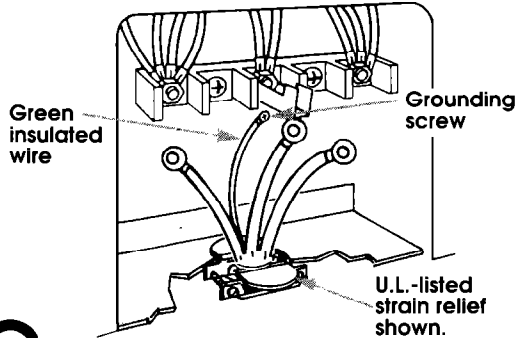
Four-wire electrical connection

Use this wiring method for mobile homes and whenever Four-wire installation is required.

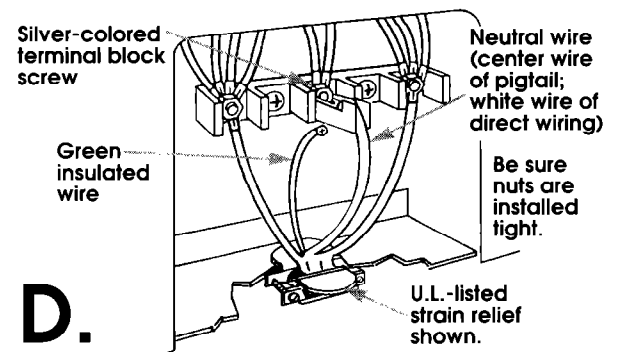
A. Follow Step 6 on Panel B. Then proceed to Step B, Panel C.



B. Remove the grounding-link screw from the range frame. Save the grounding screw. Bend up the grounding link so that it does not contact the range.



C. Connect the green grounding wire to the range using the grounding screw removed in Step B. The green grounding wire **must** be attached first and **must not** contact any other terminal.

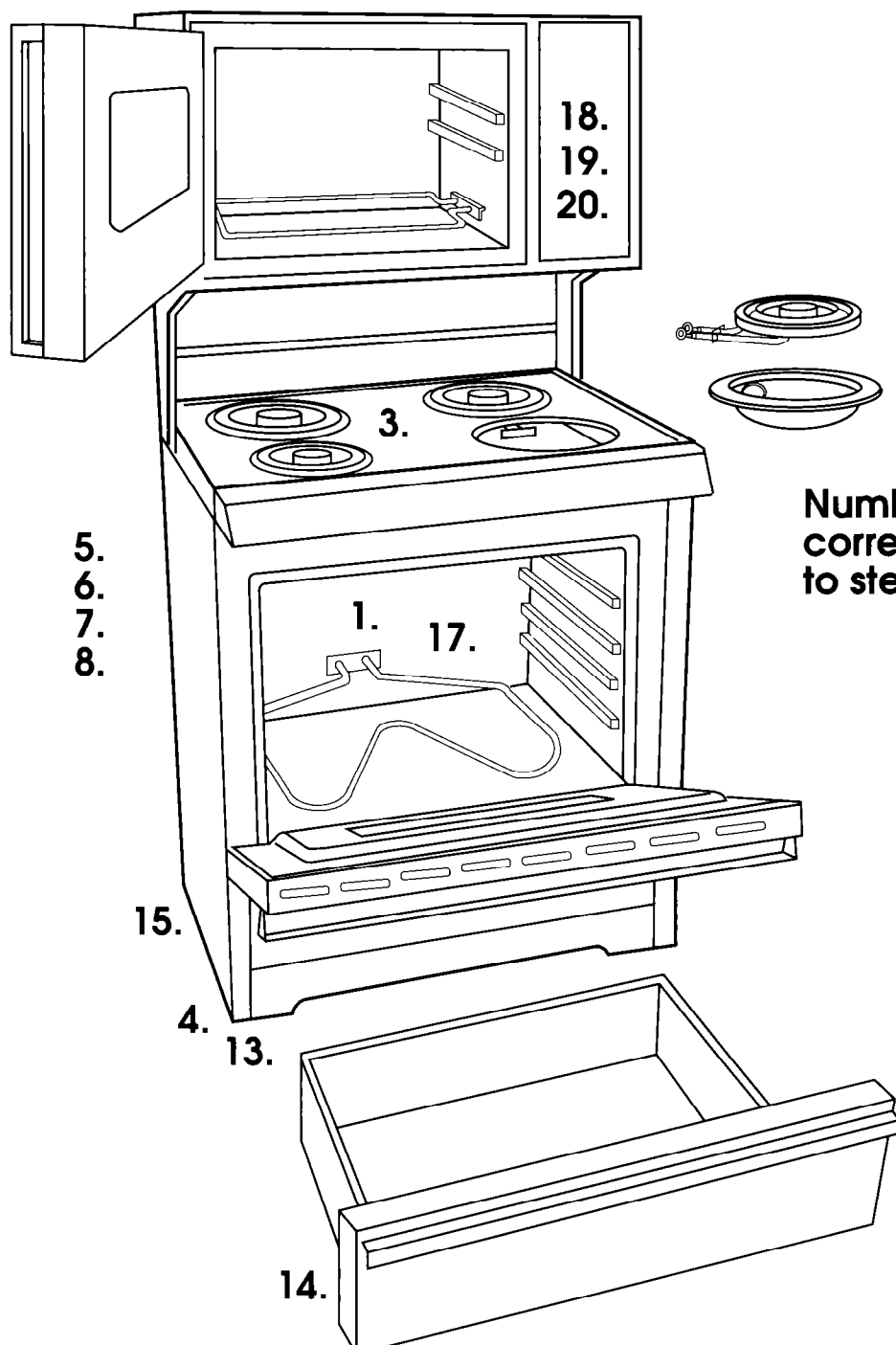


D. Use a 3/8" nut driver or socket to remove the three loose nuts on the terminal block. Do Not loosen the nuts which secure the factory-installed range wiring to the terminal block.

Connect the neutral (center wire of pigtail; white wire of direct wiring) wire to the silver-colored terminal screw on the terminal block. Connect the other two wires to the outer terminal screws on the terminal block. Connect with the nuts removed above. Check that nuts are tight to insure proper electrical connection.

E. Tighten the strain relief clamping screws or the conduit connector locking ring and clamping screws. Replace the terminal block cover.

F. Continue installation at Step 9, Panel B.



Numbers correspond to steps.

If the range does not operate...

- Check that the circuit breaker is not tripped or the house fuse blown.
- Check that power supply cord is plugged into wall receptacle.

NOTE:

Refer to Use and Care Guide for operating instructions and cleaning instructions.



WARNING

Personal Injury/Product Damage Hazard

Do Not step, lean or sit on the range drawer or door.

Failure to follow this instruction could result in personal injury and/or product damage.

For cleaning and maintenance...

If removing the range is necessary for cleaning or maintenance, disconnect the electric supply.

If the range electric supply is inaccessible, slide range out away from wall. Slide range out only as far as necessary to disconnect electric supply line.

After disconnecting electric supply, remove range to complete cleaning or maintenance.

Move range back to operating position. Remove drawer or look underneath range (a flashlight may be needed). Check that leveling legs are engaged in anti-tip bracket. If leveling legs are not properly engaged, remove and reposition bracket to insure that leveling legs fit properly in bracket. Level range. Reconnect the electric supply.

If you need assistance...

Check your Use and Care Guide for a toll-free number to call or call the dealer from whom you purchased this appliance. The dealer is listed in the Yellow Pages of your phone directory under "Appliances - Major."

When you call, you will need the range model number and serial number. Both numbers can be found on the serial/rating plate located under the cooktop.