

Bolens®

Operator's Manual



Since it began making garden tools in 1850, Bolens has been known for long-lasting, dependable products. Bolens eventually carried that hard-working heritage into the outdoor power equipment industry, when it designed and built the first-ever power-driven garden tractor.

Today, homeowners around the country rely on Bolens for durable, reliable power equipment at an affordable price.

**Electric Trimmer
Model BL50**



INTRODUCTION

THANK YOU

Thank you for buying this quality product. This modern outdoor power tool will provide many hours of useful service. You will find it to be a great labor-saving device. This operator's manual provides you with easy-to-understand operating instructions. Read the whole manual and follow all the instructions to keep your new outdoor power tool in top operating condition.

PRODUCT REFERENCES, ILLUSTRATIONS AND SPECIFICATIONS

All information, illustrations, and specifications in this manual are based on the latest product information available at the time of printing. We reserve the right to make changes at any time without notice.

Copyright ©2002 MTD SOUTHWEST INC, All Rights Reserved.

Bump Head™ is a trademark of MTD SOUTHWEST INC

SplitLine™ is a trademark of MTD SOUTHWEST INC

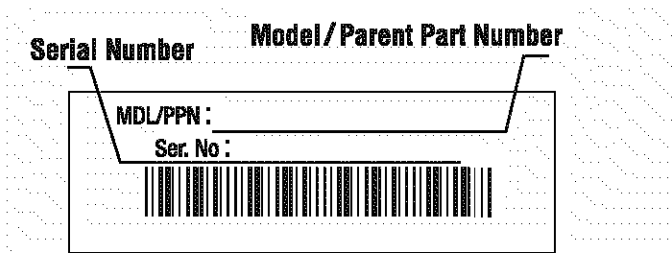
SERVICE INFORMATION

Service on this unit both within and after the warranty period should be performed only by an authorized and approved service dealer.

For service call **1-330-558-7220** or **1-866-840-6483** to obtain a list of authorized service dealers near you.

DO NOT RETURN THE UNIT TO THE RETAILER. PROOF OF PURCHASE WILL BE REQUIRED FOR WARRANTY SERVICE.

Before beginning, locate the unit's model plate. It lists the model and serial numbers of your unit. Refer to the sample plate below and copy the information for future reference.



Copy the model / parent part number here: _____

Copy the serial number here: _____

TABLE OF CONTENTS

Calling Customer Support	2
Rules for Safe Operation	3
Know Your Unit	6
Assembly Instructions	7
Operating Instructions	8
Maintenance and Repair Instructions	10
Cleaning and Storage	12
Accessories and Replacement Parts	12
Specifications	12
Troubleshooting Chart	13
Warranty Information	14
Parts List	Inside Back Cover

CONTENTS OF CARTON

- Model BL50 Trimmer
 - Δ Large Bump Head Cutting Attachment
 - Δ D-Handle and Hardware
 - Cutting Attachment Shield with Hardware
 - Operator's Manual
 - Product Registration Card
- Δ These items are either pre-installed on the unit or located in the hardware pack

Make sure you carefully read and understand this manual before starting or operating this equipment.

THIS PRODUCT IS COVERED BY ONE OR MORE U.S. PATENTS. OTHER PATENTS PENDING.

INTRODUCTION

Read the Operator's Manual(s) and follow all warnings and safety instructions.
Failure to do so can result in serious injury to the operator and/or bystanders.

FOR QUESTIONS, CALL 1-330-558-7720 or 1-866-840-6483

• SAFETY SYMBOLS •

The purpose of safety symbols is to attract your attention to possible dangers. The safety symbols, and their explanations, deserve your careful attention and understanding. The safety warnings do not by themselves eliminate any danger. The instructions or warnings they give are not substitutes for proper accident prevention measures.

SYMBOL

MEANING



SAFETY ALERT SYMBOL: Indicates danger, warning or caution. Attention is required in order to avoid serious personal injury. May be used in conjunction with other symbols or pictographs.



DANGER: Failure to obey a safety warning will result in serious injury to yourself or to others. Always follow the safety precautions to reduce the risk of fire, electric shock and personal injury.

SYMBOL

MEANING



WARNING: Failure to obey a safety warning can result in injury to yourself and others. Always follow the safety precautions to reduce the risk of fire, electric shock, and personal injury.



CAUTION: Failure to obey a safety warning may result in property damage or personal injury to yourself or to others. Always follow the safety precautions to reduce the risk of fire, electric shock, and personal injury.

NOTE: Advises you of information or instructions vital to the operation or maintenance of the equipment.

• IMPORTANT SAFETY INFORMATION • READ ALL INSTRUCTIONS



WARNING: When using the unit, you must follow the safety rules. Please read these instructions before operating the unit in order to ensure the safety of the operator and any bystanders. Please keep these instructions for later use.

BEFORE OPERATING

- Read the instructions carefully. Be familiar with the controls and proper use of the unit.
- Do not operate this unit when tired, ill or under the influence of alcohol, drugs or medication.
- Children under the age of 15 must not use the unit; teens may operate the unit with adult guidance.
- Inspect the unit before use. Replace damaged parts. Make sure all fasteners are in place and secure. Replace cutting attachment parts that are cracked, chipped or damaged in any way. Make sure the cutting attachment is properly installed and securely fastened. Be sure that the cutting attachment shield is properly attached, and positioned as recommended. Failure to do so can result in personal injury to the operator and bystanders, as well as damage to the unit.
- This unit was not designed to be used as a brushcutter. Do not attach or operate this unit with any type of brushcutting blade or brushcutting attachment.

- Use only a 0.065-inch (1.65 mm) diameter genuine factory parts replacement line. Never use metal-reinforced line, wire, chain or rope. These can break off and become dangerous projectiles.
- Be aware of risk of injury to the head, hands and feet.
- Clear the area to be cut before each use. Remove rocks, broken glass, nails, wire, string and other objects which may be thrown or become entangled in the cutting attachment. Clear the area of children, bystanders and pets; keep them outside a 50-foot (15 m.) radius, at a minimum. Even then, they are still at risk from thrown objects. Encourage bystanders to wear eye protection. If you are approached, stop the unit immediately.

ELECTRICAL SAFETY WARNINGS




DANGER: When using electric gardening appliances, basic safety precautions should always be followed to reduce the risk of fire, electric shock and personal injury. Carefully read and understand the entire operator's manual before using your trimmer. Pay close attention to the operating instructions and safety warnings.

- Since the tool is double-insulated, a 2-wire extension cord (an extension cord without a ground) may be used. A 3-wire extension cord (an extension cord with a ground) that uses a NEMA type connector (parallel blade, U ground) is recommended. Extension cords are available from your local retailer. Use only round-jacketed extension cords approved for outdoor use.

RULES FOR SAFE OPERATION

- This tool is double-insulated. Use only identical replacement parts when servicing. Repair or replace damaged cords.



WARNING: To reduce the risk of electrical shock, use only SW-A, SOW-A, STW-A, STOW-A, SJW-A, SJOW-A, SJTW-W or SJTOW-A cord types.

- To reduce the risk of electrical shock, this unit has a polarized plug (one blade is wider than the other). This unit will fit with a polarized plug in one way only. If the plug does not fit fully into the unit, reverse the plug. If it still does not fit, use a cord with the correct connection. Do not modify the unit in any way.

MINIMUM WIRE SIZE FOR EXTENSION CORDS FOR 120 VOLT APPLIANCES USING 0-6 AMPS				
Cord length (ft.)	25	50	100	150
Wire size (AWG)	16	16	16	14

- **CORD SETS:** Make sure your cord set is in good condition, with a cord that is heavy enough to carry the current that your unit will draw. An undersized cord set will cause a drop in line voltage resulting in a loss of power, as well as overheating. The table shown above illustrates the correct size to use depending on the cord length and nameplate amperage rating. If in doubt, use the next heavier size line gauge. The smaller the gauge number, the heavier the cord. To prevent the cord from disconnecting from the unit, use the cord hook shown in the *Operating Instructions*.
- Do not abuse the power cord. Do not pull or carry the unit by the cord, use the cord as a handle, close a door on the cord, or pull the cord around sharp edges or corners. Keep the cord away from heated surfaces, oil and sharp edges.
- Ground Fault Circuit Interrupter (GFCI) protection should be provided on the circuit(s) or outlet(s) that will be used for the unit. Use receptacles with built-in GFCI protection for an extra measure of safety.
- A nameplate on your unit indicates the voltage used. Never connect the unit to an AC voltage that differs from this voltage.
- Avoid dangerous environments. Never operate your unit in damp or wet conditions. Moisture is a shock hazard.
- Inspect all extension cords and the unit power connection periodically. Look closely for deterioration, cuts or cracks in the insulation. Also inspect the connections for damage. Repair or replace the cords if any defects appear.
- Do not use the unit in the rain.
- Do not handle the plug or the unit with wet hands.

WHILE OPERATING

- Wear safety glasses or goggles that meet ANSI Z87.1 standards and are marked as such. Wear ear/hearing protection when operating this unit. Wear a face or dust mask if the operation is dusty.
- Wear heavy long pants, boots, gloves and a long sleeve shirt. Do not wear loose clothing, jewelry, short pants, sandals or go barefoot. Secure hair above shoulder level.

- The cutting attachment shield must always be in place while operating the unit. Do not operate unit without both trimming lines extended, and the proper line installed. Do not extend the trimming line beyond the length of the shield.
- Adjust the D-handle to your size to provide the best grip.
- Be sure the cutting attachment is not in contact with anything before starting the unit.
- Use the unit only in daylight or good artificial light.
- Avoid accidental starting. Do not carry around a unit that is plugged in with your finger on the trigger switch. Be sure the switch is in the off position when plugging in the unit.
- Use the right tool. Only use this tool for its intended purpose.
- Do not overreach. Always keep proper footing and balance.
- Always hold the unit with both hands when operating. Keep a firm grip on both handles or grips.
- Keep hands, face, and feet at a distance from all moving parts. Do not touch or try to stop the cutting attachment when it rotates.
- Always stop the motor when cutting is delayed or when walking from one cutting location to another.
- If you strike or become entangled with a foreign object, stop the motor immediately and check for damage. Do not operate before repairing damage. Do not operate the unit with loose or damaged parts.
- Stop the unit and unplug it for maintenance or repair.
- Use only genuine original equipment replacement parts and accessories for this unit. These are available from your authorized service dealer. Use of any non-original parts or accessories could lead to serious injury to the user, or damage to the unit, and void your warranty.
- Keep unit clean of vegetation and other materials. They may become lodged between the cutting attachment and shield.

OTHER SAFETY WARNINGS

- Disconnect the unit from the power supply when it is idle, when you are storing or transporting it, when you are servicing it, and when you are changing attachments.
- Store the unit in a dry area, locked up to prevent unauthorized use or damage, and stored in a high place out of the reach of children.
- Never douse or squirt the unit with water or any other liquid. Keep handles dry, clean and free from debris. Clean after each use. See the *Cleaning and Storage* instructions.
- Keep these instructions. Refer to them often and use them to instruct other users. If you loan someone this unit, also loan them these instructions.

SAVE THESE INSTRUCTIONS

RULES FOR SAFE OPERATION

SAFETY AND INTERNATIONAL SYMBOLS

This operator's manual describes safety and international symbols and pictographs that may appear on this product. Read the operator's manual for complete safety, assembly, operating and maintenance and repair information.

SYMBOL

MEANING



• SAFETY ALERT SYMBOL

Indicates danger, warning or caution. May be used in conjunction with other symbols or pictographs.



• WARNING - READ OPERATOR'S MANUAL

Read the operator's manual(s) and follow all warnings and safety instructions. Failure to do so can result in serious injury to the operator and/or bystanders.



• WEAR EYE AND HEARING PROTECTION

WARNING: Thrown objects and loud noise can cause severe eye injury and hearing loss. Wear eye protection meeting ANSI Z87.1 standards and ear protection when operating this unit. Use a full face shield when needed.



• KEEP BYSTANDERS AWAY

WARNING: Keep all bystanders, especially children and pets, at least 50 feet (15 m) from the operating area.

SYMBOL

MEANING



• THROWN OBJECTS AND ROTATING CUTTER CAN CAUSE SEVERE INJURY

WARNING: Do not operate without the cutting attachment shield in place. Keep away from the rotating cutting attachment.



• HOT SURFACE WARNING

Do not touch hot surfaces like the gear housing. You may get burned. These parts get extremely hot from operation. They remain hot for a short time after the unit is turned off.



• SHARP BLADE

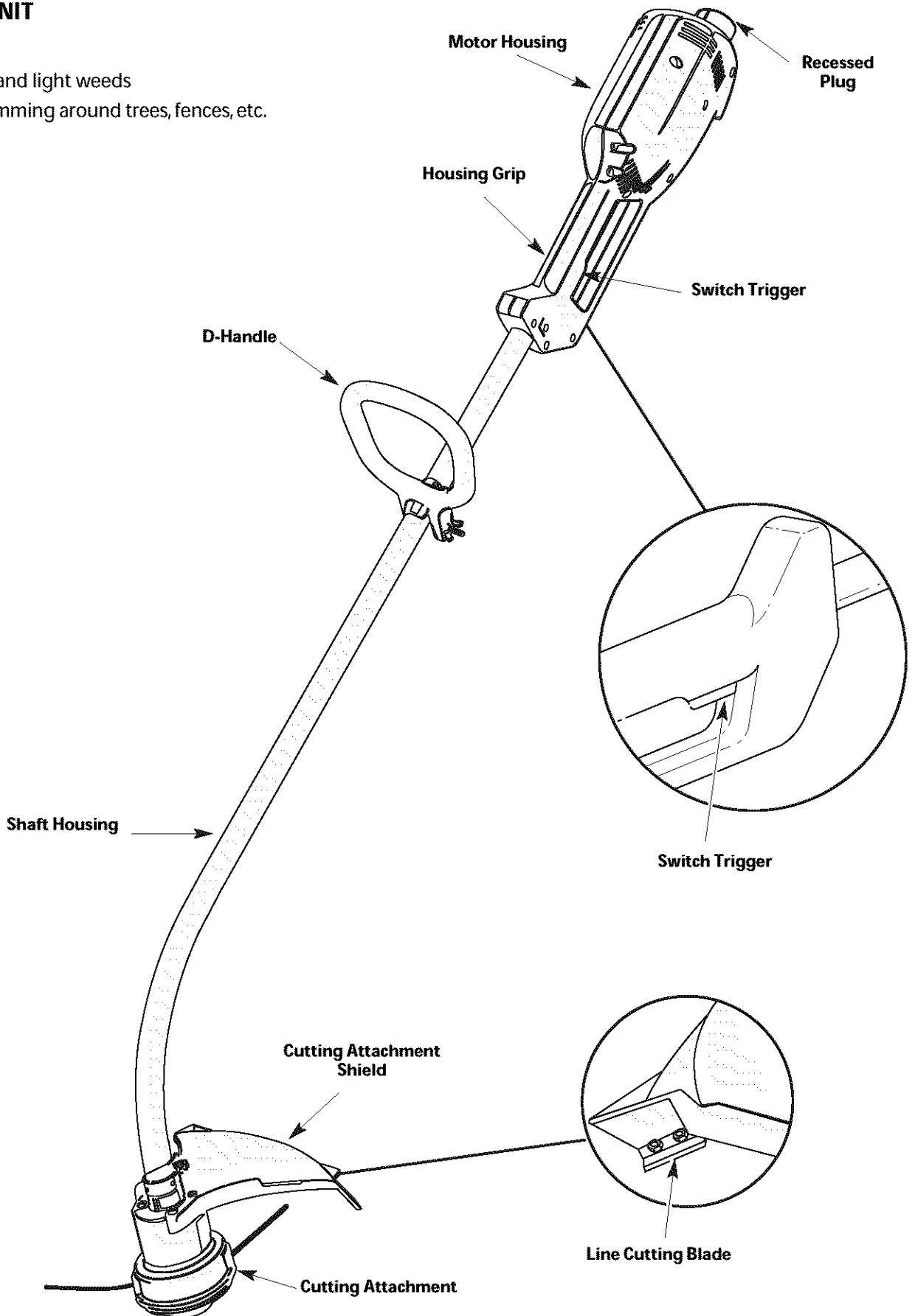
WARNING: Sharp blade on cutting attachment shield. To prevent serious injury, do not touch line cutting blade.

RULES FOR SAFE OPERATION

KNOW YOUR UNIT

As a trimmer:

- Cutting grass and light weeds
- Decorative trimming around trees, fences, etc.

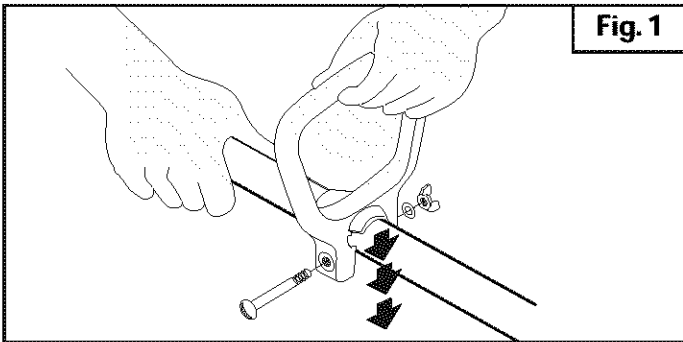


ASSEMBLY INSTRUCTIONS

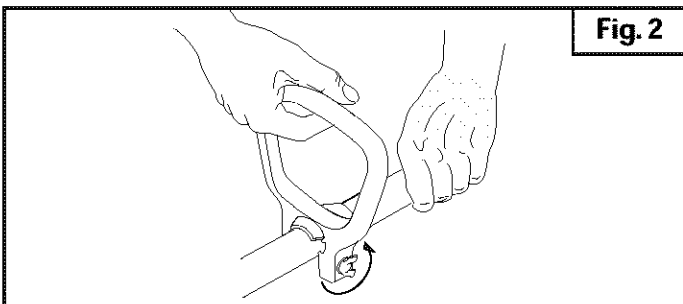
On some units, the D-handle may be pre-installed. In this case you must loosen screws and adjust the handle to fit the operator. Go to step 4 if the D-handle is pre-installed.

INSTALLING AND ADJUSTING THE D-HANDLE

1. Remove the items that were installed on the D-handle for shipping.
2. Place the D-handle over the shaft housing and push it on the boom (Fig. 1).



3. Install the bolt, washer and wing nut. Tighten them.
4. If the D-handle was pre-installed, loosen the wing nut on it just enough so it is movable.
5. While holding the unit in the operating position, arrange or rotate the D-handle to the location that provides you the best grip (Fig. 2).
6. Tighten the wing nut until the D-handle is secure.



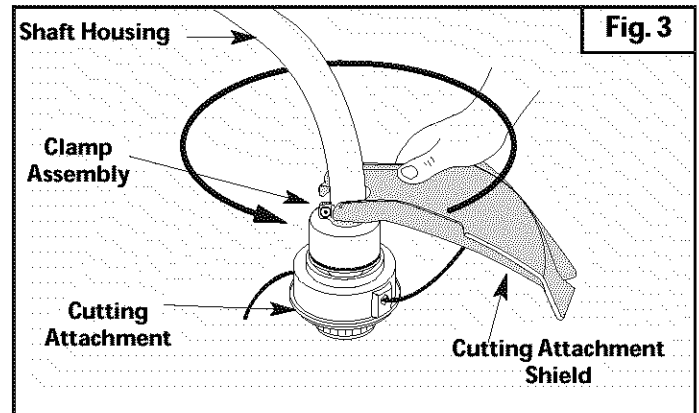
INSTALLING THE CUTTING SHIELD

Use the following instructions if the cutting attachment shield on your unit is not installed or if you ever need to re-install it.

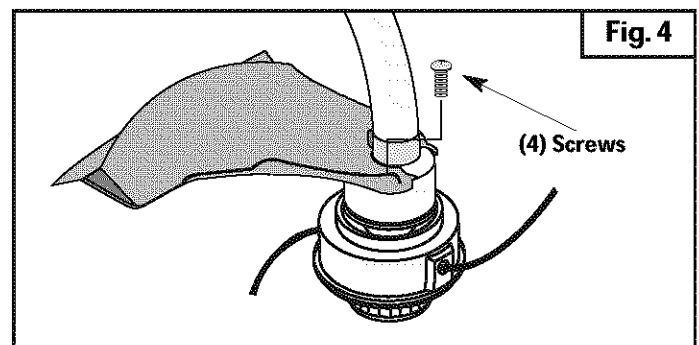


WARNING: To prevent serious personal injury, never operate the trimmer without the cutting attachment shield in place.

1. Place the cutting attachment shield onto the shaft housing above the clamp assembly (Fig. 3).



2. Push the cutting attachment shield down to the top of the cutting attachment assembly. Then rotate the shield until its screw holes line up with the holes in the cutting attachment. The shield guard should fit into the recessed pocket (Fig. 3).
3. Install the screws with a Phillips screwdriver (Fig. 4).



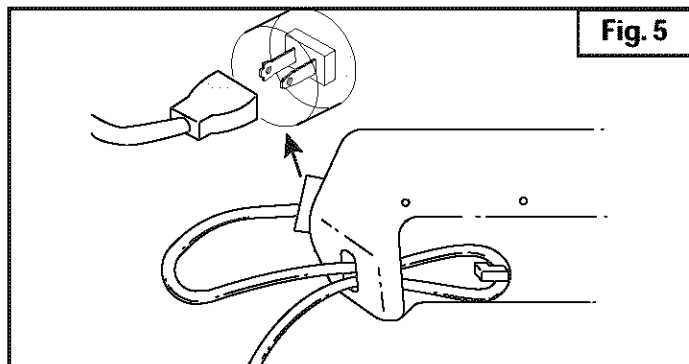
OPERATING INSTRUCTIONS

CONNECTING THE CORD

Use the cord hook when connecting the extension cord to the power cord outlet. This helps prevent any disconnection.

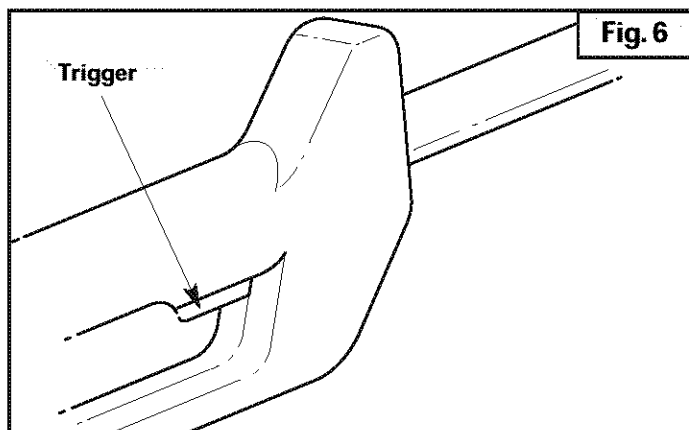
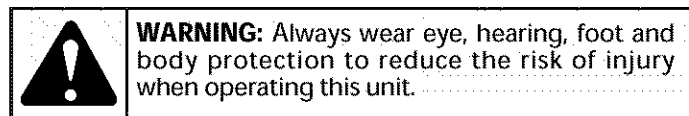
1. Make a narrow loop with the extension cord.
2. Push the loop through the opening and move it onto the hook on the motor housing (Fig. 5).
3. Plug the cord properly into the socket.

Only use outdoor-approved extension cords. Cord sets are specified in the *Important Safety Information* section.

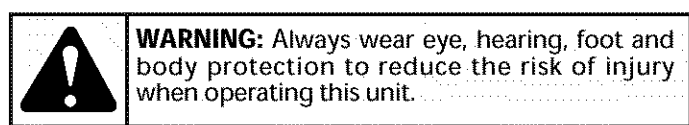


STARTING/STOPPING INSTRUCTIONS

Once the unit is plugged in, stand in the operating position (Fig. 7). Squeeze the trigger to start the unit. To stop the unit, release the trigger (Fig. 6).

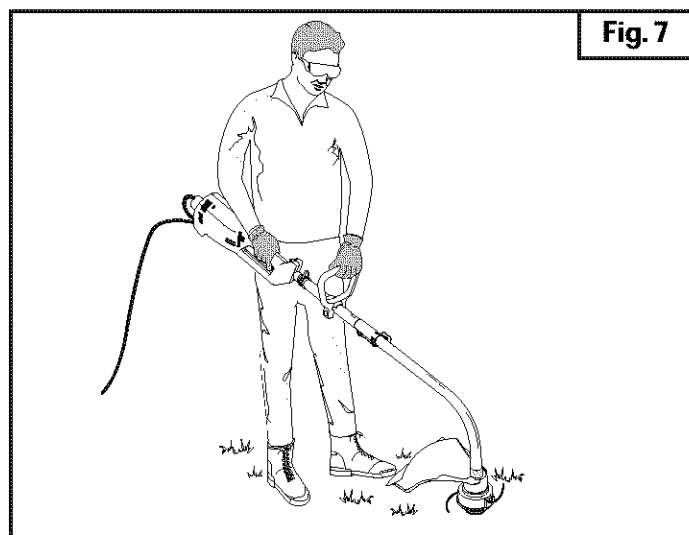


HOLDING THE UNIT



Before operating the unit, stand in the operating position (Fig. 7). Check for the following:

- The operator is wearing eye protection and proper clothing
- With a slightly-bent right arm, the operator's hand is holding the shaft grip
- The operator's left arm is straight, the left hand holding the D-handle
- The unit is at waist level
- The cutting attachment is parallel to the ground and easily contacts the grass without the need to bend over



ADJUSTING TRIMMING LINE LENGTH

The Bump Head™ cutting attachment allows you to release trimming line without stopping the motor. To release more line, lightly tap the cutting attachment on the ground (Fig. 8) while operating the trimmer at high speed.

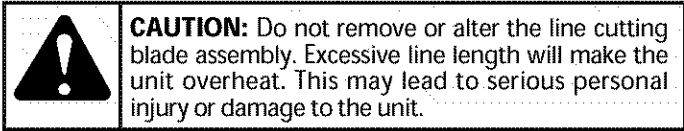
NOTE: Always keep the trimming line fully extended. Line release becomes more difficult as cutting line becomes shorter

Each time the head is bumped, about 1 inch (25.4 mm) of trimming line releases. A blade in the cutting attachment shield will cut the line to the proper length if any excess line is released.

OPERATING INSTRUCTIONS

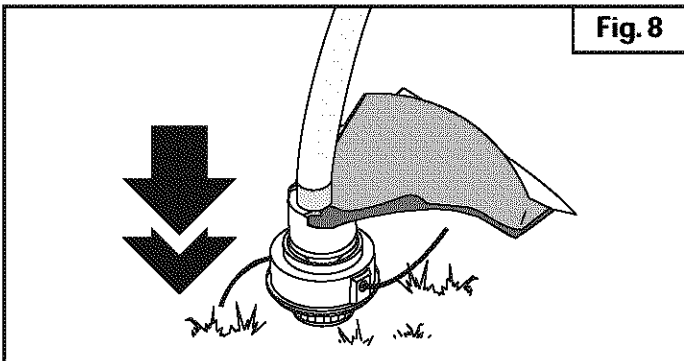
For best results, tap the bump knob on bare ground or hard soil. If you attempt a line release in tall grass, the unit may stall. Always keep the trimming line fully extended. Line release becomes more difficult when the cutting line gets shorter.

NOTE: Do not rest the Bump Head™ on the ground while the unit is running.



Some line breakage will occur from:

- Entanglement with foreign matter
- Normal line fatigue
- Attempting to cut thick, stalky weeds
- Forcing the line into objects such as walls or fence posts



TIPS FOR BEST TRIMMING RESULTS

- Keep the cutting attachment parallel to the ground.
- Do not force the cutting attachment. Allow the tip of the line to do the cutting, especially along walls. Cutting with more than the tip will reduce cutting efficiency and may overload the motor.
- Cut grass over 8 inches (200 mm) by working from top to bottom in small increments to avoid premature line wear or motor drag.

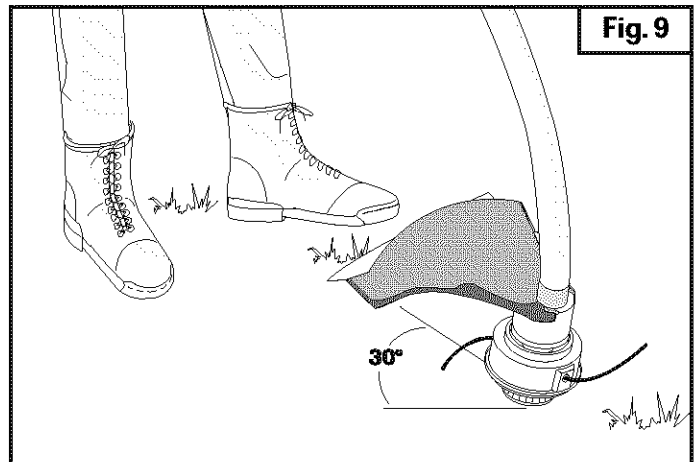
- Cut from left to right whenever possible. Cutting to the right improves the unit's cutting efficiency. Clippings are thrown away from the operator.
- Slowly move the trimmer into and out of the cutting area at the desired height. Move either in a forward-backward or side-to-side motion. Cutting shorter lengths produces the best results.
- Trim only when grass and weeds are dry.
- The life of your cutting line is dependent upon:
 - Following the trimming techniques previously explained
 - What vegetation is cut
 - Where vegetation is cut

For example, the line will wear faster when trimming against a foundation wall as opposed to trimming around a tree.

DECORATIVE TRIMMING

Decorative trimming is accomplished by removing all vegetation around trees, posts, fences and more.

Rotate the whole unit so that the cutting attachment is at a 30° angle to the ground (Fig. 9).



MAINTENANCE & REPAIR INSTRUCTIONS

SERVICING DOUBLE INSULATED UNITS

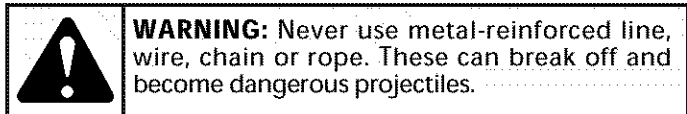
This unit is double-insulated. In a double-insulated unit, two systems of insulation are provided instead of grounding. There is no grounding provided and no means of grounding should be added to this unit.

Extreme care and knowledge of the system is required when servicing a double-insulated unit. Service should be performed by qualified service personnel only. Replacement parts for a double-insulated unit must be identical to the parts they replace. Refer any repair to an authorized service dealer. A double-insulated unit is marked with the words "double insulation" or "double insulated."

LINE INSTALLATION

This section covers both SplitLine™ and standard single line installation.

Always use genuine factory parts 0.065 in. (1.65 mm) replacement line. Using line other than the specified may make the unit overheat or fail.

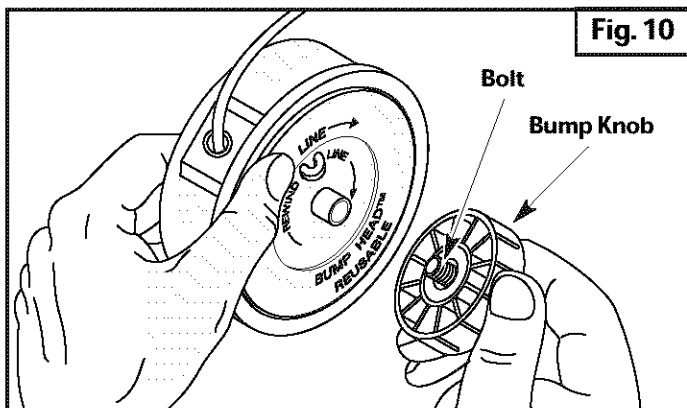


There are two methods to replace the trimming line:

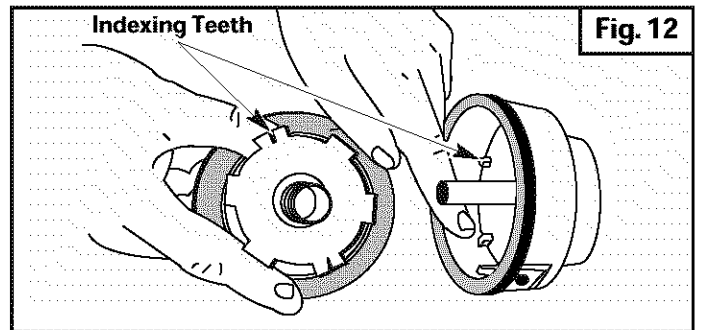
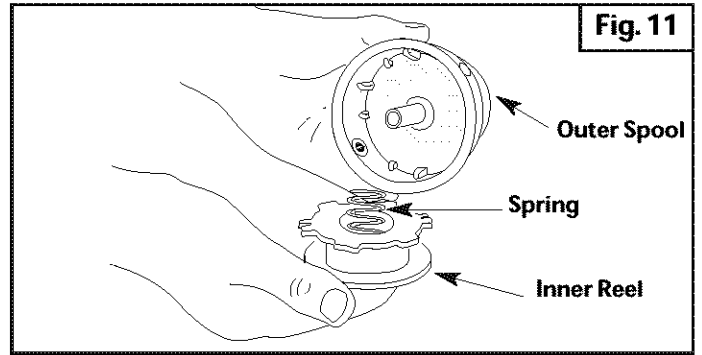
- Wind the inner reel with new line
- Install a prewound inner reel

Winding the Existing Inner Reel

1. Hold the outer spool with one hand and unscrew the bump knob counterclockwise (Fig. 10). Inspect the bolt inside the bump knob to make sure it moves freely. Replace the bump knob if damaged.

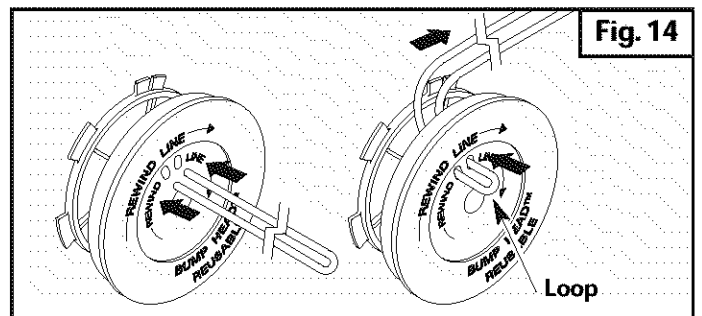
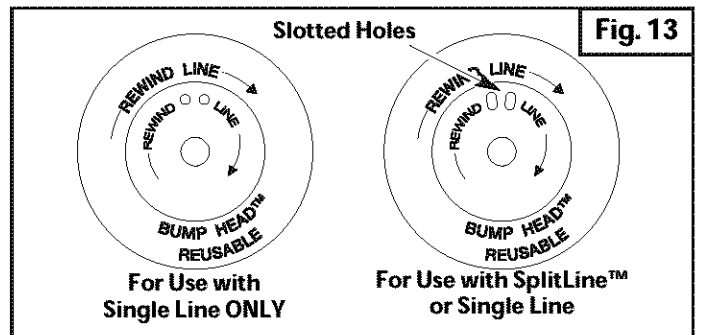


2. Remove the inner reel from the outer spool (Fig. 11).
3. Remove spring from the inner reel (Fig. 11).
4. Use a clean cloth to clean the inner reel, spring, shaft, and inner surface of the outer spool.
5. Check the indexing teeth on the inner reel and outer spool for wear (Fig. 12). If necessary, remove burrs or replace the reel and spool.



NOTE: SplitLine™ can only be used with the inner reel with the slotted holes. Single line can be used on either type of inner reel. Use Figure 13 to identify the inner reel you have.

NOTE: Always use the correct line length when installing trimming line on the unit. The line may not release properly if the line is too long.

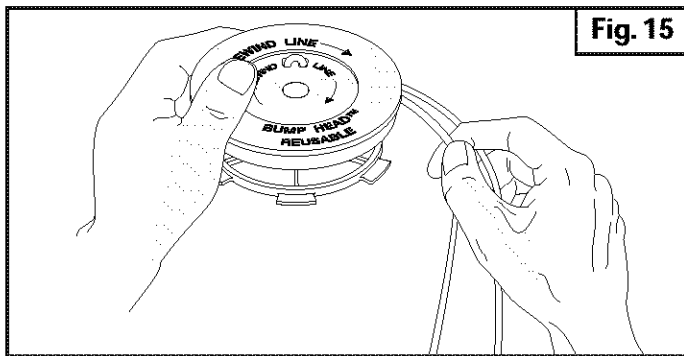


MAINTENANCE & REPAIR INSTRUCTIONS

Single Line Installation

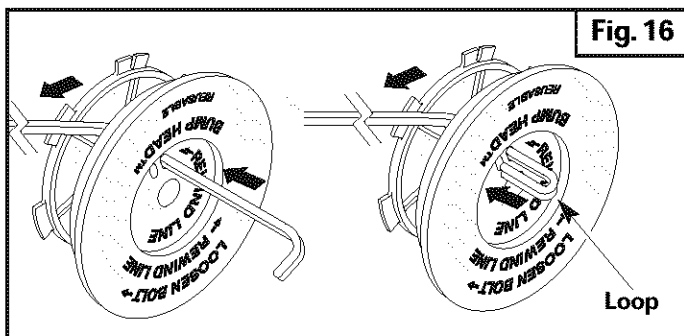
Go To Step 8 for SplitLine™ Installation

6. Cut approximately 25 feet (7.6 m) of new trimming line, then loop it into two equal lengths. Insert each end of the line through one of the two holes in the inner reel (Fig. 14). Pull the line through the inner reel so that the loop is as small as possible.
7. Wind the lines in tight even layers, onto the reel (Fig. 15). Wind the line in the direction indicated on the inner reel. Place your index finger between the two lines to stop the lines from overlapping. Do not overlap the ends of the line. Proceed to step 11.



SplitLine™ Installation

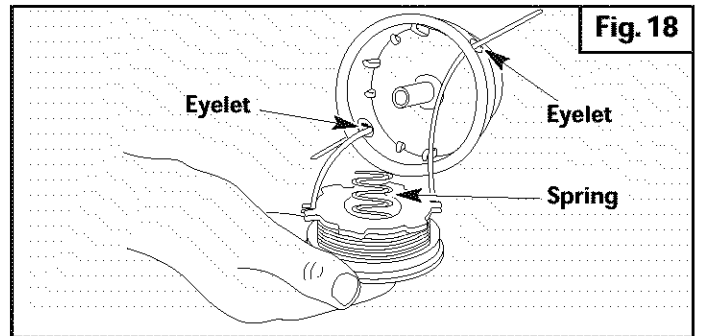
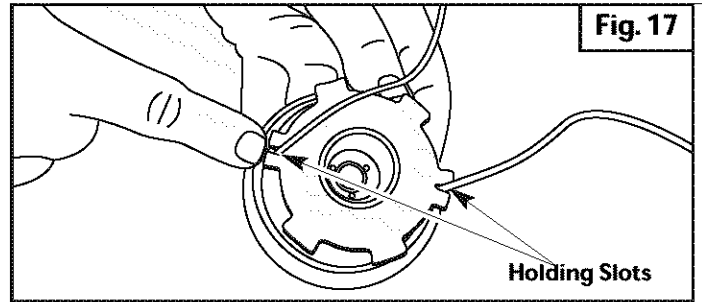
8. Cut approximately 12 feet (3.65 m) of new trimming line. Insert one end of the line through one of the two holes in the inner reel (Fig. 16). Pull the line through the inner reel until only about 4 inches is left out.
9. Insert the end of the line into the open hole in the inner reel and pull the line tight to make the loop as small as possible (Fig. 16).



10. Before winding, split the line back about 6 inches.
11. Wind the line in tight even layers in the direction indicated on the inner reel.

NOTE: Failure to wind the line in the direction indicated will cause the cutting attachment to operate incorrectly.

12. Insert the ends of the line into the two holding slots (Fig. 17).



13. Insert the ends of the line through the eyelets in the outer spool and place inner reel with spring inside the outer spool (Fig. 18). Push the inner reel and outer spool together. While holding the inner reel and outer spool, grasp the ends and pull firmly to release the line from the holding slots in the reel.

NOTE: The spring must be assembled on the inner reel before reassembling the cutting attachment.

14. Hold the inner reel in place and install the bump knob by turning clockwise. Tighten securely.

INSTALLING A PREWOUND REEL

1. Hold the outer spool with one hand and unscrew the bump knob counterclockwise (Fig. 10). Inspect the bolt inside the bump knob to make sure it moves freely. Replace the bump knob if damaged.
2. Remove the old inner reel from the outer spool (Fig. 11).
3. Remove the spring from the old inner reel (Fig. 11).
4. Place the spring in the new inner reel.

NOTE: The spring must be assembled on the inner reel before reassembling the cutting attachment.

5. Insert the ends of the line through the eyelets in the outer spool (Fig. 18).
6. Place the new inner reel inside the outer spool. Push the inner reel and outer spool together. While holding the inner reel and outer spool, grasp the ends and pull firmly to release the line from the holding slots in the reel.
7. Hold the inner reel in place and install the bump knob by turning clockwise. Tighten securely.

Replacement Parts

Refer to the *Accessories / Replacement Parts* section.

MAINTENANCE & REPAIR INSTRUCTIONS

CLEANING



WARNING: To avoid serious personal injury, always turn your trimmer off and allow it to cool before you clean or service it.

Switch off the unit and disconnect it from the power source. Use a small brush to clean off the outside of the unit. Do not use strong detergents. Household cleaners that contain aromatic oils such as pine and lemon, and solvents such as kerosene, can damage plastic housing or handle. Wipe off any moisture with a soft cloth. Also keep the air vents free of obstructions.

INSPECT EXTENSION CORDS

Inspect all extension cords. Look closely for deterioration, cuts or cracks in the insulation. Inspect the connectors for damage. Replace a damaged or defective cord.

STORAGE

- Allow the unit to cool before storing.
- Lock the unit to prevent unauthorized use or damage.
- Store the unit in a dry, well-ventilated area.
- Store the unit out of the reach of children.

ACCESSORIES/REPLACEMENT PARTS

Replacement Line	160425
Replacement Line Cartridge	160425
Inner Reel Spring	610317
Bump Knob	153066
Bump Knob Assembly	147153

These replacement parts can be purchased from your local authorized dealer.

SPECIFICATIONS

MOTOR

Motor type.....	A.C., 120 Volts Electric
Operating RPM	up to 7,400 rpm
Ignition Switch.....	Trigger
Amperage.....	4.7 amps

DRIVE SHAFT AND CUTTING HEAD

Drive Shaft Housing.....	Aluminum
Shoulder Strap	Optional
Unit Weight (cutting attachment shield and D-handle)	9 lbs. (4.1 kg)
Line Spool	Bump Line Releaser
Line Spool Diameter	3 inches (76.2 mm)
Cutting Path Diameter.....	15 in (381 mm)
Trimming Line Diameter	0.065 in (1.65 mm)

TROUBLESHOOTING

MOTOR WILL NOT START

CAUSE	ACTION
Unit is unplugged	Check cord to make sure it is still plugged into an electrical outlet

CUTTING ATTACHMENT WILL NOT ADVANCE LINE

CAUSE	ACTION
Cutting attachment bound with grass	Stop the unit and clean cutting attachment
Cutting attachment out of line	Refill with new line
Inner reel bound up	Replace the inner reel
Cutting head dirty	Clean inner reel and outer spool
Line welded	Disassemble, remove the welded section and rewind
Line twisted when refilled	Disassemble and rewind the line
Not enough line is exposed	Push the bump knob and pull out line until 4 inches (102 mm) of line is outside of the cutting attachment

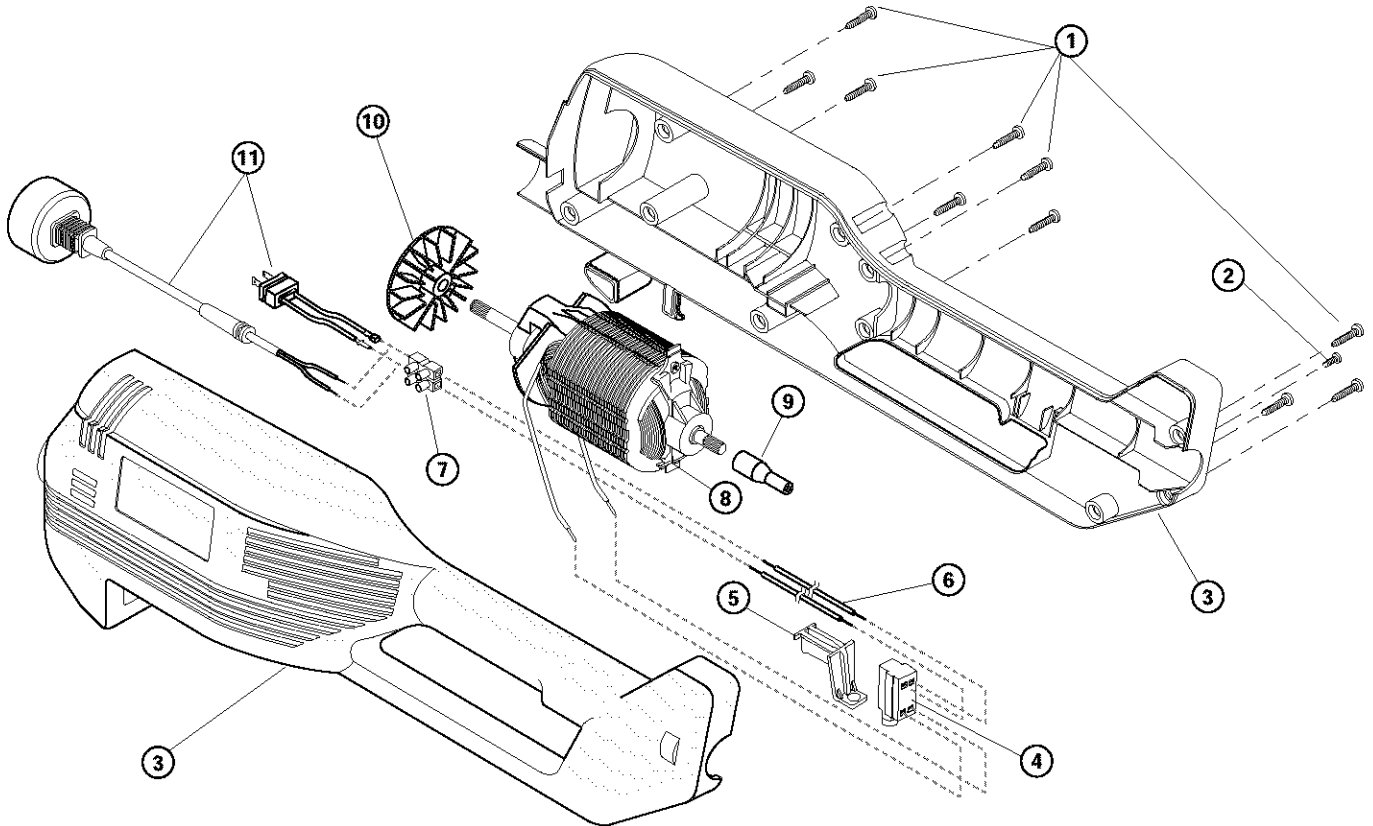
CUTTING LINE ADVANCE UNCONTROLLABLY

CAUSE	ACTION
Oil, cleaner or lubricant in cutting head	Clean and thoroughly dry the cutting head

If further assistance is required, contact your authorized service dealer

PARTS LIST

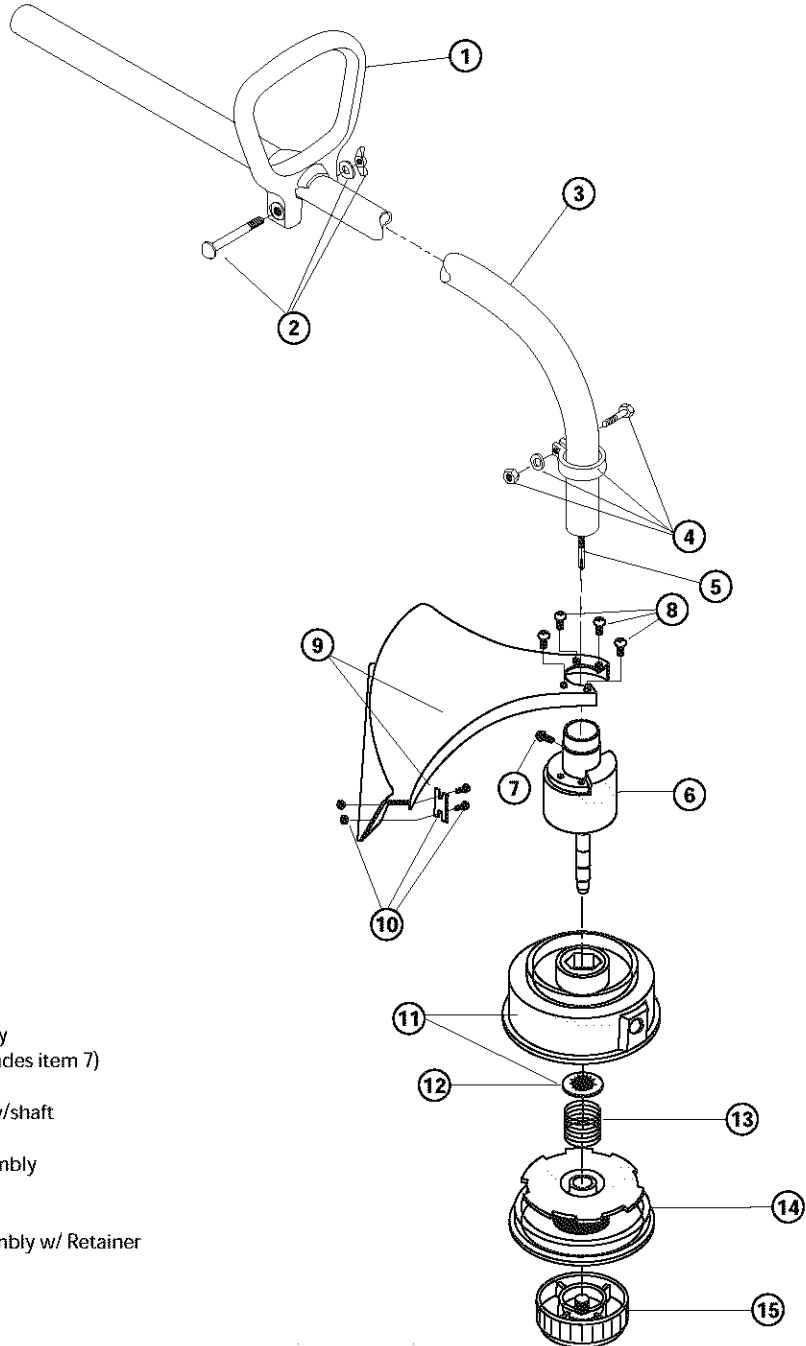
MOTOR AND HOUSING PARTS—MODEL BL50 120 VOLT ELECTRIC TRIMMER PPN 41AC105G163



Item	Part No.	Description
1	791-180300	Screw, Housing Set (Qty. 11)
2	791-182519	Anti-Rotation Screw
3	753-04271	Motor Housing Assembly
4	791-180150	Switch
5	791-182318	Trigger
6	791-180559	Lead Wires
7	791-180305	Terminal Block
8	791-180153	Motor Assembly (includes 9 & 10)
9	791-180152	Driver
10	791-180155	Cooling Fan
11	791-181645	Recessed Plug Assembly

PARTS LIST

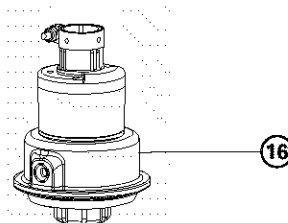
BOOM AND TRIMMER PARTS - MODEL BL50 120 VOLT ELECTRIC TRIMMER PPN 41AC105G163



Item	Part No.	Description
1	791-153067	D-Handle Assembly
2	791-181587	D-Handle Hardware
3	791-180560	Drive Shaft Housing Assembly
4	791-153597	Lower Clamp Assembly (includes item 7)
5	791-180561	Flexible Drive Shaft
6	791-181857	Bushing Housing Assembly w/shaft
7	791-145569	Anti-Rotation Screw
8	791-180531	Guard Mounting Screw Assembly
9	791-683274	Guard and Blade Assembly
10	791-682061	Blade Assembly
11	791-153619	Outer Spool and Eyelet Assembly w/ Retainer
12	791-610660	Retainer
13	791-610317	Spring
14	753-1155	Inner Reel
15	791-153066	Bump Head Knob
16	791-182172	Complete Cutting Head Assembly

Optional Accessories

- * 791-160425 Inner Reel W/.065 Line
- * Not Shown



MANUFACTURER'S LIMITED WARRANTY FOR:

Bolens

SINCE-1850

The limited warranty set forth below is given by Troy-Bilt LLC with respect with new merchandise purchased and used in the United States, its possessions and territories.

Troy-Bilt warrants this product against defects in material and workmanship for a period of two (2) years commencing on the date of original purchase and will, at its option, repair or replace, free of charge, any part found to be defective in material or workmanship. This limited warranty shall only apply if this product has been operated and maintained in accordance with the Operator's Manual furnished with the product, and has not been subject to misuse, abuse, commercial use, neglect, accident, improper maintenance, alteration, vandalism, theft, fire, water or damage because of other peril or natural disaster. Damage resulting from the installation or use of any accessory or attachment not approved by Troy-Bilt for use with the product(s) covered by this manual will void your warranty as to any resulting damage.

This warranty is limited to ninety (90) days from the date of original retail purchase for any Bolens product that is used for rental or commercial purposes, or any other income-producing purpose.

HOW TO OBTAIN SERVICE: Warranty service is available, WITH PROOF OF PURCHASE THROUGH YOUR LOCAL AUTHORIZED SERVICE DEALER. To locate the dealer in your area, please check for a listing in the Yellow Pages or contact the Customer Service Department of Troy-Bilt LLC by calling 1-866-840-6483 or writing to PO Box 361131, Cleveland, Ohio 44136-0019. No product returned directly to the factory will be accepted unless prior written permission has been extended by the Customer Service Department of Troy-Bilt LLC.

This limited warranty does not provide coverage in the following cases:

- A. Tune-ups - Spark Plugs, Carburetor Adjustments, Filters
- B. Wear items - Bump Knobs, Outer Spools, Cutting Line, Inner Reels, Starter Pulley, Starter Ropes, Drive Belts
- C. Troy-Bilt does not extend any warranty for products sold or exported outside of the United States of America, its possessions and territories, except those sold through Troy-Bilt's authorized channels of export distribution.

Troy-Bilt reserves the right to change or improve the design of any Bolens Product without assuming any obligation to modify any product previously manufactured.

No implied warranty, including any implied warranty of merchantability or fitness for a particular purpose, applies after the applicable period of express written warranty above as to the parts as identified. No other express warranty or guaranty, whether written or oral, except as mentioned above, given by any person or entity, including a dealer or retailer, with respect to any product shall bind Troy-Bilt LLC. During the period of the Warranty, the exclusive remedy is repair or replacement of the product as set forth above. (Some states do not allow limitations on how long an implied warranty lasts, so the above limitation may not apply to you.)

The provisions as set forth in this Warranty provide the sole and exclusive remedy arising from the sales. Troy-Bilt LLC shall not be liable for incidental or consequential loss or damages including, without limitation, expenses incurred for substitute or replacement lawn care services, for transportation or for related expenses, or for rental expenses to temporarily replace a warranted product. (Some states do not allow limitations on how long an implied warranty lasts, so the above limitation may not apply to you.)

In no event shall recovery of any kind be greater than the amount of the purchase price of the product sold. Alteration of the safety features of the product shall void this Warranty. You assume the risk and liability for loss, damage, or injury to you and your property and/or to others and their property arising out of the use or misuse or inability to use the product.

This limited warranty shall not extend to anyone other than the original purchaser, original lessee or the person for whom it was purchased as a gift.

How State Law Relates to this Warranty: This warranty gives you specific legal rights, and you may also have other rights which vary from state to state.

To locate your nearest service dealer dial 1-866-840-6483.

TROY-BILT LLC

PO Box 361131

Cleveland, OH 44136-0019 U.S.A.

**SAVE THESE INSTRUCTIONS FOR FUTURE REFERENCE
FOR QUESTIONS CALL 1-866-840-6483**