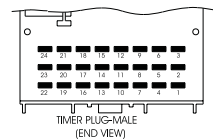
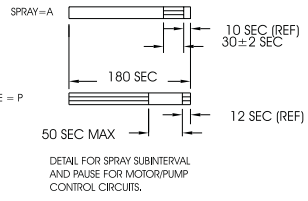
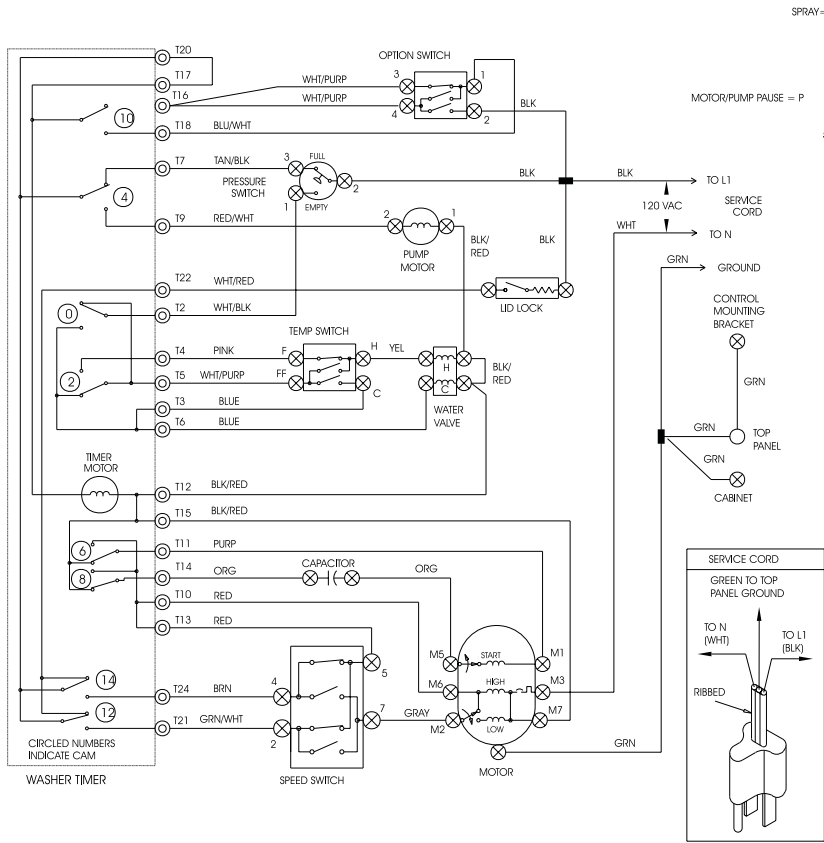
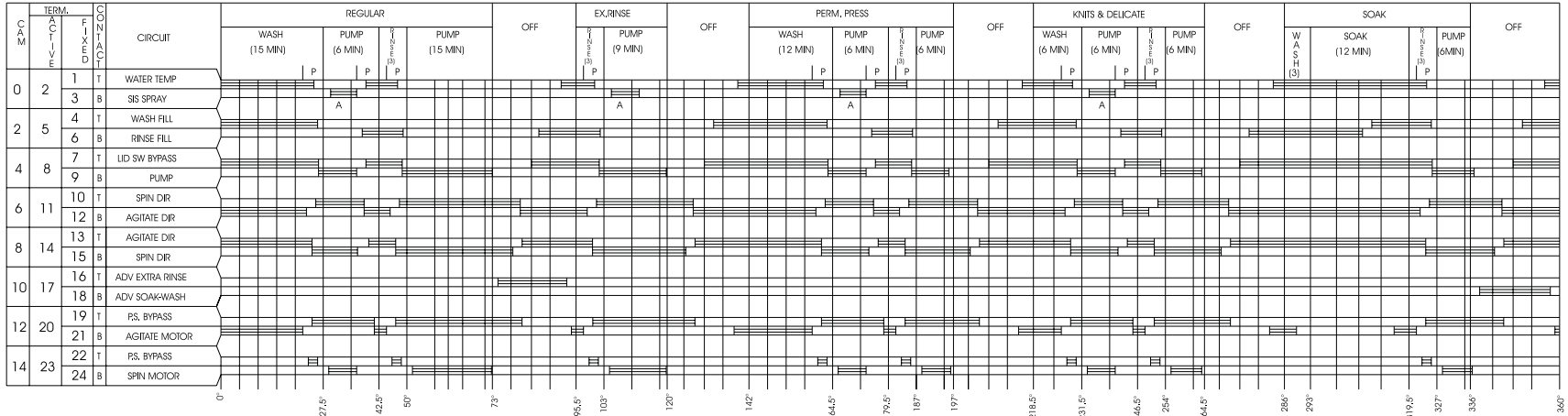


CAUTION: DISCONNECT ELECTRIC CURRENT BEFORE SERVICING

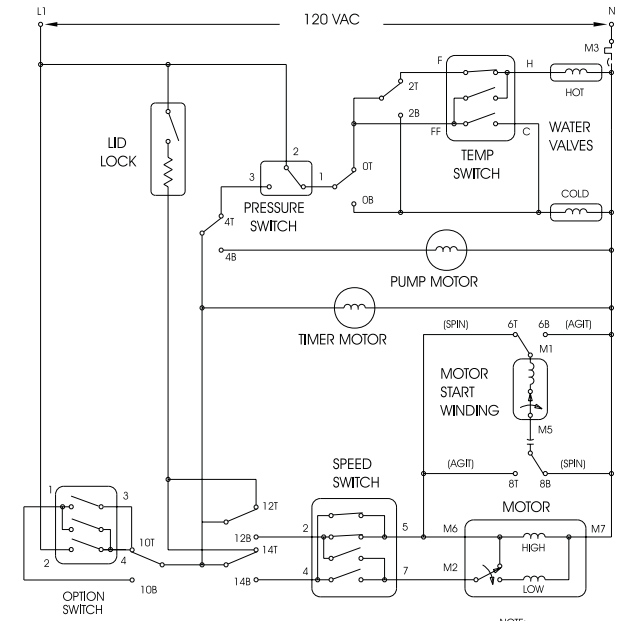


- WIRING CODES**
- ⊗ PLUG IN TIMER TERMINAL
 - ⊙ QUICK DISCONNECT TERMINAL
 - SCREW TERMINAL
 - CONNECTION
 - ⊕ NO CONNECTION
 - ⊛ MOTOR SWITCH
 - ⊞ SPLICE
 - ⊞ MOTOR PROTECTOR
 - ⊞ CHASSIS (CABINET) GROUND

TEMPERATURE SWITCH CIRCUIT

	F-H	FF-H	FF-C
WASH/RINSE			
COLD/COLD	O	O	X
WARM/COLD	X	O	X
HOT/COLD	X	O	O
WARM/WARM (OPT)	O	X	X

O=OPEN X=CLOSED



SPEED SWITCH CIRCUIT

AGIT/SPIN	2-5	2-7	4-7	4-5
N/N	X	O	O	X
N/S	X	O	X	O
S/N (OPT)	O	X	O	X
S/S	O	X	X	O

N=NORMAL S=SLOW O=OPEN X=CLOSED

OPTION SWITCH

POSITION	3-1	4-1	4-2
NONE	X		
POWER SCRUB	X		X
EXTRA RINSE			X

X=SWITCH CLOSED

NOTE: SUFFIX INDICATES TIMER SWITCH CONTACTS
 T= TOP
 B= BOTTOM
 --- = OPTIONAL ON SOME MODELS