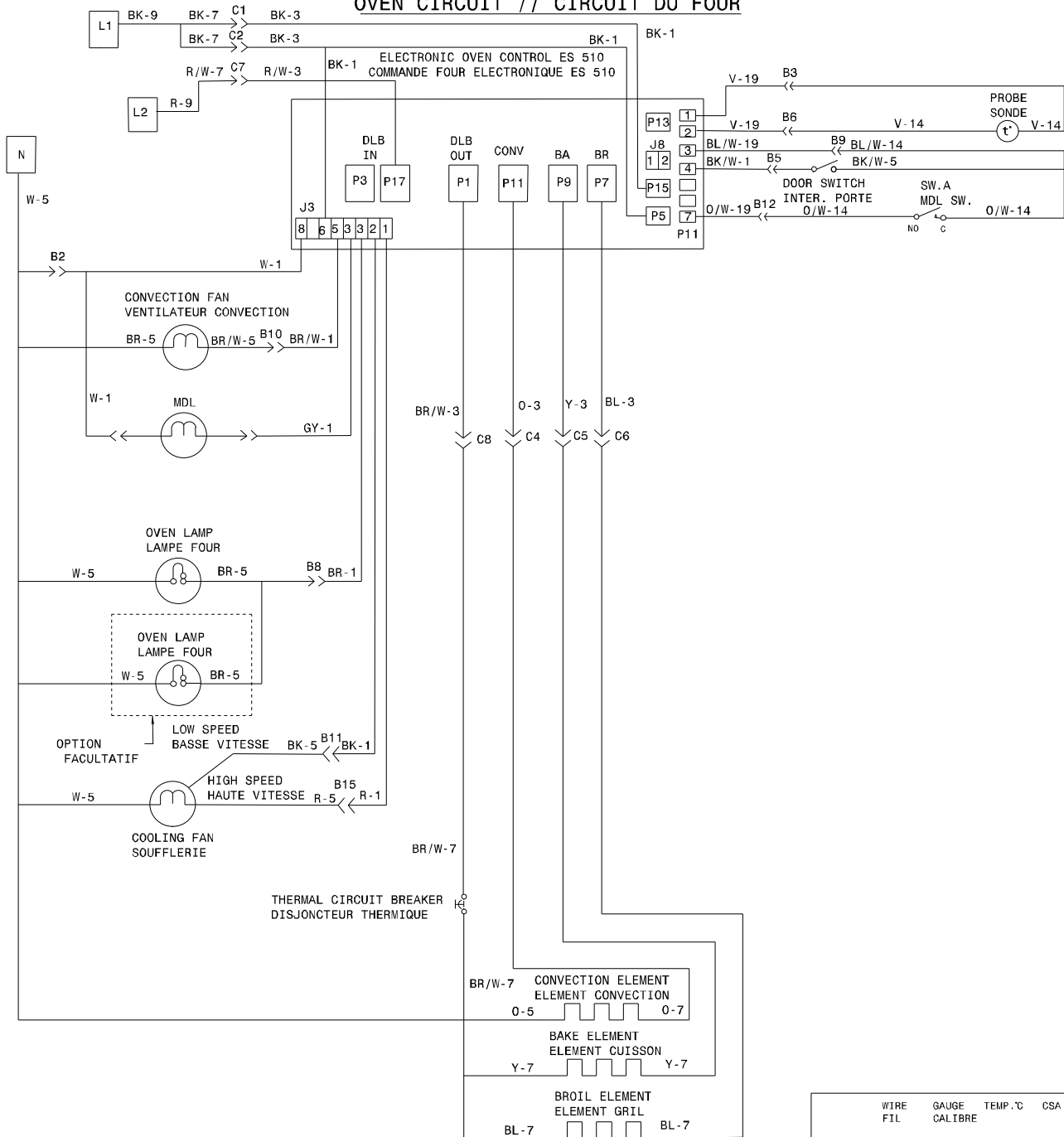


OVEN CIRCUIT // CIRCUIT DU FOUR

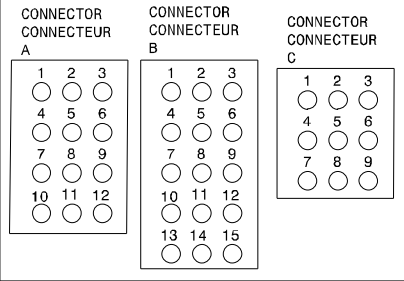


WIRE FIL	GAUGE CALIBRE	TEMP. °C	CSA	UL
16	8	60		
17	10	60		
18	10	200	SEW-1	3172
19	20	125	SEW-1	3173
20	20	200	SEW-1	3122
21	22	125		3266
22	22	150		10109

LEGEND/LEGENDE
SW. - SWITCH/INTERRUPTEUR
R.F. - RIGHT FRONT/AVANT DROIT
R.R. - RIGHT REAR/ARRIERE DROIT
L.F. - LEFT FRONT/AVANT GAUCHE
L.R. - LEFT REAR/ARRIERE GAUCHE
LIM. - LIMITOR/LIMITEUR
H.S. - HOT SURFACE/SURFACE CHAUDE
T.B. - TERMINAL BLOCK/BLOC DE CONNECTION
MDL. - MOTOR DOOR LATCH/MOTEUR PORTE VERROU

COLOR CODE/CODE DE COULEUR
G. - GREEN/VERT
W. - WHITE/BLANC
R. - RED/ROUGE
O. - ORANGE/ORANGE
Y. - YELLOW/JAUNE
BR. - BROWN/BRUN
BL. - BLUE/BLEU
BK. - BLACK/NOIR

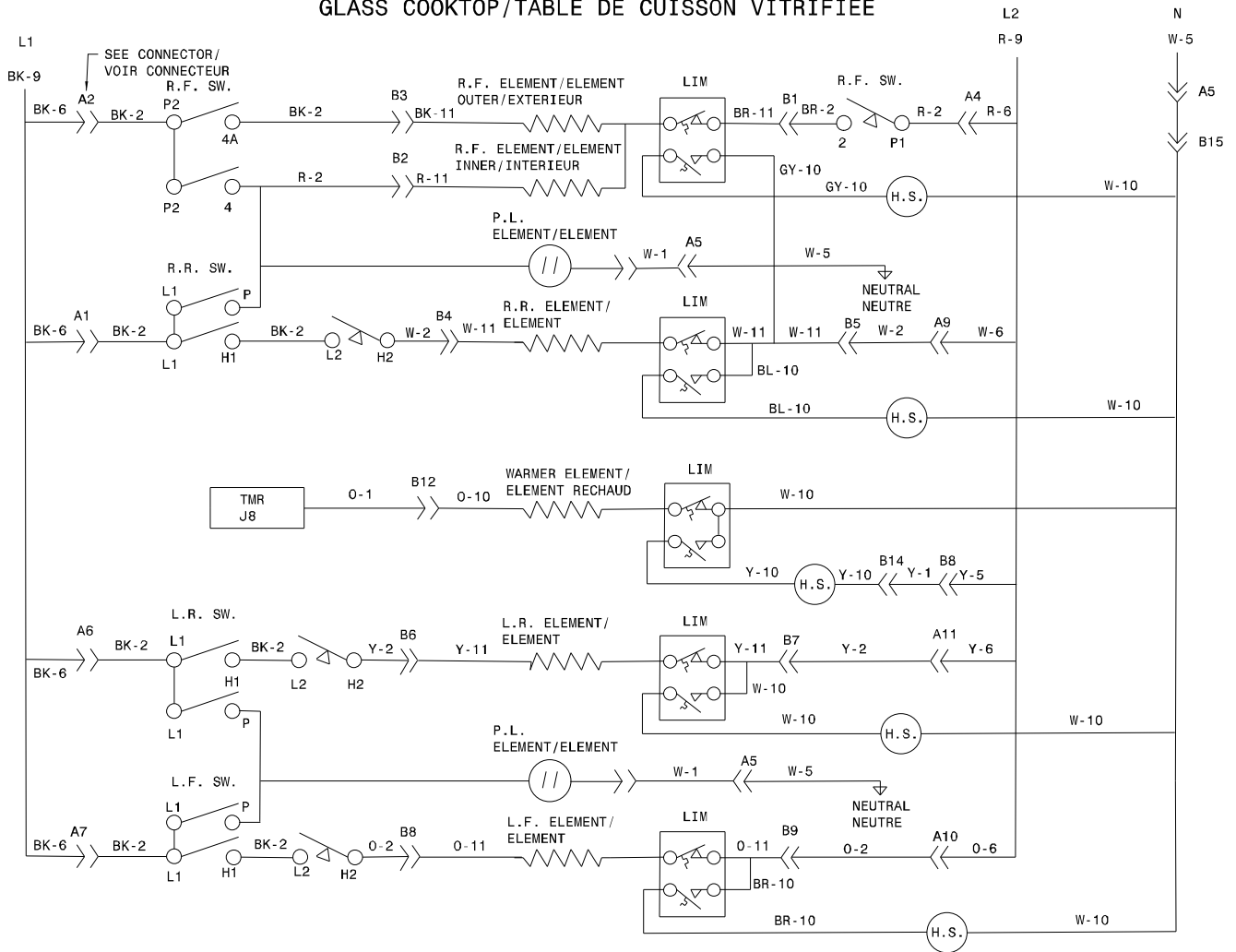
WIRE FIL	GAUGE CALIBRE	TEMP. °C	CSA	UL
1	18	125	CL1251	3173
2	16	125	CL1251	3173
3	14	125	CL1251	3173
4	12	125	CL1251	3173
5	18	150	EXL-150	3321
6	16	150	EXL-150	3321
7	14	150	EXL-150	3321
8	12	150	EXL-150	3321
9	10	150	EXL-150	3321
10	18	200	SEW-1	3122
11	16	200	SEW-1	3122
12	12	250		3252
13	16	250		3252
14	20	150	EXL-150	3321
15	8	150	EXL-150	3321



CAUTION: DISCONNECT POWER BEFORE SERVICING UNIT.
ATTENTION: COUPEZ L'ALIMENTATION AVANT D'EFFECTUER LA REPARATION.

318271979 REV:A
SHEET/FEUILLE: 1/2

**COOKTOP CIRCUIT // CIRCUIT TABLE CUISSON
GLASS COOKTOP/TABLE DE CUISSON VITRIFIEE**



<p>LIMITER/LIMITADOR/LIMITEUR E.G.O./A.K.O.</p> <div style="border: 1px dashed black; padding: 5px; margin: 5px auto; width: fit-content;"> <p align="center">ELEMENT LIMITOR/ ELEMENTO LIMITADOR/ LIMITEUR ELEMENT</p> </div> <p align="center"><small>HOT SURFACE CONTACT/ CONTACTO DE LA SUPERFICIE CALIENTE/ CONTACT SURFACE CHAUDE</small></p>	<table style="width: 100%; border-collapse: collapse;"> <tr> <td style="text-align: center; padding: 2px;">CONNECTOR CONNECTEUR A</td> <td style="text-align: center; padding: 2px;">CONNECTOR CONNECTEUR B</td> </tr> <tr> <td style="text-align: center; padding: 5px;"> <table border="1" style="width: 100%; border-collapse: collapse;"> <tr><td>1</td><td>2</td><td>3</td></tr> <tr><td>4</td><td>5</td><td>6</td></tr> <tr><td>7</td><td>8</td><td>9</td></tr> <tr><td>10</td><td>11</td><td>12</td></tr> </table> </td> <td style="text-align: center; padding: 5px;"> <table border="1" style="width: 100%; border-collapse: collapse;"> <tr><td>1</td><td>2</td><td>3</td></tr> <tr><td>4</td><td>5</td><td>6</td></tr> <tr><td>7</td><td>8</td><td>9</td></tr> <tr><td>10</td><td>11</td><td>12</td></tr> <tr><td>13</td><td>14</td><td>15</td></tr> </table> </td> </tr> </table>	CONNECTOR CONNECTEUR A	CONNECTOR CONNECTEUR B	<table border="1" style="width: 100%; border-collapse: collapse;"> <tr><td>1</td><td>2</td><td>3</td></tr> <tr><td>4</td><td>5</td><td>6</td></tr> <tr><td>7</td><td>8</td><td>9</td></tr> <tr><td>10</td><td>11</td><td>12</td></tr> </table>	1	2	3	4	5	6	7	8	9	10	11	12	<table border="1" style="width: 100%; border-collapse: collapse;"> <tr><td>1</td><td>2</td><td>3</td></tr> <tr><td>4</td><td>5</td><td>6</td></tr> <tr><td>7</td><td>8</td><td>9</td></tr> <tr><td>10</td><td>11</td><td>12</td></tr> <tr><td>13</td><td>14</td><td>15</td></tr> </table>	1	2	3	4	5	6	7	8	9	10	11	12	13	14	15
CONNECTOR CONNECTEUR A	CONNECTOR CONNECTEUR B																															
<table border="1" style="width: 100%; border-collapse: collapse;"> <tr><td>1</td><td>2</td><td>3</td></tr> <tr><td>4</td><td>5</td><td>6</td></tr> <tr><td>7</td><td>8</td><td>9</td></tr> <tr><td>10</td><td>11</td><td>12</td></tr> </table>	1	2	3	4	5	6	7	8	9	10	11	12	<table border="1" style="width: 100%; border-collapse: collapse;"> <tr><td>1</td><td>2</td><td>3</td></tr> <tr><td>4</td><td>5</td><td>6</td></tr> <tr><td>7</td><td>8</td><td>9</td></tr> <tr><td>10</td><td>11</td><td>12</td></tr> <tr><td>13</td><td>14</td><td>15</td></tr> </table>	1	2	3	4	5	6	7	8	9	10	11	12	13	14	15				
1	2	3																														
4	5	6																														
7	8	9																														
10	11	12																														
1	2	3																														
4	5	6																														
7	8	9																														
10	11	12																														
13	14	15																														

CAUTION: DISCONNECT POWER BEFORE SERVICING UNIT.
ATTENTION: COUPEZ L'ALIMENTATION AVANT D'EFFECTUER LA REPARATION.

**318271979 REV:A
SHEET/FEUILLE:2/2**