



---

# OUTDOOR BUILT-IN DUAL SIDE BURNERS

## Installation Instructions and Use & Care Guide

For questions about features, operation/performance, parts, accessories or service, call: **1-800-422-1230**

or visit our website at [www.kitchenaid.com](http://www.kitchenaid.com)

In Canada, call for assistance, installation and service, call: **1-800-807-6777**

or visit our website at [www.KitchenAid.ca](http://www.KitchenAid.ca)

---

# DEUX BRÛLEURS LATÉRAUX ENCASTRÉS POUR USAGE EXTÉRIEUR

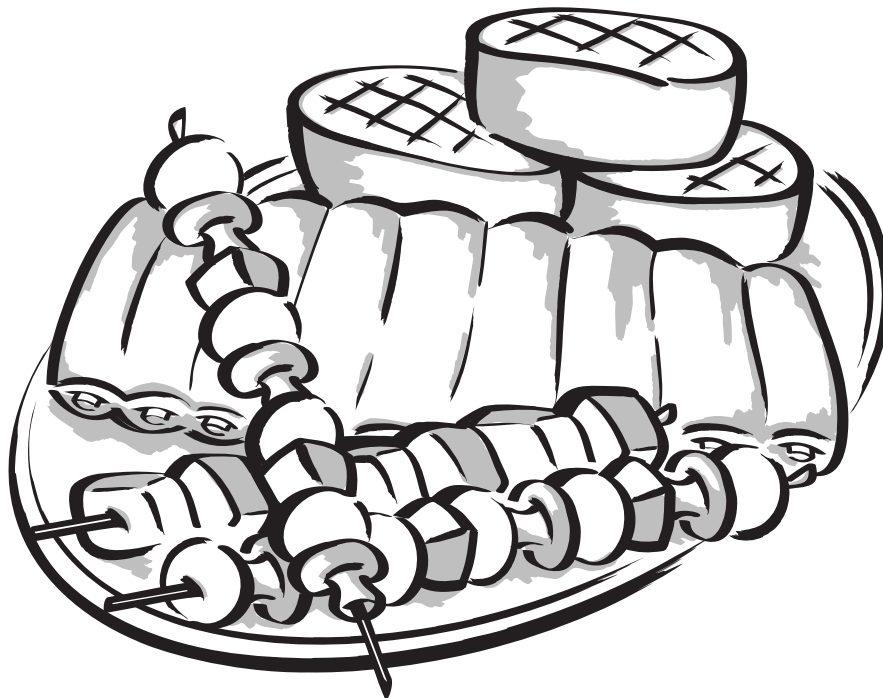
## Instructions d'installation et Guide d'utilisation et d'entretien

Au Canada, pour assistance, installation ou service composez le **1-800-807-6777** ou visitez notre site Web à...

[www.KitchenAid.ca](http://www.KitchenAid.ca)

---

Table of Contents/Table des matières..... 4



**IMPORTANT:**

Save for local electrical inspector's use.

**Installer:** Leave installation instructions with the homeowner.

**Homeowner:** Keep installation instructions for future reference.

**IMPORTANT :**

À conserver pour consultation par l'inspecteur local des installations électriques.

**Installateur :** Remettre les instructions d'installation au propriétaire.

**Propriétaire :** Conserver les instructions d'installation pour référence ultérieure.

**Models/Modèles KBZU122VSS KBZU242VSS KBZU122TSS KBZU242TSS**

**W10176789B**

## TABLE OF CONTENTS

<b>OUTDOOR BUILT-IN SIDE BURNER SAFETY .....</b>	<b>3</b>
<b>INSTALLATION REQUIREMENTS .....</b>	<b>5</b>
Tools and Parts .....	5
Location Requirements .....	6
Product Dimensions .....	6
Cabinet Dimensions .....	7
Electrical Requirements .....	10
Gas Supply Requirements .....	10
Gas Connection Requirements.....	11
Gas Connection Requirements.....	12
<b>INSTALLATION INSTRUCTIONS .....</b>	<b>13</b>
Built-in Outdoor Side Burner Installation.....	13
Install Tank Tray for 20 lb LP Gas Fuel Tank.....	13
<b>GAS CONVERSIONS.....</b>	<b>17</b>
Tools and Parts for Gas Conversion.....	17
Conversion to a Local LP Gas Supply.....	17
Conversion from LP Gas to Natural Gas .....	18
Check and Adjust the Burners.....	19
<b>USING YOUR OUTDOOR SIDE BURNER .....</b>	<b>20</b>
Lighting Your Side Burner.....	20
<b>OUTDOOR SIDE BURNER CARE .....</b>	<b>21</b>
General Cleaning.....	21
<b>TROUBLESHOOTING .....</b>	<b>22</b>
<b>ASSISTANCE OR SERVICE.....</b>	<b>22</b>
In the U.S.A. ....	23
Accessories .....	23
In Canada .....	23
<b>WARRANTY .....</b>	<b>23</b>

## TABLE DES MATIÈRES

<b>SÉCURITÉ DU BRÛLEUR LATÉRAL ENCASTRÉ D'EXTÉRIEUR .....</b>	<b>25</b>
<b>EXIGENCES D'INSTALLATION .....</b>	<b>27</b>
Outillage et pièces.....	27
Exigences d'emplacement.....	28
Dimensions du produit .....	28
Dimensions du placard .....	28
Spécifications électriques .....	32
Spécifications de l'alimentation en gaz .....	32
Exigences concernant le raccordement au gaz .....	33
Exigences concernant le raccordement au gaz .....	35
<b>INSTRUCTIONS D'INSTALLATION.....</b>	<b>35</b>
Installation du brûleur latéral d'extérieur encastré.....	35
Installation du chariot de bouteille de gaz propane de 20 lb ....	36
<b>CONVERSIONS DE GAZ .....</b>	<b>39</b>
Outillage et pièces.....	39
Conversion au gaz propane local .....	40
Conversion de gaz propane à Gaz naturel .....	41
Contrôle et réglage des brûleurs.....	42
<b>UTILISATION DU BRÛLEUR LATÉRAL D'EXTÉRIEUR .....</b>	<b>43</b>
Allumage du brûleur latéral .....	43
<b>ENTRETIEN DU BRÛLEUR LATÉRAL D'EXTÉRIEUR .....</b>	<b>44</b>
Nettoyage général .....	44
<b>DÉPANNAGE.....</b>	<b>45</b>
<b>ASSISTANCE OU SERVICE .....</b>	<b>46</b>
Accessoires .....	46
Au Canada.....	46
<b>GARANTIE.....</b>	<b>47</b>

# OUTDOOR BUILT-IN SIDE BURNER SAFETY

## Your safety and the safety of others are very important.

We have provided many important safety messages in this manual and on your appliance. Always read and obey all safety messages.



This is the safety alert symbol.

This symbol alerts you to potential hazards that can kill or hurt you and others.

All safety messages will follow the safety alert symbol and either the word "DANGER" or "WARNING." These words mean:

 **DANGER**

You can be killed or seriously injured if you don't immediately follow instructions.

 **WARNING**

You can be killed or seriously injured if you don't follow instructions.

All safety messages will tell you what the potential hazard is, tell you how to reduce the chance of injury, and tell you what can happen if the instructions are not followed.

### **DANGER**

If you smell gas:

1. Shut off gas to the appliance.
2. Extinguish any open flame.
3. Open lid.
4. If odor continues, keep away from the appliance and immediately call your gas supplier or your fire department.

### **WARNING**

1. Do not store or use gasoline or other flammable liquids or vapors in the vicinity of this or any other appliance.
2. An LP cylinder not connected for use shall not be stored in the vicinity of this or any other appliance.

State of California Proposition 65 Warnings:

WARNING: This product contains one or more chemicals known to the State of California to cause cancer.

WARNING: This product contains one or more chemicals known to the State of California to cause birth defects or other reproductive harm.

In the State of Massachusetts, the following installation instructions apply:

- Installations and repairs must be performed by a qualified or licensed contractor, plumber, or gasfitter qualified or licensed by the State of Massachusetts.
- If using a ball valve, it shall be a T-handle type.
- A flexible gas connector, when used, must not exceed 3 feet.

**IMPORTANT: This side burner is manufactured for outdoor use only.** For side burners that are to be used at elevations above 2000 ft (609.6 m) orifice conversion is required. See “Gas Supply Requirements” section. It is the responsibility of the installer to comply with the minimum installation clearances specified on the model/serial rating plate. The model/serial rating plate can be found on the right-hand side panel.

Copies of the standards listed may be obtained from:

National Fire Protection Association  
One Batterymarch Park  
Quincy, Massachusetts 02269

CSA International  
8501 East Pleasant Valley Rd.  
Cleveland, Ohio 44131-5575

## IMPORTANT SAFETY INSTRUCTIONS

**WARNING:** To reduce the risk of fire, electrical shock, injury to persons, or damage when using the outdoor cooking gas appliance, follow basic precautions, including the following:

- Do not install portable or built-in outdoor cooking gas appliances in or on a recreational vehicle, portable trailer, boat or in any other moving installation.
- Always maintain minimum clearances from combustible construction, see “Location Requirements” section.
- The outdoor cooking gas appliance shall not be located under overhead unprotected combustible construction.
- This outdoor cooking gas appliance shall be used only outdoors and shall not be used in a building, garage, or any other enclosed area.
- Keep any electrical supply cord and fuel supply hose away from any heated surfaces.
- Keep outdoor cooking gas appliance area clear and free from combustible materials, gasoline and other flammable vapors and liquids.
- Do not obstruct the flow of combustion and ventilation air. Keep the ventilation openings of the cylinder enclosure free and clear from debris.
- Inspect the gas cylinder supply hose before each use of the outdoor cooking gas appliance. If the hose shows excessive abrasion or wear, or is cut, it **MUST** be replaced before using the outdoor cooking gas appliance. Contact your dealer and use only replacement hoses specified for use with the outdoor cooking gas appliance.
- Visually check the burner flames. They should be blue. Slight yellow tipping is normal for LP gas.
- Check and clean burner/venturi tube for insects and insect nest. A clogged tube can lead to fire under the outdoor cooking gas appliance.

- The LP gas supply cylinder to be used must be:
  - constructed and marked in accordance with the Specification for LP Gas Cylinders of the U.S. Department of Transportation (DOT) or the National Standard of Canada, CAN/CSA-B339, Cylinders, Spheres, and Tubes for Transportation of Dangerous Goods; and Commission.
  - provided with a listed overfilling prevention device.
  - provided with a cylinder connection device compatible with the connection for outdoor cooking gas appliances.
- Always check connections for leaks each time you connect and disconnect the LP gas supply cylinder. See “Installation Instructions” section.
- When the outdoor cooking gas appliance is not in use, the gas must be turned off at the supply cylinder.
- Storage of an outdoor cooking gas appliance indoors is permissible only if the cylinder is disconnected and removed from the outdoor cooking gas appliance.
- Cylinders must be stored outdoors and out of the reach of children and must not be stored in a building, garage, or any other enclosed area.
- The pressure regulator and hose assembly supplied with the outdoor cooking gas appliance must be used. A replacement pressure regulator and hose assembly specific to your model is available from your outdoor cooking gas appliance dealer.
- Gas cylinder must include a collar to protect the cylinder valve.
- For appliances designed to use a CGA791 Connection: Place a dust cap on cylinder valve outlet whenever the cylinder is not in use. Only install the type of dust cap on the cylinder valve outlet that is provided with the cylinder valve. Other types of caps or plugs may result in leakage of propane.

If the following information is not followed exactly, a fire causing death or serious injury may occur.

- Do not store a spare LP gas cylinder under or near this outdoor cooking gas appliance.
- Never fill the cylinder beyond 80 percent full.

## SAVE THESE INSTRUCTIONS

---

# INSTALLATION REQUIREMENTS

---

## Tools and Parts

Gather the required tools and parts before starting installation. Read and follow the instructions provided with any tools listed here.

---

### 20 lb LP Gas Models (KBZU122VSS00)

---

#### Tools Needed

- Tape measure
- Small, flat-blade screwdriver
- Flat-blade screwdriver
- #2 and #3 Phillips screwdriver
- Level
- Wrench or pliers
- Pipe wrench
- Scissors or cutting pliers (to remove tiedowns)
- Noncorrosive leak-detection solution

#### Parts Supplied

- Gas pressure regulator/hose assembly set for 11" WCP LP gas (attached to manifold)
- 1 single-prong plug/2,085 mA transformer assembly
- Convertible regulator set for 4" WCP Natural gas
- Orifices for Natural gas conversion
- LP gas fuel tank tray

#### Parts Needed

- 20 lb LP gas fuel tank - approximately 18" (45.7 cm) height and 12" (30.5 cm) diameter
- Mounting hardware for attaching the tank tray mounting brackets to the base or floor of the island
- Mounting hardware for attaching the power transformer to a noncombustible surface inside the island cabinet
- 3-prong outdoor GFI outlet
- A bracket or shelf large enough to keep a second 20 lb LP tank from being stored in the storage area.

---

### Natural Gas Models (KBZU122TSS00, KBZU242TSS00 and KBZU122VSS01)

---

#### Tools Needed

- Tape measure
- Small, flat-blade screwdriver
- Flat-blade screwdriver
- #2 and #3 Phillips screwdriver
- Level
- Wrench or pliers
- Pipe wrench
- Scissors or cutting pliers (to remove tiedowns)
- Noncorrosive leak-detection solution

#### Parts Needed

- Gas line shutoff valve
- ½" male pipe thread nipple for connection to pressure regulator
- LP gas-resistant pipe-joint compound
- CSA design-certified outdoor flexible stainless steel appliance connector (4-5 ft [1.2-1.5 m]) or rigid gas supply line as needed.

#### Parts Supplied

- Convertible regulator set for 4" WCP Natural gas.
- Single-prong plug/2,085 mA transformer assembly

## Location Requirements

Select a location that provides minimum exposure to wind and traffic paths. The location should be away from strong draft areas.

Do not obstruct flow of combustion and ventilation air.

Clearance to combustible construction for built-in outdoor side burners:

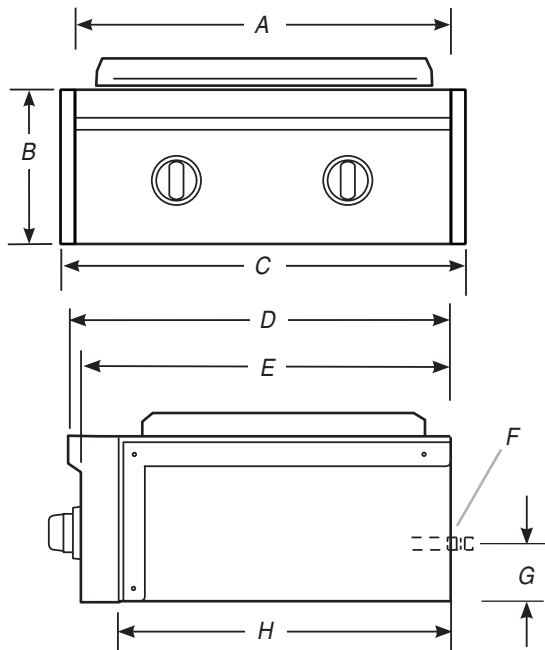
- A minimum of 24" (58 cm) must be maintained between the sides and back and any combustible construction.
- A zero clearance may be maintained below the cooking surface and any combustible construction.

## Ignition

A grounded, 3-prong outdoor GFI outlet is to be located inside the island cabinet and to the left of the side burner. See "Electrical Requirements" section.

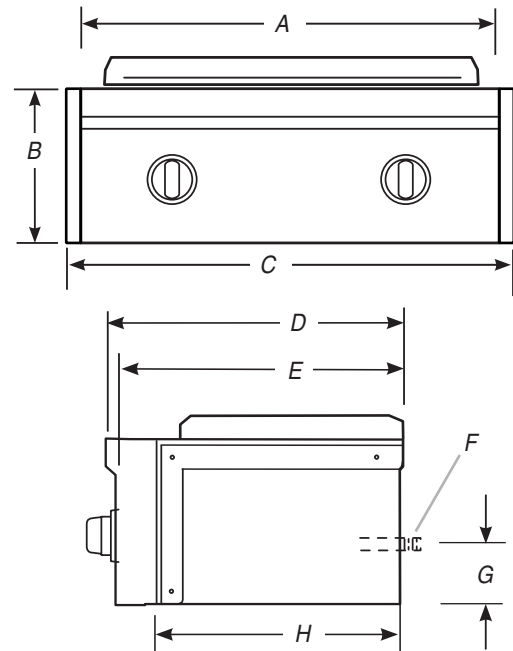
## Product Dimensions

### Style 1 - Front to Back Built-In Dual Side Burners



- |   |   |
|---|---|
| A. 13" (33 cm)                              | E. 25 <sup>3</sup> / <sub>8</sub> " (64.5 cm) |
| B. 10 <sup>5</sup> / <sub>8</sub> " (27 cm) | F. Manifold pipe                              |
| C. 17" (43.2 cm)                            | G. 4 <sup>3</sup> / <sub>8</sub> " (11.1 cm)  |
| D. 26 <sup>3</sup> / <sub>8</sub> " (67 cm) | H. 22 <sup>3</sup> / <sub>4</sub> " (57.8 cm) |

### Style 2 - Side by Side Built-In Dual Side Burners



- |   |   |
|---|---|
| A. 24" (61 cm)                                | E. 19 <sup>1</sup> / <sub>2</sub> " (49.5 cm) |
| B. 10 <sup>5</sup> / <sub>8</sub> " (27 cm)   | F. Manifold pipe                              |
| C. 28" (71.1 cm)                              | G. 4 <sup>3</sup> / <sub>8</sub> " (11.1 cm)  |
| D. 20 <sup>1</sup> / <sub>2</sub> " (52.1 cm) | H. 17" (43.2 cm)                              |

### Built-In Outdoor Side Burner Enclosure

This built-in outdoor side burner is for installation in a built-in enclosure constructed of combustible and non-combustible materials. Some types of noncombustible materials could be brick, firewall or steel. Some types of combustible materials could be wood or laminate.

The enclosure for the built-in outdoor side burner is to be a minimum of 11" (28.0 cm) high x 23" (58.4 cm) deep x 14" (35.6 cm) wide for front to back model and 11" (28.0 cm) high x 17" (43.2 cm) deep x 25" (63.5 cm) wide for side by side model.

## Cabinet Dimensions

Counter or support surfaces must be level.

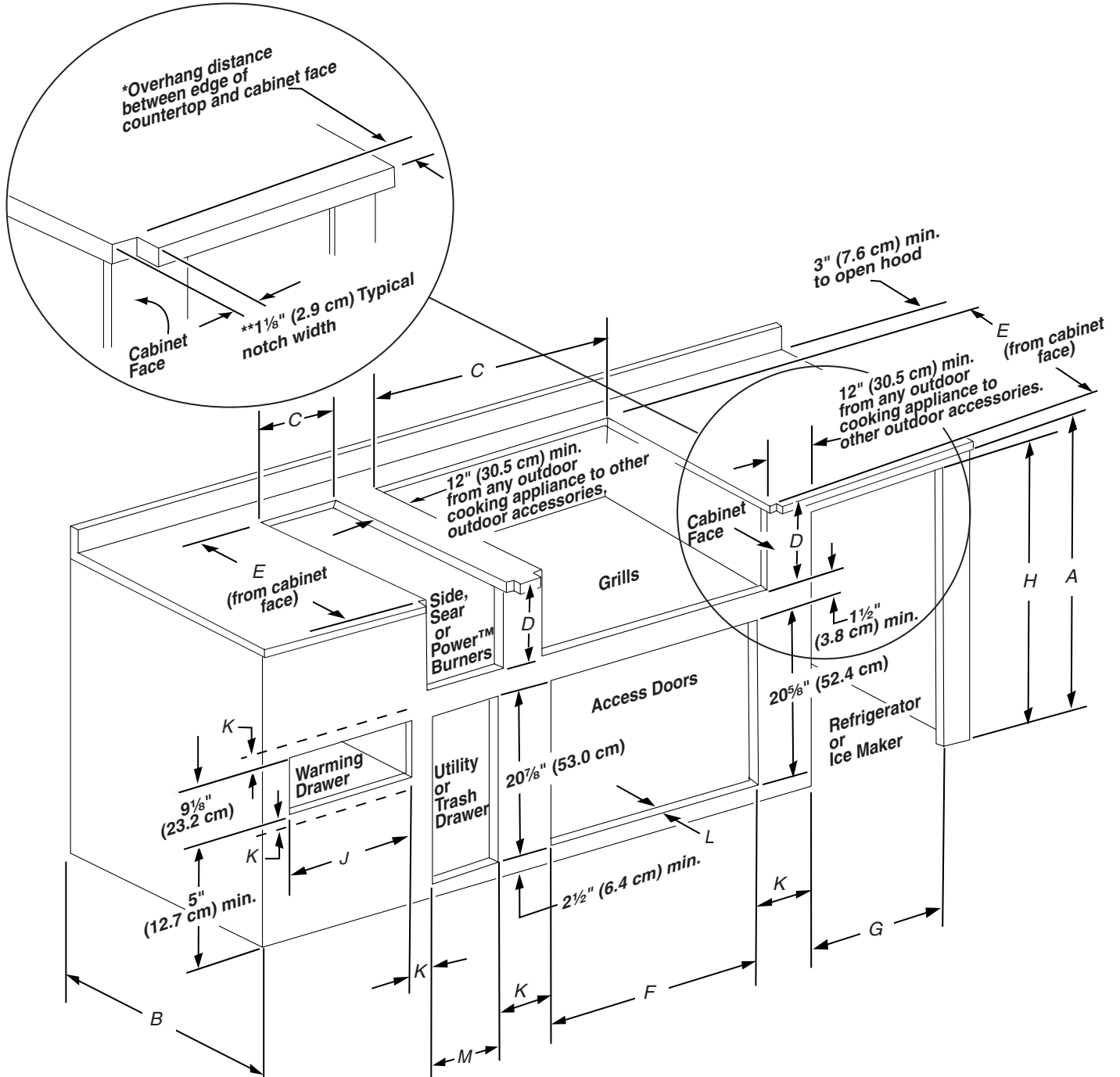
The installation of this side burner must conform with local codes or, in the absence of local codes, with either the National Fuel Gas Code, ANSI Z223.1/NPFA 54, Natural Gas and Propane Installation Code, CSA B149.1, or Propane Storage and Handling Code, B149.2.

Copies of the standards listed may be obtained from:  
 CSA International  
 8501 East Pleasant Valley Rd.  
 Cleveland, Ohio 44131-5575

**NOTE:** The outdoor side burner drops into the enclosure opening and is supported by its side flanges. No bottom support is needed.

The following dimension chart and illustration include cutout dimensions and minimum spacing requirements for all built-in outdoor products. The illustration is for reference. The design of your cabinet layout can be personalized, but the dimensions for the cutouts and minimum spacing must be followed.

**\*NOTE:** Maintain a minimum  $\frac{3}{4}$ " (1.9 cm) countertop overhang from the door/drawer mounting surface to help keep water runoff from the countertop out of the door or drawer.



\*\*Each corner of countertop cutouts for built-in grill, side burner, sear burner, Power™ burner and refreshment center.

## Minimum Spacing Requirement Between Cutouts - Dimension K

### Between 2 or more sets of Access Doors adjacent to each other:

K = 14" (35.6 cm) when 2 adjacent doors are opened to 90 degrees

K = 8" (20.3 cm) when 1 of the adjacent doors is opened to 90 degrees

### Between a set of Access Doors and a Trash Drawer, Utility Drawer, Warming Drawer, Refrigerator, or Ice Maker:

K = 8" (20.3 cm) when 1 of the adjacent doors is opened to 90 degrees

### Between a Trash Drawer, Utility Drawer, or Warming Drawer:

K = 3" (7.6 cm)

### Cabinet Height and Depth Dimensions

	Dimension A Minimum	Dimension B Minimum
With outdoor refrigerator	37" (94.0 cm)	26" (66.0 cm)
Grill with insulated jacket	36½" (92.7 cm)	27" (68.6 cm)
Grill without insulated jacket	35½" (90.2 cm)	26" (66.0 cm)

### Cutout Dimensions - Built-in Grill

Grill Size	Dimension C	Dimension D	Dimension E
27" (68.6 cm)	29⅝" (75.2 cm)	10¾" (27.3 cm)	22⅞" (58.1 cm)
36" (91.4 cm)	38⅝" (98.1 cm)	10¾" (27.3 cm)	22⅞" (58.1 cm)
48" (121.9 cm)	50⅝" (128.6 cm)	10¾" (27.3 cm)	22⅞" (58.1 cm)

### Cutout Dimensions - Built-in Grill with Insulated Jacket

Grill Size	Dimension C	Dimension D	Dimension E
27" (68.6 cm)	33" (83.8 cm)	11¾" (29.8 cm)	24" (61.0 cm)
36" (91.4 cm)	42" (106.7 cm)	11¾" (29.8 cm)	24" (61.0 cm)
48" (121.9 cm)	54" (137.2 cm)	11¾" (29.8 cm)	24" (61.0 cm)

### Cutout Dimensions - Built-in Power™ Burner

	Dimension C	Dimension D	Dimension E
	19⅜" (49.2 cm)	10¾" (27.3 cm)	19¾" (50.2 cm)

### Cutout Dimensions - Built-in Side Burner

Burner Position	Dimension C	Dimension D	Dimension E
Front to Back	13½" (34.3 cm)	10¾" (27.3 cm)	22⅝" (57.5 cm)
Side by Side	24½" (62.2 cm)	10¾" (27.3 cm)	16⅞" (42.9 cm)

### Cutout Dimensions - Built-in Sear Burner

	Dimension C	Dimension D	Dimension E
	13½" (34.3 cm)	10⅝" (27.0 cm)	22⅞" (57.6 cm)



**Cutout Dimensions - Built-in Refreshment Center**

Dimension C	Dimension D	Dimension E
30½" (77.5 cm)	10¾" (27.3 cm)	23" (58.4 cm)

**Cutout Dimensions - Built-in Access Doors**

Door Size	Dimension F	Dimension L*
18" (45.7 cm)	16¾" (41.1 cm)	1½" (3.8 cm)
27" (68.6 cm)	25½" (63.8 cm)	1½" (3.8 cm)
30" (76.2 cm)	28½" (71.4 cm)	1½" (3.8 cm)
36" (91.4 cm)	34½" (86.7 cm)	1½" (3.8 cm)
48" (121.9 cm)	46½" (117.2 cm)	1½" (3.8 cm)

\*Dimension L is the minimum mounting surface area around the opening for mounting the optional door or drawers.

**Cutout Dimensions - Outdoor Refrigerator**

Dimension G	Dimension H
24" (61.0 cm)	35¼" (89.5 cm)

**Cutout Dimensions - Outdoor Ice Maker**

Dimension G	Dimension H
18" (45.7 cm)	34" (86.4 cm) min. to 34½" (87.6 cm) max.

**Cutout Dimensions - Built-in Warming Drawer**

Warming Drawer Size	Dimension J
24" (61.0 cm)	22½" (57.2 cm)

**Cutout Dimensions - Built-in Utility Drawer and Built-in Trash Drawer**

Dimension M	Dimension L*
12¼" (31.1 cm)	1½" (3.8 cm)

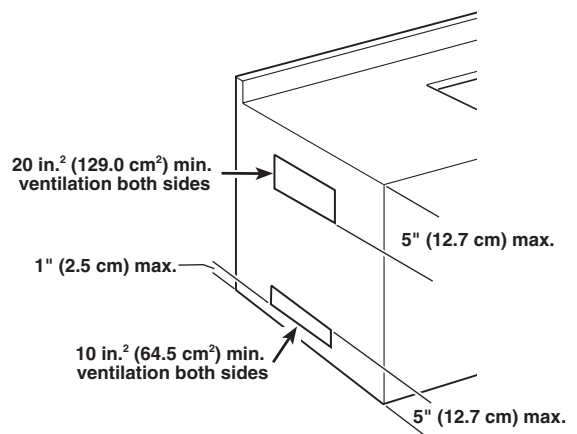
\*Dimension L is the minimum mounting surface area around the opening for mounting the optional door or drawers.

**Built-in Outdoor Grill Enclosure Ventilation for LP Gas:**

An enclosure for an LP gas fuel tank is to be ventilated by openings at both the top and lower levels of the enclosure.

**If converting to LP gas, these vents are to be in the enclosure:**

An enclosure for use with an LP gas fuel tank for built-in installation is to have at least one ventilation opening on an exposed exterior side located within 5" (12.7 cm) of the top is to be a minimum of 20 in.<sup>2</sup> (129.0 cm<sup>2</sup>). One ventilation opening within 1" (2.5 cm) of the bottom of the enclosure and the bottom opening is to be a minimum of 10 in.<sup>2</sup> (64.5 cm<sup>2</sup>). All vent openings are to be unobstructed. Every opening is to be a minimum of ½" (0.32 cm) wide.



## Electrical Requirements

### **⚠ WARNING**



#### Electrical Shock Hazard

**Plug into a grounded 3 prong outlet.**

**Do not remove ground prong.**

**Do not use an adapter.**

**Do not use an extension cord.**

**Failure to follow these instructions can result in death, fire, or electrical shock.**

If codes permit and a separate ground wire is used, it is recommended that a qualified electrician determine that the ground path is adequate.

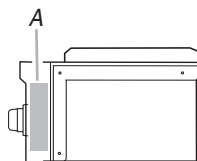
Check with a qualified electrician if you are not sure whether the side burner is properly grounded.

A 120-volt, 60-Hz, AC-only, 15-amp, fused electrical supply is required.

It is recommended that a separate circuit servicing only this side burner be provided.

- To avoid electrical shock, do not immerse cord or plugs in water or other liquid.
- Unplug from the outlet when not in use and before cleaning. Allow to cool before putting on or taking off parts.
- Do not operate any outdoor cooking gas appliance with a damaged cord, damaged plug, or after the appliance malfunctions or has been damaged in any manner. Contact the manufacturer for repair.
- Do not let the cord hang over the edge of a table or touch hot surfaces.
- Do not use an outdoor cooking appliance for purposes other than intended.
- When connecting, first connect plug to the outdoor cooking gas appliance then plug appliance into the outlet.
- Use only a Ground Fault Interrupter (GFI) protected circuit with this outdoor cooking gas appliance.
- Do not remove the ground prong or use with an adapter of 2 prongs.

The model/serial number rating plate is located on the right-hand side panel. See the following illustration.



A. Model/serial number plate

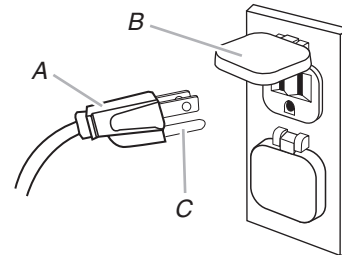
## Recommended Ground Method

The outdoor side burner, when installed, must be electrically grounded in accordance with local codes or, in the absence of local codes, with the National Electrical Code ANSI/NFPA 70, or Canadian Electrical Code, CSA C22.1.

Copies of the standards listed above may be obtained from:

CSA International  
8501 East Pleasant Valley Rd.  
Cleveland, Ohio 44131-5575

National Fire Protection Association  
One Batterymarch Park  
Quincy, Massachusetts 02269



A. 3 prong ground plug

B. 3-prong polarized type outdoor GFI outlet

C. Ground prong

## Gas Supply Requirements

### **⚠ WARNING**



#### Explosion Hazard

**Use a new CSA International approved “outdoor” gas supply line.**

**Securely tighten all gas connections.**

**If connected to LP, have a qualified person make sure gas pressure does not exceed 11” (28 cm) water column.**

**Examples of a qualified person include:**

**licensed heating personnel,  
authorized gas company personnel, and  
authorized service personnel.**

**Failure to do so can result in death, explosion, or fire.**

Observe all governing codes and ordinances.

**IMPORTANT:** This installation must conform with all local codes and ordinances. In the absence of local codes, installation must conform with American National Standard, National Fuel Gas Code ANSI Z223.1 - latest edition or CAN/CGA B149.1 - latest edition.

**IMPORTANT:** The side burner must be connected to a regulated gas supply.

Refer to the model/serial rating plate for information on the type of gas that can be used. If this information does not agree with the type of gas available, check with your local gas supplier.

### Gas Conversion:

No attempt shall be made to convert the side burner from the gas specified on the model/serial rating plate for use with a different gas type without consulting the serving gas supplier. The conversion kits supplied with the side burner must be used. See "Gas Conversions" section for instructions.

### Gas Pressure Regulator

The gas pressure regulator supplied with this side burner must be used. The inlet (supply) pressure to the regulator should be as follows for proper operation:

#### LP Gas:

Set pressure: 11" (27.9 cm) WCP

Inlet (supply) pressure: 11" to 14" (27.9 cm to 35.5 cm) WCP

#### Natural Gas:

Set pressure: 4" (10.2 cm) WCP

Inlet (supply) pressure: 7" to 14" (17.8 cm to 35.5 cm) WCP maximum.

Contact local gas supplier if you are not sure about the inlet (supply) pressure.

### Burner Requirements for High Altitude

Input ratings shown on the model/serial rating plate are for elevations up to 2,000 ft (609.6 m).

For elevations above 2,000 ft (609.6 m), ratings are reduced at a rate of 4% for each 1,000 ft (304.8 m) above sea level. Orifice conversion is required. See "Assistance or Service" section to order.

### Gas Supply Line Pressure Testing

#### Testing above ½ psi (3.5 kPa) or 14" (35.5 cm) WCP (gauge):

The side burner and its individual shutoff valve must be disconnected from the gas supply piping system during any pressure testing of that system at test pressures greater than ½ psi (3.5 kPa).

#### Testing below ½ psi (3.5 kPa) or 14" (35.5 cm) WCP (gauge) or lower:

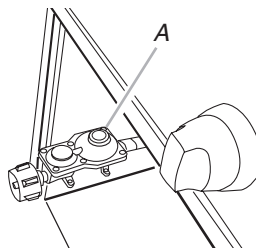
The side burner must be isolated from the gas supply piping system by closing its individual manual shutoff valve during any pressure testing of the gas supply piping system at test pressures equal to or less than ½ psi (3.5 kPa).

## Gas Connection Requirements For Models Equipped for LP Gas

### 20 lb LP Gas Fuel Tank

This side burner is equipped for use with a 20 lb LP gas fuel tank (fuel tank not supplied). A gas pressure regulator/hose assembly is supplied.

It is also design-certified by CSA International for local LP gas supply or for Natural gas with appropriate conversion.

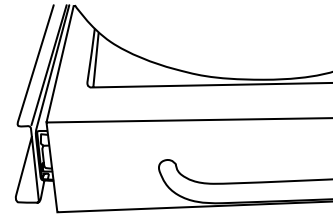


A. Gas pressure regulator/hose assembly

The 20 lb LP gas fuel tank must be mounted and secured.

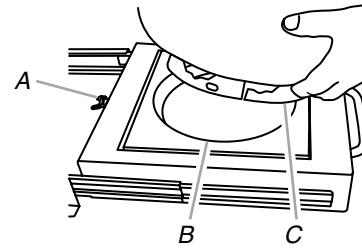
### Door Style Tank Tray

1. Open cabinet doors.
2. Pull out the tank tray.



Tank tray

3. Place the 20 lb LP gas fuel tank bottom collar into the mounting hole in the tank tray.
4. Tighten the locking screw against the bottom collar of the 20 lb LP gas fuel tank to secure.



A. Locking screw

B. Mounting hole

C. Bottom collar

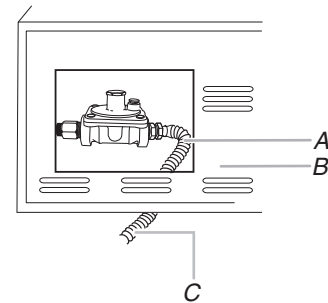
5. Slide tank tray back into the cabinet.
6. Close cabinet doors.

### Local LP Gas Supply Conversion

Conversion must be made by a qualified gas technician. The qualified gas technician shall provide the gas supply to the selected side burner location in accordance with the National Fuel Gas Code ANSI Z223.1/NFPA 54 - latest edition, and local codes. For conversion to local LP, the convertible regulator in the conversion kit supplied with the side burner must be used.

**IMPORTANT:** The gas installation must conform with local codes, or in the absence of local codes, with the National Fuel Gas Code, ANSI Z223.1/NFPA 54 - latest edition. The qualified LP gas technician shall provide the LP gas supply to the selected side burner location in accordance with the National Fuel Gas Code, ANSI Z223.1/NFPA 54 and local codes.

Follow instructions for converting to local LP gas in the "Gas Conversions" section.

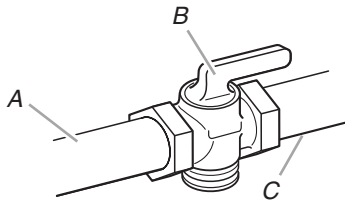


A. New CSA International approved "outdoor" flexible gas supply line

B. Rear of side burner

C. To local LP gas supply

The gas supply line shall be equipped with an approved shutoff valve. This valve should be located in the same area as the side burner and should be in a location that allows ease of opening and closing. Do not block access to the shutoff valve. The valve is for turning on or shutting off gas to the side burner.



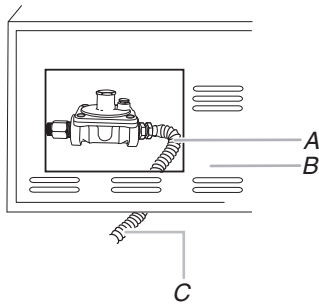
A. Gas supply line  
B. Shutoff valve "open" position  
C. To side burner

## Natural Gas Conversion

Conversion must be made by a qualified gas technician. The qualified Natural gas technician shall provide the Natural gas supply to the selected side burner location in accordance with the National Fuel Gas Code ANSI Z223.1/NFPA 54 - latest edition, and local codes. For conversion to Natural gas, the Natural gas conversion kit supplied with the side burner must be used.

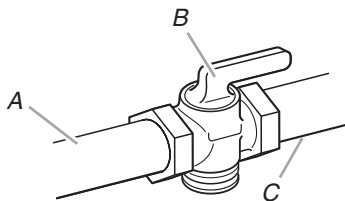
**IMPORTANT:** The gas installation must conform with local codes, or in the absence of local codes, with the National Fuel Gas Code, ANSI Z223.1/NFPA 54 - latest edition.

To convert to Natural gas, the Natural Gas Conversion Kit supplied with the side burner must be used. Follow instructions for converting to Natural gas in the "Gas Conversions" section.



A. New CSA International approved "outdoor" flexible gas supply line  
B. Rear of side burner  
C. To Natural gas supply

The gas supply line shall be equipped with an approved shutoff valve. This valve should be located in the same area as the side burner and should be in a location that allows ease of opening and closing. Do not block access to the shutoff valve. The valve is for turning on or shutting off gas to the side burner.



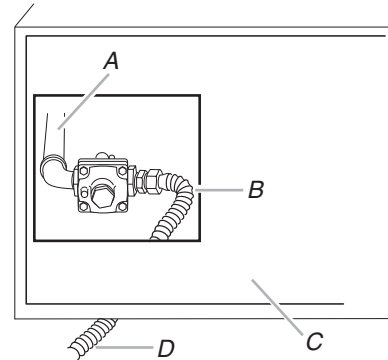
A. Gas supply line  
B. Shutoff valve "open" position  
C. To side burner

## Gas Connection Requirements For Models Equipped for Natural Gas

### Natural Gas

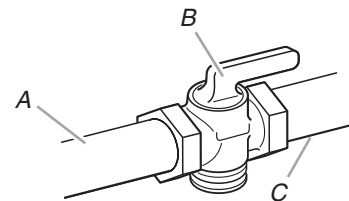
Built-in side burner models are equipped for use with Natural gas. They are design-certified by CSA International for LP (propane or butane) gases with appropriate conversion.

Built-in models are set for Natural gas use and have a pressure regulator with 1/2" female pipe threads.



A. Side burner gas pipe  
B. New CSA International approved "outdoor" flexible gas supply line  
C. Rear of side burner  
D. To Natural gas supply

The supply line shall be equipped with an approved shutoff valve. This valve should be located in the same area as the side burner and should be in a location that allows ease of opening and closing. Do not block access to the shutoff valve. The valve is for turning on or shutting off gas to the side burner.

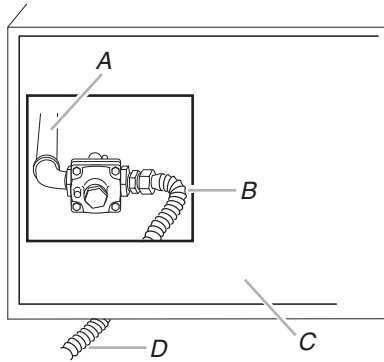


A. Gas supply line  
B. Shutoff valve "open" position  
C. To side burner

### LP Gas Conversion Using a Local LP Gas Supply

Conversion must be made by a qualified person. A qualified Natural gas technician shall provide the LP gas supply to the selected side burner location in accordance with the National Fuel Gas Code ANSI Z223.1/NFPA 54 - latest edition, and local codes.

To convert to LP gas, the LP Gas Conversion Kit Part Number W10118099 must be used. Follow instructions included with kit.



- A. Side burner gas pipe
- B. New CSA International approved "outdoor" flexible gas supply line
- C. Rear of side burner
- D. To local gas supply

### LP Gas Conversion Using a 20 lb LP Gas Fuel Tank

To convert to LP gas, the LP Gas Conversion Kit Part Number W10118099 must be used. Follow instructions included with kit. A 20 lb LP gas fuel tank must be purchased separately.

## INSTALLATION INSTRUCTIONS

### Built-in Outdoor Side Burner Installation

#### **⚠ WARNING**

##### **Excessive Weight Hazard**

**Use two or more people to move and install side burner.**

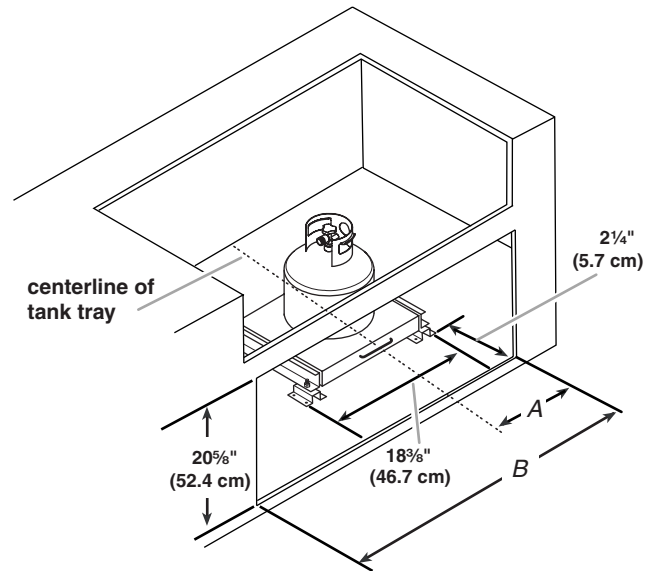
**Failure to do so can result in back or other injury.**

- Unpack side burner. Remove all packaging materials and remove side burner from carton.
- Place side burner into outdoor enclosure, but leave enough room in back to connect to gas supply and electrical single prong plug-in.

### Install Tank Tray for 20 lb LP Gas Fuel Tank

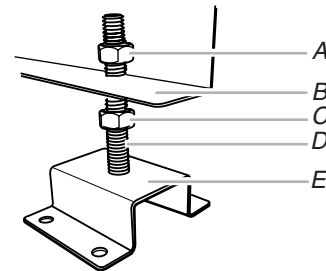
For Models Equipped for Use with a 20 lb LP Tank

1. Position the tank tray for 20 lb LP gas fuel tank in the island cabinet.



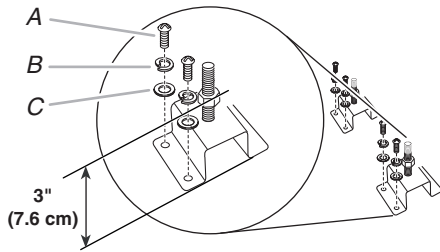
	Dimension A	Dimension B
Front to back burner	8 <sup>3</sup> / <sub>32</sub> " (20.6 cm)	16 <sup>3</sup> / <sub>16</sub> " (41.1 cm)
Side by side burner	12 <sup>9</sup> / <sub>16</sub> " (31.9 cm)	25 <sup>1</sup> / <sub>8</sub> " (63.8 cm)

2. Square the tank tray mounting brackets and mark the mounting hole locations in the island base.
3. Remove the top nuts (4) from the tank tray assembly and lift the tank tray off of the mounting brackets.



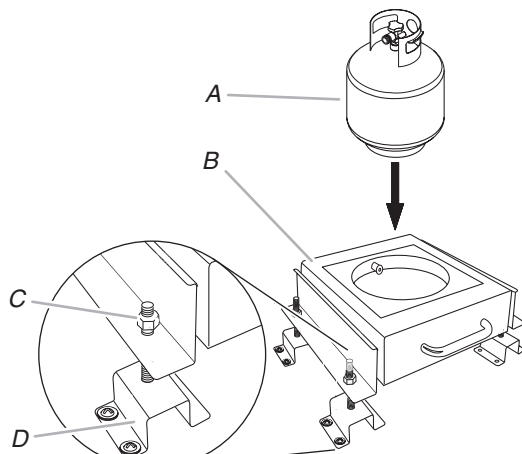
- A. Top nut
- B. Tank tray
- C. Bottom nut
- D. Bolt
- E. Mounting bracket

- Install the tank tray mounting brackets to the base or floor of the island using the proper size and type of mounting hardware (not supplied). Tighten mounting hardware.



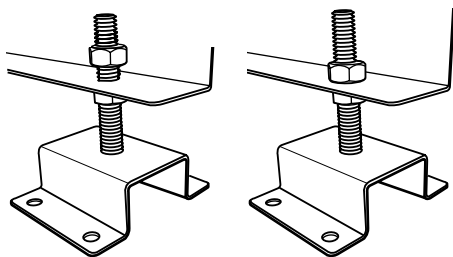
- A. Screw (Use proper screw for island floor material.)  
 B. Lock washer  
 C. Flat washer

- Pre-adjust each of the bottom nuts on the mounting brackets to 3" (7.6 cm) from the base of the island to the top of the nuts.
- Remount the tank tray back onto the mounting brackets. Replace the 4 top nuts but do not tighten.



- A. 20 lb LP gas fuel tank  
 B. Tank tray for 20 lb gas fuel tank  
 C. Top nut (do not tighten)  
 D. Mounting bracket

- The tank tray for the 20 lb LP gas fuel tank must be adjusted so that the bottom of the tank tray is  $\frac{1}{8}$ " (0.32 cm) above the cabinet door opening and is level. The top nut on each of the mounting brackets is to be loose. Turn the bottom nuts counterclockwise to raise the tank tray and turn the bottom nuts clockwise to lower the tank tray. When the tank tray is level and slides in and out without touching the cabinet door opening at the bottom or top with the 20 lb LP tank installed, tighten the top nuts against the adjustment flange.



- A. Top nut loosened  
 B. Top nut tightened

**NOTE:** A bracket or shelf (not supplied) that is large enough to keep a second 20 lb LP gas fuel tank from being stored in the storage area under the side burner is required to be mounted inside the island.

## Make Gas Connection

### Gas Connection to a 20 lb LP Gas Fuel Tank

# ⚠ WARNING



### Explosion Hazard

Use a new CSA International approved "outdoor" gas supply line.

Securely tighten all gas connections.

If connected to LP, have a qualified person make sure gas pressure does not exceed 11" (28 cm) water column.

Examples of a qualified person include:

licensed heating personnel,  
 authorized gas company personnel, and  
 authorized service personnel.

Failure to do so can result in death, explosion, or fire.

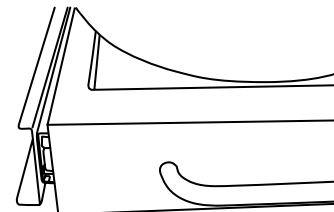
If converting to local LP or Natural gas, follow the instructions in the "Gas Conversions" section.

**IMPORTANT:** A 20 lb LP gas fuel tank must be purchased separately.

**IMPORTANT:** The gas pressure regulator/hose assembly supplied with the side burner must be used. Replacement gas pressure regulator/hose assembly specific to your model, is available from your outdoor side burner dealer.

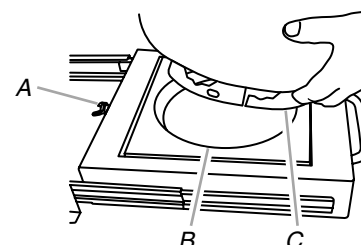
#### To Install the 20 lb LP Gas Fuel Tank:

- Open cabinet doors.
- Pull out the tank tray.



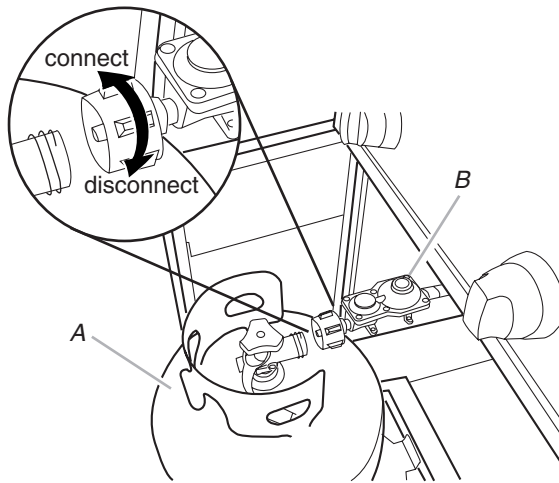
Tank tray

- Place the 20 lb LP gas fuel tank bottom collar into the mounting hole in the tank tray.
- Tighten the locking screw against the bottom collar of the 20 lb LP gas fuel tank to secure.



- A. Locking screw  
 B. Mounting hole  
 C. Bottom collar

- Screw the gas pressure regulator/hose assembly to the 20 lb LP gas fuel tank as shown. (To disconnect, turn off the gas supply to the 20 lb LP gas fuel tank, then unscrew the gas pressure regulator/hose assembly from the 20 lb LP gas fuel tank as shown.)



A. 20 lb LP gas fuel tank  
B. Gas pressure regulator/hose assembly

- Turn on the gas supply. Wait a few minutes for gas to move through the gas line.
- Test all connections by brushing on an approved noncorrosive leak-detection solution. Bubbles will show a leak. Correct any leak found.
- Slide tank tray back into the cabinet.
- Go to “Plug in Side Burner” in this section.

#### Gas Connection to Natural Gas or Local LP Gas

### **⚠ WARNING**



#### Explosion Hazard

Use a new CSA International approved “outdoor” gas supply line.

Securely tighten all gas connections.

If connected to LP, have a qualified person make sure gas pressure does not exceed 11” (28 cm) water column.

Examples of a qualified person include:

licensed heating personnel,  
authorized gas company personnel, and  
authorized service personnel.

Failure to do so can result in death, explosion, or fire.

This installation must conform with local codes and ordinances. In the absence of local codes, installations must conform with either the National Fuel Gas Code ANSI Z223.1 - latest edition, or CAN/CGA-B149.1 Natural Gas and Propane installation code.

Copies of the standards listed above may be obtained from:

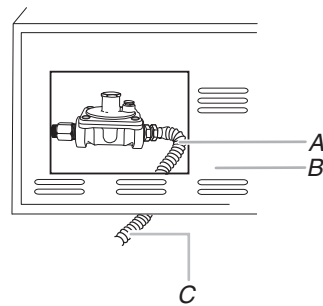
CSA International  
8501 East Pleasant Valley Rd.  
Cleveland, Ohio 44131-5575

National Fire Protection Association  
One Batterymarch Park  
Quincy, Massachusetts 02269

- Make gas connections.

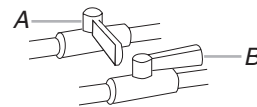
A combination of pipe fittings must be used to connect the side burner to the existing gas line.

- If local codes permit, use an outdoor flexible stainless steel tubing gas connector, design-certified by CSA International, to connect the side burner to the rigid gas supply line. A 3/8" diameter line is recommended. Using a wrench to tighten, connect the gas supply to the side burner. Use pipe-joint compound on all non-flared male threads. Do not kink or damage the flexible connector when moving the side burner.
- Pipe-joint compounds suitable for use with LP gas must be used. Do not use TEFLON® tape.



A. New CSA International approved “outdoor” flexible gas supply line  
B. Rear of side burner  
C. To Natural gas or Local LP gas supply

- Open the manual shutoff valve in the gas supply line. The valve is open when the handle is parallel to the gas pipe.



A. Closed valve  
B. Open valve

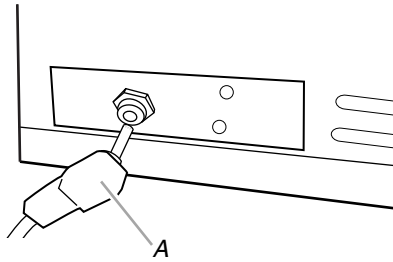
- Test all connections by brushing on an approved noncorrosive leak-detection solution. Bubbles will show a leak. Correct any leak found.

#### Plug in Side Burner

**NOTE:** This built-in outdoor side burner comes with a large 2,085 mAmp power transformer/plug assembly for the side burner igniters. Follow the instructions for plugging in and mounting the power transformer. Keep any electrical supply cord away from any heated surfaces.

†®TEFLON is a registered trademark of E.I. Du Pont De Nemours and Company.

1. Plug the single-prong plug into the receptacle on the left underside of the side burner.



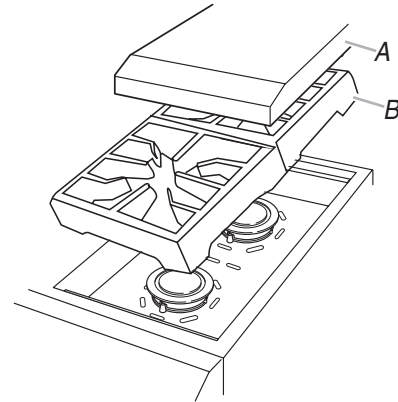
A. Single-prong plug

2. Locate or build a noncombustible surface inside the island cabinet to mount the power transformer. It must be to the left side of the side burner at a minimum of 3" (7.6 cm) from the side and 4" (10.2 cm) below the bottom of the side burner.
3. Mount the power transformer to the mounting surface using 4 #8 screws (not supplied) that are the proper type and length for the transformer and the mounting surface. It must be mounted with the wire for the single-prong plug upward or toward the side burner.  
**NOTE:** The cord must be properly mounted with a cord retention device so that its 3-prong plug will not touch the ground when it is unplugged.
4. Gently slide the side burner completely into the outdoor enclosure.

- Unplug from the outlet when not in use and before cleaning. Allow to cool before putting on or taking off parts.
- Do not operate any outdoor cooking gas appliance with a damaged cord, damaged plug, or after the appliance malfunctions or has been damaged in any manner. Contact the manufacturer for repair.
- Do not let the cord hang over the edge of a table or touch hot surfaces.
- Do not use an outdoor cooking appliance for purposes other than intended.
- When connecting, first connect plug to the outdoor cooking gas appliance then plug appliance into the outlet.
- Use only a Ground Fault Interrupter (GFI) protected circuit with this outdoor cooking gas appliance.
- Do not remove the ground prong or use with an adapter of 2 prongs.

### Assemble Cooking Area

1. Lift off cover and grate and set aside.



A. Cover  
B. Grate

2. Remove packing from around burners.
3. Reinstall grate.
4. Dispose of/recycle all packaging materials.
5. Gently slide side burner completely into outdoor enclosure.
6. Go to the "Check and Adjust the Burners" section.

## ⚠ WARNING



### Electrical Shock Hazard

**Plug into a grounded 3 prong outlet.**

**Do not remove ground prong.**

**Do not use an adapter.**

**Do not use an extension cord.**

**Failure to follow these instructions can result in death, fire, or electrical shock.**

5. Plug 3-prong power cord plug into a grounded 3-prong GFI outlet.
  - To avoid electrical shock, do not immerse cord or plugs in water or other liquid.



# GAS CONVERSIONS

## For Models Equipped for Use with a 20 lb LP gas Tank

**NOTE:** Models that are equipped for Natural gas require Gas Conversion Kit Part Number W10118099 for conversion to LP gas. Use the conversion instructions included in the kit. See "Assistance or Service" section for information on ordering.

### Tools and Parts for Gas Conversion

Gather the required tools and parts before starting installation. Read and follow the instructions provided with any tools listed here.

#### Tools needed

- Phillips screwdriver
- Pipe wrench
- Adjustable wrench
- 10 mm socket and wrench or 10 mm nut driver
- Thin flat-blade screwdriver
- Pliers
- Pipe thread sealant certified for LP gas

#### Parts supplied

- Brass connector
- Convertible regulator 4" W.C. Natural, 11" W.C. LP
- Natural gas orifices

**IMPORTANT:** Gas conversions must be done by a qualified installer. Before proceeding with conversion, shut off the gas supply to the appliance prior to disconnecting the electrical power.

This kit is designed for use from sea level up to 2000 ft (609.6 m) elevation. For higher elevations contact KitchenAid at **1-800-422-1230** in the U.S.A. or call **1-800-607-6777** in Canada.

## ⚠ WARNING



### Explosion Hazard

Use a new CSA International approved "outdoor" gas supply line.

Securely tighten all gas connections.

If connected to LP, have a qualified person make sure gas pressure does not exceed 11" (28 cm) water column.

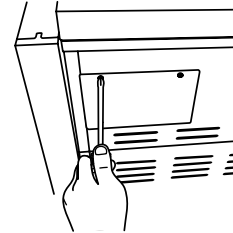
Examples of a qualified person include:  
licensed heating personnel,  
authorized gas company personnel, and  
authorized service personnel.

Failure to do so can result in death, explosion, or fire.

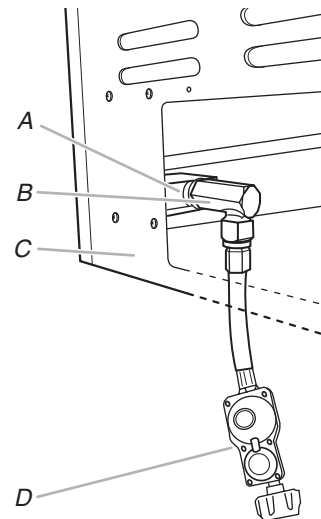
## Conversion to a Local LP Gas Supply

### Installation of the regulator

1. Turn off the main gas supply valve.
2. Unplug side burner or disconnect power.
3. Disconnect 20 lb LP gas fuel tank (if present).
4. Turn off all burner control valves.
5. Remove rear cover and 2 screws.



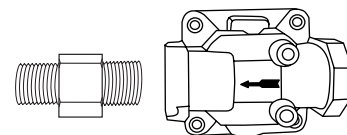
6. Use adjustable wrench to remove LP hose regulator from brass elbow. Use adjustable wrench to remove brass elbow.



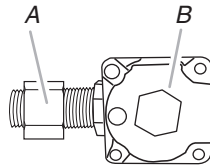
- A. Manifold
- B. Brass elbow
- C. Rear of side burner
- D. Gas pressure regulator/hose assembly

7. Apply pipe sealant to the threads of the brass connector. Use pipe thread sealant that is certified for use with LP gas.
8. Use adjustable wrench to install brass connector (supplied) to manifold fitting.

**NOTE:** The arrow on the regulator must be pointing toward the brass connector.

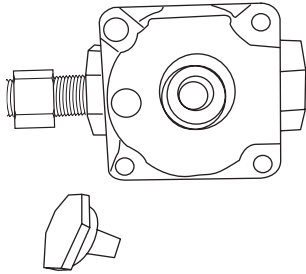


- Use pipe wrench to install the convertible regulator. Brass cap will be facing up when tight.

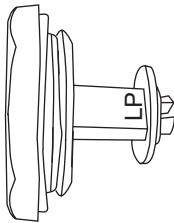


A. Brass connector  
B. Convertible regulator

- To set the appliance regulator for LP gas, use adjustable wrench to remove the brass cap on the convertible regulator.



- Examine the stem on the brass cap. The letters "NAT" should be showing on the end of the plastic stem farthest away from the brass cap.
- Remove stem from cap, turn it over and snap stem back into the cap so the letters "LP" are at the end of the stem farthest away from the brass cap.



- Use adjustable wrench to reinstall cap onto regulator.

## Make Side Burner Connections

### Connect Local LP Gas Supply

- Use pipe wrench to connect certified 1/2" (1.3 cm) gas supply pipe to inlet side of regulator from Fixed LP gas supply according to local codes requirements. Use pipe thread sealant that is certified for use with LP gas at connections where required. There must be a certified manual shutoff valve in the gas supply line near the side burner for easy access.
- Turn on the gas supply to the side burner.
- Test all connections by brushing on an approved noncorrosive leak-detection solution. Bubbles will show a leak. Correct any leaks found.

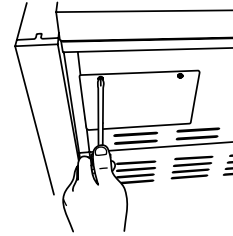
### Record Conversion

In the last page of the Use and Care Guide, write "Converted to Local LP Gas Supply." Also record the conversion date and the technician/company that performed the conversion.

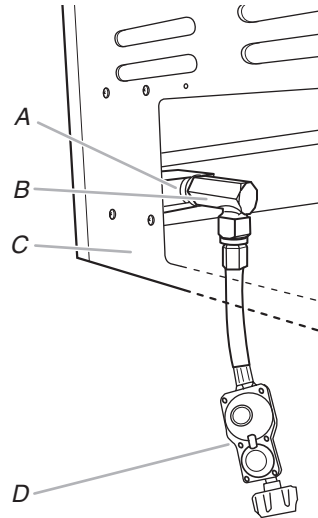
## Conversion from LP Gas to Natural Gas

### Installation of the regulator

- Turn off the main gas supply valve.
- Unplug side burner or disconnect power.
- Disconnect 20 lb LP gas fuel tank (if present).
- Turn off all burner control valves.
- Remove rear cover and 2 screws.



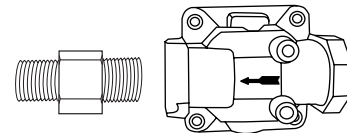
- Use adjustable wrench to remove LP hose regulator from brass elbow. Use adjustable wrench to remove brass elbow.



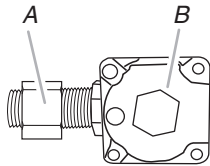
A. Manifold  
B. Brass elbow  
C. Rear of side burner  
D. Gas pressure regulator/hose assembly

- Apply pipe sealant to the threads of the brass connector. Use pipe thread sealant that is certified for use with LP gas.
- Use adjustable wrench to install brass connector (supplied) to manifold fitting.

**NOTE:** The arrow on the regulator must be pointing toward the brass connector.

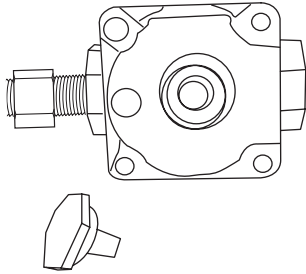


- Use pipe wrench to install the convertible regulator. Brass cap will be facing up when tight.

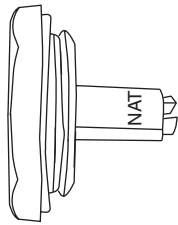


A. Brass elbow  
B. Convertible regulator

- To make sure the regulator is set for Natural gas, use adjustable wrench to remove brass cap on appliance regulator.



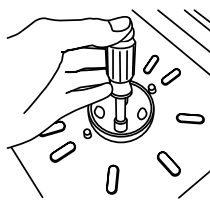
- Examine the stem on the brass cap. If the letters "NAT" are not showing on the end of the plastic stem farthest from the brass cap, remove stem from cap, turn it over and snap stem back into the cap so the letters "NAT" are at the end of the stem farthest from the brass cap.



- Reinstall cap onto convertible regulator.

### Change the Side burner orifices

- Remove the side burner grates.
- Remove the burner caps. The caps are interlocked to the burner base. Twist and lift the burner caps to remove.
- Use 10 mm socket and wrench or 10 mm nut driver to remove the brass orifices from inside the burner base.

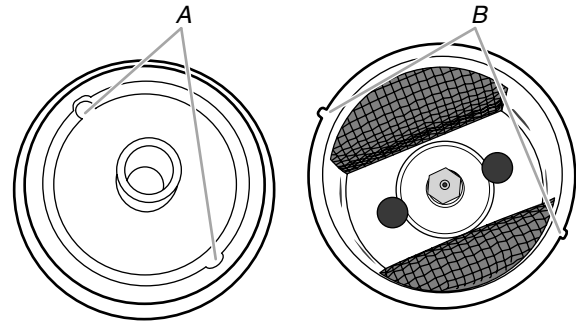


- Use 10 mm socket and wrench or 10 mm nut driver to install the new 2.1 mm orifices supplied with this kit.

**NOTE:** The number 2.1 is stamped on the orifice for identification.

- Repeat the procedure for the other burner.

- Replace the burner top and caps. Align the notches in the bottom of the burner top with the tabs on the burner base and twist until the burner top is seated on the burner base. You will feel it drop into the deep notch.



A. Burner top notches  
B. Burner base tabs

- Replace the side burner grates.

### Hook up to Natural gas and Leak Test

- Use pipe wrench to connect certified 1/2" (1.3 cm) gas supply pipe to inlet side of regulator from Natural gas supply according to local codes requirements. Use pipe thread sealant that is certified for use with LP gas at connections where required. There must be a certified manual shutoff valve in the gas supply line near the grill for easy access.
- Turn on the gas supply to the grill.
- Test all connections using an approved noncorrosive leak-detection solution. Bubbles will show a leak. Correct any leak found.

### Record Conversion

- The appliance nameplate is located inside the grill cabinet on the right-hand cabinet side. With a permanent marker, check the box next to "Natural gas" and mark through "LP - Propane."

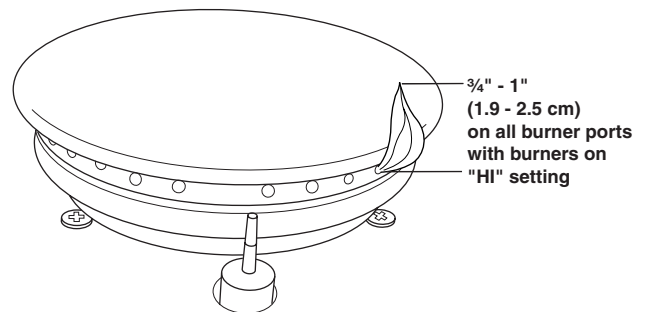
In the last page of the Use and Care Guide, write "Converted to Natural Gas." Also record the conversion date and the technician/company that performed the conversion.

**NOTE:** Place LP gas parts in plastic parts bag for future use and keep with pack containing literature.

## Check and Adjust the Burners

The burners are tested and factory-set for most efficient operation. However, variations in gas supply and other conditions may make minor adjustments to low flame setting necessary.

It is recommended that a qualified person make burner adjustments.

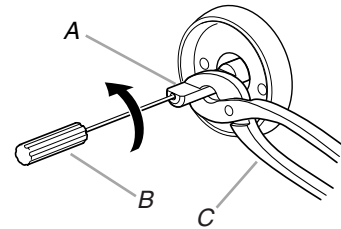


## Low Flame Adjustment

If flame goes out on the “LO” setting, the low flame setting must be adjusted.

1. Turn off the valve and wait until burners are cool.
2. Light side burner using information in the “Outdoor Side Burner Use” section.
3. Turn burner to its lowest setting and remove knob.
4. Hold valve stem with pliers and insert a small flat-blade screwdriver into the shaft.
5. Watch the flame and slowly turn the screwdriver counterclockwise.

6. Adjust flame to minimum stable flame.



A. Valve stem  
B. Small flat-blade screwdriver  
C. Pliers

7. Replace the control knob and turn off the burner.
8. Repeat steps 3 through 7 for each burner if needed.

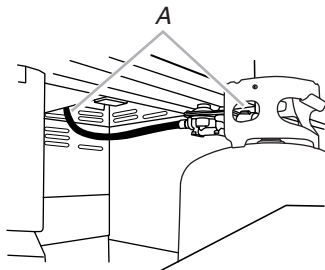
# USING YOUR OUTDOOR SIDE BURNER

## Inspect the LP Gas Fuel Tank Supply Hose

Inspect the gas pressure regulator/hose assembly before each use.

1. Open the cabinet door and slide 20 lb LP gas fuel tank out.
2. Inspect the entire gas pressure regulator/hose assembly for cuts, abrasions, or excessive wear.
3. If necessary, replace the gas pressure regulator/hose assembly before using the side burner.

Contact the dealer and use only replacement hoses specified for use with the side burner.



A. Gas pressure regulator/hose assembly

## Prepare the Gas Supply

1. Remove outdoor side burner cover.
2. Make sure the control knobs are all turned to the OFF position.

## Turn the Gas Supply On

1. For outdoor side burners using a 20 lb LP gas fuel tank: Slowly open the tank valve.  
**NOTE:** If flow limiting device activates, your side burner may not light. If your side burner does light, the flames will be low and will not heat properly. Turn 20 lb LP gas fuel tank valve and all control knobs off and wait 30 seconds. After shutting off the 20 lb LP gas fuel tank, very slowly open tank valve and wait 5 seconds before lighting.
2. For outdoor side burners using gas supply source other than 20 lb LP gas fuel tank:  
Open the manual shutoff valve in the gas supply line. The valve is open when the handle is parallel to the gas pipe.

## Lighting Your Side Burner

### ⚠ WARNING



#### Burn Hazard

Do not let the burner flame extend beyond the edge of the pan.

Doing so can result in burns.

### ⚠ WARNING

#### Food Poisoning Hazard

Do not let food sit for more than one hour before or after cooking.

Doing so can result in food poisoning or sickness.

1. Remove the side burner cover. Do not light burners with the cover on.
2. Do not lean over the side burner.
3. Push in and turn the control knob to LITE/Hi and hold in.



4. You will see the igniter glow. When burner is lit, release the knob. Turn knob to desired setting.
5. Repeat for the other burner as needed.

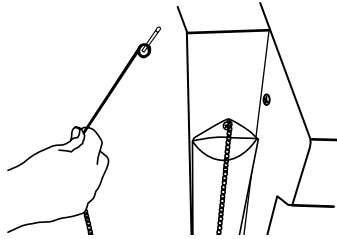
**IMPORTANT:** If burner does not light immediately, turn the burner knob to OFF and wait 5 minutes before relighting.

---

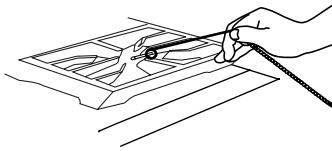
## Manually lighting the side burner

---

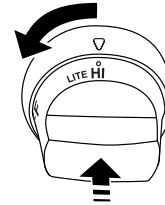
1. Remove the outdoor side burner cover.
2. Remove the manual lighting extension (see following illustration) and attach a match to the split ring.



3. Strike the match to light it.
4. Guide the match to the burner you wish to light.



5. Do not lean over the side burner. Push in and turn the burner knob to LITE/HI for the burner closest to the lit match. The burner will light immediately. When burner is lit, turn knob to desired setting.



6. Repeat for each of the other burners as needed.
7. Remove match and replace manual lighting extension inside its holder.

### IMPORTANT:

If burner does not light immediately, turn the burner knob to OFF and wait 5 minutes before relighting.

If any burners do not light after attempting to manually light them, contact the KitchenAid Customer eXperience Center. See the "Assistance or Service" section.

---

# OUTDOOR SIDE BURNER CARE

---

## General Cleaning

**IMPORTANT:** Before cleaning, make sure all controls are off and the side burner is cool. Always follow label instructions on cleaning products.

For routine cleaning, wash with soap and water using a soft cloth or sponge. Rinse with clean water and dry at once with a soft, lint-free cloth to avoid spots and streaks.

Do not use steel wool to clean the side burner, as it will scratch the surface.

To avoid weather damage to finish, use stainless steel side burner cover.

---

### STAINLESS STEEL

---

**IMPORTANT:** To avoid damage to stainless steel surfaces, do not use soap-filled scouring pads, abrasive cleaners, Cooktop Polishing Creme, steel wool, gritty wash cloths or paper towels.

To avoid damage to the finish, cleaners should not contain chlorine.

Food spills should be cleaned as soon as entire side burner is cool. Spills may cause permanent discoloration.

#### Cleaning Method:

- Rub in direction of grain to avoid scratching or damaging the surface.
- KitchenAid® Stainless Steel Cleaner and Polish Part Number 4396920 (not included) or KitchenAid® Stainless Steel Wipes Part Number 8212510 (not included): See "Assistance or Service" section to order.
- Liquid detergent or all-purpose cleaner:
- Rinse with clean water and dry with soft, lint-free cloth.
- Vinegar to remove hard water spots.
- Glass cleaner to remove fingerprints.

---

### EXTERIOR

---

The quality of this material resists most stains and pitting, providing that the surface is kept clean, polished and covered.

- Apply stainless steel polish to all non-cooking areas before first use. Reapply after each cleaning to avoid permanent damage to surface.
- Cleaning should always be followed by rinsing with clean warm water.
- Wipe the surface completely dry with a soft cloth.
- For tough spots or baked-on grease, use Kitchen and BBQ Grill Degreaser Part Number 31617, a commercial degreaser designed for stainless steel. See "Assistance or Service" section to order.

---

### INTERIOR

---

Discoloration of stainless steel on these parts is to be expected, due to intense heat from the burners. Always rub in the direction of the grain. Cleaning should always be followed by rinsing with clean, warm water.

#### Cleaning Method:

- Liquid detergent or all-purpose cleaner.
- Rinse with clean water and dry completely with a soft, lint-free cloth.
- A heavy-duty scrub sponge can be used with mild cleaning products.
- For small, difficult-to-clean areas, use Kitchen and BBQ Grill Degreaser Part Number 31617, a commercial degreaser designed for stainless steel. See "Assistance or Service" section to order.

---

## SIDE BURNER CAPS AND GRATE

---

### Cleaning Method:

- Clean with a brass bristle brush.
- Wash grate using mild detergent, warm water and degreaser.
- Rinse with clean water and dry with soft, lint-free cloth.
- KitchenAid® Stainless Steel Cleaner and Polish Part Number 4396920 (not included) or KitchenAid® Stainless Steel Wipes Part Number 8212510 (not included); See “Assistance or Service” section to order.

---

## KNOBS AND FLANGE AREA AROUND KNOBS

---

**IMPORTANT:** To avoid damage to knobs or to flange area around knobs, do not use steel wool, abrasive cleaners, or oven cleaner. Do not soak knobs.

### Cleaning Method:

- Mild detergent, a soft cloth and warm water.
- Rinse and dry.

---

## CONTROL PANEL GRAPHICS

---

**IMPORTANT:** To avoid damage to control panel graphics, do not use steel wool, abrasive cleaners or oven cleaner.

Do not spray cleaner directly onto panel.

### Cleaning Method:

- Clean around the burner labels gently; scrubbing may remove printing.
- Mild detergent, soft cloth and warm water.
- Rinse and dry.

---

# TROUBLESHOOTING

Try the solutions suggested here first in order to avoid the cost of an unnecessary service call.

---

## Nothing will operate

---

- **Is the main or regulator gas shutoff valve in the off position?**  
See the Installation Instructions.
- **Is the gas supply properly connected?**  
Contact a trained repair specialist or see Installation Instructions.

---

## ⚠ WARNING



### Electrical Shock Hazard

**Plug into a grounded 3 prong outlet.**

**Do not remove ground prong.**

**Do not use an adapter.**

**Do not use an extension cord.**

**Failure to follow these instructions can result in death, fire, or electrical shock.**

- **Is the 2,085 mAmp power supply cord unplugged?**  
Plug into a grounded 3 prong outlet.
- **Has a household fuse blown, or has a circuit breaker tripped?**  
Replace the fuse or reset the circuit breaker. If the problem continues, call an electrician.

---

# ASSISTANCE OR SERVICE

Before calling for assistance or service, please check “Troubleshooting.” It may save you the cost of a service call. If you still need help, follow the instructions below.

When calling, please know the purchase date and the complete model and serial number of your appliance. This information will help us to better respond to your request.

### If you need replacement parts

If you need to order replacement parts, we recommend that you use only factory specified parts. These factory specified parts will fit right and work right because they are made with the same precision used to build every new KITCHENAID® appliance.

To locate factory specified parts in your area, call us or your nearest KitchenAid designated service center.

---

## In the U.S.A.

Call the KitchenAid Customer eXperience Center toll free:  
**1-800-422-1230.**

**Our consultants provide assistance with:**

- Features and specifications on our full line of appliances.
- Installation information.
- Use and maintenance procedures.
- Accessory and repair parts sales.
- Specialized customer assistance (Spanish speaking, hearing impaired, limited vision, etc.).
- Referrals to local dealers, repair parts distributors and service companies. KitchenAid designated service technicians are trained to fulfill the product warranty and provide after-warranty service, anywhere in the United States.

To locate the KitchenAid designated service company in your area, you can also look in your telephone directory Yellow Pages.

**For further assistance**

If you need further assistance, you can write to KitchenAid with any questions or concerns at:

KitchenAid Brand Home Appliances  
Customer eXperience Center  
553 Benson Road  
Benton Harbor, MI 49022-2692

Please include a daytime phone number in your correspondence.

---

## Accessories

**Kitchen and BBQ Grill Degreaser**

Order Part Number 31552A

**Stainless Steel Cleaner and Polish**

Order Part Number 31462A

**Stainless Steel Wipes**

Order Part Number 8212510A

**LP Gas to Natural Gas Conversion Kit**

Order Part Number W10118098

**Natural Gas to LP Gas Conversion Kit**

Order Part Number W10118099

---

## In Canada

Call the KitchenAid Canada Customer eXperience Centre toll free: **1-800-807-6777.**

**Our consultants provide assistance with:**

- Features and specifications on our full line of appliances.
- Use and maintenance procedures.
- Accessory and repair parts sales.
- Referrals to local dealers, repair parts distributors and service companies. KitchenAid Canada designated service technicians are trained to fulfill the product warranty and provide after-warranty service, anywhere in Canada.

**For further assistance**

If you need further assistance, you can write to KitchenAid Canada with any questions or concerns at:

Customer eXperience Centre  
KitchenAid Canada  
200 - 6750 Century Ave.  
Mississauga, Ontario L5N 0B7

Please include a daytime phone number in your correspondence.

---

# KITCHENAID® OUTDOOR PRODUCT WARRANTY

---

## LIMITED WARRANTY

For one year from the date of purchase, when this outdoor product is operated and maintained according to instructions attached to or furnished with the product, KitchenAid brand of Whirlpool Corporation or Whirlpool Canada LP (hereafter "KitchenAid") will pay for Factory Specified Parts and repair labor to correct defects in materials or workmanship. Service must be provided by a KitchenAid designated service company. This limited warranty is valid only in the United States or Canada and applies only when the outdoor product is used in the country in which it was purchased. Outside the 50 United States and Canada, this limited warranty does not apply. Proof of original purchase date is required to obtain service under this limited warranty.

---

## SECOND THROUGH FIFTH YEAR LIMITED WARRANTY ON PARTS ON GRILLS ONLY

In the second through fifth years from the date of purchase when this grill is operated and maintained according to instructions attached to or furnished with the product, KitchenAid will pay for Factory Specified Parts to correct defects in materials or workmanship.

---

## LIFETIME LIMITED WARRANTY ON STAINLESS STEEL COMPONENTS ON GRILLS ONLY

For the life of the product, when this grill is operated and maintained according to instructions attached to or furnished with the product, KitchenAid will pay for replacement of the stainless steel body housing due to defective materials or workmanship. For the life of the product, when this grill is operated and maintained according to instructions attached to or furnished with the product, KitchenAid will pay for replacement parts for the stainless steel grill burners.

---

## ITEMS EXCLUDED FROM WARRANTY

### This limited warranty does not cover:

1. Service calls to correct the installation of your outdoor product, to instruct you on how to use your outdoor product, to replace or repair house fuses, or to correct house wiring or plumbing.
2. Cosmetic damage, including scratches, dents, chips or other damage to the finish of your outdoor product, unless such damage results from defects in materials or workmanship and is reported to KitchenAid within 30 days from the date of purchase.
3. Repairs when your outdoor product is used for other than normal, single-family household use or when it is used in a manner that is contrary to published user or operator instructions and/or installation instructions.
4. Damage resulting from accident, alteration, misuse, abuse, fire, flood, acts of God, improper installation, installation not in accordance with electrical or plumbing codes, or use of consumables or cleaning products not approved by KitchenAid.
5. Conversion kit or service call for the conversion of your outdoor product from natural gas to L.P./propane or from L.P./propane to natural gas.
6. Costs associated with the removal from your home of your outdoor product for repairs. This outdoor product is designed to be repaired in the home and only in-home service is covered by this warranty.
7. Repairs to parts or systems resulting from unauthorized modifications made to the outdoor product.
8. Expenses for travel and transportation for product service if your outdoor product is located in a remote area where service by an authorized KitchenAid servicer is not available.
9. The removal and reinstallation of your outdoor product if it is installed in an inaccessible location or is not installed in accordance with published installation instructions.
10. Damage resulting from normal wear and tear of your outdoor product.
11. Outdoor products with original model/serial numbers that have been removed, altered or cannot be easily determined. This warranty is void if the factory applied serial number has been altered or removed from your outdoor product.

The cost of repair or replacement under these excluded circumstances shall be borne by the customer.

---

### DISCLAIMER OF IMPLIED WARRANTIES; LIMITATION OF REMEDIES

CUSTOMER'S SOLE AND EXCLUSIVE REMEDY UNDER THIS LIMITED WARRANTY SHALL BE PRODUCT REPAIR AS PROVIDED HEREIN. IMPLIED WARRANTIES, INCLUDING WARRANTIES OF MERCHANTABILITY OR FITNESS FOR A PARTICULAR PURPOSE, ARE LIMITED TO ONE YEAR OR THE SHORTEST PERIOD ALLOWED BY LAW. KITCHENAID SHALL NOT BE LIABLE FOR INCIDENTAL OR CONSEQUENTIAL DAMAGES. SOME STATES AND PROVINCES DO NOT ALLOW THE EXCLUSION OR LIMITATION OF INCIDENTAL OR CONSEQUENTIAL DAMAGES, OR LIMITATIONS ON THE DURATION OF IMPLIED WARRANTIES OF MERCHANTABILITY OR FITNESS, SO THESE EXCLUSIONS OR LIMITATIONS MAY NOT APPLY TO YOU. THIS WARRANTY GIVES YOU SPECIFIC LEGAL RIGHTS, AND YOU MAY ALSO HAVE OTHER RIGHTS WHICH VARY FROM STATE TO STATE OR PROVINCE TO PROVINCE.

---

If outside the 50 United States and Canada, contact your authorized KitchenAid dealer to determine if another warranty applies.

If you need service, first see the "Troubleshooting" section of the Use & Care Guide. After checking "Troubleshooting," you may find additional help by checking the "Assistance or Service" section or by calling KitchenAid. In the U.S.A., call **1-800-422-1230**. In Canada, call **1-800-807-6777**.

9/07

---

### Keep this book and your sales slip together for future reference. You must provide proof of purchase or installation date for in-warranty service.

Write down the following information about your major appliance to better help you obtain assistance or service if you ever need it. You will need to know your complete model number and serial number. You can find this information on the model and serial number label located on the product.

Dealer name \_\_\_\_\_  
Address \_\_\_\_\_  
Phone number \_\_\_\_\_  
Model number \_\_\_\_\_  
Serial number \_\_\_\_\_  
Purchase date \_\_\_\_\_



# SÉCURITÉ DU BRÛLEUR LATÉRAL ENCASTRÉ D'EXTÉRIEUR

## Votre sécurité et celle des autres est très importante.

Nous donnons de nombreux messages de sécurité importants dans ce manuel et sur votre appareil ménager. Assurez-vous de toujours lire tous les messages de sécurité et de vous y conformer.



Voici le symbole d'alerte de sécurité.

Ce symbole d'alerte de sécurité vous signale les dangers potentiels de décès et de blessures graves à vous et à d'autres.

Tous les messages de sécurité suivront le symbole d'alerte de sécurité et le mot "DANGER" ou "AVERTISSEMENT". Ces mots signifient :

**⚠ DANGER**

**Risque possible de décès ou de blessure grave si vous ne suivez pas immédiatement les instructions.**

**⚠ AVERTISSEMENT**

**Risque possible de décès ou de blessure grave si vous ne suivez pas les instructions.**

Tous les messages de sécurité vous diront quel est le danger potentiel et vous disent comment réduire le risque de blessure et ce qui peut se produire en cas de non-respect des instructions.

### **⚠ DANGER**

**En cas de détection d'une odeur de gaz :**

- 1. Fermer l'arrivée de gaz de l'appareil.**
- 2. Éteindre toute flamme nue.**
- 3. Ouvrir le couvercle.**
- 4. Si l'odeur persiste, s'éloigner de l'appareil et appeler immédiatement le fournisseur en gaz ou les pompiers.**

### **⚠ AVERTISSEMENT**

- 1. Ne pas remiser ou utiliser de l'essence ou tout autre liquide ou vapeur inflammable à proximité de cet appareil ou de tout autre appareil.**
- 2. Ne pas remiser une bouteille de gaz de pétrole liquéfié non raccordée à proximité de cet appareil ou de tout autre appareil.**

Avertissements de la proposition 65 de l'État de Californie :

**AVERTISSEMENT :** Ce produit contient au moins un produit chimique connu par l'État de Californie pour être à l'origine de cancers.

**AVERTISSEMENT :** Ce produit contient au moins un produit chimique connu par l'État de Californie pour être à l'origine de malformations et autres déficiences de naissance.

Dans l'État du Massachusetts, les instructions d'installation suivantes sont applicables :

- Les travaux d'installation et réparation doivent être exécutés par un plombier ou tuyauteur qualifié ou licencié, ou par le personnel qualifié d'une entreprise licenciée par l'État du Massachusetts.
- Si une vanne à boisseau sphérique est utilisée, elle doit comporter une manette "T".
- Si un conduit de raccordement flexible est utilisé, sa longueur ne doit pas dépasser 3 pi.

**IMPORTANT : Ce brûleur latéral est conçu pour un usage à l'extérieur uniquement.** Pour les brûleurs latéraux destinés à être utilisés à des altitudes supérieures à 2000 pi (609,6 m), il est nécessaire de convertir le gicleur. Voir la section "Spécifications de l'alimentation en gaz". C'est à l'installateur qu'incombe la responsabilité de respecter les dégagements de séparation minimums, spécifiés sur la plaque signalétique de l'appareil. La plaque signalétique se trouve sur le côté droit du brûleur latéral.

On peut obtenir des exemplaires des normes mentionnées aux adresses suivantes :

National Fire Protection Association  
One Batterymarch Park  
Quincy, Massachusetts 02269

CSA International  
8501 East Pleasant Valley Rd.  
Cleveland, Ohio 44131-5575

## IMPORTANTES INSTRUCTIONS DE SÉCURITÉ

**AVERTISSEMENT :** Pour réduire le risque d'incendie, de choc électrique, de blessures corporelles ou de dommages lors de l'utilisation de l'appareil de cuisson à gaz d'extérieur, il convient d'observer certaines précautions fondamentales, notamment :

- Ne pas installer les appareils de cuisson à gaz d'extérieur (portatifs ou encastrés) dans ou sur un véhicule récréatif, une remorque portative, un bateau ou toute autre installation mobile.
- Toujours respecter les distances de séparation minimales entre l'appareil et les constructions combustibles; voir la section "Exigences d'emplacement".
- L'appareil de cuisson à gaz d'extérieur ne doit pas être situé sous une construction combustible non protégée.
- Cet appareil de cuisson à gaz d'extérieur doit être utilisé à l'extérieur uniquement; ne pas l'utiliser dans un bâtiment, un garage ou tout autre endroit clos.
- Conserver le cordon d'alimentation électrique et le tuyau d'alimentation en combustible à l'écart des surfaces chauffées.
- Maintenir la zone de l'appareil de cuisson à gaz d'extérieur à l'abri des matériaux combustibles, essence ou autres vapeurs ou liquides inflammables.
- Ne pas obstruer le flux de combustion et la ventilation. Conserver les ouvertures de ventilation de l'enceinte de la bouteille de gaz libre et dépourvues de débris.
- Inspecter le tuyau d'alimentation de la bouteille de gaz avant chaque utilisation de l'appareil de cuisson à gaz d'extérieur. Si le tuyau présente d'importants signes d'abrasion ou d'usure ou s'il est coupé, il DOIT être remplacé avant toute nouvelle utilisation de l'appareil de cuisson à gaz d'extérieur. Contacter votre marchand et utiliser uniquement les tuyaux de rechange spécifiés pour utilisation avec l'appareil de cuisson à gaz d'extérieur.
- Inspecter visuellement les flammes du brûleur. Elles doivent être bleues. Avec du gaz de pétrole liquéfié, il est normal d'observer une légère pointe jaune.
- Nettoyer le tube du brûleur/de la buse et vérifier l'absence d'insectes ou de nids d'insectes. Un tube obstrué peut entraîner un feu sous l'appareil de cuisson à gaz d'extérieur.

- La bouteille d'alimentation au gaz de pétrole liquéfié utilisée doit être :
    - construite et marquée conformément aux spécifications pour les bouteilles de gaz de pétrole liquéfié du U.S. Department of Transportation (DOT) ou de la Norme nationale du Canada, CAN/CSA-B339, Bouteilles, tubes et autres récipients pour le transport des marchandises dangereuses; et de la Commission.
    - fournie avec un dispositif de prévention de remplissage excessif.
    - fournie avec un dispositif de connexion de la bouteille de gaz compatible avec la connexion pour les appareils de cuisson à gaz d'extérieur.
  - Toujours vérifier les connexions pour identifier des fuites à chaque branchement et débranchement de la bouteille d'alimentation en gaz de pétrole liquéfié. Voir la section "Instructions d'installation".
  - Lorsque l'appareil de cuisson à gaz d'extérieur n'est pas utilisé, l'arrivée de gaz doit être fermée au niveau de la bouteille de gaz.
  - Le remisage d'un appareil de cuisson à gaz d'extérieur est autorisé seulement en cas de débranchement et de retrait de la bouteille de gaz de l'appareil.
  - Les bouteilles de gaz doivent être remisées à l'extérieur et hors de portée des enfants; elles ne doivent pas être remisées dans un bâtiment, un garage ou tout endroit clos.
  - Il est nécessaire d'utiliser le détendeur et le tuyau fournis avec l'appareil de cuisson à gaz d'extérieur. Un détendeur et un tuyau de rechange spécifiques à votre modèle sont disponibles auprès de votre marchand d'appareils de cuisson à gaz d'extérieur.
  - La bouteille de gaz doit comporter un manchon destiné à protéger le robinet de la bouteille.
  - Pour les appareils conçus pour utiliser une connexion CGA791: Placer un capuchon protecteur sur le robinet de la bouteille de gaz lorsqu'elle n'est pas utilisée. Installer uniquement le type de capuchon protecteur sur le conduit d'évacuation fourni avec la bouteille de gaz. D'autres types de capuchons ou obturateurs pourraient provoquer des fuites de propane.
- Le non-respect des instructions suivantes peut entraîner un incendie causant la mort ou des blessures graves.
- Ne pas remiser une bouteille de gaz de pétrole liquéfié de secours sous l'appareil de cuisson à gaz d'extérieur ou à proximité de celui-ci.
  - Ne jamais remplir la bouteille au-delà de 80 % de sa capacité de remplissage.

## CONSERVEZ CES INSTRUCTIONS

# EXIGENCES D'INSTALLATION

## Outillage et pièces

Rassembler les outils et pièces nécessaires avant de commencer l'installation. Lire et suivre les instructions fournies avec les outils indiqués ici.

### Modèles à gaz propane - bouteille de 20 lb (KBZU122VSS00)

#### Outillage nécessaire

- Mètre ruban
- Petit tournevis à lame plate
- Tournevis à lame plate
- Tournevis Phillips n° 2 et n° 3
- Niveau
- Clé ou pince
- Clé à tuyauterie
- Ciseaux ou pince coupante (pour couper les attaches)
- Solution non corrosive de détection des fuites

#### Pièces fournies

- Ensemble détendeur/tuyau de raccordement, pour gaz de pétrole liquéfié sous pression de 11" (colonne d'eau) (raccordement à la tubulure de distribution).
- 1 ensemble transformateur/2 085 mA prise à une broche
- Détendeur convertible pour gaz naturel sous pression de 4" (colonne d'eau)
- Ensemble de conversion au gaz naturel
- Chariot pour bouteille de propane

#### Pièces nécessaires

- Bouteille de gaz propane de 20 lb – environ 18" (45,7 cm) de hauteur et 12" (30,5 cm) de diamètre
- Pièces de montage pour fixer les brides de montage du chariot de la bouteille sur la base ou le plancher du meuble en îlot
- Pièces de montage pour fixer le transformateur d'alimentation sur une surface non combustible à l'intérieur du placard en îlot.
- Prise d'extérieur à 3 alvéoles à disjoncteur différentiel
- Une bride ou une étagère assez grande pour permettre le rangement d'une deuxième bouteille de gaz propane de 20 lb.

### Modèles à gaz naturel (KBZU122TSS00, KBZU242TSS00 et KBZU122VSS01)

#### Outillage nécessaire

- Mètre ruban
- Petit tournevis à lame plate
- Tournevis à lame plate
- Tournevis Phillips n° 2 et n° 3
- Niveau
- Clé ou pince
- Clé à tuyauterie
- Ciseaux ou pince coupante (pour couper les attaches)
- Solution non corrosive de détection des fuites

#### Pièces nécessaires

- Robinet d'arrêt de gaz
- Raccord droit mâle fileté, 1/2", pour raccordement au détendeur
- Composé d'étanchéité des tuyauteries résistant à l'action du gaz propane
- Conduit de raccordement flexible d'extérieur (longueur de 4 à 5 pi [1,2 à 1,5 m], acier inoxydable, homologation CSA), ou canalisation de gaz rigide, selon le cas.

#### Pièces fournies

- Détendeur convertible pour gaz naturel sous pression de 4" (colonne d'eau)
- Ensemble transformateur de 2 085 mA/prise à une broche

## Exigences d'emplacement

Sélectionner un emplacement où l'exposition au vent est faible et les passages peu nombreux. L'emplacement ne doit pas se trouver dans une zone à forts courants d'air.

Ne pas obstruer le flux de combustion et la ventilation.

Distance de séparation entre les constructions combustibles et les brûleurs latéraux encastrés d'extérieur :

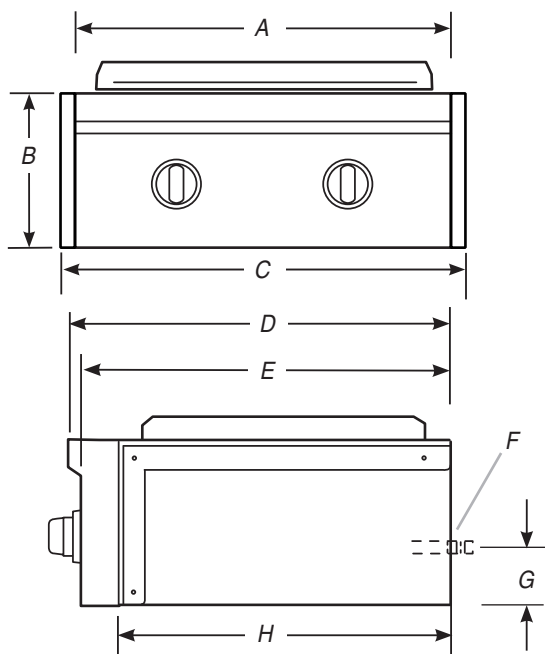
- Un minimum de 24" (58 cm) doit être maintenu entre, les côtés et l'arrière et toute construction combustible.
- Un dégagement de séparation de zéro doit être maintenu sous la surface de cuisson et toute construction combustible.

## Allumage

On doit disposer à proximité sur le côté gauche du brûleur latéral d'une prise de courant reliée à la terre, à 3 alvéoles. Voir la section "Spécifications électriques".

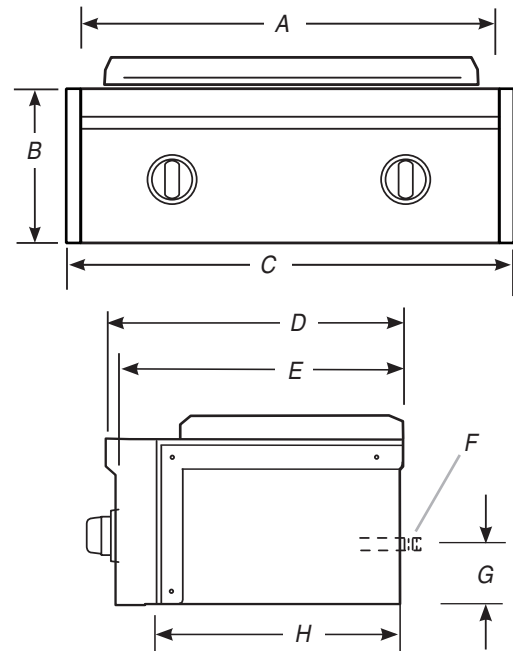
## Dimensions du produit

### Style 1 - Deux brûleurs latéraux encastrés, configuration avant/arrière



A. 13" (33 cm)	E. 25 $\frac{5}{8}$ " (64,5 cm)
B. 10 $\frac{5}{8}$ " (27 cm)	F. Tuyau de distribution
C. 17" (43,2 cm)	G. 4 $\frac{3}{8}$ " (11,1 cm)
D. 26 $\frac{3}{8}$ " (67 cm)	H. 22 $\frac{3}{4}$ " (57,8 cm)

### Style 2 - Deux brûleurs encastrés latéraux juxtaposés



A. 24" (61 cm)	E. 19 $\frac{1}{2}$ " (49,5 cm)
B. 10 $\frac{5}{8}$ " (27 cm)	F. Tuyau de distribution
C. 28" (71,1 cm)	G. 4 $\frac{3}{8}$ " (11,1 cm)
D. 20 $\frac{1}{2}$ " (52,1 cm)	H. 17" (43,2 cm)

### Enceinte du brûleur latéral encastré d'extérieur

Ce brûleur latéral d'extérieur encastré est conçu pour une installation dans une enceinte encastrée fabriquée à partir de matériaux combustibles et non combustibles. Parmi ces types de matériaux non combustibles, on compte la brique, le gypse ou l'acier. Parmi les types de matériaux combustibles, on compte le bois et les revêtements stratifiés.

L'enceinte du brûleur latéral encastré d'extérieur doit comporter les dimensions minimales suivantes : 11" (28 cm) de hauteur x 23" (58,4 cm) de profondeur x 14" (35,6 cm) de largeur pour le modèle à configuration avant/arrière et 11" (28 cm) de hauteur x 17" (43,2 cm) de profondeur x 25" (63,5 cm) de largeur pour le modèle juxtaposé.

## Dimensions du placard

Les surfaces centrales ou de support doivent être d'aplomb.

L'installation de ce brûleur latéral doit être conforme aux codes locaux ou, en l'absence de tels codes, au Code national d'alimentation en gaz, ANSI Z223.1/NPFA 54, au Code des installations au gaz naturel ou au propane, CSA B149.1 ou au Code d'entreposage et de manutention du propane, B149.2.

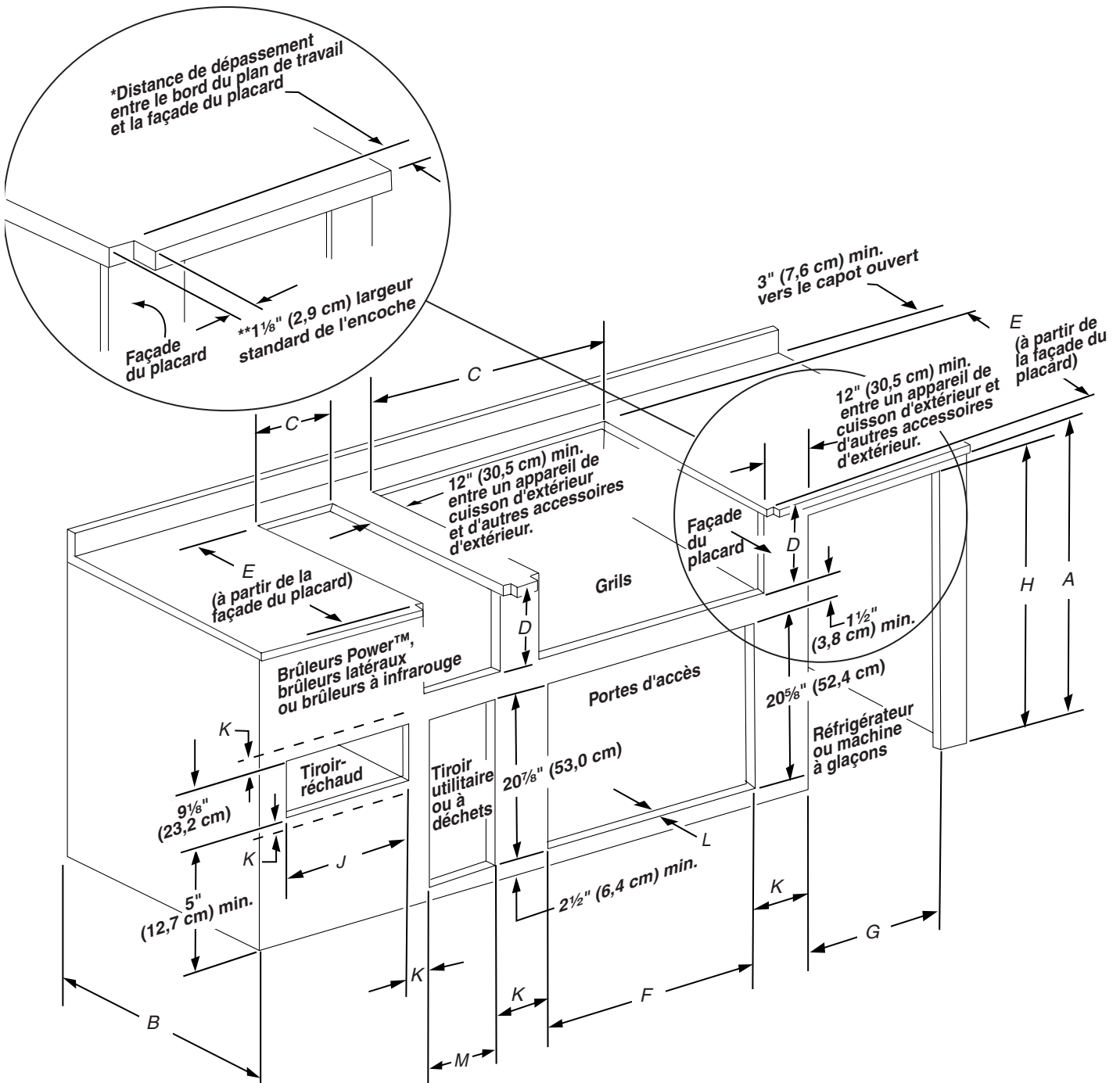
On peut obtenir des exemplaires des normes mentionnées à l'adresse suivante :

CSA International  
8501 East Pleasant Valley Rd.  
Cleveland, Ohio 44131-5575

**REMARQUE :** Le brûleur latéral d'extérieur se glisse dans l'ouverture et est soutenu par ses rebords latéraux. Ne pas utiliser de support pour la partie inférieure.

Le tableau de dimensions et l'illustration ci-dessous comprennent les dimensions de l'ouverture à découper et les valeurs minimales de dégagements de séparation pour tous les produits d'extérieur encastrés. L'illustration est à titre de référence. La conception de la disposition de votre placard peut être personnalisée, mais les dimensions pour les ouvertures à découper et les dégagements de séparation minimaux doivent être respectés.

**\*REMARQUE :** Faire déborder le plan de travail de  $\frac{3}{4}$ " (1,9 cm) par rapport à la surface de montage de la porte/du tiroir pour aider à évacuer l'eau présente sur le plan de travail sans qu'elle n'atteigne la porte ou le tiroir.



\*\*Chaque coin des découpes du plan de travail pour gril, brûleur latéral, brûleur à infrarouge, brûleur Power™ et comptoir pour rafraîchissements encastrés.

## Valeur de dégagement de séparation minimale entre les ouvertures à découper - Dimension K

### Entre au moins 2 portes d'accès adjacentes :

K = 14" (35,6 cm) lorsque 2 portes adjacentes sont ouvertes à 90 degrés

K = 8" (20,3 cm) lorsque l'une des portes adjacentes est ouverte à 90 degrés

### Entre un ensemble de portes d'accès et un tiroir à déchets, un tiroir utilitaire, un tiroir-réchaud, un réfrigérateur ou une machine à glaçons :

K = 8" (20,3 cm) lorsque l'une des portes adjacentes est ouverte à 90 degrés

### Entre un tiroir à déchets, un tiroir utilitaire ou un tiroir-réchaud :

K = 3" (7,6 cm)

## Dimensions de hauteur et profondeur pour le placard

	Dimension A Minimum	Dimension B Minimum
Avec réfrigérateur d'extérieur	37" (94 cm)	26" (66 cm)
Gril avec isolation thermique	36½" (92,7 cm)	27" (68,6 cm)
Gril sans isolation thermique	35½" (90,2 cm)	26" (66 cm)

## Dimensions de l'ouverture à découper - Gril encastré

Taille du gril	Dimension C	Dimension D	Dimension E
27" (68,6 cm)	29 <sup>5</sup> / <sub>8</sub> " (75,2 cm)	10 <sup>3</sup> / <sub>4</sub> " (27,3 cm)	22 <sup>7</sup> / <sub>8</sub> " (58,1 cm)
36" (91,4 cm)	38 <sup>5</sup> / <sub>8</sub> " (98,1 cm)	10 <sup>3</sup> / <sub>4</sub> " (27,3 cm)	22 <sup>7</sup> / <sub>8</sub> " (58,1 cm)
48" (121,9 cm)	50 <sup>5</sup> / <sub>8</sub> " (128,6 cm)	10 <sup>3</sup> / <sub>4</sub> " (27,3 cm)	22 <sup>7</sup> / <sub>8</sub> " (58,1 cm)

## Dimensions de l'ouverture à découper - Gril encastré avec isolation thermique

Taille du gril	Dimension C	Dimension D	Dimension E
27" (68,6 cm)	33" (83,8 cm)	11 <sup>3</sup> / <sub>4</sub> " (29,8 cm)	24" (61 cm)
36" (91,4 cm)	42" (106,7 cm)	11 <sup>3</sup> / <sub>4</sub> " (29,8 cm)	24" (61 cm)
48" (121,9 cm)	54" (137,2 cm)	11 <sup>3</sup> / <sub>4</sub> " (29,8 cm)	24" (61 cm)

## Dimensions de l'ouverture à découper - Brûleur Power™ encastré

Dimension C	Dimension D	Dimension E
19 <sup>3</sup> / <sub>8</sub> " (49,2 cm)	10 <sup>3</sup> / <sub>4</sub> " (27,3 cm)	19 <sup>3</sup> / <sub>4</sub> " (50,2 cm)

## Dimensions de l'ouverture à découper - Brûleur latéral encastré

Position du brûleur	Dimension C	Dimension D	Dimension E
De l'avant vers l'arrière	13½" (34,3 cm)	10 <sup>3</sup> / <sub>4</sub> " (27,3 cm)	22 <sup>5</sup> / <sub>8</sub> " (57,5 cm)
Côte à côte	24½" (62,2 cm)	10 <sup>3</sup> / <sub>4</sub> " (27,3 cm)	16 <sup>7</sup> / <sub>8</sub> " (42,9 cm)

## Dimensions de l'ouverture à découper - Brûleur à rôtissage encastré

Dimension C	Dimension D	Dimension E
13½" (34,3 cm)	10 <sup>5</sup> / <sub>8</sub> " (27 cm)	22 <sup>11</sup> / <sub>16</sub> " (57,6 cm)

### Dimensions de l'ouverture à découper - Comptoir pour rafraîchissements encastré

Dimension C	Dimension D	Dimension E
30½" (77,5 cm)	10¾" (27,3 cm)	23" (58,4 cm)

### Dimensions de l'ouverture à découper - Portes d'accès encastrées

Taille de la porte	Dimension F	Dimension L*
18" (45,7 cm)	16¾" (41,1 cm)	1½" (3,8 cm)
27" (68,6 cm)	25½" (63,8 cm)	1½" (3,8 cm)
30" (76,2 cm)	28½" (71,4 cm)	1½" (3,8 cm)
36" (91,4 cm)	34½" (86,7 cm)	1½" (3,8 cm)
48" (121,9 cm)	46½" (117,2 cm)	1½" (3,8 cm)

\*La dimension L représente la zone de surface de montage minimale autour de l'ouverture pour le montage de la porte ou des tiroirs facultatifs.

### Dimensions de l'ouverture à découper - Réfrigérateur d'extérieur

Dimension G	Dimension H
24" (61 cm)	35¼" (89,5 cm)

### Dimensions de l'ouverture à découper - Machine à glaçons d'extérieur

Dimension G	Dimension H
18" (45,7 cm)	34" (86,4 cm) min. à 34½" (87,6 cm) max.

### Dimensions de l'ouverture à découper - Tiroir-réchaud encastré

Taille du tiroir-réchaud	Dimension J
24" (61 cm)	22½" (57,2 cm)

### Dimensions de l'ouverture à découper - Tiroir utilitaire encastré ou tiroir à déchets encastré

Dimension M	Dimension L*
12¼" (31,1 cm)	1½" (3,8 cm)

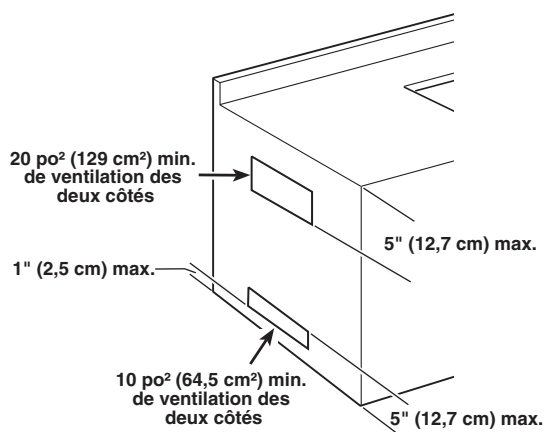
\*La dimension L représente la zone de surface de montage minimale autour de l'ouverture pour le montage de la porte ou des tiroirs facultatifs.

### Ventilation de l'enceinte du gril d'extérieur encastré - alimentation au propane :

L'enceinte pour la bouteille de gaz propane doit être ventilée au niveau des ouvertures supérieures et inférieures de l'enceinte.

#### En cas de conversion pour utilisation du propane, ces ouvertures d'aération doivent se trouver dans l'enceinte :

L'enceinte pour utilisation avec une bouteille de gaz propane pour installation encastrée doit comporter au moins une ouverture d'aération sur le côté extérieur exposé. L'ouverture d'aération doit être située à 5" (12,7 cm) maximum de la partie supérieure et doit être de 20 po<sup>2</sup> (129 cm<sup>2</sup>) minimum. Une ouverture d'aération doit être située à 1" (2,5 cm) max. de la partie inférieure de l'enceinte avec partie inférieure de l'ouverture de 10 po<sup>2</sup> (64,5 cm<sup>2</sup>) minimum. Aucune ouverture d'aération ne doit être obstruée. Chaque ouverture doit comporter une largeur de ⅛" (0,32 cm) minimum.



## Spécifications électriques

### **⚠ AVERTISSEMENT**



#### Risque de choc électrique

**Brancher sur une prise à 3 alvéoles reliée à la terre.**

**Ne pas enlever la broche de liaison à la terre.**

**Ne pas utiliser un adaptateur.**

**Ne pas utiliser un câble de rallonge.**

**Le non-respect de ces instructions peut causer un décès, un incendie ou un choc électrique.**

Si les codes le permettent et si on utilise un conducteur distinct de liaison à la terre, il est recommandé qu'un électricien qualifié vérifie la qualité de la liaison à la terre.

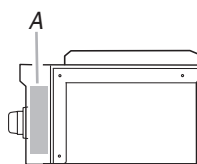
Consulter un électricien qualifié en cas de doute sur la qualité de la liaison à la terre du brûleur latéral.

L'appareil doit être alimenté par un circuit de 120 V, CA seulement, 60 Hz, 15 ampères, protégé par fusible.

Il est recommandé de raccorder le brûleur latéral sur un circuit distinct exclusif à cet appareil.

- Pour éviter un choc électrique, ne pas immerger le cordon ou les prises dans l'eau ou dans tout autre liquide.
- Débrancher la prise lorsque l'appareil n'est pas utilisé et avant le nettoyage. Attendre le refroidissement total avant d'installer ou de retirer des pièces.
- Ne pas faire fonctionner un appareil d'extérieur alimenté au gaz lorsque le cordon ou la prise est endommagé(e), lorsque l'appareil ne fonctionne pas correctement ou lorsqu'il a été endommagé d'une quelconque façon. Contacter le fabricant pour toute réparation.
- Ne pas laisser le cordon pendre sur le côté d'une table ou toucher des surfaces chaudes.
- Ne pas utiliser un appareil de cuisson d'extérieur à d'autres fins que celles pour lesquelles il est initialement conçu.
- Lors du raccordement, brancher d'abord l'appareil de cuisson d'extérieur alimenté au gaz, puis brancher l'appareil à une prise.
- Avec un appareil de cuisson d'extérieur alimenté au gaz, utiliser uniquement un circuit protégé par disjoncteur de fuite à la terre.
- Ne pas enlever la broche de liaison à la terre ou utiliser un adaptateur à deux broches.

La plaque signalétique est située sur la caisse du brûleur latéral sur le côté droit. Voir l'illustration ci-dessous.



A. Plaque signalétique des numéros de modèle et de série

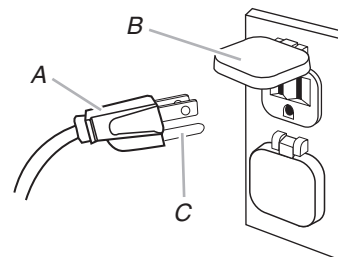
## Méthode recommandée de mise à la terre

Le brûleur latéral d'extérieur, une fois installé, doit être correctement relié à la terre conformément aux codes locaux en vigueur ou, en l'absence de tels codes, au National Electrical Code, ANSI/NFPA 70 ou au Code canadien de l'électricité, CSA C22.1.

On peut obtenir des exemplaires des normes mentionnées ci-dessus aux adresses suivantes :

CSA International  
8501 East Pleasant Valley Rd.  
Cleveland, Ohio 44131-5575

National Fire Protection Association  
One Batterymarch Park  
Quincy, Massachusetts 02269



- A. Prise à 3 broches reliée à la terre
- B. Prise murale polarisée d'extérieur à 3 alvéoles avec disjoncteur différentiel
- C. Broche de liaison à la terre

## Spécifications de l'alimentation en gaz

### **⚠ AVERTISSEMENT**



#### Risque d'explosion

**Utiliser une canalisation neuve d'arrivée de gaz pour utilisation à l'extérieur approuvée par la CSA International.**

**Bien serrer chaque organe de connexion de la canalisation de gaz.**

**En cas de connexion au gaz propane, demander à une personne qualifiée de s'assurer que la pression de gaz ne dépasse pas 11 po (28 cm) de la colonne d'eau.**

**Par personne qualifiée, on comprend :**

**le personnel autorisé de chauffage,  
le personnel autorisé d'une compagnie de gaz, et  
le personnel d'entretien autorisé.**

**Le non-respect de ces instructions peut causer un décès, une explosion ou un incendie.**

Observer les dispositions de tous les codes et règlements en vigueur.

**IMPORTANT :** L'installation doit satisfaire aux critères de tous les codes et règlements locaux. En l'absence de code local, l'installation doit satisfaire aux prescriptions de la plus récente édition du code national en vigueur : American National Standard, National Fuel Gas Code ANSI Z223.1 ou CAN/CGA B149.1.



**IMPORTANT :** Le brûleur latéral doit être raccordé à une source d'alimentation en gaz régulée.

Le type de gaz utilisable est indiqué sur la plaque signalétique de l'appareil; si celui-ci ne correspond pas au type de gaz disponible, consulter le fournisseur de gaz local.

#### Conversion pour changement de gaz :

Ne pas entreprendre de convertir le brûleur latéral pour l'utilisation d'un gaz différent de celui indiqué sur la plaque signalétique sans d'abord consulter le fournisseur de gaz. Dans un tel cas on doit utiliser l'ensemble de conversion fourni avec le brûleur latéral. Voir la section "Conversions de gaz" pour plus d'instructions.

### Détendeur

Le détendeur fourni avec ce brûleur latéral doit être utilisé. Pour un fonctionnement correct, la pression à l'entrée (alimentation) du détendeur doit être comme suit :

#### Gaz propane :

Pression de service : 11" (27,9 cm) (colonne d'eau)

Pression à l'entrée (alimentation) : 11" à 14" (27,9 cm à 35,5 cm) (colonne d'eau)

#### Gaz naturel :

Pression de service : 4" (10,2 cm) (colonne d'eau)

Pression de service (alimentation) : 7" à 14" (17,8 cm à 35,5 cm) (colonne d'eau) maximum.

En cas d'incertitude quant à la pression à l'entrée (alimentation), contacter le fournisseur de gaz local.

### Puissance thermique des brûleurs en altitude

Les débits thermiques indiqués sur la plaque signalétique correspondent à une altitude d'utilisation inférieure ou égale à 2000 pi (609,6 m).

Lorsque l'appareil est utilisé à une altitude supérieure à 2000 pi (609,6 m), on doit réduire le débit thermique indiqué de 4 % pour chaque tranche de 1000 pi (304,8 m) au-dessus du niveau de la mer. La conversion du gicleur du brûleur peut être nécessaire. Voir la section "Assistance ou service" pour commander.

### Test de pressurisation de la canalisation de gaz

#### Test de pressurisation à une pression relative supérieure à ½ lb/po<sup>2</sup> (3,5 kPa) ou 14" (35,5 cm) (colonne d'eau) :

Pour tout test de pressurisation du système à une pression supérieure à ½ lb/po<sup>2</sup> (3,5 kPa), on doit déconnecter le brûleur latéral et son robinet d'arrêt de la canalisation à pressuriser.

#### Test de pressurisation à une pression relative inférieure à ½ lb/po<sup>2</sup> (3,5 kPa) ou 14" (35,5 cm) (colonne d'eau) :

Le brûleur latéral devra être isolé de la canalisation de gaz par la fermeture du robinet d'arrêt manuel individuel durant tout test de pressurisation de la canalisation de gaz à une pression égale ou inférieure à ½ lb/po<sup>2</sup> (3,5 kPa).

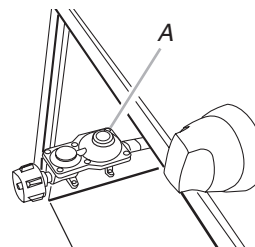
## Exigences concernant le raccordement au gaz

### Pour les modèles équipés pour le propane

#### Alimentation par bouteille de propane de 20 lb

Ce brûleur latéral est configuré pour l'alimentation à l'aide d'une bouteille de gaz propane de 20 lb (non fournie). L'ensemble détendeur/tuyau de raccordement flexible est fourni.

La conception de l'appareil est homologuée par CSA International pour l'alimentation au gaz propane ou pour l'alimentation au gaz naturel après conversion appropriée.

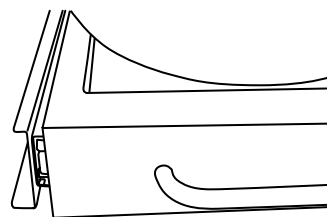


A. Ensemble détendeur/tuyau de raccordement

La bouteille de gaz propane de 20 lb doit être montée et immobilisée.

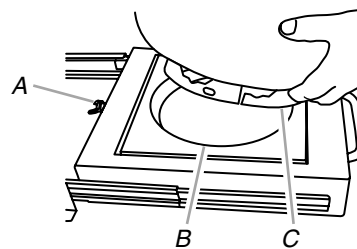
#### Chariot de la bouteille de style porte

1. Ouvrir les portes du placard.
2. Tirer le chariot.



Chariot de la bouteille

3. Placer la collerette inférieure de la bouteille de 20 lb dans le trou de montage du chariot.
4. Serrer la vis de blocage contre la collerette inférieure de la bouteille de gaz propane de 20 lb pour l'immobiliser.



A. Vis de blocage  
B. Trou pour montage  
C. Collerette inférieure

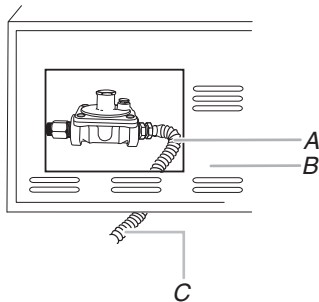
5. Réinsérer le chariot dans le placard.
6. Fermer les portes du placard.

## Conversion pour l'alimentation au gaz propane par canalisation locale

L'opération de conversion doit être exécutée par un technicien qualifié. Le technicien qualifié doit installer la canalisation de gaz jusqu'à l'emplacement choisi pour l'installation du brûleur latéral, en conformité avec les prescriptions de la plus récente édition du National Fuel Gas Code ANSI Z223.1/NFPA 54 et des codes locaux. Pour une conversion au gaz propane local, le détendeur convertible de l'ensemble de conversion fourni avec le brûleur latéral doit être utilisé.

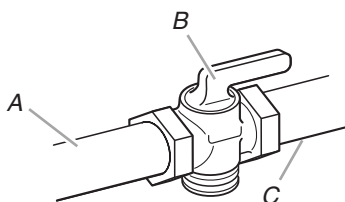
**IMPORTANT :** Le circuit de distribution de gaz doit être conforme aux prescriptions des codes locaux ou, en l'absence de code local, aux prescriptions de l'édition la plus récente du National Fuel Gas Code, ANSI Z223.1/NFPA 54. Un technicien qualifié doit installer la canalisation d'arrivée de propane jusqu'à l'emplacement d'installation du brûleur latéral, en conformité avec les prescriptions du National Fuel Gas Code, ANSI Z223.1/NFPA 54 et des codes locaux.

Suivre les instructions pour convertir au gaz propane local dans la section "Conversions de gaz".



- A. Conduit de raccordement flexible neuf, pour l'utilisation à l'extérieur (homologation CSA International)
- B. Arrière du brûleur latéral
- C. Vers canalisation locale de gaz propane

La canalisation d'alimentation doit comporter un robinet d'arrêt approuvé. Le robinet d'arrêt doit être installé au voisinage du brûleur latéral et être facilement accessible pour les manœuvres d'ouverture/fermeture. Ne pas entraver l'accès au robinet d'arrêt. Le robinet d'arrêt contrôle l'alimentation en gaz du brûleur latéral.



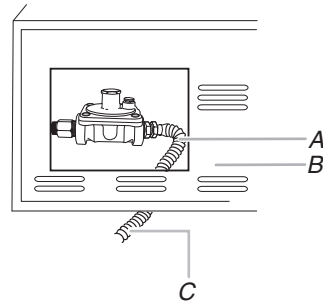
- A. Canalisation de gaz
- B. Robinet d'arrêt - position d'ouverture
- C. Vers le brûleur latéral

## Conversion pour l'alimentation au gaz naturel

L'opération de conversion doit être exécutée par un technicien qualifié. Le technicien qualifié doit installer la canalisation de gaz naturel jusqu'à l'emplacement choisi pour l'installation du brûleur latéral, en conformité avec les prescriptions de la plus récente édition du National Fuel Gas Code ANSI Z223.1/NFPA 54 et des codes locaux. Pour la conversion au gaz naturel, on doit utiliser l'ensemble de conversion pour gaz naturel fourni avec le brûleur latéral.

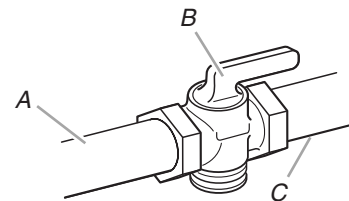
**IMPORTANT :** Le circuit de distribution de gaz doit être conforme aux prescriptions des codes locaux ou, en l'absence de code local, aux prescriptions de l'édition la plus récente du National Fuel Gas Code, ANSI Z223.1/NFPA 54.

Pour la conversion pour l'alimentation au gaz naturel, on doit utiliser l'ensemble de conversion pour gaz naturel fourni avec le brûleur latéral. Suivre les instructions de conversion au gaz naturel à la section "Conversions de gaz".



- A. Conduit de raccordement flexible neuf, pour l'utilisation à l'extérieur (homologation CSA International)
- B. Arrière du brûleur latéral
- C. Vers canalisation locale de gaz naturel

La canalisation d'alimentation doit comporter un robinet d'arrêt approuvé. Le robinet d'arrêt doit être installé au voisinage du brûleur latéral et être facilement accessible pour les manœuvres d'ouverture/fermeture. Ne pas entraver l'accès au robinet d'arrêt. Le robinet d'arrêt contrôle l'alimentation en gaz du brûleur latéral.



- A. Canalisation de gaz
- B. Robinet d'arrêt - position d'ouverture
- C. Vers le brûleur latéral

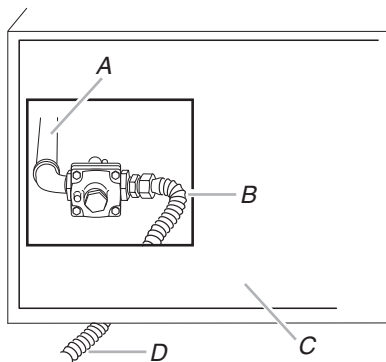
## Exigences concernant le raccordement au gaz

### Pour les modèles équipés pour le gaz naturel

#### Gaz naturel

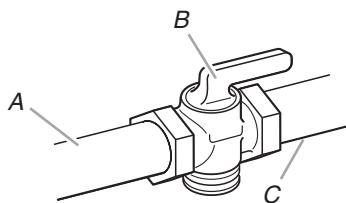
Les brûleurs latéraux encastrés sont configurés pour l'alimentation au gaz naturel. Leur conception est homologuée par CSA International pour l'alimentation au gaz de pétrole liquéfié (propane ou butane), après conversion appropriée.

Les brûleurs latéraux encastrés sont configurés pour l'alimentation au gaz naturel; ils comportent un détendeur avec un raccord à filetage femelle à 1/2".



- A. Tuyau d'admission de gaz du brûleur latéral
- B. Conduit de raccordement flexible neuf, pour l'utilisation à l'extérieur (homologation CSA International)
- C. Arrière du brûleur latéral
- D. Vers canalisation locale de gaz naturel

La canalisation d'alimentation doit comporter un robinet d'arrêt approuvé. Le robinet d'arrêt doit être installé au voisinage du brûleur latéral et être facilement accessible pour les manœuvres d'ouverture/fermeture. Ne pas entraver l'accès au robinet d'arrêt. Le robinet d'arrêt contrôle l'alimentation en gaz du brûleur latéral.

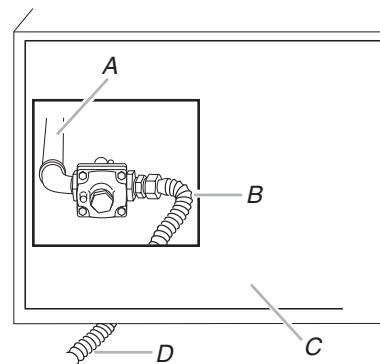


- A. Canalisation de gaz
- B. Robinet d'arrêt - position d'ouverture
- C. Vers le brûleur latéral

#### Conversion pour l'alimentation au propane (source de propane locale)

L'opération de conversion doit être exécutée par un technicien qualifié. Le technicien qualifié doit installer la canalisation de propane jusqu'à l'emplacement choisi pour l'installation du brûleur latéral, en conformité avec les prescriptions de la plus récente édition du National Fuel Gas Code ANSI Z223.1/NFPA 54 et des codes locaux.

Pour l'alimentation au propane, on doit utiliser l'ensemble de conversion pour propane (pièce n° W10118099). Suivre les instructions fournies avec l'ensemble.



- A. Tuyau d'admission de gaz du brûleur latéral
- B. Conduit de raccordement flexible neuf, pour l'utilisation à l'extérieur (homologation CSA International)
- C. Arrière du brûleur latéral
- D. Vers canalisation de gaz locale

#### Conversion pour l'alimentation au propane (bouteille de propane de 20 lb)

Pour l'alimentation au propane, on doit utiliser l'ensemble de conversion pour propane (pièce n° W10118099). Suivre les instructions fournies avec l'ensemble. On doit disposer d'une bouteille de propane de 20 lb (acquisition séparée).

## INSTRUCTIONS D'INSTALLATION

### Installation du brûleur latéral d'extérieur encastré

#### ⚠ AVERTISSEMENT

##### Risque du poids excessif

Utiliser deux ou plus de personnes pour déplacer et installer le brûleur latéral.

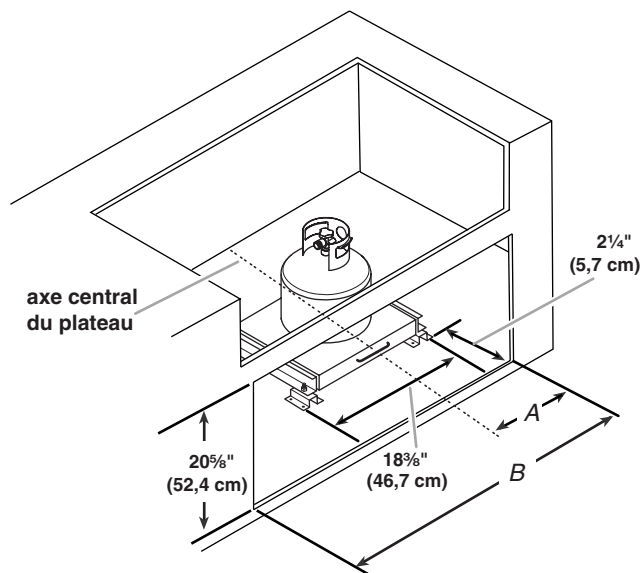
Le non-respect de cette instruction peut causer une blessure au dos ou d'autre blessure.

- Déballer le brûleur latéral. Enlever tous les matériaux d'emballage et retirer le brûleur latéral de son emballage.
- Déplacer le brûleur latéral dans l'emplacement d'installation à l'extérieur, mais laisser suffisamment d'espace à l'arrière pour le raccordement de l'alimentation en gaz et au circuit électrique avec une fiche à alvéole unique.

## Installation du chariot de bouteille de gaz propane de 20 lb

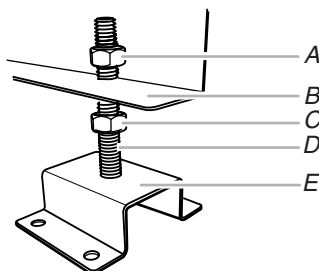
Pour les modèles équipés pour l'utilisation d'une bouteille de gaz propane de 20 lb

1. Placer le plateau de la bouteille de gaz propane dans le meuble en îlot.



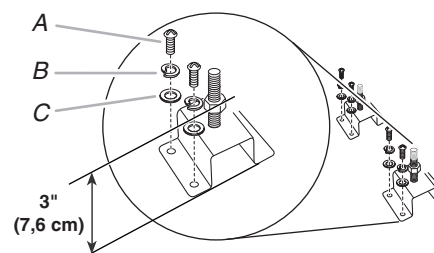
	Dimension A	Dimension B
Brûleur avec configuration avant/arrière	8 <sup>3</sup> / <sub>32</sub> " (20,6 cm)	16 <sup>3</sup> / <sub>16</sub> " (41,1 cm)
Brûleur juxtaposé	12 <sup>9</sup> / <sub>16</sub> " (31,9 cm)	25 <sup>1</sup> / <sub>8</sub> " (63,8 cm)

2. Aligner les brides de montage du chariot de la bouteille et marquer les trous de montage à la base du meuble en îlot.
3. Ôter les 4 écrous supérieurs du chariot de la bouteille et dégager le chariot des brides de montage en le soulevant.



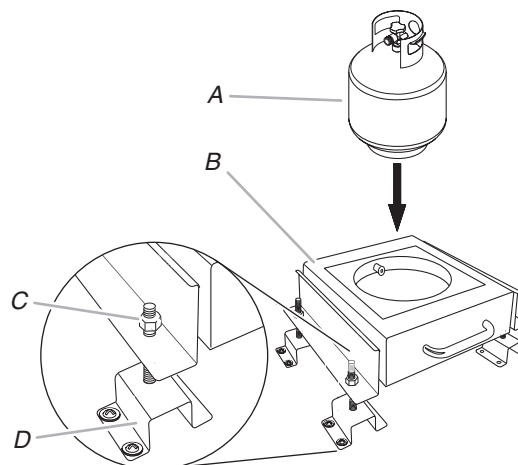
- A. Écrou supérieur  
 B. Chariot de la bouteille  
 C. Écrou inférieur  
 D. Boulon  
 E. Bride de montage

4. Fixer les brides de montage du chariot de la bouteille sur la base ou le plancher du meuble en îlot à l'aide de pièces de montage de type et de taille appropriés (non fournis). Resserrer les pièces de montage.



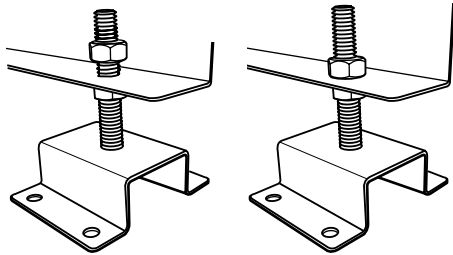
- A. Vis (utiliser une vis adéquate pour le matériau du plancher du meuble en îlot).  
 B. Rondelle de blocage  
 C. Rondelle plate

5. Pré-régler chacun des écrous inférieurs sur les brides de montage à 3" (7,6 cm) entre la base du meuble en îlot et le sommet des écrous.
6. Fixer à nouveau le chariot de la bouteille sur les brides de montage. Remettre en place les 4 écrous supérieurs mais ne pas serrer.



- A. Bouteille de gaz propane de 20 lb  
 B. Chariot de la bouteille de gaz de 20 lb  
 C. Écrou supérieur (ne pas serrer)  
 D. Bride de montage

7. Le chariot de la bouteille de gaz propane de 20 lb doit être ajusté de façon à ce que le bas du chariot se trouve à  $\frac{1}{8}$ " (0,32 cm) au-dessus de l'ouverture de la porte du placard et de niveau. Desserrer l'écrou supérieur de chaque bride de montage et visser chacun des écrous inférieurs dans le sens horaire ou antihoraire pour élever ou abaisser le chariot de la bouteille de propane. Lorsque le chariot est de niveau et qu'il coulisse sans toucher l'ouverture de la porte, serrer les écrous supérieurs contre le rebord d'ajustement.



A. Écrou supérieur desserré  
B. Écrou supérieur serré

**REMARQUE :** Il est nécessaire de monter à l'intérieur du meuble en îlot une bride ou une étagère (non fournie) qui soit suffisamment grande pour empêcher l'entreposage d'une autre bouteille de gaz propane de 20 lb dans l'espace d'entreposage situé sous le brûleur latéral.

## Raccordement de gaz

### Raccordement à une bouteille de gaz propane de 20 lb

# ⚠ AVERTISSEMENT



### Risque d'explosion

Utiliser une canalisation neuve d'arrivée de gaz pour utilisation à l'extérieur approuvée par la CSA International.

Bien serrer chaque organe de connexion de la canalisation de gaz.

En cas de connexion au gaz propane, demander à une personne qualifiée de s'assurer que la pression de gaz ne dépasse pas 11 po (28 cm) de la colonne d'eau.

Par personne qualifiée, on comprend :

le personnel autorisé de chauffage,  
le personnel autorisé d'une compagnie de gaz, et  
le personnel d'entretien autorisé.

Le non-respect de ces instructions peut causer un décès, une explosion ou un incendie.

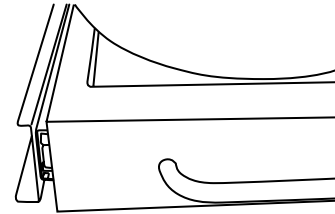
Si on passe du gaz propane au gaz naturel ou inversement, suivre les instructions de la section "Conversions de gaz".

**IMPORTANT :** Il faut acheter une bouteille de gaz propane de 20 lb.

**IMPORTANT :** Il est nécessaire d'utiliser l'ensemble détendeur/tuyau de raccordement fourni avec le brûleur latéral. Un détendeur/tuyau de raccordement de remplacement spécifique au brûleur latéral utilisé est disponible auprès de votre marchand de brûleur latéral d'extérieur.

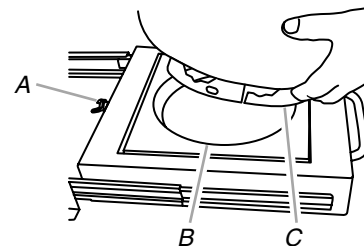
### Installation de la bouteille de propane de 20 lb :

1. Ouvrir les portes du placard.
2. Extraire le chariot.



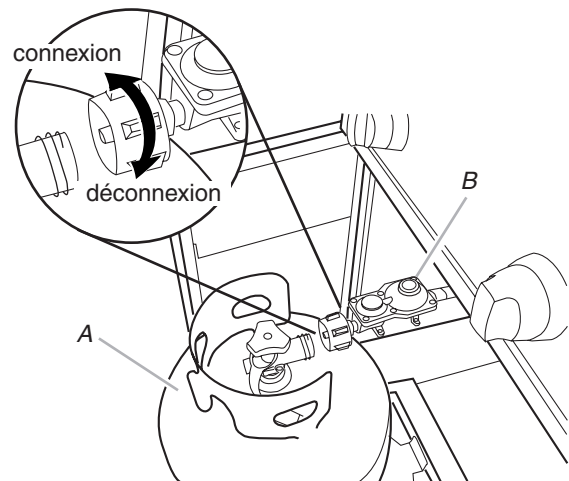
Chariot de la bouteille

3. Placer la collerette inférieure de la bouteille de gaz propane de 20 lb dans le trou de montage du chariot.
4. Serrer la vis de blocage contre la collerette inférieure de la bouteille de gaz propane de 20 lb pour l'immobiliser.



A. Vis de blocage  
B. Trou pour montage  
C. Collerette inférieure de la bouteille

5. Visser l'ensemble détendeur/tuyau de raccordement sur la bouteille de gaz propane de 20 lb - voir l'illustration. (Pour déconnecter, fermer l'alimentation en gaz à la bouteille de propane de 20 lb, puis dévisser le détendeur/la tuyauterie de la bouteille de propane de 20 lb tel qu'illustré).



A. Bouteille de gaz propane de 20 lb  
B. Ensemble détendeur/tuyau de raccordement

6. Ouvrir le robinet de la bouteille de gaz propane. Attendre quelques minutes pour que le gaz remplisse la canalisation.
7. Vérifier tous les raccords en les badigeonnant d'une solution de détection des fuites non corrosive approuvée. L'apparition de bulles indique une fuite. Réparer toute fuite éventuelle.
8. Réinsérer le chariot de la bouteille dans le placard.
9. Passer à "Branchement du brûleur latéral" dans cette section.

## ⚠ AVERTISSEMENT



### Risque d'explosion

Utiliser une canalisation neuve d'arrivée de gaz pour utilisation à l'extérieur approuvée par la CSA International.

Bien serrer chaque organe de connexion de la canalisation de gaz.

En cas de connexion au gaz propane, demander à une personne qualifiée de s'assurer que la pression de gaz ne dépasse pas 11 po (28 cm) de la colonne d'eau.

Par personne qualifiée, on comprend :

le personnel autorisé de chauffage,  
le personnel autorisé d'une compagnie de gaz, et  
le personnel d'entretien autorisé.

Le non-respect de ces instructions peut causer un décès, une explosion ou un incendie.

L'installation doit satisfaire aux critères des codes et règlements locaux. En l'absence de code local, l'installation doit être conforme aux critères de la plus récente édition du National Fuel Gas Code ANSI Z223.1, ou de la norme CAN/CGA-B149.1 Code des installations pour gaz naturel ou propane.

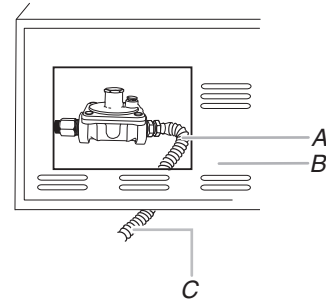
On peut obtenir des exemplaires des normes mentionnées ci-dessus aux adresses suivantes :

CSA International  
8501 East Pleasant Valley Rd.  
Cleveland, Ohio 44131-5575

National Fire Protection Association  
One Batterymarch Park  
Quincy, Massachusetts 02269

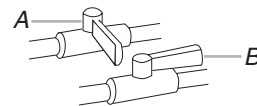
- Réaliser les raccordements de la canalisation de gaz. On doit employer une combinaison de raccords pour raccorder le brûleur latéral à la canalisation de gaz existante.
  - Si les codes locaux le permettent, pour le raccordement du brûleur latéral à la canalisation de gaz rigide, utiliser un conduit de raccordement flexible en acier inoxydable, homologué par CSA International pour l'utilisation à l'extérieur. On recommande l'emploi d'une canalisation de diamètre  $\frac{5}{8}$ ". À l'aide d'une clé pour serrer, raccorder l'alimentation en gaz au brûleur latéral. Utiliser un composé d'étanchéité des tuyauteries sur tous les filetages mâles non évasés. Veiller à ne pas écraser/déformer/endommager le conduit de raccordement flexible lors du déplacement du brûleur latéral.

- Utiliser un composé d'étanchéité pour tuyauterie compatible avec le gaz propane. Ne pas utiliser de ruban adhésif TEFLON<sup>®†</sup>.



- A. Conduit de raccordement flexible neuf, pour l'utilisation à l'extérieur (homologation CSA International)  
B. Arrière du brûleur latéral  
C. Vers canalisation de gaz naturel ou propane (locale)

- Ouvrir le robinet d'arrêt manuel sur la canalisation de gaz. Le robinet est ouvert lorsque la manette est parallèle à la canalisation de gaz.



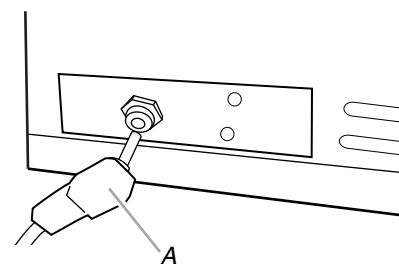
- A. Robinet fermé  
B. Robinet ouvert

- Vérifier tous les raccordements en les badigeonnant d'une solution de détection des fuites non corrosive approuvée. L'apparition de bulles indique une fuite. Réparer toute fuite éventuelle.

### Branchement du brûleur latéral

**REMARQUE :** Ce brûleur latéral d'extérieur encastré est fourni avec un transformateur/une prise de 2 085 mAmp de grosse taille pour les allumeurs de brûleur latéraux. Suivre les instructions de branchement et d'installation du transformateur. Tenir tout cordon d'alimentation électrique à l'écart des surfaces chaudes.

- Brancher la prise à une broche dans la prise située sur la partie inférieure gauche du brûleur latéral.



A. Prise à une broche

- Localiser ou créer une surface non-combustible à l'intérieur du placard en îlot pour installer le transformateur. Il doit être sur le côté gauche du brûleur latéral à un minimum de 3" (7,6 cm) du côté et 4" (10,2 cm) en-dessous du bas du brûleur latéral.

†TEFLON est une marque déposée de E.I. Du Pont De Nemours et Compagnie.

3. Installer le transformateur sur la surface de fixation à l'aide de 4 vis n° 8 (non fournies) du type et de la longueur appropriés au transformateur et à la surface. Il doit être installé avec le câble de la prise une broche vers le haut ou vers le brûleur latéral.

**REMARQUE :** Le cordon doit être bien fixé à l'aide d'un dispositif de retenue de cordon de façon à ce que la prise à 3 broches n'entre pas en contact avec la terre lors du débranchement.

4. Faire glisser doucement le brûleur latéral jusqu'à sa position finale dans l'enceinte d'encastrement

## **⚠ AVERTISSEMENT**



### **Risque de choc électrique**

**Brancher sur une prise à 3 alvéoles reliée à la terre.**

**Ne pas enlever la broche de liaison à la terre.**

**Ne pas utiliser un adaptateur.**

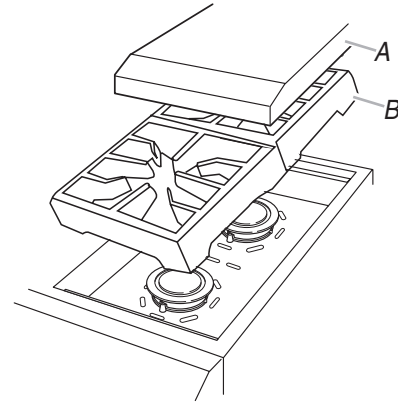
**Ne pas utiliser un câble de rallonge.**

**Le non-respect de ces instructions peut causer un décès, un incendie ou un choc électrique.**

5. Brancher sur une prise à 3 alvéoles reliée à la terre, protégée par disjoncteur de fuite à la terre.
  - Pour éviter un choc électrique, ne pas immerger les cordons ou les prises dans l'eau ou dans tout autre liquide.
  - Débrancher la prise lorsque l'appareil n'est pas utilisé et avant le nettoyage. Attendre le refroidissement total avant d'installer ou de retirer des pièces.
  - Ne pas faire fonctionner un appareil d'extérieur alimenté au gaz lorsque le cordon ou la prise est endommagé(e), lorsque l'appareil ne fonctionne pas correctement ou lorsqu'il a été endommagé d'une quelconque façon. Contacter le fabricant pour toute réparation.
  - Ne pas laisser le cordon pendre sur le côté d'une table ou toucher des surfaces chaudes.
  - Ne pas utiliser un appareil de cuisson d'extérieur à d'autres fins que celles pour lesquelles il est initialement conçu.
  - Lors du raccordement, brancher d'abord l'appareil de cuisson d'extérieur alimenté au gaz, puis brancher l'appareil à une prise.
  - Avec un appareil de cuisson d'extérieur alimenté au gaz, utiliser uniquement un circuit protégé par disjoncteur de fuite à la terre.
  - Ne pas enlever la broche de liaison à la terre ou utiliser un adaptateur à deux broches.

## **Installation de la zone de cuisson**

1. Soulever le couvercle et la grille et les mettre de côté.



A. Couvercle  
B. Grille

2. Retirer l'emballage autour des brûleurs.
3. Réinstaller la grille.
4. Jeter/recycler tous les matériaux d'emballage.
5. Faire glisser doucement le brûleur latéral jusqu'à sa position finale dans l'encastrement d'extérieur.
6. Passer à la section "Contrôle et réglage des brûleurs".

## **CONVERSIONS DE GAZ**

### **Pour les modèles équipés pour l'utilisation d'une bouteille de gaz propane de 20 lb**

**REMARQUE :** Les modèles qui sont équipés pour le gaz naturel nécessitent un ensemble de conversion pièce numéro W10118099 pour une conversion au gaz propane. Suivre les instructions de conversion fournies avec l'ensemble. Voir la section "Assistance ou service" pour des renseignements sur la commande.

### **Outillage et pièces**

Rassembler les outils et pièces nécessaires avant de commencer l'installation. Lire et suivre les instructions fournies avec les outils indiqués ici.

#### **Outils nécessaires**

- Tournevis Phillips
- Clé à tuyauterie
- Clé à molette
- Clé et douille de 10 mm ou tourne-écrou de 10 mm
- Petit tournevis à lame plate
- Pince
- Produit d'étanchéité des jointures homologué pour gaz propane

#### **Pièces fournies**

- Raccord en laiton
- Détendeur convertible gaz naturel de 4" (colonne d'eau)/gaz propane de 11" (colonne d'eau)
- Gicleurs de gaz naturel

**IMPORTANT :** L'opération de conversion de l'appareil doit être exécutée par un installateur qualifié. Avant d'entreprendre la conversion, fermer l'arrivée de gaz avant d'interrompre l'alimentation électrique de l'appareil.

Cet ensemble est conçu pour une utilisation à une altitude de 2 000 pi (609,6 m) ou moins au-dessus du niveau de la mer. Pour une utilisation de l'appareil à une altitude plus élevée, contacter KitchenAid au **1-800-607-6777** au Canada.

## ⚠️ AVERTISSEMENT



### Risque d'explosion

**Utiliser une canalisation neuve d'arrivée de gaz pour utilisation à l'extérieur approuvée par la CSA International.**

**Bien serrer chaque organe de connexion de la canalisation de gaz.**

**En cas de connexion au gaz propane, demander à une personne qualifiée de s'assurer que la pression de gaz ne dépasse pas 11 po (28 cm) de la colonne d'eau.**

**Par personne qualifiée, on comprend :**

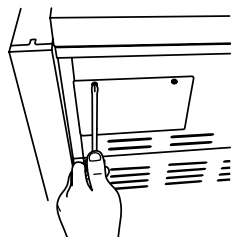
**le personnel autorisé de chauffage, le personnel autorisé d'une compagnie de gaz, et le personnel d'entretien autorisé.**

**Le non-respect de ces instructions peut causer un décès, une explosion ou un incendie.**

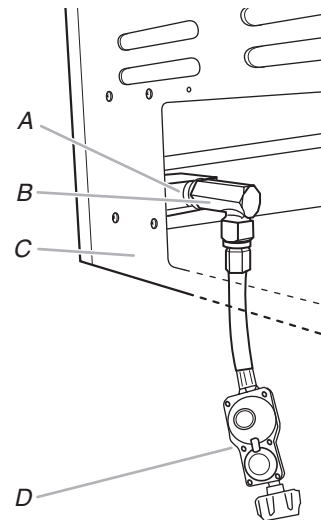
## Conversion au gaz propane local

### Installation du détendeur

1. Fermer le robinet d'arrêt de la canalisation de gaz.
2. Débrancher le brûleur latéral ou déconnecter la source de courant électrique.
3. Débrancher la bouteille de gaz propane de 20 lb (le cas échéant).
4. Fermer le robinet de commande de chaque brûleur.
5. Ôter le couvercle arrière et les 2 vis.



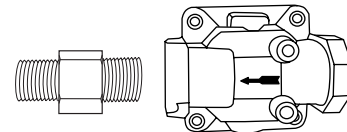
6. Utiliser une clé à molette pour démonter le détendeur/tuyau de raccordement pour propane du raccord de connexion de laiton. Utiliser une clé à molette pour démonter le raccord en laiton du robinet d'arrêt.



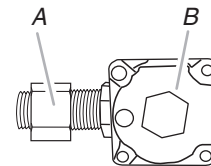
A. Tubulure de distribution  
B. Raccord en laiton  
C. Arrière du brûleur latéral  
D. Ensemble détendeur/tuyau de raccordement

7. Appliquer un composé d'étanchéité des tuyauteries sur le filetage du raccord en laiton. Employer un produit d'étanchéité des jointures homologué pour une utilisation avec gaz propane.
8. Utiliser une clé à molette pour installer le raccord en laiton (fourni) sur la tubulure de distribution.

**REMARQUE :** La flèche sur le détendeur doit être orientée vers le raccord en laiton.

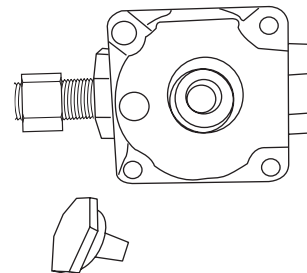


9. Utiliser une clé à tuyauterie pour installer le détendeur convertible. Une fois fixé, le chapeau de laiton doit être orienté vers le haut.



A. Raccord en laiton  
B. Détendeur convertible

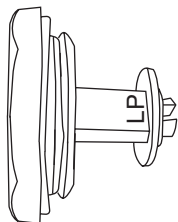
10. Pour configurer le détendeur de l'appareil pour l'alimentation au propane, utiliser une clé à molette et démonter le chapeau de laiton du détendeur convertible.



11. Examiner la tige sur le chapeau de laiton. Les lettres "NAT" doivent être visibles à l'extrémité de la tige de plastique la plus éloignée du chapeau de laiton.



- Séparer la tige du chapeau, inverser la position de la tige, et réinsérer la tige dans le chapeau de telle manière que les lettres "LP" soient maintenant visibles à l'extrémité de la tige la plus éloignée du chapeau de laiton.



- Utiliser une clé à molette pour réinstaller le chapeau sur le détendeur.

### Effectuer les raccordements au brûleur latéral

#### Raccordement à l'alimentation en gaz propane locale

- Utiliser une clé à tuyauterie pour connecter un conduit de raccordement homologué de 1/2" (1,3 cm) entre l'entrée du détendeur et la source de gaz propane et veiller à respecter les prescriptions de tous les codes locaux applicables. Lorsque c'est nécessaire, appliquer sur les filetages un composé d'étanchéité homologué pour utilisation avec gaz propane. Le circuit d'arrivée de gaz doit comporter un robinet d'arrêt manuel homologué facilement accessible à proximité du brûleur latéral.
- Ouvrir l'arrivée de gaz du brûleur latéral.
- Vérifier tous les raccordements en les badigeonnant d'une solution de détection des fuites non corrosive approuvée. L'apparition de bulles indique une fuite. Veiller à éliminer toute fuite détectée.

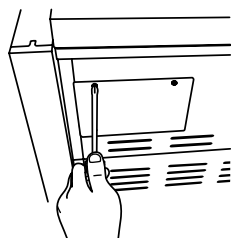
#### Enregistrer la conversion

Sur la dernière page du guide d'utilisation et d'entretien, inscrire "Converti pour l'alimentation au gaz propane locale". Enregistrer également la date de la conversion, le nom du technicien/de la compagnie qui a exécuté la conversion.

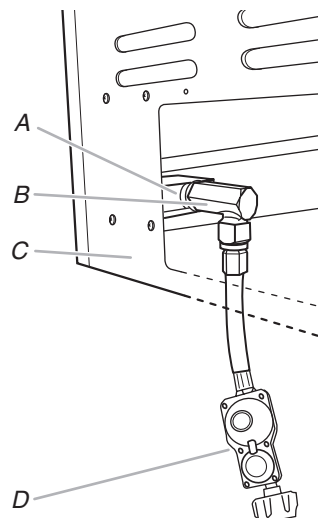
## Conversion de gaz propane à Gaz naturel

#### Installation du détendeur

- Fermer le robinet d'arrêt principal de la canalisation de gaz.
- Débrancher le brûleur latéral ou déconnecter la source de courant électrique.
- Débrancher la bouteille de gaz propane de 20 lb (le cas échéant).
- Fermer le robinet de commande de chaque brûleur.
- Ôter le couvercle arrière et les 2 vis.



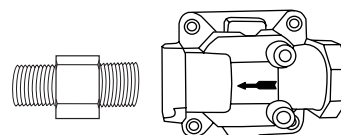
- Utiliser une clé à molette pour démonter le détendeur/tuyau de raccordement pour propane du raccord de connexion de laiton. Utiliser une clé à molette pour démonter le raccord de laiton du robinet d'arrêt.



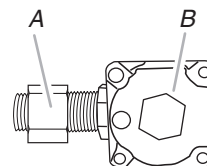
A. Tubulure de distribution  
B. Raccord en laiton  
C. Arrière du brûleur latéral  
D. Ensemble détendeur/tuyau de raccordement

- Appliquer un composé d'étanchéité des tuyauteries sur le filetage du raccord en laiton. Employer un produit d'étanchéité des jointures homologué pour une utilisation avec gaz propane.
- Utiliser une clé à molette pour installer le raccord en laiton (fourni) sur le robinet d'arrêt.

**REMARQUE :** La flèche sur le détendeur doit être orientée vers le raccord en laiton.

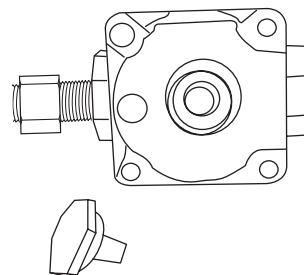


- Utiliser une clé à tuyauterie pour installer le détendeur convertible. Une fois fixé, le chapeau de laiton doit être orienté vers le haut.

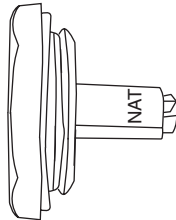


A. Raccord en laiton  
B. Détendeur convertible

- Pour s'assurer que le détendeur est réglé pour le gaz naturel, utiliser une clé à molette et ôter le chapeau de laiton du détendeur de l'appareil.



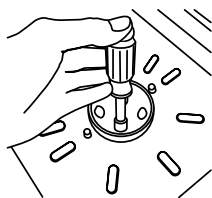
- Examiner la tige sur le chapeau de laiton. Si les lettres "NAT" ne sont pas visibles à l'extrémité de la tige de plastique la plus éloignée du chapeau de laiton, séparer la tige du chapeau, inverser la position de la tige et réinsérer la tige dans le chapeau de façon à ce que les lettres "NAT" soient visibles à l'extrémité de la tige la plus éloignée du chapeau de laiton.



- Réinstaller le chapeau sur le détendeur convertible.

### Remplacement des gicleurs du brûleur latéral

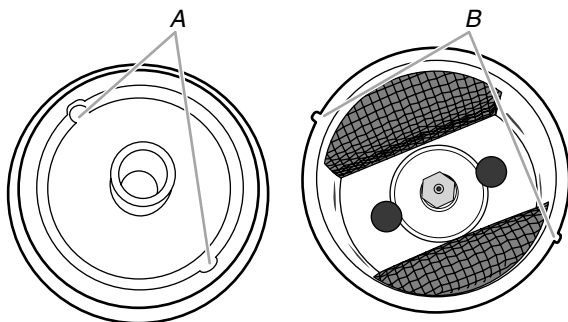
- Enlever les grilles de brûleur latéral.
- Ôter le chapeau de brûleur. Les chapeaux sont fixés à la base du brûleur. Tourner et soulever les chapeaux des brûleurs pour les retirer.
- Démonter les gicleurs de laiton de l'intérieur de la base du brûleur - utiliser une clé et une douille de 10 mm ou un tourne-écrou de 10 mm.



- Installer les nouveaux gicleurs de 2,1 fournis dans cet ensemble - utiliser une clé à douille de 10 mm ou un tourne-écrou de 10 mm.

**REMARQUE :** Les chiffres 2,1 gravés sur le gicleur indiquent sa taille.

- Répéter ce processus pour l'autre brûleur.
- Réinstaller manuellement le chapeau de brûleur et les autres composants. Aligner les fentes au bas du chapeau du brûleur avec les onglets sur la base du brûleur et tourner jusqu'à ce que le chapeau du brûleur soit fixé à la base. On doit sentir que le chapeau glisse dans la fente.



A. Fentes du chapeau du brûleur  
B. Onglets de la base du brûleur

- Réinstaller les grilles du brûleur latéral.

### Raccordement au gaz naturel et recherche des fuites

- Raccorder le tuyau d'alimentation homologué 1/2" (1,3 cm) à l'entrée du détendeur de la source de gaz naturel - utiliser une clé à tuyauterie; respecter les prescriptions de tous les codes locaux applicables. Lorsque c'est nécessaire, appliquer sur les filetages un composé d'étanchéité homologué pour une utilisation avec gaz propane. Le circuit d'arrivée de gaz doit comporter un robinet d'arrêt manuel (homologué) facilement accessible à proximité du gril.
- Ouvrir l'arrivée de gaz.
- Effectuer une recherche des fuites sur chaque connexion - utiliser une solution homologuée de détection des fuites, non corrosive. L'apparition de bulles indique une fuite. Réparer toute fuite éventuelle.

### Enregistrement de la conversion

- La plaque signalétique de l'appareil est située à l'intérieur du placard du gril, sur le côté droit. Utiliser un marqueur à encre permanente pour cocher la case de texte à côté de "Natural gas" (gaz naturel) et rayer "LP - Propane".

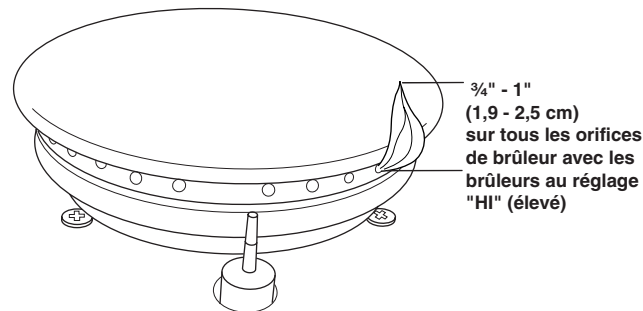
Sur la dernière page du guide d'utilisation et d'entretien, inscrire "Converti pour l'alimentation au gaz naturel". Enregistrer également la date de la conversion, le nom du technicien/nom de la compagnie qui a exécuté la conversion.

**REMARQUE :** Placer les pièces pour propane dans le sachet de plastique et avec les documents fournis avec l'appareil, pour pouvoir les réutiliser ultérieurement.

### Contrôle et réglage des brûleurs

Les brûleurs ont été testés et réglés à l'usine pour un fonctionnement efficace. Cependant de légères modifications du débit thermique minimum peuvent être nécessaires du fait de variations de la pression de distribution du gaz disponible et d'autres conditions.

On recommande que tout réglage des brûleurs soit exécuté par une personne qualifiée.

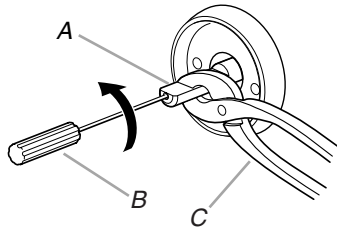


### Réglage pour le débit thermique minimum

Si le brûleur s'éteint lorsqu'il est réglé pour le débit thermique minimum (position LO), on doit effectuer un réglage particulier.

- Fermer le robinet et laisser les brûleurs refroidir complètement.
- Allumer le brûleur latéral - voir les instructions à la section "Utilisation du brûleur latéral d'extérieur".
- Placer le robinet à la position correspondant au débit thermique minimum et ôter le bouton.
- Immobiliser la tige de réglage du robinet avec une pince et insérer un petit tournevis à lame plate dans la tige creuse.
- Observer les flammes sur le brûleur et faire tourner doucement le tournevis dans le sens antihoraire.

- Régler pour obtenir des flammes stables de taille minimum.



A. Tige de réglage du robinet  
B. Petit tournevis à lame plate  
C. Pince

- Réinstaller le bouton sur le robinet et éteindre le brûleur.
- Répéter les étapes 3 à 7 pour chaque brûleur au besoin.

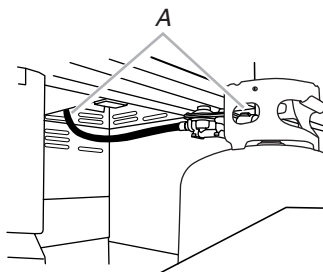
## UTILISATION DU BRÛLEUR LATÉRAL D'EXTÉRIEUR

### Inspection du tuyau de raccordement, entre le brûleur latéral et la bouteille de gaz propane

Avant chaque utilisation, inspecter l'ensemble détendeur/tuyau de raccordement.

- Ouvrir la porte du placard et faire glisser vers l'extérieur le chariot de la bouteille de gaz propane de 20 lb.
- Inspecter l'intégralité du tuyau de raccordement et l'ensemble détendeur/tuyau de raccordement; rechercher coupures, abrasions ou usure excessive.
- Si nécessaire, remplacer l'ensemble détendeur/tuyau de raccordement avant d'utiliser le brûleur latéral.

Pour la commande des tuyaux de remplacement spécifiques au brûleur latéral utilisé, contacter le marchand qui a vendu l'appareil.



A. Ensemble détendeur/tuyau de raccordement

### Préparation de l'alimentation en gaz

- Retirer le chapeau de brûleur latéral d'extérieur.
- Vérifier que le bouton de chaque robinet de gaz est à la position de fermeture OFF.

### Ouvrir l'arrivée de gaz

- Brûleur latéral d'extérieur, avec bouteille de gaz propane de 20 lb : Ouvrir lentement le robinet de la bouteille.  
**REMARQUE :** En cas d'activation d'un dispositif de limitation du débit de gaz, le brûleur latéral peut ne pas s'allumer. Si le brûleur latéral parvient à s'allumer, la taille des flammes sera réduite, de même que le débit thermique. Fermer le robinet de la bouteille et tous les robinets du brûleur latéral et attendre 30 secondes. Après la fermeture du robinet de la bouteille, ouvrir très lentement le robinet de la bouteille et attendre 5 secondes avant de tenter d'allumer un brûleur.
- Brûleur latéral d'extérieur avec source de gaz autre qu'une bouteille de gaz propane de 20 lb : Ouvrir le robinet d'arrêt manuel sur la canalisation de gaz. Le robinet est ouvert lorsque la manette est parallèle à la canalisation de gaz.

### Allumage du brûleur latéral

#### ⚠ AVERTISSEMENT



#### Risque de brûlures

**La flamme du brûleur ne doit pas dépasser du bord du récipient de cuisson.**

**Le non-respect de cette instruction peut causer des brûlures.**

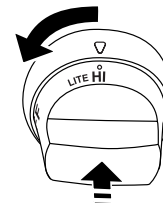
#### ⚠ AVERTISSEMENT

#### Risque d'empoisonnement alimentaire

**Ne pas laisser des aliments reposer plus d'une heure avant ou après la cuisson.**

**Le non-respect de cette instruction peut causer un empoisonnement alimentaire ou une maladie.**

- Retirer le chapeau de protection du brûleur latéral. Ne pas allumer un brûleur lorsque le chapeau est en place.
- Ne pas se pencher au-dessus du brûleur latéral.
- Enfoncer et tourner le bouton de commande à la position LITE/HI (allumage/élevée); le maintenir enfoncé.



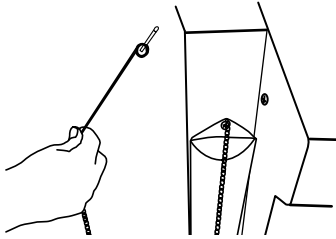
- On doit constater l'allumage de l'allumeur. Lorsque le brûleur est allumé, relâcher le bouton; tourner le bouton de commande au réglage désiré.

5. Répéter ce processus pour chaque brûleur à allumer.

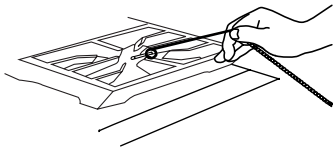
**IMPORTANT :** Si un brûleur ne s'allume pas immédiatement, ramener le bouton du robinet à la position d'arrêt OFF et attendre 5 minutes avant une nouvelle tentative.

### Allumage manuel du brûleur latéral

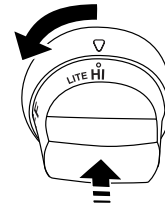
1. Retirer le chapeau de protection du brûleur latéral d'extérieur.
2. Prendre le porte-allumette manuel (voir l'illustration ci-dessous) et fixer une allumette dans la boucle.



3. Frotter l'allumette pour l'allumer.
4. Guider l'allumette vers le brûleur que vous souhaitez allumer.



5. Ne pas se pencher au-dessus du brûleur latéral. Pour le brûleur le plus proche de l'allumette, enfoncer et faire tourner le bouton du robinet jusqu'à la position LITE/Hi. Le brûleur s'allume immédiatement. Lorsque le brûleur est allumé, tourner le bouton jusqu'au réglage désiré.



6. Répéter l'opération pour chaque brûleur.
7. Retirer l'allumette; réinstaller le porte-allumette à l'intérieur de son support.

**IMPORTANT :** Si un brûleur ne s'allume pas immédiatement, ramener le bouton du robinet à la position d'arrêt OFF et attendre 5 minutes avant une nouvelle tentative.

Si un brûleur ne s'allume pas après une tentative d'allumage manuel, contacter le centre d'eXpérience pour la clientèle KitchenAid. Voir la section "Assistance ou service".

## ENTRETIEN DU BRÛLEUR LATÉRAL D'EXTÉRIEUR

### Nettoyage général

**IMPORTANT :** Avant le nettoyage, s'assurer que toutes les commandes sont éteintes et que le brûleur latéral a refroidi. Toujours suivre les instructions figurant sur les étiquettes des produits de nettoyage.

Pour le nettoyage de routine, laver à l'eau savonneuse à l'aide d'un chiffon doux ou d'une éponge. Rincer à l'eau propre et sécher immédiatement à l'aide d'un chiffon doux, sans charpie, afin d'éviter les taches et rayures.

Ne pas utiliser de laine d'acier pour nettoyer le brûleur latéral, car ceci égratignera la surface.

Utiliser le couvercle de protection en acier inoxydable du brûleur latéral afin d'éviter que le fini ne subisse de dommages liés aux intempéries.

### ACIER INOXYDABLE

**IMPORTANT :** Afin d'éviter d'endommager les surfaces en acier inoxydable, ne pas utiliser de tampons de récurage savonneux, de nettoyants abrasifs, de crème à polir pour table de cuisson, de laine d'acier, de chiffons de lavage rugueux ou d'essuie-tout.

Afin d'éviter d'endommager le fini, les produits de nettoyage ne doivent pas contenir de chlore.

Les renversements d'aliments doivent être nettoyés dès que le brûleur latéral a entièrement refroidi. Les renversements peuvent causer une décoloration permanente.

#### Méthode de nettoyage :

- Frotter dans la direction du grain pour éviter d'égratigner ou d'endommager la surface.

- Nettoyant et poli pour acier inoxydable KitchenAid® - Pièce n° 4396920 (non incluse) ou chiffons pour acier inoxydable KitchenAid® - Pièce n° 8212510 (non incluse) : Voir la section "Assistance ou service" pour commander.
- Détergent liquide ou nettoyant tout-usage
- Rincer à l'eau propre et sécher avec un chiffon doux sans charpie.
- Vinaigre pour éliminer les taches d'eau dure.
- Nettoyant à vitre pour éliminer les traces de doigts.

### EXTÉRIEUR

La qualité de ce matériau résiste à la plupart des taches et piqûres de corrosion dès lors que la surface est entretenue et maintenue propre.

- Appliquer le poli pour acier inoxydable sur toutes les zones non dédiées à la cuisson avant la première utilisation. Appliquer de nouveau après chaque nettoyage pour éviter les dommages permanents à la surface.
- Le nettoyage doit toujours être suivi d'un rinçage à l'eau tiède propre.
- Essuyer complètement la surface à l'aide d'un chiffon doux.
- Pour les taches tenaces ou la graisse incrustée, utiliser le produit dégraissant pour grill de barbecue et de cuisine, pièce n° 31617, un produit conçu pour l'acier inoxydable.

Voir la section "Assistance ou service" pour commander.

## INTÉRIEUR

On doit s'attendre à une décoloration de l'acier inoxydable sur ces pièces, du fait de la chaleur intense provenant des brûleurs. Toujours frotter dans la direction du grain. Le nettoyage doit toujours être suivi d'un rinçage à l'eau tiède propre.

### Méthode de nettoyage :

- Détergent liquide ou nettoyant tout-usage.
- Rincer à l'eau propre et sécher complètement avec un chiffon doux sans charpie.
- Une éponge à gratter robuste peut être utilisée avec des produits détergents doux.
- Pour les petites zones, difficiles à nettoyer, utiliser le produit dégraissant pour grill de barbecue et de cuisine, pièce n° 31617, un produit conçu pour l'acier inoxydable. Voir la section "Assistance ou service" pour commander.

## CHAPEAUX ET GRILLE DE BRÛLEUR LATÉRAL

### Méthode de nettoyage :

- Nettoyer à l'aide d'une brosse en laiton.
- Laver la grille à l'aide d'un détergent doux, d'eau tiède et d'un produit de dégraissage.
- Rincer à l'eau propre et sécher avec un chiffon doux sans charpie.
- Nettoyant et poli pour acier inoxydable KitchenAid® - Pièce n° 4396920 (non incluse) ou chiffons pour acier inoxydable KitchenAid - Pièce n° 8212510 (non incluse) : Voir la section "Assistance ou service" pour commander.

## BOUTONS ET REBORD DES BOUTONS

**IMPORTANT :** Pour éviter d'endommager les boutons et le rebord des boutons, ne pas utiliser de laine d'acier, de produits de nettoyage abrasifs ou de nettoyant pour four.

Ne pas immerger les boutons de commande.

### Méthode de nettoyage :

- Détergent doux, chiffon doux et eau tiède.
- Rincer et sécher.

## ILLUSTRATIONS DU TABLEAU DE COMMANDE

**IMPORTANT :** Afin d'éviter d'endommager les indications du tableau de commande, ne pas utiliser de laine d'acier, de produits de nettoyage abrasifs ou de nettoyant pour four.

Ne pas vaporiser le nettoyant directement sur le tableau.

### Méthode de nettoyage :

- Nettoyer doucement autour des étiquettes des brûleurs; le frottement pourrait effacer les indications.
- Détergent doux, chiffon doux et eau tiède.
- Rincer et sécher.

# DÉPANNAGE

**Essayer les solutions suggérées ici d'abord afin d'éviter le coût d'une visite de service non nécessaire.**

### Rien ne fonctionne

- **Le robinet principal d'arrêt ou de réglage du gaz est-il à la position fermée?**  
Voir les Instructions d'installation.
- **Le brûleur latéral est-il bien raccordé à la canalisation de gaz?**  
Contacter un technicien de réparation qualifié ou voir les Instructions d'installation.

## ⚠ AVERTISSEMENT



### Risque de choc électrique

**Brancher sur une prise à 3 alvéoles reliée à la terre.**

**Ne pas enlever la broche de liaison à la terre.**

**Ne pas utiliser un adaptateur.**

**Ne pas utiliser un câble de rallonge.**

**Le non-respect de ces instructions peut causer un décès, un incendie ou un choc électrique.**

- **Le cordon d'alimentation de 2 085 mA est-il débranché?**  
Brancher sur une prise à 3 alvéoles reliée à la terre.
- **Un fusible est-il grillé ou le disjoncteur s'est-il déclenché?**  
Remplacer le fusible ou réenclencher le disjoncteur. Si le problème persiste, contacter un électricien.

---

# ASSISTANCE OU SERVICE

---

Avant de faire un appel pour assistance ou service, veuillez vérifier la section "Dépannage". Cette vérification peut vous faire économiser le coût d'une visite de service. Si vous avez encore besoin d'aide, suivez les instructions ci-dessous.

Lors d'un appel, veuillez connaître la date d'achat, le numéro de modèle et le numéro de série au complet de l'appareil. Ces renseignements nous aideront à mieux répondre à votre demande.

## Si vous avez besoin de pièces de rechange

Si vous avez besoin de commander des pièces de rechange, nous vous recommandons d'employer uniquement des pièces spécifiées par l'usine. Les pièces spécifiées par l'usine conviendront et fonctionneront bien parce qu'elles sont fabriquées avec la même précision que celle utilisée dans la fabrication de chaque nouvel appareil KITCHENAID®.

Pour localiser des pièces spécifiées par l'usine dans votre région, nous appeler ou contacter le centre de service désigné KitchenAid le plus proche.

---

## Accessoires

### Produit dégraissant pour gril de barbecue et de cuisine

Commander la pièce n° 31552A

### Nettoyant et poli pour acier inoxydable

Commander la pièce n° 31462A

### Chiffons pour acier inoxydable

Commander la pièce n° 8212510A

### Ensemble de conversion au gaz naturel

Commander la pièce n° W10118098

### Ensemble de conversion au gaz propane

Commander la pièce n° W10118099

---

## Au Canada

Veuillez appeler sans frais le Centre pour l'eXpérience de la clientèle de KitchenAid Canada au : **1-800-807-6777**.

### Nos consultants vous renseigneront sur les sujets suivants :

- Caractéristiques et spécifications sur toute notre gamme d'appareils électroménagers.
- Consignes d'utilisation et d'entretien.
- Vente d'accessoires et de pièces de rechange.
- Références aux marchands locaux, aux distributeurs de pièces de rechange et aux compagnies de service. Les techniciens de service désignés par KitchenAid Canada sont formés pour remplir la garantie des produits et fournir un service après la garantie, partout au Canada.

### Pour plus d'assistance

Si vous avez besoin de plus d'assistance, vous pouvez soumettre par écrit toute question ou préoccupation à KitchenAid Canada à l'adresse suivante :

Centre pour l'eXpérience de la clientèle  
KitchenAid Canada  
200 - 6750 Century Ave.  
Mississauga, Ontario L5N 0B7

Veuillez inclure dans votre correspondance un numéro de téléphone où l'on peut vous joindre dans la journée.

---

# GARANTIE DES PRODUITS POUR USAGE EXTÉRIEUR KITCHENAID®

---

## GARANTIE LIMITÉE

Pendant un an à compter de la date d'achat, lorsque ce produit pour usage extérieur est utilisé et entretenu conformément aux instructions jointes à ou fournies avec le produit, la marque KitchenAid de Whirlpool Corporation ou Whirlpool Canada LP (ci-après désignées "KitchenAid") paiera pour les pièces spécifiées par l'usine et la main-d'œuvre pour corriger les vices de matériaux ou de fabrication. Le service doit être fourni par une compagnie de service désignée par KitchenAid. Cette garantie limitée est valide uniquement aux États-Unis ou au Canada et s'applique exclusivement lorsque l'appareil pour usage extérieur est utilisé dans le pays où il a été acheté. À l'extérieur du Canada et des 50 États des États-Unis, cette garantie limitée ne s'applique pas. Une preuve de la date d'achat original est exigée pour obtenir un service dans le cadre de la présente garantie limitée.

---

## GARANTIE LIMITÉE DE LA DEUXIÈME À LA CINQUIÈME ANNÉE INCLUSIVEMENT SUR LES PIÈCES POUR LES GRILS UNIQUEMENT

De la deuxième à la cinquième année inclusivement à compter de la date d'achat, lorsque ce gril est utilisé et entretenu conformément aux instructions jointes à ou fournies avec le produit, KitchenAid paiera pour les pièces spécifiées par l'usine pour corriger les vices de matériaux ou de fabrication.

---

## GARANTIE LIMITÉE À VIE SUR LES COMPOSANTS EN ACIER INOXYDABLE POUR LES GRILS UNIQUEMENT

Pour la durée de vie du produit, lorsque ce gril est utilisé et entretenu conformément aux instructions jointes à ou fournies avec le produit, KitchenAid paiera pour le remplacement de la structure en acier inoxydable en cas de vices de matériaux ou de fabrication. Pour la durée de vie du produit, lorsque ce gril est utilisé et entretenu conformément aux instructions jointes à ou fournies avec le produit, KitchenAid paiera pour les pièces de rechange des brûleurs du gril en acier inoxydable.

---

## ARTICLES EXCLUS DE LA GARANTIE

La présente garantie limitée ne couvre pas :

1. Les visites de service pour rectifier l'installation du produit pour usage extérieur, montrer à l'utilisateur comment utiliser l'appareil pour usage extérieur, remplacer ou réparer des fusibles ou rectifier le câblage ou la plomberie du domicile.
2. Les défauts apparents, notamment les éraflures, les bosses, fissures ou tout autre dommage au fini du produit pour usage extérieur, à moins que ces dommages soient dus à des vices de matériaux ou de fabrication et soient signalés à KitchenAid dans les 30 jours suivant la date d'achat.
3. Les réparations lorsque le produit pour usage extérieur est utilisé à des fins autres que l'usage unifamilial normal ou lorsque les instructions d'installation et/ou les instructions de l'opérateur ou de l'utilisateur fournies ne sont pas respectées.
4. Les dommages imputables à : accident, modification, usage impropre ou abusif, incendie, inondation, actes de Dieu, installation fautive ou installation non conforme aux codes d'électricité ou de plomberie, ou l'utilisation de pièces consommables ou de produits nettoyants non approuvés par KitchenAid.
5. L'ensemble de conversion ou l'appel de service pour la conversion de produit pour usage extérieur de gaz naturel à propane ou de propane à gaz naturel.
6. Les coûts associés au transport du produit pour usage extérieur du domicile pour réparation. Ce produit pour usage extérieur est conçu pour être réparé à domicile et seul le service à domicile est couvert par la présente garantie.
7. Les réparations aux pièces ou systèmes résultant d'une modification non autorisée faite à l'appareil pour usage extérieur.
8. Les frais de transport pour le service d'un produit si votre appareil pour usage extérieur est situé dans une région éloignée où un service d'entretien KitchenAid autorisé n'est pas disponible.
9. La dépose et la réinstallation de votre appareil pour usage extérieur si celui-ci est installé dans un endroit inaccessible ou n'est pas installé conformément aux instructions d'installation fournies.
10. Les dommages résultant de l'usure normale du produit pour usage extérieur.
11. Les appareils pour usage extérieur dont les numéros de série et de modèle originaux ont été enlevés, modifiés ou qui ne peuvent pas être facilement identifiés. La présente garantie est nulle si le numéro de série d'usine a été modifié ou enlevé du produit pour usage extérieur.

Le coût d'une réparation ou d'un remplacement dans le cadre de ces circonstances exclues est à la charge du client.

---

## CLAUSE D'EXONÉRATION DE RESPONSABILITÉ AU TITRE DES GARANTIES IMPLICITES; LIMITATION DES RECOURS

LE SEUL ET EXCLUSIF RECOURS DU CLIENT DANS LE CADRE DE LA PRÉSENTE GARANTIE LIMITÉE CONSISTE EN LA RÉPARATION PRÉVUE CI-DESSUS. LES GARANTIES IMPLICITES, Y COMPRIS LES GARANTIES APPLICABLES DE QUALITÉ MARCHANDE ET D'APTITUDE À UN USAGE PARTICULIER, SONT LIMITÉES À UN AN OU À LA PLUS COURTE PÉRIODE AUTORISÉE PAR LA LOI. KITCHENAID N'ASSUME AUCUNE RESPONSABILITÉ POUR LES DOMMAGES FORTUITS OU INDIRECTS. CERTAINES JURIDICTIONS NE PERMETTENT PAS L'EXCLUSION OU LA LIMITATION DES DOMMAGES FORTUITS OU INDIRECTS, OU LES LIMITATIONS DE LA DURÉE DES GARANTIES IMPLICITES DE QUALITÉ MARCHANDE OU D'APTITUDE À UN USAGE PARTICULIER, DE SORTE QUE CES EXCLUSIONS OU LIMITATIONS PEUVENT NE PAS S'APPLIQUER DANS VOTRE CAS. CETTE GARANTIE VOUS CONFÈRE DES DROITS JURIDIQUES SPÉCIFIQUES ET VOUS POUVEZ ÉGALEMENT JOUIR D'AUTRES DROITS QUI PEUVENT VARIER D'UNE JURIDICTION À UNE AUTRE.

---

Si vous résidez à l'extérieur du Canada et des 50 États des États-Unis, contactez votre marchand KitchenAid autorisé pour déterminer si une autre garantie s'applique.

Si vous avez besoin de service, voir d'abord la section "Dépannage" du Guide d'utilisation et d'entretien. Après avoir vérifié la section "Dépannage", de l'aide supplémentaire peut être trouvée en vérifiant la section "Assistance ou service" ou en appelant KitchenAid. Aux É.-U., composer le 1-800-422-1230. Au Canada, composer le 1-800-807-6777.

2/09

---

**Conservez ce manuel et votre reçu de vente ensemble pour référence ultérieure. Pour le service sous garantie, vous devez présenter un document prouvant la date d'achat ou d'installation.**

Inscrivez les renseignements suivants au sujet de votre gros appareil ménager pour mieux vous aider à obtenir assistance ou service en cas de besoin. Vous devrez connaître le numéro de modèle et le numéro de série au complet. Vous trouverez ces renseignements sur la plaque signalétique située sur le produit.

Nom du marchand \_\_\_\_\_

Adresse \_\_\_\_\_

Numéro de téléphone \_\_\_\_\_

Numéro de modèle \_\_\_\_\_

Numéro de série \_\_\_\_\_

Date d'achat \_\_\_\_\_