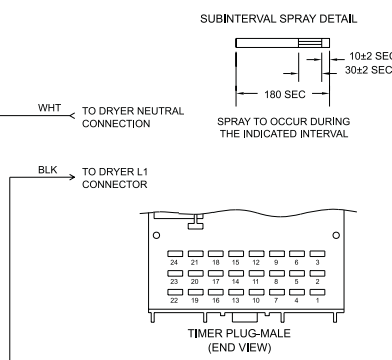
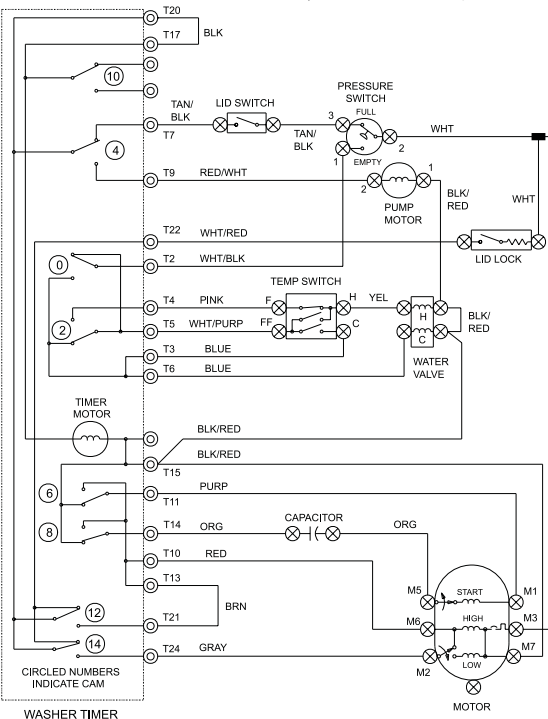


CAUTION: DISCONNECT ELECTRIC CURRENT BEFORE SERVICING

TERM	TERM	TERM	REGULAR	REGULAR	REGULAR	OFF	EX. RINSE	EX. RINSE	OFF	PERM. PRESS	PERM. PRESS	PERM. PRESS	OFF	KNITS & DELICATE	KNITS & DELICATE	KNITS & DELICATE	OFF	SOAK	SOAK	OFF	
MIN	MAX	MIN	WASH (15 MN)	PUMP (6 MN)	RINSE (12 MN)	OFF	EX. RINSE (9 MN)	OFF	OFF	WASH (12 MN)	PUMP (6 MN)	RINSE (6 MN)	OFF	WASH (6 MN)	PUMP (6 MN)	RINSE (6 MN)	OFF	SOAK (12 MN)	PUMP (6 MN)	OFF	
0	2	1	WATER TEMP																		
3	4	2	SIS SPRAY																		
5	6	3	WASH FILL																		
7	8	4	RINSE FILL																		
9	10	5	LID SW BYPASS																		
11	12	6	PUMP																		
13	14	7	SPIN DR																		
15	16	8	AGITATE DR																		
17	18	9	AGITATE DR																		
19	20	10	SPIN DR																		
21	22	11	PS. BYPASS																		
23	24	12	HIGH SPEED MOTOR																		
			PS. BYPASS																		
			LOW SPEED MOTOR																		



WIRING CODES

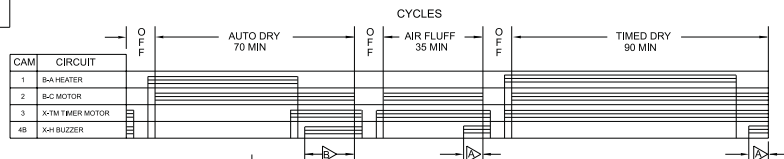
- ⊙ PLUG IN TIMER TERMINAL
- ⊗ QUICK DISCONNECT TERMINAL
- ⊕ SCREW TERMINAL
- CONNECTION
- + NO CONNECTION
- ⊖ MOTOR SWITCH
- SPLICE
- ⊖ MOTOR PROTECTOR
- ⊖ CHASSIS (CABINET) GROUND
- ⊖ HARNESS CONNECTOR TERMINAL
- ⊖ INSULATED TERMINAL

- NOTES:
- ALL WIRING MUST CONFORM TO LOCAL ELECTRICAL CODES.
 - CONNECT DRYER TO 30 AMP INDIVIDUAL BRANCH CIRCUIT.
 - DRYER TIMER SHOWN IN OFF POSITION, DOOR SWITCH CLOSED, MOTOR AT REST, THERMOSTAT CLOSED, AND FABRIC SELECTOR SWITCH AT HIGH HEAT.
- WASHER TIMER SHOWN IN ON POSITION, TEMPERATURE SELECTOR SWITCH AT HOT WASH/COLD RINSE, AND PRESSURE SWITCH FULL.

TEMPERATURE SWITCH CIRCUIT

	F-H	FF-H	FF-C
WASH/RINSE	X	O	O
HOT/COLD	X	O	O
WARM/WARM (OPT)	O	X	X
COLD/COLD	O	O	X
WARM/COLD	X	O	X

X=CLOSED O=OPEN



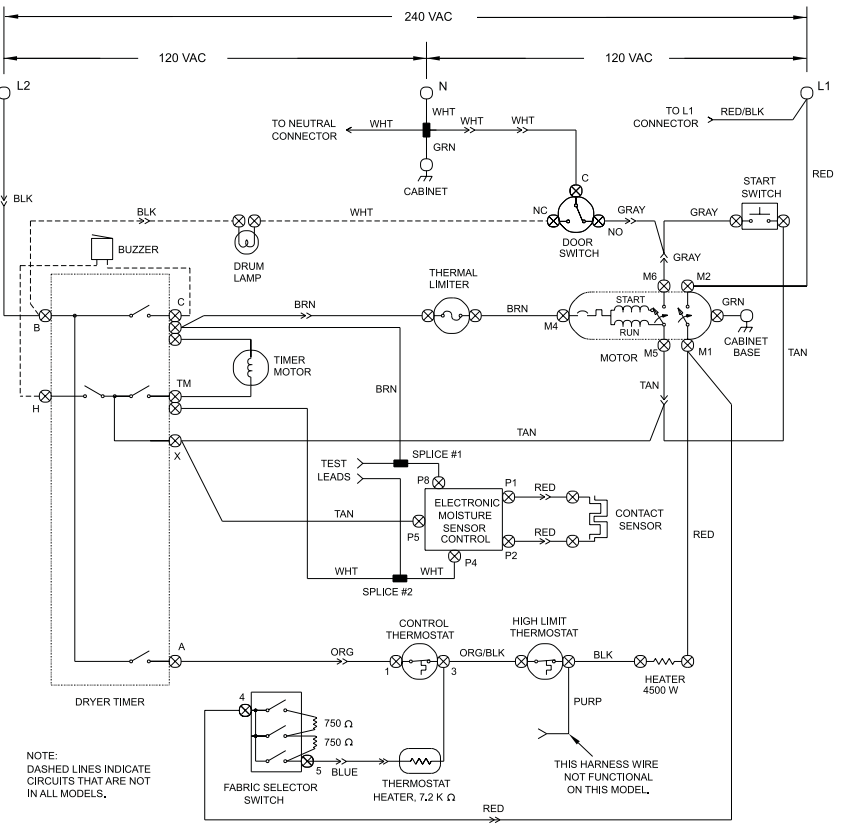
THE BAR CHART ABOVE REPRESENTS ONE COMPLETE REVOLUTION OF TIMER SHAFT.

SHADED PORTION OF BAR CHART INDICATES THE PROPORTIONAL TIMES THAT INTERNAL TIMER CONTACTS ARE CLOSED.

A PULSER CAM, LOCATED NEXT TO THE BUZZER CAM AND ROTATING AT 12 REVOLUTIONS PER HOUR, ALLOWS CIRCUIT "X-H" TO CLOSE FOR 5 SECONDS (43 SECONDS)

⊖ 1 OR 2 TIMES IN THIS AREA

⊖ 3 TO 4 TIMES IN THIS AREA



FABRIC SELECTOR SWITCH

POSITION	FUNCTION	RESISTANCE (4-5)
1	HIGH	OPEN CIRCUIT
2	MEDIUM	1.5KΩ 1.5K±5%
3	MEDIUM/LOW	750Ω 750±5%
4	LOW	10Ω MAX

NOTE: DASHED LINES INDICATE CIRCUITS THAT ARE NOT IN ALL MODELS.

THIS HARNESS WIRE NOT FUNCTIONAL ON THIS MODEL.

E