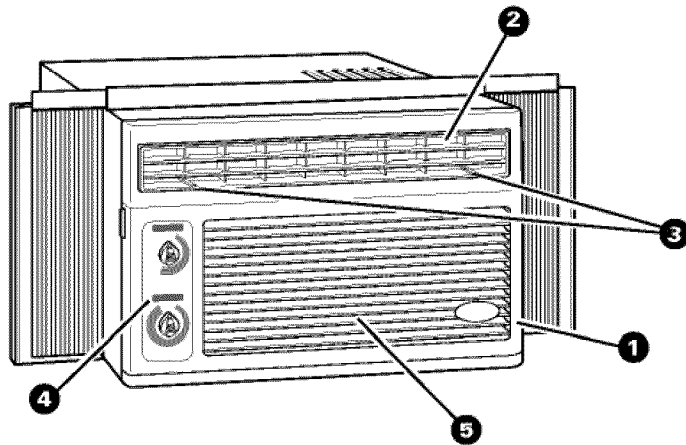


Use and Care Guide and Installation Instructions

Comfort-Aire



1. Front panel
2. Air louvers
3. Air direction tabs
4. Control panel
5. Filter

ROOM AIR
CONDITIONER

Questions regarding features,
operation/performance, parts,
accessories or service?

Call 1-800-253-1301

www.whirlpool.com

4380701

© 2000 All rights reserved

P/No.: 3828A20049W

Printed in Korea

Contents

Use and Care Guide

	Page
A Note To You	2
Air Conditioner Safety	3
Important Safety Instructions	3
Operating Your Air Conditioner	4
Starting your air conditioner	4
Changing air direction	4
Saving energy	4
Normal operating sounds	4
Caring for Your Air Conditioner	5
Cleaning the air filter	5
Cleaning the front panel	5
Repairing paint damage	5
Troubleshooting	6
Ordering Accessories	8
Requesting Assistance or Service	8

Installation Instructions

	Page
Location	9
Tools needed	9
Parts supplied	9
Electrical requirements	10
Window preparation	10
Installation	11
Warranty	12

A Note To You

Thank you for buying this appliance.

To ensure you enjoy years of trouble-free operation, we developed this Use and Care Guide. It contains valuable information about how to operate and maintain your appliance properly and safely. Please read it carefully. Also, please complete and mail the Product Registration Card provided with your appliance. This card helps us notify you about any new information on your appliance.

Please record your model's information.

Whenever you call to request service on your appliance, you need to know your complete model number and serial number. You can find this information on the model and serial number label. (See Installation Instructions for model and serial number location.)

Please record the model and serial number information below. Also, record the purchase date of your appliance and the store's name, address, and telephone number.

Model Number

Serial Number

Purchase Date

Store Name

Store Address

Store Phone

Keep this book and the sales slip together
in a safe place for future reference.

Air Conditioner Safety

Your safety and the safety of others are very important.

We have provided many important safety messages in this manual and on your appliance. Always read and obey all safety messages.



This is the safety alert symbol.

This symbol alerts you to potential hazards that can kill or hurt you and others.

All safety messages will follow the safety alert symbol and either the word "DANGER" or "WARNING". These words mean:

DANGER

You can be killed or seriously injured if you don't **immediately** follow instructions.

WARNING

You can be killed or seriously injured if you don't follow instructions.

All safety messages will tell you what the potential hazard is, tell you how to reduce the chance of injury, and tell you what can happen if the instructions are not followed.

IMPORTANT SAFETY INSTRUCTIONS

WARNING — To reduce the risk of fire, electrical shock, injury, or sickness when using your air conditioner, follow these basic precautions:

- Plug into a grounded 3-prong outlet.
- Do not remove ground prong.
- Do not use an adapter.
- Do not use an extension cord.
- Unplug air conditioner before servicing.
- Use two or more people to move or install air conditioner.
- Do not drink water collected inside the cabinet.

— **SAVE THESE INSTRUCTIONS** —

Help us help you

Please:

- Install your air conditioner in a window that will hold the weight, and secure the air conditioner according to the Installation Instructions.
- Connect the air conditioner to the proper kind of outlet with the correct electrical supply and ground. (See the Installation Instructions.)
- Make sure the air conditioner is the correct size for the area you want to cool.
- Make sure curtains, drapes or furniture do not block airflow from the air conditioner.
- Use the air conditioner only to do what a window air conditioner is designed to do.
- Make sure the air conditioner is not used by anyone unable to operate it properly.
- Maintain the air conditioner properly.

Also, remove the Energy Label. Use a damp cloth to take off any glue residue. **DO NOT** use sharp instruments, flammable fluids, or abrasive cleaners. These can damage the air conditioner finish.

Operating Your Air Conditioner

Operating your air conditioner properly helps you to obtain the best possible results. This section explains proper air conditioner operation.

IMPORTANT:

- If you turn the air conditioner off, wait at least 3 minutes before turning it back on. This prevents the air conditioner from blowing a fuse or tripping a circuit breaker.
- Do not try to operate your air conditioner in the cooling mode when outside temperature is below 65°F (18°C). The inside evaporator coil will freeze up and the air conditioner will not operate properly.

Starting your air conditioner

FAN CONTROL

Set the FAN CONTROL to the desired setting. When the air conditioner is operating at LOW COOL, MED COOL (some models) or TURBO COOL, the fan circulates air continuously.

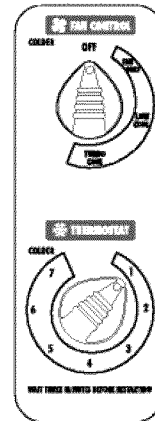
- LOW COOL** – for sleeping comfort
- MED COOL** (some models) – for normal cooling
- TURBO COOL** – for maximum cooling

FAN ONLY

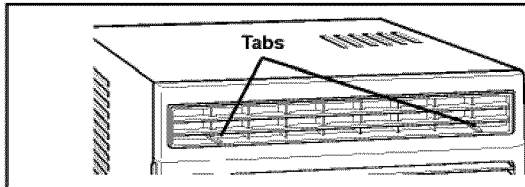
When the FAN ONLY setting is selected, the fan will run continuously to move air, but the air will not be cooled.

THERMOSTAT

Turn the THERMOSTAT Control to a mid-setting. Adjust the air conditioner's performance by turning the THERMOSTAT Control clockwise (↻) for maximum cooling. For less cooling, turn the THERMOSTAT Control counterclockwise (↺). Experiment and find the setting that suits you best.



Changing air direction



The louvers in the top of the front panel allow you to control the direction of the cooled air. Use the tabs to direct the air up, down, right, left, or straight ahead.

Saving energy

There are many things you can do to help save energy.

- Improve your home's insulation. Seal doors and windows. Close fireplace flue.
- Close blinds or drapes on the sunny side of your house. Add awnings.
- Make sure drapes or furniture do not block airflow from your air conditioner.
- Turn lights and appliances off when they are not needed.
- Ventilate your attic. High temperatures in the attic add to the air conditioner's cooling load.
- Try not to use heat-producing appliances during the hottest part of the day.
- Keep heat registers and cool-air returns closed.
- Use exhaust vent fans while cooking, doing laundry, or bathing.

Normal operating sounds

When your air conditioner is operating normally, you may hear sounds such as:

- Droplets of water hitting the condenser, causing a "pinging" or "clicking" sound. The water droplets help cool the condenser.
- Air movement from the fan.
- Clicks from the thermostat cycle.
- Vibrations or noise due to poor wall or window construction.
- A high-pitched hum or pulsating noise caused by the modern high-efficiency compressor cycling on and off.

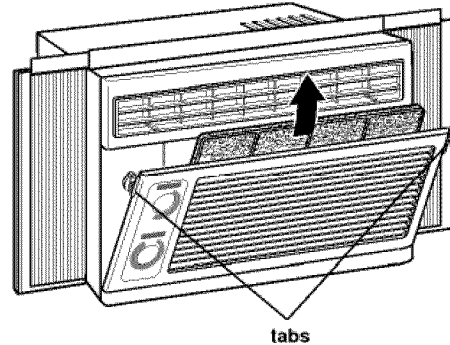
Caring for Your Air Conditioner

Your new air conditioner is designed to give you many years of dependable service. This section tells you how to clean and care for your air conditioner properly. Call your local authorized dealer for an annual checkup. Remember... the cost of this service call is your responsibility.

Cleaning the air filter

The air filter is removable for easy cleaning. A clean filter helps remove dust, lint, and other particles from the air and is important for best cooling and operating efficiency. Check the filter every 2 weeks to see if it needs cleaning. Do not operate the air conditioner without the filter in place.

1. Unplug air conditioner or disconnect power.
2. Grasp tabs on either side of filter door and pull door forward.
3. Pull out air filter from behind grille.
4. Wash air filter in warm 104°F (40°C) water. Do not wash air filter in the dishwasher or use any chemical cleaners. **Air dry filter completely before replacing to ensure maximum efficiency.**
5. Replace air filter behind filter door.
6. Close filter door.
7. Plug in air conditioner or reconnect power.



Cleaning the air conditioner

1. Unplug air conditioner or disconnect power.
2. Wipe front panel and cabinet with warm water and mild soap or detergent. Use a soft cloth.
3. Rinse control panel and dry thoroughly with a soft cloth.
4. You may use a liquid wax for appliances to polish cabinet.
5. Plug in air conditioner or reconnect power.

To ensure continued high efficiency, check condenser coils (outside of air conditioner) periodically and clean them if they are clogged with soot or dirt.

Repairing paint damage

Check once or twice a year for paint damage. This is very important, especially in areas near oceans or where rust is a problem. If needed, touch up with a good grade enamel paint.

NOTE: To reduce paint damage during the winter, install a heavy-duty cover over air conditioner cabinet. For information on ordering a heavy-duty cover, see page 8.

Troubleshooting

You can solve many common air conditioner problems easily, saving you the cost of a service call. Try the suggestions below to see if you can solve your problem without outside help.

Air conditioner will not operate.

Check if ...	Then ...
The power supply cord is unplugged.	Firmly plug the power supply cord into a live outlet with proper voltage.
A household fuse has blown or circuit breaker has tripped.	Replace the fuse or reset the circuit breaker. Make sure the air conditioner is plugged into a properly grounded outlet as described in the Installation Instructions.
The local power has failed.	Wait for power to be restored.

Air conditioner blows fuses or trips circuit breakers.

Check if ...	Then ...
Too many appliances are being used on the same circuit.	Unplug or relocate appliances that share the same circuit.
Time-delay fuse or circuit breaker of the wrong capacity is being used.	Replace with a 15-amp time-delay fuse or circuit breaker of the correct capacity. See "Electrical requirements" in the Installation Instructions for the correct capacity.
An extension cord is being used.	Do not use an extension cord with this or any other appliance.
You are trying to restart the air conditioner too soon after turning it off.	Wait at least 3 minutes after turning air conditioner off before trying to restart the air conditioner.

Air conditioner seems to run too much.

Check if ...	Then ...
The current air conditioner replaced an older model.	The use of more efficient components may cause the air conditioner to run longer than an older model, but the total energy consumption will be less. Newer air conditioners do not emit the "blast" of cold air you may be accustomed to from older units, but this IS NOT an indication of lesser cooling capacity or efficiency. Refer to the efficiency rating (EER) and capacity rating (in BTUs/hr.) marked on the air conditioner.
The air conditioner is in a heavily occupied room or heat-producing appliances are in use in the room.	Use exhaust vent fans while cooking or bathing and try not to use heat-producing appliances during the hottest part of the day. A higher capacity air conditioner may be required depending on the size of the room being cooled.

Air conditioner cycles on and off too much, or does not cool room in cooling mode.

Check if ...	Then ...
The air conditioner is not properly sized for your room.	Check the cooling capabilities of your room air conditioner. Room air conditioners are not designed to cool multiple rooms.
The filter is dirty or obstructed by debris.	Clean the filter. See page 5.
The inside evaporator and outside condenser coils are dirty or obstructed by debris.	Clean the inside evaporator and outside condenser coils. See page 5.
There is excessive heat or moisture (open container cooking, showers, etc.) in the room.	Use a fan to exhaust heat or moisture from the room. Try not to use heat-producing appliances during the hottest part of the day.
The louvers are blocked.	Install the air conditioner in a location where the louvers are free from curtains, blinds, furniture, etc.
The outside temperature is below 65°F (18°C).	Do not try to operate your air conditioner in the cooling mode when the outside temperature is below 65°F (18°C).
The temperature of the room you are trying to cool is extremely hot.	Allow extra time for the air conditioner to cool off a very hot room.
Windows or doors to the outside are open.	Close all windows and doors.
The temperature set point is not at a cool enough setting.	Adjust the temperature set point to a cooler setting. Set FAN SPEED to TURBO.
The air conditioner is installed on the sunny side of your house.	Install your air conditioner in a more shaded window.

Water drips from cabinet into your house.

Check if ...	Then ...
The air conditioner is not properly leveled. The air conditioner should slope slightly downward toward the outside.	Level the air conditioner to provide a downward slope toward the outside (1/2 bubble on a carpenter's level) to ensure proper drainage. See the Installation Instructions. Reposition or shim the cabinet as necessary. NOTE: Do NOT drill a hole in the bottom of the metal base and condensate pan.

Ordering Accessories

You can order the following accessories for your air conditioner from your local authorized dealer or by calling **1-800-253-1301** from anywhere in the U.S.A. You will hear a recording. Follow the instructions to place an order.

Replacement air filters

A good, clean air filter is important for best cooling with least energy consumption. Your air filter should be cleaned regularly. See page 5 for cleaning instructions. We suggest you replace your air filter once a year.

Installation kits

A standard installation kit is included with your air conditioner. These special installation kits are available:

- Outside Sill Bracket Kit
- Wide-Window Kit

Heavy-duty cover

If you decide to leave your air conditioner installed during the winter, a heavy-duty cover will help protect your air conditioner and reduce drafts. The cover protects against cold drafts through the unit's air passages and protects the cabinet from snow, rain, sleet, rust, and dust.

For a heavy-duty cover sized to fit your air conditioner, order part #484069.

Requesting Assistance or Service

To avoid unnecessary service calls, please check the "Troubleshooting Guide" section. It may save you the cost of a service call. If you still need help, follow the instructions below.

If you need assistance or service

Call the Customer Interaction Center telephone number. Dial toll-free 1-800-253-1301. Our consultants are available to assist you.

When calling: Please know the purchase date, and the complete model and serial number of your appliance (see the "A Note to You" section). This information will help us better respond to your request.



Our consultants provide assistance with:

- Features and specifications on our full line of appliances
- Installation information

- Use and maintenance procedures
- Accessory and repair parts sales
- Specialized customer assistance (Spanish speaking, hearing impaired, limited vision, etc.)
- Referrals to local dealers, service companies, and repair parts distributors

Our service technicians are trained to fulfill the product warranty and provide after-warranty service, anywhere in the United States.

To locate the authorized service company in your area, you can also look in your telephone directory Yellow Pages.

If you need replacement parts

If you need to order replacement parts, we recommend that you only use factory-authorized parts. These parts will fit right and work right, because they are made to the same exacting specifications used to build every new appliance.

To locate factory-authorized parts in your area, call our Customer Interaction Center telephone number, your nearest authorized service center, or Factory Service at 1-800-442-1111.

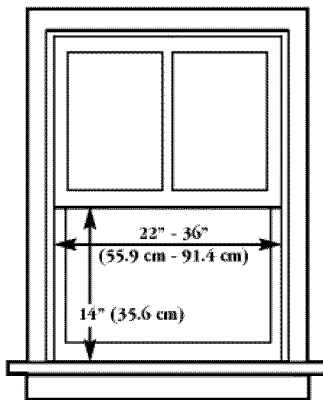
Installation Instructions

Important:

- **Installer:** Leave Installation Instructions with the homeowner.
- **Homeowner:** Keep Installation Instructions for future reference.
- **Save** Installation Instructions for local electrical inspector's use.

**Important:
Read and save these instructions.**

Location



Window opening measurements

⚠ WARNING
Excessive Weight Hazard
 Use two or more people to move and install air conditioner.
 Failure to do so can result in back or other injury.

Important: Observe all governing codes and ordinances.

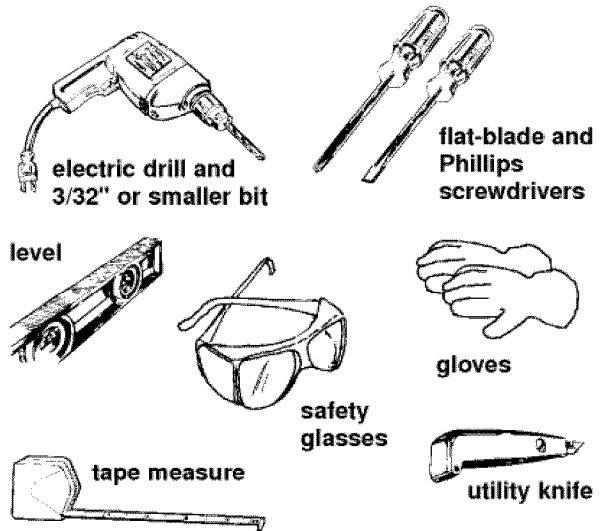
Check location where air conditioner will be installed. Proper installation is your responsibility. Make sure you have everything necessary for correct installation.

The location should provide:

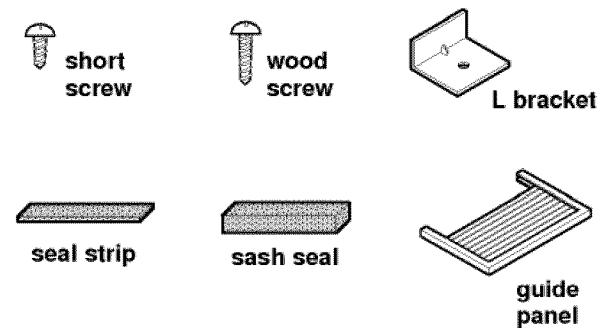
- **Grounded electrical outlet** within four feet (122 cm) of the window or through-the-wall location. Do not use an extension cord.
- **Free movement of air** to rooms to be cooled.
- **A large enough opening for the air conditioner.**
 22" (55.9 cm) minimum to 36" (91.4 cm) maximum opening width
 14" (35.6 cm) minimum opening height
- **Adequate wall support** for weight of air conditioner. Air conditioner weighs between 90 and 178 pounds (40.8 to 80.7 kg).

Do not install the air conditioner in an area where the front panel will be exposed to heat sources that will raise the panel surface temperature above 120° F (50° C).

Tools needed




Parts supplied



Electrical requirements

⚠ WARNING



Electrical Shock Hazard

Plug into a grounded 3-prong outlet.

Do not remove ground prong.

Do not use an adapter.

Do not use an extension cord.

Failure to follow these instructions can result in death, fire, or electrical shock.

In the U.S. only: If codes permit and a separate ground wire is used, it is recommended that a qualified electrician determine that the ground path is adequate.

Check with a qualified electrician if you are not sure air conditioner is grounded.

A three-wire, single-phase, 60-Hz, AC-only, electrical supply is required on a separate circuit. See model and serial label for circuit amperage required for your specific model.

A time delay fuse or circuit breaker is required. Use copper wire only.

The model and serial label is located behind the front panel on the cabinet. This label lists the BTU capacity, amperage, voltage and refrigerant charge requirements.

Recommended grounding method

For your personal safety, this air conditioner must be grounded. This air conditioner is equipped with a power supply cord with a 3-prong grounding plug. To minimize possible electrical shock hazard, the cord must be plugged into a mating 3-prong grounding-type outlet, grounded in accordance with all local codes and ordinances. If a mating 3-prong grounding-type outlet is not available, it is the consumer's responsibility to have a properly grounded, 3-prong outlet installed by a licensed installer.

It is the customer's responsibility:

- To contact a qualified electrical installer.
- To assure that the electrical installation is adequate and in conformance with National Electrical Code, ANSI/NFPA 70 — latest edition,* and all local codes and ordinances.

Copies of the standards listed may be obtained from:

* National Fire Protection Association
 Batterymarch Park
 Quincy, Massachusetts 02269.

Power supply cord and receptacle



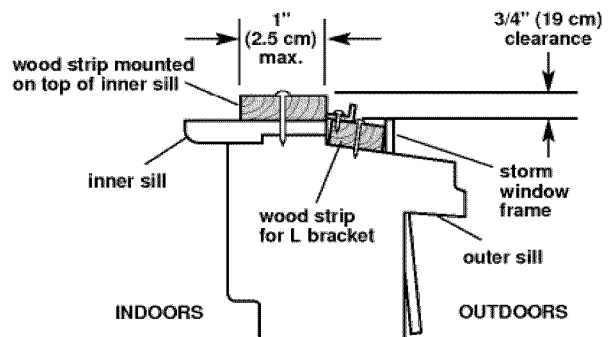
- 115 volt (103.5 min. - 126.5 max.)
- 0-12 amperes
- 15-amp time-delay fuse or circuit breaker
- 14 gauge copper wiring

Window preparation

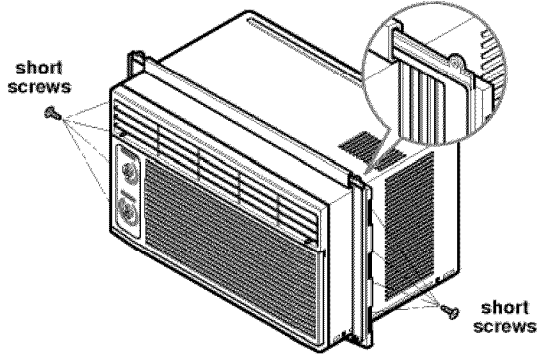
If storm window frame interferes with air conditioner, attach a 2" (5 cm) -wide wood strip to inner window sill, across full width of sill. Wood strip should be thick enough to raise height of window sill so that you can install air conditioner without interference from storm window frame, so that condensation water properly drains to the outside.

Note: If distance between storm window frame and inner sill-mounted wood strip is greater than 1 inch (2.5 cm), wood strip for outer window sill (described in right column) is not necessary.

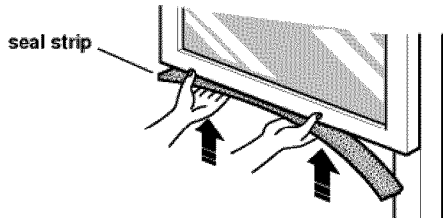
Attach a second wood strip, approximately 6" x 1-1/2" x 2" (15.2 cm x 3.8 cm x 5 cm) in center of outer window sill, flush against back of inner sill. This wood strip will raise the L brackets to hold air conditioner securely in place.



Installation

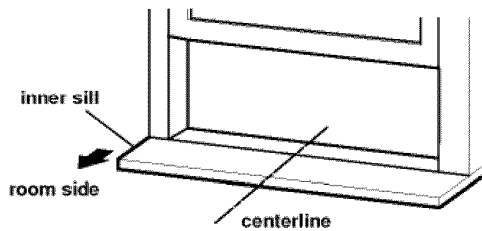


1. Insert guide panels into air conditioner guides.
2. Attach curtains to air conditioner with short screws.

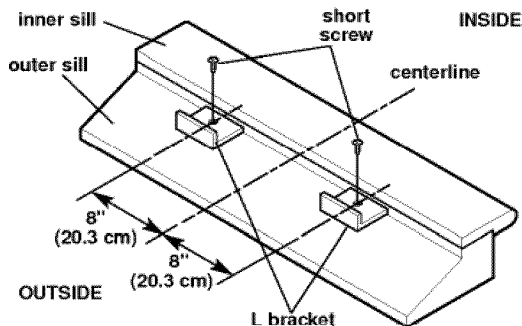


3. Cut adhesive-backed seal strip to window width. Remove backing from seal strip. Attach seal strip to bottom of window.

Note: Maintain a firm hold on air conditioner to prevent it from falling out of the opening during installation.



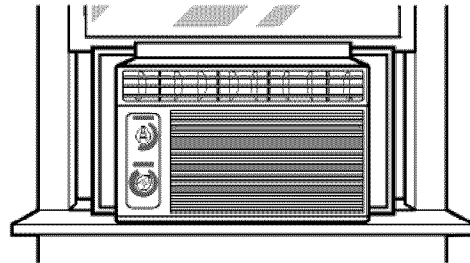
4. Open window and mark centerline of inner sill.



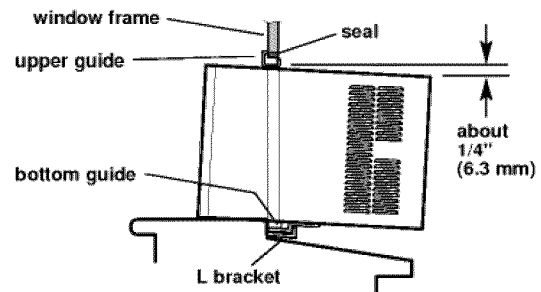
5. Attach one L bracket 8 inches (20.3 cm) from either side of centerline, flush against back of inner window sill, with short side of bracket in vertical position. Brackets will help hold air conditioner in place. Use 2 short screws.

⚠ WARNING

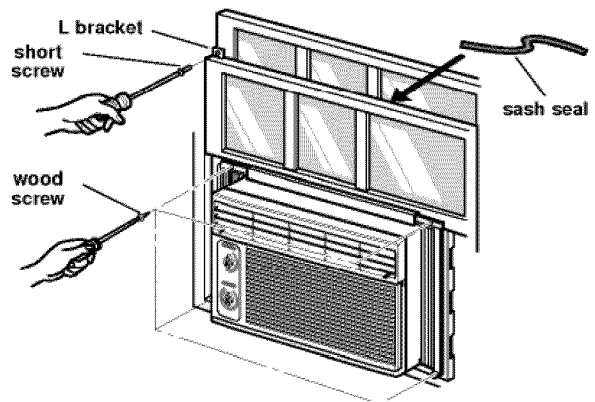
Excessive Weight Hazard
Use two or more people to move and install air conditioner.
Failure to do so can result in back or other injury.



6. Carefully lift air conditioner and slide it into open window. Make sure bottom guide of air conditioner drops into L bracket. Be sure that air conditioner is centered in window from right to left.



7. Lower window sash down behind upper guide of air conditioner. Make sure the air conditioner tilts to the back as shown.



8. Extend guide panels to fill window opening. Use 4 wood screws.

9. Insert sash seal behind top of lower window sash and against glass of upper window.

10. Fasten L bracket using a short screw.

Removing air conditioner from window

 WARNING
Excessive Weight Hazard
Use two or more people to move and install air conditioner.
Failure to do so can result in back or other injury.

1. Turn air conditioner off and disconnect power cord.
2. Remove L brackets and screws installed through top and bottom of guide panels. Save for reinstallation.
3. Close guide panels.
4. Raise window sash and carefully tilt air conditioner backward to drain any condensate water in base.
5. Lift air conditioner from window and remove sash seal from between windows.

Warranty

LENGTH OF WARRANTY	WHIRLPOOL WILL PAY FOR
FULL ONE-YEAR WARRANTY FROM DATE OF PURCHASE	Replacement parts and repair labor to correct defects in materials or workmanship. Service must be provided by a Whirlpool-designated service company.
WHIRLPOOL WILL NOT PAY FOR	
<p>A. Service calls to:</p> <ol style="list-style-type: none"> 1. Correct the installation of your air conditioner. 2. Instruct you how to use your air conditioner. 3. Replace house fuses or correct house wiring. 4. Clean or replace the air filter. <p>B. Pickup and delivery. Your air conditioner is designed to be repaired in the home.</p> <p>C. Damage to your air conditioner caused by accident, misuse, fire, flood, acts of God, or use of products not mentioned in the Use and Care Guide.</p> <p>D. The removal and reinstallation of your air conditioner if it is installed in an overhead or other inaccessible location or is not installed in accordance with published installation instructions.</p> <p>E. Repairs to parts or systems resulting from unauthorized modifications made to the appliance.</p> <p>F. Replacement parts or repair labor costs for units operated outside the United States or Canada.</p>	

WHIRLPOOL CORPORATION SHALL NOT BE LIABLE FOR INCIDENTAL OR CONSEQUENTIAL DAMAGES. Some states or provinces do not allow the exclusion or limitation of incidental or consequential damages, so this exclusion or limitation may not apply to you. This warranty gives you specific legal rights, and you may also have other rights which vary from state to state or province to province.

Outside the United States and Canada a different warranty may apply. For details, please contact your authorized dealer.

If you need service, first see the "Troubleshooting" section of the Use and Care Guide. After checking "Troubleshooting," additional help can be found by checking the "Requesting Assistance or Service" section, or by calling the Whirlpool Consumer Assistance Center telephone number, 1-800-253-1301, from anywhere in the U.S.A. For service in Canada, see "If you need assistance or service in Canada" in your Use and Care Guide for the service branch in your area.