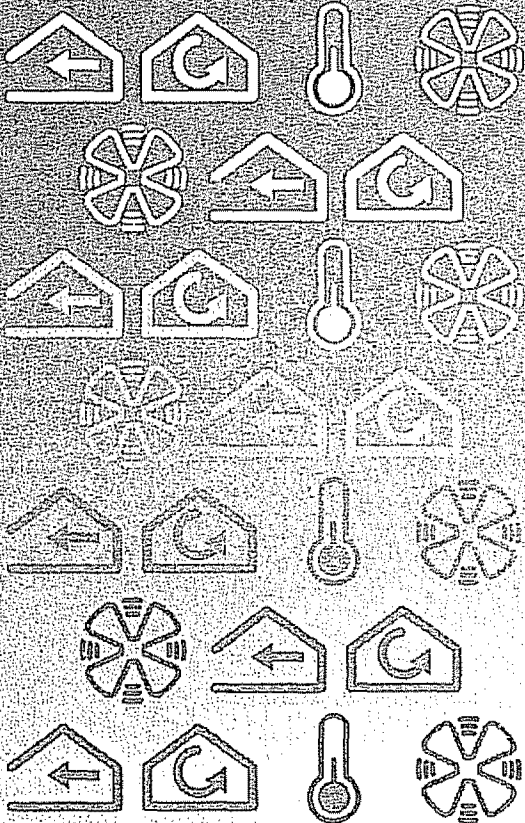


Room Air Conditioner Owner's Guide

SEARS



Kenmore Room Air Conditioner

Important Safety Instructions	2
How and Why	2
Energy Saving Ideas	3
Installation	3-4
Using the Air Conditioner	5
Air Conditioner Features	5-6
Care and Cleaning	6-7
Routine Maintenance	8
Before You Call For Service	9
Sears Service	10
Warranty	10

Read and Save These Instructions

This Use and Care Manual provides specific operating instructions for your model. Use the air conditioner only as instructed in this manual. These instructions are not meant to cover every possible condition and situation that may occur. Common sense and caution must be practiced when installing, operating, and maintaining any appliance.

Record Your Model and Serial Numbers

Record in the space provided below the model and serial numbers. The serial plate is located behind the left front louvers. Reading the numbers may be easier by using a flashlight or by removing the cabinet front as instructed under "Care and Cleaning." On compact models, it is located on the outside of the cabinet.

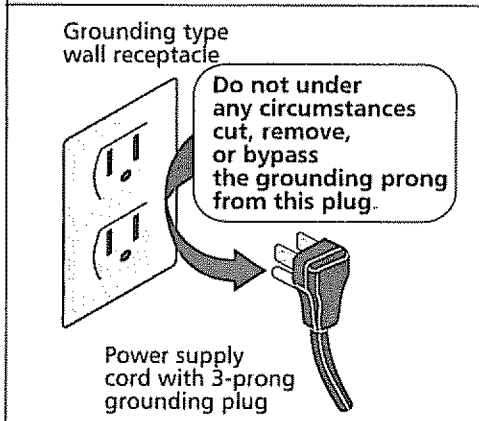
Model Number: _____

Serial Number: _____

Purchase Date: _____

Important Safety Instructions

⚠ WARNING Avoid fire hazard or electric shock. Do not use an extension cord or an adaptor plug. Do not remove any prong from the power cord.



Read all instructions before using this air conditioner.

⚠ WARNING For Your Safety

Do not store or use gasoline or other flammable vapors and liquids in the vicinity of this or any other appliance. Read product labels for flammability and other warnings.

⚠ WARNING Prevent Accidents

To reduce the risk of fire, electrical shock, or injury to persons when using your air conditioner, follow basic precautions, including the following:

- Be sure the electrical service is adequate for the model you have chosen.
- If the air conditioner is to be installed in a window, you will probably want to clean both sides of the glass first. If the window is a triple-track type with a screen panel included, you may want to remove the screen completely before installation.
- Be sure the air conditioner has been securely and correctly installed according to the separate installation instructions provided with this manual. Save this manual and installation instructions for possible future use in removing or reinstalling this unit.
- When handling the air conditioner, be careful to avoid cuts from sharp metal fins on front and rear coils.

⚠ WARNING Electrical Information

The complete electrical rating of your new room air conditioner is stated on the serial plate. Refer to the rating when checking the electrical requirements.

- Be sure the air conditioner is properly grounded. To minimize shock and fire hazards, proper grounding is important. The power cord is equipped with a three-prong grounding plug for protection against shock hazards.
- Your air conditioner **must** be used in a properly grounded wall receptacle. If the wall receptacle you intend to use is not adequately grounded or protected by a time delay fuse or circuit breaker, have a qualified electrician install the proper receptacle.
- Do not run air conditioner with outside protective cover in place. This could result in mechanical damage within the air conditioner.
- **Do not use an extension cord or an adapter plug.**

How and Why

Your room air conditioner provides the following functions to make hot weather living more comfortable:

- Cools and circulates room air
- Lowers humidity by removing excess moisture
- Filters out summertime dust, dirt, and some airborne impurities.

The air conditioner performs these functions by drawing room air through a filter which traps dust and dirt particles. The air then passes over a cooling coil which refrigerates the air and removes excess moisture. The same air is then returned to the room--cooler, drier and cleaner. Moisture removed from the room air is carried to the outside and evaporated.

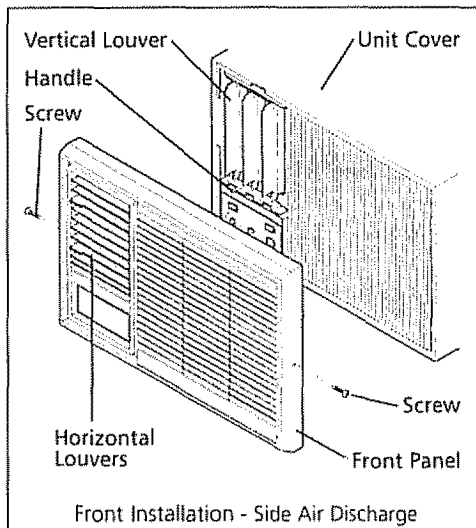
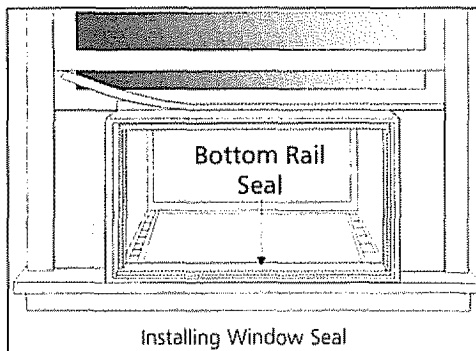
Your air conditioner is designed to be easy to operate and to provide plenty of cooling power.

Energy Saving Ideas



- The capacity of the room air conditioner must fit the room size for efficient and satisfactory operation.
- Install the room air conditioner on the shady side of your home. A window that faces north is best because it is shaded most of the day.
- Do not block air flow inside with blinds, curtains or furniture; or outside with shrubs, enclosures, or other buildings
- Close the fireplace damper, floor and wall registers so cool air does not escape up the chimney and into the duct work.
- Keep blinds and drapes in other windows closed during the sunniest part of the day.
- Clean the air filter as recommended in the section "Care and Cleaning "
- Proper insulation and weather stripping in your home will help keep warm air out and cool air in
- External house shading with trees, plants or awnings will help reduce the air conditioner's work load
- Operate heat producing appliances such as ranges, washers, dryers and dishwashers during the coolest part of the day

Installation



Side Air and Top Air Discharge Models, Including Compacts

Installing Window Seal

The removable "sleeve" or cabinet (compact models) of the air conditioner must be properly positioned for safe and efficient sealing. To install the window seal, position the bottom rail seal on the bottom rail flush with the front edge of the rail and in contact with side seals. Compact models are permanently encased in the cabinet, which is not removable. Refer to the Installation Instructions

Manual Vertical Louver Adjustment

Complete this adjustment before installing front panel

1. Adjust the vertical louvers to the straight position by using the handle
2. The control panel and knobs are packed separately. To install them, refer to **Installing the Dial Plate and Front Frame** section

Front Installation

Install the front panel with filter as follows:

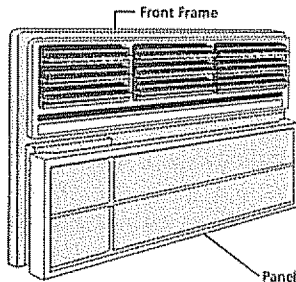
1. Adjust the horizontal louvers to the straight position. Hold the front straight until the vertical louver handle lines up between the bottom horizontal louver and the discharge opening
2. Press the front straight onto the cabinet until the holes in the flange of the plastic front line up with the screw holes in the metal cabinet. Fasten the front panel in place with the two screws provided.

Installation (continued)

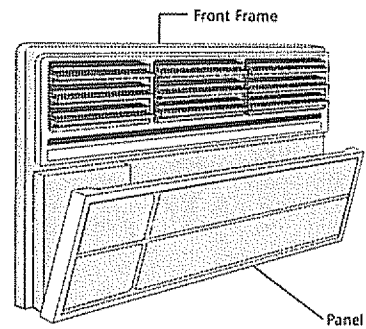
Installing Dial Plate and Front Frame

Some models require installation of the dial plate and the front panel of the air conditioner. To assemble the unit, follow these steps

STEP 1: REMOVE PANEL FROM FRONT FRAME:

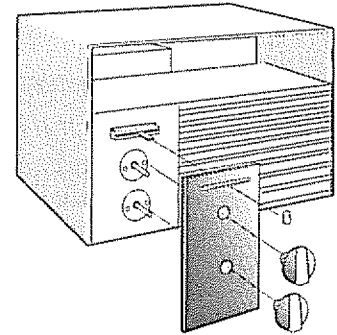


A. Pull top of panel away from front frame

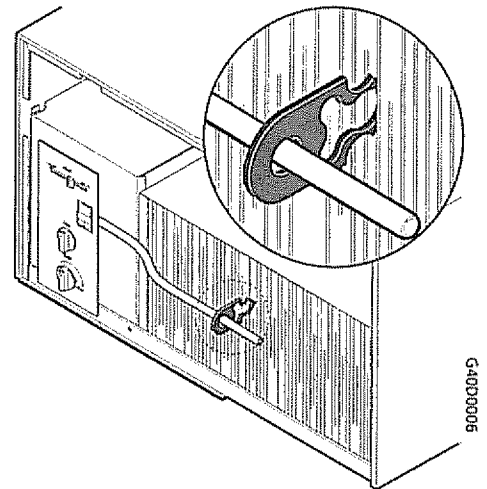


B. Pull bottom of panel straight out and away from front frame

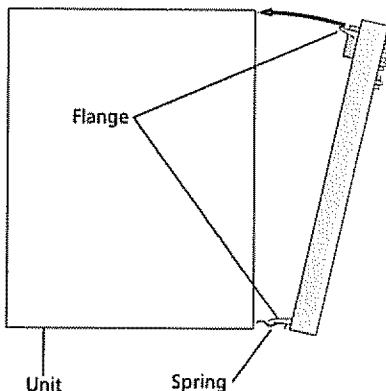
STEP 2: INSTALL DIAL PLATE AND BUTTONS OR KNOBS: If dial plate has clear protective film, peel off carefully. Do not scratch surface.



STEP 3: CONNECTING FILTER MONITOR FEATURE. On models with the Filter Monitor feature, install the dial plate as shown above, then fully extend the plastic tube and clip in the condenser coil, centered from top to bottom.

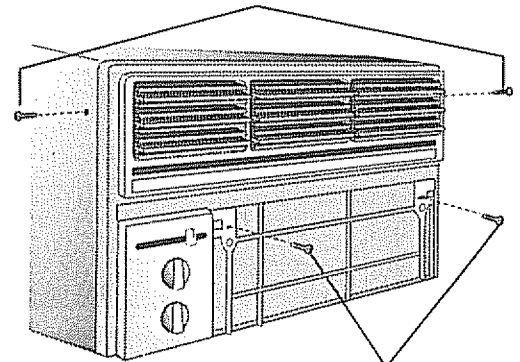


STEP 4: INSTALL FRONT FRAME TO UNIT.



A Align bottom frame flanges onto springs (some models), and press down as you push in frame flanges on the top of frame, into the unit

Depending on your model, fasten front retaining screws on both sides of unit, or fasten screws to unit through holes in frame.



If the unit has a screw in this location, remove and discard before installing front

Using the Air Conditioner

NOTE: If the air conditioner is turned off, wait 3 minutes before restarting. This allows pressure inside the compressor to equalize. Failure to follow these instructions may cause inefficient operation.

⚠️ WARNING To reduce the risk of fire, electric shock, or injury to persons, read the IMPORTANT SAFETY INSTRUCTIONS before operating this appliance.

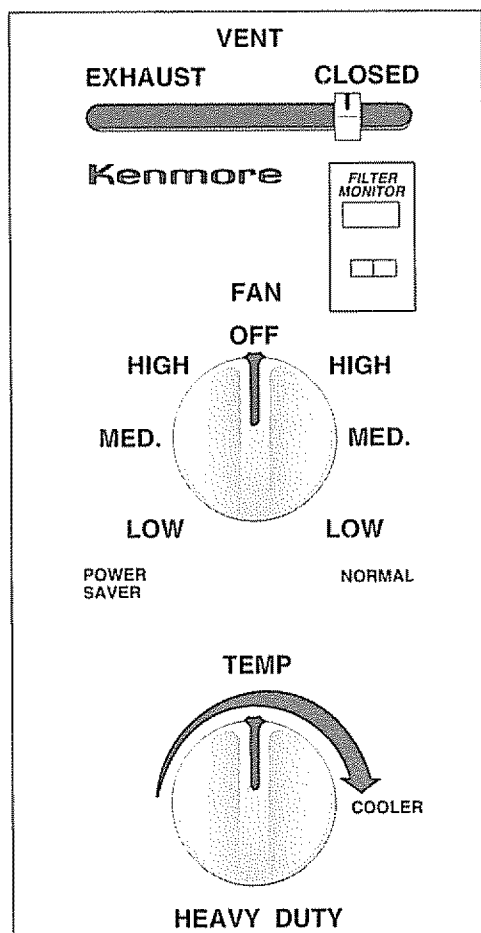
To begin operating the air conditioner, follow these steps:

- 1 Plug in the air conditioner. (To prevent electrical hazards, do not use an extension cord or an adapter plug.)
- 2 Set the exhaust vent to the CLOSED position.
- 3 Set the TEMP Control to the coolest setting.
- 4 Set the fan control at the highest level.
- 5 Adjust the louvers for comfortable air flow.
- 6 Once the room has cooled, set the fan to the POWER SAVER FAN setting and/or adjust the TEMP Control to the setting you find most comfortable.

Review the "Air Conditioner Features" section for other settings.

Air Conditioner Features

The controls featured in this manual are representational of the many models available. Your model may look slightly different.



TEMP Control

The TEMP Control serves as the thermostat to set the degree of room coolness. Turn the knob clockwise from thin rule to thick rule to increase the cooling temperature.

FILTER MONITOR (some models)

To check filter monitor:

1. Set NORMAL fan control to HIGH setting.
2. If filter needs cleaning, a RED indicator will appear in the filter monitor window. A clean filter will help reduce operating costs and increase cooling efficiency.

NORMAL Fan

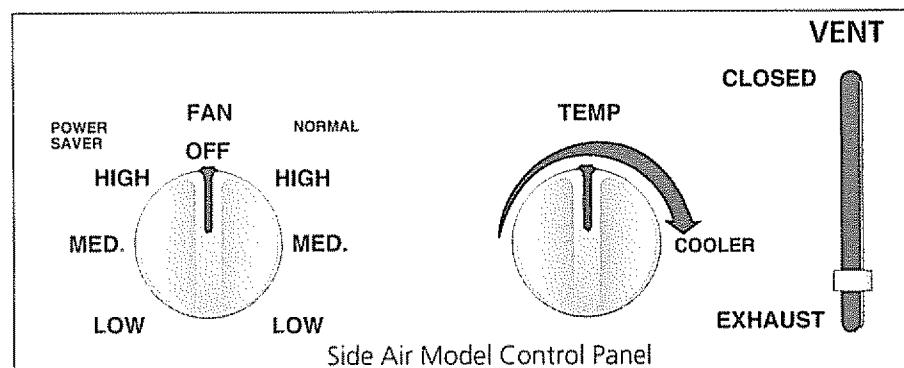
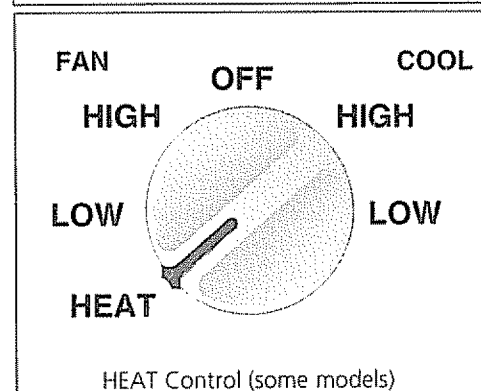
When in the NORMAL Fan setting, the air conditioner runs all the time, circulating the air. Cooling starts only if the room temperature rises above the coolness level selected on the TEMP Control, and stops once the set coolness level is reached. This setting gives the most even room temperatures.

POWER SAVER Fan (some models)

The POWER SAVER Fan can save energy. In this setting, the fan will not run unless the TEMP Control is set colder than the room temperature. When the TEMP Control is set colder than room temperature, the air conditioner will begin to circulate the air in the room. Cooling will begin in about 3 minutes. The air conditioner turns off automatically when the room reaches the level of coolness selected. HIGH is for fast cooling, MED is for normal cooling, and LOW is for quiet cooling.

HEAT (some models)

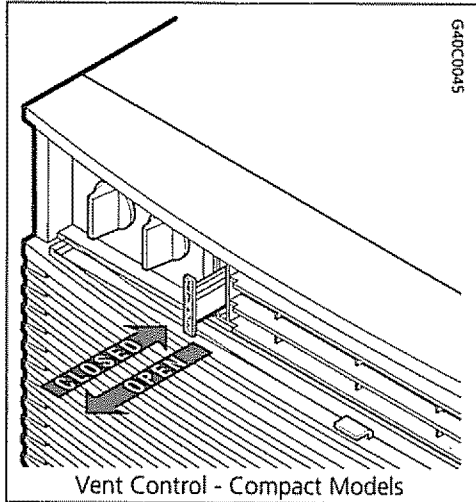
The HEAT selection provides quiet, efficient circulation of warm air. Turn the selector to the HEAT setting and set the thermostat to the warmest setting. When the HEAT



Air Conditioner Features (continued)

setting is selected, the thermostat maintains the temperature by automatically turning the heater on and off in response to room temperature. Once the room is warm, adjust the thermostat to a cooler setting. The fan runs continuously to circulate air in the room.

A slight heat odor may come from the unit when first switching to HEAT after the cooling season is over. This odor, caused by fine dust particles on the heater, will disappear quickly.



Vent Control

The Vent Control allows the air conditioner to either recirculate inside air (CLOSED) or exhaust air to the outside (OPEN).

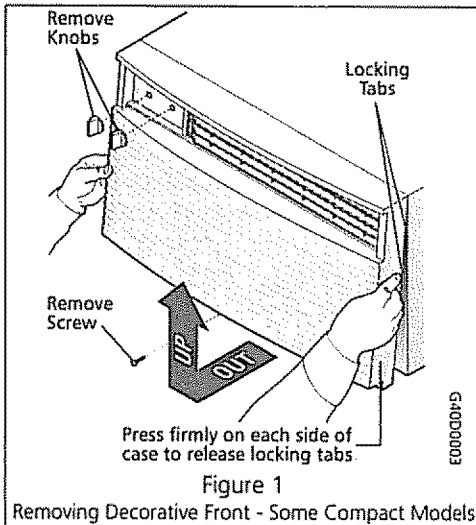
- The CLOSED position is used when maximum cooling is desired. It may also be used for air recirculation without cooling when the air conditioner is set in the FAN position.
- The OPEN position removes stale air from the room and exhausts it to the outside. Fresh air is drawn into the room through normal air passages found in homes.
- The OPEN or CLOSED position can be used with any fan selection.
- For compact models, push the slide in to CLOSE, pull out to OPEN.

Air Directional Louvers

The air directional louvers control the air flow direction. Adjust louvers up, down, left or right. The outside tabs adjust the air up or down. The center levers direct the air left or right.

Care and Cleaning

Clean your air conditioner occasionally to keep it looking new. **Be sure to unplug the unit before cleaning to prevent shock or fire hazards.**



Filter Removal, Some Compact Models.

Some compact models require the removal of the front panel to access the filter for cleaning. To remove the front panel, follow the directions below:

Note: Some compact models are equipped with a slide-out rigid filter that is described under the "Air Filter Cleaning" section. It is **not** necessary to remove the decorative front in these units.

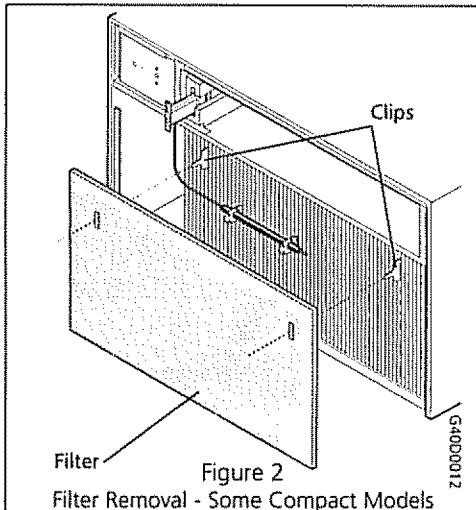
Decorative Front Removal and Filter Cleaning

1. Unplug the power cord from the wall outlet
2. Remove knobs by pulling firmly. Remove front retaining screw at the bottom of the front (Figure 1)
3. Press firmly on each side of the metal case close to the front and approximately half way down from the top of the front.
4. While pressing on the sides of the metal case, gently pull the front out and lift up to release it from the case.
5. Remove filter by pulling filter straight off of clips (Figure 2). Clean according to instructions under "Air Filter Cleaning" section

To reinstall:

Proper reinstallation of decorative front is important for both safety and performance.

1. Position filter over clips.
2. Position the top of the decorative front on the top flange of the case and align the tabs on the front with the slots in the case.
3. Carefully pull down on the front to engage the top tabs while pushing the front over the case to ensure proper alignment. The side locking tabs will "click" when the front is properly installed.
4. Install the front retaining screw at the bottom of the unit.
5. Install the knobs by aligning them with their shafts and pushing firmly into place.



Care and Cleaning

(continued)

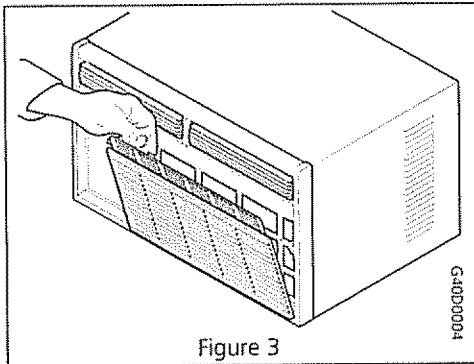


Figure 3

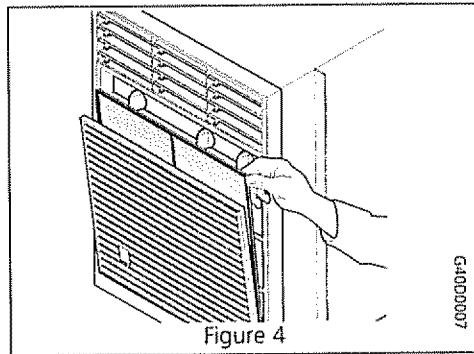


Figure 4

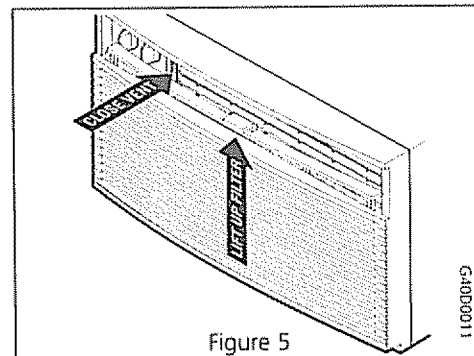


Figure 5

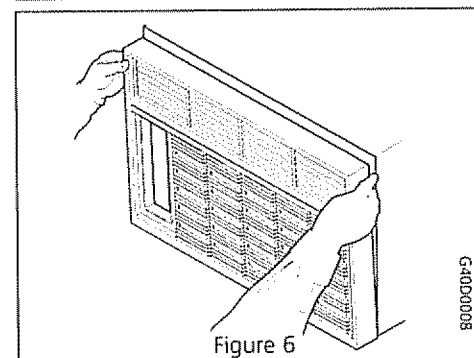


Figure 6

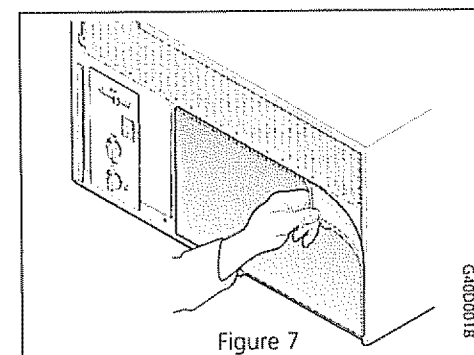


Figure 7

Air Filter Cleaning

The air filter should be checked at least once a month to see if cleaning is necessary. Trapped particles in the filter can build up and cause an accumulation of frost on the cooling coils. These conditions reduce cooling capacity. There are two types of filters -- the rigid filter and the floppy filter.

Models with rigid filters allow you to remove the filter without removing front:

- When the filter or filter tab is visible on front of unit, grasp the filter located behind the front panel and pull. Or, gently pull the top of the front panel toward you, pivoting it away from the cabinet. Pull the filter up and out by grasping the tabs on the filter frame (Figure 3)
- On slider-casement models, press down on the top of the front panel. Gently pull the top of the panel out from the cabinet. Pull the filter straight up and out (Figure 4)
- For compact models, push the vent control handle to the CLOSED position. Grab the tab and lift the filter straight up and out (Figure 5). **Note:** For compact models without the visible filter tab, see "Filter Removal, Some Compact Models" on previous page

For models with floppy filters:

- Remove the slotted screw on each side of the cabinet with a standard screwdriver. Push the front down and pull toward you to release the front from its retaining lock. Lift off the front. Pull the filter from its recess (Figures 6 and 7).
- 6-way louver models have a slide out filter. Grasp the formed handle of the filter and pull it to the left, removing it from the front panel (Figure 8).

Wash filter using a liquid dishwashing detergent and warm water. Rinse filter thoroughly. Gently shake excess water from the filter. Dry filter thoroughly before replacing.

Cabinet Cleaning

- Be sure to unplug the air conditioner to prevent shock or fire hazard. The cabinet and front may be dusted with an oil-free cloth or washed with a cloth dampened in a solution of warm water and mild liquid dishwashing detergent. Rinse thoroughly and wipe dry.
- Never use harsh cleaners, wax or polish on the cabinet front.
- Be sure to wring excess water from the cloth before wiping around the controls. Excess water in or around the controls may cause damage to the air conditioner.
- The cabinet front can be removed for more thorough cleaning. Refer to "Installation."
- Clean the front in a laundry tub using liquid dishwashing detergent and warm water. Rinse thoroughly and dry. Be careful not to disturb soft seals on the front.
- Replace the cabinet front. Replace the screws or hex nuts.
- Replace the front panel and filter.
- Plug in the air conditioner.

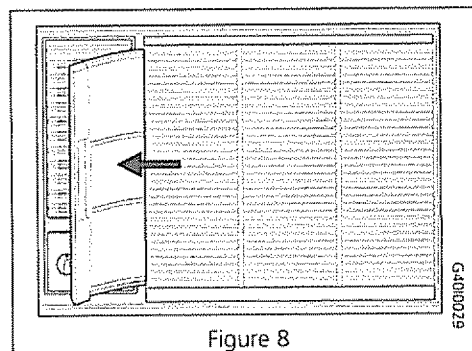


Figure 8

Routine Maintenance

Winter Storage

If you plan to store the air conditioner during the winter, remove it carefully from the window according to the installation instructions. Cover it with plastic or return it to the original carton. **NOTE: To prevent rust or electrical connections from being damaged, store air conditioner in an upright position and a dry place.** A winter cover can be purchased from your dealer. The cover will protect the air conditioner when it is left in place through the winter.

⚠ WARNING Before performing any service, unplug the power cord from the electrical outlet.

Cleaning the Cabinet Front

Remove the front panel. Wash with warm, sudsy water. Rinse and dry with a soft cloth. Never use solvents, cleaning fluids, abrasive cleaners or strong detergents. If the packaging leaves a gum residue, remove with a cloth dipped in rubbing alcohol.

Repairing Paint Damage

Inspect weather-exposed parts (cabinet shell, mounting hardware, if used, etc.) once or twice a year, especially in areas near oceans or where rust is a problem. If needed, touch up with a good grade of exterior paint.

Cleaning Inside the Air Conditioner

⚠ CAUTION No liquid should get into the motor, electrical control box, or compressor electrical terminals.

1. Remove front panel.
2. With help and using the proper lifting methods to avoid personal injury, remove the chassis from cabinet shell. * When removing the air conditioner from cabinet shell or window, there may be water inside the base that may spill on the floor. Be careful to avoid cuts from sharp metal fins on the front and rear coils.
3. Liquids should not get into electrical parts. Wrap the fan motor, electrical control box, and electrical terminals in plastic. This will keep water or other liquid from getting inside where it could damage the insulation and cause serious trouble.
4. Clean and hose out base, coils, and water pans. Clean at least once a year or more often if the coils and pans collect dirt, sand, leaves, algae, or insects.
5. After cleaning, remove plastic protection. Wait 24 hours before starting the unit again. This allows time for all areas to dry out.
Note: Water from rainfall or from normal use does not harm these components since the water is not as forcefully driven into parts as a stream of water from a garden hose.
6. While the cabinet is removed, this is a good time to oil the fan motor. (See instructions below.)

***HANDLE NOTE:** If the air conditioner has a chassis handle, it is NOT intended for lifting the unit. It is for sliding the chassis WITHIN the cabinet shell only (to aid in cleaning, maintenance, etc.)

Oiling the Fan Motor

To oil fan motor:

1. Remove front panel.
2. Slide chassis part-way out of the cabinet shell to expose fan motor oil plugs. (Be careful not to slide chassis out too far.) If the air conditioner is not equipped with a slide-out chassis, remove the cabinet.
3. Oil the fan motor per instructions on the motor. To add oil, pull out the oil plug at each end of the motor. A one-ounce capsule of oil (part number 10943) is available through your nearest Sears Service Center. Replace oil hole plugs after oiling.

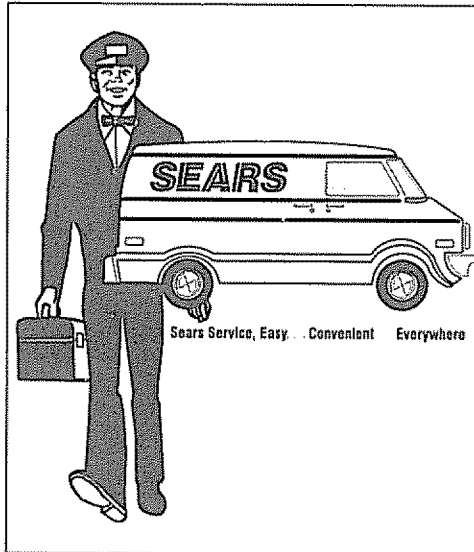
After servicing, reverse the above procedures to reinstall the air conditioner.

Before You Call for Service . . .

Before calling for service, review this list. It may save you time and expense. This list includes common occurrences that are not the result of defective workmanship or materials in this appliance.

OCCURRENCE	SOLUTION
Air conditioner will not operate.	Wall plug disconnected. Push plug firmly into wall outlet
	House fuse blown or circuit breaker tripped. Replace fuse with time delay type or reset circuit breaker
	FAN selector in OFF position. Turn FAN selector to the desired FAN setting
	Unit turned off by moving TEMP Control to a warmer setting and then immediately turning back to a colder setting. Wait approximately 3 minutes. Listen for compressor to start.
	Unit turned off and then on too quickly. Turn unit off and wait 3 minutes before restarting.
Air from unit does not feel cold enough.	TEMP Control set warmer than room temperature. Turn TEMP Control clockwise to a colder setting (thick rule)
	Turn selector to a higher FAN position
	TEMP Control set too warm (thin rule). Turn TEMP Control clockwise to a colder setting (thick rule)
	Room temperature below 70°F (21°C). Cooling may not occur until room temperature rises above 70°F (21°C)
Air conditioner cooling, but room is too warm -- ice forming on cooling coil behind decorative front.	Temperature sensing tube touching cold coil, located behind air filter. Straighten tube away from coil.
	Outdoor temperature below 70°F (21°C). To defrost the coil, set selector to FAN position. Then, turn TEMP Control clockwise to a warmer setting (thin rule)
	Air filter may be dirty. Clean filter. Refer to Care and Cleaning section. To defrost, set selector to FAN
Air conditioner cooling, but room is too warm -- NO ice forming on cooling coil behind decorative front.	TEMP CONTROL set too cold for night-time cooling. To defrost the coil, set selector to a FAN position. Then, set TEMP CONTROL to a warmer position.
	Dirty air filter--air restricted. Clean air filter. Refer to Care and Cleaning section
	TEMP Control set too warm. Turn TEMP Control clockwise to a colder setting (thick rule).
	Vent set at OPEN position. Set vent at CLOSED position for maximum cooling
	Air directional louvres positioned improperly. Position louvres for better air distribution.
	Front of unit is blocked by drapes, blinds, furniture, etc -- restricts air distribution. Clear blockage in front of unit
	Doors, windows, registers, etc open --cold air escapes. Close doors, windows, registers, etc
	Unit recently turned on in hot room. Allow additional time to remove "stored heat" from walls, ceiling, floor and furniture
Dirty air filter-- air restricted. Clean air filter	
Air conditioner turns on and off rapidly	Outside temperature extremely hot. Set FAN on high speed to bring air past cooling coils more frequently
Noise when unit is cooling.	Air movement sound. This is normal. If too loud, turn selector to lower FAN setting
	Sound of fan hitting water-moisture removal system. This is normal when humidity is high. Close doors, windows and registers
	Window vibration--poor installation. Refer to installation instructions or check with installer
Water dripping INSIDE when unit is cooling.	Improper installation. Tilt air conditioner slightly to the outside to allow water drainage. Refer to installation instructions--check with installer
Water dripping OUTSIDE when unit is cooling.	Unit removing large quantity of moisture from humid room. This is normal during excessively humid days

Sears Service



"We Service What We Sell" is our assurance you can depend on Sears for service...and Sears service is nationwide. Your air conditioner has added value when you consider that Sears has service units nationwide, staffed with professional technicians specifically trained on Sears appliances and having parts, tools and equipment to insure that we meet our pledge to you. "We Service What We Sell."

Sears Maintenance Agreement

Maintain the value of your Kenmore® air conditioner with a Sears Maintenance Agreement. Sears air conditioners are designed, manufactured, and tested for years of dependable operation. Yet, any modern appliance may require service from time to time.

The Sears Maintenance Agreement

- Is your way to buy tomorrow's service at today's price
- Eliminates repair bills resulting from normal use
- Allows for as many service calls as required.
- Provides for service by professional Sears-trained technicians
- Offers an annual preventive maintenance check-up at your request.

This maintenance agreement does not cover original installation, reinstallation, or damage resulting from external causes such as acts of God, abuse, theft, fire, flood, wind, lightning, freezing, power failure, power reduction, etc. Please ask a salesperson to see the agreement for all of the terms and conditions.

Warranty

Full One-Year Warranty on Air Conditioner

For one year from date of purchase, when this air conditioner is operated and maintained for normal room cooling according to instructions in this owner's manual, Sears will repair this air conditioner, free of charge, if defective in material or workmanship.

Full Five-Year Warranty on Sealed Refrigeration System

For five years from the date of purchase, when this air conditioner is operated and maintained for normal room cooling according to instructions in this owner's manual, Sears will repair the sealed refrigeration system (consisting of refrigerant, connecting tubing, and compressor), free of charge, if defective in material or workmanship.

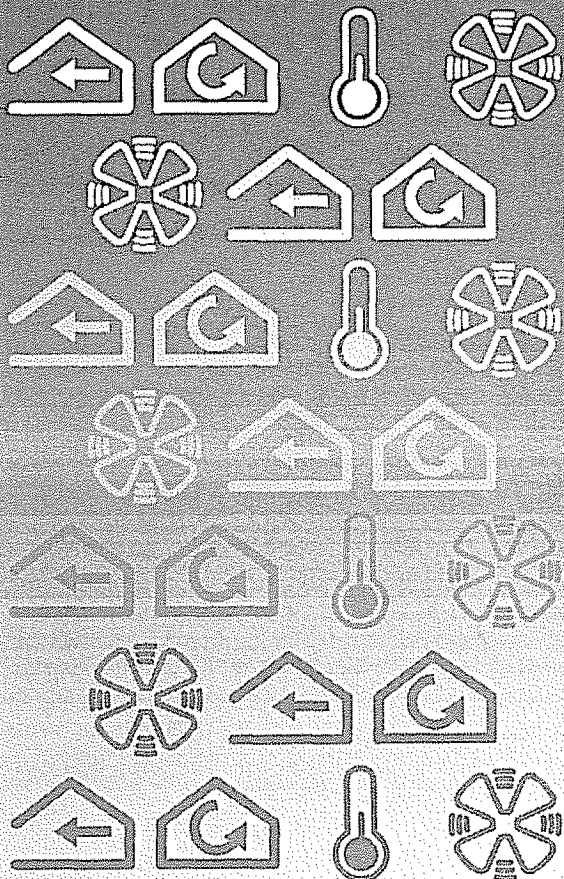
This warranty gives you specific legal rights, and you may have other rights which vary from state to state.

Warranty service is available by contacting the NEAREST SEARS SERVICE CENTER/ DEPARTMENT in the United States or call 1-800-4-REPAIR
For parts, call 1-800-FON-PART.

**SEARS, ROEBUCK and CO.
3333 Beverly Road
Hoffman Estates, IL 60719**

Acondicionador de Aire

SEARS



Kenmore Manual del Usuario

Instrucciones Importantes de Seguridad	2
Funciones del Acondicionador de Aire	2
Sugerencias para Ahorro de Energía	3
Instalación	3-4
Uso del Acondicionador de Aire	5
Características del Acondicionador de Aire	5-6
Cuidado y Limpieza	6-7
Mantenimiento de Rutina	8
En Caso de Necesitar Servicio	9
Servicio Sears	10
Garantía	10

Lea y Conserve Estas Instrucciones

Este Manual del Usuario le proporciona instrucciones específicas para su modelo. Use el acondicionador de aire solamente como se indica en este manual. Estas instrucciones no pueden cubrir todas las situaciones o condiciones posibles que puedan presentarse. Por lo tanto, se deben seguir prácticas seguras y tener cuidado cuando se instala, se hace funcionar y se ejecuta mantenimiento en cualquier artefacto.

Anote su Número de Modelo y Número de Serie

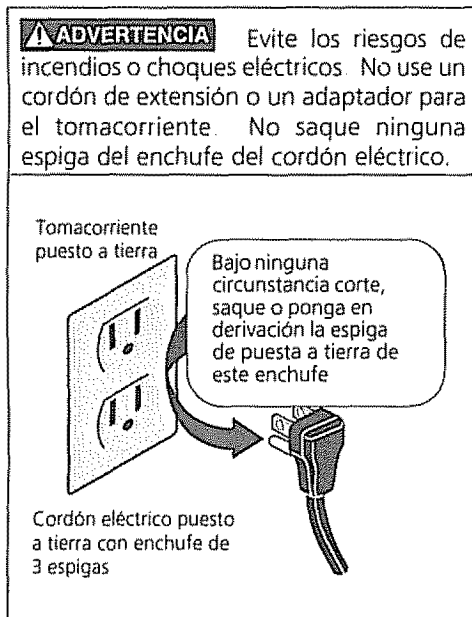
Anote en el espacio provisto el número de modelo y el número de serie. La placa del número de serie está situada detrás de las persianas delanteras del lado izquierdo. Pueda que sea más fácil leer los números usando una linterna o sacando el panel delantero del gabinete como se indica en la sección "Cuidado y Limpieza." En los modelos compactos, está ubicado en el exterior del gabinete.

Número de Modelo: _____

Número de Serie: _____

Fecha de Compra: _____

Instrucciones Importantes de Seguridad



Lea todas las instrucciones antes de usar este acondicionador de aire.

⚠ ADVERTENCIA Para Mayor Seguridad

No almacene o use gasolina u otros líquidos o vapores inflamables en la proximidad de este o cualquier otro artefacto. Lea las etiquetas de los productos para informarse sobre la inflamabilidad y otras advertencias.

⚠ ADVERTENCIA Prevención de Accidentes

Para reducir el riesgo de incendio, choque eléctrico o lesiones personales cuando use su acondicionador de aire, siga las precauciones básicas, incluyendo las siguientes:

- Asegúrese de que la alimentación eléctrica es la adecuada para el modelo que usted ha seleccionado
- Si el acondicionador de aire va a ser instalado en una ventana, se recomienda limpiar ambos lados del vidrio de la ventana primero. Si la ventana es del tipo de corredera triple con un panel de rejilla, usted debe sacar la rejilla antes de la instalación.
- Asegúrese de que el acondicionador de aire ha sido firme y correctamente instalado de acuerdo con las instrucciones de instalación provistas en este manual. Conserve este manual para posible uso futuro en caso de que lo saque o lo vuelva a instalar
- Cuando manipule el acondicionador de aire tenga cuidado a fin de evitar las cortaduras que pueden causar las aletas de metal afiladas situadas en los serpentines delanteros y traseros

⚠ ADVERTENCIA Información Eléctrica

La información eléctrica completa de su nuevo acondicionador de aire está indicada en la placa del número de serie. Consulte la capacidad de funcionamiento cuando verifique los requerimientos eléctricos.

- Asegúrese de que el acondicionador de aire esté debidamente puesto a tierra. Para reducir los riesgos de choques eléctricos e incendios es importante la puesta a tierra correcta. El cordón eléctrico está equipado con un enchufe de puesta a tierra de tres espigas para protección contra riesgos de choques eléctricos.
- Su acondicionador de aire **debe** ser enchufado en un tomacorriente debidamente puesto a tierra. Si el tomacorriente que usted intenta usar no está puesto a tierra o protegido de manera adecuada por un fusible de retardo o un disyuntor, pida a un electricista calificado que instale el tomacorriente adecuado
- No haga funcionar el acondicionador de aire si la cubierta protectora exterior está colocada. Esto puede resultar en daño mecánico dentro del acondicionador de aire
- **No use un cordón de extensión o un adaptador para el tomacorriente.**

Funciones del Acondicionador de Aire

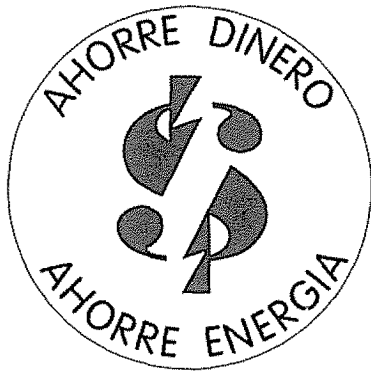
Su acondicionador de aire realiza las siguientes funciones para hacer más agradable su medio ambiente cuando el tiempo está caluroso:

- Enfria y circula el aire de la habitación
- Reduce la humedad al extraer el exceso de humedad
- En el verano filtra el polvo, la suciedad y algunas impurezas contenidas en el aire

El acondicionador de aire realiza estas funciones extrayendo el aire de la habitación a través de un filtro que atrapa el polvo y las partículas de suciedad. El aire luego pasa a través de un serpentín de enfriamiento que refrigera el aire y extrae el exceso de humedad. El mismo aire es luego retornado a la habitación--más frío, más seco y más limpio. La humedad extraída del aire de la habitación es sacada al exterior y evaporada.

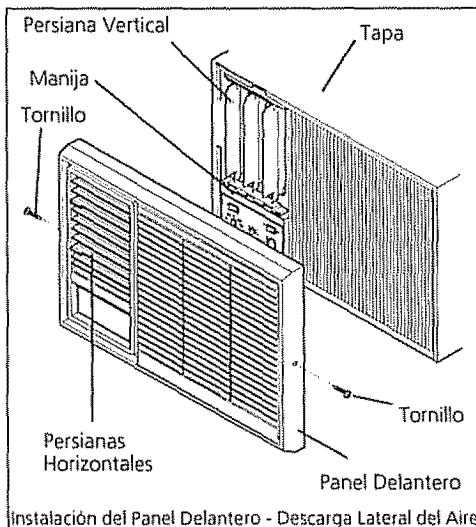
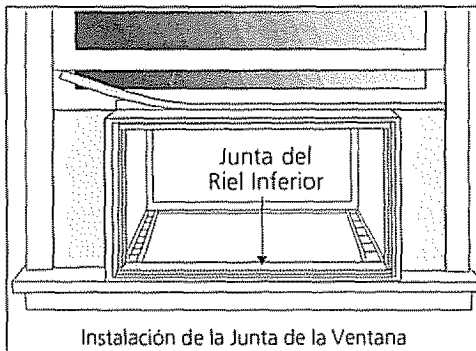
Su acondicionador de aire ha sido diseñado para facilitar su funcionamiento y proveer un excelente enfriamiento.

Sugerencias Para Ahorro de Energía



- La capacidad del acondicionador de aire debe corresponder al tamaño de la habitación para un funcionamiento eficaz y satisfactorio.
- Instale el acondicionador de aire en el lado sombreado de su casa. Una ventana que esté dirigida al norte es lo mejor pues está a la sombra la mayor parte del día.
- No bloquee el flujo de aire con persianas, cortinas o muebles; o en el exterior con arbustos, cercas u otros edificios.
- Cierre el registro de la chimenea, los registros del piso y murales de modo que el aire frío no escape a través de la chimenea ni hacia el interior de los ductos.
- Mantenga las cortinas y persianas en otras ventanas cerradas durante la hora de más sol del día.
- Limpie el filtro del aire como se recomienda en la sección "Cuidado y Limpieza".
- El aislamiento apropiado de su hogar le ayudará a mantener el aire caliente afuera y a conservar el aire seco en el interior.
- La sombra provista en el exterior de la casa por árboles, plantas o aleros ayudará a reducir la carga de trabajo del acondicionador de aire.
- Utilice los artefactos que producen calor tales como estufas, lavadoras, secadoras y lavadoras de platos durante la parte más fresca del día.

Instalación



Modelos con Descarga de Aire Lateral y Superior, Incluyendo Modelos Compactos

Instalación de la Junta de la Ventana

El "manguito" o gabinete (modelos compactos) removible del acondicionador de aire debe ser colocado debidamente para un sellado seguro y eficiente. Para instalar la junta de la ventana, coloque la junta del riel inferior en el riel inferior al ras con el borde delantero del riel y en contacto con las juntas laterales. Los modelos compactos están permanentemente instalados en el gabinete, el cual no es removible. Consulte las instrucciones de instalación.

Ajuste Manual de las Persianas Verticales

Realice este ajuste antes de instalar el panel delantero.

1. Ajuste las persianas verticales en la posición derecha usando la manija.
2. El panel de control y los botones están empacados separadamente. Para instalarlos consulte la sección **Instalación del Cuadrante Graduado y del Panel Delantero**.

Instalación del Panel Delantero

Instale el panel delantero con el filtro de la siguiente manera:

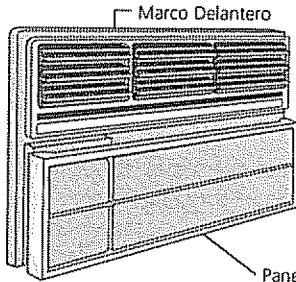
1. Ajuste las persianas horizontales a la posición derecha. Sostenga el panel delantero derecho hasta que la manija de la persiana vertical se alinee entre la persiana horizontal inferior y la abertura de la descarga.
2. Empuje el panel delantero derecho hacia el gabinete hasta que los agujeros de la brida del panel delantero de plástico queden alineados con los agujeros de los tornillos en el gabinete metálico. Sujete el panel delantero en su lugar con los dos tornillos provistos.

Instalación (continuación)

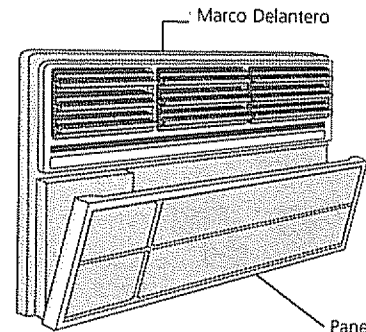
Instalación del Cuadrante Graduado y del Panel Delantero

Algunos modelos requieren instalación del cuadrante graduado y del panel delantero del acondicionador de aire. Para hacer ésto, siga los siguientes pasos.

PASO 1: SAQUE EL PANEL DEL MARCO DELANTERO.



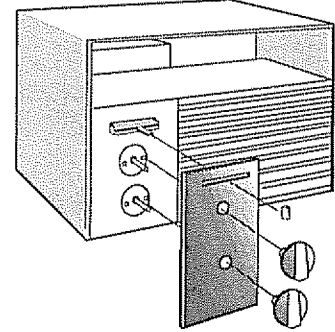
A. Tire la parte superior del panel hacia afuera del marco delantero.



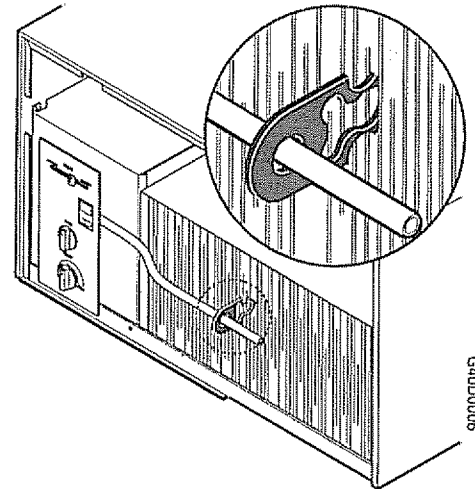
B. Tire la parte inferior del panel derecho hacia afuera para sacarlo del marco delantero.

PASO 2: INSTALE EL CUADRANTE GRADUADO Y LOS BOTONES O PERILLAS.

Si el cuadrante tiene una película transparente protectora, despéguela cuidadosamente. No raye la superficie.

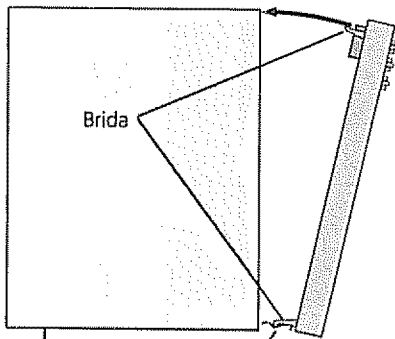


PASO 3: CONECTE EL MONITOR DEL FILTRO. En los modelos que tienen el Monitor del Filtro, instale el cuadrante graduado como se indicó anteriormente, luego extienda completamente el tubo de plástico y sujete el serpentín del condensador, centrándolo entre la parte superior e inferior.

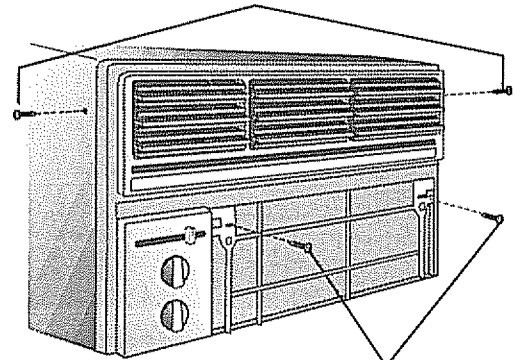


PASO 4: INSTALE EL MARCO DELANTERO AL ACONDICIONADOR DE AIRE.

Dependiendo de su modelo, sujete el panel delantero con los tornillos de sujeción en ambos lados o coloque los tornillos a través de los agujeros del marco



A. Alinee las bridas inferiores del marco en los resortes (algunos modelos) y empuje hacia abajo a la vez que oprime las bridas superiores del marco hacia el acondicionador de aire



Si el acondicionador de aire tiene un tornillo en este lugar, sáquelo y descártelo antes de instalar el panel delantero

Uso del Acondicionador de Aire

ADVERTENCIA Para reducir el riesgo de incendio, choque eléctrico o lesiones personales, lea estas INSTRUCCIONES DE SEGURIDAD IMPORTANTES antes de poner en funcionamiento este artefacto

NOTA: Si apaga el acondicionador de aire, espere 3 minutos antes de ponerlo en marcha nuevamente. Esto permite estabilizar la presión dentro del compresor. El incumplimiento de estas instrucciones puede causar funcionamiento ineficaz.

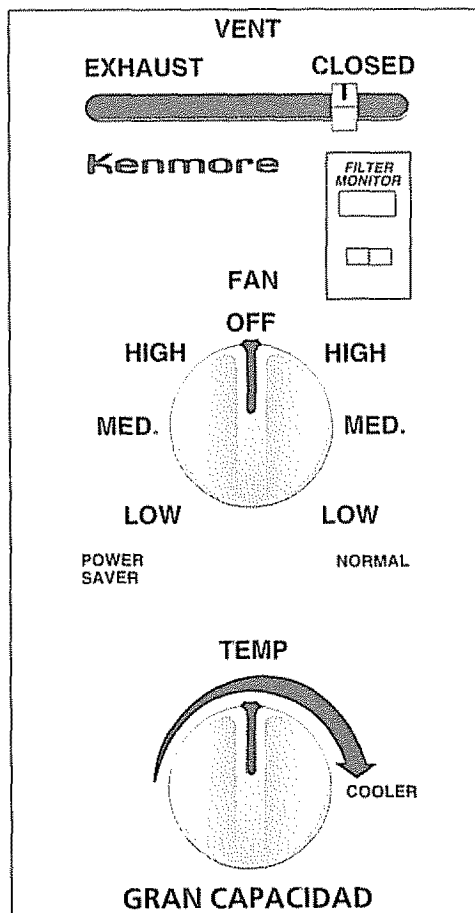
Para poner en funcionamiento el acondicionador de aire, siga estos pasos:

1. Enchufe el acondicionador de aire (Para evitar riesgos eléctricos, no use un cordón de extensión ni un adaptador)
2. Coloque el registro de evacuación en la posición CERRADA
3. Coloque el control de la TEMPERATURA en el ajuste más frío
4. Coloque el control del ventilador en el nivel más alto
5. Ajuste las persianas para un flujo de aire agradable
6. Una vez que la habitación se haya enfriado, coloque el ventilador en la posición POWER SAVER FAN y/o regule el termostato al ajuste que encuentre más cómodo

Consulte la sección "Características del Acondicionador de Aire" para otros ajustes

Características del Acondicionador de Aire

Los controles indicados en este manual representan algunos de los muchos modelos disponibles. Su modelo puede ser ligeramente diferente.



TEMP Control (Control de la Temperatura)

El TEMP Control actúa como el termostato para establecer el grado de enfriamiento de la habitación. Gire el botón a la derecha desde la escala delgada hasta la gruesa para aumentar la temperatura de enfriamiento.

MONITOR DEL FILTRO (algunos modelos)

Para verificar el monitor del filtro:

1. Coloque el control del ventilador NORMAL en la posición HIGH (Alto).
2. Si el filtro necesita limpieza, el indicador ROJO aparecerá en la ventana del monitor del filtro. Un filtro limpio ayudará a reducir los costos de funcionamiento y aumentará la eficiencia del enfriamiento.

NORMAL Fan (Ventilador Normal)

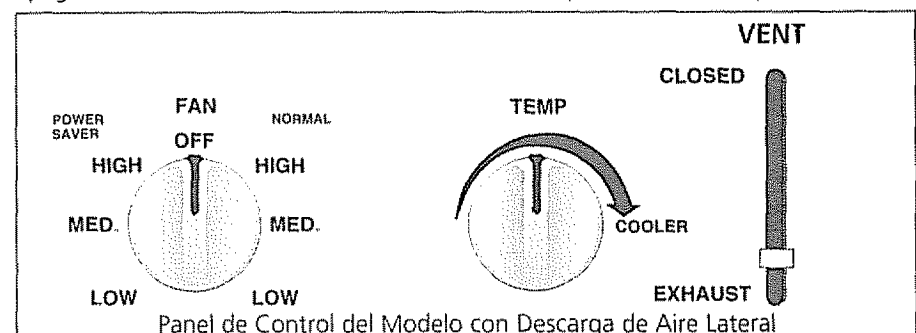
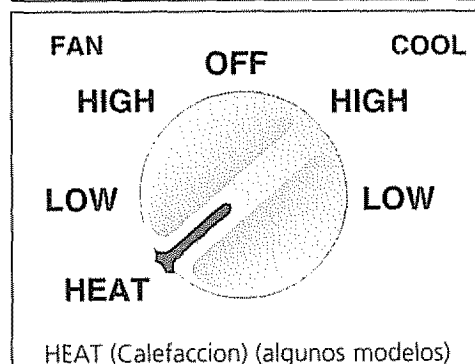
Cuando el acondicionador de aire está en la posición NORMAL Fan, esto significa que está en funcionamiento continuo, haciendo circular el aire. El enfriamiento comienza solamente si la temperatura de la habitación se eleva más allá del nivel de enfriamiento seleccionado en el TEMP Control y se detiene una vez que el nivel de enfriamiento establecido ha sido alcanzado. Esta posición proporciona las temperaturas ambientales más uniformes.

POWER SAVER Fan (algunos modelos)

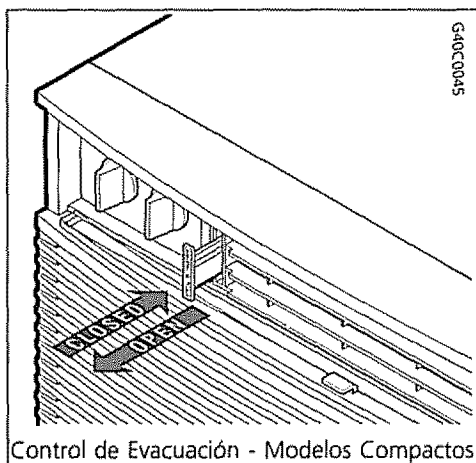
El POWER SAVER Fan puede ahorrar energía. En esta posición, el acondicionador de aire solamente funciona cuando el TEMP Control es ajustado a una temperatura más fría que la temperatura de la habitación. Cuando el TEMP Control está a una temperatura más fría que la temperatura de la habitación, el acondicionador de aire comenzará a circular el aire en la habitación. El enfriamiento comenzará en aproximadamente 3 minutos. El acondicionador de aire se apaga automáticamente cuando la habitación alcanza el nivel de enfriamiento seleccionado. HIGH (Alto) es para enfriamiento rápido, MED para enfriamiento normal y LOW (Bajo) es para enfriamiento bajo.

HEAT (CALEFACCION) (algunos modelos)

La posición HEAT provee la circulación silenciosa y eficiente de aire caliente. Gire el selector a la posición HEAT y coloque el termostato en el ajuste más caliente. Cuando se selecciona la posición HEAT, el termostato mantiene la temperatura encendiendo y apagando el calefactor automáticamente en respuesta a la temperatura de la



Características del Acondicionador de Aire (continuación)



habitación. Una vez que la habitación está calefaccionada, ajuste el termostato a una posición más fría. El ventilador funciona continuamente para hacer circular el aire de la habitación.

Puede que salga un olor cuando el acondicionador es colocado por primera vez en la posición HEAT después que ha pasado la temporada de enfriamiento. Este olor, causado por las partículas finas de polvo en el calefactor, desaparecerá rápidamente.

Control de Evacuación

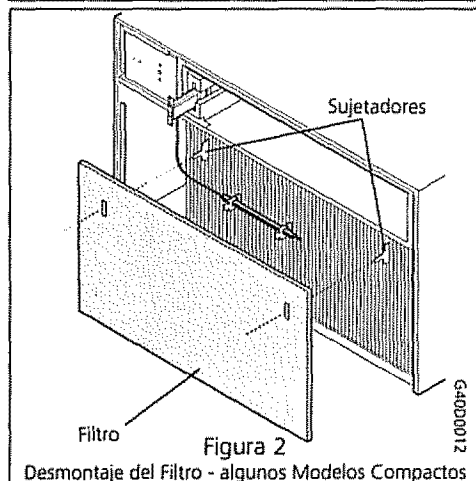
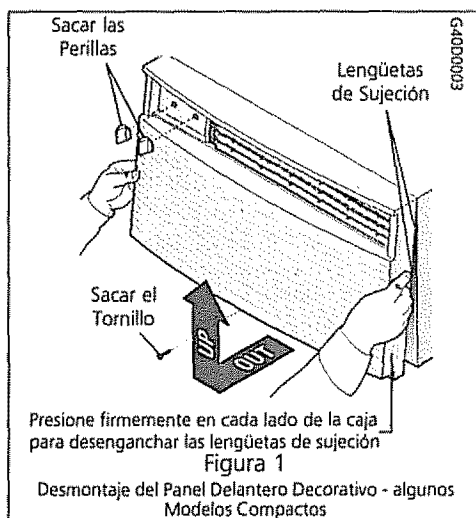
El Control de Evacuación (Vent Control) permite que el acondicionador de aire ya sea recircule el aire interno (CERRADO) o haga salir el aire al exterior (ABIERTO).

- La posición CLOSED (CERRADO) se usa cuando se desea enfriamiento máximo. Puede también ser usada para recircular el aire, sin enfriamiento cuando el acondicionador de aire está ajustado a la posición FAN (VENTILADOR).
- La posición OPEN (ABIERTO) extrae el aire viciado de la habitación y lo expulsa hacia el exterior. El aire fresco es aspirado hacia la habitación a través de los pasajes normales del aire que se encuentran en los hogares.
- La posición OPEN o CLOSED (ABIERTO o CERRADO) puede ser usada con cualquier selección del ventilador.
- Para los modelos compactos, empuje la corredera hacia adentro para CERRADO y tírela hacia afuera para ABIERTO.

Persianas Direccionales del Aire

La dirección del aire puede ser ajustada hacia arriba, hacia abajo, a la izquierda o a la derecha. Las lengüetas exteriores ajustan el aire hacia arriba o hacia abajo. Las palancas centrales dirigen el aire hacia la izquierda o a la derecha.

Cuidado y Limpieza



Limpie su acondicionador de aire periódicamente para mantener su buena apariencia. **Asegúrese de desenchufar el acondicionador de aire antes de limpiarlo para evitar los riesgos de choque eléctrico o incendio.**

Desmontaje del Filtro, Algunos Modelos Compactos.

En algunos modelos compactos es necesario desmontar el panel delantero para tener acceso al filtro para su limpieza. Para sacar el panel delantero, siga las instrucciones indicadas a continuación:

Nota: Algunos modelos compactos están equipados con un filtro rígido deslizable que se describe en la sección "Limpieza del Filtro de Aire". **No** es necesario sacar el panel decorativo delantero en estas unidades.

Desmontaje del Panel Decorativo Delantero y Limpieza del Filtro

1. Desenchufe el cordón del tomacorriente.
2. Saque las perillas tirándolas firmemente. Saque el tornillo que sujeta el panel delantero situado en la parte inferior del panel delantero (Figura 1).
3. Empuje firmemente en cada lado de la caja de metal cerca del panel delantero y aproximadamente en la mitad del panel delantero.
4. A la vez que presiona los lados de la caja de metal, tire suavemente el panel delantero hacia afuera y levántelo para desengancharlo de la caja.
5. Saque el filtro tirándolo fuera de los sujetadores (Figura 2). Limpie de acuerdo a las instrucciones en la sección "Limpieza del Filtro de Aire".

Para volver a instalar

Es importante la reinstalación correcta del panel delantero tanto por razones de seguridad como de rendimiento.

1. Coloque el filtro en los sujetadores.
2. Coloque la parte superior del panel decorativo en la brida superior de la caja y alinee las lengüetas en el panel delantero con las lengüetas de la caja.
3. Cuidadosamente tire hacia abajo el panel delantero para enganchar las lengüetas superiores a la vez que lo empuja sobre la caja para asegurar un alineamiento adecuado. Las lengüetas de sujeción laterales emitirán un "chasquido" cuando el panel delantero esté debidamente instalado.
4. Instale el tornillo de sujeción del panel delantero en la parte inferior del acondicionador de aire.
5. Instale las perillas alineándolas con sus ejes y empujando firmemente hacia su posición.

Cuidado y Limpieza (continuación)

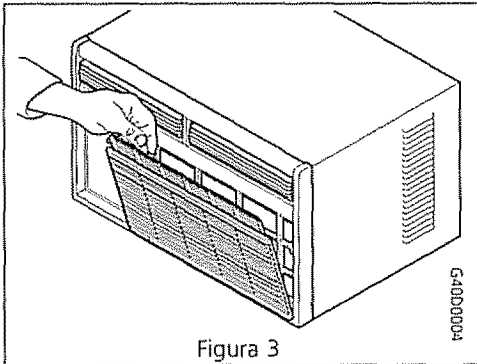


Figura 3

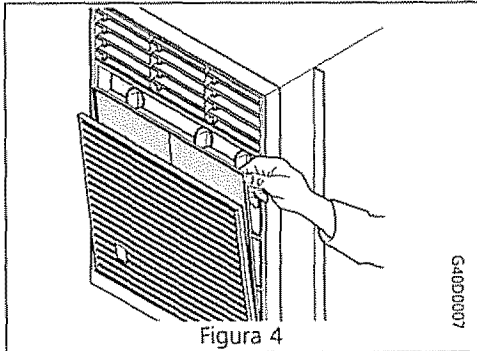


Figura 4

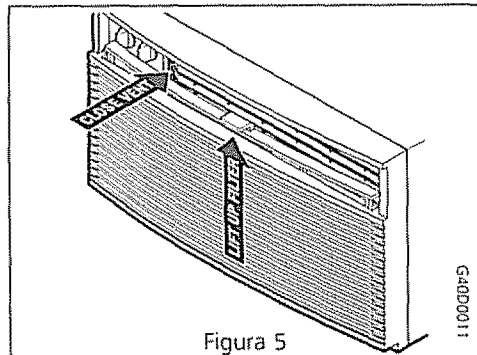


Figura 5

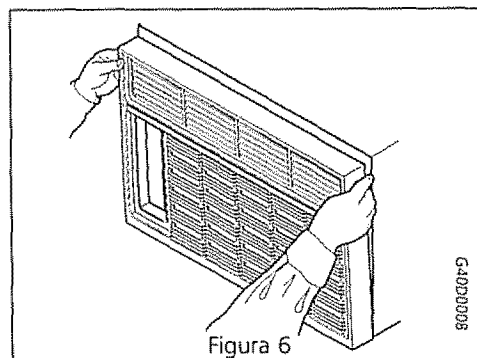


Figura 6

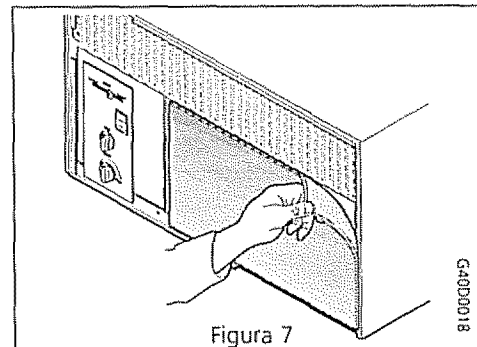


Figura 7

Limpieza del Filtro del Aire

El filtro del aire debe ser revisado por lo menos una vez al mes para ver si es necesario limpiarlo. Las partículas atrapadas en el filtro pueden acumularse y causar acumulación de escarcha en los serpentines de enfriamiento. Estas condiciones reducen la capacidad de enfriamiento. Hay dos tipos de filtro--el filtro rígido y el filtro flexible.

Los modelos con filtro rígido le permiten sacar el filtro sin necesidad de quitar el panel delantero:

- Cuando el filtro o la lengüeta del filtro es visible en la parte delantera del acondicionador de aire, sujete el filtro ubicado detrás del panel delantero y tire. O, tire suavemente la parte superior del panel delantero hacia usted, sacándolo del gabinete. Tire el filtro hacia arriba y hacia afuera sujetándolo de las lengüetas situadas en el marco del filtro (Figura 3).
- En los modelos con cajas deslizables, presione hacia abajo la parte superior del panel delantero. Suavemente tire la parte superior del panel hacia afuera del gabinete. Tire el filtro derecho hacia arriba y hacia afuera (Figura 4).
- Para los modelos compactos, empuje la manija del control de evacuación hacia la posición CERRADO. Sujete la lengüeta y levante el filtro derecho hacia arriba y hacia afuera (Figura 5). **Nota:** Para los modelos compactos sin la lengüeta del filtro visible, ver "Desmontaje del Filtro, Algunos Modelos Compactos" en la página anterior.

Para los modelos con filtros flexibles:

- Saque el tornillo ranurado a cada lado del gabinete con un destornillador estándar. Empuje el panel delantero hacia abajo y tirelo hacia usted para desengancharlo de su sujeción. Levante el panel delantero. Saque el filtro de su cavidad (Figuras 6 y 7).

Lave el filtro usando detergente para lavar platos y agua tibia. Enjuague bien el filtro. Suavemente agite para sacar el exceso de agua del filtro. Seque bien el filtro antes de volver a colocarlo.

Limpieza del Gabinete

- Asegúrese de desenchufar el acondicionador de aire para evitar el riesgo de incendio o choque. El gabinete y el panel delantero deben ser limpiados con un paño sin aceite o lavado con una tela mojada en una solución de agua tibia y detergente suave de lavar platos. Enjuague bien y seque.
- Nunca use limpiadores fuertes, cera o pulidor para limpiar el panel delantero del gabinete.
- Asegúrese de estrujar el paño antes de pasar cerca de los controles. El exceso de agua en y cerca de los controles puede causar daño al acondicionador de aire.
- El panel delantero del gabinete puede sacarse para una limpieza más completa. Consulte la sección "Instalación".
- Limpie el panel delantero en una tina de lavar ropa usando detergente líquido de lavar platos y agua tibia. Enjuague y seque bien. Tenga cuidado de no mover las juntas del panel delantero.
- Vuelva a colocar el panel delantero del gabinete. Coloque nuevamente los tornillos o tuercas hexagonales.
- Vuelva a colocar el panel delantero y el filtro.
- Enchufe el acondicionador de aire.

Almacenamiento Durante el Invierno

Si usted intenta guardar el acondicionador de aire durante el invierno, sáquelo cuidadosamente de la ventana de acuerdo con las instrucciones de instalación. Cúbralo con plástico o colóquelo en la caja de cartón original. **NOTA: Para evitar oxidación o que se dañen las conexiones eléctricas, guarde el acondicionador de aire en la posición derecha vertical en un lugar seco.** Se puede comprar una cubierta protectora para el invierno de su distribuidor. La cubierta protegerá al acondicionador de aire si se deja instalado durante el invierno.

Mantenimiento de Rutina

⚠️ ADVERTENCIA Antes de efectuar cualquier mantenimiento desenchufe el cordón eléctrico del tomacorriente.

Limpieza del Panel Delantero del Gabinete

Saque el panel delantero. Lave con agua jabonosa tibia. Enjuague y seque con un paño suave. Nunca use solventes, líquidos de limpieza, limpiadores abrasivos o detergentes fuertes. Si los materiales de empaque dejaron residuos de goma, sáquelos con un paño humedecido con alcohol para fricciones.

Reparación de la Pintura Dañada

Inspeccione las piezas que están expuestas a las inclemencias del tiempo (el gabinete, la ferretería de montaje, si se ha usado, etc.) una o dos veces al año, especialmente en lugares cerca del mar o donde la oxidación es un problema. Si es necesario, proteja con una pintura para exterior de buena clase.

Limpieza del Interior del Acondicionador de Aire

⚠️ ATENCION No debe entrar líquido al motor, a la caja de control eléctrica o a los bornes eléctricos del compresor.

- 1 Saque el panel delantero
- 2 Con ayuda y usando los métodos adecuados para levantar objetos pesados a fin de evitar lesión personal, saque el chasis del gabinete * Cuando se saca el acondicionador de aire del gabinete o de la ventana puede que haya agua dentro de la base la cual se puede derramar en el suelo. Tenga cuidado para evitar cortaduras en las aletas de metal afiladas en la parte delantera y en los serpentines delanteros y traseros
- 3 Los líquidos no deben penetrar a las piezas eléctricas. Cubra el ventilador, la caja de control eléctrica y los bornes eléctricos con plástico. Esto evitará que el agua y otros líquidos penetren al interior donde podrían dañar el aislamiento y causar problemas serios
- 4 Limpie y lave la base con agua, los serpentines y los colectores de agua. Limpie por lo menos una vez al año o más a menudo si los serpentines y los colectores acumulan suciedad, arena, hojas, algas o insectos
- 5 Después de la limpieza, saque el protector de plástico. Espere 24 horas antes de volver a poner en marcha el acondicionador de aire nuevamente. Esto le da tiempo a que se seque. **Nota:** El agua de la lluvia o del uso normal no daña estos componentes pues no penetra forzosamente a las piezas como el chorro de agua de una manguera de jardín
- 6 Cuando se ha sacado el gabinete, es una buena oportunidad para aceitar el motor del ventilador. (Vea las instrucciones a continuación)

***NOTA SOBRE LA MANIJA:** El acondicionador de aire tiene una manija, la cual NO está destinada para levantar el artefacto. Es para deslizar el chasis hacia DENTRO del gabinete solamente (para ayudar a la limpieza, mantenimiento, etc.)

Lubricación del Motor del Ventilador

Para lubricar el motor del ventilador:

- 1 Saque el panel delantero
- 2 Deslice el chasis hasta la mitad fuera del gabinete para dejar al descubierto los tapones de lubricación del motor del ventilador. (Tenga cuidado de no deslizar el chasis hasta muy afuera.) Si el acondicionador de aire no está equipado con un chasis deslizable, saque el gabinete.
- 3 Lubrique el motor del ventilador según las instrucciones del motor. Para agregar aceite, saque el tapón del aceite en cada extremo del motor. Puede adquirir una cápsula de una onza de aceite (pieza número 10943) en su Centro de Servicio Sears más cercano. Vuelva a colocar los tapones del agujero del aceite después de la lubricación.

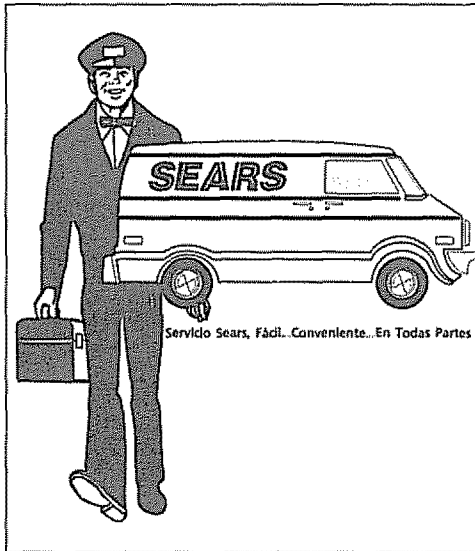
Después del mantenimiento, invierta los procedimientos anteriores para volver instalar el acondicionador de aire.

En caso de necesitar servicio...

Antes de llamar a un técnico para servicio, revise esta lista. Puede ahorrar tiempo y dinero. Esta lista incluye los problemas más comunes que no son el resultado de materiales o mano de obra defectuosa de este artefacto.

PROBLEMA	SOLUCION
El acondicionador de aire no funciona.	<p>Está desenchufado. Enchufelo bien en el tomacorriente.</p> <p>Fusible del hogar quemado o disyuntor disparado. Reemplace el fusible con fusibles de acción retardada o vuelva a repositonar el disyuntor.</p> <p>El selector FAN está en la posición OFF. Coloque el selector FAN en el ajuste FAN deseado.</p> <p>El acondicionador de aire se apaga si se mueve el Control TEMP a un ajuste más caliente y si se vuelve inmediatamente a un ajuste más frío. Espere aproximadamente 3 minutos. Escuche para ver si el compresor se pone en marcha.</p> <p>El aire acondicionado fué apagado y puesto en marcha muy rápidamente. Apague el acondicionador de aire y espere 3 minutos antes de ponerlo en marcha nuevamente.</p> <p>El control TEMP está ajustado a una temperatura superior a la temperatura de la habitación. Gire el Control TEMP a la derecha a un ajuste más frío (la escala más gruesa).</p>
El aire proveniente del acondicionador de aire no parece lo suficientemente frío.	<p>Gire el selector a la posición FAN más alta.</p> <p>El control TEMP está ajustado a demasiado caliente (escala delgada). Gire el Control TEMP a la derecha a un ajuste más frío (escala gruesa).</p> <p>La temperatura de la habitación es inferior a 21°C (70°F). El enfriamiento no se producirá hasta que la temperatura de la habitación sobrepase 21°C (70°F).</p> <p>El tubo detector de la temperatura está tocando el serpentín frío, situado detrás del filtro del aire. Aleje el tubo detector del serpentín.</p>
El acondicionador de aire enfría, pero la habitación está demasiado caliente -- se forma hielo en el serpentín de enfriamiento detrás del panel decorativo delantero.	<p>La temperatura exterior es inferior a 21°C (70°F). Para deshielar el serpentín, coloque el selector en la posición FAN. Luego gire el Control TEMP hacia la derecha a un ajuste más caliente (escala delgada).</p> <p>El filtro del aire puede estar sucio. Limpie el filtro del aire consulte la sección "Cuidado y Limpieza". Para deshielar, coloque el selector en la posición FAN.</p> <p>TEMP CONTROL está ajustado demasiado frío para enfriamiento nocturno. Para deshielar el serpentín, coloque el selector en la posición FAN. Luego, coloque el CONTROL TEMP en una posición más caliente.</p>
El acondicionador de aire enfría pero la habitación está demasiado caliente -- NO hay formación de hielo en el serpentín de enfriamiento detrás del panel decorativo delantero.	<p>El filtro del aire está sucio--restricción del aire. Limpie el filtro del aire. Consulte la sección Cuidado y Limpieza.</p> <p>El Control TEMP está ajustado a demasiado caliente. Gire el Control TEMP a la derecha a un ajuste más frío (escala gruesa).</p> <p>El Control de Evacuación está en la posición OPEN (ABIERTO). Coloque el Control de Evacuación en la posición CLOSED (CERRADO) para enfriamiento máximo.</p> <p>Las persianas direccionales del aire están mal dirigidas. Coloque las persianas de manera de lograr una mejor distribución del aire.</p> <p>La parte delantera del acondicionador de aire está bloqueada por cortinas, persianas, muebles, etc -- se restringe la distribución del aire. Despeje las obstrucciones situadas delante del acondicionador de aire.</p> <p>Puertas, ventanas, registros, etc. abiertos -- el aire frío se escapa. Cierre las puertas, ventanas, registros, etc.</p> <p>El acondicionador de aire ha sido recién encendido en una habitación que está caliente. Deje que transcurra un poco de tiempo para que salga el calor que está acumulado en las paredes, en el techo, piso y muebles.</p> <p>Filtro de aire sucio -- restricción del aire. Limpie el filtro del aire.</p>
El acondicionador de aire se apaga y se enciende rápidamente.	<p>La temperatura exterior está demasiado caliente. Coloque el FAN (VENTILADOR) en la posición más alta para que el aire pase sobre los serpentines de enfriamiento más frecuentemente.</p>
Se produce ruido cuando el acondicionador de aire está enfriando.	<p>Ruido producido por el movimiento del aire. Esto es normal. Si es demasiado fuerte, gire el selector al ajuste FAN más bajo.</p> <p>Ruido producido por el ventilador al golpear el sistema de extracción de agua/humedad. Esto es normal cuando la humedad es demasiado alta. Cierre las puertas, ventanas y registros.</p> <p>Vibración de la ventana--instalación deficiente. Consulte las instrucciones de instalación o con un instalador profesional.</p>
Goteo INTERIOR del agua cuando el acondicionador de aire está enfriando.	<p>Instalación incorrecta. Inclíne el acondicionador de aire ligeramente hacia el exterior para desaguarlo. Consulte las instrucciones de instalación--consulte con un instalador profesional.</p>
Goteo de agua HACIA AFUERA cuando el acondicionador de aire está enfriando.	<p>El acondicionador está extrayendo una gran cantidad de humedad de la habitación. Esto es normal durante días excesivamente húmedos.</p>

Servicio Sears



"Nosotros Reparamos lo que Vendemos" es nuestra garantía de que usted puede depender de Sears para servicio... y el servicio de Sears lo puede conseguir a través de todo el país. Su acondicionador de aire tiene mayor valor cuando se considera que Sears tiene centros de servicio a través de todo el país, con técnicos entrenados por Sears... técnicos específicamente entrenados en los artefactos Sears y que cuentan con las piezas, herramientas y equipo para asegurarle que cumplimos con nuestra promesa... "Nosotros reparamos lo que vendemos"

Convenio de Mantenimiento de Sears

Conserve el valor de su acondicionador de aire Kenmore® adquiriendo el convenio de Mantenimiento Sears. Los acondicionadores de aire Sears están diseñados, fabricados y probados para funcionamiento confiable durante muchos años. Sin embargo, cualquier artefacto moderno puede, de vez en cuando, necesitar servicio.

El Convenio de Mantenimiento Sears

- Es su manera de comprar la reparación del mañana al precio de hoy
- Elimina las cuentas de reparaciones resultantes del uso normal
- Permite tantas llamadas de servicio como sean necesarias
- Proporciona servicio por técnicos profesionales entrenados por Sears
- Ofrece mantenimiento preventivo anual si lo solicita

Este convenio de mantenimiento no cubre la instalación original, la reinstalación o daño resultante de causas externas tales como casos fortuitos, abuso, robo, incendio, inundaciones, viento, rayos, congelación, falla de energía, reducción de potencia, etc. Solicite a un vendedor que le explique todos los términos y condiciones del convenio.

Garantía

Garantía Completa de un Año para el Acondicionador de Aire

Dentro de un año a partir de la fecha de compra, cuando este acondicionador de aire es operado y mantenido para enfriamiento normal de habitaciones de acuerdo a las instrucciones en este manual del usuario, Sears reparará este acondicionador de aire, gratis, si existe defecto de material o mano de obra.

Garantía Completa de Cinco Años en el Sistema de Refrigeración Sellado

Durante cinco años a partir de la fecha de compra cuando este acondicionador de aire es operado y mantenido para enfriamiento normal de habitaciones de acuerdo a las instrucciones de este manual del usuario, Sears reparará el sistema de refrigeración sellado (que consiste en el refrigerante, tubo de conexión y compresor) gratuitamente, si existe defecto de material o mano de obra.

Esta garantía le otorga derechos legales específicos y usted también puede tener otros derechos que varían de un estado a otro.

El servicio bajo la garantía está disponible poniéndose en contacto con el CENTRO/ DEPARTAMENTO DE SERVICIO SEARS MAS CERCANO en los Estados Unidos o llamando al 800-4REPAIR. Para REPUESTOS Y REPARACION llame al 800-FON PART.

**SEARS, ROEBUCK and CO.
3333 Beverly Road
Hoffman Estates, IL 60719**

IMPRESO EN EE UU