



SENSOR SMART™ Gas Dryer

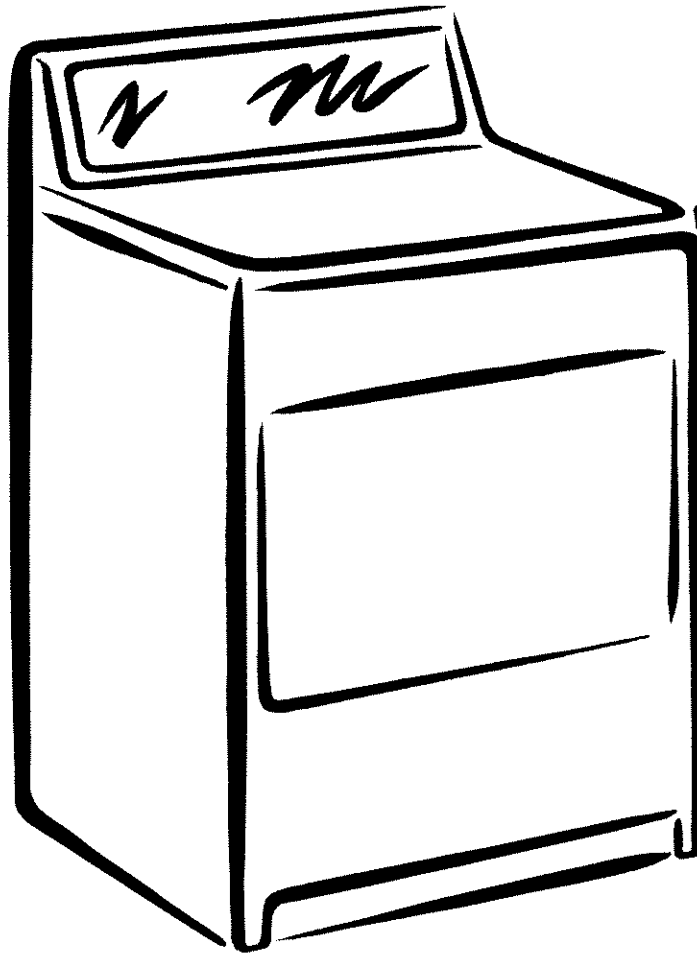
KING SIZE™ Capacity Plus

Use & Care Guide

Secadora de Gas SENSOR SMART™

de capacidad extra grande (KING SIZE™ “Plus”)

Manual de uso y cuidado



ENGLISH ESPAÑOL

TABLE OF CONTENTS

WARRANTY	2
DRYER SAFETY	3
INSTALLATION INSTRUCTIONS	5
Tools and Parts	5
Location Requirements.....	5
Electrical Requirements.....	6
Gas Supply Requirements	7
Venting Requirements	8
Plan Vent System	8
Install Vent System	10
Install Leveling Legs	10
Level Dryer.....	11
Make Gas Connection.....	11
Connect Vent.....	12
Complete Installation.....	12
FEATURES AND BENEFITS	12
TOTAL CARE™ System.....	12
Auto Temp Control	12
EVENHEAT™ with Auto Temp Control Drying System	12
“Smart” Cool Down Period	12
Jeans Cycle	12
DRYER USE	13
Starting Your Dryer.....	13
Stopping Your Dryer.....	14
Pausing or Restarting.....	14
Loading.....	14
Drying and Cycle Tips	14
Dryer Status	15
Cycles	15
Options	16
Modifiers	16
Changing Cycles, Options and Modifiers	17
TUMBLE FREE™ Heated Dryer Rack.....	17
DRYER CARE	17
Cleaning the Dryer Location.....	17
Cleaning the Lint Screen	18
Cleaning the Dryer Interior	18
Removing Accumulated Lint.....	18
Vacation and Moving Care.....	18
Changing the Drum Light	18
TROUBLESHOOTING	19
SERVICE	20
SERVICE NUMBERS	BACK COVER

WARRANTY

Full One-Year Warranty on Mechanical and Electrical Parts

For one year from the date of purchase, when this dryer is installed and operated according to the instructions provided in this Use and Care Guide, Sears will repair this dryer, free of charge, if defective in materials or workmanship.

NOTE: Exhausting this dryer with a plastic vent can void this warranty. See “Installation Instructions” for the complete exhaust requirements for this dryer.

Limited Two-Year Warranty on SENSOR SMART™ Electronic Control Board

For the second year from the date of purchase, Sears will replace the electronic control board if defective in material or workmanship. You will be charged for labor after the first year.

Warranty Restriction

If the dryer is subject to other than private family use, the above warranty coverage is effective for only 90 days.

Warranty Service

Warranty service is available by contacting the nearest Sears Service Center. This warranty applies only while the product is in use in the United States.

This warranty gives you specific legal rights and you may also have other rights which vary from state to state.

For Sears Warranty information or to contact a Sears Service Center, please refer to the service numbers located on the back page of this manual.

Sears, Roebuck and Co.
D/817WA, Hoffman Estates, IL 60179

Product Record

In the space following, record your complete model number, serial number, and purchase date. You can find this information on the model and serial number label, located at the top inside dryer door well.

Have this information available to help you quickly obtain assistance or service when you contact Sears concerning your appliance.

Model number 110.....

Serial number

Purchase date

Save these instructions and your sales receipt for future reference.

DRYER SAFETY

Your safety and the safety of others are very important.

We have provided many important safety messages in this manual and on your appliance. Always read and obey all safety messages.



This is the safety alert symbol.

This symbol alerts you to potential hazards that can kill or hurt you and others.

All safety messages will follow the safety alert symbol and either the word "DANGER" or "WARNING." These words mean:

⚠ DANGER

You can be killed or seriously injured if you don't immediately follow instructions.

⚠ WARNING

You can be killed or seriously injured if you don't follow instructions.

All safety messages will tell you what the potential hazard is, tell you how to reduce the chance of injury, and tell you what can happen if the instructions are not followed.

WARNING: For your safety, the information in this manual must be followed to minimize the risk of fire or explosion, or to prevent property damage, personal injury, or death.

- Do not store or use gasoline or other flammable vapors and liquids in the vicinity of this or any other appliance.
- **WHAT TO DO IF YOU SMELL GAS:**
 - Do not try to light any appliance.
 - Do not touch any electrical switch; do not use any phone in your building.
 - Clear the room, building, or area of all occupants.
 - Immediately call your gas supplier from a neighbor's phone. Follow the gas supplier's instructions.
 - If you cannot reach your gas supplier, call the fire department.
- Installation and service must be performed by a qualified installer, service agency, or the gas supplier.

IMPORTANT SAFETY INSTRUCTIONS

WARNING: To reduce the risk of fire, electric shock, or injury to persons when using the dryer, follow basic precautions, including the following:

- Read all instructions before using the dryer.
- Do not place items exposed to cooking oils in your dryer. Items contaminated with cooking oils may contribute to a chemical reaction that could cause a load to catch fire.
- Do not dry articles that have been previously cleaned in, washed in, soaked in, or spotted with gasoline, dry-cleaning solvents, other flammable, or explosive substances as they give off vapors that could ignite or explode.
- Do not allow children to play on or in the dryer. Close supervision of children is necessary when the dryer is used near children.
- Before the dryer is removed from service or discarded, remove the door to the drying compartment.
- Do not reach into the dryer if the drum is moving.
- Do not install or store the dryer where it will be exposed to the weather.
- Do not tamper with controls.
- Do not repair or replace any part of the dryer or attempt any servicing unless specifically recommended in this Use and Care Guide or in published user-repair instructions that you understand and have the skills to carry out.
- Do not use fabric softeners or products to eliminate static unless recommended by the manufacturer of the fabric softener or product.
- Do not use heat to dry articles containing foam rubber or similarly textured rubber-like materials.
- Clean lint screen before or after each load.
- Keep area around the exhaust opening and adjacent surrounding areas free from the accumulation of lint, dust, and dirt.
- The interior of the dryer and exhaust vent should be cleaned periodically by qualified service personnel.
- See installation instructions for grounding requirements.

SAVE THESE INSTRUCTIONS

IMPORTANT: The gas installation must conform with local codes, or in the absence of local codes, with the National Fuel Gas Code, ANSI Z223.1/NFPA 54.

The dryer must be electrically grounded in accordance with local codes, or in the absence of local codes, with the National Electrical Code, ANSI/NFPA 70.

INSTALLATION INSTRUCTIONS

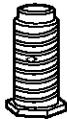
Tools and Parts

Check that you have everything necessary for correct installation. Proper installation is your responsibility.

- 8 or 10 in. pipe wrench
- 8 or 10 in. adjustable wrench (for gas connections)
- Flat-blade screwdriver
- Adjustable wrench that opens to 1 in. or hex-head socket wrench (for adjusting dryer feet)
- Level
- ¼ in. nut driver or socket wrench
- Knife
- Safety glasses
- Vent clamps
- Pipe-joint compound resistant to L.P. gas
- Caulking gun and compound (for installing new exhaust vent)
- Gloves
- Pliers

Parts supplied:

Remove parts package from dryer drum. Check that all parts were included.



4 leveling legs

Parts needed:

Check local codes and with gas supplier, check existing gas supply, electrical supply and venting, and read "Electrical Requirements," "Gas Supply Requirements" and "Venting Requirements" before purchasing parts.

Mobile home installations require special parts (listed following) available for purchase from your local Sears store or Sears Service Center. For further information, please call **1-800-4-MY-HOME® (1-800-469-4663)**.

- Mobile Home Installation Kit. Ask for Part Number 346764.
- Metal exhaust system hardware.

Location Requirements

⚠ WARNING



Explosion Hazard

Keep flammable materials and vapors, such as gasoline, away from dryer.

Place dryer at least 18 inches (46 cm) above the floor for a garage installation.

Failure to do so can result in death, explosion, or fire.

You will need

- A location that allows for proper exhaust installation. A gas dryer must be exhausted to the outdoors. See "Venting Requirements."
- A grounded electrical outlet located within 2 ft (61 cm) of either side of the dryer. See "Electrical Requirements."
- A sturdy floor to support the dryer with a total weight (dryer and load) of 200 lbs (90.7 kgs).
- A level floor with a maximum slope of 1 in. (2.5 cm) under entire dryer. (If slope is greater than 1 in. [2.5 cm], install Extended Dryer Feet Kit, Part No. 279810.) Clothes may not tumble properly and dryers with automatic sensor cycles may not operate correctly if dryer is not level.

Do not operate your dryer at temperatures below 45°F (7°C). At lower temperatures, the dryer might not shut off at the end of an automatic cycle. Drying times can be extended.

The dryer must not be installed or stored in an area where it will be exposed to water and/or weather.

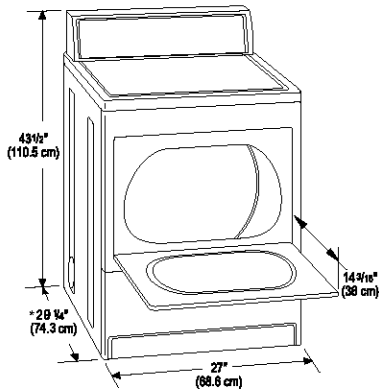
Check code requirements. Some codes limit, or do not permit, installation of the dryer in garages, closets, mobile homes, or sleeping quarters. Contact your local building inspector.

NOTE: No other fuel-burning appliance can be installed in the same closet as a dryer.

Installation Clearances

The location must be large enough to allow the dryer door to open fully.

Dryer Dimensions

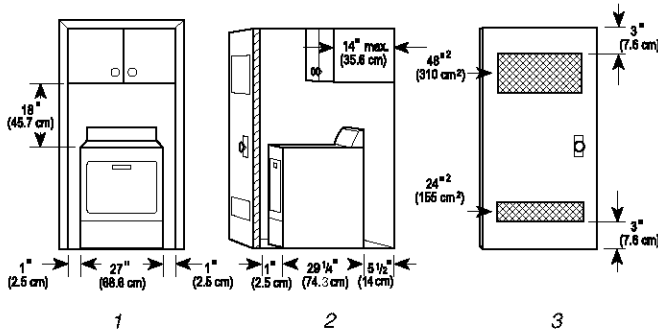


*Most installations require a minimum 5½ in. (14 cm) clearance behind the dryer for the exhaust vent with elbow. See "Venting Requirements."

Minimum installation spacing for recessed area or closet installation

The dimensions shown following are for the minimum spacing allowed.

- Additional spacing should be considered for ease of installation and servicing.
- Additional clearances might be required for wall, door and floor moldings.
- Additional spacing of 1 in. (2.5 cm) on all sides of the dryer is recommended to reduce noise transfer.
- For closet installation, with a door, minimum ventilation openings in the top and bottom of the door are required. Louvered doors with equivalent ventilation openings are acceptable.
- Companion appliance spacing should also be considered.



1. Recessed area
2. Side view - closet or confined area
3. Closet door with vents

Mobile Home-Additional Installation Requirements

This dryer is suitable for mobile home installations.

The installation must conform to the Manufactured Home Construction and Safety Standard, Title 24 CFR, Part 3280 (formerly the Federal Standard for Mobile Home Construction and Safety, Title 24, HUD Part 280).

Mobile home installations require:

- Metal exhaust system hardware which is available for purchase from your local Sears store or Sears Service dealer.
- Mobile home Installation Kit Part #346764, see "Tools and Parts" section for ordering information.
- Special provisions must be made in mobile homes to introduce outside air into the dryer. The opening (such as a nearby window) should be at least twice as large as the dryer exhaust opening.

Electrical Requirements

⚠ WARNING



Electrical Shock Hazard

Plug into a grounded 3 prong outlet.

Do not remove ground prong.

Do not use an adapter.

Do not use an extension cord.

Failure to follow these instructions can result in death, fire, or electrical shock.

- 120-Volt, 60-Hz., AC-only, 15- or 20-amp fused electrical supply is required. (Time-delay fuse or circuit breaker is recommended.) It is recommended that a separate circuit serving only this dryer be provided.

GROUNDING INSTRUCTIONS

- For a grounded, cord-connected dryer:
This dryer must be grounded. In the event of malfunction or breakdown, grounding will reduce the risk of electric shock by providing a path of least resistance for electric current. This dryer is equipped with a cord having an equipment-grounding conductor and a grounding plug. The plug must be plugged into an appropriate outlet that is properly installed and grounded in accordance with all local codes and ordinances.

WARNING: Improper connection of the equipment-grounding conductor can result in a risk of electric shock. Check with a qualified electrician or service representative or personnel if you are in doubt as to whether the dryer is properly grounded. Do not modify the plug provided with the dryer: if it will not fit the outlet, have a proper outlet installed by a qualified electrician.

SAVE THESE INSTRUCTIONS

Gas Supply Requirements

⚠ WARNING



Explosion Hazard

Use a new AGA or CSA approved gas supply line.

Install a shut-off valve.

Securely tighten all gas connections.

If connected to LP, have a qualified person make sure gas pressure does not exceed 13" (33 cm) water column.

Examples of a qualified person include:
licensed heating personnel,
authorized gas company personnel, and
authorized service personnel.

Failure to do so can result in death, explosion,
or fire.

Gas Type

Natural Gas:

This dryer is equipped for use with NATURAL GAS. It is design-certified by CSA International for L.P. (propane or butane) gases with appropriate conversion.

- Your dryer must have the correct burner for the type of gas in your home. Burner information is located on the rating plate in the door well of your dryer. If this information does not agree with the type of gas available, contact your local Sears store or Sears Service Center.

L.P. gas conversion:

Conversion must be made by a qualified technician.

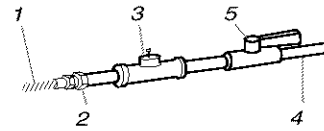
No attempt shall be made to convert the appliance from the gas specified on the model/serial rating plate for use with a different gas without consulting the serving gas supplier.

Gas Supply Line:

- ½ in. IPS pipe is recommended.
- ¾ in. approved tubing is acceptable for lengths under 20 ft (6.1 m) if local codes and gas supplier permit.
- Must include ½ in. NPT plugged tapping, immediately upstream of the gas connection (see illustration).

- Must include a shutoff valve:

An individual shutoff valve must be installed within six (6) feet (1.8 m) of the dryer in accordance with the National Fuel Gas Code, ANSI Z223.1. The location should be easy to reach for opening and closing.



1. ¾ in. flexible gas connector
2. ¾ in. pipe to flare adapter fitting
3. ½ in. NPT plugged tapping
4. ½ in. NPT gas supply line
5. Gas shutoff valve

Gas supply connection requirements

There are many methods by which your gas dryer can be connected to the gas supply. Listed here are some guidelines for two different methods of connection.

Option 1 (Recommended Method):

Flexible stainless steel tubing:

- If local codes permit, use flexible stainless steel tubing (Design Certified by the American Gas Association or CSA International) to connect your dryer to the rigid gas supply line. Use an elbow and a ¾ in. flare x ¾ in. NPT adapter fitting between the stainless steel tubing and the dryer gas pipe, as needed to prevent kinking.

Option 2 (Alternate Method):

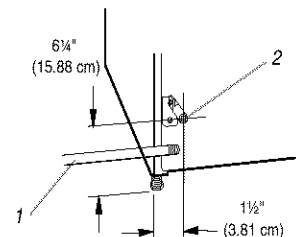
Approved aluminum or copper tubing:

- Lengths under 20 ft (6.1 m) can use ¾ in. approved tubing (if codes and gas supplier permit).
- If you are using natural gas, do not use copper tubing.
- ¾ in. flare x ¾ in. NPT adapter fitting between dryer pipe and ¾ in. approved tubing
- Lengths over 20 ft (6.1 m) should use larger tubing and a different size adapter fitting.
- If your dryer has been converted to use L.P. gas, ¾ in. L.P. compatible copper tubing can be used. If the total length of the supply line is more than 20 ft (6.1 m), use larger pipe.

NOTE: Pipe joint compounds that resist the action of L.P. gas must be used. Do not use TEFLON[®] tape.

Dryer Gas Pipe

- The gas pipe that comes out through the rear of your dryer has a ¾ in. male pipe thread.



1. ½ in. NPT gas supply line
2. ¾ in. NPT dryer pipe

Burner Input Requirements:

Elevations up to 10,000 feet (3,048 meters):

- The design of this dryer is certified by CSA International for use at altitudes up to 10,000 ft (3,048 m) above sea level at the B.T.U. rating indicated on the model/serial number plate. Burner input adjustments are not required when the dryer is operated up to this elevation.

Elevations above 10,000 feet (3,048 meters):

- When installed above 10,000 ft (3,048 m) a 4% reduction of the burner B.T.U. rating shown on the model/serial number plate is required for each 1,000 ft (305 m) increase in elevation.

Gas Supply Pressure Testing

- The dryer must be disconnected from the gas supply piping system during any pressure testing.

†@TEFLON is a registered trademark of DuPont

Venting Requirements

⚠ WARNING



Fire Hazard

Use a heavy metal vent.

Do not use a plastic vent.

Do not use a metal foil vent.

Failure to follow these instructions can result in death or fire.

WARNING: To reduce the risk of fire, this dryer **MUST BE EXHAUSTED OUTDOORS.**

4 in. (10.2 cm) heavy metal exhaust vent and clamps must be used. DURASAFE™ venting products are recommended and are available from your local Sears store or Sears Service Center.

DURASAFE™ vent products can be purchased from your dealer. For further information, please call 1-800-4-MY-HOME® (1-800-469-4663) or visit our Internet site at: www.sears.com or www.sears.ca.

- The dryer exhaust must not be connected into any gas vent, chimney, wall, ceiling, or a concealed space of a building.
- Do not use an exhaust hood with a magnetic latch.

- Do not install flexible metal vent in enclosed walls, ceilings or floors.
- Use clamps to seal all joints. Exhaust vent must not be connected or secured with screws or other fastening devices which extend into the interior of the duct. Do not use duct tape.

IMPORTANT: Observe all governing codes and ordinances.

Improper venting can cause moisture and lint to collect indoors, which may result in:

- Moisture damage to woodwork, furniture, paint, wall-paper, carpets, etc.
- Housecleaning problems and health problems.

Use a heavy metal vent. Do not use plastic or metal foil vent.

Rigid metal vent is recommended to prevent crushing and kinking.

Flexible metal vent must be fully extended and supported when the dryer is in its final position. Remove excess flexible metal vent to avoid sagging and kinking that may result in reduced airflow and poor performance.

An exhaust hood should cap the vent to prevent rodents and insects from entering the home.

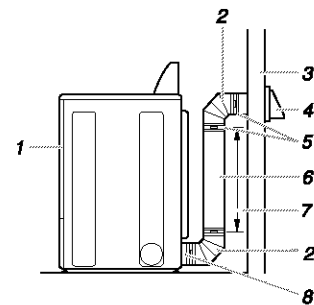
Exhaust hood must be at least 12 in. (30.5 cm) from the ground or any object that may be in the path of the exhaust (such as flowers, rocks or bushes, etc.).

If using an existing vent system, clean lint from the entire length of the system and make sure exhaust hood is not plugged with lint. Replace any plastic or metal foil vent with rigid metal or flexible metal vent.

Plan Vent System

Typical exhaust installations

Typical installations vent the dryer from the rear of the dryer. Other installations are possible.



1. Dryer
2. Elbow
3. Wall
4. Exhaust hood

5. Clamps
6. Rigid metal or flexible metal vent
7. Vent length necessary to connect elbows
8. Exhaust outlet

Optional exhaust installations

This dryer can be converted to exhaust out the right side, left side, or through the bottom.

! WARNING



Fire Hazard

Cover unused exhaust holes with one of the following kits:

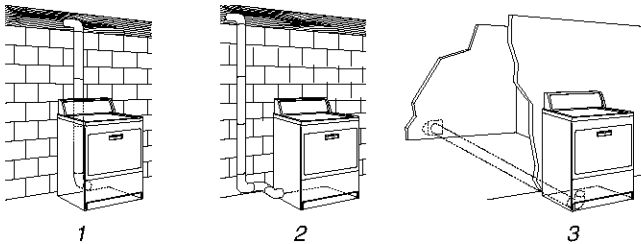
279818 (white)

279915 (graphite)

279925 (biscuit)

Contact your local dealer.

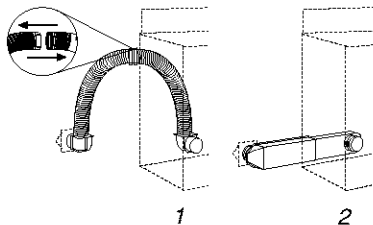
Failure to follow these instructions can result in death, fire, electrical shock, or serious injury.



1. Standard rear offset exhaust installation
2. Left or right side exhaust installation
3. Bottom exhaust installation

Alternate installations for close clearances

Venting systems come in many varieties. Select the type best for your installation. Two close-clearance installations are shown. Refer to the manufacturer's instructions.



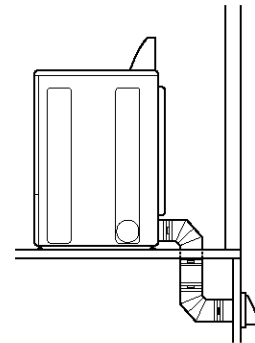
1. Over-The-Top installation (also available with one offset elbow)
2. Periscope installation

NOTE: The following kits for close clearance alternate installations are available for purchase. For further information, please call **1-800-4-MY-HOME® (1-800-469-4663)**.

- **Over-The-Top Installation:**
Part Number 26-49900
- **Periscope Installation (For use with dryer vent to wall vent mismatch):**
Part Number 26-49901 - Less than 5 in. (12.7 cm) mismatch
Part Number 26-49908 - 5 in. (12.7 cm) to 18 in. (45.72 cm) mismatch
Part Number 26-49904 - 18 in. (45.72 cm) to 29 in. (73.66 cm) mismatch
Part Number 26-49905 - 29 in. (73.66 cm) to 50 in. (127 cm) mismatch

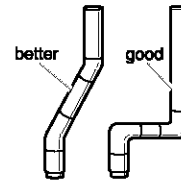
Special provisions for mobile home installations

The exhaust vent must be securely fastened to a noncombustible portion of the mobile home structure and must not terminate beneath the mobile home. Terminate the exhaust vent outside.



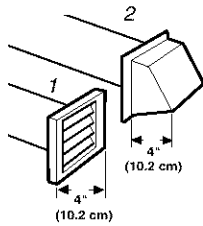
Determine Vent Length

1. Select the route that will provide the straightest and most direct path outdoors. Plan the installation to use the fewest number of elbows and turns. When using elbows or making turns, allow as much room as possible. Bend vent gradually to avoid kinking. Avoid 90° turns.



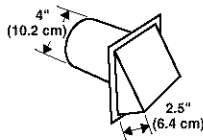
2. Determine vent length.
The maximum length of the exhaust system depends upon:
- The type of vent (rigid metal or flexible metal).
 - The number of elbows used.
 - Type of hood.

Recommended hood styles are shown here.



1. Louvered hood style
2. Box hood style

The angled hood style (shown following) is acceptable.



See the exhaust vent length chart that matches your hood type for the maximum vent lengths you can use.

Exhaust systems longer than specified will:

- Shorten the life of the dryer.
 - Reduce performance, resulting in longer drying times and increased energy usage.
3. Determine the number of elbows you will need.

NOTE: Do not use vent runs longer than specified in the Vent Length Chart.

The chart below helps you determine your maximum vent length based on the number of 90° turns or elbows you will need and the type of vent (rigid or flexible metal) and hood that you will use.

Vent Length Chart

Number of 90° turns or elbows	Type of vent	Box or louvered hoods	Angled hoods
0	Rigid metal	64 ft (20 m)	58 ft (17.7 m)
	Flexible metal	36 ft (11 m)	28 ft (8.5 m)
1	Rigid metal	54 ft (16.5 m)	48 ft (14.6 m)
	Flexible metal	31 ft (9.4 m)	23 ft (7 m)
2	Rigid metal	44 ft (13.4 m)	38 ft (11.6 m)
	Flexible metal	27 ft (8.2 m)	19 ft (5.8 m)
3	Rigid metal	35 ft (10.7 m)	29 ft (8.8 m)
	Flexible metal	25 ft (7.6 m)	17 ft (5.2 m)
4	Rigid metal	27 ft (8.2 m)	21 ft (6.4 m)
	Flexible metal	23 ft (7 m)	15 ft (4.6 m)

NOTE: Side and bottom exhaust installations have a 90° turn inside the dryer. To determine maximum exhaust length, add 1 90° turn to the chart.

Install Vent System

1. (Optional) Put on safety glasses and gloves.
2. Install exhaust hood. Use caulking compound to seal exterior wall opening around exhaust hood.
3. Connect vent to exhaust hood. Vent must fit inside exhaust hood. Secure vent to exhaust hood with 4 in. (10.2 cm) clamp.
4. Run vent to dryer location. Use the straightest path possible. See "Determine Vent Length." Avoid 90° turns. Use clamps to seal all joints. Do not use duct tape, screws or other fastening devices that extend into the interior of the vent to secure vent.

Install Leveling Legs

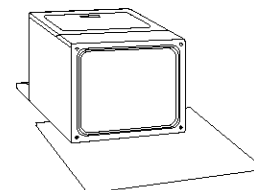
⚠ WARNING

Excessive Weight Hazard

Use two or more people to move and install dryer.

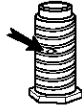
Failure to do so can result in back or other injury.

1. To protect the floor, use a large flat piece of cardboard from the dryer carton. Place cardboard under the entire back edge of the dryer. See illustration.
2. Firmly grasp the body of the dryer (not the top or console panel).



Gently lay the dryer on the cardboard.

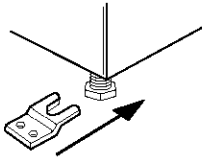
3. Examine the leveling legs. Find the diamond marking.



4. Screw the legs into the leg holes by hand. Use a wrench to finish turning the legs until the diamond marking is no longer visible.
5. Place a carton corner post under each of the 2 dryer back corners. Stand the dryer up. Slide the dryer on the corner posts until it is close to its final location. Leave enough room to connect the exhaust vent.
6. Once connection is made and dryer is in final location, remove corner posts and cardboard.

For mobile home use

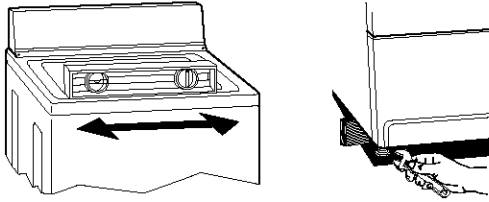
Gas dryers must be securely fastened to the floor.



Mobile home installations require a Mobile Home Installation Kit. See "Tools and Parts" section for ordering information.

Level Dryer

Check the levelness of the dryer. Check levelness first side-to-side, then front-to-back.



If the dryer is not level, prop up the dryer using a wood block. Use a wrench to adjust the legs up or down and check again for levelness.

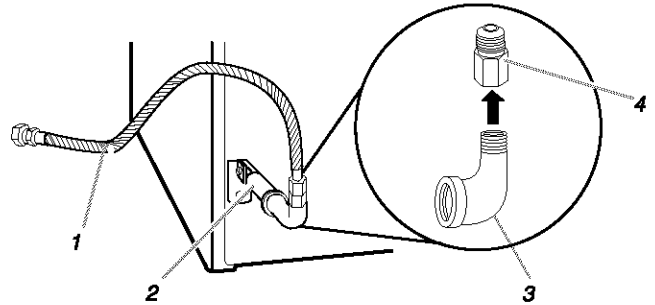
NOTE: It might be necessary to level the dryer again after it is moved into its final position.

Make Gas Connection

1. Remove the red cap from the gas pipe. Move the dryer close to its final position.
2. Using a wrench to tighten, connect the gas supply to the dryer. Use pipe joint compound on all non-flared male threads. If flexible metal tubing is used, be sure there are no kinks.

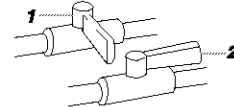
NOTE: For L.P. gas connections, you must use pipe joint compound resistant to the action of L.P. gas. Do not use TEFLON® tape.

A combination of pipe fittings must be used to connect the dryer to the existing gas line. Shown following is a recommended connection. Your connection may be different, according to the supply line type, size, and location.



1. $\frac{3}{8}$ in. flexible gas connector
2. $\frac{3}{8}$ in. dryer pipe
3. $\frac{3}{8}$ in. to $\frac{3}{8}$ in. pipe elbow
4. $\frac{3}{8}$ in. pipe-to-flare adapter fitting

3. Open the shutoff valve in the supply line. The valve is open when the handle is parallel to the gas pipe.



1. Closed valve
2. Open valve

4. Test all connections by brushing on an approved non-corrosive leak-detection solution. Bubbles will show a leak. Correct any leak found.

Connect Vent

1. Using a 4 in. (10.2 cm) clamp, connect vent to exhaust outlet in dryer. If connecting to existing vent, make sure the vent is clean. The dryer vent must fit over the dryer exhaust outlet and inside the exhaust hood. Make sure the vent is secured to exhaust hood with a 4 in. (10.2 cm) clamp.
 2. Move dryer into final position. Do not crush or kink vent. Make sure dryer is level.
 3. (On gas models) If flexible metal tubing is used, check to be sure there are no kinks in the flexible gas line.
-

Complete Installation

1. Check to be sure all parts are now installed. If there is an extra part, go back through the steps to see which step was skipped.
2. Check to be sure you have all of your tools.
3. Dispose of all packaging materials.
4. Check the dryer's final location. Be sure the vent is not crushed or kinked.
5. Check to be sure the dryer is level. (See "Level Dryer.")
6. Plug into a grounded 3 prong outlet. Turn power on.
7. Remove the blue protective film on the console and any tape remaining on the dryer.
8. Read "Dryer Use."
9. Wipe the dryer drum interior thoroughly with a damp cloth to remove any dust.
10. Set the dryer on a full heat cycle (not an air cycle) for 20 minutes and start the dryer.

If the dryer will not start, check the following:

- Dryer is plugged into a grounded 3 prong outlet.
 - Electrical supply is connected.
 - House fuse is intact and tight; or circuit breaker has not tripped.
 - Dryer door is closed.
11. When the dryer has been running for 5 minutes, open the dryer door and feel for heat. If you do not feel heat, turn the dryer off and check to see if the gas supply line shutoff valve is open.
 - If the gas supply line shutoff valve is closed, open it, then repeat the 5-minute test as outlined above.
 - If the gas supply line shutoff valve is open, contact a qualified technician.

FEATURES AND BENEFITS

TOTAL CARE™ System

The exclusive TOTAL CARE™ System combines the KING SIZE™ load capacity, EVENHEAT™ with Auto Temp Control, WRINKLE GUARD® III, and the TUMBLE FREE™ heated dryer rack to ensure total drying care for any type of fabric and load size.

Auto Temp Control

In automatic drying cycles, the temperature of the clothes is reduced by automatically turning down the heat as the clothes become dry. This reduces overdrying and provides better care of the fabrics in your clothes.

EVENHEAT™ with Auto Temp Control Drying System

The EVENHEAT™ with Auto Temp Control system for drying uses dual moisture sensing devices and SENSOR SMART™ controls. EVENHEAT™ with Auto Temp Control shortens drying time and dries the load at lower temperatures for optimal fabric care. The EVENHEAT™ with Auto Temp Control system monitors the temperature of the heated air to ensure that it is never too hot to cause fabric damage. It also terminates the cycle when the clothes are dry to reduce shrinkage.

"Smart" Cool Down Period

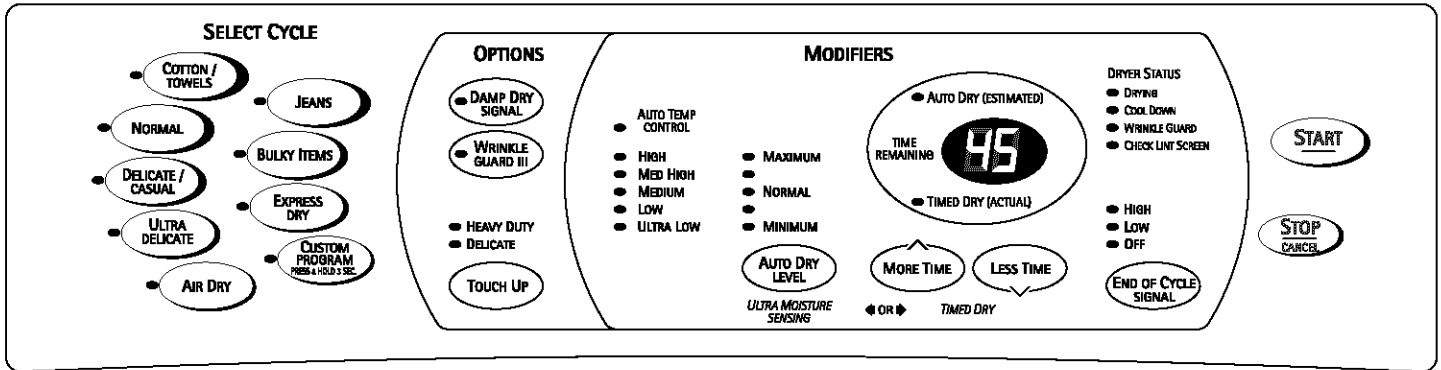
When the selected level of dryness is reached, the dryer goes into a cool down period lasting 2-10 minutes. Unlike other dryers that provide a fixed 10-minute cool down, the length of the "Smart" cool down is based on the cycle time and selected dryness setting.

- For small loads or loads that are dried at a lower temperature, the cool down may be as low as 2 minutes.
 - For large loads or loads that are dried at a higher temperature, the cool down will be closer to 10 minutes.
-

Jeans Cycle

Auto Temperature Control monitors the temperature and moisture of your clothes and turns down the temperature at the right time. By sensing the temperature and moisture, jeans come out of the dryer ready to wear. You can put them on without them being damp or overdry.

DRYER USE



Starting Your Dryer

! WARNING



Explosion Hazard

Keep flammable materials and vapors, such as gasoline, away from dryer.

Do not dry anything that has ever had anything flammable on it (even after washing).

Failure to follow these instructions can result in death, explosion, or fire.

! WARNING



Fire Hazard

No washer can completely remove oil.

Do not dry anything that has ever had any type of oil on it (including cooking oils).

Items containing foam, rubber, or plastic must be dried on a clothesline or by using an Air Cycle.

Failure to follow these instructions can result in death or fire.

The following is a guide to starting your dryer. Periodic references to other sections of this manual provide more detailed information.

1. Check lint screen. Clean if needed.
2. Put laundry into dryer and shut door. See "Loading."
3. Select the cycle you want by pressing one of the pads under SELECT CYCLE or by selecting TOUCH UP under OPTIONS. See "Cycles" and "Options." The preset settings for Auto Dry or Timed Dry will glow. The estimated or actual cycle time (in minutes) will show in the display.
 - The preset settings provide the recommended fabric care for your selected cycle. For preset cycle settings, see "Drying and Cycle Tips."
 - If desired, you can change the Auto Dry (Estimated) time by pressing AUTO DRY LEVEL until the desired level of dryness and estimated dry time are displayed. The Auto Dry Level saves you time by providing the best drying results in the shortest time. Electronic sensors determine the dryness level of your clothes. When your clothes are almost dry, the drying time automatically changes from estimated to the actual time remaining in your cycle. For details, see "Modifiers."

NOTE: To change from an Auto Dry cycle to a Timed Dry cycle, press MORE TIME or LESS TIME. The time displayed will be the actual time.

 - If desired, you can change the Timed Dry (Actual) time by pressing MORE TIME or LESS TIME until the desired time is displayed. See "Modifiers."
 - For best fabric care, follow garment label instructions.
4. (OPTIONAL STEP) If desired, select OPTIONS. For more details, see "Options."
5. (OPTIONAL STEP) If desired, set the END OF CYCLE SIGNAL.
6. Press START. Be sure the door is closed.
 - If you do not press START within 5 minutes of selecting the cycle, the dryer will automatically shut off.
 - If you wish to end your drying cycle after pressing START, press STOP/CANCEL twice.

Stopping Your Dryer

To stop your dryer at any time

Press STOP/CANCEL or open the door.

Pausing or Restarting

To pause the dryer at any time

Open the door or press STOP/CANCEL once.

To restart the dryer

Close the door and press START.

NOTE: Drying will continue from where the cycle was interrupted if you close the door and press START within 5 minutes. If the cycle is interrupted for more than 5 minutes, the dryer will shut off. You will need to select new cycle settings before restarting the dryer.

Loading

Properly loading your dryer can lower your utility bill and prolong the life of your garments.

Loading suggestions

- Load the dryer by the amount of space items take up, not by their weight.
- Do not overload the dryer. This causes uneven drying and wrinkling.

KING SIZE™ Capacity Plus Dryers

Heavy Work Clothes

4 jeans	2 sweatpants
4 workpants	2 sweatshirts
4 workshirts	

Towels

10 bath towels	14 washcloths
10 hand towels	

Mixed Load

3 sheets (1 king, 2 twin)	9 T-shirts
4 pillowcases	9 shorts
3 shirts	10 handkerchiefs
3 blouses	

Drying and Cycle Tips

Select the correct cycle and temperature for your load.

The display shows the estimated cycle time when your dryer is automatically sensing the dryness level of your load. If a cycle is using Timed Dry, the display shows the exact number of minutes remaining in the cycle.

Cool Down tumbles the load without heat during the last few minutes of all cycles. Cool Down makes the loads easier to handle. The length of the Cool Down depends on the load size and dryness level.

Drying tips

- Follow care label directions when they are available.
- If you use fabric softener sheets, use only ones labeled as dryer safe. Follow package instructions.
- Remove the load from the dryer as soon as tumbling stops to reduce wrinkling. This is especially important for permanent press, knits, and synthetic fabrics.

Cycle tips

- Dry most loads using the preset cycle settings.
- Use this chart as a guide to dry various loads. Drying temperature and Auto Dry Level (Normal Dry) are preset when you choose an Auto Dry cycle. You can select a different dryness level, depending on your load (see "Modifiers").
- For a Timed cycle, drying temperature is preset, but the time can be adjusted.

CYCLE	PRESET CYCLE SETTINGS		
	Load Type	Drying Method (Auto Dry Level)	Temp.
COTTON/TOWELS <i>Heavyweight items, towels</i>	Auto Dry (Normal)	High	54*
JEANS <i>Denim pants, jackets</i>	Auto Dry (Normal)	Medium High	64*
NORMAL <i>Corduroys, work clothes</i>	Auto Dry (Normal)	Medium	52*
BULKY ITEMS <i>Bedspreads, sleeping bags</i>	Auto Dry (Normal)	Medium	60*
DELICATE/CASUAL <i>Sheets, permanent press, diapers</i>	Auto Dry (Normal)	Low	36*
ULTRA DELICATE <i>Exercise wear, sheer curtains, lace</i>	Auto Dry (Normal)	Ultra Low	22*
EXPRESS DRY™ <i>Small loads</i>	Timed Dry	High	23**
AIR DRY <i>Rubber, plastic, special-care</i>	Timed Dry	No heat	30**
TOUCH UP Heavy Duty <i>Heavyweight, sturdy fabrics</i>	Timed Dry	High	30**
Delicate <i>Lightweight items, synthetics</i>		Low	20**

* Estimated pre-set time

** Actual time

Dryer Status

Follow the progress of your dryer with the Drying Status indicators.

DRYER STATUS

- DRYING
- COOL DOWN
- WRINKLE GUARD
- CHECK LINT SCREEN

DRYING glows when Start is pressed.

DRYING flashes when the display shows the actual minutes remaining in the cycle. DRYING stops flashing at the start of Cool Down.

COOL DOWN glows during the cool down part of the cycle.

CHECK LINT SCREEN flashes to remind you to clean the lint screen before starting a cycle. The light turns off when you open the dryer door or press Start.

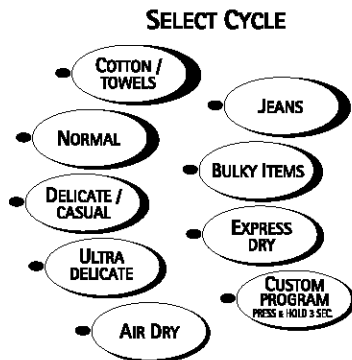
Indicator lights

Other indicator lights show what cycle, options and modifiers have been selected. The display lights also show the estimated or actual Time Remaining.

Cycles

Select the drying cycle that matches the type of load you are drying. A preset range of heat is automatically set for the type of fabric selected. (See "Drying and Cycle Tips" chart.)

When you select a cycle, your dryer selects a preset temperature, Auto Dry Level (Normal) and either Auto Dry (Estimated) or Timed Dry (Actual) Time Remaining. The time displayed for the Auto Dry cycles are estimated times. Part way through the cycle, the dryer turns the Auto Dry (Estimated) Time Remaining indicator light off and displays the actual time remaining on the display. The Timed Dry (Actual) indicator light will glow only if a Timed Dry cycle was selected. (See "Modifiers.")



Cotton/Towels

Use this cycle to get high heat for heavy fabrics.

Jeans

Use this cycle to get medium high heat for drying denims.

Normal

Use this cycle to get medium heat for drying sturdy fabrics.

Bulky Items

Use this cycle for drying large, bulky items that dry quickly on the outside, but stay wet on the inside. This cycle uses medium heat.

Delicate/Casual

Use this cycle to get low heat for drying synthetic fabrics, washable knit fabrics and no-iron finishes.

Ultra Delicate

Use this cycle to get ultra low heat to gently dry items such as exercise wear or sheer curtains.

EXPRESS DRY™

Use this 23 minute High Heat cycle for drying small loads or loads that need a short drying time.

Air Dry

Air Dry gives you all the benefits of hang drying with a shorter drying time. Adjust the Air Dry cycle from 1 to 99 minutes at any time during the cycle, or use the preset setting of 30 minutes.

Use the Air Dry cycle for items that require drying without heat such as rubber, plastic and heat sensitive fabrics. This chart shows examples of items that can be dried using the Air Dry cycle.

Type of Load	Minutes
Foam rubber - pillows, padded bras, stuffed toys	20 - 30
Plastic - Shower curtains, tablecloths	20 - 30
Rubber-backed rugs	40 - 50
Olefin, polypropylene, sheer nylon	10 - 20

When using Air Dry

- Check to see that coverings are securely stitched.
- Shake and fluff pillows by hand periodically during the cycle.
- Dry item completely. Foam rubber pillows are slow to dry.

NOTE: An Auto Dry Level selection is not available when using the Air Dry cycle.

Custom Program

Use the Custom Program to select the Cycle, Options and Modifiers you use most frequently and store them for future use.

To store a cycle for future use

1. Select a Cycle.
2. Select the desired Options.
3. Select the desired Modifiers.
4. Press and hold CUSTOM PROGRAM for 3 seconds until you hear a beep.
5. Press START.

To reuse this cycle

1. Press CUSTOM PROGRAM.
2. Press START.

Options

You can customize your cycles by selecting options.



Damp Dry Signal

Select the Damp Dry Signal to alert you that your clothes are approximately 80% dry. This is useful when you want to remove lightweight items in a mixed load (to prevent overdrying), or remove partially dry items that may need ironing.

NOTE: The Damp Dry Signal is an option that is only available with Automatic cycle.

WRINKLE GUARD® III

WRINKLE GUARD® III prevents wrinkles that form when you cannot unload the dryer promptly at the end of a cycle.

- Press WRINKLE GUARD® III to get up to 2½ hours of heat-free, periodic tumbling at the end of a cycle.
- Stop WRINKLE GUARD® III at any time by pressing the WRINKLE GUARD® III pad or opening the dryer door.
- For the Delicate/Casual Auto Dry cycle, WRINKLE GUARD® III is preset to “On.” The other Auto Dry cycles will retain the WRINKLE GUARD® III setting. (For example, if you select WRINKLE GUARD® III in the Normal cycle, WRINKLE GUARD® III will be on the next time you select the Normal cycle.)

NOTE: If you do not select WRINKLE GUARD® III, the dryer stops after Cool Down.

Touch Up

Select this option to remove wrinkles from clean items such as clothes packed in a suitcase or items wrinkled from being left in the dryer too long.

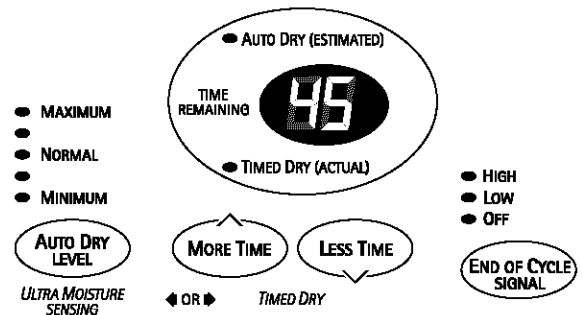
- Press TOUCH UP once to get HEAVY DUTY (30 minutes of high heat). Use Heavy Duty for medium to heavyweight items such as bedspreads and jeans.
- Press TOUCH UP twice to get DELICATE (20 minutes of low heat). Use Delicate for light to medium weight items such as blouses and skirts.
- Press MORE TIME or LESS TIME to adjust the cycle time.
- The WRINKLE GUARD® III option is also available in Touch Up. Remove clothes immediately when tumbling stops.

Modifiers

When you select a cycle, the preset Auto Dry Level (Auto Dry) or Timed Dry settings for that cycle will glow. Modifiers allow you to change the preset settings and further customize your cycles.

Auto Dry Level with Ultra Moisture Sensing

Auto Dry Level with Ultra Moisture Sensing provides the most accurate drying results in the shortest time. This can help you save money on utility bills and reduce the risk of fabric damage. Dryness level is determined by dual sensor strips that measure the moisture in your clothes. Once the desired dryness level is reached, the electronic sensors signal the dryer to stop to prevent overdrying your clothes.



For all Auto Dry cycles, the Auto Dry Level is automatically set to Normal. This setting provides the recommended fabric care for your cycle. The display will show the estimated time (in minutes) required to reach an approximate 80% dry level. After the 80% dryness level is reached, the remaining drying time required will be displayed as actual time remaining.

Use the Normal setting to dry most loads. At the end of the cycle, feel the dried clothes.

- If they are damper than you like, select a setting above Normal the next time you dry a similar load.
- If they are drier than you like, select a setting below Normal the next time you dry a similar load.

To change the dryness level

Press AUTO DRY LEVEL until the desired dryness level glows.

NOTE: Auto Dry Level is not a selectable option with the EXPRESS DRY™ cycle, the Air Dry cycle or Touch Up.

To change from estimated to actual drying time

Press MORE TIME or LESS TIME until the desired time is displayed. The light for Timed Dry (Actual) will glow.

Timed Dry

Use Timed Dry to select a specific amount of drying time. The preset settings for EXPRESS DRY™, Air Dry and Touch Up are automatically set to Timed Dry.

To change the time

Press MORE TIME or LESS TIME until the desired time shows in the display.

End of Cycle Signal

The End of Cycle Signal produces an audible sound when the drying cycle is finished. Promptly removing clothes at the end of the cycle reduces wrinkling.

Press the END of CYCLE SIGNAL pad to adjust the sound level or turn off the signal.

NOTE: When WRINKLE GUARD® III is selected and the End of Cycle Signal is on, an audible sound will emit every five minutes until the clothes are removed, or WRINKLE GUARD® III is finished.

Changing Cycles, Options and Modifiers

You can change Cycles, Options and Modifiers anytime before Start is pressed.

- A short tone sounds when a change is selected.
- Two short tones sound if an unavailable combination is selected. The last selection will not be accepted.

Changing Cycles after pressing Start

1. Press STOP/CANCEL twice.
2. Select the desired cycle.
3. Press START. The dryer starts at the beginning of the new cycle.

NOTE: If you do not press Start within 5 minutes of selecting the cycle, the dryer automatically shuts off.

Changing Options and Modifiers after pressing Start

You can change an Option or Modifier anytime before the selected Option or Modifier begins.

1. Press STOP/CANCEL.
2. Select the new Option and/or Modifiers.
3. Press START to continue the cycle.

TUMBLE FREE™ Heated Dryer Rack

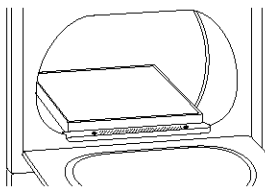
The dryer rack was shipped on top of your dryer. Remove and discard shipping blocks before use.

Use the TUMBLE FREE™ Heated Dryer Rack for items that you do not want to tumble dry, such as sweaters. When you use the heated dryer rack, the heated air inside the dryer flows in a concentrated pattern to allow efficient and uniform drying. Use Timed Dry to select the desired time.

To use the heated dryer rack:

Do not remove the lint screen.

1. Open dryer door.
2. Slide dryer rack over the bottom of the dryer door opening. Push down to secure on the frame.



3. Place wet items on top of the rack. Allow space around items for air to circulate. The rack does not move, but the drum will rotate. Make sure items do not hang over the edges or between rack grille.
4. Close the door.
5. Select the desired cycle to match the fabrics in your load. Items containing foam, rubber, or plastic must be dried on a clothesline or by using an air cycle. Refer to the following table.

6. You must select a time by pressing the MORE TIME or LESS TIME pads. Refer to the following table.
7. Start the dryer.

To remove the dry rack, lift it straight up and out of the dryer.

NOTE: Check the lint screen and remove any lint accumulated from items dried on the rack.

Suggested Items for Rack Drying	Cycle Setting	Suggested Time* (minutes)
Washable wool items (block to shape and lay flat on rack)	Touch Up (Delicate)	20
Stuffed toys or pillows (cotton or polyester fiber filling)	Touch Up (Delicate)	30
Stuffed toys (foam rubber filled)	Air Dry	50
Tennis shoes	Air Dry	20

*Reset time as needed to complete drying.

DRYER CARE

Cleaning the Dryer Location

Keep dryer area clear and free from items that would obstruct the flow of combustion and ventilation air.

! WARNING



Explosion Hazard

Keep flammable materials and vapors, such as gasoline, away from dryer.

Place dryer at least 18 inches (46 cm) above the floor for a garage installation.

Failure to do so can result in death, explosion, or fire.

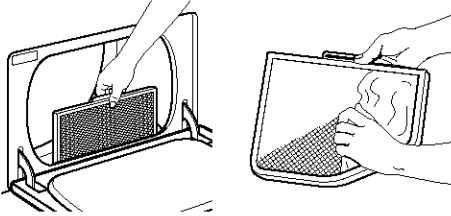
Cleaning the Lint Screen

Every load cleaning

The lint screen is located in the door of the dryer. Clean it before each load. A screen blocked by lint can increase drying time.

To clean

1. Pull the lint screen straight up. Roll lint off the screen with your fingers. Do not rinse or wash screen to remove lint. Wet lint is hard to remove.



2. Push the lint screen firmly back into place.

IMPORTANT:

- Do not run the dryer with the lint screen loose, damaged, blocked, or missing. Doing so can cause overheating and damage to both the dryer and fabrics.
- Some towels made of synthetic fibers and natural fibers (polyester and cotton blends) may shed more lint than other towels, causing your dryer's lint screen to fill up faster. Be sure to remove lint from the lint screen before and after drying new towels.
- If lint falls off the screen into the dryer during removal, check the exhaust hood and remove the lint. (See "Venting Requirements.")

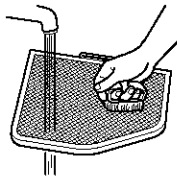
As needed cleaning

Laundry detergent and fabric softener residue can build up on the lint screen. This buildup can cause longer drying times for your clothes, or cause the dryer to stop before your load is completely dry. The screen is probably clogged if lint falls off the screen.

Clean the lint screen with a nylon brush every 6 months or more frequently if it becomes clogged due to a residue buildup.

To wash

1. Roll lint off screen with your fingers.
2. Wet both sides of lint screen with hot water.
3. Wet a nylon brush with hot water and liquid detergent. Scrub lint screen with the brush to remove residue buildup.



4. Rinse screen with hot water.
5. Thoroughly dry lint screen with a clean towel. Replace screen in dryer.

Cleaning the Dryer Interior

To clean the dryer drum

1. Make a paste with powdered laundry detergent and very warm water.
2. Apply paste to a soft cloth.
OR
Apply a liquid, non-flammable household cleaner to the stained area and rub with a soft cloth until all excess dye is removed.
3. Wipe drum thoroughly with damp cloth.
4. Tumble a load of clean cloths or towels to dry the drum.

NOTE: Garments which contain unstable dyes, such as denim blue jeans or brightly colored cotton items, may discolor the interior. These stains are not harmful to your dryer and will not stain future loads of clothes. Dry unstable dye items inside out to prevent dye transfer.

Removing Accumulated Lint

From Inside the Dryer Cabinet:

Lint should be removed every 2 years or more often, depending on dryer usage. Cleaning should be done by a qualified person.

From the Exhaust Vent:

Lint should be removed every 2 years, or more often, depending on dryer usage.

Vacation and Moving Care

Vacation care

Operate your dryer only when you are at home. If you will be on vacation or not using your dryer for an extended period of time, you should:

1. Unplug dryer or disconnect power.
2. Close shutoff valve in gas supply line.
3. Wash lint screen.

Moving care

1. Unplug dryer or disconnect power.
2. Close shutoff valve in gas supply line.
3. Disconnect gas supply line pipe and remove fittings attached to dryer pipe.
4. Cap the open fuel supply line.
5. Make sure leveling legs are secure in dryer base.
6. Use masking tape to secure dryer door.

Changing the Drum Light

The dryer light automatically turns on inside the dryer drum when you open the door.

To change the drum light

1. Unplug dryer or disconnect power.
2. Open the dryer door. Locate the light bulb cover on the back wall of the dryer. Remove the screw located in the lower right corner of the cover. Remove the cover.
3. Turn bulb counterclockwise. Replace the bulb only with a 10-watt appliance bulb. Replace the cover and secure with the screw.
4. Plug in dryer or reconnect power.

TROUBLESHOOTING

First try the solutions suggested here and possibly avoid the cost of a service call.

Dryer displaying code message

- **“PF” (power failure), check the following:**
Is the dryer connected to the power supply?

Was the dryer connected to a power supply during installation or a power failure?
Press STOP/CANCEL to clear display.

Was the drying cycle interrupted by a power failure?
Press START to restart the dryer.
 - **“E” Variable (E1, E2, E3) service codes:**
Call for service.
-

Clothes are not drying satisfactorily

- **Check the following:**
Is the lint screen clogged with lint?

Is the exhaust vent or outside exhaust hood clogged with lint, restricting air movement? Run the dryer for 5-10 minutes. Hold your hand under the outside exhaust hood to check air movement. If you do not feel air movement, clean exhaust system of lint or replace exhaust vent with heavy metal or flexible metal vent (see “Installation Instructions”).

Is the exhaust vent crushed or kinked? Replace with a heavy metal vent (see “Installation Instructions”).

Has a fuse blown, or a circuit breaker tripped?

Has an Air Dry cycle been selected? Select the right cycle for the types of garments being dried (see “Cycles”).

Is the automatic cycle ending early? The load may not be contacting the electronic sensor strips, level the dryer.

Is the valve open on the gas supply line?

Are fabric softener sheets blocking the grille? Use only one fabric softener sheet and only use it once.
 - **Is the dryer located in a room with temperature below 45°F (7°C)?**
Proper operation of dryer cycles requires temperatures above 45°F (7°C).
 - **Was a cold rinse water used? Was the load very wet?**
Expect longer drying times with items rinsed in cold water and with items that hold moisture (cottons).
 - **Is the load too large and heavy to dry quickly?**
Separate the load to tumble freely.
-

Dryer will not run

- **Check the following:**
Is the power cord plugged in?

Has a fuse blown, or has a circuit breaker tripped?

Was a regular fuse used? Use a time-delay fuse.

Is the dryer door firmly closed?

Was the START button firmly pressed?

Is a cycle selected?
-

Unusual sounds

- **Has the dryer had a period of non-use?**
If the dryer hasn't been used for a while, there may be a thumping sound during the first few minutes of operation.

The gas valve clicking is a normal operating sound.
-

Lint on load

- **Is the lint screen clogged?**
Clean lint screen. Check for air movement.
 - **Is load properly sorted?**
Sort lint givers (towels, chenille) from lint takers (corduroy, synthetics). Also sort by color.
 - **Is the load too big or too heavy?**
Dry smaller loads so lint can be carried to the lint screen.
 - **Was the load overdried?**
Use correct dryer settings for load type (see “Changing Cycles, Options and Modifiers”). Overdrying can cause lint-attracting static electricity.
 - **Was paper or tissue left in pockets?**
 - **Is pilling being mistaken for lint?**
Pilling (surface fuzz) is caused by normal wear and laundering.
-

Stains on load or color change

- **Was dryer fabric softener properly used?**
Add dryer fabric softener sheets at the beginning of the cycle when the load is cold. Do not add fabric softener sheets to a warm load.
 - **Were items soiled when placed in the dryer?**
Items should be clean before being dried.
 - **Were items properly sorted?**
Sort light colors from dark colors. Sort colorfast items from noncolorfast items.
-

Items shrinking

- **Was the dryer overloaded?**
Dry smaller loads that can tumble freely.
 - **Did the load overdry?**
Check the manufacturer's care label. Match dryer setting to load type (see "Cycles").
-

Loads are wrinkled

- **Was load removed from dryer at the end of the cycle?**
 - **Was dryer overloaded?**
Dry smaller loads that can tumble freely.
 - **Did load overdry?**
Check the manufacturer's care label. Match dryer setting to load type (see "Cycles").
-

Odors

- **Have you recently been painting, staining or varnishing in the area where your dryer is located?**
If so, ventilate the area. When the odors or fumes are gone from the area, re-wash and dry the clothing.
-

Garment damage

- **Check the following:**
Were zippers, snaps, and hooks left open?
Were strings and sashes tied to prevent tangling?
Were care label instructions followed?
Were items damaged before drying?
-

SERVICE

Master Protection Agreements

Congratulations on making a smart purchase. Your new Kenmore® appliance is designed and manufactured for years of dependable operation. But like all products, it may require preventive maintenance or repair from time to time. That's when having a Master Protection Agreement can save you money and aggravation.

Purchase a Master Protection Agreement now and protect yourself from unexpected hassle and expense.

The Master Protection Agreement also helps extend the life of your new appliance. Here's what's included in the Agreement:

- ✓ **Expert service** by our 12,000 professional repair specialists
- ✓ **Unlimited service and no charge** for parts and labor on all covered repairs
- ✓ **"No-lemon" guarantee** – replacement of your covered product if more than three product failures occur within twelve months
- ✓ **Product replacement** if your covered product can't be fixed
- ✓ **Annual Preventive Maintenance Check** at your request – no extra charge
- ✓ **Fast help by phone** – non-technical and instructional assistance on products repaired in your home, plus convenient repair scheduling
- ✓ **Power surge protection** against electrical damage due to power fluctuations
- ✓ **Rental reimbursement** if repair of your covered product takes longer than promised

Once you purchase the Agreement, a simple phone call is all that it takes for you to schedule service. You can call anytime day or night, or schedule a service appointment online.

Sears has over 12,000 professional repair specialists, who have access to over 4.5 million quality parts and accessories. That's the kind of professionalism you can count on to help prolong the life of your new purchase for years to come. Purchase your Master Protection Agreement today!

Some limitations and exclusions apply. For prices and information call 1-800-827-6655.

Sears Installation Service

For Sears guaranteed professional installation of home appliances and items like garage door openers and water heaters, in the U.S.A. call **1-800-4-MY-HOME®**.

Notes

Get it fixed, at your home or ours!

Your Home

For repair – **in your home** – of all major brand appliances, lawn and garden equipment, or heating and cooling systems, **no matter who made it, no matter who sold it!**

For the replacement parts, accessories and owner's manuals that you need to do-it-yourself.

For Sears professional installation of home appliances and items like garage door openers and water heaters.

1-800-4-MY-HOME® (1-800-469-4663)

Call anytime, day or night (U.S.A. and Canada)

www.sears.com www.sears.ca

Our Home

For repair of carry-in items like vacuums, lawn equipment, and electronics, call or go on-line for the location of your nearest **Sears Parts & Repair Center.**

1-800-488-1222

Call anytime, day or night (U.S.A. only)

www.sears.com

To purchase a protection agreement on a product serviced by Sears:

1-800-827-6655 (U.S.A.)

1-800-361-6665 (Canada)

Para pedir servicio de reparación a domicilio, y para ordenar piezas:

1-888-SU-HOGARSM

(1-888-784-6427)

Au Canada pour service en français:

1-800-LE-FOYER^{MC}

(1-800-533-6937)

www.sears.ca

SEARS