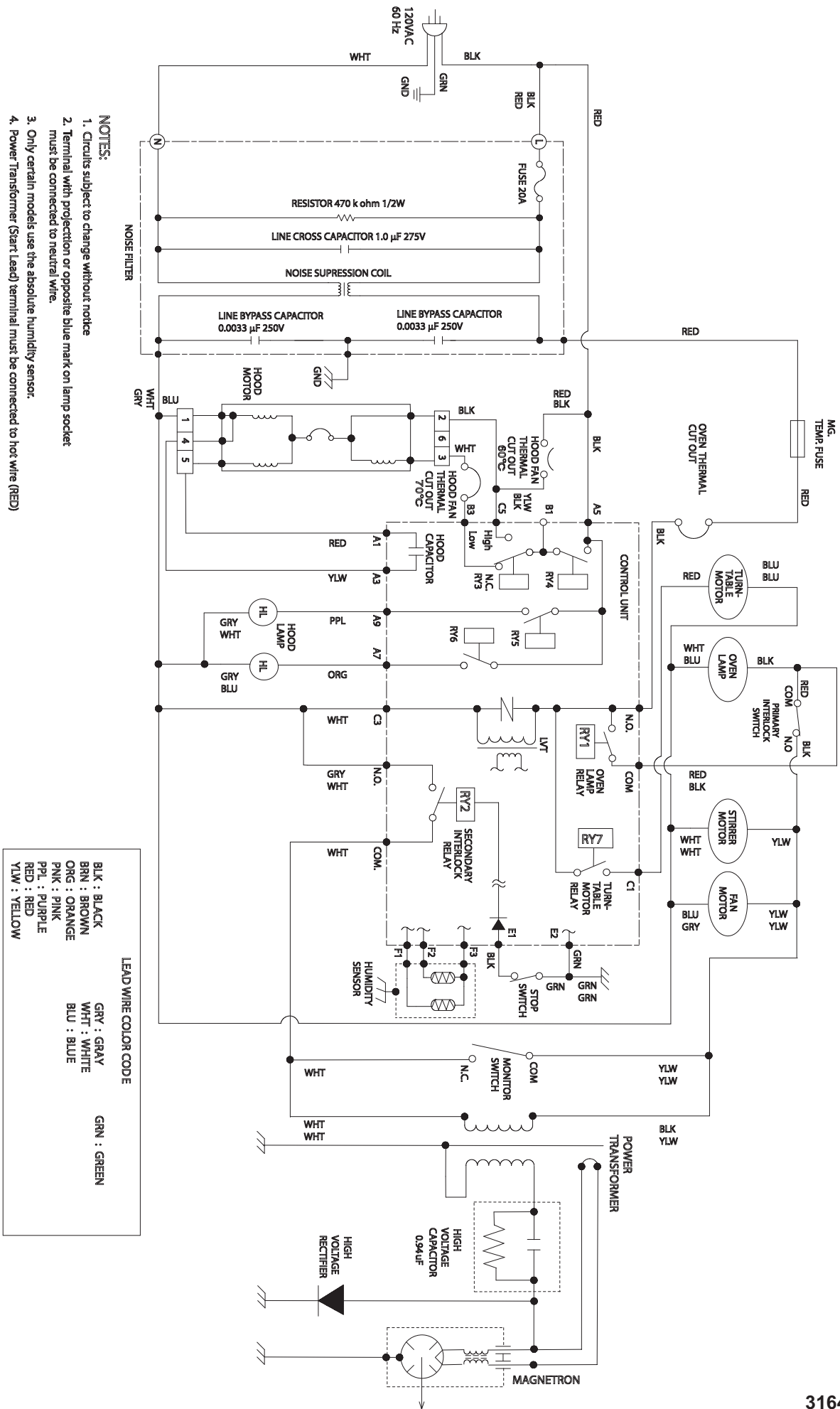


OR7 MODEL

SCHEMATIC DIAGRAM (DOOR CLOSED COOK OFF CONDITION)



- NOTES:**
1. Circuits subject to change without notice
 2. Terminal with projection or opposite blue mark on lamp socket must be connected to neutral wire.
 3. Only certain models use the absolute humidity sensor.
 4. Power Transformer (Start Lead) terminal must be connected to hot wire (RED)

LEAD WIRE COLOR CODE	
BLK : BLACK	GRY : GRAY
BRN : BROWN	WHT : WHITE
ORG : ORANGE	BLU : BLUE
PNK : PINK	
PPL : PURPLE	
RED : RED	
YLW : YELLOW	
	GRN : GREEN