

# Amana<sup>®</sup> Automatic Washer

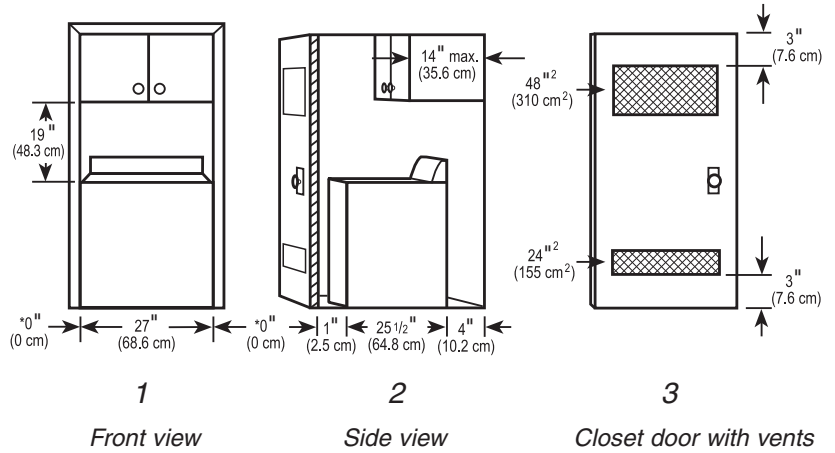
## PRODUCT MODEL NUMBERS

NTW5205T      NTW5500T  
 NTW5245T      NTW5700T  
 NTW5400T

**Electrical:** A 120-volt, 60-Hz, AC-only, 15- or 20-amp, fused electrical supply is required. A time-delay fuse or circuit breaker is recommended. It is recommended that a separate circuit serving only this appliance be provided.

## RECESSED AREA AND CLOSET INSTALLATION

The dimensions shown are for the recommended spacing allowed (1 and 2), except the closet door ventilation openings. The dimensions shown for the closet door ventilation openings (3) are the minimum required.



Additional spacing of 1" (2.5 cm) on all sides of the washer is recommended to reduce noise transfer.

If a closet door is installed, the minimum air openings in the top and bottom of the door are required (3). Louvered doors with air openings in the top and bottom are acceptable.

## DRAIN SYSTEM OPTIONS

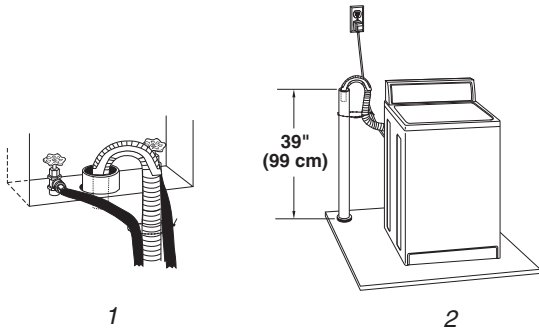
### Standpipe drain system - wall or floor (view 1 & 2)

The standpipe drain requires a minimum diameter standpipe of 2" (5 cm). The minimum carry-away capacity can be no less than 17 gal. (64 L) per minute.

A 1-1/4" (3.2 cm) diameter to 1" (2.5 cm) diameter standpipe adapter kit is available.

The top of the standpipe must be at least 39" (99 cm) high and no higher than 96" (244 cm) from the bottom of the washer.

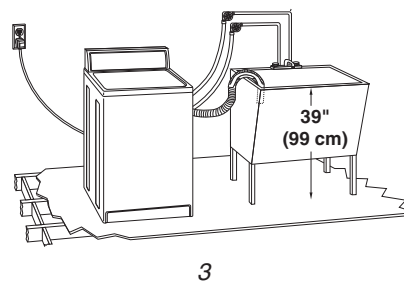
To avoid siphoning, no more than 8" (20.3 cm) of drain hose should be inside the standpipe. Secure drain hose with beaded tie strap.



### Laundry tub drain system (view 3)

The laundry tub needs a minimum 20 gal. (76 L) capacity. The top of the laundry tub must be at least 39" (99 cm) above the floor and no higher than 96" (244 cm) from the bottom of the washer.

To avoid siphoning, no more than 8" (20.3 cm) of drain hose should be below the top of the wash tub. Secure drain hose with beaded tie strap.



### Floor drain system (view 4)

The floor drain system requires a siphon break that may be purchased separately. The siphon break must be a minimum of 28" (71 cm) from the bottom of the washer. Additional hoses might be needed.

